

No
Diagram
Available

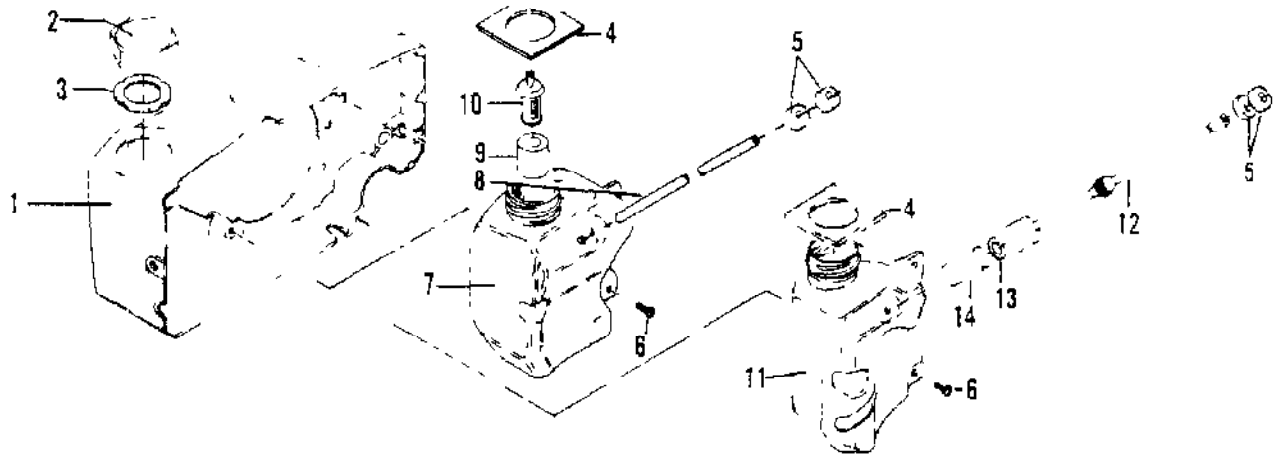
Parts List
Only

| Ref # | Part Number | Qty | Description |
|-------|-------------|-----|---|
| | 215432 | | Pressure Test Tool |
| | 63137 | | Adaptor - Exhaust |
| | 94415 | | Adaptor - Intake |
| | 84223 | | Kit - Piston Tools |
| | 95218 | | Air Filter - Felt |
| | 214221 | | Scrench |
| | 214195 | | Gun-Lube (Disposable) |
| | 214194 | | Gun-Lube (Deluxe) |
| | 85707 | | Case - Custom Lubricant 40:1 Case contains 24 cans 16 ounces |
| | 93770 | | Case - Custom Lubricant 40:1 Case Contains 48 cans 6 ounces |
| | 95159 | | Allen Wrench - 5mm |
| | 69794 | | Locquic |
| | 110083 | | R.T.V. Sealant |
| | 94121 | | Kit - Carrying Case 20 Inches |
| | 214203 | | Scabbard 20 Inches |
| | 214208 | | Kit - Spike |

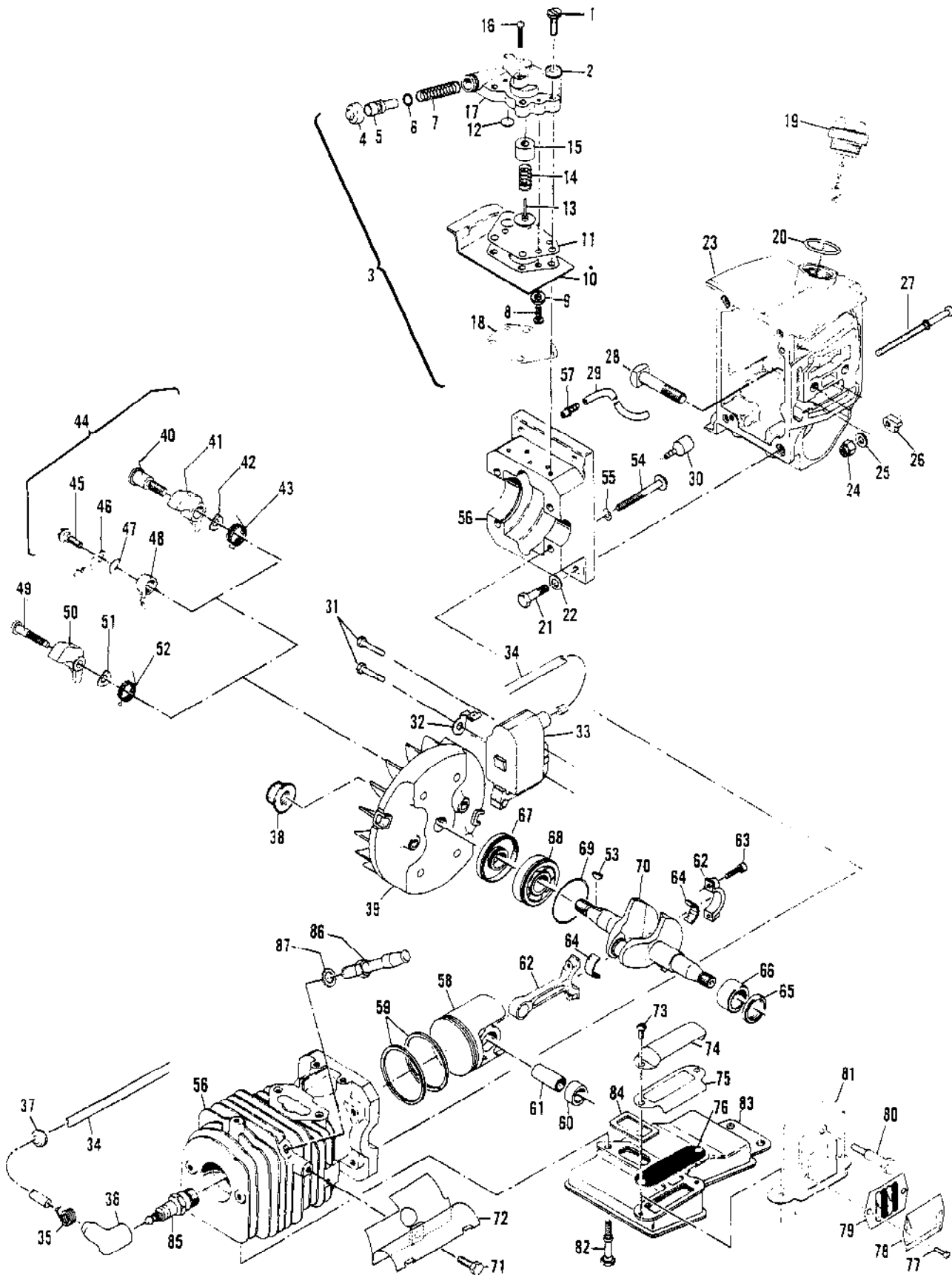
No
Diagram
Available

Parts List
Only

| Ref # | Part Number | Qty | Description |
|-------|-------------|-----|---------------------------------------|
| | 214237 | | Bar Sprocket Tip 16" |
| | 218839-12 | | Chain PMR370 GLX-60CL |
| | 219132 | | File Plate |
| | 219161 | | Round File 7/32" Round File Twin Pack |
| | 56698-23 | | Round File 7/32" Round File 12-Pack |
| | 217025 | | Bar Sprocket Tip 18" |
| | 218062-12 | | Chain PMR370 GLX-66CL |
| | 219132 | | File Plate |
| | 219161 | | Round File 7/32" Round File Twin Pack |
| | 56698-23 | | Round File 7/32" Round File 12-Pack |
| | 214238 | | Bar Sprocket Tip 20" |
| | 218069-12 | | Chain PMR370 GLX-70CL |
| | 219132 | | File Plate |
| | 219161 | | Round File 7/32" Round File Twin Pack |
| | 56698-23 | | Round File 7/32" Round File 12-Pack |



| Ref # | Part Number | Qty | Description |
|-------|-------------|-----|---|
| 1 | 216154 | 1 | Housing - Fan |
| 2 | 216157 | 1 | Cap - Fuel (vented) |
| 3 | 94707 | 1 | Gasket - Fuel Cap |
| 4 | 93251 | 1 | Seal - Fuel Vent |
| 5 | 92161 | 1 | Seal - Air Box |
| 6 | 120068 | 2 | Screw - Pan Hd M4 x 12 (Sems) |
| 7 | | 1 | Tank Asy - Fuel Not available separately. |
| 8 | 91994 | 1 | Hose - Fuel |
| 9 | 61159 | 1 | Filter - Fuel Pickup |
| 10 | 215714 | 1 | Pickup Asy - Fuel |
| 11 | 94901 | 1 | Tank Asy - Fuel |
| 12 | 94899 | 1 | Hose Asy - Fuel |
| 13 | 100440 | 1 | Washer - 5/16 |
| 14 | 63932 | 1 | Filter - Fuel |



| Ref # | Part Number | Qty | Description |
|-------|-------------|-----|---|
| 1 | 120036 | 4 | Screw - M4 x 16 (Sems) |
| 2 | 67177 | 4 | Washer - Insulating |
| 3 | 219380 | 1 | Pump Asy-Oiler (Pulse) |
| 4 | 215151 | 1 | Cap |
| 5 | 93933 | 1 | Plunger |
| 6 | 105614 | 1 | "O" Ring |
| 7 | 66687 | 1 | Spring - Plunger |
| 8 | 110706 | 3 | Screw - 8-18 x 1/2 |
| 9 | 216354 | 1 | Gasket - Washer |
| 10 | 217218 | 1 | Cover - Diaphragm |
| 11 | 216992 | 1 | Diaphragm |
| 12 | | 1 | Valve Not available separately. |
| 13 | 91945 | 1 | Piston Assembly |
| 14 | 94322 | 1 | Spring - Return |
| 15 | 91944 | 1 | Sleeve |
| 16 | 218530 | 1 | Screw - 6-40 x .875 |
| 17 | 219336 | 1 | Body Assembly |
| 18 | 91950 | 1 | Gasket - Oil Pump |
| 19 | 216052 | 1 | Cap/Retainer Asy - Oil |
| 20 | 101148 | 1 | "O" Ring |
| 21 | 120006 | 4 | Screw - M6.3 x 24 |
| 22 | 100004 | 4 | Washer - Plain 1/4" |
| 23 | 218583 | 1 | Tank Asy-Oil |
| 24 | 110950 | 1 | Nut - Lock |
| 25 | 102115 | 1 | Washer - Plain |
| 26 | 91982 | 1 | Nut - Bar Adjustment |
| 27 | 94362 | 1 | Screw - Bar Adjustment |
| 28 | 92459 | 2 | Bolt - Bar |
| 29 | 92616 | 1 | Hose - Oil Pickup |
| 30 | 92465 | 1 | Pickup - Oil |
| 31 | 120037 | 2 | Screw - M5 x 25 (Sems) 55-60 In. Lb. Torque |
| 32 | 84686-01 | 1 | Wire Asy - Ground |
| 33 | 95553 | 1 | Ignition Asy - Electronic |
| 34 | 95270 | 1 | Wire Asy - Spark |
| 35 | 102556 | 1 | Connector - Spark Plug |
| 36 | 95266 | 1 | Boot - Spark Plug |
| 37 | 110995 | 1 | Grommet - Spark Plug Wire |
| 38 | 94500 | 1 | Nut - Flange M10 265-325 In. Lb. Torque |
| 39 | 95324 | 1 | Flywheel/Pawl Asy |
| 40 | 95362 | 2 | Screw - Pawl |
| 41 | 95361 | 2 | Pawl - Starter (Plastic) |
| 42 | 213253 | 2 | Washer - Spring |
| 43 | 93144 | 2 | Spring - Pawl |
| 44 | 215739 | 1 | Kit - Flywheel/Pawl |
| 45 | 93464 | 2 | Screw - Pawl |
| 46 | 93198 | 2 | Pawl - Starter (Metal) |
| 47 | 93469 | 2 | Washer - Spring |
| 48 | 214102 | 2 | Spring - Pawl |
| 49 | 93146 | 2 | Pin - Pawl |
| 50 | 93145 | 2 | Pawl - Starter (Plastic) |
| 51 | 93469 | 2 | Washer - Spring |
| 52 | 93144 | 2 | Spring - Pawl |
| 53 | 100106 | 1 | Key - Woodruff |
| 54 | 62106 | 4 | Screw - 12-24 x 1 3/4 70-75 In. Lb. Torque |
| 55 | 111025 | 4 | Washer - Sealing |

| Ref # | Part Number | Qty | Description |
|-------|-------------|-----|--|
| 56 | 94536 | 1 | Cyl/C'Case Asy |
| | 218814 | 1 | Cyl/C'Case Asy |
| 57 | 92096 | 1 | Nipple - Oil Line |
| 58 | 94130 | 1 | Piston Asy |
| | 219269 | 1 | Piston Asy |
| 59 | 94132 | 1 | Ring Set - Piston |
| | 92517 | 1 | Ring Set - Piston |
| 60 | 111021 | 2 | Bearing - Needle |
| 61 | 87710 | 1 | Pin - Piston |
| 62 | 85352 | 1 | Rod Asy - Connecting |
| 63 | 61627-01 | 2 | Screw - Con Rod |
| 64 | 63225 | 1 | Bearing - Roller (Set of 20) |
| 65 | 110260 | 1 | Seal - Oil |
| 66 | 104357 | 1 | Bearing - Needle |
| 67 | 67906 | 1 | Seal - Oil |
| 68 | 67905 | 1 | Bearing - Ball |
| 69 | 63464 | 1 | Ring - Snap |
| 70 | 217041 | 1 | Crankshaft |
| 71 | 102762 | 1 | Screw - 10-24 x 1/2 55-60 In. Lb. Torque |
| 72 | 217607 | 1 | Deflector - Exhaust |
| 73 | 120038 | 2 | Screw - M4 x 8 34-45 in. Lb. Torque |
| 74 | 93604 | 1 | Outlet - Muffler |
| 75 | 93481 | 1 | Plate - Deflector |
| 76 | 214205 | 1 | Screen - Muffler |
| 77 | 120087 | 2 | Screw - M3.5 x 7.5 30-35 In. Lb. Torque |
| 78 | 93482 | 1 | Cover - Chamber |
| 79 | 93605 | 1 | Screen - Muffler |
| 80 | 95445 | 1 | Screw - Muffler 55-60 In. Lb. Torque |
| 81 | 216254 | 1 | Chamber Asy - Muffler |
| 82 | 95444 | 2 | Screw - Muffler 65-75 in. Lb. Torque |
| 83 | 93603 | 1 | Muffler Asy |
| 84 | 84007 | 1 | Gasket - Muffler |
| 85 | 62345 | 1 | Spark, Plug - AC CS45T |
| | 93017 | 1 | Spark Plug - CH RDJ6 120 In. Lb. Torque |
| 86 | 214304 | 1 | Valve - DSP |
| 87 | 214765 | 1 | Washer - DSP Valve |