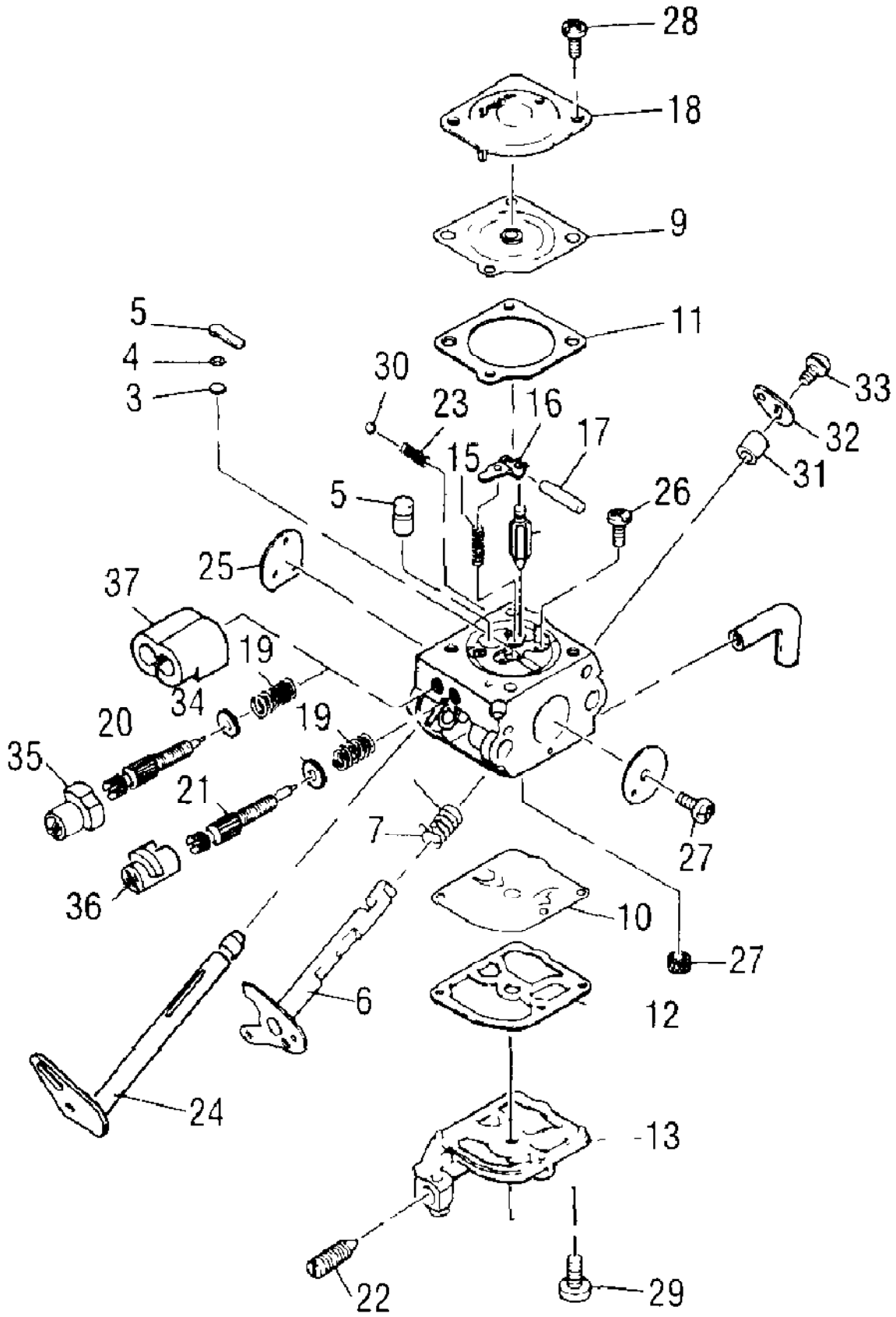


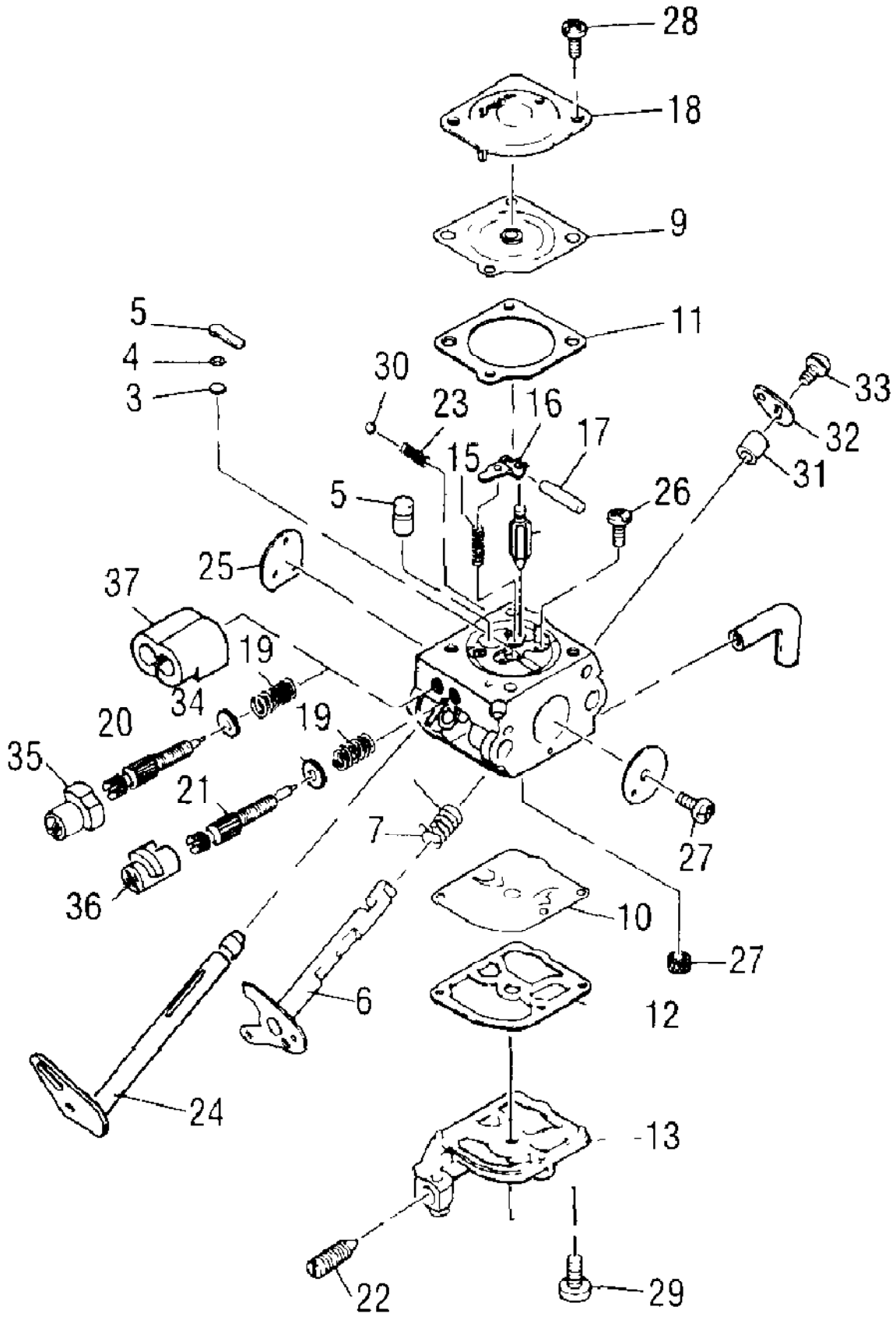
No  
Diagram  
Available  
  
Parts List  
Only

| Ref # | Part Number | Qty | Description             |
|-------|-------------|-----|-------------------------|
|       | 21423533    |     | BAR MPG370GLX49cl 14"   |
|       | 21423633    |     | BAR MPG370GLX54cl 16"   |
|       | 21927633    |     | BAR MPG370GLX60cl 18"   |
|       | 21491933    |     | CHAIN MPG370GLX49cl 14" |
|       | 21492533    |     | CHAIN MPG370GLX54cl 16" |
|       | 21927533    |     | CHAIN MPG370GLX60cl 18" |
|       | 30199233    |     | FILE AND GUIDE          |
|       | 21421733    |     | FILE                    |



| Ref # | Part Number | Qty | Description  |
|-------|-------------|-----|--|
|       | 32365304    |     | Carburetor Walbro WT 438 Distributor stocked. Medium to slow moving part.        |
|       | 32365404    |     | Carburetor Walbro WT 439 Distributor stocked. Medium to slow moving part.        |
| 1     |             | 1   | Strainer Not available individually, included in Carburetor Asy.                 |
| 2     |             | 1   | Plug Welch Not available individually, included in Carburetor Asy.               |
| 3     |             | 1   | Valve Check Not available individually, included in Carburetor Asy.              |
| 4     |             | 1   | Retainer, Check Valve Not available individually, included in Carburetor Asy.    |
| 5     |             | 1   | Nozzle Asy Check Valve Not available individually, included in Carburetor Asy.   |
| 6     |             | 1   | Shaft Asy, Throttle Not available individually, included in Carburetor Asy.      |
| 7     |             | 1   | Spring Throttle Return Not available individually, included in Carburetor Asy.   |
| 8     |             | 1   | Valve, Throttle Not available individually, included in Carburetor Asy.          |
| 9     |             | 1   | Diaphragm Asy, metering Not available individually, included in Carburetor Asy.  |
| 10    |             | 1   | Diaphragm, Pump Not available individually, included in Carburetor Asy.          |
| 11    |             | 1   | Gasket, metering Chamber Not available individually, included in Carburetor Asy. |
| 12    |             | 1   | Gasket Pump Not available individually, included in Carburetor Asy.              |
| 13    |             | 1   | Cover Pump Not available individually, included in Carburetor Asy.               |
| 14    |             | 1   | Valve Inlet Needle Not available individually, included in Carburetor Asy.       |
| 15    |             | 1   | Spring, metering Lever Not available individually, included in Carburetor Asy.   |
| 16    |             | 1   | Lever metering Not available individually, included in Carburetor Asy.           |
| 17    |             | 1   | Pie Not available individually, included in Carburetor Asy.                      |
| 18    |             | 1   | Cover metering Chamber Not available individually, included in Carburetor Asy.   |
| 19    |             | 2   | Spring Adjust Screw Not available individually, included in Carburetor Asy.      |
| 20    |             | 1   | Screw Main Mixture Not available individually, included in Carburetor Asy.       |

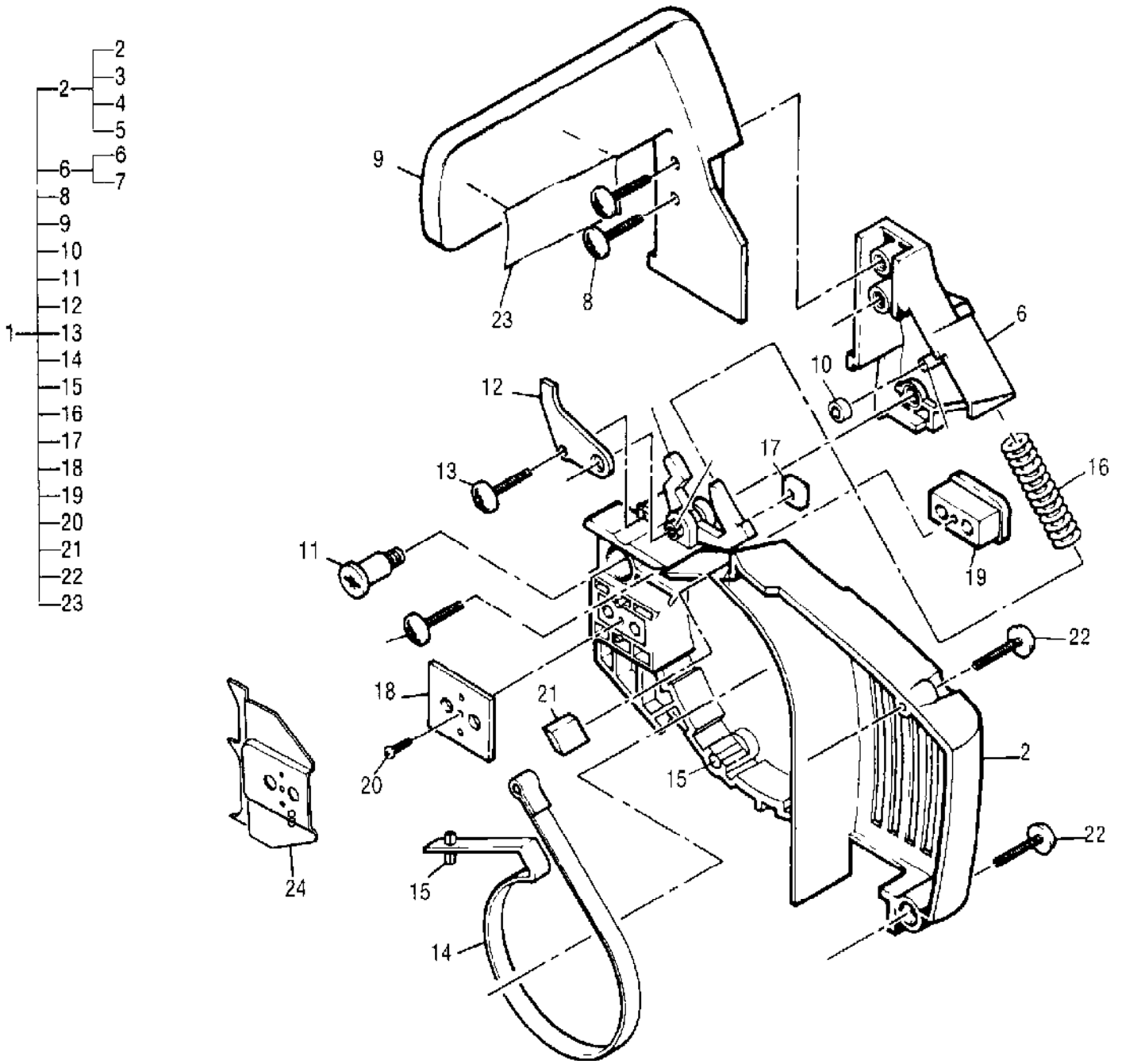
| Ref # | Part Number | Qty | Description  |
|-------|-------------|-----|--|
| 21    |             | 1   | Screw, Idle Mixture Not available individually, included in Carburetor Asy.                    |
| 22    |             | 1   | Screw Throttle Adjust Not available individually, included in Carburetor Asy.                  |
| 23    |             | 4   | Spring Friction Not available individually, included in Carburetor Asy.                        |
| 24    |             | 1   | Shaft Asy Choke Not available individually, included in Carburetor Asy.                        |
| 25    |             | 1   | Valve, Choke Not available individually, included in Carburetor Asy.                           |
| 26    |             | 1   | Screw, Pin Not available individually, included in Carburetor Asy.                             |
| 27    |             | 1   | Screw Throttle/Choke Valve Not available individually, included in Carburetor Asy.             |
| 28    |             | 2   | Screw metering Chamber Not available individually, included in Carburetor Asy.                 |
| 29    |             | 1   | Screw, Pump Cover Not available individually, included in Carburetor Asy.                      |
| 30    |             | 1   | Ball, Steel Not available individually, included in Carburetor Asy.                            |
| 31    |             | 1   | Collar Not available individually, included in Carburetor Asy.                                 |
| 32    |             | 1   | Lever, Throttle Not available individually, included in Carburetor Asy.                        |
| 33    |             | 1   | Screw Throttle Lever Not available individually, included in Carburetor Asy.                   |
| 34    |             | 2   | Washer Limiter Not available individually, included in Carburetor Asy.                         |
| 35    | 325465      | 1   | Cap, Limiter, Hi Included in Carburetor Asy.; Distributor stocked. Medium to slow moving part. |
| 36    | 325466      | 1   | Cap Limiter Lo Included in Carburetor Asy.; Distributor stocked. Medium to slow moving part.   |
| 37    |             | 1   | Retainer, Limiter Not available individually, included in Carburetor Asy.                      |
|       | 324013      |     | Kit, Carburetor Repair A1128WT   |
|       | 324009      |     | Kit, Gasket/Diaphragm B1110WT  |



| Ref # | Part Number | Qty | Description  |
|-------|-------------|-----|--|
|       | 32365303    |     | Carburetor, Zama CU1M28C Distributor stocked. Medium to slow moving part.        |
|       | 32365403    |     | Carburetor, Zama CU1M33C Distributor stocked. Medium to slow moving part.        |
|       | 32494701    |     | Carburetor, Zama C1QM36 Distributor stocked. Medium to slow moving part.         |
| 1     |             | 1   | Strainer Not available individually. Included in Carburetor Asy.                 |
| 2     |             | 1   | Plug, Welch Not available individually. Included in Carburetor Asy.              |
| 3     |             | 1   | Valve, Check Not available individually. Included in Carburetor Asy.             |
| 4     |             | 1   | Retainer, Check Valve Not available individually. Included in Carburetor Asy.    |
| 5     |             | 1   | Nozzle Asy, Check Valve Not available individually. Included in Carburetor Asy.  |
| 6     |             | 1   | Shaft Asy, Throttle Not available individually. Included in Carburetor Asy.      |
| 7     |             | 1   | Spring, Throttle Return Not available individually. Included in Carburetor Asy.  |
| 8     |             | 1   | Valve, Throttle Not available individually. Included in Carburetor Asy.          |
| 9     |             | 1   | Diaphragm Asy, metering Not available individually. Included in Carburetor Asy.  |
| 10    |             | 1   | Diaphragm, Pump Not available individually. Included in Carburetor Asy.          |
| 11    |             | 1   | Gasket, metering Chamber Not available individually. Included in Carburetor Asy. |
| 12    |             | 1   | Gasket, Pump Not available individually. Included in Carburetor Asy.             |
| 13    |             | 1   | Cover, Pump Not available individually. Included in Carburetor Asy.              |
| 14    |             | 1   | Valve, Inlet Needle Not available individually. Included in Carburetor Asy.      |
| 15    |             | 1   | Spring, metering Lever Not available individually. Included in Carburetor Asy.   |
| 16    |             | 1   | Lever, metering Not available individually. Included in Carburetor Asy.          |
| 17    |             | 1   | Pin Not available individually. Included in Carburetor Asy.                      |
| 18    |             | 1   | Cover, metering Chamber Not available individually. Included in Carburetor Asy.  |
| 19    |             | 2   | Spring, Adjust Screw Not available individually. Included in Carburetor Asy.     |

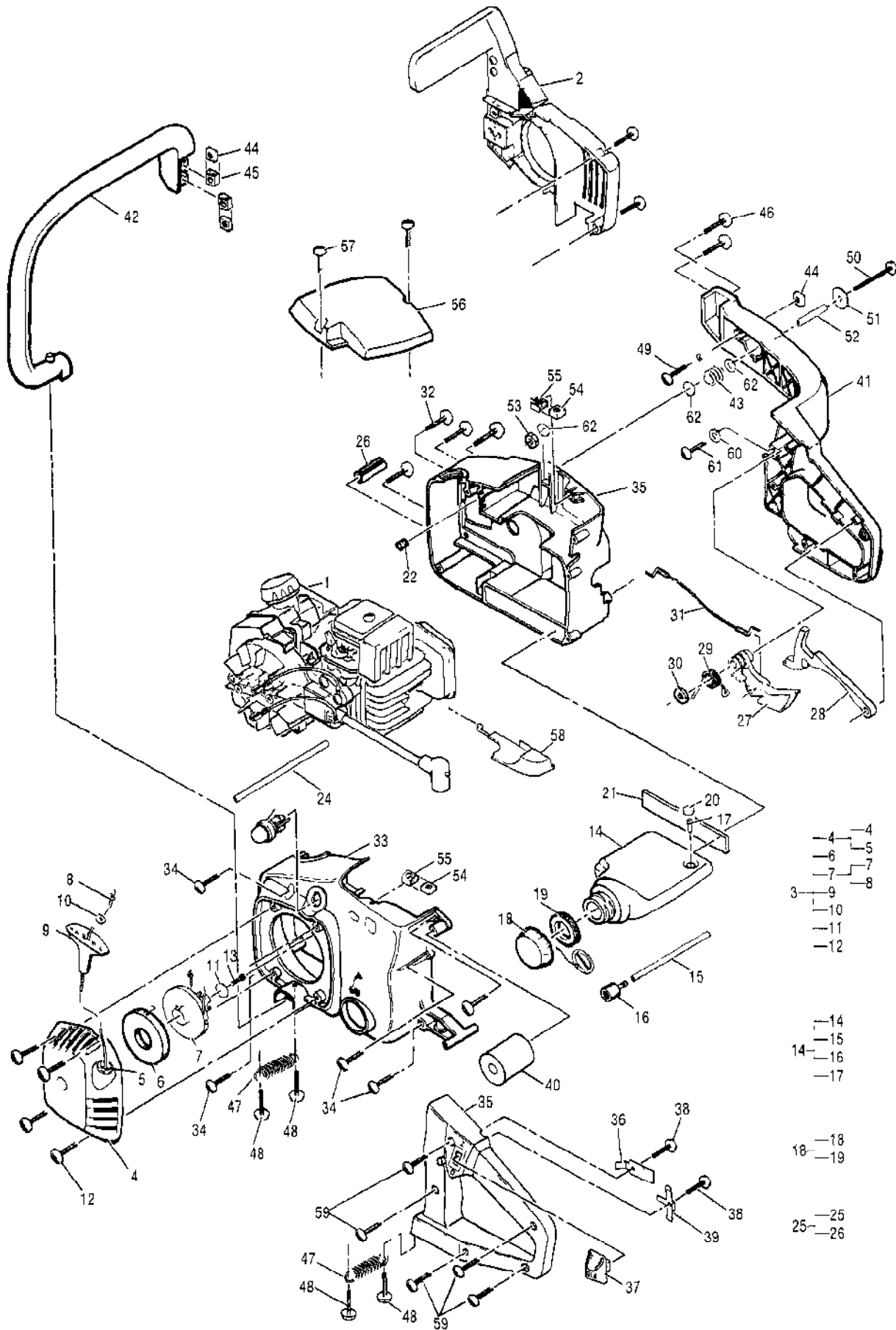
| Ref # | Part Number | Qty | Description  |
|-------|-------------|-----|--|
| 20    |             | 1   | Screw, Main Mixture Not available individually. Included in Carburetor Asy.                    |
| 21    |             | 1   | Screw, Idle Mixture Not available individually. Included in Carburetor Asy.                    |
| 22    |             | 1   | Screw,Throttle Adjust Not available individually. Included in Carburetor Asy.                  |
| 23    |             | 4   | Spring, Friction Not available individually. Included in Carburetor Asy.                       |
| 24    |             | 1   | Shaft Asy, Choke Not available individually. Included in Carburetor Asy.                       |
| 25    |             | 1   | Valve, Choke Not available individually. Included in Carburetor Asy.                           |
| 26    |             | 1   | Screw, Pin Not available individually. Included in Carburetor Asy.                             |
| 27    |             | 1   | Screw, Throttle/Choke Valve Not available individually. Included in Carburetor Asy.            |
| 28    |             | 2   | Screw, metering Chamber Not available individually. Included in Carburetor Asy.                |
| 29    |             | 1   | Screw, Pump Cover Not available individually. Included in Carburetor Asy.                      |
| 30    |             | 1   | Ball, Steel Not available individually. Included in Carburetor Asy.                            |
| 31    |             | 1   | Collar Not available individually. Included in Carburetor Asy.                                 |
| 32    |             | 1   | Lever, Throttle Not available individually. Included in Carburetor Asy.                        |
| 33    |             | 1   | Screw, Throttle Lever Not available individually. Included in Carburetor Asy.                  |
| 34    |             | 2   | Washer, Limiter Not available individually. Included in Carburetor Asy.                        |
| 35    | 111216      | 1   | Cap, Limiter, Hi Included in Carburetor Asy.; Distributor stocked. Medium to slow moving part. |
| 36    | 111217      | 1   | Cap, Limiter, Lo Included in Carburetor Asy.; Distributor stocked. Medium to slow moving part. |
| 37    |             | 1   | Retainer, Limiter Not available individually. Included in Carburetor Asy.                      |
|       | 301041      |     | Kit, Carburetor Repair RB-39   |
|       | 301042      |     | Kit, Gasket/Diaphragm GND-35   |





| Ref # | Part Number | Qty | Description  |
|-------|-------------|-----|--|
| 1     | 301558      | 1   | Brake Kit Asy, Yellow Choose appropriate color; Factory stocked. Slow moving part.   |
|       | 301557      | 1   | Brake Kit Asy, Black Choose appropriate color; Factory stocked. Slow moving part.    |
| 2     | 301559      | 1   | Housing Kit Asy, Yellow Choose appropriate color; Factory stocked. Slow moving part. |
|       | 301560      | 1   | Housing Kit Asy, Black Choose appropriate color; Factory stocked. Slow moving part.  |
| 3     | 216755      | 1   | Latch, Chain Brake Factory stocked. Slow moving part.                                |
| 4     |             | 1   | Dowel, Spring Not available individually.  |
| 5     |             | 2   | Pin, Dowel Not available individually.   |
| 6     | 301038      | 1   | Lever, Actuating Distributor stocked. Medium to slow moving part.                    |
| 7     |             | 1   | Pin, Dowel Not available individually.   |
| 8     | 111226      | 3   | Screw, 10-24 x .62 Tr Hd Torx Dealer stocked. Fast to medium moving part.            |
| 9     | 323082      | 1   | Guard, Hand Dealer stocked. Fast to medium moving part.                              |
| 10    | 224849      | 1   | Roller Distributor stocked. Medium to slow moving part.                              |
| 11    | 224847      | 1   | Screw, Shoulder Distributor stocked. Medium to slow moving part.                     |
| 12    | 224848      | 1   | Stop, Brake Distributor stocked. Medium to slow moving part.                         |
| 13    | 300294      | 1   | Screw, 8-16 x .75 Tr Hd Plastite Dealer stocked. Fast to medium moving part.         |
| 14    | 301037      | 1   | Band, Brake Dealer stocked. Fast to medium moving part.                              |
| 15    |             | 1   | Pin, Spring (.125 x .50) Not available individually.                                 |
| 16    | 322204      | 1   | Spring, Compression Dealer stocked. Fast to medium moving part.                      |
| 17    | 218005      | 1   | Nut, Square 10-24 Dealer stocked. Fast to medium moving part.                        |
| 18    | 300275      | 1   | Shield Distributor stocked. Medium to slow moving part.                              |
| 19    | 300271      | 1   | Spacer, Bar Pad Distributor stocked. Medium to slow moving part.                     |
| 20    | 111101      | 1   | Screw, 4-40 x 5/16 Taptite Factory stocked. Slow moving part.                        |
| 21    | 322194      | 1   | Seal, Foam Dealer stocked. Fast to medium moving part.                               |
| 22    | 300299      | 2   | Screw, 8-16 x 1.0 Tr Hd Plastite Distributor stocked. Medium to slow moving part.    |

| Ref # | Part Number | Qty | Description   |
|-------|-------------|-----|---|
| 23    | 4670341     | 1   | Label, Safety Distributor stocked. Medium to slow moving part.                      |
| 24    | 322181      | 1   | Spike, Bucking Optional equipment; Distributor stocked. Medium to slow moving part. |



| Ref # | Part Number | Qty | Description   |
|-------|-------------|-----|---|
| 1     |             |     | Powerhead Asy See "Powerhead Assembly" illustration and parts list.                                       |
| 2     |             |     | Chain Brake Asy See "Chain Brake Assembly" illustration and parts list.                                   |
| 3     | 300858      | 1   | Starter Housing Asy, Grey Choose appropriate color; Factory stocked. Slow moving part.                    |
|       | 300264      | 1   | Starter Housing Asy, Yellow Choose appropriate color; Dealer stocked. Fast to medium moving part.         |
|       | 301078      | 1   | Starter Housing Asy, Black Choose appropriate color; Factory stocked. Slow moving part.                   |
| 4     | 301651      | 1   | Housing/Rope Guide Asy, Grey Choose appropriate color; Factory stocked. Slow moving part.                 |
|       | 301044      | 1   | Housing/Rope Guide Asy, Yellow Choose appropriate color; Distributor stocked. Medium to slow moving part. |
|       | 301654      | 1   | Housing/Rope Guide Asy, Black Choose appropriate color; Factory stocked. Slow moving part.                |
| 5     |             | 1   | Rope Guide Not available individually   |
| 6     | 300475      | 1   | Spring, Starter Rewind Dealer stocked. Fast to medium moving part.  |
| 7     | 301043      | 1   | Rope/Drum Asy (32cc) Dealer stocked. Fast to medium moving part.  |
| 8     | 300300      | 1   | Rope, Starter 50 inch Dealer stocked. Fast to medium moving part.   |
| 9     | 87851       | 1   | Handle, Starter Dealer stocked. Fast to medium moving part.   |
| 10    | 223944      | 1   | Bushing, Starter Dealer stocked. Fast to medium moving part.  |
| 11    | 300297      | 1   | Washer, 19 ID x 68 OD Dealer stocked. Fast to medium moving part.   |
| 12    | 300294      | 1   | Screw, 8-16 x .75 Torx Hd Plast Dealer stocked. Fast to medium moving part.                               |
| 13    | 300294      | 4   | Screw, 8-16 x .75 Torx Hd Plastite Dealer stocked. Fast to medium moving part.                            |
| 14    | 300260      | 1   | Oil Tank Asy Distributor stocked. Medium to slow moving part.   |
| 15    | 300289      | 1   | Hose, Oil Pick-up Dealer stocked. Fast to medium moving part.   |
| 16    | 225062      | 1   | Filter, Oil Dealer stocked. Fast to medium moving part.   |
| 17    | 300256      | 1   | Valve, Duckbill Dealer stocked. Fast to medium moving part.   |
| 18    | 300565      | 1   | Oil Cap Asy w/Retainer Dealer stocked. Fast to medium moving part.  |

| Ref # | Part Number | Qty | Description  |
|-------|-------------|-----|--|
| 19    | 300269      | 1   | Gasket, Oil Cap Dealer stocked. Fast to medium moving part.  |
| 20    | 300259      | 1   | Filter, Foam Dealer stocked. Fast to medium moving part.   |
| 21    | 322195      | 1   | Spacer, Oil Tank Distributor stocked. Medium to slow moving part.  |
| 22    | 300259      | 1   | Filter, Foam Dealer stocked. Fast to medium moving part.   |
| 23    | 22424202    | 1   | Primer, Remote Dealer stocked. Fast to medium moving part.   |
| 24    | 300298      | 1   | Hose Dealer stocked. Fast to medium moving part.   |
| 25    | 301056      | 1   | Housing/Pin Asy, Right Distributor stocked. Medium to slow moving part.                                  |
| 26    | 111098      | 1   | Pin, Roll 1/4 x 1.0 L Distributor stocked. Medium to slow moving part.                                   |
| 27    | 224821      | 1   | Trigger, Throttle Dealer stocked. Fast to medium moving part.  |
| 28    | 224822      | 1   | Latch, Throttle Distributor stocked. Medium to slow moving part.   |
| 29    | 224823      | 1   | Spring, Torsional Dealer stocked. Fast to medium moving part.  |
| 30    | 111128      | 1   | "O" Ring Distributor stocked. Medium to slow moving part.  |
| 31    | 322409      | 1   | Cable, Throttle Distributor stocked. Medium to slow moving part.   |
| 32    | 111226      | 4   | Screw, 10-24 x .62 Tr Hd Torx Dealer stocked. Fast to medium moving part.                                |
| 33    | 32394761    | 1   | Engine Housing, Left, AV, Blk Choose Appropriate Color; Distributor stocked. Medium to slow moving part. |
|       | 32394762    | 1   | Engine Housing, Left, AV, Grey Choose Appropriate Color; Factory stocked. Slow moving part.              |
| 34    | 300294      | 5   | Screw, 8-16 x .75 Tr Hd, Plastite Dealer stocked. Fast to medium moving part.                            |
| 35    | 322164      | 1   | Handle, Left Rear, Black, AV Distributor stocked. Medium to slow moving part.                            |
| 36    | 322178      | 1   | Contact, Ground Stud, AV Distributor stocked. Medium to slow moving part.                                |
| 37    | 68846       | 1   | Button, Stop Switch Dealer stocked. Fast to medium moving part.  |
| 38    | 223357      | 2   | Screw, 8-16 Plastite Dealer stocked. Fast to medium moving part.   |
| 39    | 224844      | 1   | Contact, Ignition Distributor stocked. Medium to slow moving part.                                       |

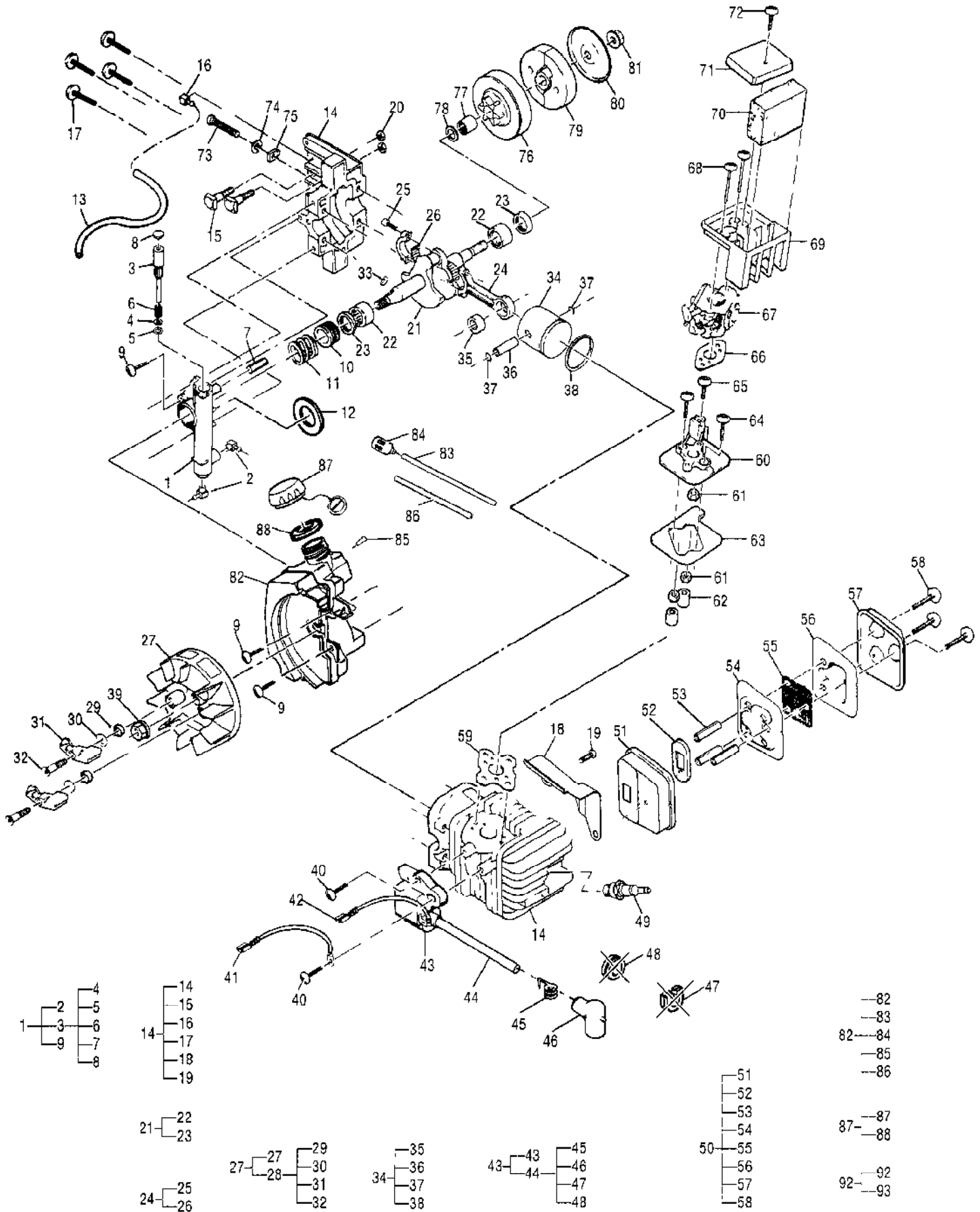
| Ref # | Part Number | Qty | Description  |
|-------|-------------|-----|--|
| 40    | 322193      | 1   | Isolator, Rubber Dealer stocked. Fast to medium moving part.                                 |
| 41    | 322163      | 1   | Handle, Right Rear, Black Dealer stocked. Fast to medium moving part.                        |
| 42    | 32216201    | 1   | Handle, Front Dealer stocked. Fast to medium moving part.                                    |
| 43    | 322165      | 1   | Spring, Extension Dealer stocked. Fast to medium moving part.                                |
| 44    | 218005      | 3   | Nut, Square 10-24 Dealer stocked. Fast to medium moving part.                                |
| 45    | 300292      | 2   | Retainer, Nut Dealer stocked. Fast to medium moving part.                                    |
| 46    | 111226      | 2   | Screw, 10-24 x .62 Tr Hd Torx Dealer stocked. Fast to medium moving part.                    |
| 47    | 322166      | 2   | Spring, Extension Dealer stocked. Fast to medium moving part.                                |
| 48    | 300294      | 4   | Screw, 8-16 x .75 Tr hd Plastite Dealer stocked. Fast to medium moving part.                 |
| 49    | 217935      | 1   | Screw, 10-24 x .50 Tr Torx Dealer stocked. Fast to medium moving part.                       |
| 50    | 218083      | 1   | Screw, 10-24 x 2.0 Tr Torx Dealer stocked. Fast to medium moving part.                       |
| 51    | 322176      | 1   | Washer, 2.0 x 7.8 in. OD Dealer stocked. Fast to medium moving part.                         |
| 52    | 322175      | 1   | Spacer, 0.2 ID x 1.0 Lg Distributor stocked. Medium to slow moving part.                     |
| 53    | 111135      | 1   | Nut, Hex Lock 10-24 Distributor stocked. Medium to slow moving part.                         |
| 54    | 218005      | 2   | Nut, Square 10-24 Dealer stocked. Fast to medium moving part.                                |
| 55    | 300292      | 2   | Retainer, Nut Dealer stocked. Fast to medium moving part.                                    |
| 56    | 224830      | 1   | Cover, Air Filter Choose appropriate color; Distributor stocked. Medium to slow moving part. |
|       | 322834      | 1   | Cover, Air Filter, Grey Choose appropriate color; Factory stocked. Slow moving part.         |
| 57    | 111099      | 2   | Screw, 10-24 x .625 Pn Hd Torx Dealer stocked. Fast to medium moving part.                   |
| 58    | 22482601    | 1   | Rod, Choke Dealer stocked. Fast to medium moving part.                                       |
| 59    | 300294      | 5   | Screw, 8-16 x .75 Tr Hd Plastite Dealer stocked. Fast to medium moving part.                 |
| 60    | 300297      | 1   | Washer, .19 ID x .68 OD Dealer stocked. Fast to medium moving part.                          |

| Ref # | Part Number | Qty | Description  |
|-------|-------------|-----|--|
| 61    | 300294      | 1   | Screw, 8-16 x .75 Tr Hd Plastite Dealer stocked. Fast to medium moving part. |
| 62    | 93469       | 3   | Washer, .469 OD x .222 ID Dealer stocked. Fast to medium moving part.        |



No  
Diagram  
Available  
  
Parts List  
Only

| Ref # | Part Number | Qty | Description                      |
|-------|-------------|-----|----------------------------------|
|       | 32223502    |     | Loctite Kit                      |
|       | 322236      |     | Retaining Compound 620 (10 ml)   |
|       | 322237      |     | Thread Locker 242 (10 ml)        |
|       | 322238      |     | Gasket Eliminator 518 (50 ml)    |
|       | 32223901    |     | Black Max 380 (3 ml)             |
|       | 323749      |     | Thread Locker 262 (10 ml)        |
|       | 323762      |     | Anti-Seize lubricant 767 (30 ml) |



| Ref # | Part Number | Qty | Description   |
|-------|-------------|-----|---|
| 1     | 301304      | 1   | Oil Pump Asy Dealer stocked. Fast to medium moving part.                  |
| 2     | 322182      | 2   | Fitting Distributor stocked. Medium to slow moving part.                  |
| 3     | 301084      | 1   | Kit, Gear/Plunger Asy Dealer stocked. Fast to medium moving part.         |
| 4     | 110582      | 1   | Washer Dealer stocked. Fast to medium moving part.                        |
| 5     |             | 1   | O-Ring Not available individually   |
| 6     |             | 1   | Spring Not available individually   |
| 7     |             | 1   | Pin, Dowel Not available individually                                     |
| 8     | 322187      | 1   | Plug, Oil Pump Distributor stocked. Medium to slow moving part.           |
| 9     | 111226      | 2   | Screw, 10-24 x .62 Tr Hd Torx Dealer stocked. Fast to medium moving part. |
| 10    | 224814      | 1   | Worm Gear Dealer stocked. Fast to medium moving part.                     |
| 11    | 224840      | 1   | Spring, Compression Dealer stocked. Fast to medium moving part.           |
| 12    | 300295      | 1   | Seal, Foam, Oil Pump Dealer stocked. Fast to medium moving part.          |
| 13    | 300288      | 1   | Connecting Hose Dealer stocked. Fast to medium moving part.               |
| 14    | 301055      | 1   | Cyl/C'case/Bar Bolt Asy, 38cc Dealer stocked. Fast to medium moving part. |
| 15    | 8385601     | 2   | Bolt, Bar Dealer stocked. Fast to medium moving part.                     |
| 16    | 300257      | 1   | Fitting Distributor stocked. Medium to slow moving part.                  |
| 17    | 111083      | 4   | Screw, 12-24 x 1.0 Hx Wshr Hd Dealer stocked. Fast to medium moving part. |
| 18    | 323923      | 1   | Baffle, Air Factory stocked. Slow moving part.                            |
| 19    | 111054      | 1   | Screw, 10-24x.625 Dealer stocked. Fast to medium moving part.             |
| 20    | 110676      | 2   | Nut, Hx 1/4-28 Flange Dealer stocked. Fast to medium moving part.         |
| 21    | 302140      | 1   | Crankshaft/Bearing Asy Distributor stocked. Medium to slow moving part.   |
| 22    | 213282      | 2   | Bearing, C'shaft Dealer stocked. Fast to medium moving part.              |
| 23    | 83859       | 2   | Seal, C'shaft Oil Dealer stocked. Fast to medium moving part.             |
| 24    | 9413501     | 1   | Connecting Rod/Bearing Asy Dealer stocked. Fast to medium moving part.    |
| 25    | 94654       | 2   | Screw, Conn Rod Distributor stocked. Medium to slow moving part.          |

| Ref # | Part Number | Qty | Description  |
|-------|-------------|-----|--|
| 26    | 68095       | 1   | Set, Roller Pins Distributor stocked. Medium to slow moving part.                  |
| 27    | 302220      | 1   | Flywheel/Pawl Asy Distributor stocked. Medium to slow moving part.                 |
| 28    | 30076301    | 2   | Kit, Flywheel Pawls Dealer stocked. Fast to medium moving part.                    |
| 29    | 216982      | 2   | Spring, Starter Pawl Dealer stocked. Fast to medium moving part.                   |
| 30    | 111131      | 2   | Washer, Sp .469 OD x .222 ID Factory stocked. Slow moving part.                    |
| 31    |             | 2   | Pawls Not available individually   |
| 32    | 322721      | 2   | Pin, Starter Pawl Dealer stocked. Fast to medium moving part.                      |
| 33    | 102164      | 1   | Key, Flywheel Dealer stocked. Fast to medium moving part.                          |
| 34    | 30105401    | 1   | Kit, Piston, 38cc Dealer stocked. Fast to medium moving part.                      |
| 35    | 323930      | 1   | Bearing, Needle- Drawn Cup Factory stocked. Slow moving part.                      |
| 36    | 323943      | 1   | Pin, Piston Dealer stocked. Fast to medium moving part.                            |
| 37    | 111026      | 2   | Ring, Snap Dealer stocked. Fast to medium moving part.                             |
| 38    |             | 1   | Piston, Ring, 38cc Not available individually                                      |
| 39    | 110961      | 1   | Nut, Hx 5/16-24 Dealer stocked. Fast to medium moving part.                        |
| 40    | 217936      | 2   | Screw, Tr 10-24 x 75 Torx Dealer stocked. Fast to medium moving part.              |
| 41    | 300555      | 1   | Wire Asy, Ground Distributor stocked. Medium to slow moving part.                  |
| 42    | 300556      | 1   | Wire Asy, Stop Switch Distributor stocked. Medium to slow moving part.             |
| 43    | 302138      | 1   | Ignition Asy Dealer stocked. Fast to medium moving part.                           |
| 44    | 223884      | 1   | Kit, Plug Wire Dealer stocked. Fast to medium moving part.                         |
| 45    | 102556      | 1   | Connector Dealer stocked. Fast to medium moving part.                              |
| 46    | 95266       | 1   | Boot Dealer stocked. Fast to medium moving part.                                   |
| 47    | 110995      | 1   | Grommet Not used on these models; Distributor stocked. Medium to slow moving part. |
| 48    | 21553301    | 1   | Grommet Not used on these models; Distributor stocked. Medium to slow moving part. |
| 49    | 322208      | 1   | Spark Plug RDJ7Y Dealer stocked. Fast to medium moving part.                       |

| Ref # | Part Number | Qty | Description   |
|-------|-------------|-----|---|
| 50    | 301045      | 1   | Muffler Asy Distributor stocked. Medium to slow moving part.                    |
| 51    | 300280      | 1   | Body Factory stocked. Slow moving part.   |
| 52    | 300281      | 1   | Plate, Reinforcing Factory stocked. Slow moving part.                           |
| 53    | 300284      | 3   | Spacer Factory stocked. Slow moving part.                                       |
| 54    | 300282      | 1   | Baffle, Inner Muffler Factory stocked. Slow moving part.                        |
| 55    | 300286      | 1   | Screen, Spark Arrester Distributor stocked. Medium to slow moving part.         |
| 56    | 300283      | 1   | Baffle, Outer Factory stocked. Slow moving part.                                |
| 57    | 323637      | 1   | Cover, Muffler Factory stocked. Slow moving part.                               |
| 58    | 111093      | 3   | Screw, 10-24 x 1.75 Tr Hd Torx Distributor stocked. Medium to slow moving part. |
| 59    | 300265      | 1   | Gasket, Insulator Dealer stocked. Fast to medium moving part.                   |
| 60    | 224820      | 1   | Insulator, Carburetor Dealer stocked. Fast to medium moving part.               |
| 61    | 218315      | 3   | Nut, Hx 10-24 Dealer stocked. Fast to medium moving part.                       |
| 62    | 322188      | 2   | Spacer, Rubber Dealer stocked. Fast to medium moving part.                      |
| 63    | 224850      | 1   | Seal, Foam Dealer stocked. Fast to medium moving part.                          |
| 64    | 217937      | 2   | Screw, Tr 10-24 x 1.00 Torx Distributor stocked. Medium to slow moving part.    |
| 65    | 217936      | 1   | Screw, Tr 10-24 x .75 Torx Dealer stocked. Fast to medium moving part.          |
| 66    | 300293      | 1   | Gasket, Carburetor Dealer stocked. Fast to medium moving part.                  |
| 67    |             | 1   | Carburetor/Choke Asy See "Carburetor Assembly" illustrations and parts lists.   |
| 68    | 218083      | 2   | Screw, Tr 10-24 x 2.0 Torx Dealer stocked. Fast to medium moving part.          |
| 69    | 224824      | 1   | Box, Air Filter Factory stocked. Slow moving part.                              |
| 70    | 224831      | 1   | Filter, Air Dealer stocked. Fast to medium moving part.                         |
| 71    | 224825      | 1   | Shield, Carburetor Distributor stocked. Medium to slow moving part.             |
| 72    | 111055      | 1   | Screw, 10-14 x .625 Plastite Dealer stocked. Fast to medium moving part.        |
| 73    | 223088      | 1   | Screw, Adjusting Dealer stocked. Fast to medium moving part.                    |
| 74    | 110907      | 1   | Ring, Retaining Dealer stocked. Fast to medium moving part.                     |

| Ref # | Part Number | Qty | Description   |
|-------|-------------|-----|---|
| 75    | 68656       | 1   | Nut, Bar Adjusting Dealer stocked. Fast to medium moving part.        |
| 76    | 302768      | 1   | Drum/Sprocket/Bearing Asy Dealer stocked. Fast to medium moving part. |
| 77    | 91117       | 1   | Bearing Dealer stocked. Fast to medium moving part.                   |
| 78    | 215259      | 1   | Washer, Sprocket Distributor stocked. Medium to slow moving part.     |
| 79    | 301463      | 1   | Kit, Clutch Asy Dealer stocked. Fast to medium moving part.           |
| 80    | 300276      | 1   | Plate, Dust Distributor stocked. Medium to slow moving part.          |
| 81    | 111079      | 1   | Nut, Clutch, 5/16-24 LH Dealer stocked. Fast to medium moving part.   |
| 82    | 301834      | 1   | Fuel Tank Asy Dealer stocked. Fast to medium moving part.             |
| 83    | 300289      | 1   | Hose, Fuel Pickup Dealer stocked. Fast to medium moving part.         |
| 84    | 216985      | 1   | Filter, Fuel Dealer stocked. Fast to medium moving part.              |
| 85    | 322199      | 1   | Valve, Duckbill Dealer stocked. Fast to medium moving part.           |
| 86    | 300290      | 1   | Hose, Primer Retain Dealer stocked. Fast to medium moving part.       |
| 87    | 300564      | 1   | Cap, Fuel Asy, w/Retainer Dealer stocked. Fast to medium moving part. |
| 88    | 300267      | 1   | Gasket, Fuel Cap Dealer stocked. Fast to medium moving part.          |
| 92    |             |     | UNKNOWN   |
| 93    |             |     | UNKNOWN   |



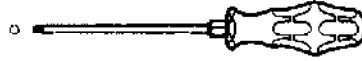
111124



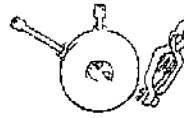
222785



217720



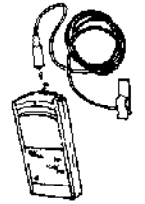
323754



323330



215432-01



91424



| Ref #    | Part Number | Qty | Description   |
|----------|-------------|-----|---|
| 111124   | 111124      |     | T-27 Torx Dr 3.5 in.                                    |
| 222785   | 222785      |     | T-25 Torx Dr 3.5 in.                                    |
| 217720   | 217720      |     | Torx Dr Set   |
| 323754   | 323754      |     | Torx Dr Bit Sizes: Tx 10, 15, 20, 25, 27, 30 (Set of 6) |
| 323330   | 323330      |     | Ignition Tester   |
| 21543201 | 21543201    |     | Pressure Test Tool                                      |
| 91424    | 91424       |     | Tachometer  |