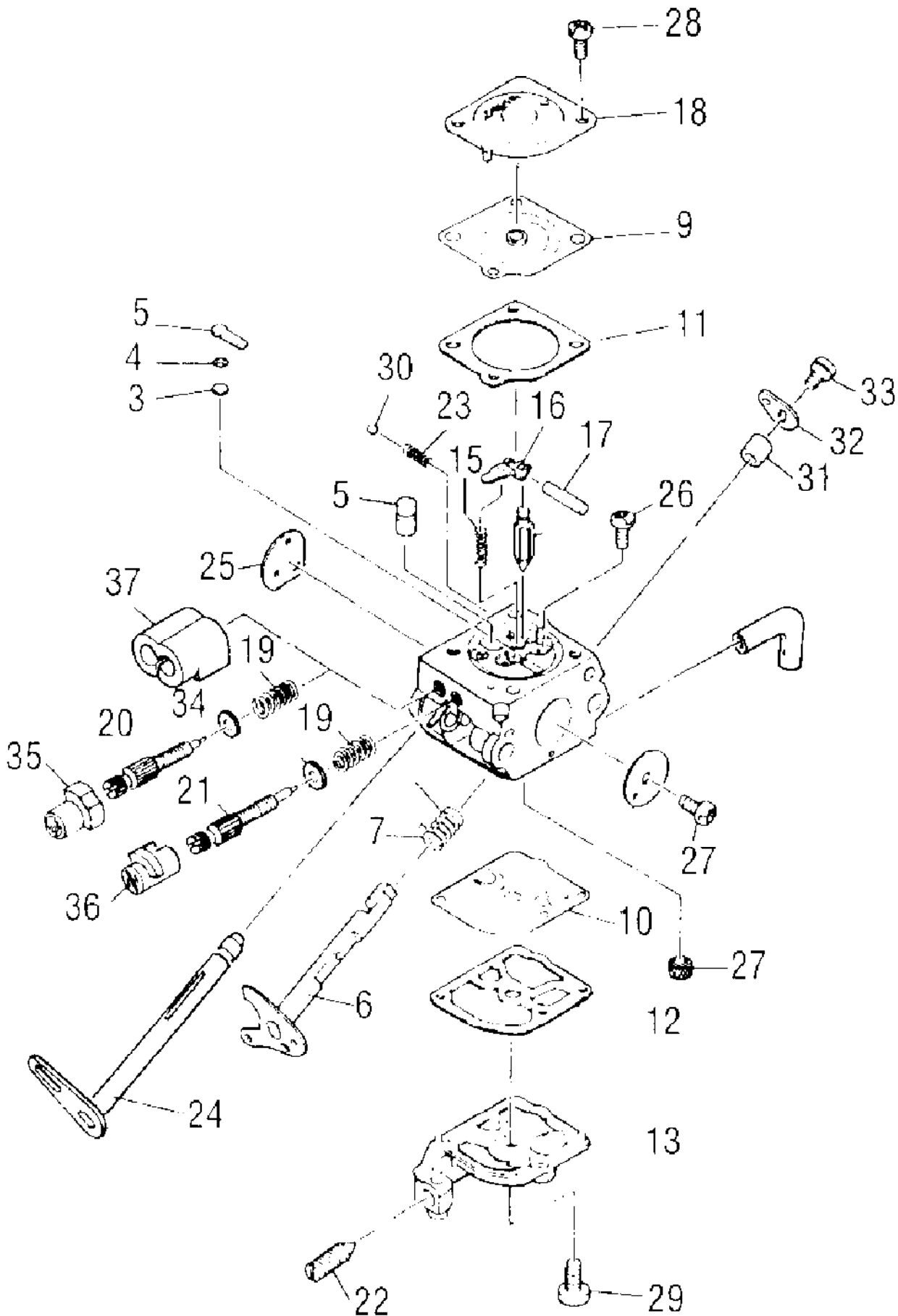


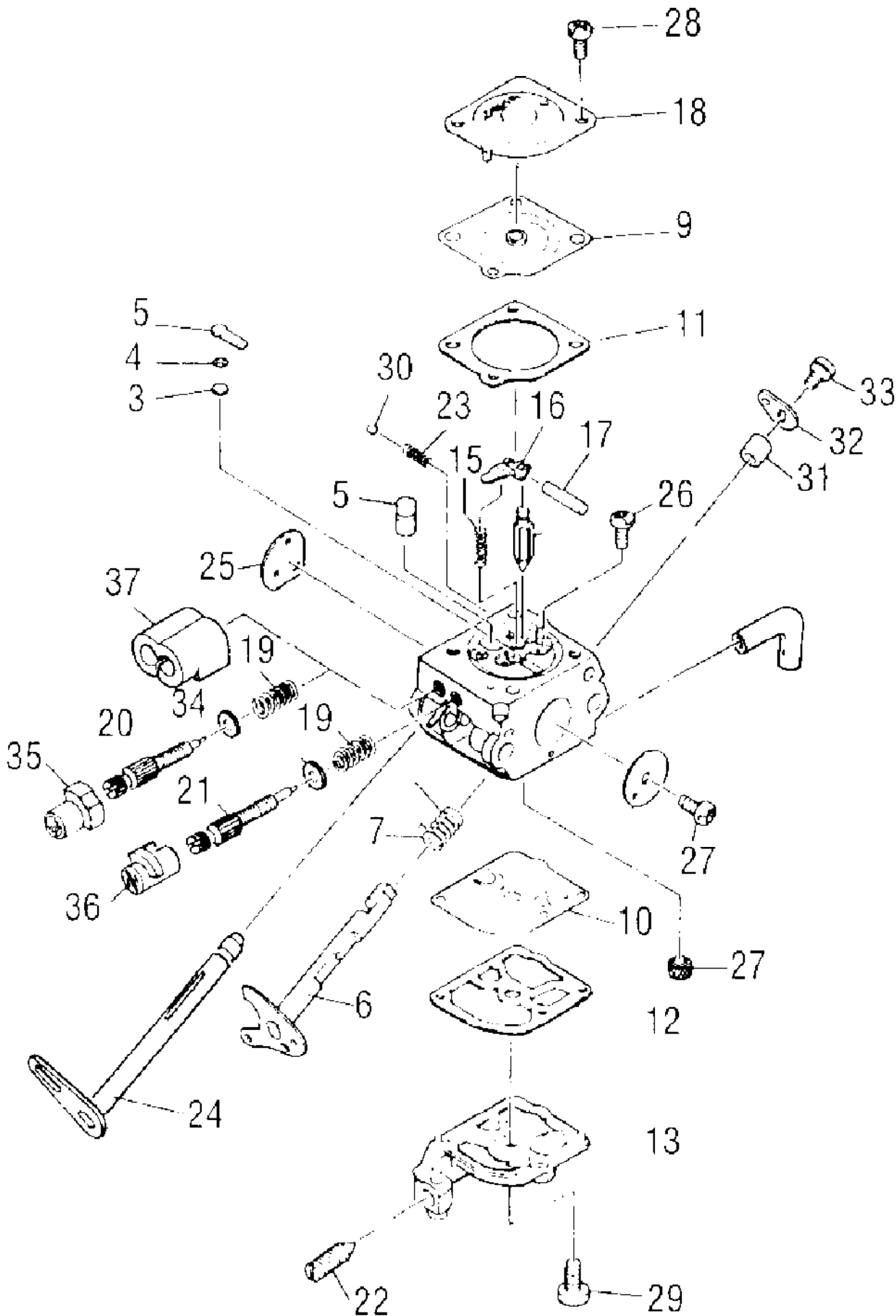
No
Diagram
Available

Parts List
Only

| Ref # | Part Number | Qty | Description |
|-------|-------------|-----|----------------------------------|
| | 21423333 | | 10" Bar |
| | 21423433 | | 12" Bar |
| | 21423533 | | 14" Bar |
| | 21423633 | | 16" Bar |
| | 21492333 | | 10" Chain MPG370GLX38cl |
| | 21492133 | | 12" Chain MPG370GLX44cl |
| | 21491933 | | 14" Chain MPG370GLX49cl |
| | 21492533 | | 16" Chain MPG370GLX54cl |
| | 30199233 | | File & Guide (5/32) Service Tool |
| | 21421733 | | File (5/32) Service Tool |

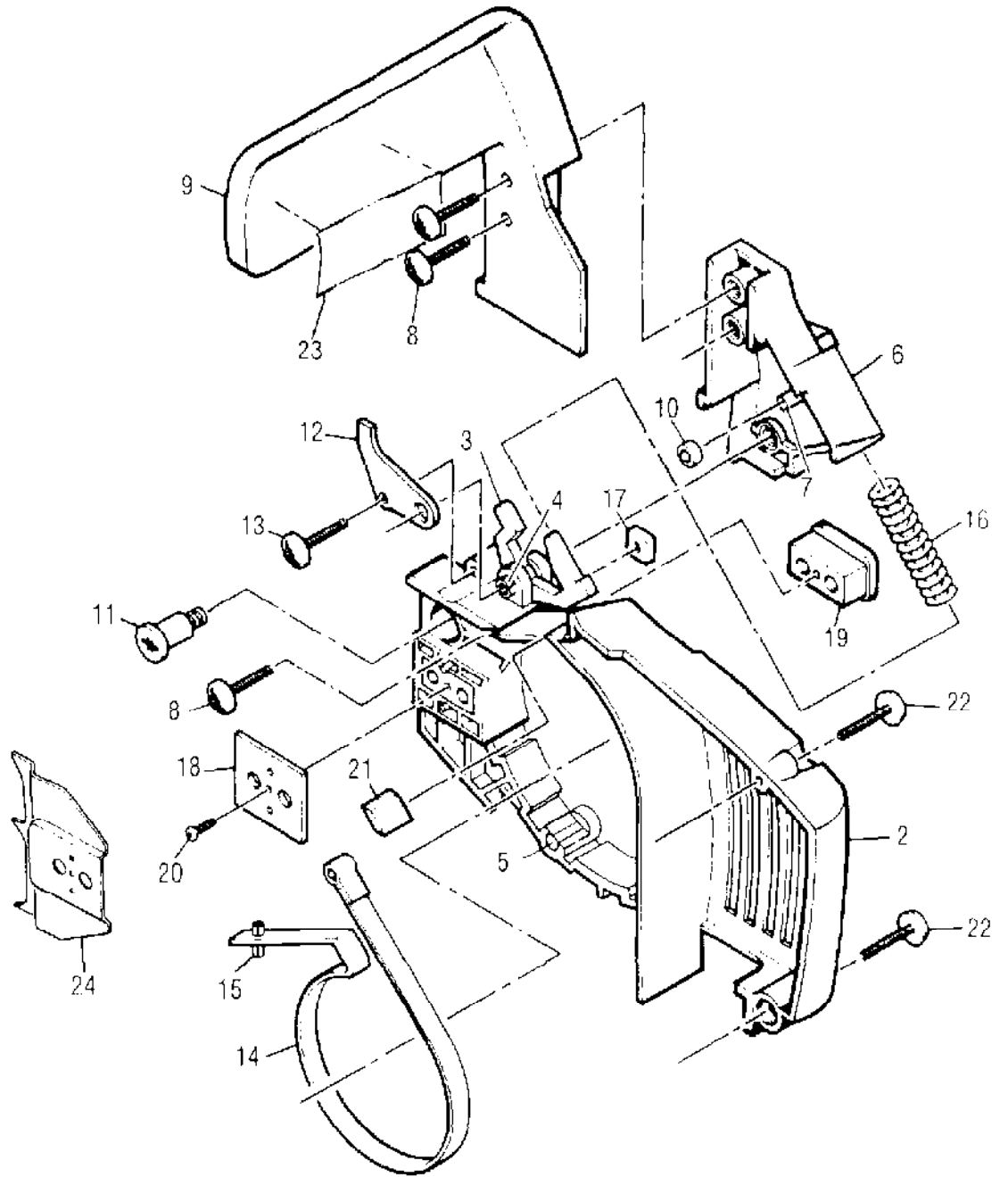


| Ref # | Part Number | Qty | Description |
|-------|-------------|-----|--|
| | 323653-03 | | Carburetor, Walbro WT 438 |
| 1 | | 1 | Strainer |
| 2 | | 1 | Plug, Welch |
| 3 | | 1 | Valve, Check (Not Included Individually) |
| 4 | | 1 | Retainer, Check Valve (Not Included Individually) |
| 5 | | 1 | Nozzle Assembly, Check Valve (Not Included Individually) |
| 6 | | 1 | Shaft Assembly, Throttle (Not Included Individually) |
| 7 | | 1 | Spring, Throttle Return (Not Included Individually) |
| 8 | | 1 | Valve, Throttle (Not Included Individually) |
| 9 | | 1 | Diaphragm Assembly, Metering (Not Included Individually) |
| 10 | | 1 | Diaphragm, Pump (Not Included Individually) |
| 11 | | 1 | Gasket, Metering Chamber (Not Included Individually) |
| 12 | | 1 | Gasket, Pump (Not Included Individually) |
| 13 | | 1 | Cover, Pump (Not Included Individually) |
| 14 | | 1 | Valve, Inlet Needle (Not Included Individually) |
| 15 | | 1 | Spring, Metering Lever (Not Included Individually) |
| 16 | | 1 | Lever, Metering (Not Included Individually) |
| 17 | | 1 | Pin (Not Included Individually) |
| 18 | | 1 | Cover, Metering Chamber (Not Included Individually) |
| 19 | | 1 | Spring, Adjust Screw (Not Included Individually) |
| 20 | | 1 | Screw, Main Mixture (Not Included Individually) |
| 21 | | 1 | Screw, Idle Mixture (Not Included Individually) |
| 22 | | 1 | Screw, Throttle Adjust (Not Included Individually) |
| 23 | | 1 | Spring, Friction (Not Included Individually) |
| 24 | | 1 | Shaft Assembly, Choke (Not Included Individually) |
| 25 | | 1 | Valve, Choke (Not Included Individually) |
| 26 | | 1 | Screw, Pin (Not Included Individually) |
| 27 | | 1 | Screw, Throttle/Choke Valve (Not Included Individually) |
| 28 | | 2 | Screw, Metering Chamber (Not Included Individually) |
| 29 | | 1 | Screw, Pump Cover (Not Included Individually) |
| 30 | | 1 | Ball, Steel (Not Included Individually) |
| 31 | | 1 | Collar (Not Included Individually) |
| 32 | | 1 | Lever, Throttle (Not Included Individually) |
| 33 | | 1 | Screw, Throttle Lever (Not Included Individually) |
| 34 | | 2 | Washer, Limiter (Not Included Individually) |
| 35 | 111216 | 2 | Cap, Limiter, Hi |
| 36 | 111217 | 1 | Cap, Limiter, Lo |
| 37 | | 1 | Retainer Limiter (Not Included Individually) |
| | 324013 | | Carburetor Kit Repair A1128WT |
| | 324009 | | Gasket/Diaphragm B1110WT |

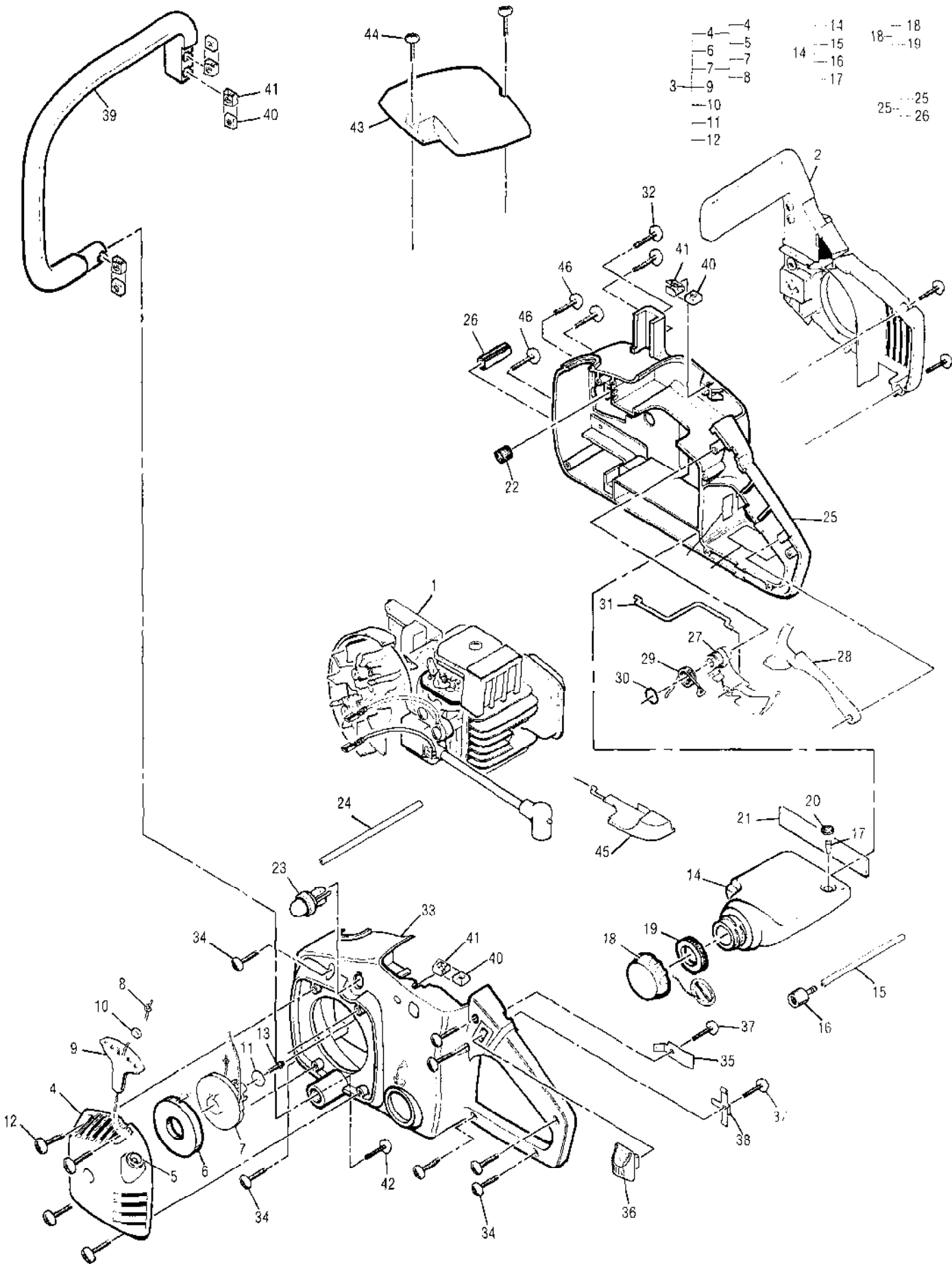


| Ref # | Part Number | Qty | Description |
|-------|-------------|-----|--|
| | 323653-03 | | Carburetor, Zama CU1M28C |
| | 324947-01 | | Carburetor, Zama C1QM36 |
| 1 | | 1 | Strainer (Not Included Individually) |
| 2 | | 1 | Plug, Welch (Not Included Individually) |
| 3 | | 1 | Valve, Check (Not Included Individually) |
| 4 | | 1 | Retainer, Check Valve (Not Included Individually) |
| 5 | | 1 | Nozzle Assembly, Check Valve (Not Included Individually) |
| 6 | | 1 | Shaft Assembly, Throttle (Not Included Individually) |
| 7 | | 1 | Spring, Throttle Return (Not Included Individually) |
| 8 | | 1 | Valve, Throttle (Not Included Individually) |
| 9 | | 1 | Diaphragm Assembly, Metering (Not Included Individually) |
| 10 | | 1 | Diaphragm, Pump (Not Included Individually) |
| 11 | | 1 | Gasket, Metering Chamber (Not Included Individually) |
| 12 | | 1 | Gasket, Pump (Not Included Individually) |
| 13 | | 1 | Cover, Pump (Not Included Individually) |
| 14 | | 1 | Valve, Inlet Needle (Not Included Individually) |
| 15 | | 1 | Spring, Metering Lever (Not Included Individually) |
| 16 | | 1 | Lever, Metering (Not Included Individually) |
| 17 | | 1 | Pin (Not Included Individually) |
| 18 | | 1 | Cover, Metering Chamber (Not Included Individually) |
| 19 | | 1 | Spring, Adjust Screw (Not Included Individually) |
| 20 | | 1 | Screw, Main Mixture (Not Included Individually) |
| 21 | | 1 | Screw, Idle Mixture (Not Included Individually) |
| 22 | | 1 | Screw, Throttle Adjust (Not Included Individually) |
| 23 | | 1 | Spring, Friction (Not Included Individually) |
| 24 | | 1 | Shaft Assembly, Choke (Not Included Individually) |
| 25 | | 1 | Valve, Choke (Not Included Individually) |
| 26 | | 1 | Screw, Pin (Not Included Individually) |
| 27 | | 1 | Screw, Throttle/Choke Valve (Not Included Individually) |
| 28 | | 2 | Screw, Metering Chamber (Not Included Individually) |
| 29 | | 1 | Screw, Pump Cover (Not Included Individually) |
| 30 | | 1 | Ball, Steel (Not Included Individually) |
| 31 | | 1 | Collar (Not Included Individually) |
| 32 | | 1 | Lever, Throttle (Not Included Individually) |
| 33 | | 1 | Screw, Throttle Lever (Not Included Individually) |
| 34 | | 2 | Washer, Limiter (Not Included Individually) |
| 35 | 111216 | 2 | Cap, Limiter, Hi |
| 36 | 111217 | 1 | Cap, Limiter, Lo |
| 37 | | 1 | Retainer Limiter (Not Included Individually) |
| | 301041 | | Carburetor Kit Repair RB-39 |
| | 301042 | | Gasket/Diaphragm GND-35 |

- 2
- 3
- 4
- 5
- 6
- 7
- 8
- 9
- 10
- 11
- 12
- 1—13
- 14
- 15
- 16
- 17
- 18
- 19
- 20
- 21
- 22
- 23



| Ref # | Part Number | Qty | Description |
|-------|-------------|-----|--|
| 1 | 224700 | 1 | Brake Kit Asy, Grey (Choose appropriate color) |
| 1 | 301558 | 1 | Brake Kit Asy, Yellow (Choose appropriate color) |
| 1 | 301557 | 1 | Brake Kit Asy, Black (Choose appropriate color) |
| 2 | 301650 | 1 | Housing Kit Asy, Grey (Choose appropriate color) |
| 2 | 301559 | 1 | Housing Kit Asy, Yellow (Choose appropriate color) |
| 2 | 301560 | 1 | Housing Kit Asy, Black (Choose appropriate color) |
| 3 | 216755 | 1 | Latch, Chain Brake |
| 4 | | 1 | Dowel, Spring |
| 5 | | 2 | Pin, Dowel |
| 6 | 301038 | 2 | Lever, Brake Asy |
| 7 | | 1 | Pin, Dowel |
| 8 | 111226 | 1 | Screw, 10-24 x .62 Tr H |
| 9 | 323082 | 3 | Guard, Hand Torx 3 |
| 10 | 224849 | 1 | Roller |
| 11 | 224847 | 1 | Screw, Shoulder |
| 12 | 224848 | 1 | Stop, Brake |
| 13 | 300294 | 1 | Screw, 8-16 x .75 Tr Hd Plastite |
| 14 | 301037 | 1 | Band. Brake |
| 15 | | 1 | Pin Spring (.125 x .50) |
| 16 | 322204 | 1 | Spring. Compression |
| 17 | 218005 | 1 | Nut, Square 10-24 |
| 18 | 300275 | 1 | Shield |
| 19 | 300271 | 1 | Spacer Bar Pad |
| 20 | 111101 | 1 | Screw. 4-40 x 5/16 Taptite |
| 21 | 322194 | 1 | Seal, Foam |
| 22 | 300299 | 2 | Screw 8-16 x 1.0 Tr Hd Plastite |
| 23 | 46703-41 | 1 | Label Safety |
| 24 | 322181 | 1 | Spike Bucking (Optional accessory) |



| Ref # | Part Number | Qty | Description |
|-------|-------------|-----|---|
| 1 | | | Powerhead Asy (See "Powerhead Assembly" illustration and parts list) |
| 2 | | | Chain Brake Asy (See "Chain Brake Assembly" illustration and parts list) |
| 3 | 300858 | 1 | Starter Housing Asy, Grey (Choose appropriate color) |
| 3 | 300264 | 1 | Starter Housing Asy, Yellow (Choose appropriate color) |
| 3 | 301078 | 1 | Starter Housing Asy, Black (Choose appropriate color) |
| 4 | 301651 | 1 | Housing/Rope Guide Asy, Grey (Choose appropriate color) |
| 4 | 301044 | 1 | Housing/Rope Guide Asy, Yellow (Choose appropriate color) |
| 4 | 301654 | 1 | Housing/Rope Guide Asy, Black (Choose appropriate color) |
| 5 | | 1 | Rope Guide (Not available individually) |
| 6 | 300475 | 1 | Spring, Starter Rewind |
| 7 | 301043 | 1 | Rope/Drum Asy (32cc) |
| 8 | 300300 | 1 | Rope, Starter |
| 9 | 87851 | 1 | Handle, Starter |
| 10 | 223944 | 1 | Bushing, Starter |
| 11 | 300297 | 1 | Washer, .19 ID x .68 OD |
| 12 | 300294 | 1 | Screw, 8-16 x .75 Torx Hd Plast |
| 13 | 300294 | 4 | Screw, 8-16 x .75 Torx Hd Plastite |
| 14 | 300260 | 1 | Oil Tank Asy |
| 15 | 300289 | 1 | Hose, Oil Pick-up |
| 16 | 225062 | 1 | Pickup, Oil |
| 17 | 300256 | 1 | Valve, Duckbill |
| 18 | 300565 | 1 | Oil Cap Asy w/Retainer |
| 19 | 300269 | 1 | Gasket, Oil Cap |
| 20 | 300259 | 1 | Filter, Foam |
| 21 | 322195 | 1 | Spacer, Oil Tank |
| 22 | 300259 | 1 | Filter, Foam |
| 23 | 224242-02 | 1 | Primer, Remote |
| 24 | 300298 | 1 | Hose |
| 25 | 301049 | 1 | Housing/Pin Asy, Right |
| 26 | 111098 | 1 | Pin. Roll 1/4 x 1.0 L |
| 27 | 224821 | 1 | Trigger Throttle |
| 28 | 224822 | 1 | Latch Throttle |
| 29 | 224823 | 1 | Spring, Torsional |
| 30 | 111128 | 1 | "O" Ring |
| 31 | 224827 | 1 | Rod, Throttle |
| 32 | 111226 | 2 | Screw 10-24 x .62 Tr Hd Torx Torque to 40-50 IN/LBS Loctite 262 required. |
| 33 | 32394561 | 1 | Engine Housing, Left, Blk |
| 34 | 300294 | 7 | Screw 8-16 x .75 Tr Hd. Plastite |
| 35 | 224845 | 1 | Contact, Ground |
| 36 | 68846 | 1 | Button, Stop Switch |
| 37 | 223357 | 2 | Screw 8-16 Plastite |
| 38 | 224844 | 1 | Contact, Ignition |

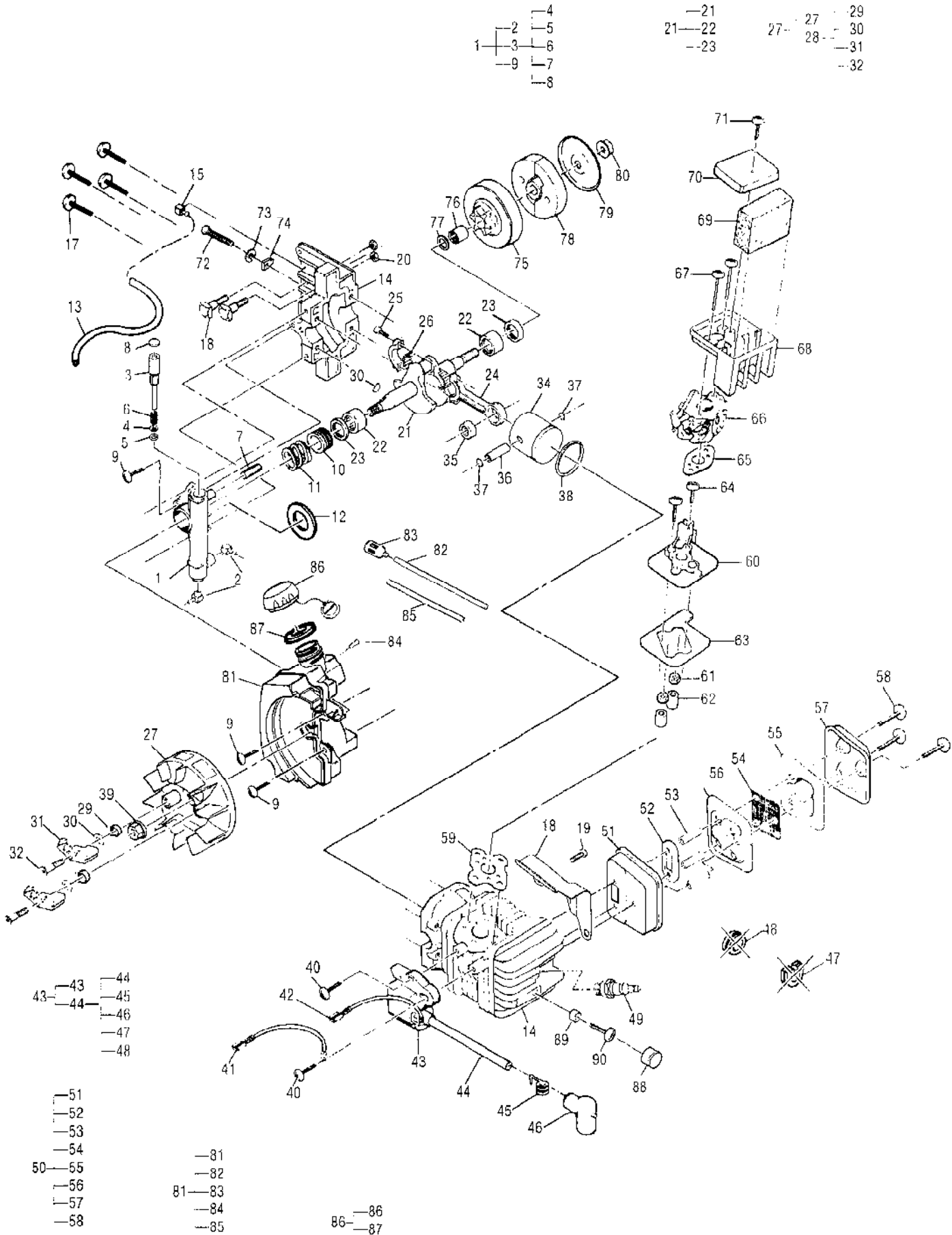
| Ref # | Part Number | Qty | Description |
|-------|-------------|-----|--|
| 39 | 22483601 | 1 | Handle, Front |
| 40 | 218005 | 5 | Nut, Square 10-24 |
| 41 | 300292 | 5 | Retainer Nut |
| 42 | 217936 | 1 | Screw 10-24 x .75 Tr Torx |
| 43 | 224830 | 1 | Cover, Air Filter (Choose appropriate color) |
| 43 | 322834 | 1 | Cover, Air Filter, Grey (Choose appropriate color) |
| 44 | 111099 | 2 | Screw 10-24 x .625 Pn Hd Torx |
| 45 | 22482601 | 1 | Slide Choke |
| 46 | 111226 | 4 | Screw, 10-24 x .62 Tr Hd Torx |

No
Diagram
Available

Parts List
Only

Loctite Kit

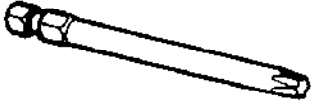

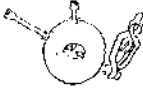

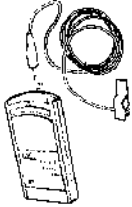
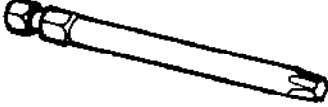
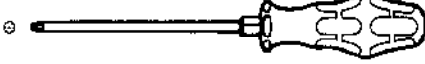
| Ref # | Part Number | Qty | Description |
|-------|-------------|-----|----------------------------------|
| | 322235-02 | | LOCTITE KIT |
| | 322236 | | RETAINING COMPOUND 620 (10 ml) |
| | 322237 | | THREAD LOCKER 242 (10 ml) |
| | 322238 | | GASKET ELIMINATOR 518 (50 ml) |
| | 322239-01 | | BLACK MAX ADHESIVE 380 (1 oz) |
| | 323749 | | THREAD LOCKER 262 (10 ml) |
| | 323762 | | Anti-Seize Lubricant 767 (30 ml) |



| Ref # | Part Number | Qty | Description |
|-------|-------------|-----|--|
| 1 | 301304 | 1 | Oil Pump Asy |
| 2 | 322182 | 2 | Fitting |
| 3 | 301084 | 1 | Kit, Gear/Plunger Asy |
| 4 | 110582 | 1 | Washer |
| 5 | | 1 | O-Ring (Not Available Individually) |
| 6 | | 1 | Spring (Not Available Individually) |
| 7 | | 1 | Pin, Dowel (Not Available Individually) |
| 8 | 322187 | 1 | Plug, Oil Pump Distributer Stocked. Medium to slow moving part. |
| 9 | 111226 | 2 | Screw, 10-24 x .62 Tr Hd Torx Torque to 30-40 IN/LBS Loctite 262 required. |
| 10 | 224814 | 1 | Worm Gear |
| 11 | 224840 | 1 | Spring, Compression |
| 12 | 300295 | 1 | Seal, Foam, Oil Pump |
| 13 | 300288 | 1 | Connecting Hose |
| 14 | | 1 | Cyl/C'case/Bar Bolt Asy, 38cc (Not Available Individually) |
| 15 | 83856-01 | 2 | Bolt, Bar |
| 16 | 300257 | 1 | Fitting |
| 17 | 111083 | 4 | Screw, 12-24 x 1.0 Hx Wshr Hd |
| 18 | 323923 | 1 | Baffle, Air |
| 19 | 111054 | 1 | Screw, 10-24 x .625 |
| 20 | 110676 | 2 | Nut, Hx 1/4-28 Flange |
| 21 | 302140 | 1 | Crankshaft/Bearing Asy |
| 22 | 213282 | 2 | Bearing, C'shaft |
| 23 | 83859 | 2 | Seal, C'shaft Oil |
| 24 | | 1 | Connecting Rod/Bearing (Not Available Individually) |
| 25 | 94654 | 2 | Screw, Conn Rod |
| 26 | 68095 | 1 | Set, Roller Pins |
| 27 | 302220 | 1 | Flywheel/Pawl Asy |
| 28 | 300763-01 | 2 | Kit, Flywheel Pawls |
| 29 | 216982 | 2 | Spring, Starter Pawl |
| 30 | 111131 | 2 | Washer, Sp .469 OD x .222 ID |
| 31 | | 2 | Pawls (Not Available Individually) |
| 32 | 322721 | 2 | Pin, Starter Pawl |
| 33 | 102164 | 1 | Key, Flywheel (Dealer stocked. Fast to medium moving part.) |
| 34 | | 1 | Piston (Not Available Individually) |
| 35 | | 1 | Bearing, Needle-Drawn Cup (Not Available Individually) |
| 36 | 323943 | 1 | Pin, Piston |
| 37 | 111026 | 2 | Ring, Snap |
| 38 | | 1 | Piston, Ring (Not Available Individually) |
| 39 | 110961 | 1 | Nut, Hx 5/16-24 Torque to 180 IN/LBS |
| 40 | 217936 | 2 | Screw, Tr 10-24 x .75 Torx |
| 41 | 300555 | 1 | Wire Asy, Ground |
| 42 | 300556 | 1 | Wire Asy, Stop Switch |
| 43 | 302138 | 1 | Ignition Asy |
| 44 | 223884 | 1 | Kit, Plug Wire |
| 45 | 102556 | 1 | Connector |
| 46 | 95266 | 1 | Boot |
| 47 | 110995 | 1 | Grommet |
| 48 | 215533-01 | 1 | Grommet |

| Ref # | Part Number | Qty | Description |
|-------|-------------|-----|--|
| 49 | 322208 | 1 | Spark Plug RDJ7Y Torque to 150 IN/LBS |
| 50 | 301045 | 1 | Muffler Asy |
| 51 | 300280 | 1 | Body |
| 52 | 300281 | 1 | Plate, Reinforcing |
| 53 | 300284 | 3 | Spacer |
| 54 | 300282 | 1 | Baffle, Inner Muffler |
| 55 | 300286 | 1 | Screen, Spark Arrester |
| 56 | 300283 | 1 | Baffle, Outer |
| 57 | 323637 | 1 | Cover, Muffler |
| 58 | 111093 | 3 | Screw, 10-24 x 1.75 Tr Hd Torx Torque to 50 IN/LBS |
| 59 | 300265 | 1 | Gasket, Insulator |
| 60 | 224820 | 1 | Insulator, Carburetor |
| 61 | 218315 | 2 | Nut. Hx 10-24 |
| 62 | 322188 | 2 | Spacer, Rubber |
| 63 | 224850 | 1 | Seal, Foam |
| 64 | 217937 | 2 | Screw Tr 10-24 x 1.00 Torx Torque to 30-40 IN/LBS Loctite 262 required. |
| 65 | 300293 | 1 | Gasket, Carburetor |
| 66 | | 1 | Carburetor/Choke Asy (Not Available Individually), See "Carburetor Assembly" illustration and parts list. |
| 67 | 218083 | 2 | Screw Tr 10-24 x 2.0 Torx Torque to 30-40 IN/LBS Loctite 262 required. |
| 68 | 224824 | 1 | Box. Air Filter |
| 69 | 224831 | 1 | Filter, Air |
| 70 | 224825 | 1 | Shield Carburetor |
| 71 | 111055 | 1 | Screw 10-14 x .625 Plastite |
| 72 | 223088 | 1 | Screw, Adjusting |
| 73 | 110907 | 1 | Ring, Retaining |
| 74 | 68656 | 1 | Nut, Bar Adjusting |
| 75 | 302768 | 1 | Drum/Sprocket/Bearing Asy |
| 76 | 91117 | 1 | Bearing |
| 77 | 215259 | 1 | Washer Sprocket |
| 78 | 301463 | 1 | Kit, Clutch Asy |
| 79 | 300276 | 1 | Plate, Dust |
| 80 | 111079 | 1 | Nut, Clutch, 5/16-24 LH Torque to 180 IN/LBS |
| 81 | 301834 | 1 | Fuel Tank Asy |
| 82 | 300289 | 1 | Hose Fuel Pickup |
| 83 | 216985 | 1 | Filter Fuel |
| 84 | 322199 | 1 | Valve Duckbill |
| 85 | 300290 | 1 | Hose. Primer Retain |
| 86 | 300564 | 1 | Cap. Fuel Asy. w/Retainer |
| 87 | 300267 | 1 | Gasket. Fuel Cap |
| 88 | 322200 | 1 | Cover Cylinder |
| 89 | 322201 | 1 | Cover. Spacer |
| 90 | 217936 | 1 | Screw 10-24 x .75 Tr Torx |
| | 301284 | | 38cc Shortblock Asy. |

SERVICE TOOLS

| | | | | |
|--|---|--|--|--|
|  <p>PN 111124 - T-27 Torx Dr 3.5 in..</p> |  <p>PN 217720 - Torx Dr Set</p> |  <p>PN 323330 Ignition Tester</p> |  <p>PN 215432-01 Pressure Test Tool</p> |  <p>PN 91424 Tachometer</p> |
|  <p>PN 222785 - T-25 Torx dr 3.5 in..</p> |  <p>PN 323754 - Torx Dr Set of 6 Bit Sizes: Tx 10,15,20,25,27,30</p> | | | |

| Ref # | Part Number | Qty | Description |
|----------|-------------|-----|---|
| 111124 | 111124 | 1 | T-27 Torx Dr., 3.5 in. |
| 222785 | 222785 | 1 | T-25 Torx Dr., 3.5 in. |
| 217720 | 217720 | 1 | Torx Dr Set |
| 323754 | 323754 | 11 | Torx Dr Set of 6 (Bit Sizes: Tx 10, 15, 20, 25, 27, 30) |
| 323330 | 323330 | 1 | Ignition Tester |
| 21543201 | 215432-01 | 1 | Pressure Test Tool |
| 91424 | 91424 | 1 | Tachometer |