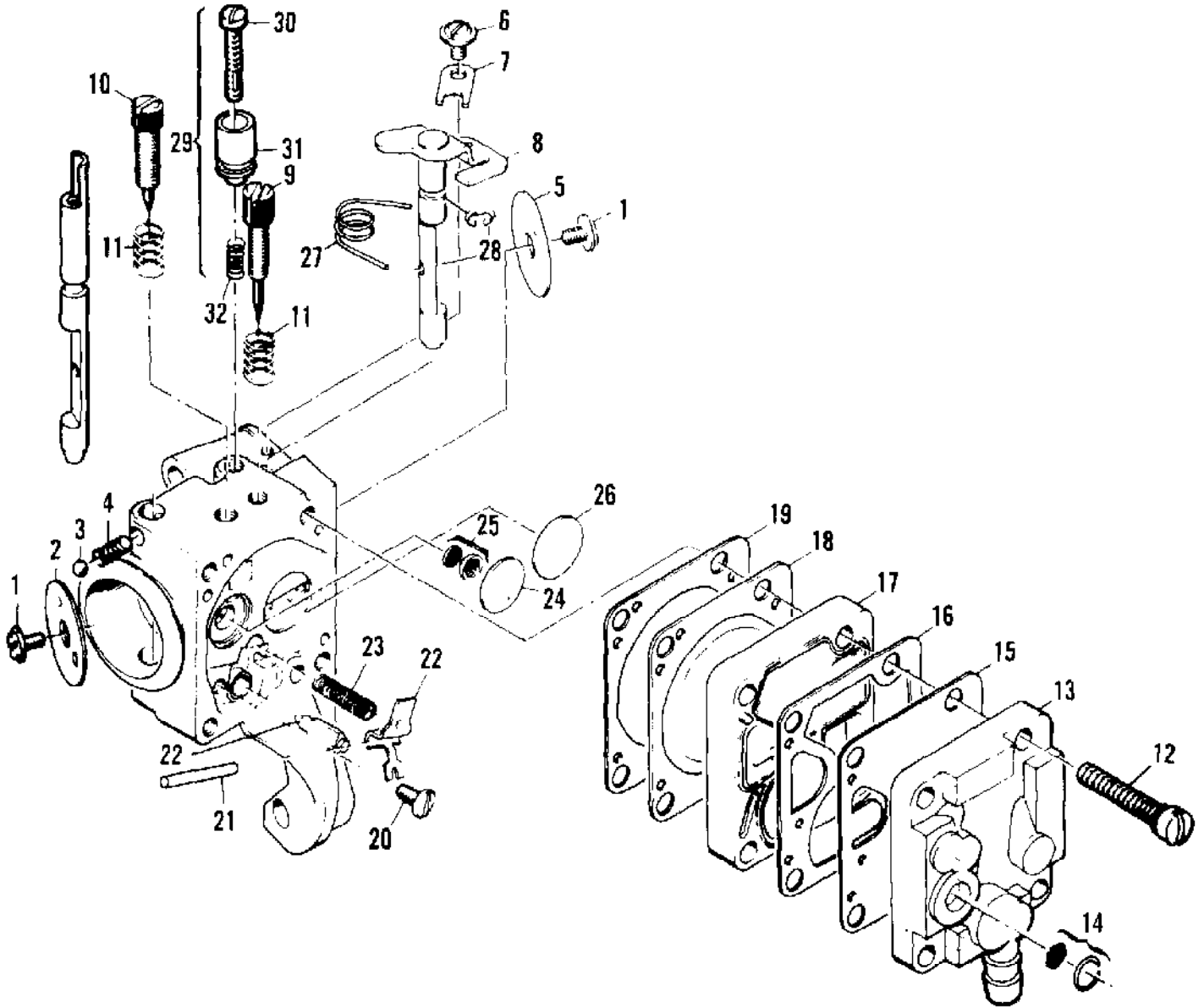


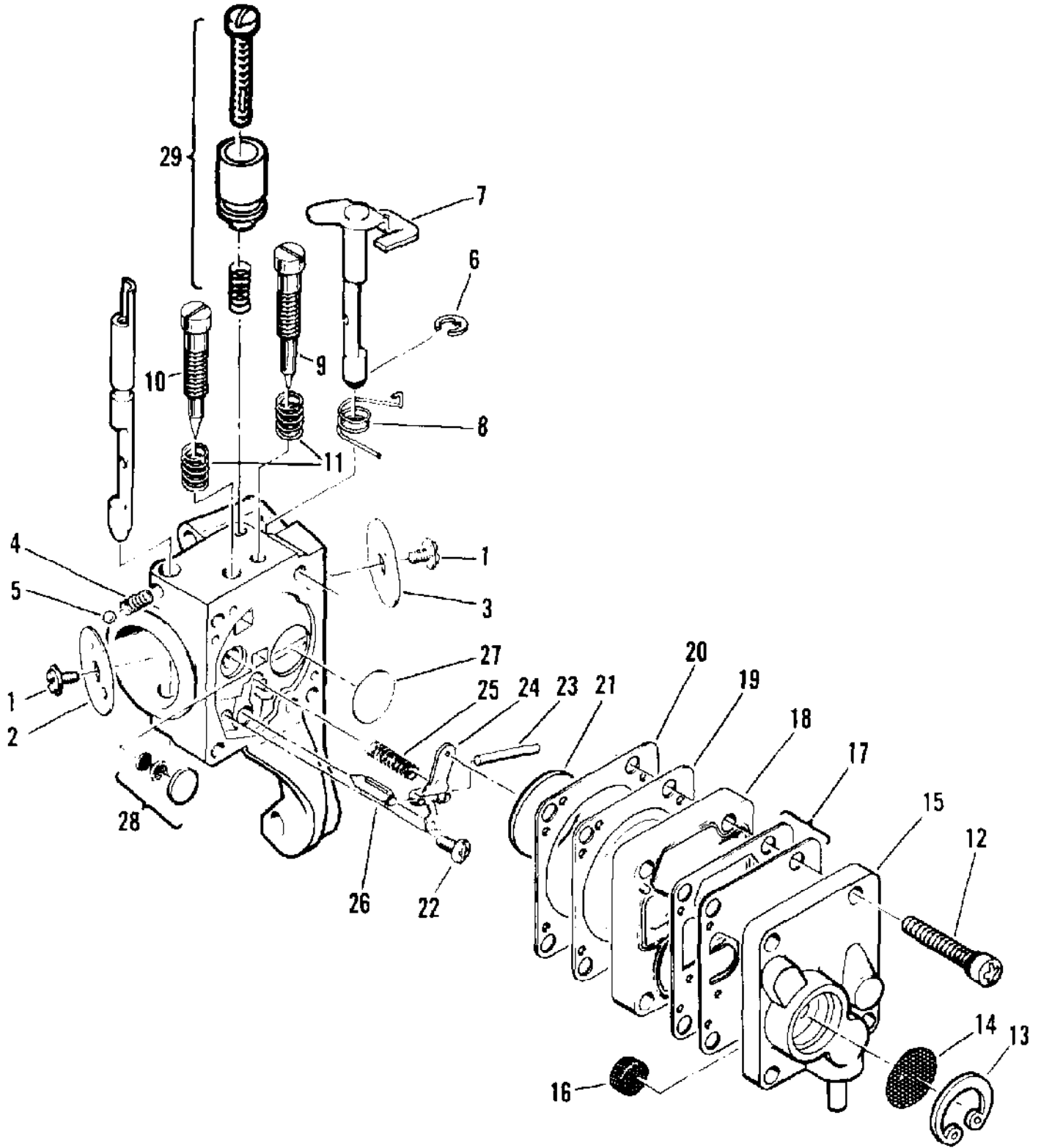
No
Diagram
Available

Parts List
Only

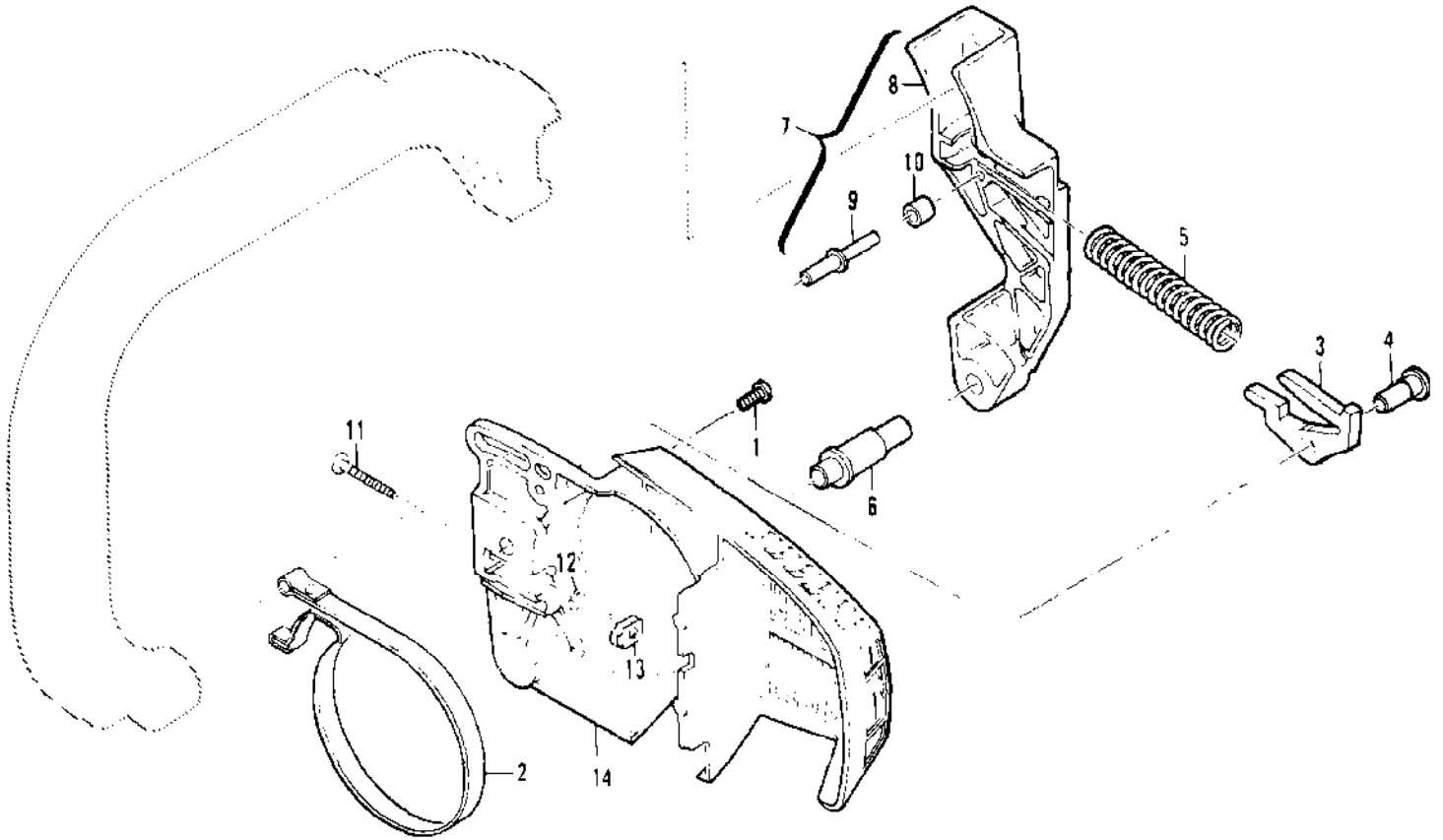
| Ref # | Part Number | Qty | Description |
|-------|-------------|-----|---------------------------------------|
| | 93090 | | Guide - Timing |
| | 214215 | | Guide - File |
| | 90256 | | Kit - Tune-up |
| | 68915A | | Kit - Piston tool |
| | 91485 | | Wrench - Socket |
| | 85687 | | Wrench - Screwdriver |
| | 214211 | | Kit - Tool Maintenance |
| | 93900 | | Kit - Pressure Test |
| | 215432 | | Tool - Pressure Test |
| | 501334 | | Tester - Ignition |
| | 214194 | | Lubri-Gun |
| | 88755 | | Scrench |
| | 214204 | | Kit - Spark arrester screen |
| | 93282 | | Case - Carrying (14" Guard) |
| | 92977 | | Guard - Bar, 14" |
| | 67537 | | Loctite |
| | 69794 | | Locquic |
| | 110083 | | R.T.V. Sealant |
| | 85702 | | Lubricant - Custom 6 oz. can |
| | 85703 | | Lubricant - Custom 6 oz. cans, 6 pack |
| | 214656N | | Chain - AS 370G |
| | 214235 | | Bar - 14" Mini Pro |
| | 214916N | | Chain - AS 370G |
| | 214234 | | Bar - 12" Mini Pro |



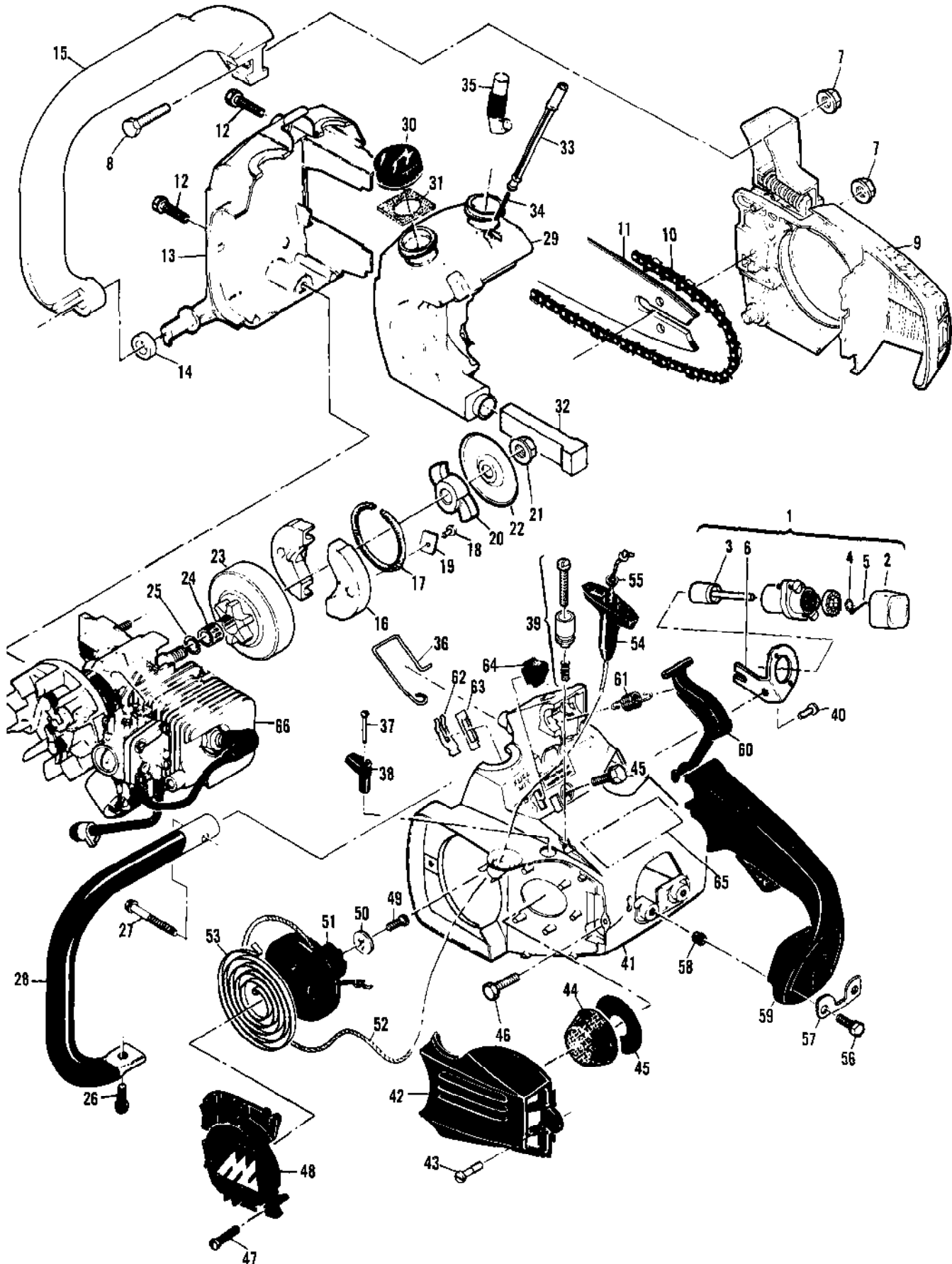
| Ref # | Part Number | Qty | Description |
|-------|-------------|-----|----------------------------------------------------|
| | 214082 | 1 | Carburetor Asy - Walbro MDC 15 |
| 1 | | 2 | Screw - Plate Not available separately. |
| 2 | | 1 | Plate - Choke Not available separately. |
| 3 | | 1 | Ball - Choke friction Not available separately. |
| 4 | | 1 | Spring - Choke friction Not available separately. |
| 5 | | 1 | Plate - Throttle Not available separately. |
| 6 | | 1 | Screw - Clip Not available separately. |
| 7 | | 1 | Clip - Throttle shaft Not available separately. |
| 8 | | 1 | Shaft Asy - Throttle Not available separately. |
| 9 | 86446 | 1 | Needle - Idle |
| 10 | 86447 | 1 | Needle - High speed |
| 11 | 67502 | 2 | Spring - Needle |
| 12 | 68564 | 4 | Screw Asy - Body |
| 13 | 91347 | 1 | Cover Asy - Pump |
| 14 | 85629 | 1 | Kit - Vent screen |
| 15 | 68563 | 1 | Diaphragm - Fuel pump |
| 16 | 85035 | 1 | Gasket - Pump diaphragm |
| 17 | | 1 | Body - Fuel pump Not available separately. |
| 18 | 85034 | 1 | Diaphragm - Metering |
| 19 | 85034 | 1 | Gasket - Diaphragm |
| 20 | 67500 | 1 | Screw - Lever pin |
| 21 | 67508 | 1 | Pin - Lever |
| 22 | 85059 | 1 | Kit - Needle & Lever |
| 23 | 68567 | 1 | Spring - Lever |
| 24 | 68559 | 1 | Plug - Welsh 7/16 |
| 25 | 83758 | 1 | Kit - Check valve |
| 26 | 68560 | 1 | Plug - Welsh 1/2 |
| 27 | | 1 | Spring - Throttle return Not available separately. |
| 28 | | 1 | Ring - Retaining Not available separately. |
| 29 | 93437 | 1 | Latch Asy - Throttle |
| 30 | | 1 | Screw - Long lock |
| 31 | | 1 | Latch - Throttle Not available separately. |
| 32 | | 1 | Spring - Compression Not available separately. |
| | 86463 | 1 | Repair Kit |
| | 216731 | | Repair Kit |
| | 216727 | | Repair Kit |
| | 216725 | | Repair Kit |



| Ref # | Part Number | Qty | Description |
|-------|-------------|-----|-----------------------------------------------------|
| | 214082 | 1 | Carburetor Asy - Zama M1-M7 |
| 1 | | 2 | Screw - Plate Not available separately. |
| 2 | | 1 | Valve - Choke Not available separately. |
| 3 | | 1 | Valve - Throttle Not available separately. |
| 4 | | 1 | Spring - Choke Not available separately. |
| 5 | | 1 | Ball - Friction Not available separately. |
| 6 | | 1 | "E" Ring Not available separately. |
| 7 | | 1 | Shaft Assembly - Throttle Not available separately. |
| 8 | | 1 | Spring - Throttle return Not available separately. |
| 9 | 215275 | 1 | Screw - Idle adjustment |
| 10 | 215276 | 1 | Screw - Main adjustment |
| 11 | 91819 | 2 | Spring - Screw |
| 12 | | 4 | Screw - Cover Not available separately. |
| 13 | 215283 | 1 | "C" Ring |
| 14 | 215284 | 1 | Strainer |
| 15 | | 1 | Cover - Pump Not available separately. |
| 16 | 91820 | 1 | Screen |
| 17 | | 1 | Kit - Pump diaphragm |
| 18 | 215281 | 1 | Body - Pump |
| 19 | 215282 | 1 | Diaphragm - Main |
| 20 | 215280 | 1 | Gasket - Main |
| 21 | 215277 | 1 | Disk |
| 22 | 91814 | 1 | Screw |
| 23 | 91813 | 1 | Pin - Arm |
| 24 | 215278 | 1 | Arm - Needle valve |
| 25 | 91811 | 1 | Spring - Arm |
| 26 | 91810 | 1 | Valve - Needle |
| 27 | 93951 | 1 | Plug - Welsh |
| 28 | 215287 | 1 | Valve Asy - Main nozzle |
| 29 | 93437 | 1 | Latch Assembly - Throttle |
| | 216721 | | Repair Kit |
| | 216722 | | Repair Kit |
| | 216734 | | Repair Kit |

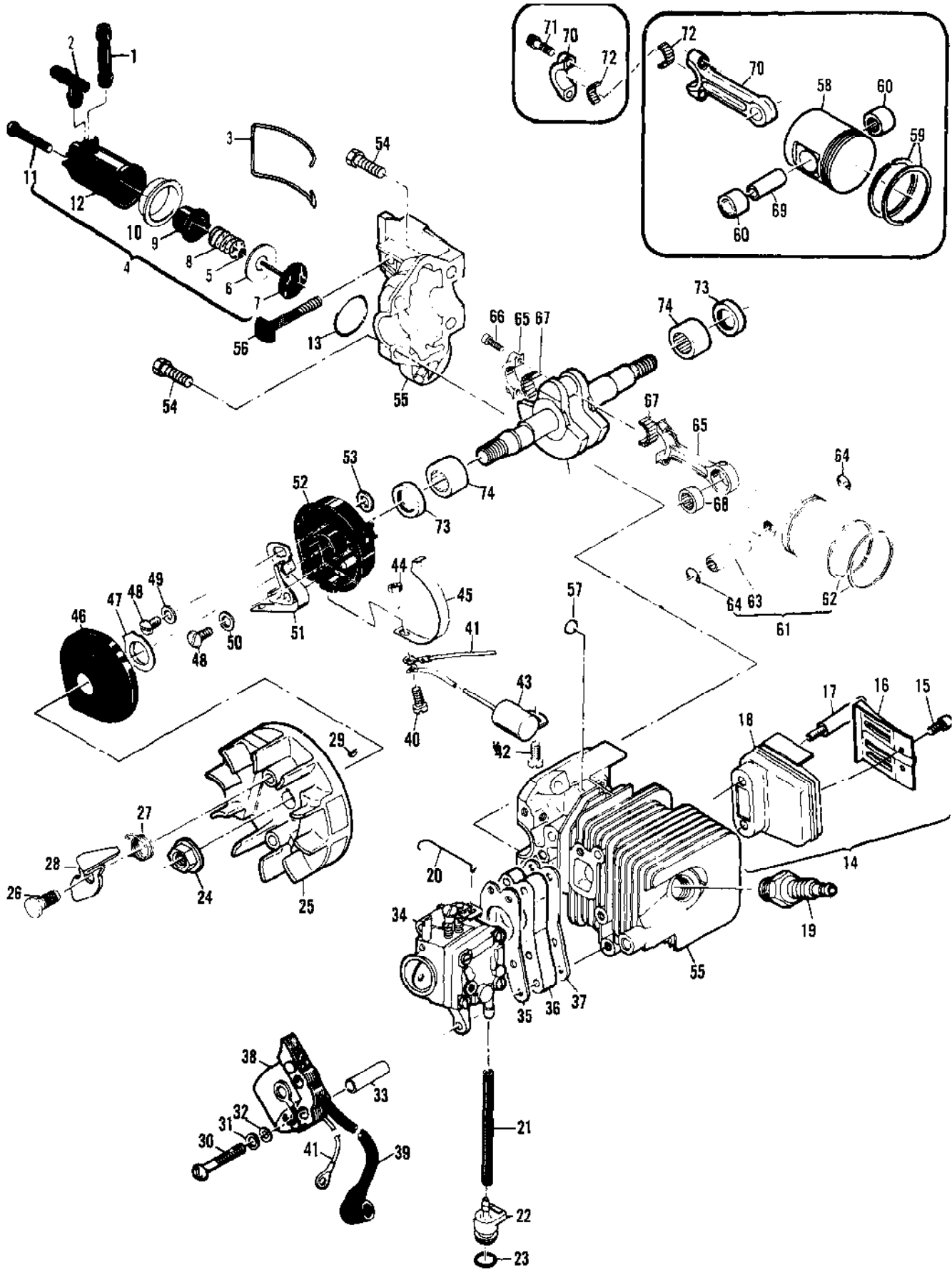


| Ref # | Part Number | Qty | Description |
|-------|-------------|-----|--------------------------|
| | 214376 | 1 | CHAIN BRAKE Assembly |
| 1 | 111047 | 1 | Screw-Pan hd 8-32 x 5/8 |
| 2 | 94709 | 1 | Band-Brake |
| 3 | 94006 | 1 | Latch |
| 3 | 215758 | 1 | Latch |
| 4 | 93602 | 1 | Pivot-Latch |
| 5 | 94007 | 1 | Spring-Compression |
| 5 | 93140 | 1 | Spring-Compression |
| 6 | 92482 | 1 | Pivot-Lever |
| 7 | 214375 | 1 | Lever Assembly-Actuating |
| 8 | 92867 | 1 | Lever |
| 9 | 213907 | 1 | Pin-Roller |
| 10 | 214368 | 1 | Bearing-Roller |
| 11 | 90658 | 1 | Screw-Adjusting |
| 12 | 110907 | 1 | Ring-Retaining |
| 13 | 84929 | 1 | Nut-Bar adjusting |
| 14 | 94175 | 1 | Housing-Brake |
| 14 | 94180 | 1 | Housing-Brake |



| Ref # | Part Number | Qty | Description |
|-------|-------------|-----|------------------------------------------------------------------------------------------------------------|
| 1 | 215664 | 1 | Grinder Asy-AUTO-SHARP |
| 2 | 215447 | 1 | Knob |
| 3 | 216707 | 1 | Wheel Assembly-Grinding |
| 4 | 216134 | 1 | Washer |
| 5 | 216133 | 1 | Pin-Cotter |
| 6 | 215209 | 1 | Bracket-AUTO-SHARP |
| 7 | 110676 | 2 | Nut-Hx 1/4-28 |
| 8 | 110972 | 1 | Screw-Hx 1/4-28 x 3/4 |
| 9 | | | CHAIN BRAKE Assembly Not available separately. See "Chain Brake Assembly" illustrations and parts list. |
| 10 | | 1 | Chain Assembly Not available separately. See "Tools & Accessories" illustrations and parts list. |
| 11 | | 1 | Bar Assembly Not available separately. See "Tools & Accessories" illustrations and parts list. |
| 12 | 110639 | 2 | Screw-Hx hd 12-24 x 1 |
| 13 | 214718 | 1 | Cover-Fuel & Oil tank |
| 14 | 93194A | 1 | Washer-Rubber |
| 15 | 92479 | 1 | Lever-Handguard |
| 16 | 213278 | 1 | Kit-Clutch |
| 17 | 93608 | 1 | Spring Assembly |
| 18 | 110957 | 2 | Rivet |
| 19 | 85064 | 2 | Plate |
| 20 | 94247 | 1 | Kit-Rotor |
| 21 | 94244 | 1 | Nut-Clutch |
| 22 | 94243 | 1 | Plate-Dust |
| 23 | 214390 | 1 | Drum/Sprocket/Bearing Asy |
| 24 | 91222 | 1 | Kit-Needle bearing |
| 25 | 215259 | 1 | Washer |
| 26 | 110953 | 1 | Screw-Hx hd 12-24 x 5/8 |
| 27 | 110686 | 1 | Screw-Hx hd 13-16 x 2 |
| 28 | 214505 | 1 | Frame & Grip Assembly |
| 29 | 91454A | 1 | Kit-Fuel & Oil Tank |
| 30 | 91283 | 2 | Cap-Fuel & Oil (unvented) |
| 31 | 91148 | 1 | Seal-Fuel vent |
| 32 | 84956 | 1 | Pickup-Fuel |
| 33 | 213906 | 1 | Piston-Manual oiler |
| 34 | 83946 | 1 | Spring-Piston |
| 35 | 85557 | 1 | Body-Oiler |
| 36 | 84611 | 1 | Rod-Manual oiler |
| 37 | 110672 | 1 | Screw-Oval hd 4-40 x 1 |
| 38 | 83870 | 1 | Knob-Choke |
| 39 | | | Throttle Latch Asy Not available separately. See "Carburetor Assembly" illustrations and parts list. |
| 40 | 110583 | 2 | Screw-Pan hd 8-32 x 1/2 (SEMS) |
| 41 | 214271 | 1 | Shroud |
| 42 | 91853 | 1 | Cover-Air cleaner |
| 43 | 91796 | 1 | Screw-Air cleaner |
| 44 | 91460 | 1 | Filter-Air |
| 45 | 84918 | 1 | Washer-Air seal |
| 46 | 110953 | 3 | Screw-Hx hd 12-24 x 5/8 |
| 47 | 110959 | 3 | Screw-Hx hd 8-32 x 1/2 |
| 48 | 90425 | 1 | Cover-Starter |

| Ref # | Part Number | Qty | Description |
|-------|-------------|-----|--------------------------------------------------------------------------------------------------------|
| 49 | 110041 | 1 | Screw-Pan hd 8-32 x 1/2 |
| 50 | 68497 | 1 | Washer-Special |
| 51 | 213261 | 1 | Drum/Rope Assembly |
| 52 | 83203 | 1 | Rope-Starter |
| 53 | 83078 | 1 | Spring-Rewind |
| 54 | 91255 | 1 | Kit-Starter handle |
| 55 | 105490 | 1 | Washer-Starter handle |
| 56 | 110953 | 2 | Screw-Hx hd 12-24 x 5/8 |
| 57 | 84520A | 1 | Plate-Washer |
| 58 | 84519 | 2 | Sleeve-Handle |
| 59 | 93810 | 1 | Kit-Handle |
| 60 | 93869 | 1 | Trigger |
| 61 | 83940 | 1 | Spring-Trigger |
| 62 | 83935 | 1 | Contact-Switch |
| 63 | 83936 | 1 | Protector-Switch |
| 64 | 83934 | 1 | Button-Switch |
| 65 | 95769 | 1 | Plate-Name |
| 65 | 93730 | 1 | Plate-Name, French |
| 66 | | | Powerhead Assembly Not available separately. See "Powerhead Assembly" illustrations and parts list. |



| Ref # | Part Number | Qty | Description |
|-------|-------------|-----|------------------------------------------------|
| 1 | 83898 | 1 | Connector-Outlet |
| 2 | 84613 | 1 | Connector-Pump |
| 3 | 83896 | 1 | Bail-Mounting |
| 4 | 215739 | 1 | Pump Assembly |
| 5 | | 1 | "O" Ring Not available separately. |
| 6 | | 1 | Ring-Pump piston Not available separately. |
| 7 | | 1 | Piston Assembly-Pump Not available separately. |
| 8 | 83891 | 1 | Spring-Pump |
| 9 | | 1 | Sleeve-Pump Not available separately. |
| 10 | | 1 | Eyelet Not available separately. |
| 11 | 110651 | 1 | Screw-Adjustment |
| 12 | | 1 | Body Assembly-Pump Not available separately. |
| 13 | 110653 | 1 | "O" Ring |
| 14 | 215411 | 1 | Kit-Muffler |
| 15 | 110681 | 2 | Screw-Skt hd 10-24 x 1/4 |
| 16 | 92961 | 1 | Deflector-Exhaust |
| 17 | 213327 | 2 | Screw-Special |
| 18 | 215397 | 1 | Body-Cover Not available separately. |
| 14 | 215412 | 1 | Kit-Muffler Not available separately. |
| 15 | 110681 | 2 | Screw-Skt hd 10-24 x 1/4 |
| 16 | 92961 | 1 | Deflector-Exhaust |
| 17 | 93036 | 2 | Screw-Special |
| 18 | 93655 | 1 | Body-Cover |
| 19 | 214223 | 1 | Spark Plug Not available separately. |
| 19 | 93018 | 1 | Spark Plug |
| 20 | 89274 | 1 | Rod-Throttle |
| 21 | 89059 | 1 | Hose-Fuel Not available separately. |
| 22 | 90660 | 1 | Adaptor-Fuel hose |
| 23 | 110908 | 1 | "O" Ring |
| 24 | 110961 | 1 | Nut-Hx 5/16-24 |
| 25 | 94513 | 1 | Flywheel-Pawl Assembly |
| 26 | 68796 | 2 | Pin-Pawl |
| 27 | 67814 | 2 | Spring-Pawl |
| 28 | 94493 | 2 | Pawl-Starter |
| 25 | 94737 | 1 | Flywheel/Pawl Assembly |
| 26 | 68796 | 2 | Pin-Pawl |
| 27 | 67814 | 2 | Spring-Pawl |
| 28 | 213261 | 2 | Pawl-Starter |
| 29 | 102164 | 1 | Key-Woodruff |
| 30 | 110586 | 3 | Screw-Pan hd 8-32 x 1-3/4 |
| 31 | 105976 | 3 | Washer-#8 |
| 32 | 67177 | 3 | Washer-Insulating |
| 33 | 68198 | 3 | Tube-Insulating |
| 34 | | | Carburetor Assembly |
| 35 | 68197 | 1 | Gasket-Carburetor |
| 36 | 214349 | 1 | Insulator-Carburetor |
| 37 | 90714 | 1 | Gasket-Insulator |
| 38 | 84957 | 1 | Coil & Lamination Assembly |
| 39 | 50120 | 1 | Wire Assembly-Spark plug |
| 40 | 110617 | 1 | Screw-Pan hd 6-12 x 5/8 |
| 41 | 69344 | 1 | Wire Assembly-Coil |
| 42 | 110041 | 1 | Screw-Pan hd 8-32 x 1/2 s/t |
| 43 | 85358 | 1 | Condenser |
| 44 | 100035 | 1 | Nut-Hx 6-32 |
| 45 | 84502 | 1 | Connector-Stop switch |

| Ref # | Part Number | Qty | Description |
|-------|-------------|-----|---------------------------|
| 46 | 67841 | 1 | Cover-Breaker box |
| 47 | 69323 | 1 | Seal-Breaker box |
| 48 | 110969 | 2 | Screw-Hx hd 8-32 x 1/2 |
| 49 | 69322 | 1 | Washer-Special |
| 50 | 105976 | 1 | Washer-#8 |
| 51 | 88811 | 1 | Breaker Assembly |
| 52 | 84505A | 1 | Kit-Breaker box |
| 53 | 92037 | 1 | Washer |
| 54 | 110639 | 4 | Screw-Hx hd 12-24 x 1 |
| 55 | 214157 | 1 | Kit-Cyl/C'case Assembly |
| 56 | 83856 | 1 | Bolt-Bar mounting |
| 57 | 110914 | 4 | Plug-Cup |
| 55 | 214164 | 1 | Cyl/C'case Assembly |
| 56 | 83856 | 1 | Bolt-Bar mounting |
| 57 | 110914 | 4 | Plug-Cup |
| 58 | 68098 | 1 | Piston Assembly |
| 59 | 87165 | 1 | Set-Piston rings |
| 60 | 110538 | 2 | Bearing-Needle |
| 61 | 94662 | 1 | Piston Assembly |
| 62 | 95143 | 1 | Set-Piston rings |
| 63 | 92836 | 1 | Pin-Piston |
| 64 | 111026 | 2 | Ring-Snap |
| 65 | 94135 | 1 | Connecting Rod Assembly |
| 66 | 94654 | 2 | Screw-Connecting rod |
| 67 | 68095 | 1 | Roller-Needle (Set of 20) |
| 68 | 110984 | 1 | Bearing-Needle |
| 69 | 66867 | 1 | Pin-Piston |
| 70 | 68097 | 1 | Connecting Rod Assembly |
| 71 | 94654 | 2 | Screw-Special |
| 72 | 68095 | 1 | Roller-Needle (Set of 20) |
| 73 | 83859 | 2 | Seal-Oil |
| 74 | 213282 | 2 | Bearing-Crankshaft |
| 75 | 91932 | 1 | Crankshaft |