

INTRODUCTION

THANK YOU

Thank you for buying this quality product. This modern outdoor power tool will provide many hours of useful service. You will find it to be a great labor-saving device. This operator's manual provides you with easy-to-understand operating instructions. Read the whole manual and follow all the instructions to keep your new outdoor power tool in top operating condition.

PRODUCT REFERENCES, ILLUSTRATIONS AND SPECIFICATIONS

All information, illustrations, and specifications in this manual are based on the latest product information available at the time of printing. We reserve the right to make changes at any time without notice.

Copyright© 2005 MTD SOUTHWEST INC, All Rights Reserved.

Bump Head^a is a trademark of MTD SOUTHWEST INC.
SplitLine^a is a trademark of MTD SOUTHWEST INC.

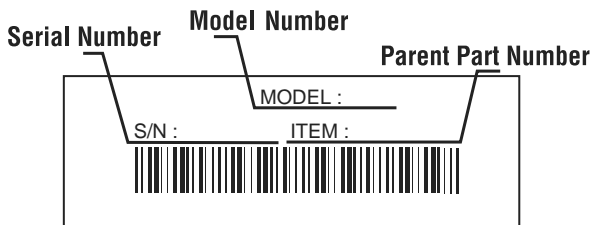
SERVICE INFORMATION

Service on this unit both within and after the warranty period should be performed only by an authorized and approved service dealer.

For service call 1-800-345-8746 in the United States, or 1-800-668-1238 in Canada to obtain a list of authorized service dealers near you. For more details about your unit, visit our website at www.yardmachines.com.

DO NOT RETURN THE UNIT TO THE RETAILER. PROOF OF PURCHASE WILL BE REQUIRED FOR WARRANTY SERVICE.

Before beginning, locate the unit's model plate. It lists the model and serial numbers of your unit. Refer to the sample plate below and copy the information for future reference.



Copy the model and parent part number here: _____

Copy the serial number here: _____

Make sure you carefully read and understand this manual before starting or operating this equipment.

THIS PRODUCT IS COVERED BY ONE OR MORE U.S. PATENTS. OTHER PATENTS PENDING.


TABLE OF CONTENTS

Service Information	2
Rules for Safe Operation	3
Know Your Unit	6
Assembly Instructions	7
Oil and Fuel Information	8
Starting/Stopping Instructions	9
Operating Instructions	10
Maintenance and Repair Instructions	11
Cleaning and Storage	16
Troubleshooting Chart	17
Specifications	18
Warranty Information	20
Parts List	Inside Back Cover


SPARK ARRESTOR NOTE

NOTE: For users on U.S. Forest Land and in the states of California, Maine, Oregon and Washington. All U.S. Forest Land and the state of California (Public Resources Codes 4442 and 4443), Oregon and Washington require, by law that certain internal combustion engines operated on forest brush and/or grass-covered areas be equipped with a spark arrestor, maintained in effective working order, or the engine be constructed, equipped and maintained for the prevention of fire. Check with your state or local authorities for regulations pertaining to these requirements. Failure to follow these requirements could subject you to liability or a fine. This unit is factory equipped with a spark arrestor. If it requires replacement, ask your LOCAL SERVICE DEALER to install the Accessory Part #753-04618 Spark Arrestor Kit.

CALIFORNIA PROPOSITION 65 WARNING



WARNING




THE ENGINE EXHAUST FROM THIS PRODUCT CONTAINS CHEMICALS KNOWN TO THE STATE OF CALIFORNIA TO CAUSE CANCER, BIRTH DEFECTS OR OTHER REPRODUCTIVE HARM.

RULES FOR SAFE OPERATION

The purpose of safety symbols is to attract your attention to possible dangers. The safety symbols, and their explanations, deserve your careful attention and understanding. The safety warnings do not by themselves eliminate any danger. The instructions or warnings they give are not substitutes for proper accident prevention measures.

SYMBOL	MEANING
--------	---------

	SAFETY ALERT: Indicates danger, warning or caution. Attention is required in order to avoid serious personal injury. May be used in conjunction with other symbols or pictographs.
---	---

NOTE: Advises you of information or instructions vital to the operation or maintenance of the equipment.


Read the Operator's Manual(s) and follow all warnings and safety instructions.


Failure to do so can result in serious injury to the operator and/or bystanders.

FOR QUESTIONS, CALL 1-800-345-8746 in the United States, or 1-800-668-1238 in Canada

SYMBOL	MEANING
--------	---------

	DANGER: Failure to obey a safety warning will result in serious injury to yourself or to others. Always follow the safety precautions to reduce the risk of fire, electric shock and personal injury.
---	--


	WARNING: Failure to obey a safety warning can result in injury to yourself and others. Always follow the safety precautions to reduce the risk of fire, electric shock and personal injury.
---	--

	CAUTION: Failure to obey a safety warning may result in property damage or personal injury to yourself or to others. Always follow the safety precautions to reduce the risk of fire, electric shock and personal injury.
---	--

¥ IMPORTANT SAFETY INSTRUCTIONS ¥

READ ALL INSTRUCTIONS

BEFORE OPERATING

	WARNING: When using the unit, you must follow the safety rules. Please read these instructions before operating the unit in order to ensure the safety of the operator and any bystanders. Please keep these instructions for later use.
---	---

- ¥ Read the instructions carefully. Be familiar with the controls and proper use of the unit.
- ¥ Do not operate this unit when tired, ill or under the influence of alcohol, drugs or medication.
- ¥ Children under the age of 15 must not use the unit; teens may operate the unit with adult guidance.
- ¥ Inspect the unit before use. Replace damaged parts. Check for fuel leaks. Make sure all fasteners are in place and secure. Replace cutting attachment parts that are cracked, chipped or damaged in any way. Make sure the cutting attachment is properly installed and securely fastened. Be sure that the cutting attachment shield is properly attached, and positioned as recommended. Failure to do so can result in personal injury to the operator and bystanders, as well as damage to the unit.
- ¥ Use only 0.080 inch (2.03 mm) diameter original equipment manufacturer replacement line. Never use metal-reinforced line, wire, chain or rope. These can break off and become dangerous projectiles.

¥ Be aware of risk of injury to the head, hands and feet.

¥ Clear the area to be cut before each use. Remove rocks, broken glass, nails, wire, string and other objects which may be thrown or become entangled in the cutting attachment. Clear the area of children, bystanders and pets; keep them outside a 50-foot (15 m.) radius, at a minimum. Even then, they are still at risk from thrown objects. Encourage bystanders to wear eye protection. If you are approached, stop the unit immediately.

¥ Squeeze the throttle control and check that it returns automatically to the idle position. Make all adjustments or repairs before using the unit.

¥ This unit was not designed to be used as a brushcutter. Do not attach or operate this unit with any type of brushcutting blade or brushcutting attachment.

SAFETY WARNINGS FOR GAS TRIMMERS

	WARNING: Gasoline is highly flammable, and its vapors can explode if ignited. Take the following precautions:
---	--

- ¥ Store fuel only in containers specifically designed and approved for the storage of such materials.
- ¥ Always stop the engine and allow it to cool before filling the fuel tank. Never remove the fuel tank cap or add fuel when the engine is hot. Never operate the unit without the fuel cap securely in place. Loosen the fuel tank cap slowly to relieve any pressure in the tank.

RULES FOR SAFE OPERATION

- ✘ Add fuel in a clean, well-ventilated outdoor area where there are no sparks or flames. Remove the fuel cap slowly, and only after the engine stops. Do not smoke while fueling or mixing fuel. Wipe up any spilled fuel from the unit immediately.
- ✘ Avoid creating a source of ignition for spilled fuel. Do not start the engine until fuel vapors dissipate.
- ✘ Move the unit at least 30 feet (9.1 m) from the fueling source and site before starting the engine. Do not smoke. Keep sparks and open flames away from the area while adding fuel or operating the unit.

WHILE OPERATING

- ✘ Never start or run the unit inside a closed room or building. Breathing exhaust fumes can be fatal. Operate this unit only in a well-ventilated outdoor area.
- ✘ Wear safety glasses or goggles that meet ANSI Z87.1 standards and are marked as such. Wear ear/hearing protection when operating this unit. Wear a face or dust mask if the operation is dusty.
- ✘ Wear heavy long pants, boots, gloves and a long sleeve shirt. Do not wear loose clothing, jewelry, short pants, sandals or go barefoot. Secure hair above shoulder level.
- ✘ The cutting attachment shield must always be in place while operating the unit. Do not operate unit without both trimming lines extended, and the proper line installed. Do not extend the trimming line beyond the length of the shield.
- ✘ This unit does not have a clutch. The cutting attachment continues rotating when the engine is idling. If it does not, have the unit adjusted by an authorized service technician.
- ✘ Adjust the D-handle to your size in order to provide the best grip.
- ✘ Be sure the cutting attachment is not in contact with anything before starting the unit.
- ✘ Use the unit only in daylight or good artificial light.
- ✘ Avoid accidental starting. Be in the starting position whenever pulling the starter rope. The operator and unit must be in a stable position while starting. Refer to *Starting/Stopping Instructions*.
- ✘ Use the right tool. Only use this tool for its intended purpose.
- ✘ Do not overreach. Always keep proper footing and balance.
- ✘ Always hold the unit with both hands when operating. Keep a firm grip on both handles or grips.
- ✘ Keep hands, face, and feet at a distance from all moving parts. Do not touch or try to stop the cutting attachment when it rotates.

- ✘ Do not touch the engine, gear housing or muffler. These parts get extremely hot from operation, even after the unit is turned off.
- ✘ Do not operate the engine faster than the speed needed to cut, trim or edge. Do not run the engine at high speed when not cutting.
- ✘ Always stop the engine when cutting is delayed or when walking from one cutting location to another.
- ✘ If you strike or become entangled with a foreign object, stop the engine immediately and check for damage. Do not operate before repairing damage. Do not operate the unit with loose or damaged parts.
- ✘ Stop the unit, switch the engine to off, and disconnect the spark plug for maintenance or repair.
- ✘ Use only original equipment manufacturer replacement parts and accessories for this unit. These are available from your authorized service dealer. Use of any unauthorized parts or accessories could lead to serious injury to the user, or damage to the unit, and void your warranty.
- ✘ Keep unit clean of vegetation and other materials. They may become lodged between the cutting attachment and shield.
- ✘ To reduce fire hazard, replace a faulty muffler and spark arrestor. Keep the engine and muffler free from grass, leaves, excessive grease or carbon build up.

OTHER SAFETY WARNINGS

- ✘ Never store a fueled unit inside a building where fumes may reach an open flame or spark.
- ✘ Allow the engine to cool before storing or transporting. Be sure to secure the unit while transporting.
- ✘ Store the unit in a dry area, locked up or up high to prevent unauthorized use or damage, out of the reach of children.
- ✘ Never douse or squirt the unit with water or any other liquid. Keep handles dry, clean and free from debris. Clean after each use, see *Cleaning and Storage* instructions.
- ✘ Keep these instructions. Refer to them often and use them to instruct other users. If you loan someone this unit, also loan them these instructions.

**SAVE THESE
INSTRUCTIONS**

RULES FOR SAFE OPERATION

SAFETY AND INTERNATIONAL SYMBOLS

This operator's manual describes safety and international symbols and pictographs that may appear on this product. Read the operator's manual for complete safety, assembly, operating and maintenance and repair information.

SYMBOL



MEANING

⚠ SAFETY ALERT SYMBOL

Indicates danger, warning, or caution. May be used in conjunction with other symbols or pictographs.



📖 WARNING - READ OPERATOR'S MANUAL

Read the Operator's Manual(s) and follow all warnings and safety instructions. Failure to do so can result in serious injury to the operator and/or bystanders.



👁️ WEAR EYE AND HEARING PROTECTION

WARNING: Thrown objects and loud noise can cause severe eye injury and hearing loss. Wear eye protection meeting ANSI Z87.1-1989 standards and ear protection when operating this unit. Use a full face shield when needed.



🚫 KEEP BYSTANDERS AWAY

WARNING: Keep all bystanders, especially children and pets, at least 50 feet (15 m.) from the operating area.



⛽ UNLEADED FUEL

Always use clean, fresh unleaded fuel.

SYMBOL



MEANING

🚧 THROWN OBJECTS AND ROTATING CUTTER CAN CAUSE SEVERE INJURY

WARNING: Do not operate without the cutting attachment shield in place. Keep away from the rotating cutting attachment.



⏻ ON/OFF STOP CONTROL
ON / START / RUN

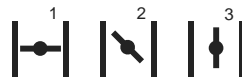


⏻ ON/OFF STOP CONTROL
OFF or STOP



🔥 HOT SURFACE WARNING

Do not touch a hot muffler or cylinder. You may get burned. These parts get extremely hot from operation. When turned off they remain hot for a short time.



🚰 CHOKE CONTROL

1 🚰 FULL choke position
2 🚰 PARTIAL choke position
3 🚰 RUN position



🛢️ OIL

Refer to operator's manual for the proper type of oil.

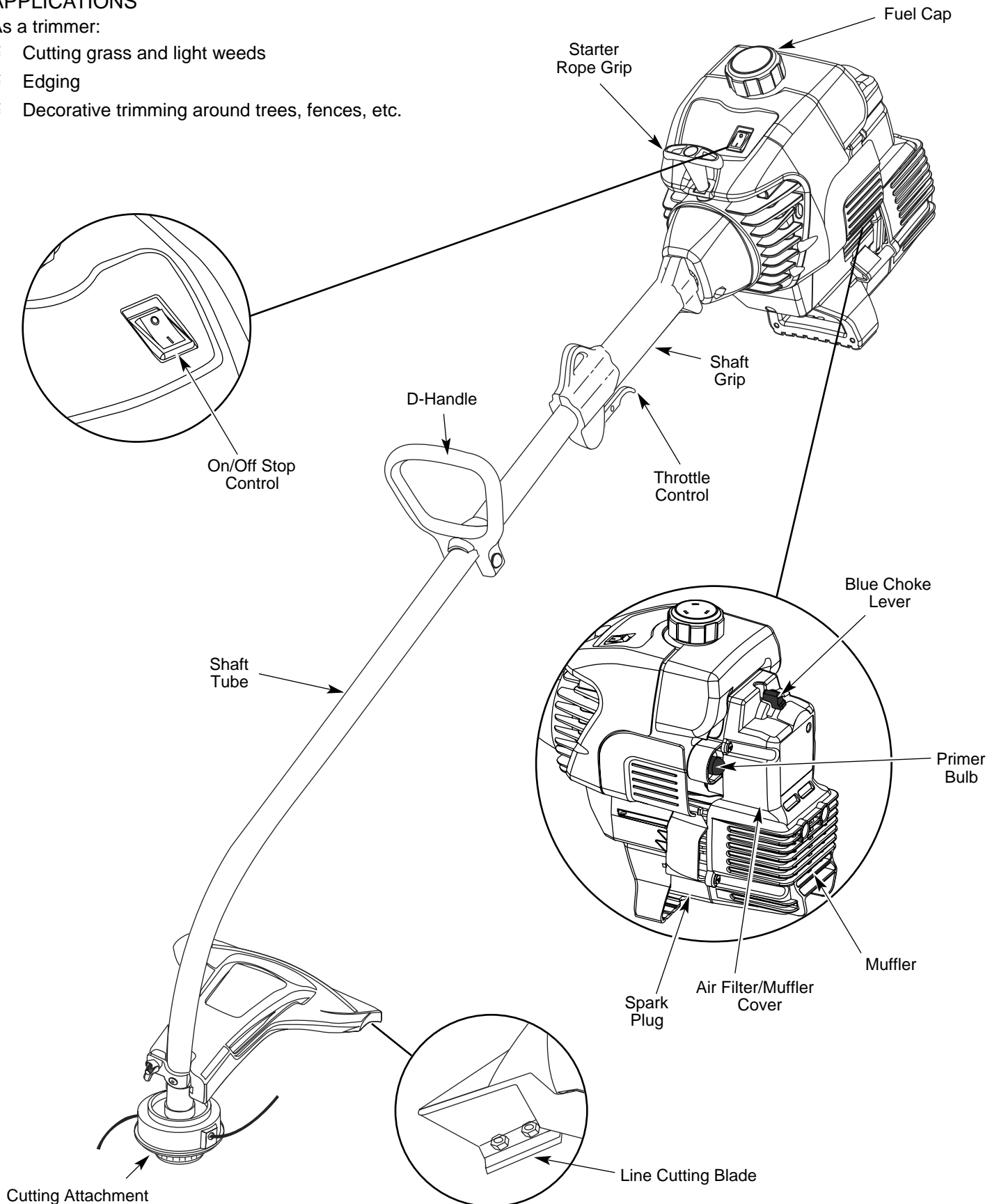
RULES FOR SAFE OPERATION

KNOW YOUR UNIT

APPLICATIONS

As a trimmer:

- ¥ Cutting grass and light weeds
- ¥ Edging
- ¥ Decorative trimming around trees, fences, etc.



ASSEMBLY INSTRUCTIONS

INSTALL AND ADJUST THE D-HANDLE

1. Push the D-handle down onto the shaft housing so that the handle slants towards the shaft grip (Fig. 1). The squared bolt hole in the handle is to the right.
2. Insert the shoulder bolt into the squared hole in the handle and push through. On the left side of the handle, place the washer on the bolt, then screw the wing nut onto the bolt. Do not tighten until you make the handle adjustment.
3. Rotate the D-handle to place the grip above the top of the shaft housing. Place it a minimum of 6 inches (15.24 cm) from the end of the shaft grip.

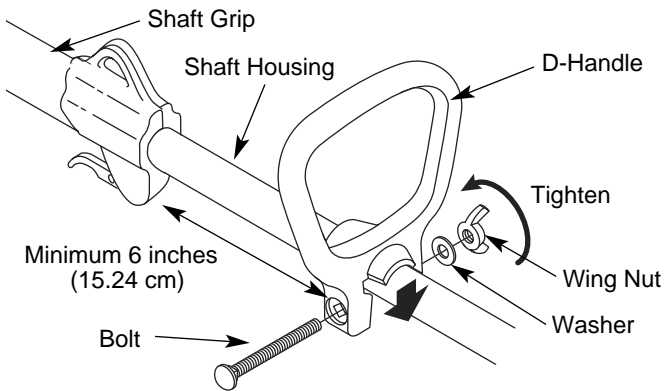


Fig. 1

4. While holding the unit in the operating position (Fig. 2), position the D-handle to the location that provides you the best grip.
5. Tighten the wing nut until the D-handle is secure.



Fig. 2

INSTALL THE CUTTING ATTACHMENT SHIELD

Use the following instructions if the cutting attachment shield on your unit is not installed.



WARNING: Never operate the trimmer without the cutting attachment shield in place to prevent serious personal injury.

1. Place the cutting attachment shield onto the shaft housing. Be sure the guard mounting bracket slides into the slot on the edge of the cutting shield. Rotate the shield into place, counterclockwise. The holes in the guard mounting bracket and cutting attachment shield will line up (Fig. 3).

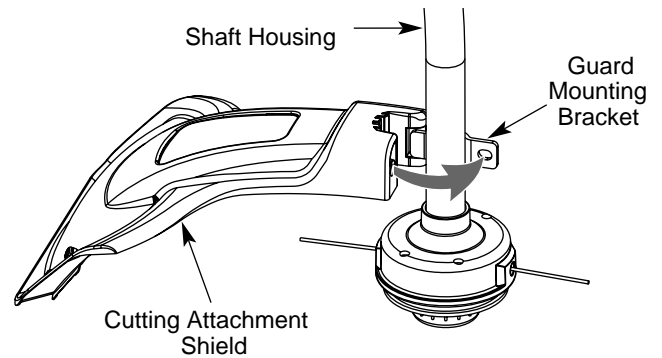


Fig. 3

2. From inside the cutting attachment shield, push the square bolt through the hole until the threaded end protrudes through the guard mounting bracket (Fig. 4).

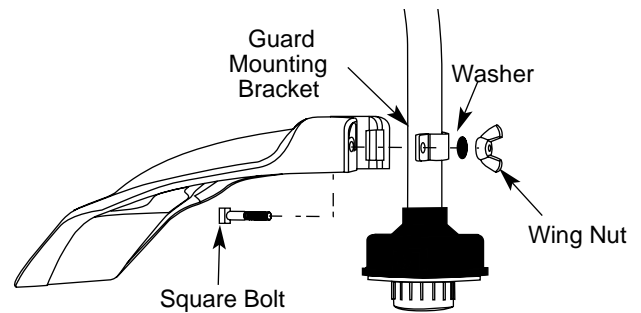
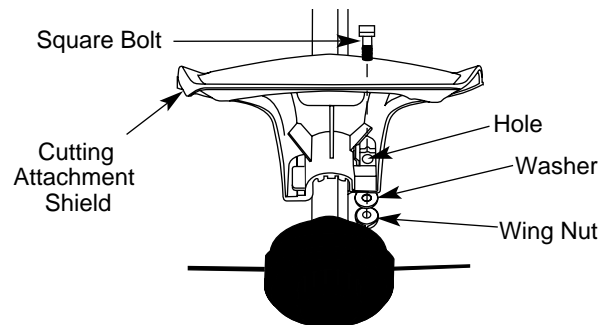


Fig. 4

3. Put the washer on the bolt, then screw the wing nut onto the bolt and tighten. Figure 5 shows the installation process from underneath the unit.



Cutting Attachment and Shield: Underside View

Fig. 5

OIL AND FUEL INFORMATION

OIL AND FUEL MIXING INSTRUCTIONS

Old and/or improperly mixed fuel are the main reasons for the unit not running properly. Be sure to use fresh, clean unleaded fuel. Follow the instructions carefully for the proper fuel/oil mixture.

Definition of Blended Fuels

Today's fuels are often a blend of gasoline and oxygenates such as ethanol, methanol, or MTBE (ether). Alcohol-blended fuel absorbs water. As little as 1% water in the fuel can make fuel and oil separate. It forms acids when stored. When using alcohol-blended fuel, use fresh fuel (less than 60 days old).

Using Blended Fuels


If you choose to use a blended fuel, or its use is unavoidable, follow recommended precautions:

- ¥ Always use the fresh fuel mix explained in your operator's manual
- ¥ Always agitate the fuel mix before fueling the unit
- ¥ Drain the tank and run the engine dry before storing the unit

Using Fuel Additives



The bottle of 2-cycle oil that came with your unit contains a fuel additive which will help inhibit corrosion and minimize the formation of gum deposits. It is recommended that you use our 2-cycle oil with this unit.

If unavailable, use a good 2-cycle oil designed for air-cooled engines along with a fuel additive, such as STA-BIL[®] Gas Stabilizer or an equivalent. Add 0.8 oz. (23 ml.) of fuel additive per gallon of fuel according to the instructions on the container. NEVER add fuel additives directly to the unit's fuel tank.


	CAUTION: For proper engine operation and maximum reliability, pay strict attention to the oil and fuel mixing instructions on the 2-cycle oil container. Using improperly mixed fuel can severely damage the engine.
---	---


Thoroughly mix the proper ratio of 2-cycle engine oil with unleaded gasoline in a separate fuel can. Use a 40:1 fuel/oil ratio. Do not mix them directly in the engine fuel tank. See the table below for specific gas and oil mixing ratios.


NOTE: One gallon (3.8 liters) of unleaded gasoline mixed with one 3.2 oz. (95 ml.) bottle of 2-cycle oil makes a 40:1 fuel/oil ratio.

	+	
UNLEADED GAS		2 CYCLE OIL
1 GALLON US (3.8 LITERS)		3.2 FL. OZ. (95 ml)
1 LITER		25 ml

MIXING RATIO - 40:1

	WARNING: Gasoline is extremely flammable. Ignited Vapors may explode. Always stop the engine and allow it to cool before filling the fuel tank. Do not smoke while filling the tank. Keep sparks and open flames at a distance from the area.
--	--

	WARNING: Remove fuel cap slowly to avoid injury from fuel spray. Never operate the unit without the fuel cap securely in place .
---	---

	WARNING: Add fuel in a clean, well ventilated outdoor area. Wipe up any spilled fuel immediately. Avoid creating a source of ignition for spilt fuel. Do not start the engine until fuel vapors dissipate.
---	---

NOTE: Dispose of the old fuel/oil mix in accordance to Federal, State and Local regulations.

STARTING/STOPPING INSTRUCTIONS



WARNING: Operate this unit only in a well-ventilated outdoor area. Carbon monoxide exhaust fumes can be lethal in a confined area.



WARNING: Avoid accidental starting. Make sure you are in the starting position when pulling the starter rope (Fig. 8). To avoid serious injury, the operator and unit must be in a stable position while starting.

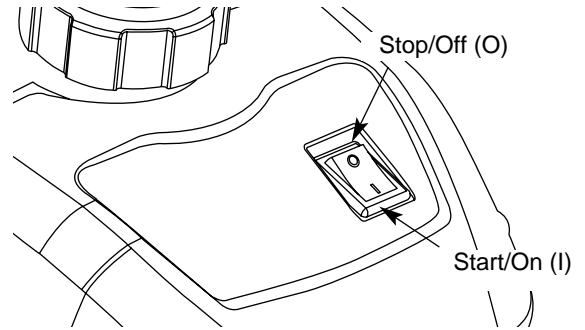


Fig. 6

STARTING INSTRUCTIONS

1. Mix gas with oil. Fill fuel tank with fuel/oil mixture. See *Oil and Fuel Mixing Instructions*.
2. Make sure the On/Off Stop Control in the ON (I) position (Fig. 6).
3. Fully press and release the primer bulb 10 times, slowly. Some amount of fuel should be visible in the primer bulb and fuel lines (Fig. 7). If you can't see fuel in the bulb, press and release the bulb as many times as it takes before you can see fuel in it.
4. Place the blue choke lever in Position 1 (Fig. 7).
5. Crouch in the starting position (Fig. 8) and squeeze the throttle control. Pull the starter rope out with a controlled and steady motion 5 times.
6. Place the blue choke lever in Position 2 .
7. While squeezing the throttle control, pull the starter rope out with a controlled and steady motion until the engine starts.
8. Keep the throttle squeezed and allow the engine to warm up for 15 to 30 seconds.

NOTE: Engine may take longer to warm up and reach maximum operating speed at colder temperatures.

NOTE: Unit is properly warmed up when engine accelerates without hesitation.

9. Once the engine is warmed up, place the blue choke lever in Position 3 (Fig. 7). The unit is ready for use.

IF... The engine hesitates, return choke lever to Position 2 (Fig. 7) and continue warm up.

IF... The engine does not start, go back to step 3.

IF... The engine fails to start after a few attempts, place the blue choke lever in Position 3 and squeeze the throttle control. Pull the starter rope 3 to 8 times. The engine should start. If not, repeat.

IF WARM... If the engine is already warm, make sure the On/Off Stop control is in the ON position and start the unit with the blue choke lever in Position 2 . After the unit starts, move the blue choke lever to Position 3 .

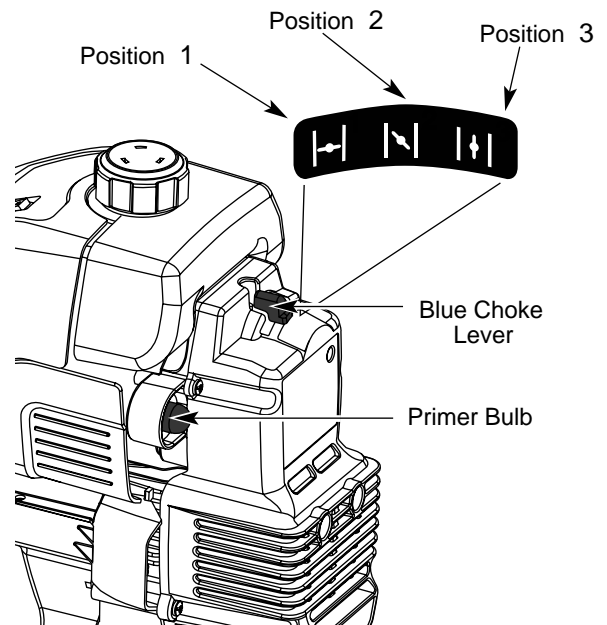


Fig. 7

STOPPING INSTRUCTIONS

1. Release your hand from the throttle control. Allow the engine to cool down by idling.
2. Put the On/Off Stop Control in the OFF (O) position.

Starting Position

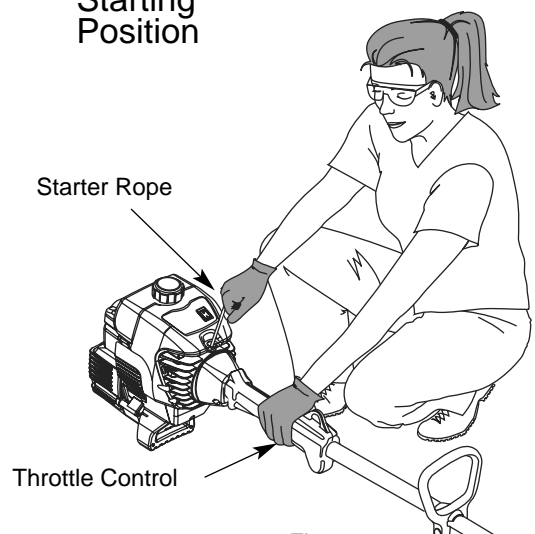


Fig. 8

OPERATING INSTRUCTIONS

HOLDING THE TRIMMER



WARNING: Always wear eye, hearing, foot and body protection to reduce the risk of injury when operating this unit.

Before operating the unit, stand in the operating position (Fig. 9). Check for the following:

- ¥ The operator is wearing eye protection and proper clothing
- ¥ With a slightly-bent right arm, the operator's right hand is holding the shaft grip
- ¥ The operator's left arm is straight, the left hand holding the D-handle
- ¥ The unit is at waist level
- ¥ The cutting attachment is parallel to the ground and easily contacts the grass without the need to bend over

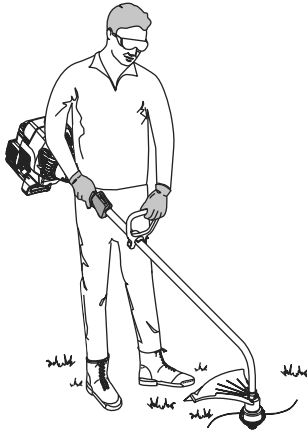


Fig. 9

ADJUSTING TRIMMING LINE LENGTH

The Bump Head^a cutting attachment allows you to release trimming line without stopping the engine. To release more line, lightly tap the cutting attachment on the ground (Fig. 10) while operating the trimmer at high speed.

NOTE: Always keep the trimming line fully extended. Line release becomes more difficult as cutting line becomes shorter.

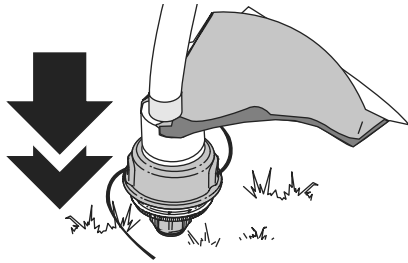


Fig. 10

Each time the head is bumped, about 1 inch (25.4 mm) of trimming line releases. A blade in the cutting attachment shield will cut the line to the proper length if any excess line is released.

For best results, tap the bump knob on bare ground or hard soil. If you attempt a line release in tall grass, the engine may stall. Always keep the trimming line fully extended. Line release becomes more difficult when the cutting line gets shorter.

NOTE: Do not rest the Bump Head^a on the ground while the unit is running.



CAUTION: Do not remove or alter the line cutting blade assembly. Excessive line length will make the unit overheat. This may lead to serious personal injury or damage to the unit.

Some line breakage will occur from:

- ¥ Entanglement with foreign matter
- ¥ Normal line fatigue
- ¥ Attempting to cut thick, stalky weeds
- ¥ Forcing the line into objects such as walls or fence posts

TIPS FOR BEST TRIMMING RESULTS

- ¥ Keep the cutting attachment parallel to the ground.
- ¥ Do not force the cutting attachment. Allow the tip of the line to do the cutting, especially along walls. Cutting with more than the tip will reduce cutting efficiency and may overload the engine.
- ¥ Cut grass over 8 inches (200 mm) by working from top to bottom in small increments to avoid premature line wear or engine drag.
- ¥ Cut from right to left whenever possible. Cutting to the left improves the unit's cutting efficiency. Clippings are thrown away from the operator.
- ¥ Slowly move the trimmer into and out of the cutting area at the desired height. Move either in a forward-backward or side-to-side motion. Cutting shorter lengths produces the best results.
- ¥ Trim only when grass and weeds are dry.
- ¥ The life of your cutting line is dependent upon:
 - ¥ Adherence of the listed trimming techniques
 - ¥ What vegetation is cut
 - ¥ Where vegetation is cut

For example, the line will wear faster when trimming against a foundation wall as opposed to trimming around a tree.

DECORATIVE TRIMMING

Decorative trimming is accomplished by removing all vegetation around trees, posts, fences, etc.

Rotate the whole unit so that the cutting attachment is at a 30° angle to the ground (Fig. 11).

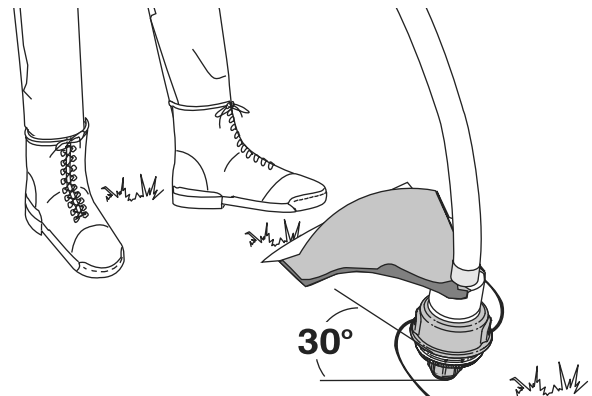


Fig. 11

MAINTENANCE AND REPAIR INSTRUCTIONS

MAINTENANCE SCHEDULE

Perform these required maintenance procedures at the frequency stated in the table. These procedures should also be a part of any seasonal tune-up.

NOTE: Some maintenance procedures may require special tools or skills. If you are unsure about these procedures take your unit to any non-road engine repair establishment, individual or authorized service dealer.



WARNING: To prevent serious injury, never perform maintenance or repairs with unit running. Always service and repair a cool unit. Disconnect the spark plug wire to ensure that the unit cannot start.

NOTE: Maintenance, replacement, or repair of the emission control devices and system may be performed by any non-road engine repair establishment, individual or authorized service dealer.


In order to assure peak performance of your engine, inspection of the engine exhaust port may be necessary after 50 hours of operation. If you notice lost RPM, poor performance or general lack of acceleration, this service may be required. If you feel your engine is in need of this inspection, refer service to any non-road engine repair establishment, individual or authorized service dealer for repair. **DO NOT** attempt to perform this process yourself as engine damage may result from contaminants involved in the cleaning process for the port.

FREQUENCY	MAINTENANCE REQUIRED	REFER TO
Before starting engine	Fill fuel tank with fresh fuel	Page 8
Every 10 hours	Clean and re-oil air filter	Page 13
Every 25 hours	Check and clean spark arrestor Check spark plug condition and gap	Page 14 Page 15
Every 50 hours	Inspect exhaust port and spark arrestor screen for clogging or obstruction to assure maximum performance levels	Page 14

LINE INSTALLATION

This section covers both SplitLine^a and standard single line installation.

Always use original equipment manufacturer 0.080 in. (2.03 mm) replacement line. Line other than the specified may make the engine overheat or fail.



WARNING: Never use metal-reinforced line, wire, chain or rope. These can break off and become dangerous projectiles.

There are two methods to replace the trimming line:

- ¥ Wind the inner reel with new line
- ¥ Install a prewound inner reel

Winding the Existing Inner Reel

1. Hold the outer spool with one hand and unscrew the Bump Knob^a counterclockwise (Fig. 12). Inspect the bolt inside the Bump Knob to make sure it moves freely. Replace the Bump Knob if damaged.

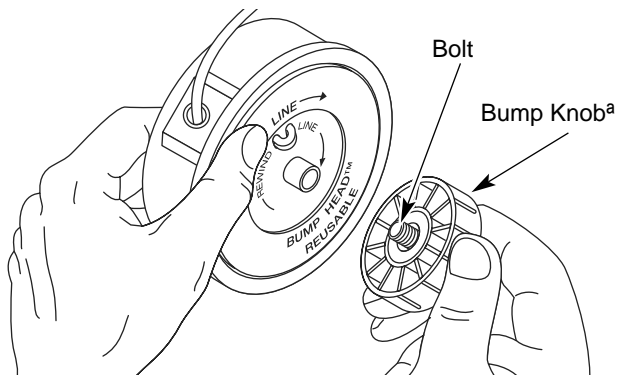


Fig. 12

2. Remove the inner reel from the outer spool (Fig. 13).
3. Remove spring from the inner reel (Fig. 13).
4. Use a clean cloth to clean the the inner reel, spring, shaft, and inner surface of the outer spool.
5. Check the indexing teeth on the inner reel and outer spool for wear (Fig. 14). If necessary, remove burrs or replace the reel and spool.

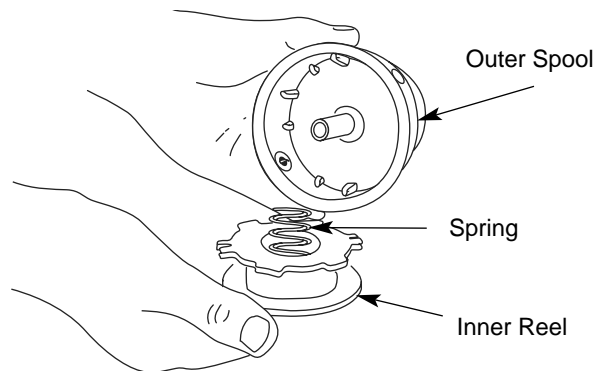


Fig. 13

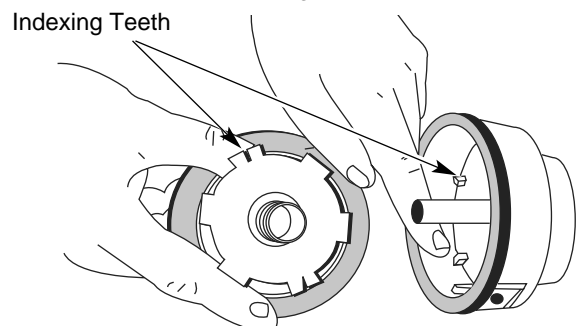


Fig. 14

MAINTENANCE AND REPAIR INSTRUCTIONS

For Use with Single Line ONLY

For Use with SplitLine^a or Single Line

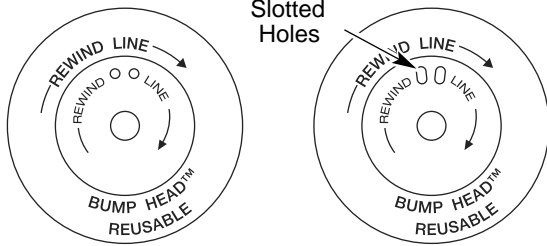


Fig. 15

NOTE: SplitLine^a can only be used with the inner reel with the slotted holes. Single line can be used on either type of inner reel. Use Figure 15 to identify the inner reel you have.

NOTE: Always use the correct line length when installing trimming line on the unit. The line may not release properly if the line is too long.

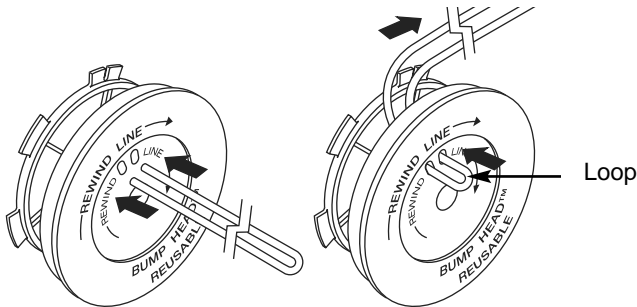


Fig. 16

Single Line Installation

Go To Step 8 for SplitLine[™] Installation

- Take approximately 20 feet (6 m) of new trimming line, loop it into two equal lengths. Insert each end of the line through one of the two holes in the inner reel (Fig. 16). Pull the line through the inner reel so that the loop is as small as possible.
- Wind the lines in tight even layers, onto the reel (Fig. 17). Wind the line in the direction indicated on the inner reel. Place your index finger between the two lines to stop the lines from overlapping. Do not overlap the ends of the line. Proceed to step 11.

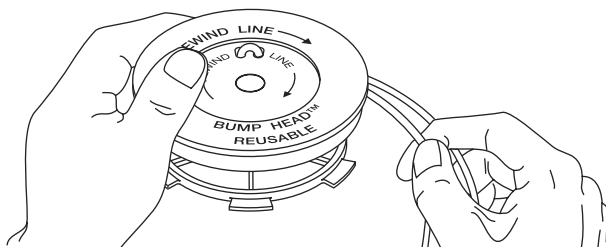


Fig. 17

SplitLine^a Installation

- Take approximately 10 feet (3 m) of new trimming line. Insert one end of the line through one of the two holes in the inner reel (Fig. 18). Pull the line through the inner reel until only about 4 inches is left out.

- Insert the end of the line into the open hole in the inner reel and pull the line tight to make the loop as small as possible (Fig. 18).
- Before winding, split the line back about 6 inches.
- Wind the line in tight even layers in the direction indicated on the inner reel.

NOTE: Failure to wind the line in the direction indicated will cause the cutting attachment to operate incorrectly.

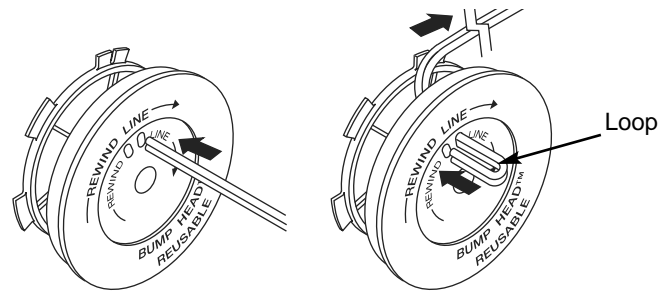


Fig. 18

- Insert the ends of the line into the two holding slots (Fig. 19).
- Insert the ends of the line through the eyelets in the outer spool and place inner reel with spring inside the outer spool (Fig. 20). Push the inner reel and outer spool together. While holding the inner reel and outer spool, grasp the ends and pull firmly to release the line from the holding slots in the reel.

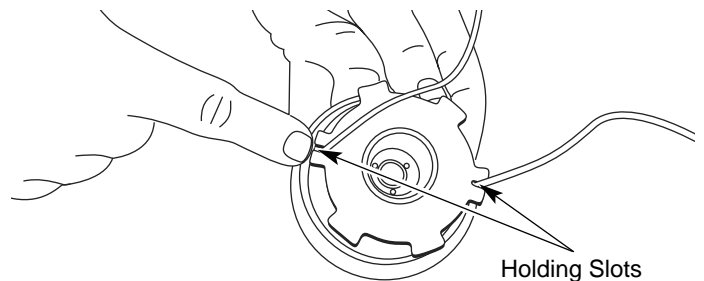


Fig. 19

NOTE: The spring must be assembled on the inner reel before reassembling the cutting attachment.

- Hold the inner reel in place and install the bump knob by turning clockwise. Tighten securely.

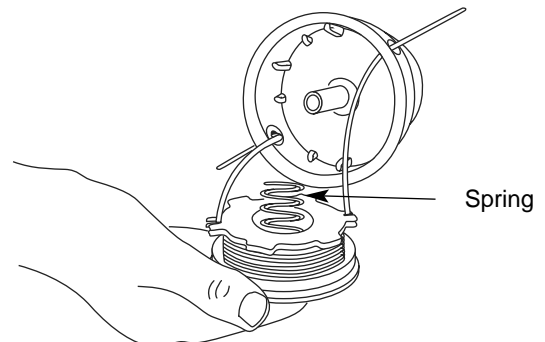


Fig. 20

MAINTENANCE AND REPAIR INSTRUCTIONS

INSTALLING A PREWOUND REEL

1. Hold the outer spool with one hand and unscrew the bump knob counterclockwise (Fig. 12). Inspect the bolt inside the bump knob to make sure it moves freely. Replace the bump knob if damaged.
 2. Remove the old inner reel from the outer spool (Fig. 13).
 3. Remove the spring from the old inner reel (Fig. 13).
 4. Place the spring in the new inner reel.
- NOTE: The spring must be assembled on the inner reel before reassembling the cutting attachment.
5. Insert the ends of the line through the eyelets in the outer spool (Fig. 20).
 6. Place the new inner reel inside the outer spool. Push the inner reel and outer spool together. While holding the inner reel and outer spool, grasp the ends and pull firmly to release the line from the holding slots in the spool.
 7. Hold the inner reel in place and install the bump knob by turning clockwise. Tighten securely.

AIR FILTER MAINTENANCE

Removing the Air Filter/Muffler Cover



WARNING: To avoid serious personal injury, always turn your unit off and allow it to cool before you clean or service it.

1. Place the blue choke lever in Position 2.

NOTE: The blue choke lever must be in Position 2 to remove the air filter/ muffler cover.

2. Remove the four (4) screws securing the air filter/muffler cover (Fig. 21). Use a T-20 Torx bit screwdriver.
3. Pull the cover from the engine. Do not force.

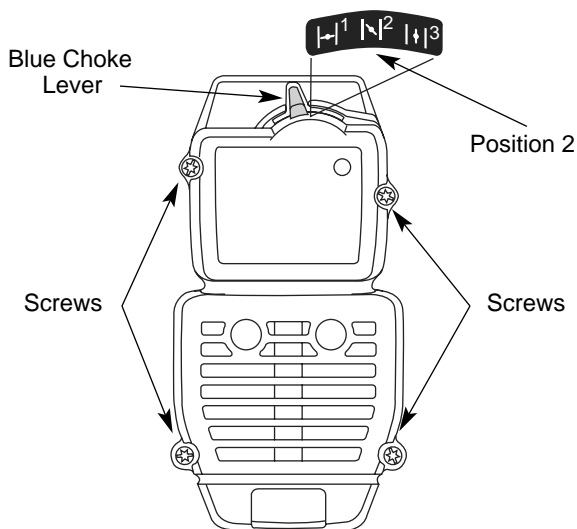


Fig. 21

Cleaning the Air Filter

Clean and re-oil the air filter every 10 hours of operation. It is an important item to maintain. Failure to maintain your air filter properly can result in poor performance or can cause permanent damage to your engine.

1. Remove air filter/muffler cover. Refer to *Removing the Air Filter/Muffler Cover*.
2. Turn cover over and look inside to locate the air filter. Remove the air filter from inside the air filter/muffler cover (Fig. 22).
3. Wash the filter in detergent and water (Fig. 23). Rinse the filter thoroughly. Squeeze out excess water. Allow it to dry completely.
4. Apply enough clean SAE 30 oil to lightly coat the filter (Fig. 24).
5. Squeeze the filter to spread and remove excess oil (Fig. 25).

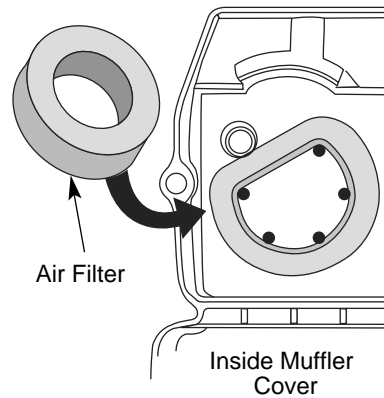


Fig. 22

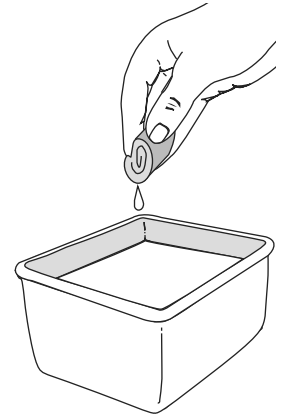


Fig. 23

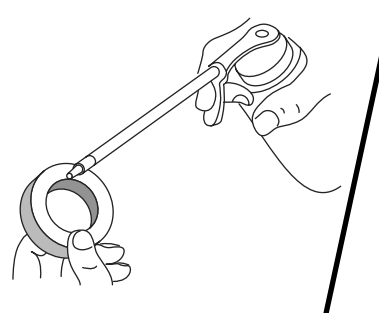


Fig. 24

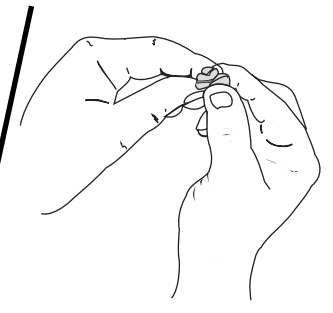


Fig. 25

6. Replace the air filter inside the air filter/muffler cover (Fig. 22).

NOTE: Operating the unit without the air filter and air filter/muffler cover assembly will VOID the warranty.

Reinstalling the Air Filter/Muffler Cover

1. Place the air filter/muffler cover over the back of the carburetor and muffler. Align the screw holes.
2. Insert the four (4) screws into the holes in the air filter/muffler cover (Fig. 21) and tighten. Do not over tighten.

MAINTENANCE AND REPAIR INSTRUCTIONS

SPARK ARRESTOR MAINTENANCE

1. Remove air filter/muffler cover. Refer to *Removing the Air Filter/Muffler Cover*.
2. Locate the muffler, but do not remove it. Find the screw on the bottom of the muffler (Fig. 26). Remove the screw using either a torx #20 or flat blade screwdriver.
3. Carefully pry up the left side spark arrestor hood. Two tabs act as hinges on the right side of the hood. Flip open the spark arrestor hood like a door and then pull its tabs out of the muffler slots.
4. Using a small flat blade screwdriver, carefully pry the spark arrestor screen out from the inside of the spark arrestor hood.
5. Clean the spark arrestor screen with a wire brush. Replace it if it is damaged, or if you are unable to clean it thoroughly.
6. Reinstall the spark arrestor screen snugly back into the spark arrestor hood.
7. Reinstall the two hood tabs into the two muffler slots and flip the spark arrestor hood closed.
8. Replace the screw you removed in Step 2 and tighten it securely.
9. Reinstall the air filter/muffler cover.

CARBURETOR ADJUSTMENT

The idle speed of the engine is adjustable through the air filter/muffler cover (Fig. 27).

NOTE: Careless adjustments can seriously damage your unit. An authorized service dealer should make carburetor adjustments.

Check Fuel Mixture

Old and/or improperly mixed fuel is usually the reason for improper unit performance. Drain and refill the tank with fresh, properly-mixed fuel prior to making any adjustments. Refer to *Oil and Fuel Information*.

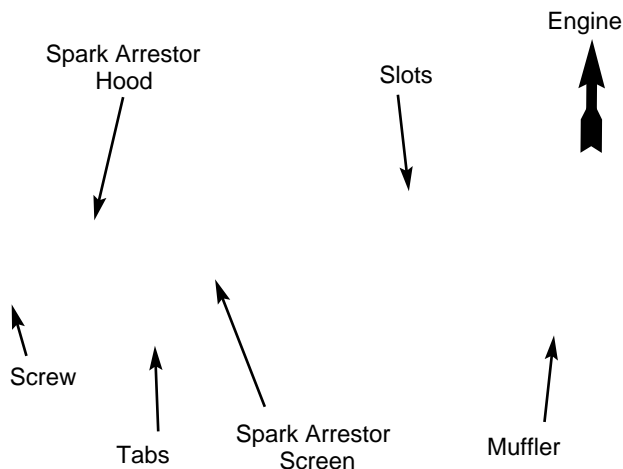


Fig. 26

MAINTENANCE AND REPAIR INSTRUCTIONS

Clean Air Filter

The condition of the air filter is important to the operation of the unit. A dirty air filter will restrict air flow and change the air/fuel mixture. This is often mistaken for an out of adjustment carburetor. Check the condition of the air filter before adjusting the idle speed screw. Refer to *Air Filter Maintenance*.

Adjust Idle Speed Screw

If, after checking the fuel mixture and cleaning the air filter, the engine still will not idle, adjust the idle speed screw as follows:

1. Start the engine and let it run at a high idle for a minute to warm up. Refer to *Starting/Stopping Instructions*.



WARNING: The cutting attachment will spin during idle speed adjustments. Wear protective clothing and observe all safety instructions to prevent serious personal injury.

2. Release the throttle trigger and let the engine idle. If the engine stops, insert a small phillips screwdriver into the hole in the air filter/muffler cover (Fig. 27). Turn the idle speed screw in, clockwise, 1/8 of a turn at a time (as needed) until the engine idles smoothly.
3. If the engine appears to be idling too fast, turn the idle speed screw counterclockwise 1/8 of a turn at a time (as needed), to reduce idle speed.

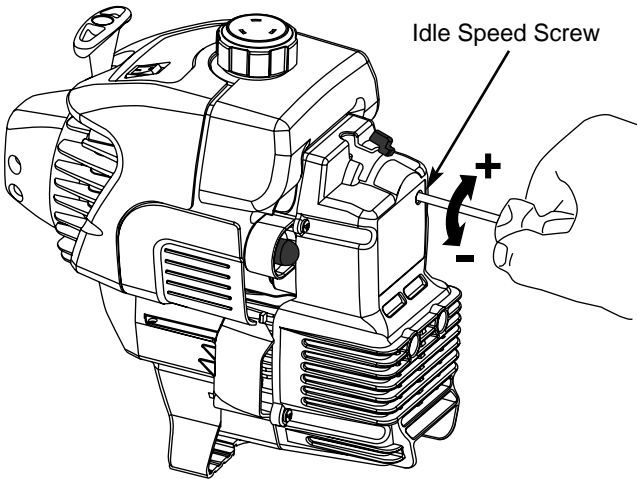


Fig. 27

Checking the fuel mixture, cleaning the air filter, and adjusting the idle speed should solve most engine problems. If not and all of the following are true:

- ¥ the engine will not idle
- ¥ the engine hesitates or stalls on acceleration
- ¥ there is a loss of engine power

Have the carburetor adjusted by an authorized service dealer.



WARNING: To prevent serious personal injury, make sure the cutting attachment has stopped rotating after you turn it off and before you set it down.

REPLACING THE SPARK PLUG

Use a Champion RDJ7Y spark plug, or equivalent. The correct air gap is 0.020 inch (0.5 mm). Remove the plug after every 25 hours of operation and check its condition.

1. Stop the engine and allow it to cool. Grasp the plug wire firmly and pull it from the spark plug.
2. Clean around the spark plug. Remove the spark plug from the cylinder head by turning a 5/8-inch socket counterclockwise.
3. Replace a cracked, fouled or dirty spark plug. Set the air gap at 0.020 in. (0.5 mm) using a feeler gauge (Fig. 28).



WARNING: Do not sand blast, scrape or clean electrodes. Grit in the engine could damage the cylinder.

4. Install a correctly-gapped spark plug in the cylinder head. Tighten by turning the 5/8-inch socket clockwise until snug.

If using a torque wrench torque to:
110-120 in.¥lb. (12.3-13.5 N¥m)

Do not over tighten.

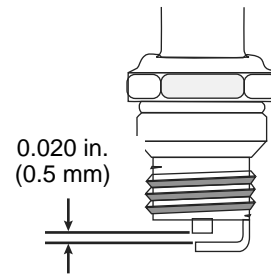


Fig. 28

MAINTENANCE AND REPAIR INSTRUCTIONS

CLEANING



WARNING: To avoid serious personal injury, always turn your trimmer off and allow it to cool before you clean or service it.

Use a small brush to clean off the outside of the unit. Do not use strong detergents. Household cleaners that contain aromatic oils such as pine and lemon, and solvents such as kerosene, can damage plastic housing or handle. Wipe off any moisture with a soft cloth.

STORAGE

- ¥ Never store a fueled unit where fumes may reach an open flame or spark.
- ¥ Allow the engine to cool before storing.
- ¥ Store the unit locked up to prevent unauthorized use or damage.
- ¥ Store the unit in a dry, well-ventilated area.
- ¥ Store the unit out of the reach of children.

LONG TERM STORAGE

If you plan on storing the unit for an extended time, use the following storage procedure:

1. Drain all fuel from the fuel tank into a container with the same 2-cycle fuel mixture. Do not use fuel that has been stored for more than 60 days. Dispose of the old fuel/oil mix in accordance to Federal, State and Local regulations.

2. Start the engine and allow it to run until it stalls. This ensures that all fuel has been drained from the carburetor.
3. Allow the engine to cool. Remove the spark plug and put 1 oz. (30 ml) of any high quality motor oil or 2-cycle oil into the cylinder. Pull the starter rope slowly to distribute the oil. Reinstall the spark plug.

NOTE: Remove the spark plug and drain all of the oil from the cylinder before attempting to start the trimmer after storage.

4. Thoroughly clean the unit and inspect it for any loose or damaged parts. Repair or replace damaged parts and tighten loose screws, nuts or bolts. The unit is ready for storage.

TRANSPORTING

- ¥ Allow the engine to cool before transporting.
- ¥ Drain fuel from unit.
- ¥ Tighten fuel cap before transporting.
- ¥ Secure the unit while transporting.

TROUBLESHOOTING

ENGINE WILL NOT START

CAUSE

Empty fuel tank
 Primer bulb wasn't pressed enough
 Engine is flooded
 Old or improperly mixed fuel
 Fouled spark plug
 Plugged spark arrestor
 On/Off Control set to Off (O)

ACTION

Fill fuel tank with properly mixed fuel
 Press primer bulb fully and slowly 10 times
 Squeeze the trigger and pull the starter rope
 Drain gas tank and add fresh fuel mixture
 Replace or clean the spark plug
 Clean or replace spark arrestor
 Set control to On (I)

ENGINE WILL NOT IDLE

CAUSE

Air filter is plugged
 Old or improperly mixed fuel
 Improper carburetor adjustment

ACTION

Replace or clean the air filter
 Drain gas tank and add fresh fuel mixture
 Adjust according to the *Carburetor Adjustments* section

ENGINE WILL NOT ACCELERATE

CAUSE

Old or improperly mixed fuel
 Improper carburetor adjustment
 Cutting attachment bound with grass
 Dirty air filter
 Plugged spark arrestor

ACTION

Drain gas tank and add fresh fuel mixture
 Take to an authorized service dealer for an adjustment
 Stop the engine and clean the cutting attachment
 Clean or replace the air filter
 Clean or replace spark arrestor

ENGINE LACKS POWER OR STALLS WHEN CUTTING

CAUSE

Old or improperly mixed fuel
 Improper carburetor adjustment
 Fouled spark plug
 Plugged spark arrestor

ACTION

Drain gas tank and add fresh fuel mixture
 Take to an authorized service dealer for an adjustment
 Replace or clean the spark plug
 Clean or replace spark arrestor

CUTTING ATTACHMENT WILL NOT ADVANCE LINE

CAUSE

Cutting attachment bound with grass
 Cutting attachment out of line
 Inner reel bound up
 Cutting head dirty
 Line welded
 Line twisted when refilled
 Not enough line is exposed

ACTION

Stop the engine and clean cutting attachment
 Refill with new line
 Replace the inner reel
 Clean inner reel and outer spool
 Disassemble, remove the welded section and rewind
 Disassemble and rewind the line
 Push the bump knob and pull out line until 4 inches (102 mm) of line is outside of the cutting attachment

CUTTING LINE ADVANCES UNCONTROLLABLY

CAUSE

Oil, cleaner or lubricant in cutting head

ACTION

Clean and thoroughly dry the cutting head

If further assistance is required, contact your authorized service dealer.

SPECIFICATIONS

ENGINE*

Engine Type.....	Air-Cooled, 2-Cycle
Stroke.....	1.25 in. (31.75 mm.)
Displacement.....	1.9 cu in. (31 cc.)
Operating RPM.....	6,800+ rpm
Idle Speed RPM.....	3,200 - 4,400 rpm
Ignition Type.....	Electronic
Ignition Switch.....	Rocker Switch
Spark Plug Gap.....	0.020 in. (0.5 mm.)
Lubrication.....	Fuel/Oil Mixture
Fuel/Oil Ratio.....	40:1
Carburetor.....	Diaphragm, All-Position
Starter.....	Auto Rewind
Muffler.....	Baffled with Guard
Throttle.....	Manual Spring Return
Fuel Tank Capacity.....	15 fl.oz. (444 ml.)

DRIVE SHAFT and CUTTING ATTACHMENT*

Drive Shaft Housing.....	Steel Tube
Throttle Control.....	Finger-Tip Trigger
Unit Weight (No fuel, with cutting attachment, shield and D-handle).....	11 lbs. (5 kg.)
Cutting Mechanism.....	Bump Head ^a
Shoulder Strap.....	Optional
Line Spool Diameter.....	3 in. (76.2 mm.)
Trimming Line Diameter.....	0.080 in. (2.03 mm.)
Cutting Path Diameter.....	17 in. (43.18 cm.)

*All specifications are based on the latest product information available at the time of printing. We reserve the right to make changes at any time without notice.

California / EPA Emission Control Warranty Statement

Your Warranty Rights and Obligations

The California Air Resources Board, the Environmental Protection Agency and MTD LLC (MTD) are pleased to explain the emission control system warranty on your 2005 and later small off-road engine. New small off-road engines must be designed, built and equipped to meet stringent anti-smog standards. MTD must warrant the emission control system on your small off-road engine for the periods of time listed below provided there has been no abuse, neglect or improper maintenance of your small off-road engine.

Your emission control system may include parts such as the carburetor or fuel-injected system, the ignition system, and catalytic converter. Also included may be hoses, belts, connectors and other emission-related assemblies.

Where a warrantable condition exists, MTD will repair your small off-road engine at no cost to you including diagnosis, parts and labor.

The 2005 and later small off-road engines are warranted for two years. If any emission-related part on your engine is defective, the part will be repaired or replaced by MTD.

Owners Warranty Responsibilities

¥ As the small off-road engine owner, you are responsible for the performance of the required maintenance listed in your operator's manual. MTD recommends that you retain all receipts covering maintenance on your small off-road engine, but MTD cannot deny warranty solely for the lack of receipts or for your failure to ensure the performance of all scheduled maintenance.

¥ As the small off-road engine owner, you however should be aware that MTD may deny you warranty coverage if your small off-road engine or a part has failed due to abuse, neglect, improper maintenance or unapproved modifications.

¥ You are responsible for presenting your small off-road engine to a MTD Authorized Service Center as soon as a problem exists. The warranty repairs should be completed in a reasonable amount of time, not to exceed 30 days.

If you have any questions regarding your warranty rights and responsibilities, you should call 1-800-345-8746.

Manufacturer's Warranty Coverage

¥ The warranty period begins on the date the engine or equipment is delivered to the retail purchaser.

¥ The manufacturer warrants to the initial owner and each subsequent purchaser, that the engine is free from defects in material and workmanship which cause the failure of a warranted part for a period of two years.

¥ Repair or replacement of warranted part will be performed at no charge to the owner at an Authorized MTD Service Center. For the nearest location please contact MTD at: 1-800-345-8746.

¥ Any warranted part which is not scheduled for replacement, as required maintenance or which is scheduled for only for regular inspection to the effect of "Repair or Replace as Necessary" is warranted for the warranty period. Any warranted part which is scheduled for replacement as required maintenance will be warranted for the period of time up to the first scheduled replacement point for that part.

¥ The owner will not be charged for diagnostic labor which leads to the determination that a warranted part is defective, if the diagnostic work is performed at an Authorized MTD Service Center.

¥ The manufacturer is liable for damages to other engine components caused by the failure of a warranted part still under warranty.

¥ Failures caused by abuse, neglect or improper maintenance are not covered under warranty.

¥ The use of add-on or modified parts can be grounds for disallowing a warranty claim. The manufacturer is not liable to cover failures of warranted parts caused by the use of add-on or modified parts.

¥ In order to file a claim, go to your nearest Authorized MTD Service Center. Warranty services or repairs will be provided at all Authorized MTD Service Centers.

¥ Any manufacturer approved replacement part may be used in the performance of any warranty maintenance or repair of emission related parts and will be provided without charge to the owner. Any replacement part that is equivalent in performance or durability may be used in non-warranty maintenance or repair and will not reduce the warranty obligations of the manufacturer

¥ The following components are included in the emission related warranty of the engine, air filter, carburetor, primer, fuel lines, fuel pick up/ fuel filter, ignition module, spark plug and muffler.

MANUFACTURER'S LIMITED WARRANTY FOR:



The limited warranty set forth below is given by MTD LLC (MTD) with respect to new merchandise purchased and used in the United States, its possessions and territories.

MTD warrants this product against defects in material and workmanship for a period of one (1) years commencing on the date of original purchase and will, at its option, repair or replace, free of charge, any part found to be defective in material or workmanship. This limited warranty shall only apply if this product has been operated and maintained in accordance with the Operator's Manual furnished with the product, and has not been subject to misuse, abuse, commercial use, neglect, accident, improper maintenance, alteration, vandalism, theft, fire, water or damage because of other peril or natural disaster. Damage resulting from the installation or use of any accessory or attachment not approved by MTD for use with the product(s) covered by this manual will void your warranty as to any resulting damage. This warranty is limited to ninety (90) days from the date of original retail purchase for any MTD product that is used for rental or commercial purposes, or any other income-producing purpose.

HOW TO OBTAIN SERVICE: Warranty service is available, WITH PROOF OF PURCHASE THROUGH YOUR LOCAL AUTHORIZED SERVICE DEALER. To locate the dealer in your area, please check for a listing in the Yellow Pages or contact the Customer Service Department of MTD by calling 1-800-345-8746 or writing to P.O. Box 361131, Cleveland OH 44136-0019 or if in Canada call 1-800-668-1238. No product returned directly to the factory will be accepted unless prior written permission has been extended by the Customer Service Department of MTD.

This limited warranty does not provide coverage in the following cases:

- A. Tune-ups - Spark Plugs, Carburetor Adjustments, Filters.
- B. Wear items - Bump Knobs, Outer Spools, Cutting Line, Inner Reels, Starter Pulley, Starter Ropes, Drive Belts.
- C. MTD does not extend any warranty for products sold or exported outside of the United States of America, its possessions and territories, except those sold through MTD's authorized channels of export distribution.

MTD reserves the right to change or improve the design of any MTD Product without assuming any obligation to modify any product previously manufactured.

No implied warranty, including any implied warranty of merchantability or fitness for a particular purpose, applies after the applicable period of express written warranty above as to the parts as identified. No other express warranty or guaranty, whether written or oral, except as mentioned above, given by any person or entity, including a dealer or retailer, with respect to any product shall bind MTD. During the period of the Warranty, the exclusive remedy is repair or replacement of the product as set forth above. (Some states do not allow limitations on how long an implied warranty lasts, so the above limitation may not apply to you.)

The provisions as set forth in this Warranty provide the sole and exclusive remedy arising from the sales. MTD shall not be liable for incidental or consequential loss or damages including, without limitation, expenses incurred for substitute or replacement lawn care services, for transportation or for related expenses, or for rental expenses to temporarily replace a warranted product. (Some states do not allow limitations on how long an implied warranty lasts, so the above limitation may not apply to you.)

In no event shall recovery of any kind be greater than the amount of the purchase price of the product sold. Alteration of the safety features of the product shall void this Warranty. You assume the risk and liability for loss, damage, or injury to you and your property and/or to others and their property arising out of the use or misuse or inability to use the product.

This limited warranty shall not extend to anyone other than the original purchaser, original lessee or the person for whom it was purchased as a gift.

How State Law Relates to this Warranty: This warranty gives you specific legal rights, and you may also have other rights which vary from state to state.

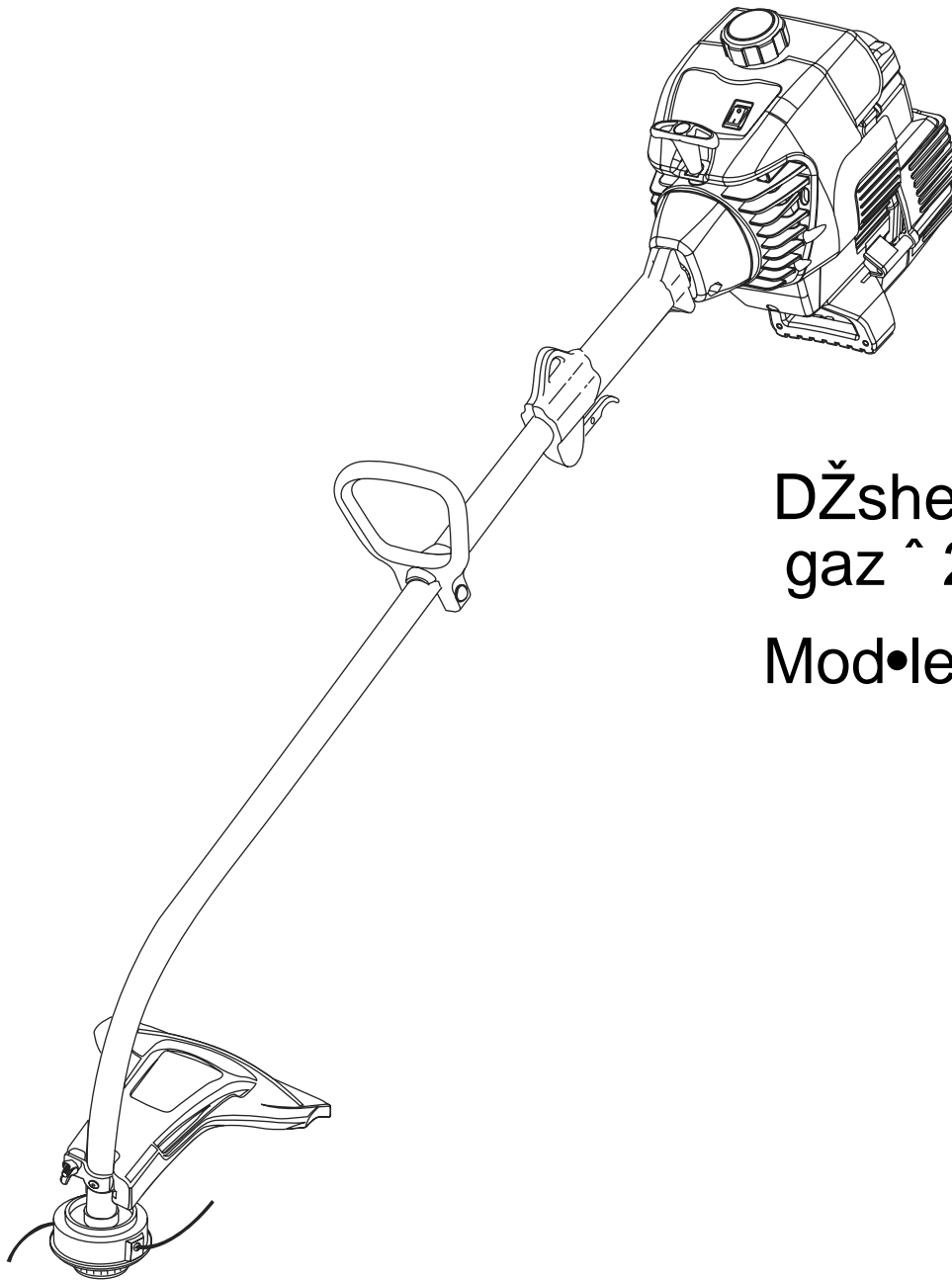
To locate your nearest service dealer dial 1-800-345-8746 in the United States or 1-800-668-1238 in Canada.

MTD LLC
P.O. Box 361131
Cleveland, OH 44136-0019

YARD MACHINES

by **MTD**®

Manuel de L'utilisateur



DŽsherbeuse ^
gaz ^ 2-temps
Mod•le Y700VP

IMPORTANT: LISEZ LES RÉGLES ET CONSIGNES DE SfcURITf SOIGNEUSEMENT

INTRODUCTION

TOUS NOS REMERCIEMENTS

Nous vous remercions d'avoir acheté ce produit de qualité. Cet outil mécanique de plein air moderne est conçu pour vous rendre service pendant longtemps. Il vous sauvera beaucoup de temps comme vous pourrez vous en rendre compte. Ce manuel de l'utilisateur comporte un mode d'emploi facile à comprendre. Prenez soin de lire le manuel au complet et suivez toutes ses instructions à la lettre afin de conserver votre nouvel outil mécanique de plein air en excellent état de fonctionnement.

REFERENCES, ILLUSTRATIONS ET SPECIFICATIONS RELATIVES AU PRODUIT

Toutes les informations, illustrations et spécifications contenues dans ce manuel tiennent compte des dernières informations techniques disponibles au moment de mettre sous presse. Nous nous réservons le droit d'y apporter des modifications à tout moment, sans préavis.

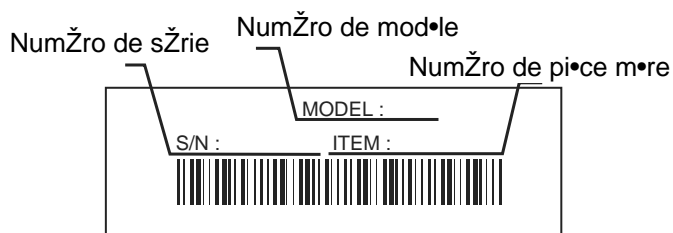
Copyright © 2005 MTD SOUTHWEST INC., Tous droits réservés.

INFORMATIONS D'ENTRETIEN

Tout entretien effectué sur cet appareil pendant et après la période de garantie doit être fait par un concessionnaire agréé uniquement. Obtenez la liste des concessionnaires agréés appelez le 1-800-345-8746 aux États-Unis, ou le 1-800-668-1238 au Canada. Pour de plus amples informations à propos de votre appareil, visitez www.yardmachines.com.

NE RETOURNEZ PAS L'APPAREIL AU DÉTAILLANT CHEZ QUI VOUS L'AVEZ ACHETÉ. TOUT SERVICE SOUS GARANTIE REQUIERT UNE PREUVE D'ACHAT.

Avant d'assembler votre nouvel équipement, repérez la plaque signalétique de l'appareil et copiez ses informations dans l'espace ci-dessous. Ces informations sont essentielles si vous désirez obtenir de l'aide auprès de notre service technique ou d'un distributeur agréé. Un exemple de plaque signalétique est présenté ci-dessous.



Copiez le numéro de modèle / pièce ici : _____

Copiez le numéro de série ici : _____

Prenez soin de lire et de bien comprendre ce manuel avant de démarrer ou de faire fonctionner cet équipement.
CE PRODUIT EST COUVERT PAR UN OU PLUSIEURS BREVETS AMÉRICAINS, ET D'AUTRES SONT EN INSTANCE.

TABLE DES MATIÈRES

Service technique	F2
Consignes de sécurité	F3
Familiarisez-vous avec votre appareil	F6
Instructions de montage	F7
Informations sur l'huile et le carburant	F8
Instructions de démarrage et d'arrêt	F9
Mode d'emploi	F10
Entretien et réparations	F11
Nettoyage et entreposage	F16
Tableau de dépannage	F17
Caractéristiques	F18
Garantie	F20
Liste des pièces	Intérieure de la Couverture Arrière

PARÉ-ÉTINCELLES

REMARQUE : À l'intention des utilisateurs opérant dans les terres forestières des États-Unis et dans les États de Californie, du Maine, de l'Oregon et de Washington. Toutes les terres forestières des États-Unis et de l'État de Californie (Codes sur les ressources publiques 4442 et 4443), de l'Oregon et de Washington exigent de par la loi que certains moteurs à combustion interne utilisés dans des zones couvertes de taillis ou d'herbe soient équipés d'un pare-étincelles en parfait état de fonctionnement, qu'ils soient conçus, équipés et entretenus pour la prévention des incendies. Renseignez-vous auprès des autorités de votre province ou de votre municipalité concernant la réglementation en vigueur. Vous pourriez être passible d'une amende ou être tenu responsable si vous ne respectez pas cette réglementation. Cet appareil est équipé d'un pare-étincelles en usine. Si l'écran pare-étincelles, réf. 753-04618, doit être remplacé, communiquez avec le service technique.

AVERTISSEMENT DE LA PROPOSITION 65 DE CALIFORNIE

AVERTISSEMENT

LES GAZ D'ÉCHAPPEMENT DU MOTEUR DE CET APPAREIL CONTIENNENT DES PRODUITS CHIMIQUES CONSIDÉRÉS PAR L'ÉTAT DE CALIFORNIE COMME POUVANT CAUSER LE CANCER, DES MALFORMATIONS CONGÉNITALES OU D'AUTRES EFFETS NOCIFS SUR L'APPAREIL DE REPRODUCTION.

CONSIGNES DE SfcURITf

Les symboles de sŹcuritŹ attirent votre attention sur des dangers potentiels. Ces symboles et leurs dŹtails explicatifs mŹritent que vous les lisiez et compreniez bien. Les avertissements de sŹcuritŹ ne peuvent Źviter les dangers de par eux-mŹmes. Les consignes ou mises en garde qu'ils donnent ne remplacent pas des mesures prŹventives appropriŹes contre les accidents.

SYMBOLE SIGNIFICATION



ALERTE DE SfcURITf:

indique un danger, un avertissement ou une mise en garde. Soyez vigilant afin d'Źviter toute blessure grave. Ce symbole peut ętre combinŹ ĩ d'autres symboles ou pictogrammes.

REMARQUE: donne des informations ou des instructions vitales pour le fonctionnement ou l'entretien de l'Źquipement.

Lisez le(s) manuel(s) de l'utilisateur et suivez tous les avertissements et consignes de sŹcuritŹ. Vous pourriez ĩ dŹfaut entraĹner des blessures graves pour vous ou d'autres personnes.

SI VOUS AVEZ DES QUESTIONS, APPELEZ LE 1-800-345-8746 AUX ŹTATS-UNIS, OU LE 1-800-668-1238 AU CANADA

SYMBOLE SIGNIFICATION



DANGER: le non-respect d'Źun avertissement peut causer dommages matŹriels ou blessures graves pour tous. Respectez les consignes de sŹcuritŹ afin de rŹduire les risques d'incendie, d'Źlectrocution et de blessures.



AVERTISSEMENT: le non-respect d'Źun avertissement peut causer dommages matŹriels ou blessures graves pour tous. Respectez les consignes de sŹcuritŹ afin de rŹduire les risques d'incendie, d'Źlectrocution et de blessures.



MISE EN GARDE: le non-respect d'Źun avertissement peut causer dommages matŹriels ou blessures graves pour tous. Respectez toujours les consignes de sŹcuritŹ afin de rŹduire les risques d'incendie, d'Źlectrocution et de blessures.

Ź IMPORTANTES CONSIGNES DE SfcURITf Ź

LIRE TOUTES LES INSTRUCTIONS

AVANT UTILISATION

- Ź Veuillez lire les instructions avec soin. Familiarisez-vous avec les commandes et l'utilisation correcte de cet appareil.
- Ź N'utilisez pas l'appareil si vous ętes fatiguŹ, malade ou sous l'effet de l'alcool, de drogues ou de mŹdicaments.
- Ź Les enfants et adolescents de moins de 15 ans ne doivent pas utiliser l'appareil exceptŹs les adolescents assistŹs d'un adulte.
- Ź Inspectez l'appareil avant utilisation. Remplacez les piŹces endommagŹes. Regardez s'il y a des fuites de carburant. Assurez-vous que les fixations sont solidement en place. Remplacez les piŹces de l'accessoire de coupe qui sont fendillŹes, ŹbrŹchŹes ou endommagŹes. Assurez-vous que l'accessoire de coupe est correctement installŹ et solidement fixŹ. Assurez-vous que le protecteur d'accessoire de coupe est correctement fixŹ et positionnŹ comme recommandŹ. Vous risquez sinon de causer des blessures ĩ l'opŹrateur et aux spectateurs, et d'endommager l'appareil.
- Ź N'utilisez que du fil de remplacement d'origine de 2,03 mm (0,080 po) de diamŹtre. N'utilisez jamais de fil, de chaĹne ou de cordon ĩ renfort mŹtallique car ils peuvent se briser et se transformer en projectile dangereux.
- Ź Soyez conscient des risques de blessure ĩ la tęte, aux mains et aux pieds.

- Ź DŹgarez la zone de coupe avant chaque usage. Enlevez tous les objets pouvant ętre projetŹs ou happŹs par l'accessoire de coupe : cailloux, verre brisŹ, clous, fil ou ficelle. Źloignez enfants, spectateurs et animaux de la zone de coupe. Tenez-les ĩ au moins 15 m (50 pi) de lĹ mais sachez que les spectateurs risquent quand mŹme d'ętre atteints par des objets projetŹs. Les spectateurs doivent porter des protections oculaires. Arrętez immŹdiatement le moteur et l'accessoire de coupe si quelqu'un s'approche de vous.
- Ź Appuyez sur la manette des gaz et assurez-vous qu'elle revient automatiquement en position de ralenti. ProcŹdez ĩ tous les rŹglages ou rŹparations avant d'utiliser l'appareil.
- Ź Cet appareil n'est pas conŹu pour servir de dŹbroussailleuse. N'utilisez cet appareil avec aucun type de lame ou d'accessoire de dŹbroussailage.

AVERTISSEMENTS DE SfcURITf CONCERNANT LES DfSHERBEUSES Ę GAZ



AVERTISSEMENT: l'essence est extręmement inflammable et ses vapeurs peuvent exploŹer si on y met le feu. Veuillez prendre les prŹcautions suivantes.

- Ź Ne stockez le carburant que dans des contenants spŹcialement conŹus et homologuŹs pour le stockage de ce type de matiŹres.

CONSIGNES DE SÉCURITÉ

- ✘ Arrêtez toujours le moteur et laissez-le refroidir avant de remplir le réservoir de carburant. N'enlevez jamais le bouchon du réservoir et n'ajoutez jamais de carburant pendant que le moteur est chaud. Ne faites jamais fonctionner l'appareil sans que le bouchon de carburant soit bien mis. Desserrez lentement le bouchon afin de réduire la pression du réservoir.
- ✘ Évitez de créer une source d'allumage pour le carburant déversé. Ne démarrez pas le moteur avant que les vapeurs de carburant ne se soient dissipées.
- ✘ Mélangez et ajoutez le carburant dans un endroit bien aéré et propre en plein air à l'abri des étincelles ou des flammes. N'enlevez lentement le bouchon du réservoir d'essence qu'après avoir arrêté le moteur. Ne fumez pas pendant le remplissage ou le mélange de carburant. Essuyez immédiatement tout déversement de carburant de l'appareil.
- ✘ Éloignez l'appareil d'au moins 9 m (30 pi) de la source de ravitaillement en carburant avant de démarrer le moteur. Ne fumez pas et éloignez toute source d'étincelles ou de flammes vives du lieu de ravitaillement ou de fonctionnement de l'appareil.

PENDANT L'UTILISATION DE L'APPAREIL

- ✘ Évitez de démarrer ou de faire marcher l'appareil à l'intérieur d'une pièce ou d'un bâtiment fermé. La respiration de fumées d'échappement peut tuer. Ne faites fonctionner cet appareil qu'à l'extérieur dans un endroit bien aéré.
- ✘ Portez des lunettes de sécurité conformes aux normes ANSI Z87.1 ainsi que des protections-oreilles durant l'utilisation de l'appareil. Portez un masque facial ou antipoussière si vous travaillez dans un lieu poussiéreux.
- ✘ Portez des pantalons larges et longs, des bottes, des gants et une chemise à manches longues. Ne marchez pas pieds nus et évitez les vêtements lâches, bijoux, pantalons courts et sandales. Relevez les cheveux au-dessus des épaules.
- ✘ Le protecteur d'accessoire de coupe doit toujours être en place lors de l'utilisation de l'appareil. Ne faites pas marcher l'appareil sans que les deux fils soient bien déployés, en supposant qu'un fil approprié a été installé. Assurez-vous que le fil ne dépasse pas le protecteur de sécurité.
- ✘ Cet appareil ne comporte pas d'embrayage. L'accessoire de coupe continue de tourner lorsque le moteur est au ralenti.
- ✘ Ajustez la poignée selon votre taille pour mieux l'agripper.
- ✘ N'utilisez l'appareil qu'en plein jour ou avec un bon éclairage artificiel.
- ✘ Évitez tout démarrage accidentel. Mettez-vous en position de démarrage chaque fois que vous tirez sur la corde de démarrage. L'opérateur et l'appareil doivent tous deux être en position stable à ce moment-là. Voir les *Instructions de démarrage et d'arrêt*.
- ✘ Ne vous tenez pas. Tenez-vous toujours bien sur vos pieds en position d'équilibre.
- ✘ Tenez toujours l'appareil des deux mains lorsque vous le faites marcher. Agrippez fermement les poignées avant et arrière.

- ✘ Gardez les mains, le visage et les pieds éloignés des pièces mobiles. Ne touchez pas et n'essayez pas d'arrêter l'accessoire de coupe en rotation.
- ✘ Ne touchez pas le moteur, le boîtier d'engrenages ni le silencieux. Ces pièces deviennent très chaudes à l'utilisation. Elles restent chaudes brièvement après l'arrêt.
- ✘ Servez-vous des outils appropriés. N'utilisez cet outil que pour son usage prévu.
- ✘ Ne faites pas fonctionner le moteur à un régime plus élevé que nécessaire pour couper, tailler ou faire les bordures. Ne faites pas tourner le moteur à haut régime si vous ne vous faites pas de coupe.
- ✘ Arrêtez toujours le moteur lorsque vous suspendez la coupe ou lorsque vous vous déplacez d'un lieu de travail vers un autre.
- ✘ Si vous heurtez un corps étranger ou que celui-ci est happé, arrêtez le moteur immédiatement et vérifiez que rien n'a été endommagé. Ne faites pas fonctionner avant réparation des dommages. Ne faites pas marcher l'appareil si les pièces sont desserrées ou endommagées.
- ✘ Arrêtez et éteignez le moteur dans les cas suivants: entretien, réparation ou changement d'accessoires ou autres.
- ✘ N'utilisez que des pièces de équipement original rechange et accessoires d'origine du fabricant pour cet appareil. Elles sont disponibles auprès de votre concessionnaire agréé. L'utilisation de pièces ou accessoires autres que ceux de équipement original peut causer des blessures graves, endommager l'appareil et annuler sa garantie.
- ✘ Gardez l'appareil exempt d'accumulation de végétation ou autres matières. Celles-ci peuvent rester logées entre l'accessoire de coupe et le protecteur.
- ✘ Afin de diminuer les risques d'incendie, remplacez tout silencieux ou pare-étincelles défectueux et conservez le moteur et le silencieux exempts d'herbe, de feuilles et d'accumulation excessive de graisse ou de carbone.

AUTRES AVERTISSEMENTS DE SÉCURITÉ

- ✘ N'entreposez jamais l'appareil rempli de carburant dans un bâtiment où les vapeurs peuvent atteindre une source de flammes vives ou d'étincelles.
- ✘ Laissez le moteur se refroidir avant de l'entreposer ou de le transporter. Attachez bien l'appareil pendant le transport.
- ✘ Rangez l'appareil dans un endroit verrouillé et sec, ou élevé et sec, hors de portée des enfants, pour éviter une utilisation indésirable ou un accident.
- ✘ Ne trempez et n'arrosez jamais l'appareil avec de l'eau ou tout autre liquide. Gardez les poignées sèches, propres et exemptes de débris. Nettoyez après chaque usage. Voir les sections *Nettoyage et Entreposage*.
- ✘ Conservez ces instructions. Consultez-les souvent et servez-vous en pour instruire d'autres usagers. Si vous prêtez l'appareil à quelqu'un, prêtez-lui également ces instructions.

**CONSERVER CES
INSTRUCTIONS**

CONSIGNES DE SfcURITf

SYMBOLES DE SfcURITf ET INTERNATIONAUX

Ce manuel de l'utilisateur dřcrit les symboles et pictogrammes de sřcuritř et internationaux pouvant appara"tre sur ce produit. Consultez le manuel de l'utilisateur pour les informations concernant la sřcuritř, le montage, le fonctionnement, l'entretien et les rřparations.

SYMBOLE	SIGNIFICATION	SYMBOLE	SIGNIFICATION
	<p>⌘ SYMBOLE ALERTE DE SfcURITf</p> <p>Indique un danger, un avertissement ou une mise en garde. Ce symbole peut ętre combinř d'autres symboles ou pictogrammes.</p>		<p>⌘ LES OBJETS PROJETS ET LA TæTE ROTATIVE PEUVENT CAUSER DES BLESSURES GRAVES</p> <p>AVERTISSEMENT: ne faites pas fonctionner sans protecteur de sřcuritř en plastique. Tenez-vous ęcart de l'accessoire de coupe rotatif.</p>
	<p>⌘ AVERTISSEMENT - LISEZ LE MANUEL DE L'UTILISATEUR</p> <p>Lisez le manuel de l'utilisateur et suivez tous les avertissements et consignes de sřcuritř. Vous pourriez ętra"ner des blessures graves pour vous ou d'autres personnes.</p>		<p>⌘ COMMANDE MARCHE/ARRæT ALLUMAGE / DřMARRAGE / MARCHÉ</p>
	<p>⌘ PORTEZ DES PROTECTIONS (YEUX ET OREILLES)</p> <p>AVERTISSEMENT: les objets projetřs et les bruits forts peuvent endommager la vue et l'ou"e. Portez une visi"re de norme ANSI Z87.1-1989 et des prot"ge-oreilles pendant l'utilisation.</p>		<p>⌘ COMMANDE MARCHÉ/ARRæT ARRæT ou STOP</p>
	<p>⌘ fLOIGNEZ LES SPECTATEURS</p> <p>AVERTISSEMENT: řloignez tout spectateur, les enfants et les animaux domestiques en particulier, d'au moins 15 m (50 pi) de la zone de coupe.</p>		<p>⌘ AVERTISSEMENT SURFACE CHAUDE</p> <p>Ne touchez pas un silencieux ou un cylindre chaud. Vous pourriez vous bręler. Ces pi"ces deviennent tr" chaudes ę l'utilisation. Elles restent chaudes bri"vement apr"s l'arr"t.</p>
	<p>⌘ CARBURANT SANS PLOMB</p> <p>Utilisez toujours du carburant sans plomb frais et propre.</p>		<p>⌘ ETRANGLEUR</p> <p>1 ⌘ Position d'ętranglement MAXIMUM 2 ⌘ Position d'ętranglement PARTIEL 3 ⌘ Position de MARCHÉ</p>
			<p>⌘ NIVEAU D'HUILE</p> <p>Voir le manuel de l'utilisateur pour le type d'huile appropriř.</p>

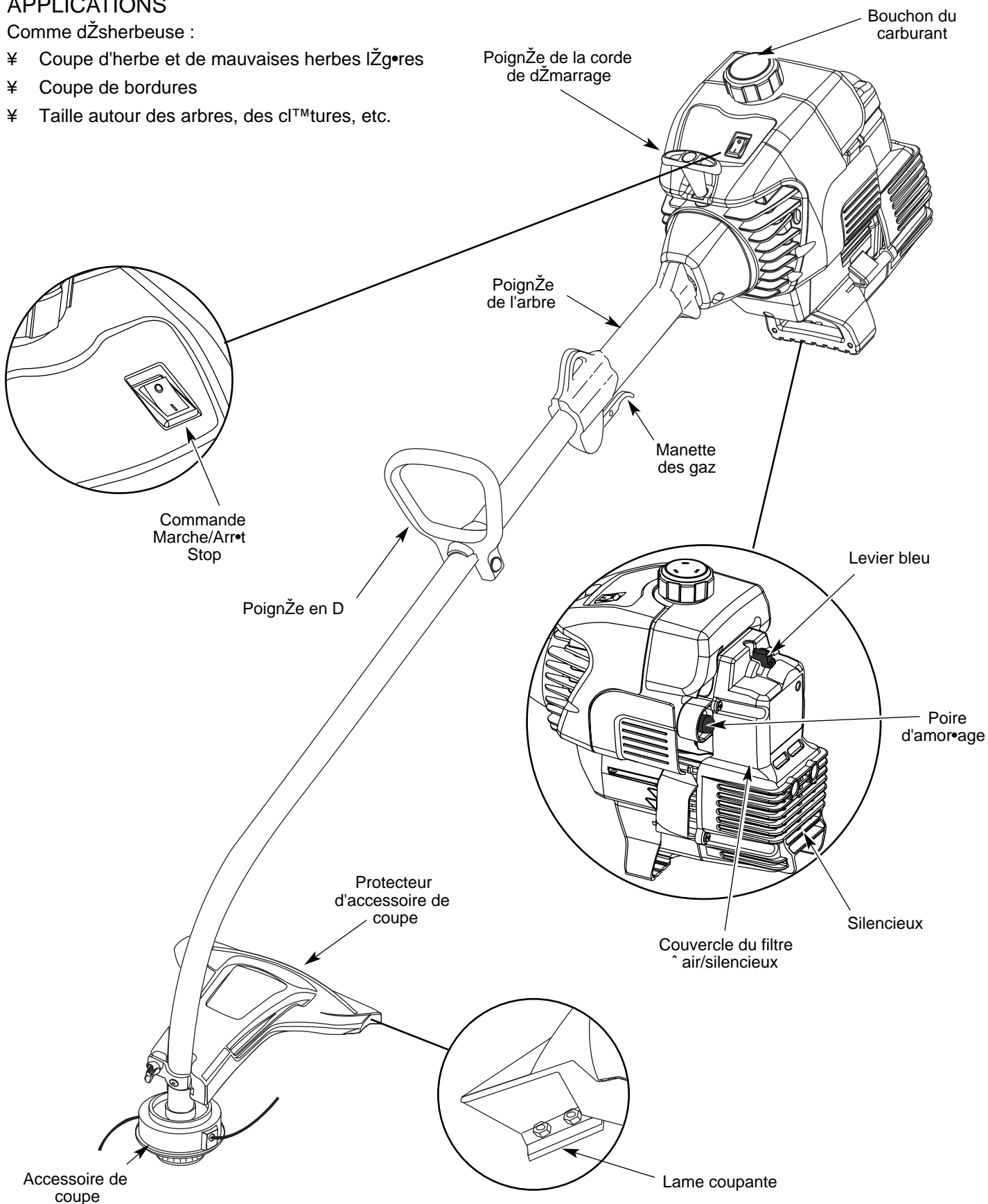
CONSIGNES DE SÉCURITÉ

FAMILIARISEZ-VOUS AVEC L'APPAREIL

APPLICATIONS

Comme d'habitude :

- ¥ Coupe d'herbe et de mauvaises herbes légères
- ¥ Coupe de bordures
- ¥ Taille autour des arbres, des clôtures, etc.



INFORMATIONS SUR L'HUILE ET LE CARBURANT

Mélange d'huile et de carburant

En général, si l'appareil ne fonctionne pas correctement, c'est que le carburant est vieux ou mal mélangé. Prenez soin d'utiliser de l'essence sans plomb fraîche et propre. Suivez à la lettre les instructions de mélange de carburant et d'huile.

Définition des carburants mélangés

Les carburants d'aujourd'hui sont souvent un mélange d'essence et d'oxygènes comme l'éthanol, le méthanol ou l'éther MTBE. Un carburant mélangé à l'alcool absorbe l'eau. Il suffit de 1 % d'eau pour séparer le carburant et l'huile. Cela forme de l'acide pendant le stockage. Si vous devez utiliser ce type de carburant, servez-vous de carburant frais (moins de 60 jours).

Usage de carburants mélangés

Si vous choisissez d'utiliser ou ne pouvez éviter d'utiliser un carburant mélangé, suivez les conseils suivants :

- ✦ Utilisez toujours un mélange de carburant frais selon le manuel de l'utilisateur.
- ✦ Agitez toujours le mélange de carburant avant d'alimenter l'appareil.
- ✦ Videz le réservoir et faites marcher le moteur jusqu'à assécher avant d'entreposer l'appareil.

Utilisation d'additifs de carburant



La bouteille d'huile 2-temps livrée avec l'appareil contient un additif permettant d'empêcher la corrosion et de minimiser la formation de résidus de gomme. Nous vous recommandons d'utiliser ce type d'huile uniquement.

Si cela n'est pas disponible, utilisez une bonne huile 2-temps conçue pour les moteurs à 2-temps refroidis par air en y ajoutant un additif, tel que le stabilisant de gaz STA-BIL ou un produit équivalent. Ajoutez 23 ml (0,8 oz) d'additif par 4 litres (1 gallon) de carburant selon les instructions du récipient. N'ajoutez JAMAIS d'additifs directement dans le réservoir de l'appareil.

	<p>MISE EN GARDE: Pour assurer un bon fonctionnement et une fiabilité maximale du moteur, suivez à la lettre les instructions de mélange d'huile et de carburant du récipient d'huile 2-temps. L'emploi de carburant mal mélangé peut endommager le moteur sérieusement.</p>
---	---


Mélangez soigneusement l'huile moteur 2-temps avec de l'essence sans plomb dans un bidon séparé. Utilisez un rapport 40:1 d'essence/huile. Ne les mélangez pas directement dans le réservoir de carburant. Voir le tableau ci-dessous pour les rapports de mélange d'essence et d'huile.


REMARQUE : 3,8 litres (1 gallon) d'essence sans plomb mélangés avec une bouteille de 95 ml (3,2 oz) d'huile 2-temps donnent un rapport d'essence/huile de 40:1.

	+	
ESSENCE SANS PLOMB		HUILE 2-TEMPS
3,8 LITRES (1 GALLON US)		95 ml (3,2 OZ)
1 LITRE		25 ml

RAPPORT DE MÉLANGE O - 40:1

	<p>AVERTISSEMENT: L'essence est extrêmement inflammable et les vapeurs qui s'en dégagent peuvent exploser si on y met le feu. Arrêtez toujours le moteur et laissez-le refroidir avant de remplir le réservoir. Ne fumez pas en remplissant le réservoir. Éloignez toute source d'étincelles ou de flammes vives de la zone.</p>
---	---

	<p>AVERTISSEMENT: Enlevez le bouchon du réservoir lentement pour ne pas être blessé par les jets d'essence. Ne faites pas marcher l'appareil sans que le bouchon soit bien mis.</p>
---	--

	<p>AVERTISSEMENT: Ajoutez du carburant dans un lieu propre et bien aéré en plein air. Essayez immédiatement tout déversement de carburant. Évitez de mettre le feu au carburant déversé. Ne démarrez pas le moteur avant dissipation des vapeurs de carburant.</p>
---	---

REMARQUE : éliminez le vieux mélange de carburant conformément aux règlements fédéral, provincial et municipal en vigueur.

INSTRUCTIONS DE DÉMARRAGE ET ARRÊT



AVERTISSEMENT:



AVERTISSEMENT:

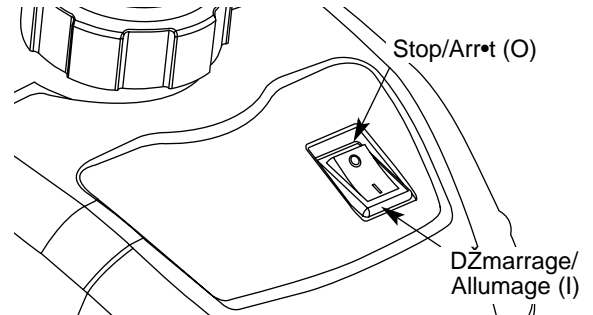


Fig. 6

INSTRUCTIONS DE DÉMARRAGE

1. Mélangez l'essence avec l'huile. Remplissez le réservoir avec le mélange d'essence et d'huile. Voir Instructions de mélange d'huile et de carburant.
 2. Mettez la commande Marche/Arrêt Stop en position MARCHE (I) (Fig. 6).
 3. Pressez et relâchez la poire d'amorçage ¹⁰ reprises, lentement. Une certaine quantité de carburant devrait être visible dans la poire d'amorçage et les conduites de carburant (Fig. 7). Si vous n'apercevez pas de carburant dans la poire, pressez et relâchez la poire autant de fois que nécessaire jusqu'à ce que vous aperceviez du carburant dans cette dernière.
 4. Mettez le levier bleu en Position 1 (Fig. 7).
 5. Levez-vous en position de démarrage (Fig. 8) et appuyez sur la manette des gaz. Tirez le cordon de démarrage d'un mouvement continu et ferme jusqu'à 5 fois.
 6. Mettez le levier bleu en Position 2 .
 7. Tandis que vous appuyez sur la manette des gaz, tirez le cordon de démarrage d'un mouvement continu et ferme pour démarrer le moteur.
 8. Maintenez la manette des gaz enfoncée et laissez le moteur chauffer pendant 15 à 30 secondes.
REMARQUE : Il se peut que le moteur mette plus longtemps à chauffer et à atteindre sa vitesse maximum d'opération lorsque la température est basse.
REMARQUE : La machine est bien chauffée lorsque le moteur accélére sans hésitation.
 9. Une fois que le moteur est chauffé, placez le levier bleu d'entraînement en Position 3 (Fig. 7). La machine est prête à être utilisée.
- Si...** Le moteur hésite, remettez le levier en Position 2 (Fig. 7) et continuez à chauffer.
- Si...** Le moteur ne démarre pas, retournez à l'étape 3.
- Si...** Le moteur ne démarre pas après quelques tentatives, placez le levier bleu en Position 3 et appuyez sur la manette des gaz. Tirez fermement sur le cordon de démarrage entre 3 et 8 fois. Le moteur devrait démarrer. S'il ne démarre pas, recommencez.
- SI CHAUDÉ** Le moteur est déjà chaud, assurez-vous que l'interrupteur Marche/Arrêt Stop est en position ON et démarrez la machine avec le levier bleu en Position 2 . Après que la machine ait démarré, mettez le levier bleu en Position 3 .

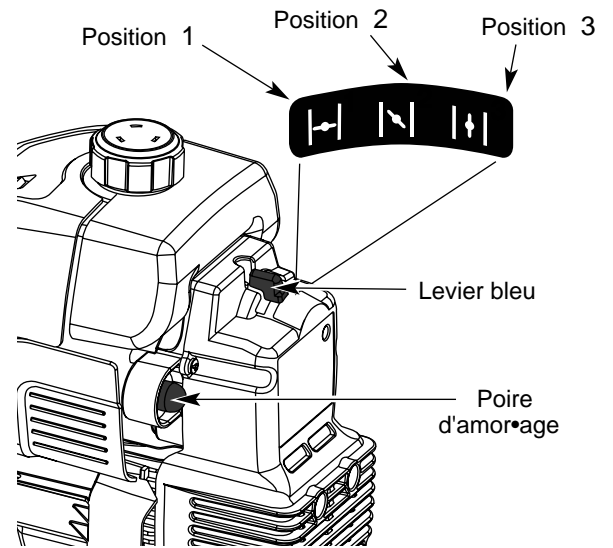


Fig. 7

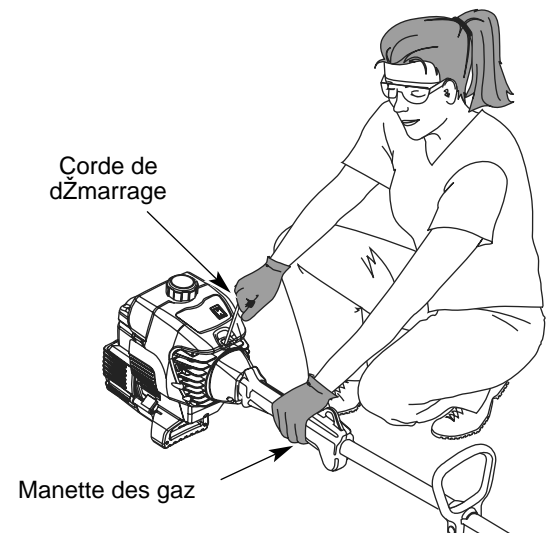


Fig. 8

INSTRUCTIONS D'ARRÊT

1. Relâchez la manette des gaz. Laissez le moteur se refroidir au ralenti.
2. Mettez la commande Marche/Arrêt Stop en position ARRÊT (O).

MODE D'EMPLOI

TENUE DE LA DfSHERBEUSE



AVERTISSEMENT: portez toujours des protections (yeux, oreilles, pieds et corps) pour diminuer les risques de blessures durant l'utilisation de l'appareil.

Avant de faire marcher l'appareil, tenez-vous en position de fonctionnement (Fig. 9). Vérifiez les points suivants:

- ¥ L'opérateur porte une visière et des vêtements appropriés.
- ¥ Le bras droit est librement plié et la main tient l'arbre par sa prise.
- ¥ Le bras gauche est droit et la main tient la poignée en D.
- ¥ L'appareil est au-dessous de la ceinture.
- ¥ L'accessoire de coupe est parallèle au sol et touche facilement la végétation sans que l'opérateur ne doive se pencher.



Fig. 9

Régulation de la longueur du fil

L'accessoire de coupe Bump Head^{MC} vous permet de donner du fil sans arrêter le moteur. Pour avoir plus de fil, tapez doucement l'accessoire de coupe sur le sol (Fig. 10) tout en faisant marcher la débroussailleuse à haut régime.

REMARQUE : gardez toujours le fil bien déroulé. Il devient plus difficile de donner du fil à mesure que le fil de coupe devient plus court.

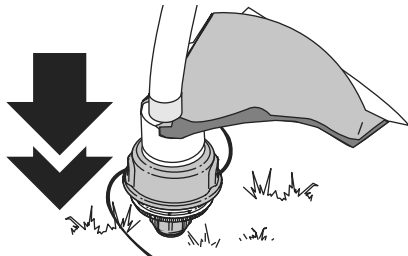


Fig. 10

Chaque fois que vous donnez un coup sur la tête, vous déroulez environ 25,4 mm (1 po) de fil. La lame du protecteur d'accessoire de coupe est conçue pour couper le fil à la bonne longueur si vous déroulez trop de fil. Pour de meilleurs résultats, tapez la tête de butée sur un sol détrempé ou dur. Si vous donnez du fil dans un lieu d'herbe haute, vous risquez de caler le moteur. Gardez toujours le fil bien déroulé. Il devient plus difficile de donner du fil à mesure que le fil de coupe se raccourcit.

REMARQUE : Ne posez pas la tête de butée sur le sol lorsque l'appareil est en marche.



MISE EN GARDE: n'enlevez pas ni n'altérez l'ensemble de la lame coupante. Un excès de fil surchauffera l'embrayage. Ceci pourrait causer des blessures graves ou endommager l'appareil.

Le fil peut se briser dans les cas suivants :

- ¥ Happement de corps étrangers
 - ¥ Usure normale du fil
 - ¥ Coupe de mauvaises herbes épaisses à longues tiges
 - ¥ Forcer le fil dans des objets comme des murs ou des poteaux de clôture
- CONSEILS POUR BIEN DÉBROUSSILLER**
- ¥ Le bon angle pour l'accessoire de coupe est parallèle au sol.
 - ¥ Ne forcez pas l'accessoire. Coupez avec la pointe du fil (surtout le long des murs). Utiliser plus que la pointe diminue l'efficacité de la coupe et peut surcharger le moteur.
 - ¥ Coupez l'herbe de plus de 200 mm (8 po) en procédant de haut en bas par petits incréments pour éviter d'user le fil prématurément ou de freiner le moteur.
 - ¥ Coupez de droite à gauche chaque fois que possible. Cela améliore l'efficacité de coupe de l'appareil et les résidus de coupe sont projetés loin de l'opérateur.
 - ¥ Déplacez lentement la débroussailleuse dans et hors de la zone de coupe à la hauteur voulue. Procédez d'avant en arrière ou d'un côté à l'autre. Les coupes de longueur plus courte donnent les meilleurs résultats.
 - ¥ Ne débroussillez que lorsque l'herbe et les mauvaises herbes sont sèches.

¥ La durée de vie de votre fil de coupe dépend:

• De l'application des techniques de coupe préconisées

• Du type de végétation à couper

• Du lieu de coupe

Par exemple, le fil s'use plus vite si vous coupez le long d'un mur de fondation que si vous coupez autour d'un arbre.

COUPE DÉCORATIVE

La coupe décorative consiste à débroussiller la végétation autour des arbres, des bornes, des clôtures, etc.

Tournez entièrement l'appareil de manière à ce que l'accessoire de coupe soit à un angle de 30° par rapport au sol (Fig. 11).

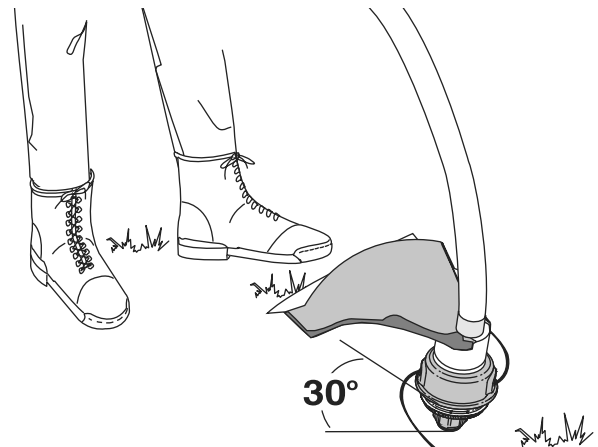


Fig. 11

ENTRETIEN ET REPARATIONS

REMARQUE : certaines procédures d'entretien nécessitent des compétences ou des outils particuliers. Si vous n'êtes pas sûr de pouvoir les entreprendre, emmenez votre appareil dans un atelier, chez un technicien ou un concessionnaire agréé spécialisé dans les réparations de moteurs d'outils mécaniques de plein air.

PROGRAMME D'ENTRETIEN

L'entretien doit respecter la fréquence indiquée dans le tableau ci-dessous. Il doit également faire partie de toute mise au point saisonnière.



AVERTISSEMENT: pour éviter tout accident, n'effectuez jamais l'entretien ou des réparations quand l'appareil fonctionne. Effectuez-les toujours lorsqu'il est froid. Débranchez le câble de la bougie pour prévenir la mise en route.

FRÉQUENCE	ENTRETIEN REQUIS	RÉFÉRENCE
Avant démarrage	Remplissez le réservoir du mélange d'essence/huile approprié	Page F8
Toutes les 10 heures	Nettoyez le filtre à air et lubrifiez-le de nouveau	Page F13
Toutes les 25 heures	Vérifiez le pare-étincelles et nettoyez-le Vérifiez l'état de la bougie et l'écartement des électrodes	Page F14 Page F15
Toutes les 50 heures	Examinez l'orifice d'échappement et l'écran pare-étincelles pour détecter tout bouchage ou obstruction, afin d'assurer des niveaux de performance maximum.	Page F14

INSTALLATION DU FIL

Cette section couvre l'installation de fil SplitLine^{MC} et l'installation de fil simple standard.

Utilisez toujours un fil de remplacement d'origine de 2,03mm (0,080 po). Un autre fil pourrait surchauffer ou endommager le moteur.



AVERTISSEMENT: n'utilisez jamais de fil, de chaîne ou de cordon à renfort métallique car ils peuvent se briser et se transformer en projectile dangereux.

Vous pouvez remplacer le fil de deux façons:

¥ Rembobinez du fil neuf dans le moulinet intérieur

¥ Installer un moulinet intérieur prérembobiné

Rembobiner le moulinet intérieur existant

1. Tenez la bobine extérieure d'une main et dévissez le bouton de butée vers la gauche (Fig. 12). Inspectez le boulon à l'intérieur du bouton de butée pour vous assurer qu'il se déplace librement. Remplacez le bouton de butée s'il est endommagé.

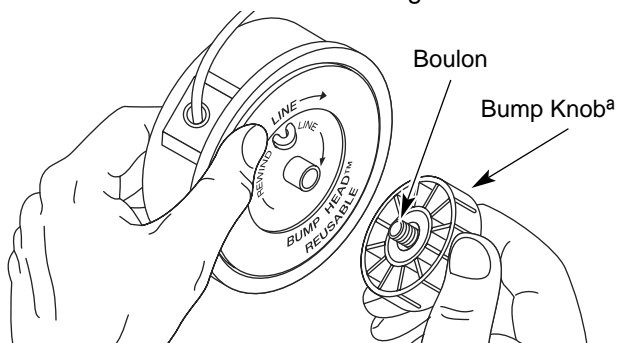


Fig. 12

REMARQUE: l'entretien, le remplacement ou la réparation des dispositifs et systèmes antipollution peuvent être effectués par tout atelier, technicien ou concessionnaire agréé spécialisé dans les réparations de moteurs d'outils mécaniques de plein air.

Afin d'assurer une performance optimale du moteur, il est conseillé d'examiner l'orifice d'échappement du moteur après 50 heures de fonctionnement. Si vous remarquez une perte de tours par minute, une pauvre performance ou un manque général d'accélération, cet entretien peut sauver le moteur. Si vous pensez que le moteur a besoin de ce type d'inspection, apportez-le pour réparation auprès d'un atelier, technicien ou concessionnaire agréé spécialisé dans les réparations de moteurs d'outils mécaniques de plein air. N'essayez PAS de le faire vous-même car un endommagement du moteur pourrait résulter de la présence d'impuretés provenant du nettoyage de l'orifice.

2. Retirez le moulinet intérieur de la bobine extérieure (Fig. 13).
3. Retirez le ressort du moulinet (Fig. 13).
4. Nettoyez le moulinet intérieur, le ressort, et l'arbre et la surface interne de la bobine extérieure à l'aide d'un tissu propre.
5. Vérifiez l'état d'usure des dents de positionnement sur le moulinet intérieur et la bobine extérieure (Fig. 14). Enlevez les barbes ou remplacez le moulinet et la bobine au besoin.

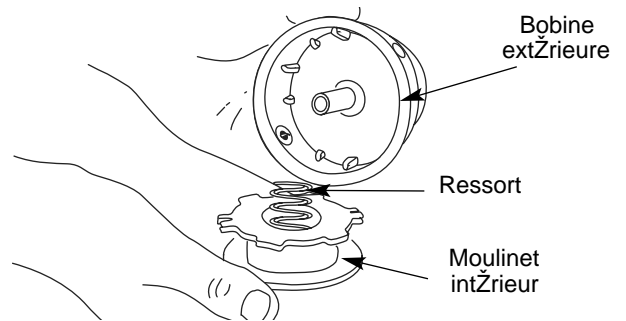


Fig. 13

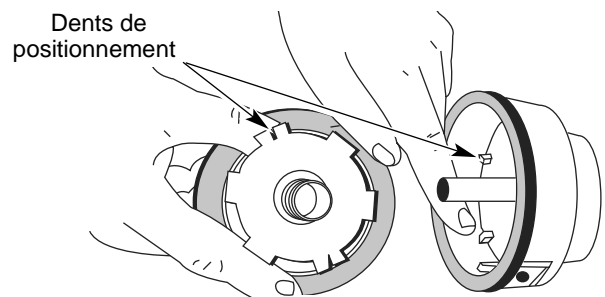


Fig. 14

ENTRETIEN ET REPARATIONS

Utiliser avec le fil simple
UNIQUEMENT

Utiliser avec le SplitLine^{MC}
ou le fil simple

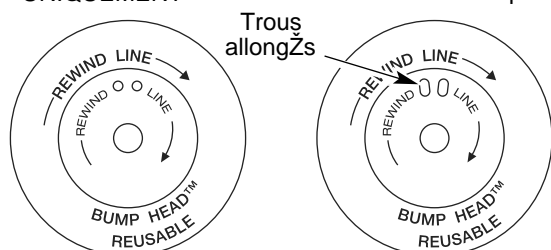


Fig. 15

REMARQUE : le SplitLine^{MC} peut être utilisé seulement avec le moulinet intérieur à trous allongés. Le fil simple peut être utilisé avec les deux sortes de moulinet intérieur. Identifiez votre type de moulinet en vous référant à la Figure 15.

REMARQUE : utilisez toujours la bonne longueur de fil lorsque vous posez le fil sur l'appareil. Le fil risque de ne pas se dérouler correctement s'il est trop long.

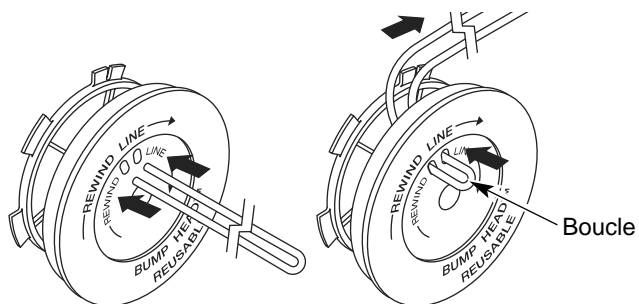


Fig. 16

Installation du fil simple

Pour l'installation du SplitLine^{MC}, passez à l'étape 8.

6. Découpez environ 6 m (20 pi) de fil neuf et faites-en deux boucles de longueurs égales. Insérez chaque extrémité de fil dans l'un des deux trous du moulinet (Fig. 16). Tirez le fil à travers le moulinet pour que la boucle soit le plus petit possible.
7. Enroulez les fils en couches uniformes serrées sur le moulinet (Fig. 17). Enroulez le fil dans le sens indiqué sur le moulinet intérieur. Placez votre index entre les deux fils pour les empêcher de se superposer. Ne superposez pas les extrémités du fil. Passez à l'étape 11.

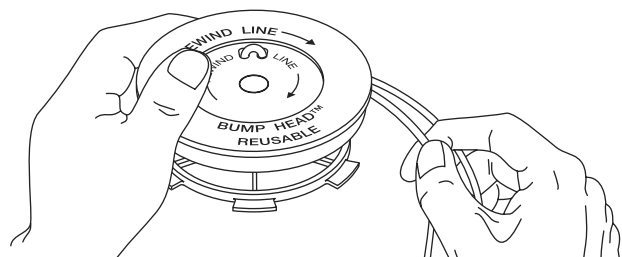


Fig. 17

Installation du SplitLine^{MC}

8. Découpez environ 3 m (6 pi) de fil neuf. Insérez une extrémité de fil dans l'un des deux trous du moulinet intérieur (Fig. 18). Tirez le fil jusqu'à ne laisser que 10 cm (4 po) environ.

9. Insérez l'autre extrémité du fil dans le trou ouvert du moulinet et tirez sur le fil pour que la boucle soit le plus petit possible (Fig. 18).

10. Avant de rembobiner le fil, séparez-le en deux sur une longueur d'environ 15 cm (6 po).

11. Enroulez le fil en couches uniformes serrées dans le sens indiqué sur le moulinet intérieur.

REMARQUE : ne pas enrouler le fil dans le sens indiqué entraînera un mauvais fonctionnement de l'accessoire de coupe.

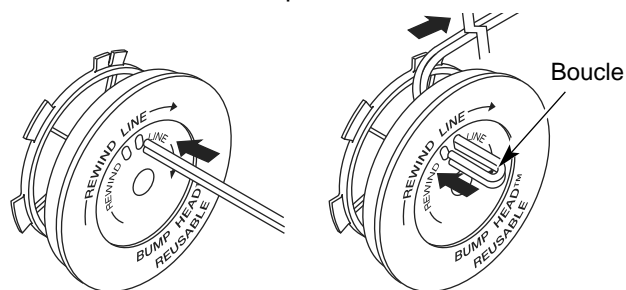


Fig. 18

12. Insérez les extrémités du fil dans les deux fentes de retenue (Fig. 19).

13. Insérez les extrémités du fil dans les filets de la bobine extérieure et placez le moulinet et le ressort dans la bobine (Fig. 20). Enfoncez le moulinet et la bobine ensemble. Tout en tenant le moulinet et la bobine, saisissez les extrémités et tirez fermement pour dégager le fil des fentes de retenue de la bobine.

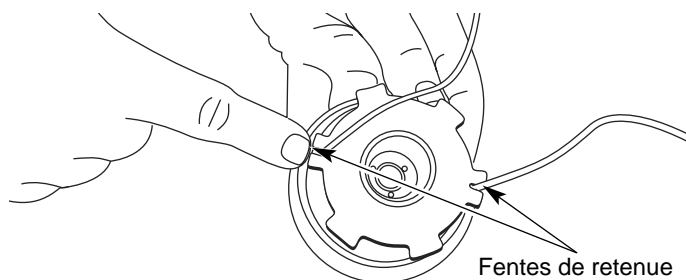


Fig. 19

REMARQUE : le ressort doit être installé dans le moulinet intérieur avant de remonter l'accessoire de coupe.

14. Maintenez le moulinet en place et installez le bouton de butée en le tournant à droite. Vissez bien.

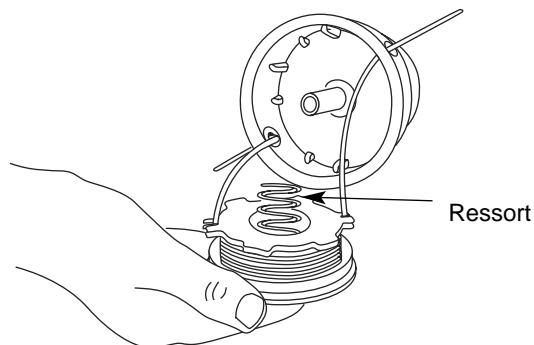


Fig. 20

Installation d'un moulinet prĚrembobinĚ

1. Tenez la bobine extĚrieure d'une main et dĚvissez le bouton de butĚe vers la gauche (Fig. 12). Inspectez le boulon Ě l'intĚrieur du bouton de butĚe pour vous assurer qu'il se dĚplace librement. Remplacez le bouton de butĚe s'il est endommagĚ.
2. Retirez l'ancien moulinet intĚrieur de la bobine extĚrieure (Fig. 13).
3. Retirez le ressort de l'ancien moulinet intĚrieur (Fig. 13).
4. Placez le ressort dans le moulinet intĚrieur neuf.

REMARQUE : le ressort doit Ětre installĚ dans le moulinet intĚrieur avant de remonter l'accessoire de coupe.

5. InsĚrez les extrĚmitĚs du fil dans les Ěllets de la bobine extĚrieure (Fig. 20).
6. Placez le moulinet intĚrieur neuf dans la bobine. Poussez le moulinet et la bobine ensemble. Tout en tenant le moulinet et la bobine, saisissez les extrĚmitĚs et tirez fermement pour dĚgager le fil des fentes de retenue de la bobine.
7. Maintenez le moulinet en place et installez le bouton de butĚe en le tournant Ě droite. Vissez bien.

ENTRETIEN DU FILTRE Ě AIR

Retrait du couvercle du filtre Ě air/silencieux

	<p>AVERTISSEMENT: pour Ěviter des blessures graves, dĚtachez toujours l'appareil et laissez-le refroidir avant tout nettoyage ou entretien.</p>
---	--

1. Mettez le levier bleu en Position 2.

REMARQUE : pour enlever le couvercle du filtre Ě air/silencieux, le levier bleu doit Ětre en Position 2 (Fig. 21).

2. Retirez les quatre (4) vis retenant le couvercle du filtre Ě air/silencieux (Fig. 21). Servez-vous d'un tournevis Ě mĚche no. 20 Torx.
3. Retirez le couvercle du moteur. Ne forcez pas.

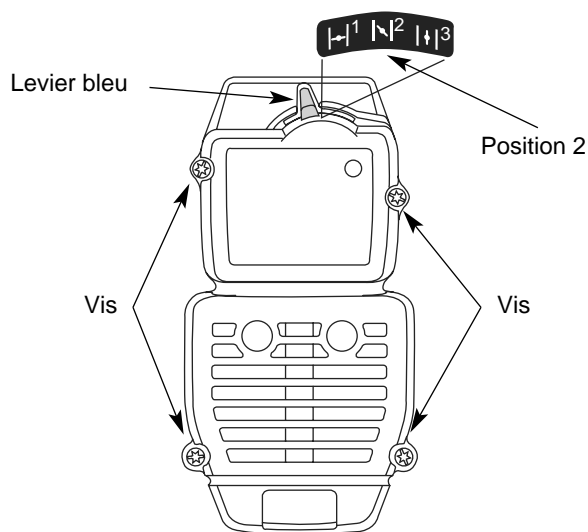


Fig. 21

NETTOYAGE DU FILTRE Ě AIR

Nettoyez et lubrifiez le filtre Ě air Ě toutes les 10 heures de fonctionnement. C'est l'un des ĚlĚments les plus importants pour l'entretien. Tout manquement Ě l'entretien du filtre Ě air peut entraĚner une baisse de performances ou causer des dĚgĚts permanents Ě votre moteur.

1. Retirez le filtre Ě air/couvercle du silencieux. Voir la section *Retrait et installation du filtre Ě air/couvercle du silencieux*.
2. Retournez le couvercle et inspectez l'intĚrieur pour repĚrer le filtre Ě air. Retirez le filtre Ě air de l'intĚrieur du couvercle du filtre Ě air/silencieux (Fig. 22).
3. Lavez le filtre dans un mĚlange d'eau et de dĚtergent (Fig. 23). Rincez le filtre abondamment. Essorez l'excĚdent d'eau. Laissez sĚcher complĚtement.
4. Appliquez suffisamment d'huile propre SAE 30 pour enduire lĚgĚrement le filtre (Fig. 24).
5. Pressez le filtre pour rĚpartir et drainer l'excĚdent d'huile (Fig. 25).

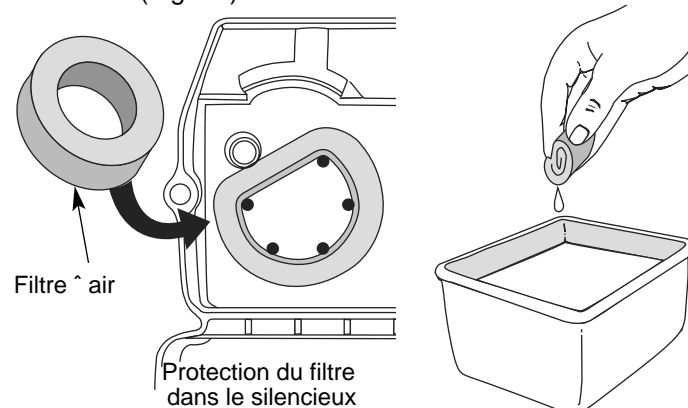


Fig. 22

Fig. 23

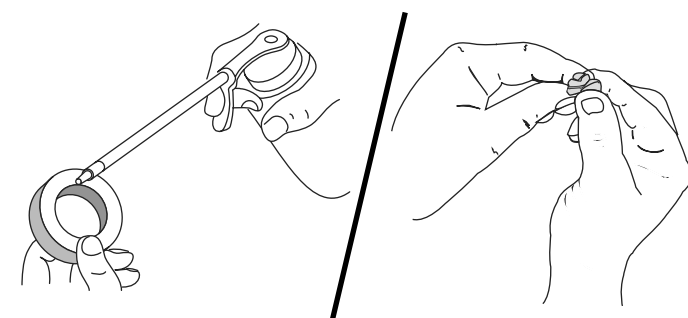


Fig. 24

Fig. 25

6. Remplacez le filtre Ě air dans le filtre Ě air/couvercle du silencieux (Fig. 22).

REMARQUE : l'utilisation de l'appareil sans filtre Ě air et sans ensemble filtre Ě air/couvercle du silencieux ANNULERA la garantie.

RĚinstallation du filtre Ě air/couvercle du silencieux

1. Placez le filtre Ě air/couvercle du silencieux sur l'endos du carburateur et du silencieux. Alignez les trous Ě vis.
2. InsĚrez les quatre (4) vis dans les trous du filtre Ě air/couvercle du silencieux (Fig. 21) et vissez sans trop serrer.

ENTRETIEN DU PARE-ÉTINCELLES

1. Retirez le couvercle du filtre à air/silencieux. Voir *Retrait du couvercle du filtre à air/silencieux*.
2. Situez le pot d'échappement sans le retirer. Trouvez le vis sur la partie inférieure du pot d'échappement (Fig. 26). Retirez le vis en vous servant soit d'un tournevis torx #20 ou d'un tournevis plat.
3. Soulevez gentiment la couverture du pare-étincelles du côté gauche. Deux pattes servent de charnières sur le côté droit de la couverture. Ouvrez le couvercle du pare-étincelles comme une porte et faites sortir ses pattes des fentes dans le pot d'échappement.
4. En vous servant d'un petit tournevis plat, faites sortir gentiment l'écran du pare-étincelle de l'intérieur de la couverture du pare-étincelles.
5. Nettoyez l'écran du pare-étincelles à l'aide d'une brosse métallique. Remplacez-le s'il est endommagé ou si vous n'arrivez pas à le nettoyer complètement.
5. Réinstallez l'écran du pare-étincelles dans la couverture du pare-étincelles de façon à ce qu'il soit bien encastré.
6. Réinstallez les deux pattes de la couverture dans les fentes du pot d'échappement et fermez la couverture du pare-étincelles.
8. Revissez le vis que vous avez retirés à l'étape 2 et serrez-le bien.
9. Remplacez le couvercle du filtre à air/silencieux.

RÉGLAGE DU CARBURATEUR

Le régime ralenti du moteur est réglable par le couvercle du filtre à air/silencieux (Fig. 27).

REMARQUE : des réglages non soignés peuvent endommager sérieusement l'appareil. Les réglages de carburateur doivent être faits par un concessionnaire agréé.

Vérification du mélange de carburant

En général, si l'appareil ne fonctionne pas correctement, c'est que le carburant est vieux ou mal mélangé. Videz puis remplissez le réservoir de carburant frais et bien mélangé avant d'effectuer des réglages. Voir la section *Informations sur l'huile et le carburant*.

Nettoyage du filtre à air

L'état du filtre à air est très important pour le fonctionnement de l'appareil. Un filtre à air sale restreint le débit d'air et affecte le mélange de carburant/air. On confond cela souvent avec un mauvais réglage du carburateur. Vérifiez l'état du filtre à air avant de régler la vis de réglage de ralenti. Voir *Entretien du filtre à air*.

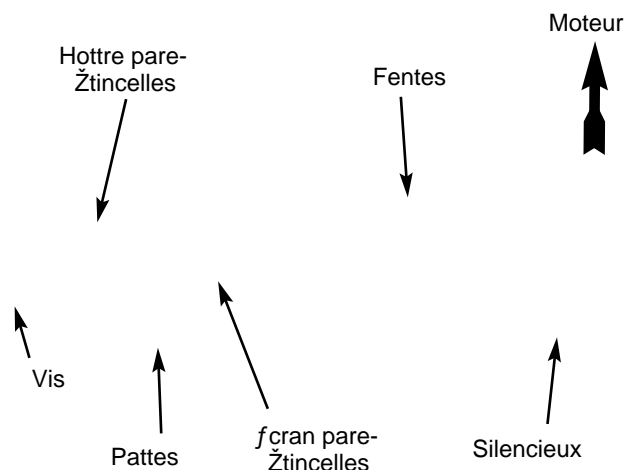


Fig. 26

ENTRETIEN ET REPARATIONS

Régulation de la vis de réglage de ralenti

Si le moteur ne se met toujours pas au ralenti après vérification du mélange de carburant et du nettoyage du filtre à air, réglez la vis de ralenti comme suit:

1. Démarrez le moteur et laissez-le tourner à haut régime pendant une minute pour se réchauffer. Voir les *Instructions de démarrage et d'arrêt*.

	AVERTISSEMENT: il se peut que l'accessoire de coupe tourne pendant le réglage de la vitesse de ralenti. Portez des vêtements protecteurs et respectez toutes les consignes de sécurité pour éviter des blessures graves.
---	---

2. Relâchez le levier d'accélérateur et laissez le moteur au ralenti. Si le moteur s'arrête, insérez un petit tournevis à embout cruciforme ou à tête plate dans le trou du filtre à air/couvercle du silencieux (Fig. 27). Vissez la vis de ralenti de 1/8 de tour à la fois (selon le besoin) jusqu'à ce que le moteur se mette bien au ralenti.
3. Si le ralenti semble trop rapide, dévissez la vis de réglage du ralenti de 1/8 de tour à la fois (selon le besoin) pour réduire la vitesse de ralenti.

La vérification du mélange de carburant, le nettoyage du filtre à air et le réglage de la vis de ralenti devraient résoudre la plupart des problèmes de moteur.

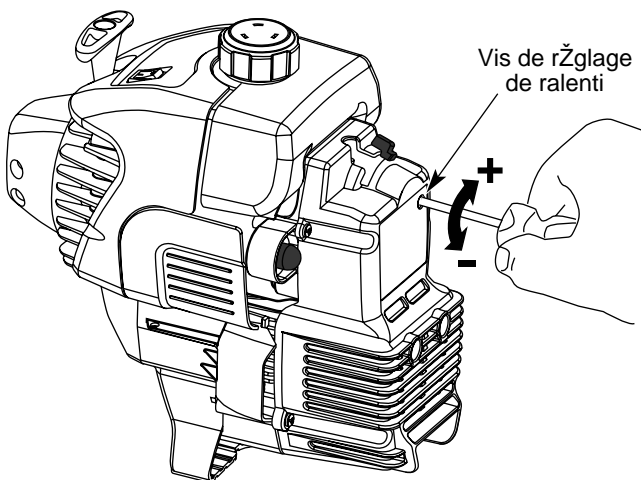


Fig. 27

Dans le cas contraire et si :

- ¥ Le moteur ne se met pas au ralenti,
 - ¥ Le moteur hésite ou se cale lors d'une accélération,
 - ¥ Le moteur perd de la puissance,
- faites régler le carburateur par un concessionnaire agréé.

	AVERTISSEMENT: une fois l'appareil éteint, pour éviter des blessures graves assurez-vous que l'accessoire de coupe est arrêté avant de poser l'appareil.
---	---

REPLACEMENT DE LA BOUGIE

Utilisez une bougie #610311 (ou un Champion RDJ7Y). L'écartement correct est de 0,5 mm (0,020 po). Retirez la bougie après 25 heures de fonctionnement et vérifiez son état.

1. Arrêtez le moteur et laissez-le refroidir. Saisissez fermement le cône de la bougie et retirez le capuchon de celle-ci.
2. Nettoyez toute saleté de la bougie. Retirez la bougie de la culasse en tournant la douille de 5/8 po à gauche.
3. Remplacez toute bougie fendillée, encrassée ou sale. Réglez l'écartement à 0,5 mm (0,020 po) à l'aide d'une jauge d'épaisseur (Fig. 28).

	MISE EN GARDE: Évitez de sabler, gratter ou nettoyer les électrodes car de la saleté dans le moteur pourrait endommager le cylindre.
---	---

4. Installez la bougie avec un écartement correct dans la culasse en tournant la douille de 5/8 po à droite jusqu'à la bien visser.

Si vous utilisez une clé dynamométrique vissez avec les valeurs de couple suivantes :

110-120 po·lb (12,3-13,5 N·m).

Évitez de trop serrer.

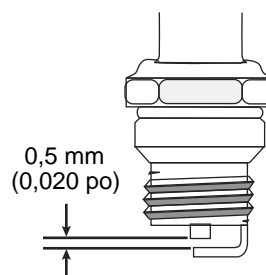


Fig. 28

ENTRETIEN ET REPARATIONS

NETTOYAGE

	AVERTISSEMENT: pour éviter des blessures graves, nettoyez toujours la machine et laissez-la refroidir avant tout nettoyage ou entretien.
---	---

Nettoyez l'extérieur de l'appareil à l'aide d'une petite brosse. N'utilisez pas de détergents concentrés. Les nettoyants ménagers contenant des huiles aromatiques tel que le pin et le citron, et les solvants tel que le kérosène peuvent endommager le boîtier ou la poignée en plastique. Essuyez toute trace d'humidité à l'aide d'un tissu doux.

ENTREPOSAGE

- ✘ Ne rangez jamais l'appareil plein de carburant dans un lieu où les vapeurs peuvent atteindre une flamme vive ou des étincelles.
- ✘ Laissez le moteur se refroidir avant de l'entreposer.
- ✘ Rangez l'appareil dans un lieu verrouillé pour éviter toute utilisation ou accident indésirable.
- ✘ Rangez l'appareil dans un lieu sec et bien aéré.
- ✘ Rangez l'appareil hors de la portée des enfants.

ENTREPOSAGE DE LONGUE DURÉE

Si vous comptez entreposer l'appareil pendant une longue période, appliquez la procédure suivante:

1. Videz tout le carburant du réservoir dans un récipient contenant le même mélange 2-temps. N'utilisez pas de carburant stocké pendant plus de 60 jours. Éliminez le vieux mélange de carburant conformément aux règlements fédéral, provincial et municipal en vigueur.

2. Démarrez le moteur, puis laissez-le tourner jusqu'à ce qu'il cale. Cela permet de s'assurer que le carburateur s'est vidé de son carburant.
3. Laissez le moteur refroidir. Retirez la bougie et versez environ 30 ml (1 oz) d'huile moteur ou d'huile moteur 4-temps de qualité dans le cylindre. Tirez lentement sur la corde de démarrage pour bien distribuer l'huile. Remplacez la bougie.

REMARQUE : retirez la bougie et videz toute l'huile du cylindre avant de mettre en marche la machine après une période d'entreposage.

4. Nettoyez soigneusement l'appareil et vérifiez qu'il ne comporte pas de pièces desserrées ou endommagées. Réparez ou remplacez les pièces endommagées, puis serrez les vis, écrous et boulons desserrés. L'appareil est alors prêt pour l'entreposage.

TRANSPORT

- ✘ Laissez le moteur refroidir avant le transport.
- ✘ Attachez bien l'appareil lors du transport.
- ✘ Videz tout le carburant de l'appareil.
- ✘ Serrez le bouchon du réservoir avant le transport.

DfPANNAGE

LE MOTEUR REFUSE DE DfMARRER

CAUSE

RŹservoir de carburant vide
La poire d'amor•age n'a pas ŹtŹ pressŹe assez fort
Moteur noyŹ
Carburant vieux ou mal mŹlangŹ
Bougie encrassŹe
Pare-Źtincelles colmatŹ

SOLUTION

Remplissez-le de carburant bien mŹlangŹ.
Pressez-la compl•tement et lentement de 10 fois
Utilisez la procŹdure de dŹmarrage
Drainez le rŹservoir/ajoutez du carburant frais
Remplacez ou nettoyez-la
Nettoyez ou remplacez le pare-Źtincelles

LE MOTEUR REFUSE DE SE METTRE AU RALENTI

CAUSE

Filtre ^ air bouchŹ
Carburant vieux ou mal mŹlangŹ
Mauvais rŹglage du carburateur

SOLUTION

Remplacez ou nettoyez-le
Drainez le rŹservoir/ajoutez du carburant frais
Ajustez selon l'instruction

LE MOTEUR REFUSE DŐACCfLrER

CAUSE

Carburant vieux ou mal mŹlangŹ
Mauvais rŹglage du carburateur
Accessoire de coupe engorgŹ d'herbes
Filtre ^ air sale
Pare-Źtincelles colmatŹ

SOLUTION

Drainez le rŹservoir/ajoutez du carburant frais
Faites-le rŹgler par un concessionnaire agrŹŹ
Arr•tez le moteur et nettoyez l'accessoire
Remplacez ou nettoyez-le
Nettoyez ou remplacez le pare-Źtincelles

LE MOTEUR MANQUE DE PUISSANCE OU SE CALE DURANT LA COUPE

CAUSE

Carburant vieux ou mal mŹlangŹ
Mauvais rŹglage du carburateur
Bougie encrassŹe
Pare-Źtincelles colmatŹ

SOLUTION

Drainez le rŹservoir/ajoutez du carburant frais
Faites-le rŹgler par un concessionnaire agrŹŹ
Remplacez ou nettoyez-la
Nettoyez ou remplacez le pare-Źtincelles

LA T•TE DE COUPE NE FAIT PAS AVANCER LE FIL

CAUSE

Accessoire de coupe engorgŹ d'herbes
Accessoire de coupe mal alignŹ
Moulinet intŹrieur bloquŹ
T•te de coupe sale
Fil soudŹ

Fil tordu durant la recharge
QuantitŹ insuffisante de fil exposŹe

SOLUTION

Arr•tez le moteur et nettoyez l'accessoire
Chargez du fil neuf
Remplacez le moulinet
Nettoyez le moulinet intŹrieur et la bobine extŹrieure
DŹmontez et dŹposez la partie soudŹe, et rembobinez le fil
DŹmontez puis rembobinez le fil
Enfoncez le bouton de butŹe et tirez le fil jusqu'• en extraire 102 mm (4 po) ^ IŐextŹrieur de IŐaccessoire de coupe

LE FIL DE COUPE AVANCE DE MANI•RE INCONTR•LE

CAUSE

PrŹsence d'huile dans la t•te de coupe

SOLUTION

Nettoyez l'accessoire de coupe

Si vous avez besoin d'aide, contactez votre concessionnaire agrŹŹ.

CARACTÉRISTIQUES

MOTEUR*

Type de moteur	Refroidi par air, 2-temps
Course	31,75 mm (1,25 po)
Cylindrée	31 cc (1,9 po ³)
Régime de fonctionnement	6.800+ tr/min
Régime ralenti	3.200-4.400 tr/min
Type d'allumage.....	électronique
Contact d'allumage.....	Interrupteur à berceau
Écartement de la bougie.....	0,5 mm (0,020 po)
Lubrification	Mélange carburant/huile
Rapport carburant/huile	40:1
Carburateur	Membrane, toutes positions
Démarrateur.....	Rembobinage automatique
Silencieux.....	Chicane avec protection
Accélérateur.....	Rappel manuel
Capacité du réservoir de carburant.....	444 ml (15 oz)

ARBRE D'ENTRAÎNEMENT et ACCESSOIRE DE COUPE*

Logement de l'arbre d'entraînement	Tube acier
Manette des gaz	Détente à ressort du doigt
Poids de l'appareil (vide, avec accessoire de coupe et protecteur, et poignée en D)	5 kg (11 lb)
Mécanisme de coupe	Bump Head ^{MC}
Bandoulière	Facultatif
Diamètre de la bobine de fil.....	76,2 mm (3 po)
Diamètre du fil.....	2,03 mm (0,080 po)
Diamètre du chemin de coupe.....	43,18 cm (17 po)

*Toutes les spécifications contenues dans ce manuel tiennent compte des dernières informations techniques disponibles au moment de mettre sous presse. Nous nous réservons le droit d'y apporter des modifications à tout moment, sans préavis.

Garantie portant sur les normes antipollution de l'EPA et la California

Vos droits et obligations en vertu de cette garantie

Le California Air Resource Board, la Environmental Protection Agency et MTD LLC (MTD) ont le plaisir de présenter la garantie du dispositif antipollution des petits moteurs à usage tout-terrain datant de 2005 et au-delà. Les nouveaux petits moteurs à usage tout-terrain doivent être conçus, construits et équipés pour être conformes aux strictes normes anti-smog. MTD doit garantir le système de contrôle des émissions de votre petit moteur à usage tout-terrain pendant les périodes de temps indiquées ci-dessous à condition que le moteur n'ait pas souffert d'abus, de négligence ou fait l'objet d'un mauvais entretien.

Votre dispositif antipollution peut inclure des pièces diverses tel que le carburateur ou un système d'injection, le dispositif d'allumage et un convertisseur catalytique. Il pourrait aussi inclure des tuyaux, courroies, connecteurs et autres ensembles de pièces relatives aux émissions.

Advenant une situation couverte par la garantie, MTD réparera votre petit moteur à usage tout-terrain sans frais aucun y compris le diagnostic, les pièces et la main d'œuvre.

Les moteurs à usage tout-terrain datant de 2005 et plus sont garantis pendant deux ans. Si une pièce de votre moteur relative aux émissions devenait défectueuse, MTD la réparera ou la remplacera.

Responsabilités du propriétaire en vertu de cette garantie

En tant que propriétaire d'un petit moteur à usage tout-terrain, vous êtes responsable des entretiens requis indiqués dans votre manuel de l'utilisateur. MTD recommande que vous conserviez tous les records d'entretien de votre petit moteur à usage tout-terrain. MTD ne peut toutefois refuser votre garantie juste parce que vous n'avez pas les records ou si vous ne veillez pas à ce que les travaux d'entretien prévus soient effectués.

En tant que propriétaire d'un petit moteur à usage tout-terrain, sachez que MTD peut refuser de vous couvrir sous garantie si votre moteur ou si une pièce sont défectueux pour cause d'abus, de négligence, d'entretien incorrect ou de modifications non autorisées.

Il vous incombe de présenter votre petit moteur à usage tout-terrain à un centre de service agréé MTD dès que le problème fait son apparition. Les réparations sous garantie doivent être achevées dans une durée de temps raisonnable ne dépassant en aucun cas 30 jours.

Si vous avez des questions au sujet de vos droits et responsabilités en vertu de cette garantie, appelez le 1-800-345-8746.

Garantie du fabricant

La période de garantie commence à la date où le moteur ou l'équipement est livré à l'acheteur au détail.

Le fabricant garantit au propriétaire initial et à chaque acheteur subséquent que le moteur est libre de défauts de matériaux et de vices de fabrication pouvant provoquer la défaillance d'une pièce garantie pendant une période de deux ans.

Toute réparation ou remplacement d'une pièce garantie devra être effectué sans aucun frais au compte du propriétaire par un centre de service MTD agréé. Pour connaître le centre le plus proche de vous, veuillez contacter MTD à : 1-800-345-8746.

Toute pièce garantie dont le remplacement n'est pas prévu dans le cadre des entretiens requis, ou dont uniquement une inspection normale est prévue selon le principe de "réparation ou remplacement au besoin", est garantie pendant la période de garantie. Toute pièce garantie dont le remplacement est prévu dans le cadre des entretiens requis sera garantie pendant la période de temps allant jusqu'à la date du premier remplacement prévu pour cette pièce.

Le propriétaire ne subira pas de frais relatifs à un travail de diagnostic qui conclut que la pièce garantie est défectueuse si le travail de diagnostic a été effectué chez un centre de service MTD agréé.

Le fabricant est responsable de tous les dommages occasionnés aux autres composants du moteur par la défaillance d'une pièce encore sous garantie.

Les défaillances causées par l'abus, la négligence ou un mauvais entretien ne sont pas couvertes par cette garantie.

L'utilisation d'un ajout ou de pièces modifiées peut justifier le refus d'une réclamation au titre de la garantie. Le fabricant n'est pas responsable des défaillances des pièces garanties découlant de l'utilisation d'ajouts ou de pièces modifiées.

Pour déposer une réclamation, adressez-vous au centre de service MTD agréé le plus proche. Les services ou réparations sous garantie sont offerts par tous les centres de service MTD agréés.

Toutes les pièces de rechange approuvées par le fabricant peuvent être utilisées dans le cadre d'un entretien ou d'une réparation sous garantie de pièces relatives au dispositif antipollution et sont fournies sans frais. Toute pièce de rechange équivalente en termes de performances ou de durabilité peut être utilisée lors d'un entretien ou d'une réparation hors garantie et ne diminue pas les obligations qui incombent au fabricant en vertu de la garantie.

Les composants suivants sont inclus dans la garantie relative au système antipollution du moteur : filtre à air, carburateur, poire d'amorçage, conduites de carburant, alimentation d'arrivée, filtre à carburant, module d'allumage, bougie et silencieux.

GARANTIE LIMITÉE DU FABRICANT POUR:



La garantie limitée énoncée ci-après est accordée par MTD LLC (Ç MTD É) et concerne les marchandises neuves achetées et utilisées aux États-Unis, ainsi que dans leurs possessions et territoires.

MTD garantit ce produit contre tout vice de matière ou de façon pendant une période de l'année (1) à compter de la date d'achat initiale et elle se réserve le choix de réparer ou de remplacer, à titre gratuit, toute pièce présentant un vice de matière ou de façon. Cette garantie limitée ne s'appliquera que dans la mesure où le produit aura été utilisé et entretenu conformément au Guide de l'utilisateur fourni avec le produit et n'aura pas fait l'objet d'un usage inadéquat, abusif, commercial ou négligent, d'un accident, d'un entretien inadéquat, d'une modification, de vandalisme, d'un vol, d'un incendie, de dégâts d'eau ou d'un endommagement résultant d'un autre préjudice ou d'un désastre naturel. Les dommages résultant de l'installation ou de l'utilisation de tout accessoire ou équipement non approuvés par MTD pour une utilisation avec le(s) produit(s) couvert(s) par le présent guide annuleront la garantie et ce qui concerne les dommages qui en résulteraient éventuellement. La présente garantie est limitée à quatre-vingt-dix (90) jours à compter de la date d'achat au détail initiale pour tout produit MTD utilisé à des fins locatives ou commerciales, ou toute utilisation produisant des revenus.

POUR L'ENTRETIEN-DÉPANNAGE : l'entretien-dépannage au titre de la garantie est disponible, SUR PRÉSENTATION DE PREUVE D'ACHAT, AUPRÈS DU DISTRIBUTEUR AGRICOLE LOCAL. Pour obtenir le nom du distributeur agricole local, consulter les Pages Jaunes ou se mettre en rapport avec le Service après-vente de MTD. en appelant le 1-800-345-8746 ou en écrivant au P.O. Box 361131, Cleveland OH 44136-0019 ou en appelant le 1-800-668-1238 au Canada. Aucun produit retourné à l'usine sans permission écrite préalable du service après-vente de MTD ne sera accepté.

La garantie limitée n'offre aucune couverture dans les cas suivants :

- Mises au point de Bougies, réglages de carburateur, filtres.
- Articles d'usure de Bouton de butée, bobines extérieures, fil de coupe, bobines intérieures, poulie de démarrage, cordes de démarrage, courroies d'entraînement.
- MTD n'accorde aucune garantie pour les produits vendus ou exportés des États-Unis, de leurs possessions et territoires, exception faite en ce qui concerne les produits vendus par l'intermédiaire de ses canaux agrégés de distribution à l'exportation.

MTD se réserve le droit de modifier ou d'améliorer la conception de tout produit MTD sans assumer l'obligation de modifier tout produit d'une fabrication plus ancienne.

Aucune garantie implicite, y compris toute garantie de valeur marchande ou d'adaptation à une fin particulière, ne s'applique après la période applicable de garantie expresse écrite ci-dessus concernant les pièces qui sont identifiées. Aucune autre garantie ou caution expresse, écrite ou orale, à l'exception de celle mentionnée ci-dessus, accordée par toute personne ou entité, y compris tout distributeur ou détaillant, concernant tout produit n'engagera la responsabilité de MTD. Pendant la période de garantie, le remède exclusif est la réparation ou le remplacement du produit dans les conditions énoncées ci-dessus. (Certains États ne permettent pas la limitation de la garantie implicite, il est donc possible que la limitation ci-dessus ne s'applique pas à vous.)

Les clauses énoncées dans la présente Garantie constituent le recours unique et exclusif inhérent aux ventes. MTD ne sera en aucun cas tenue pour responsable de tout dommage indirect ou consécutif ou de dommages comprenant, entre autres mais pas seulement, les dépenses encourues du fait du recours à des services de remplacement ou de substitution pour l'entretien des pelouses, le transport ou des frais connexes, ou les frais entraînés par une location destinée à remplacer provisoirement un produit sous garantie. (Certains États ne permettent pas la limitation de la garantie implicite, il est donc possible que la limitation ci-dessus ne s'applique pas à vous.)

Aucun recouvrement, quel qu'il soit, ne sera d'un montant supérieur au prix du produit vendu. Toute modification des dispositifs de sécurité du produit annulera la présente Garantie. Vous assumez tout risque et toute responsabilité résultant de la perte, de l'endommagement ou du préjudice que vous et votre propriété et/ou d'autres et leur propriété pourront encourir du fait de l'utilisation normale, de la mauvaise utilisation ou de l'empêchement d'utiliser le produit.

La présente garantie limitée n'est accordée qu'à l'acheteur initial, au preneur initial ou à la personne à laquelle le produit a été offert.

Le Droit des États vis à vis de la présente garantie : la présente garantie vous confère certains droits juridiques, et vous pouvez bénéficier d'autres droits, lesquels varient d'une juridiction à l'autre.

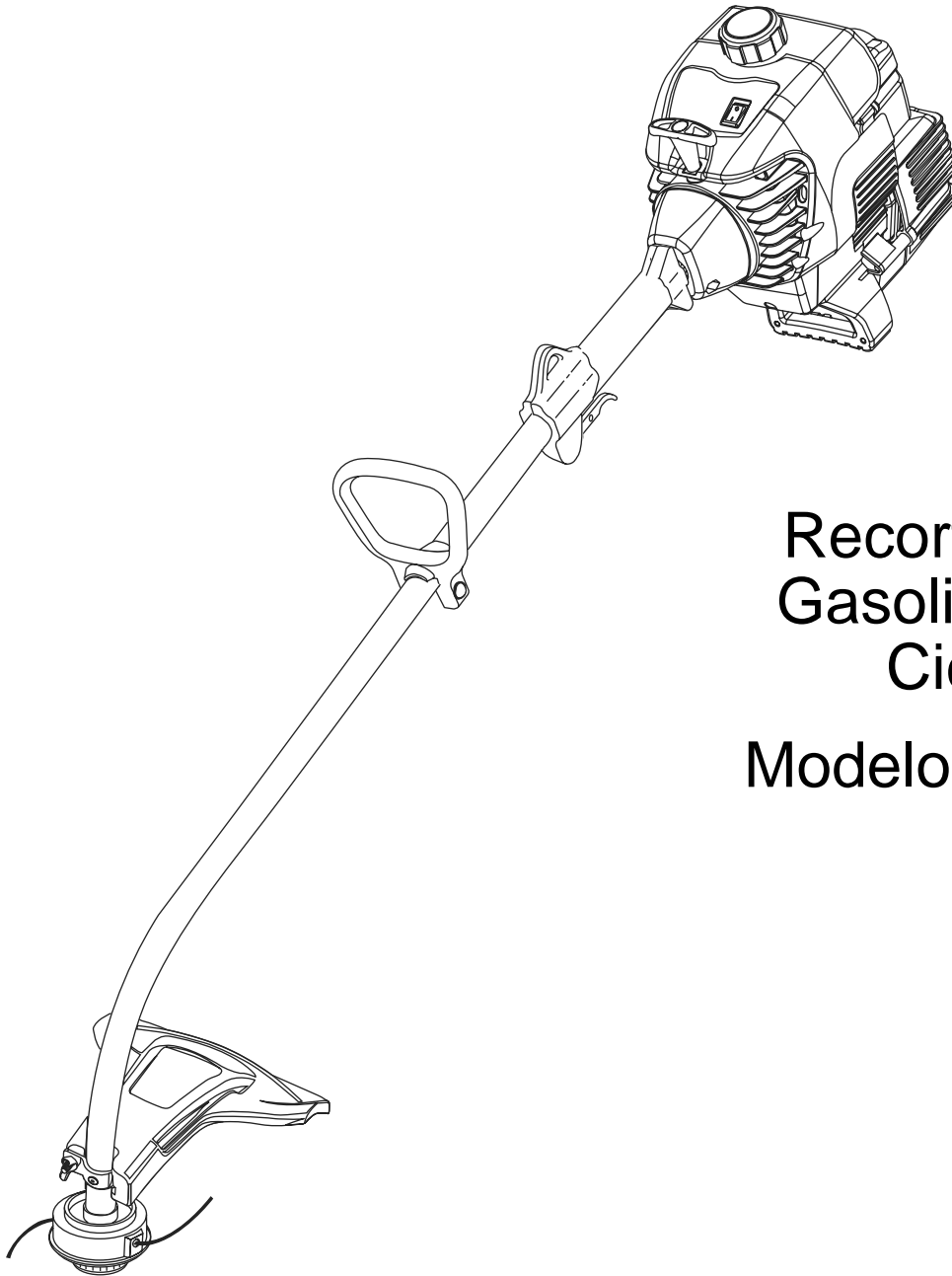
Pour obtenir l'adresse du distributeur agricole le plus proche, composer le : 1-800-345-8746 aux États-Unis ou le 1-800-668-1238 au Canada.

MTD LLC
P.O. Box 361131
Cleveland, OH 44136-0019

YARD MACHINES

by **MTD**®

Manuel del Dueño/Operador



Recortador a
Gasolina de 2
Ciclos

Modelo Y700VP

IMPORTANTE: LEA LAS REGLAS DE SEGURIDAD E INSTRUCCIONES DETENIDAMENTE

INTRODUCCION

MUCHAS GRACIAS

Gracias por haber adquirido este gran producto. Esta moderna herramienta motriz de exteriores está diseñada para brindarle muchas horas de servicio útil. Usted comprobará que es un artefacto que le ahorrará mucho trabajo. Este manual del operador le brinda instrucciones de operación de fácil comprensión. Lea todo el manual y siga todas las instrucciones para mantener su nueva herramienta motriz de exteriores en las mejores condiciones de funcionamiento.

REFERENCIAS, ILUSTRACIONES Y ESPECIFICACIONES DEL PRODUCTO

Toda la información, las ilustraciones y las especificaciones contenidas en este manual se basan en la información más reciente disponible en el momento de impresión del manual. Nos reservamos el derecho de hacer cambios en cualquier momento sin aviso previo.

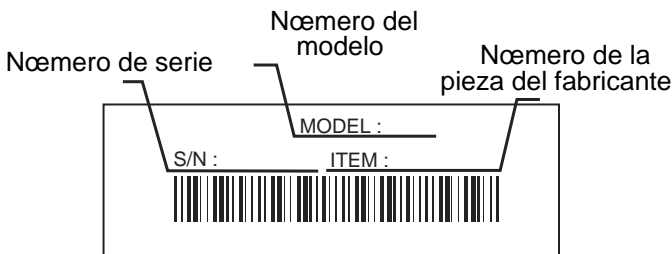
Copyright© 2005 MTD SOUTHWEST INC. Todos los derechos reservados.

INFORMACION DEL SERVICIO

El servicio de esta unidad, ya sea durante o después del período cubierto por la garantía, debe ser realizado solamente por un proveedor de servicios autorizado y aprobado. Llame 1-800-345-8746 en EE.UU. o al 1-800-668-1238 en Canada para obtener una lista de distribuidores de servicio localizados cerca de usted. Para obtener más detalles sobre su unidad, visite nuestro sitio en www.yardmachines.com.

NO REGRESE SU UNIDAD AL VENDEDOR. PARA SOLICITAR SERVICIO POR LA GARANTIA, DEBERA PRESENTAR PRUEBA DE SU COMPRA.

Antes de que empiece a ensamblar su nuevo equipo, por favor ubique la placa que contiene el modelo de la unidad y escriba esa información en el espacio en blanco aquí debajo. Aquí debajo se explica la muestra de una placa del modelo.



Copie el número del modelo/
pieza del fabricante aquí: _____

Copie el número
de serie aquí: _____

Antes de arrancar u operar este equipo, asegúrese de leer y comprender bien este manual.

ESTE PRODUCTO ESTA CUBIERTO POR UNA O MAS PATENTES DE EE.UU., OTRAS PATENTES EN TRAMITE.

INDICE DE CONTENIDOS

- Llamadas a apoyo al clienteE2
- Normas para una operación seguraE3
- Conozca su unidadE6
- Instrucciones de ensambleE7
- Información del aceite y del combustibleE8
- Instrucciones de arranque y apagadoE9
- Instrucciones de operaciónE10
- Instrucciones de mantenimiento y reparaciónE11
- Limpieza y almacenamientoE16
- Cuadro de solución de problemasE17
- EspecificacionesE18
- GarantíaE24
- Lista de PiezasContraportada


PARACHISPAS

NOTA: Para los usuarios en tierras forestales de los EE.UU. y en los estados de California, Maine, Oregon y Washington. Todos los terrenos forestales de los EE.UU. y el estado de California (Códigos de Recursos Públicos 4442 y 4443), Oregon y Washington, requieren por decreto, que ciertos motores de combustión interna que se hagan funcionar en zonas boscosas y/o zonas cubiertas por pastizales, estén equipados con un parachispas, que sean mantenidos en buen estado de funcionamiento o que el motor sea construido, está equipado y sea mantenido para evitar incendios. Consulte los reglamentos pertinentes a esos requisitos con las autoridades estatales o locales. El incumplimiento de esos requisitos puede responsabilizarle o someterle a la imposición de una multa. Esta unidad fue equipada en la fábrica con un parachispas. Si requiere sustitución, hay una Pantalla Parachispas disponible, Pieza #753-04618 al contactar el departamento de servicio.

PROPOSICIÓN 65 DE CALIFORNIA



ADVERTENCIA



LAS EMISIONES DEL MOTOR DE ESTE PRODUCTO CONTIENEN SUBSTANCIAS QUIMICAS QUE EL ESTADO DE CALIFORNIA CONOCE COMO CAUSANTES DE CANCER, DEFECTOS DE NACIMIENTO U OTROS DAÑOS REPRODUCTIVOS.

NORMAS PARA UNA OPERACION SEGURA

Los s'mbolos de seguridad se utilizan para llamar su atenci—n sobre posibles peligros. Los s'mbolos de seguridad y sus explicaciones merecen toda su atenci—n y compresi—n. Los s'mbolos de seguridad no eliminan ningoen peligro por s' mismos. Las instrucciones o advertencias que ofrecen no substituyen las medidas adecuadas de prevenci—n de accidentes.

SIMBOLO SIGNIFICADO



ALERTA DE SEGURIDAD:

Indica peligro, advertencia o precauci—n. Debe prestar atenci—n para evitar sufrir graves lesiones personales. Puede ser utilizado junto con otros s'mbolos o figuras.

NOTA: Le ofrece informaci—n o instrucciones que son esenciales para la operaci—n o mantenimiento del equipo.

Lea el manual del operador y siga todas las advertencias e instrucciones de seguridad. De no hacerlo, el operador y/o los espectadores pueden sufrir graves lesiones.

SI TIENE PREGUNTAS, LLAME AL 1-800-345-8746 EN EE.UU. O AL 1-800-668-1238 en CANADA

SIMBOLO SIGNIFICADO



PELIGRO: El no obedecer una advertencia de seguridad puede conducir a que usted u otras personas sufran graves lesiones. Siga siempre las precauciones de seguridad para reducir el riesgo de incendio, descarga elZctrica y lesiones personales.



ADVERTENCIA: El no seguir una advertencia de seguridad puede conducir a que usted u otras personas sufran lesiones. Siga siempre las precauciones de seguridad para reducir el riesgo de incendio, descarga elZctrica y lesiones personales.



PRECAUCION: El no seguir una advertencia de seguridad puede conducir a da—o patrimonial o a que usted u otras personas sufran lesiones personales. Siga siempre las precauciones de seguridad para reducir el riesgo de incendio, descarga elZctrica y lesiones personales.

¥ IMPORTANTE INFORMACION DE SEGURIDAD ¥

LEA TODAS LAS INSTRUCCIONES

ANTES DE LA OPERACION

- ¥ Lea todas las instrucciones con cuidado. Conozca bien los controles y el uso correcto de la unidad.
- ¥ No opere esta unidad si est† cansado, enfermo, o bajo los efectos del alcohol, drogas o medicamentos.
- ¥ Los ni—os y los adolescentes menores de 15 a—os no deben operar las unidades, excepto por los adolescentes guiados por un adulto.
- ¥ Inspeccione la unidad antes de utilizarla. Cambie las partes da—adas. Verifique si existen pZrdidas de combustible. Asegœrese de que los sujetadores estZn bien colocados y asegurados. Cambie las partes accesorias de corte que estZn quebradas, cascadas o da—adas de cualquier forma. Asegœrese de que el accesorio de corte est† bien instalado y ajustado con firmeza. Asegœrese de que la protecci—n accesoria de corte estZ bien conectada y colocada segœn se recomienda.
- ¥ Use s—lo l'nea de repuesto del fabricante del equipo original de 0.080 pulgadas (2.03 mm) de di†metro. No use nunca l'nea reforzada con metal, alambre, cadena ni sogas, etc. Estas pueden desprenderse y convertirse en un proyectil peligroso.
- ¥ Tenga en cuenta el riesgo de lesiones en la cabeza, manos y pies.
- ¥ Oprima el control del regulador y verifique que regrese autom†ticamente a la posici—n de m'nima. Haga todos los ajustes o reparaciones antes de usar la unidad.

- ¥ Limpie el †rea de corte antes de cada uso. Retire todos los objetos como rocas, vidrios rotos, clavos, alambre o cuerda los cuales pueden ser despedidos o enredarse en el accesorio de corte. Aleje a todos los ni—os, espectadores y animales domZsticos. Mantenga todos los ni—os, espectadores y animales domZsticos a un radio de por lo menos 50 pies (15 m); acœn as' puede existir un riesgo de objetos despedidos contra los espectadores. Los espectadores deben usar protecci—n para sus ojos. Si alguien se le acerca, pare el motor y el accesorio de corte de inmediato.

- ¥ Esta unidad no fue dise—ada para ser usada como cortamalezas. No conecte ni opere esta unidad con ningoen tipo de cuchilla ni accesorio para cortar malezas.

ADVERTENCIAS DE SEGURIDAD PARA LOS RECORTADORES A GASOLINA



ADVERTENCIA: La gasolina es muy inflamable y sus gases pueden explotar si se encienden. Tome las siguientes precauciones:

- ¥ Guarde el combustible en envases que hayan sido dise—ados y aprobados para el almacenamiento de dichos materiales.
- ¥ Antes de llenar el tanque de combustible, apague siempre el motor y espere que se enfr'e. No retire nunca la tapa del tanque de combustible ni cargue combustible mientras el motor estZ caliente. No opere nunca la unidad sin la tapa del combustible colocada firmemente en su lugar. Afloje la tapa del combustible lentamente para disipar la presi—n del tanque.

NORMAS PARA UNA OPERACION SEGURA

- ✘ Mezcle y cargue el combustible en un área exterior bien ventilada donde no haya chispas ni llamas. Quite lentamente la tapa del combustible sólo después de apagar el motor. No fume mientras carga o mezcla el combustible. Limpie de inmediato todo el combustible que se haya derramado.
- ✘ Evite crear una fuente de encendido por combustible derramado. No arranque el motor hasta que se hayan disipado los vapores del combustible.
- ✘ Aleje la unidad a por lo menos 30 pies (9.1 m.) del lugar de carga de combustible antes de arrancar el motor. No fume, mantenga las chispas y las llamas abiertas lejos del área mientras carga el combustible u opera la unidad.

DURANTE LA OPERACION

- ✘ No arranque ni opere la unidad en una sala o edificio cerrado. Los gases de escape de monóxido de carbono pueden ser letales en un área cerrada. Opere esta unidad sólo en un área exterior bien ventilada.
- ✘ Use lentes o gafas de protección que cumplan con las normas ANSI Z87.1, y protección para sus oídos/audiencia mientras opere esta unidad. Use siempre una máscara facial o para protegerse contra el polvo si la operación levanta polvo.
- ✘ Use pantalones largos y gruesos, botas, guantes y camisa de manga larga. No use ropa holgada, alhajas, pantalones cortos, sandalias ni esté descalzo. Sostenga el cabello sobre el nivel de los hombros.
- ✘ La protección accesorio de corte debe estar siempre colocada en su lugar mientras opere la unidad. No opere la unidad con las dos líneas de corte extendidas, y la línea correcta instalada. No extienda la línea de corte más allá de la longitud de la protección.
- ✘ Esta unidad no tiene embrague. El accesorio de corte continúa girando cuando el motor está en marcha en vacío. Para evitar lesiones, haga que un técnico de servicio autorizado ajuste la unidad.
- ✘ Ajuste la manija en D a su tamaño de modo que le brinde el mejor agarre.
- ✘ Asegúrese de que el accesorio de corte no esté en contacto con ningún objeto antes de arrancar la unidad.
- ✘ Use la unidad únicamente con la luz del día o con buena luz artificial.
- ✘ Evite arrancar la unidad accidentalmente. Colóquese en posición de inicio siempre que tire de la cuerda de arranque. El operador y la unidad deben estar en una posición estable al comenzar. Lea las *instrucciones de Arranque y Apagado*.
- ✘ Use la herramienta adecuada. No use esta unidad para ninguna tarea para la cual no ha sido diseñada.
- ✘ No se estire demasiado. Mantenga siempre una posición y equilibrio adecuados.
- ✘ Sostenga siempre la unidad con ambas manos mientras está en funcionamiento. Sostenga con firmeza tanto el mango como la manija auxiliar.

- ✘ Mantenga las manos, la cara y los pies lejos de todas las partes móviles. No intente tocar ni detener el accesorio de corte mientras gira.
- ✘ No toque el motor, el bastidor del engranaje ni el silenciador. Estas partes se calientan mucho con la operación. Luego de apagar la unidad, permanecen calientes durante un tiempo breve.
- ✘ No opere el motor a una velocidad mayor que la necesaria para cortar, recortar o recortar los bordes. No haga funcionar el motor a alta velocidad mientras no está cortando.
- ✘ Apague siempre el motor cuando demore el corte o mientras camina entre zonas de corte.
- ✘ Si golpea o se enreda con algún objeto extraño, apague el motor de inmediato y verifique si hay daños. Repare todos los daños antes de volver a intentar operar la unidad. No opere la unidad si tiene piezas flojas o dañadas.
- ✘ Apague el motor para realizar todo el mantenimiento, reparaciones o cambio del accesorio de corte u otros accesorios.
- ✘ Use sólo piezas y accesorios de repuesto del fabricante del equipo original para esta unidad. Puede obtenerlos en su proveedor de servicio autorizado. El uso de piezas y accesorios que no son equipo original; puede causar graves lesiones al operador o el daño de su unidad, y la cancelación de su garantía.
- ✘ Mantenga la unidad libre de vegetación y otros materiales. Pueden alojarse entre el accesorio de corte y la protección.
- ✘ Para reducir el riesgo de incendio, cambie los silenciadores y amortiguadores de chispas defectuosos, mantenga el motor y el silenciador libre de pasto, hojas, grasa excesiva o acumulaciones de carbono.

OTRAS ADVERTENCIAS DE SEGURIDAD

- ✘ No guarde nunca la unidad con combustible en el tanque en un edificio donde los gases puedan llegar a una llama abierta o a una chispa.
- ✘ Espere que el motor se enfríe antes de guardar o transportar la unidad. Asegúrese de que la unidad esté segura al transportarla.
- ✘ Guarde la unidad bajo llave en un lugar adecuado y seco para evitar que sea usada por personas no autorizadas y se dañe, fuera del alcance de los niños.
- ✘ Nunca moje ni rocíe la unidad con agua ni con ningún otro líquido. Mantenga las manijas secas, limpias y sin residuos. Limpie la unidad luego de cada uso, lea las instrucciones de *Limpieza y Almacenamiento*.
- ✘ Guarde estas instrucciones. Conséltelas con frecuencia y utilícelas para enseñar a otros usuarios. Si le presta esta unidad a alguien, prístele también estas instrucciones.

**CONSERVE ESTAS
INSTRUCCIONES**

NORMAS PARA UNA OPERACION SEGURA

SIMBOLOS DE SEGURIDAD E INTERNACIONALES

Este manual del operador describe los s'mbolos y figuras de seguridad e internacionales que pueden aparecer en este producto. Lea el manual del operador para obtener informaci—n completa acerca de la seguridad, ensamble, operaci—n y mantenimiento y reparaci—n.

SIMBOLO	SIGNIFICADO	SIMBOLO	SIGNIFICADO
	<p>⚠ SIMBOLO DE ALERTA DE SEGURIDAD</p> <p>Indica peligro, advertencia o precauci—n. Puede ser utilizado junto con otros s'mbolos o figuras.</p>		<p>⚠ LOS OBJETOS DESPEDIDOS Y LA CUCHILLA ROTATIVA PUEDEN CAUSAR GRAVES LESIONES</p> <p>ADVERTENCIA: No opere esta unidad si la protecci—n pl'stica de l'nea no est' colocada en su lugar. Mant'ngase alejado del accesorio de corte giratorio.</p>
	<p>⚠ ADVERTENCIA - LEA EL MANUAL DEL OPERADOR</p> <p>Lea el manual del operador y siga todas las advertencias e instrucciones de seguridad. De no hacerlo, el operador y/o los espectadores pueden sufrir graves lesiones.</p>		<p>⚠ CONTROL DE ENCENDIDO Y APAGADO</p> <p>ENCENDIDO /ARRANQUE /MARCHA</p>
	<p>⚠ USE PROTECCION OCULAR Y AUDITIVA</p> <p>ADVERTENCIA : Los objetos arrojados por la unidad y el ruido fuerte pueden causar graves lesiones oculares y p'rdida auditiva. Utilice protecci—n ocular que cumpla con las normas ANSI Z87.1 y protecci—n auditiva cuando opere esta unidad. Use una careta completa cuando la necesite.</p>		<p>⚠ CONTROL DE ENCENDIDO Y APAGADO</p> <p>APAGADO o PARADO</p>
	<p>⚠ MANTENGA ALEJADOS A LOS ESPECTADORES</p> <p>ADVERTENCIA : Mantenga a todos los espectadores, en especial a ni—os y animales dom'zticos a por lo menos 50 pies (15 m.) del 'rea de corte.</p>		<p>⚠ ADVERTENCIA DE SUPERFICIE CALIENTE</p> <p>No toque un silenciador ni un cilindro caliente. Puede quemarse. Estas partes se calientan mucho con el uso. Luego de apagarse permanecen calientes durante un corto tiempo.</p>
	<p>⚠ COMBUSTIBLE SIN PLOMO</p> <p>Use siempre combustible limpio, nuevo y sin plomo.</p>		<p>⚠ CONTROL DEL OBTURADOR</p> <p>1 ⚠ Posici—n de OBTURACI'N COMPLETA</p> <p>2 ⚠ Posici—n de OBTURACI'N PARCIAL</p> <p>3 ⚠ Posici—n de MARCHA</p>
			<p>⚠ INDICADOR DE ACEITE</p> <p>Consulte el manual del operador para obtener informaci—n acerca del tipo correcto de aceite.</p>

NORMAS PARA UNA OPERACION SEGURA

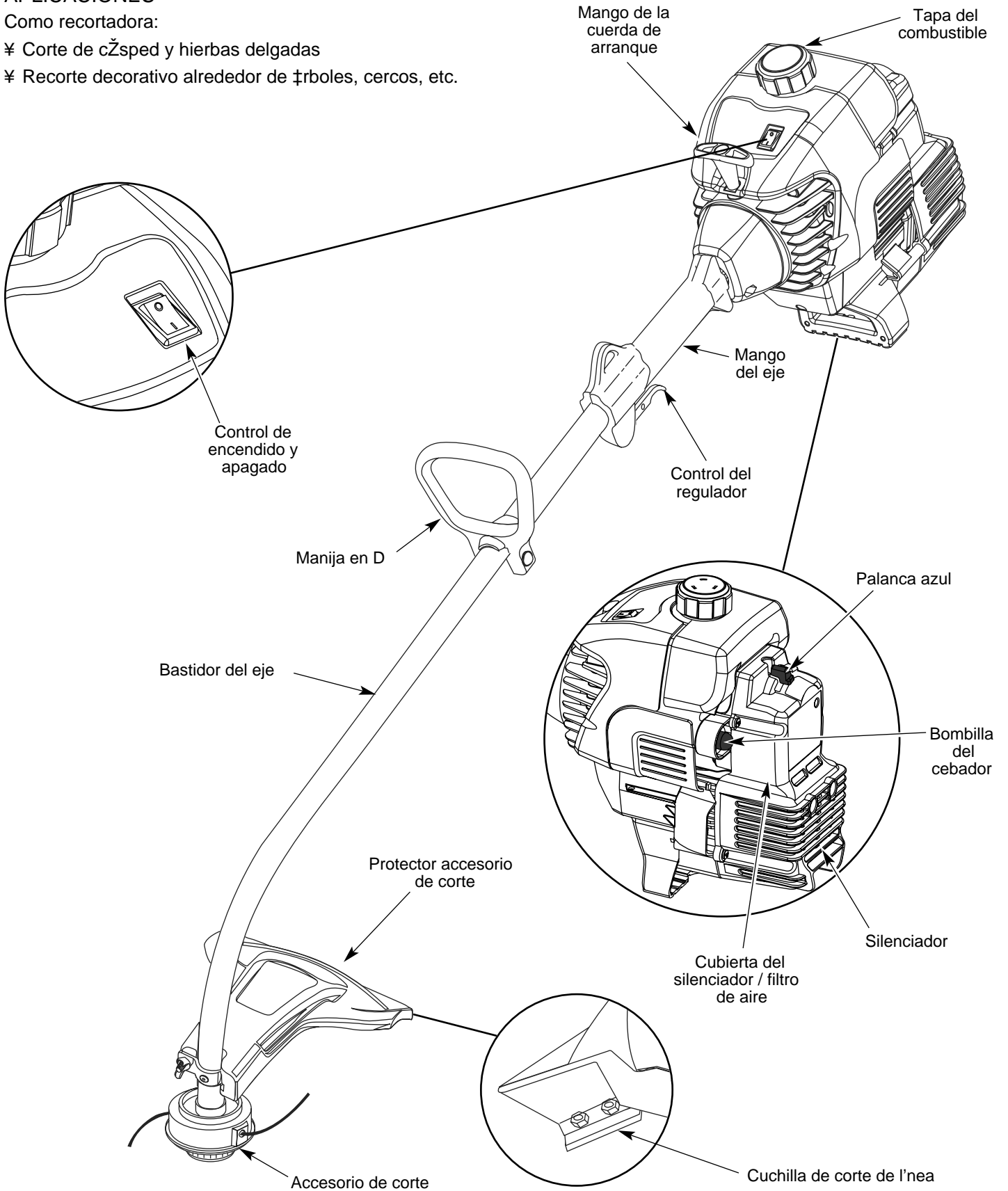
CONOZCA SU UNIDAD

APLICACIONES

Como recortadora:

¥ Corte de cŁsped y hierbas delgadas

¥ Recorte decorativo alrededor de rboles, cercos, etc.



INSTRUCCIONES DE ENSAMBLE

INSTALACIÓN Y AJUSTE DE LA MANIJA EN D

1. Empuje la manija en D hacia abajo sobre el bastidor del eje de modo que la manija se incline hacia adelante del mango del eje (Fig. 1). El orificio del perno cuadrado de la manija queda hacia la derecha.
2. Coloque el perno del hombro en el orificio cuadrado en la manija y empújelo. Ponga la arandela en el perno al lado izquierdo de la manija y enrosque la tuerca de mariposa en el perno. No la apriete hasta que ajuste el mango.
3. Gire la manija en D para colocar el mango sobre la parte superior del bastidor del eje. Colóquela a por lo menos 6 pulgadas (15.24 cm) del extremo del mango del eje.

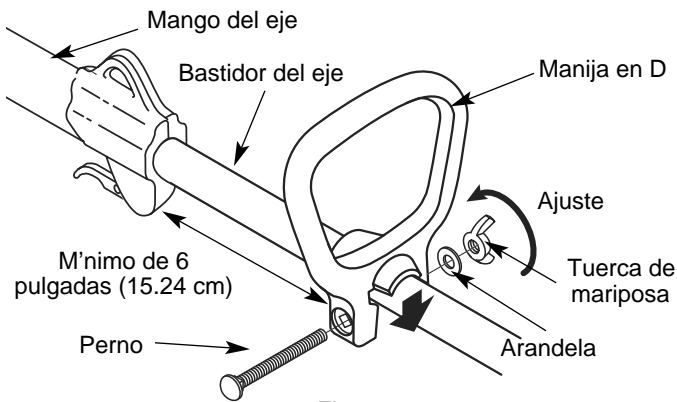


Fig. 1

4. Mientras sostiene la unidad en posición de operación (Fig. 2), coloque la manija en D en el lugar que le brinde el mejor agarre.
5. Ajuste la tuerca de mariposa hasta que la manija en D quede firme.



Fig. 2

INSTALACION DEL PROTECTOR ACCESORIO DE CORTE

Siga las siguientes instrucciones si el protector accesorio de corte no está instalado en su unidad.



ADVERTENCIA: No opere nunca la recortadora sin el protector accesorio de corte colocado en su lugar para evitar graves lesiones personales.

1. Coloque el protector del accesorio de corte en el bastidor del eje. Cerciórese de que el soporte de montaje de la guardera se deslice en la ranura situada en el borde del protector de corte. Gire el protector en sentido antihorario hasta que quede en su lugar (Fig. 3). Los orificios en el soporte de montaje de la guardera y el protector del accesorio de corte se alinearán.

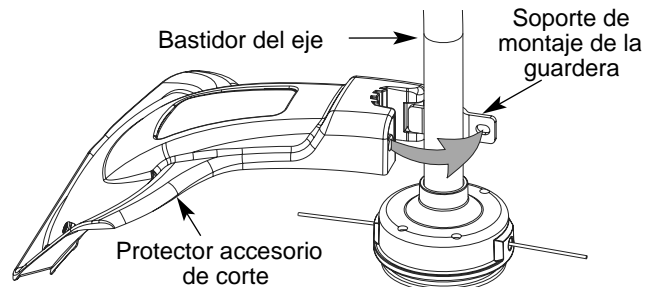


Fig. 3

2. Desde el interior del protector del accesorio de corte, empuje el perno cuadrado a través del orificio hasta que el extremo con roscas sobresalga a través del soporte de montaje de la guardera (Fig. 4).

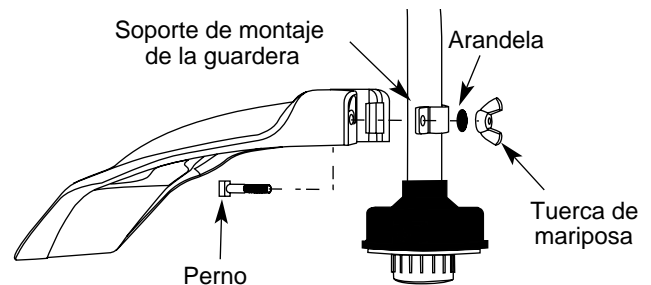
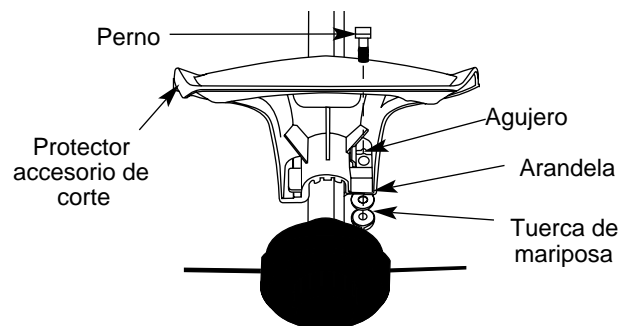


Fig. 4

3. Ponga la arandela en el perno, y después atornille la tuerca de mariposa y aprétela. La Figura 5 muestra el proceso de instalación desde un ángulo por debajo de la unidad.



Vista desde abajo del accesorio de corte y la protección

Fig. 5

INFORMACION DEL ACEITE Y DEL COMBUSTIBLE

INSTRUCCIONES PARA MEZCLAR EL ACEITE Y EL COMBUSTIBLE

El combustible viejo o mal mezclado son los motivos principales del mal funcionamiento de la unidad. Asegúrese de usar combustible nuevo, limpio y sin plomo. Siga las instrucciones en detalle para mezclar correctamente el aceite y el combustible.

Definición de los combustibles de mezcla

Los combustibles actuales con frecuencia son una mezcla de gasolina y oxigenantes como por ejemplo etanol, metanol o MTBE (Zter). El combustible mezclado con alcohol absorbe agua. Una cantidad tan pequeña como el 1% de agua en el combustible puede causar la separación del combustible y el aceite. Forma ácidos cuando está almacenado. Cuando use combustible mezclado con alcohol, use combustible nuevo (de menos de 60 días).

Uso de combustibles de mezcla


Si usted opta por usar un combustible de mezcla o si su uso es inevitable, tome las precauciones recomendadas.

- ✘ Use siempre una mezcla fresca de combustible según lo indica su manual del operador.
- ✘ Agite siempre la mezcla de combustible antes de cargarlo en la unidad.
- ✘ Drene el tanque y haga funcionar el motor en seco antes de guardar la unidad.

Uso de aditivos en el combustible



La botella de aceite de 2 ciclos que vino con su unidad contiene un aditivo en el combustible que ayudará a inhibir la corrosión y a reducir la formación de depósitos de goma. Se recomienda que use sólo el aceite de 2 ciclos con esta unidad.

Si es inevitable, use un buen aceite de 2 ciclos elaborado para motores enfriados por aire junto con un aditivo para el combustible como por ejemplo el estabilizador de gasolina STA-BIL™ o similar. Agregue 23 mL (0,8 onzas) de aditivo de combustible por galón de combustible de acuerdo con las instrucciones del envase. NUNCA agregue aditivos directamente en el tanque de combustible de la unidad.


	PRECAUCION: Para que el motor funcione correctamente y con la mayor fiabilidad, preste mucha atención a las instrucciones de mezcla de aceite y combustible del envase de aceite de 2 ciclos. El uso de combustible mezclado en forma incorrecta puede dañar seriamente el motor.
---	--


Mezcle bien la proporción correcta de aceite para motor de 2 ciclos y gasolina sin plomo en una lata de combustible por separado. Use una proporción de 40:1 de combustible y aceite. No los mezcle directamente en el tanque de combustible de la unidad. Consulte las proporciones específicas de mezcla de gasolina y aceite en la tabla siguiente.


NOTA: 3,8 litros (un galón) de gasolina sin plomo mezclada con una botella de 95 mL (3,2 onzas) de aceite de 2 ciclos es una proporción de 40:1 de combustible y aceite.

	+	
GASOLINA SIN PLOMO		ACEITE DE 2 CICLOS
3,8 LITROS (1 GALON de EE.UU.)		95 mL (3,2 ONZAS FLUIDAS)
1 LITRO		25 mL

PROPORCION DE LA MEZCLA = 40 : 1

	ADVERTENCIA: La gasolina es muy inflamable. Los gases pueden explotar si se encienden. Apague siempre el motor y espere que se enfríe antes de cargar el tanque de combustible. No fume mientras llena el tanque. Mantenga las chispas y las llamas lejos del área.
---	--

	ADVERTENCIA: Saque la tapa del combustible lentamente para evitar lesionarse con el rociado del combustible. No opere nunca la unidad sin la tapa del combustible firmemente colocada en su lugar.
---	---

	ADVERTENCIA: Cargue el combustible en un área exterior limpia y bien ventilada. Limpie de inmediato todo combustible que se haya derramado. Evite crear una fuente de encendido con el combustible derramado. No arranque el motor hasta que se hayan evaporado los gases del combustible.
---	---

NOTA: Elimine la mezcla vieja de aceite y combustible de acuerdo con los reglamentos federales, estatales y locales.

INSTRUCCIONES DE ARRANQUE Y APAGADO



ADVERTENCIA: Use esta unidad s—lo en un ¶rea exterior bien ventilada. Los gases de escape de mon—xido de carbono pueden ser letales en un ¶rea cerrada.



ADVERTENCIA: Evite los arranques accidentales. Col—quese en posici—n de inicio cuando tire de la cuerda de arranque (Fig. 8). El operador y la unidad deben estar en una posici—n estable al arrancar la unidad para evitar graves lesiones personales.

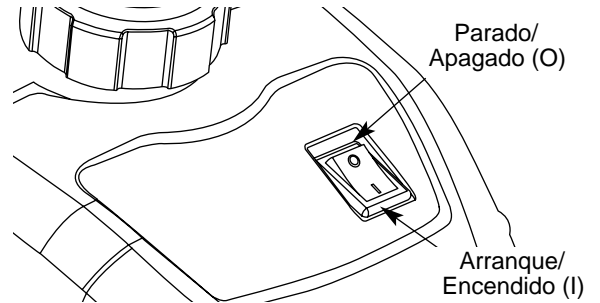


Fig. 6

INSTRUCCIONES DE ARRANQUE

1. Mezcle la gasolina con el aceite. Llene el tanque de combustible con la mezcla de combustible/aceite. Vea las Instrucciones para Mezclar el Aceite y el Combustible.
2. Coloque el control de encendido y apagado en posici—n de ENCENDIDO (I) (Fig. 6).
3. Oprima completamente el cebador y su¶ltelo 10 veces. H¶galo lentamente. Se deber¶ ver un poco de combustible en el cebador y en las tuber¶as de alimentaci—n de combustible (Fig. 7). Si no puede ver el combustible en el cebador, opr¶malo y su¶ltelo tantas veces como sea necesario hasta que vea combustible en el mismo.
4. Coloque la palanca azul en Posici—n 1 (Fig. 7).
5. Soporte en la posici—n de arranque (Fig. 8) y apriete el control de aceleraci—n. Hale el cord—n de arranque con un movimiento controlado y uniforme hasta 5 veces.
6. Coloque la palanca azul en Posici—n 2.
7. Mientras oprime el control del regulador, Hale el cord—n de arranque con un movimiento controlado y uniforme para arrancar el motor.

8. Mantenga oprimido el regulador y deje que el motor se caliente durante 15 a 30 segundos.

NOTA: A temperaturas m¶s fr¶as, el motor puede tardar m¶s en calentarse y en alcanzar la velocidad m¶xima de funcionamiento.

NOTA: La unidad se ha calentado debidamente cuando el motor acelera sin titubear.

9. Coloque la palanca azul en Posici—n 3 La unidad est¶ lista para usarse.

SI... El motor titubea, regrese la palanca del obturador a la Posici—n 2 (Fig. 7) y siga calent¶ndolo.

SI... El motor no arranca, regrese al paso 3.

SI... El motor no arranca despu¶zs de varios intentos, coloque la palanca azul en la Posici—n 3 y oprima el control del regulador. Hale la cuerda del arranque de 3 a 8 veces. El motor deber¶ arrancar. Si no sucede as¶, repita el procedimiento.

SI SE CALIENTA... El motor ya est¶ caliente, cerci—rese de que el control de Encendido/Apagado [On/Off] est¶ en la posici—n de Encendido [ON] y arranque la unidad con la palanca azul en la Posici—n 2. Despu¶zs de que la unidad arranque, mueva la palanca azul a la Posici—n 3.

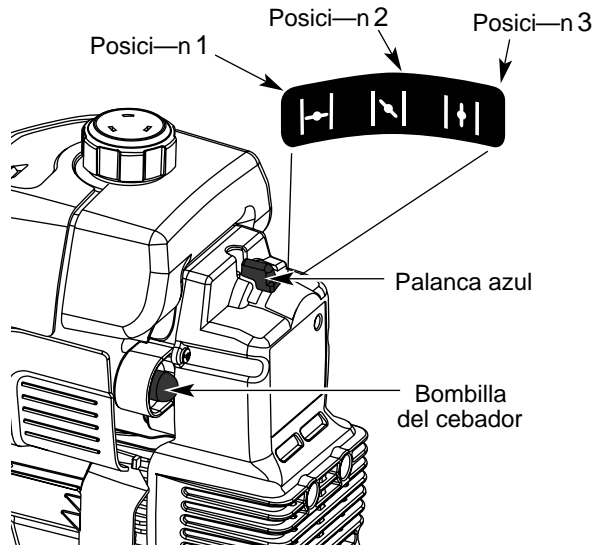


Fig. 7



Fig. 8

INSTRUCCIONES DE APAGADO

1. Saque la mano del control del regulador. Deje enfriar el motor en marcha en vac¶o.
2. Coloque el control de encendido y apagado en posici—n de APAGADO (O).

INSTRUCCIONES DE OPERACION

COMO SOSTENER EL RECORTADOR



ADVERTENCIA: Use siempre protecci—n para sus ojos, audici—n, pies y cuerpo para reducir el riesgo de una lesi—n al operar esta unidad.

Antes de operar esta unidad, p—rese en posici—n de operaci—n (Fig. 9). Verifique lo siguiente:

- ¥ El operador tiene protecci—n ocular y ropa adecuada.
- ¥ El brazo derecho est— levemente doblado, y la mano est— sosteniendo el mango del eje.
- ¥ El brazo izquierdo est— recto y la mano sostiene la manija en D.
- ¥ La unidad est— debajo del nivel de la cintura.
- ¥ El accesorio de corte est— paralelo al suelo y hace f—cil contacto con la vegetaci—n que va a ser cortada sin que el operador tenga que inclinarse.

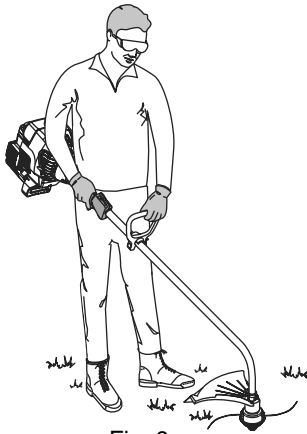


Fig. 9

AJUSTE DE LA LONGITUD DE LA LINEA DE CORTE

El accesorio de corte Bump Head^a le permite soltar l—nea de corte sin apagar el motor. Para soltar m—s l—nea, golpee suavemente el accesorio de corte contra el suelo (Fig. 10) mientras opera el recortador a alta velocidad.

NOTA: Mantenga siempre la l—nea de corte completamente extendida. Es m—s dif—cil soltar l—nea al acortarse la l—nea de corte.

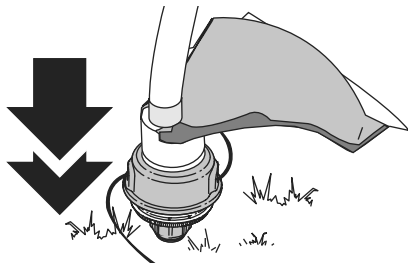


Fig. 10

Cada vez que se golpea la cabeza, se suelta alrededor de 1 pulgada (25.4 mm) de l—nea de corte. La cuchilla en la protecci—n del accesorio de corte detendr— la l—nea en la longitud correcta si se suelta demasiada l—nea.

Para obtener mejores resultados, golpee la perilla percuisva sobre terreno limpio o tierra dura. Si intenta soltar la l—nea sobre el c—sped alto, el motor podr— ahogarse. Mantenga siempre la l—nea de corte completamente extendida. Es m—s dif—cil soltar l—nea al acortarse la l—nea de corte.

NOTA: No apoye la perilla percuisva sobre el suelo mientras la unidad est— en funcionamiento.



PRECAUCION: No saque ni altere el ensamble de la cuchilla limitadora de l—nea. La longitud excesiva de la l—nea causar— el recalentamiento del motor. Esto puede causar graves lesiones personales o da—o a la unidad.

La l—nea puede cortarse por:

- ¥ Enredarse con un objeto extra—o
- ¥ Fatiga normal de la l—nea
- ¥ Intentar cortar hierbas gruesas y le—osas
- ¥ Forzar la l—nea en objetos como paredes o postes de cercos

CONSEJOS PARA OBTENER MEJORES RESULTADOS AL RECORTAR

- ¥ El —ngulo correcto para ubicar el accesorio de corte es paralelo al suelo.
- ¥ No fuerce el accesorio de corte. Permita que la punta de la l—nea realice el corte (en especial a lo largo de paredes). Si corta con m—s de la punta reducir— la eficacia del corte y puede sobrecargar el motor.
- ¥ Corte c—sped de m—s de 8 pulgadas (200 mm) trabajando de arriba hacia abajo en peque—os incrementos para evitar el desgaste prematuro de la l—nea y el arrastre del motor.
- ¥ Corte de derecha a izquierda siempre que sea posible. Cortar hacia la izquierda mejora la eficiencia de la unidad. Los recortes salen arrojados en sentido contrario al operador.
- ¥ Mueva lentamente el recortador dentro y fuera del —rea de corte a la altura deseada. Realice movimientos ya sea de adelante hacia atr—s y viceversa, o de lado a lado. El corte en longitudes m—s cortas produce mejores resultados.
- ¥ Recorte —nicamente cuando el pasto y las hierbas est—n secas.
- ¥ La vida de su l—nea de corte depende de:
 - Seguir todas las t—cnicas de corte indicadas anteriormente
 - El tipo de vegetaci—n que corte
 - El lugar donde se corta

Por ejemplo, la l—nea se desgastar— m—s r—pido cuando corte contra un muro que cuando corte alrededor de un —rbol.

RECORTE DECORATIVO

El recorte decorativo se realiza eliminando toda la vegetaci—n de alrededor de los —rboles, postes, cercos, etc. Gire toda la unidad a modo de que el accesorio de corte se ubique a un —ngulo de 30° con el suelo (Fig. 11).

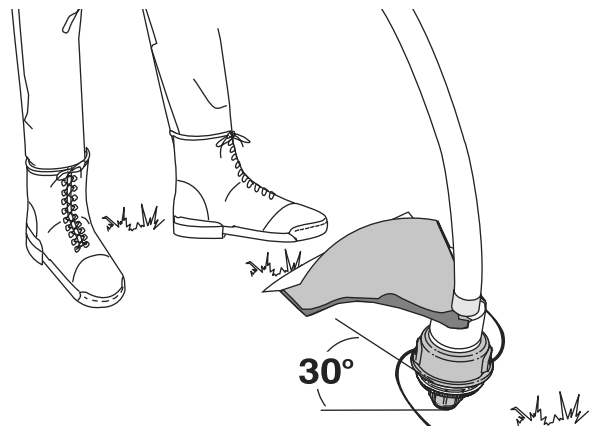


Fig. 11

INSTRUCCIONES DE MANTENIMIENTO Y REPARACION

NOTA: Algunos procedimientos de mantenimiento pueden requerir el uso de herramientas o habilidades especiales. Si no está seguro acerca de estos procedimientos, lleve su unidad a un establecimiento de reparación, persona o distribuidor de servicio autorizado que arregle motores para uso fuera de la carretera.

NOTA: El mantenimiento, la sustitución o arreglo de dispositivos para el control de emisiones y sistemas pueden ser hechos por cualquier establecimiento de reparación, persona o proveedor de servicio autorizado que arregle motores para uso fuera de la carretera.

PROGRAMA DE MANTENIMIENTO

Estos procedimientos requeridos para el mantenimiento deben ser realizados con la frecuencia indicada en la tabla. Deben ser incluidos como parte de toda puesta a punto de cada temporada.



ADVERTENCIA: Para evitar lesiones personales graves, nunca realice mantenimiento ni reparaciones con la unidad funcionando. Realice siempre el mantenimiento y las reparaciones con la unidad fría. Desconecte el cable de la bujía de encendido para cerciorarse de que la unidad no arranque.

A fin de garantizar el máximo desempeño del motor, puede ser necesario inspeccionar la lumbrera de escape del motor después de 50 horas de funcionamiento. Si usted observa pérdida de RPM, funcionamiento deficiente o falta general de aceleración, es posible que sea necesario realizar este mantenimiento. Si usted considera que su motor necesita esta inspección, haga que un establecimiento de reparación, persona o proveedor de servicio autorizado que arregle motores para uso fuera de la carretera le preste el servicio. NO intente realizar este proceso usted mismo ya que puede ocasionar daños al motor producto de los contaminantes que se encuentran en el proceso de limpieza de la lumbrera.

FRECUENCIA	MANTENIMIENTO REQUERIDO	CONSULTE
Antes de arrancar el motor	Llene el tanque de combustible con la mezcla correcta de aceite y combustible	Página E8
Cada 10 horas	Limpie y vuelva a aceitar el filtro de aire	Página E13
Cada 25 horas	Examine el parachispas y limpie Inspeccione la condición y la separación de la bujía de encendido	Página E14 Página E15
Cada 50 horas	Inspeccione si la lumbrera de escape y la rejilla del parachispas están tapadas u obstruidas para garantizar los niveles máximos de rendimiento	Página E14

INSTALACION DE LA LINEA

Esta sección cubre la instalación de la línea SplitLine^a y de la línea individual regular. Use siempre la línea de repuesto del fabricante del equipo original de 0.080 pulg. (2.03 mm). Una línea que no sea la



ADVERTENCIA: No use nunca línea reforzada con metal, alambre, cadena ni soga, etc. Estos elementos pueden desprenderse y convertirse en un proyectil peligroso.

indicada puede causar que el motor se recaliente o falle. Existen dos métodos para cambiar la línea de corte.

¥ Bobine el carrete interior con línea nueva.

¥ Instale un carrete interior prebobinado
Bobinado del carrete interior existente

1. Sostenga la bobina exterior con una mano y desenrosque la Bump Knob^a en sentido antihorario (Fig. 12). Inspeccione el perno de adentro de la perilla percusiva para verificar que se mueva con libertad.

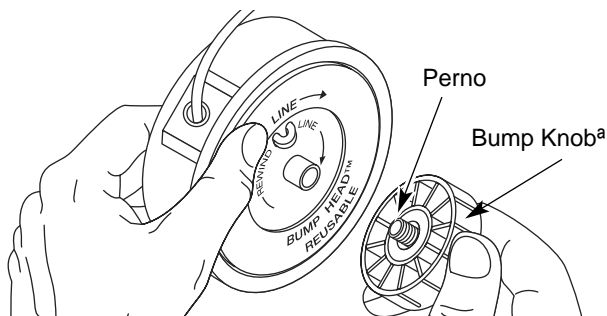


Fig. 12

2. Cambie la perilla percusiva si está dañada.
3. Saque el carrete interior de la bobina exterior (Fig. 13).
4. Saque el resorte del carrete interior (Fig. 13).
5. Use un paño limpio para limpiar el carrete interior, el resorte, el eje y la bobina exterior.
6. Verifique el desgaste de los dientes de posición del carrete interior y bobina exterior (Fig. 14). Si es necesario, saque la rebaba o cambie el carrete y la bobina.

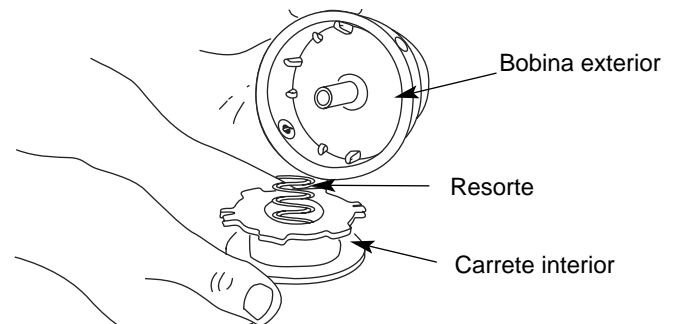


Fig. 13

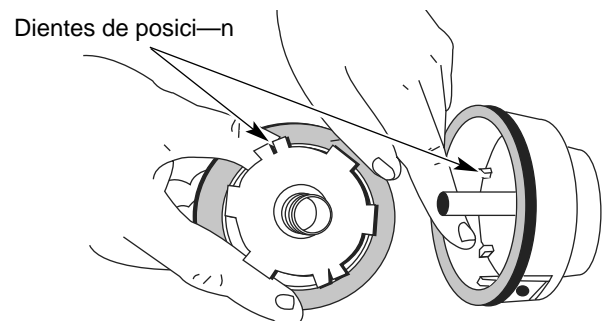


Fig. 14

INSTRUCCIONES DE MANTENIMIENTO Y REPARACION

Para usar SiLO con l'nea individual

Para usar con SplitLine^a o l'nea individual

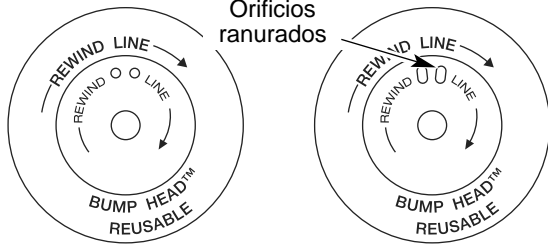


Fig. 15

NOTA: La l'nea SplitLine^a s—lo puede usarse con el carrete interior con los orificios ranurados. La l'nea individual puede usarse en cualquier tipo de carrete interior. Use la Figura 15 para identificar el carrete interior que usted tiene.

NOTA: Use siempre la longitud correcta de l'nea cuando instale la l'nea de corte en la unidad. La l'nea puede no soltarse en forma adecuada si es demasiado larga.

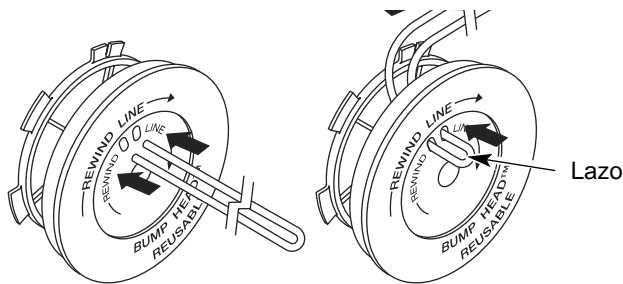


Fig. 16

Instalaci—n de la l'nea individual

Lea la instalaci—n de la l'nea SplitLine[™] en el paso 8

6. Tome aproximadamente 20 pies (6 m) de nueva l'nea de corte, enl zcela en dos longitudes iguales. Inserte cada extremo de la l'nea a trav s de uno de los dos orificios del carrete interior (Fig. 16). Pase la l'nea a trav s del carrete interior de modo que el lazo sea lo m s peque o posible.
7. Bobine las l'neas en capas parejas y ajustadas sobre el carrete (Fig. 17). Bobine la l'nea en la direcci—n indicada en el carrete interior. Coloque su dedo  ndice entre las dos l'neas para evitar que se superpongan. No superponga los extremos de la l'nea. Proceda al paso 11.

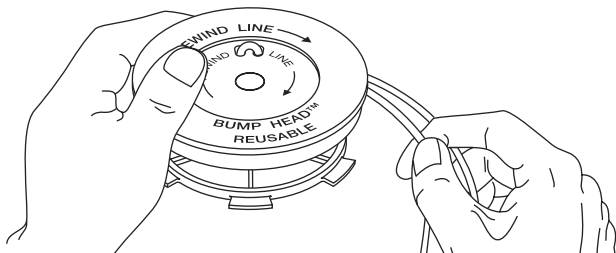


Fig. 17

Instalaci—n de la l'nea SplitLine^a

8. Tome aproximadamente 10 pies (3 m) de nueva l'nea de corte. Inserte un extremo de la l'nea a trav s de uno de los orificios del carrete interior (Fig. 18). Pase la l'nea a trav s del carrete interior hasta que queden s—lo 4 pulgadas fuera.

9. Inserte el extremo de la l'nea en el orificio abierto del carrete interior y tire de la l'nea en forma ajustada a fin de que el lazo sea lo m s peque o posible (Fig. 18).

10. Antes de bobinar, separe la l'nea alrededor de 6 pulgadas.

11. Bobine la l'nea en capas parejas y ajustadas en la direcci—n indicada en el carrete interior.

NOTA: Si no bobina la l'nea en la direcci—n indicada, el accesorio de corte no funcionar  en forma correcta.

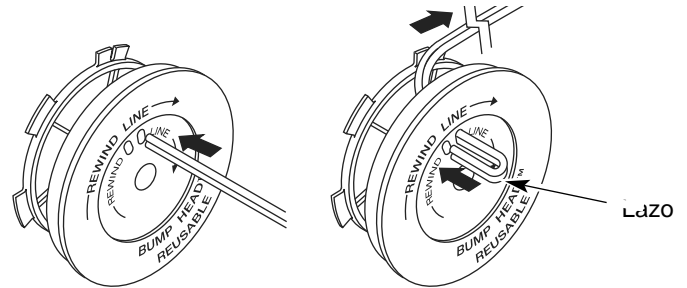


Fig. 18

12. Inserte los extremos de la l'nea en las dos ranuras de fijaci—n (Fig. 19).

13. Inserte los extremos de la l'nea a trav s de los ojales de la bobina exterior y coloque el carrete interior con el resorte dentro de la bobina exterior (Fig. 20). Empuje el carrete interior y la bobina exterior entre s . Mientras sostiene el carrete interior y la bobina exterior, tome los extremos y tire con firmeza para soltar la l'nea de las ranuras de fijaci—n de la bobina.

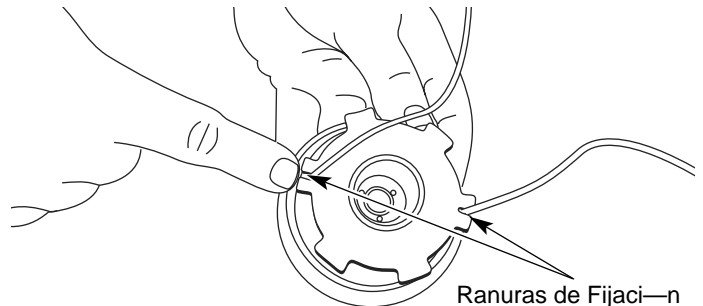


Fig. 19

NOTA: El resorte debe estar ensamblado en el carrete interior antes de volver a ensamblar el accesorio de corte.

14. Sostenga el carrete interior en su lugar y coloque e instale la perilla percusiva enrosc ndola en sentido horario. Ajuste bien.

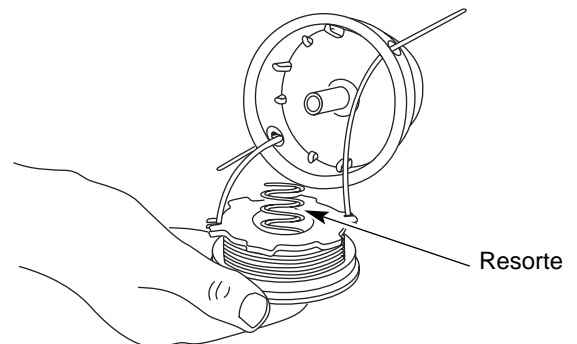


Fig. 20

INSTRUCCIONES DE MANTENIMIENTO Y REPARACION

INSTALACIÓN DE UN CARRETE PREBOBINADO

1. Sostenga la bobina exterior con una mano y desenrosque la perilla percusiva en sentido antihorario (Fig. 12). Inspeccione el perno dentro del botón de tope para verificar que se mueva con libertad. Cambie el botón de tope si está dañado.
 2. Saque el carrete interior viejo de la bobina exterior (Fig. 13).
 3. Saque el resorte del carrete interior viejo (Fig. 13).
 4. Coloque el resorte en el carrete interior nuevo.
- NOTA: El resorte debe estar ensamblado en el carrete interior antes de volver a instalar el accesorio de corte.
5. Inserte los extremos de la l'nea en los ojalillos de la bobina exterior (Fig. 20).
 6. Coloque el nuevo carrete interior dentro de la bobina exterior. Empuje el carrete interior y la bobina exterior entre sí. Mientras sostiene el carrete interior y la bobina exterior, tome los extremos y tire con firmeza para soltar la l'nea de las ranuras de retención de la bobina.
 7. Sostenga el carrete interior en su lugar e instale el botón de tope girándolo en sentido horario. Ajuste bien.

MANTENIMIENTO DEL FILTRO DE AIRE

Remoción de la cubierta del silenciador/filtro de aire



ADVERTENCIA: Para evitar graves lesiones personales, apague siempre su recortador y espere que se enfríe antes de limpiarlo o realizar todo tipo de mantenimiento.

1. Coloque la palanca azul en Posición 2.

NOTA: La palanca azul debe estar en Posición 2 (Fig. 21) para sacar la cubierta del silenciador / filtro de aire.

2. Saque los cuatro (4) tornillos que sostienen la cubierta del silenciador / filtro de aire (Fig. 21). Use un destornillador de broca Torx N₁ T20.
3. Saque la cubierta del motor. No la fuerce.

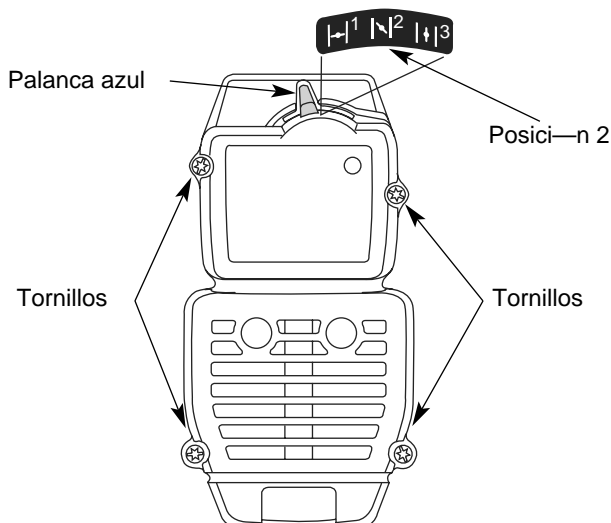


Fig. 21

Limpieza del Filtro de Aire

Limpie y vuelva a aceitar el filtro de aire cada 10 horas de operación. Es una de las partes cuyo mantenimiento es importante. No mantener debidamente su filtro de aire puede resultar en funcionamiento inadecuado o puede causar daño permanente a su motor.

1. Saque la cubierta del silenciador / filtro de aire. Lea la sección de *Remoción de la cubierta del silenciador / filtro de aire*.
2. Gire la tapa y ubique el filtro de aire adentro. Saque el filtro de aire de adentro de la tapa del filtro de aire / silenciador (Fig. 22)
3. Lave el filtro con agua y detergente (Fig. 23). Enjuague bien el filtro. Escurra el exceso de agua. Déjelo secar por completo.
4. Aplique suficiente aceite limpio SAE 30 para recubrir ligeramente el filtro (Fig. 24).
5. Apriete el filtro para esparcir y retirar el exceso de aceite (Fig. 25).

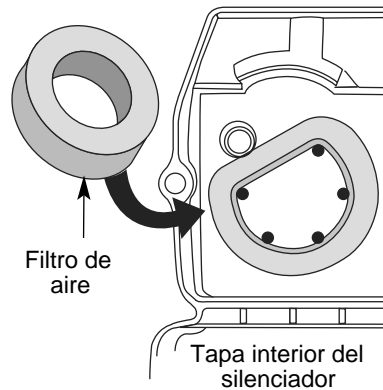


Fig. 22

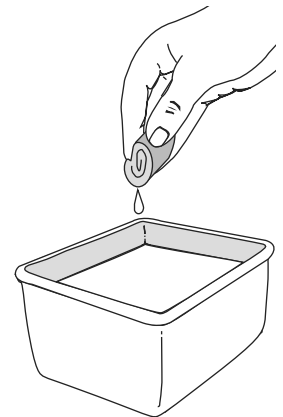


Fig. 23

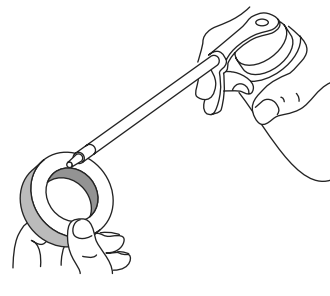


Fig. 24

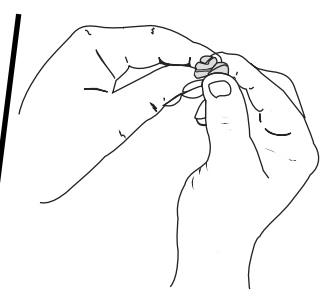


Fig. 25

6. Cambie el filtro de aire dentro de la tapa del filtro de aire / silenciador (Fig. 22).

NOTA: Si opera la unidad sin el filtro de aire y el ensamble de la cubierta del silenciador / filtro de aire, su garantía quedará ANULADA.

Reinstalación de la cubierta del silenciador / filtro de aire

1. Coloque la cubierta del silenciador / filtro de aire sobre la parte posterior del carburador y del silenciador. Alinee los orificios de los tornillos.
2. Inserte los cuatro (4) tornillos en los orificios de la cubierta del silenciador / filtro de aire (Fig. 21) y ajústelos. No los ajuste demasiado.

INSTRUCCIONES DE MANTENIMIENTO Y REPARACION

MANTENIMIENTO DEL PARACHISPAS

1. Quite el filtro de aire / tapa del silenciador. Ver *Remoción de la Tapa del Filtro / Silenciador*.
2. Localice el silenciador, pero no lo quite. Busque el tornillo en la parte inferior del silenciador (Fig. 26). Quite el tornillo usando una llave torx No. 20 o un destornillador plano.
3. Levante cuidadosamente haciendo palanca el lado izquierdo de la cubierta del parachispas. Dos lengüetas actúan como bisagras en el lado derecho de la cubierta. Abra con un golpe rápido la cubierta del parachispas, como si fuera una puerta, y después hale las lengüetas para sacarlas de las ranuras del silenciador.
4. Con un destornillador de punta plana, levante cuidadosamente haciendo palanca la rejilla del parachispas, sacándola del interior de la cubierta del parachispas.
5. Limpie la rejilla del parachispas con un cepillo de cerdas metálicas. Cámbiela si está dañada o si no la puede limpiar completamente.
6. Reinstale la rejilla del parachispas, ajustándola en forma ceñida de nuevo en la cubierta del parachispas.
7. Reinstale las dos lengüetas de la cubierta en las dos ranuras y cierre la cubierta del parachispas con un golpe rápido.
8. Vuelva a colocar el tornillo que quitó en el Paso 2 y apriétele firmemente.
9. Reinstale la tapa del filtro de aire / silenciador.

AJUSTE DEL CARBURADOR

La velocidad lenta del motor puede ser ajustada por la cubierta del silenciador / filtro de aire (Fig. 27).

NOTA: Los ajustes realizados sin cuidado pueden dañar seriamente su unidad. Los ajustes del carburador deben ser realizados por un proveedor de servicio autorizado.

Controle la mezcla del combustible

Una mezcla incorrecta o vieja de combustible es en general el motivo por el cual la unidad no funciona adecuadamente. Drene y vuelva a llenar el tanque con combustible nuevo y bien mezclado antes de hacer ningún ajuste. Consulte la *Información sobre Aceite y Combustible*.

Limpie el filtro de aire

La condición del filtro de aire es importante para la operación de la unidad. Un filtro de aire sucio limitará el flujo de aire y cambiará la mezcla de combustible y aire en el carburador. Esto con frecuencia se confunde con un carburador mal ajustado. Verifique la condición del filtro de aire antes de ajustar el tornillo de marcha lenta. Consulte *Mantenimiento del Filtro de Aire*.

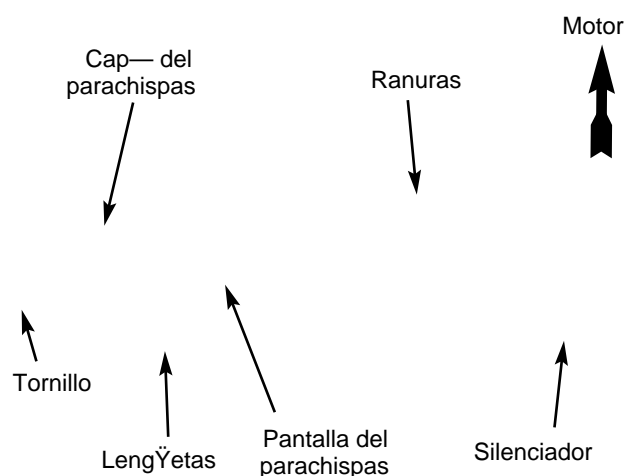



Fig. 26

INSTRUCCIONES DE MANTENIMIENTO Y REPARACION

Ajuste del tornillo de marcha lenta

Si luego de verificar la mezcla del combustible y limpiar el filtro de aire el motor aún no funciona en m'nima, ajuste el tornillo de velocidad lenta de la siguiente manera.

1. Arranque el motor y d'jelo funcionar en marcha lenta durante un minuto para calentarlo. Lea las *Instrucciones de arranque y apagado*.

	ADVERTENCIA: El accesorio de corte puede estar girando durante los ajustes del carburador. Use ropa que lo proteja y cumpla con todas las instrucciones de seguridad para prevenir graves lesiones personales.
---	---

2. Suelte el gatillo del regulador y deje que el motor funcione en marcha lenta. Si el motor se para, inserte un peque—o destornillador Phillips o de v†stago plano en el orificio de la cubierta del silenciador / filtro de aire (Fig. 27). Gire el tornillo de marcha lenta en sentido horario, de a 1/8 de vuelta por vez (segœn sea necesario) hasta que el motor funciona en m'nima.
3. Si parece que el motor est† funcionando demasiado r†pido, gire el calibrador de velocidad de marcha en vac'õ hacia la izquierda 1/8 de giro a la vez (como sea necesario) para reducir la velocidad.

El control de la mezcla de combustible, la limpieza del filtro de aire y el ajuste del tornillo de marcha lenta deben resolver la mayor'a de los problemas del motor.

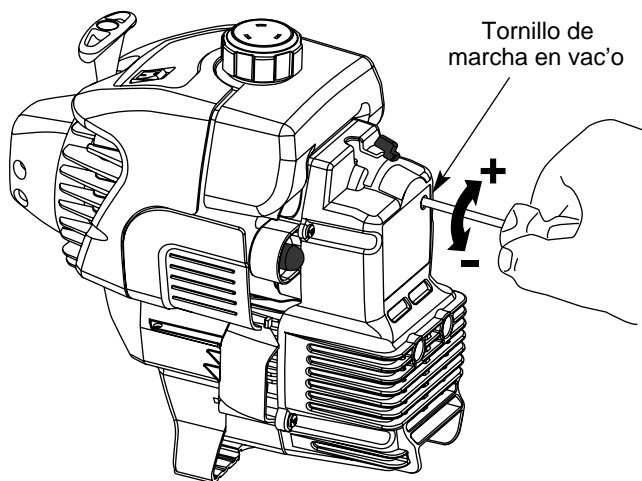



Fig. 27

De no ser as' y si:

- ¥ El motor no funciona en m'nima
- ¥ El motor fluctœa o se para al acelerar
- ¥ Existe una p'rdida de fuerza motriz


Lleve el carburador a un proveedor de servicio autorizado para que lo ajuste.

	ADVERTENCIA: Al apagar la unidad, asegœrese de que el accesorio de corte se haya detenido antes de apoyar la unidad para prevenir graves lesiones personales.
---	--

CAMBIO DE LA BUJIA DE ENCENDIDO

Use una buj'a de encendido Champion RDJ7Y (o similar). La separaci—n correcta es de 0.020 pulgadas (0.5 mm). Retire la buj'a luego de cada 25 horas de operaci—n e inspeccione su estado.

1. Apague el motor y espere que se enfr'ee. Tome el alambre de la buj'a con firmeza y s†quelo de la buj'a de encendido.
2. Limpie alrededor de la buj'a de encendido. Saque la buj'a de encendido de la cabeza del cilindro girando una llave de casquillo de 5/8 de pulgada en sentido antihorario.

	PRECAUCION: No limpie con chorro de arena, ni raspe ni limpie los electrodos. El motor podr'a da—arse si penetran peque—as part'culas en el cilindro.
---	--

3. Cambie las buj'as que est'zn rajadas, sucias o deterioradas. Fije la separaci—n de aire a 0.020 pulgadas (0.5 mm) utilizando un calibrador (Fig. 28).
4. Instale una buj'a de encendido con la separaci—n correcta en la cabeza del cilindro. Ajuste girando la llave de casquillo de 5/8 pulg. en sentido horario hasta que est' ajustada sin huelgo.

Si usa una llave de torsi—n, ajuste a: 110-120 pulg.¥libras (12.3-13.5 N¥m).

No ajuste demasiado.

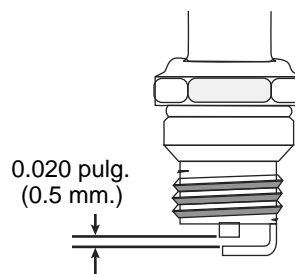


Fig. 28

INSTRUCCIONES DE MANTENIMIENTO Y REPARACION

LIMPIEZA



ADVERTENCIA: Para evitar graves lesiones personales, apague siempre su recortador y espere que se enfríe antes de limpiarlo o realizar cualquier tipo de mantenimiento.

Use un cepillo pequeño para limpiar la parte exterior de la unidad. No use detergentes fuertes. Los limpiadores domésticos que contienen aceites aromáticos como pino y limón, y con solventes como el queroseno pueden dañar el bastidor de plástico y la manija. Seque toda la humedad con un paño suave.

ALMACENAMIENTO

- ✘ No guarde nunca la unidad con combustible en el tanque donde los vapores puedan llegar a una llama o chispa.
- ✘ Espere que el motor se enfríe antes de guardar la unidad.
- ✘ Guarde la unidad bajo llave para prevenir el uso por personas no autorizadas y daños.
- ✘ Guarde la unidad en un área seca y bien ventilada.
- ✘ Guarde la unidad fuera del alcance de los niños.

ALMACENAMIENTO PROLONGADO

Si planea guardar la unidad durante un largo período de tiempo, siga el siguiente procedimiento para su almacenamiento.

1. Drene todo el combustible del tanque de combustible en un recipiente que contenga la misma mezcla de combustible de 2 ciclos. No use combustible que haya permanecido guardado durante más de 60 días. Deseche la mezcla vieja de combustible y aceite de acuerdo a las regulaciones federales, estatales y locales.

2. Arranque el motor y déjelo funcionar hasta que se ahogue. Esto asegura que todo el combustible ha sido drenado del carburador.
3. Espere que el motor se enfríe. Retire la bujía de encendido y coloque alrededor de 1 onza (30 ml) de cualquier aceite para motor de 2 ciclos buena calidad dentro del cilindro. Tire de la cuerda de arranque lentamente para esparcir el aceite. Vuelva a instalar la bujía de encendido.

NOTA: Saque la bujía de encendido y drene todo el aceite del cilindro antes de intentar arrancar el recortador después de su almacenamiento.

4. Limpie bien la unidad e inspeccione para ver si existen partes flojas o dañadas. Repare o cambie las partes dañadas y ajuste los tornillos, tuercas o pernos que puedan estar flojos. La unidad está ahora lista para ser guardada.

TRANSPORTE

- ✘ Espere que el motor se enfríe antes de transportar
- ✘ Drene el combustible de la unidad.
- ✘ Ajuste la tapa del combustible antes de transportar.
- ✘ Asegure la unidad durante su transporte.

RESOLUCION DE PROBLEMAS

EL MOTOR NO ARRANCA

CAUSA

El tanque de combustible est  vac o
La bombilla de cebado no fue oprimida lo suficiente
El motor est  inundado
El combustible es viejo o est  mal mezclado

La buj a de encendido est  arruinada
Parachispas obstruido

ACCI N

Llene el tanque con combustible bien mezclado
Oprima la bombilla de cebado total de 10 veces
Use el procedimiento de arranque
Drene el tanque de gasolina / Agregue mezcla de combustible nueva
Cambie o limpie la buj a de encendido
Limpie o cambie el parachispas

EL MOTOR NO FUNCIONA EN MINIMA

CAUSA

El filtro de aire est  obstruido
El combustible es viejo o est  mal mezclado

El carburador no est  ajustado en forma correcta

ACCI N

Cambie o limpie el filtro de aire
Drene el tanque de gasolina / Agregue mezcla de combustible nueva
Ajuste seg en las instrucciones

EL MOTOR NO ACELERA

CAUSA

El combustible es viejo o est  mal mezclado

El carburador no est  ajustado en forma correcta

El accesorio de corte est  atascado de hierba
El filtro de aire est  sucio
Parachispas obstruido

ACCI N

Drene el tanque de gasolina / Agregue mezcla de combustible nueva
Lleve la unidad a un proveedor de servicio autorizado para hacer un ajuste de carburador
Pare el motor y limpie el accesorio de corte
Limpie o cambie el filtro de aire
Limpie o cambie el parachispas

EL MOTOR NO TIENE SUFICIENTE POTENCIA O SE AHOGA AL CORTAR

CAUSA

El combustible es viejo o est  mal mezclado

El carburador no est  ajustado en forma correcta

La buj a de encendido est  arruinada
Parachispas obstruido

ACCI N

Drene el tanque de gasolina / Agregue mezcla de combustible nueva
Lleve la unidad a un proveedor de servicio autorizado para hacer un ajuste de carburador
Cambie o limpie la buj a de encendido
Limpie o cambie el parachispas

LA CABEZA DE CORTE NO HACE AVANZAR LINEA

CAUSA

El accesorio de corte est  atascado de hierba
El accesorio de corte no tiene l nea
El carrete interior est  trabado
La cabeza de corte est  sucia
La l nea se ha soldado
La l nea se retorci  al reponerla
No hay suficiente l nea expuesta

ACCI N

Pare el motor y limpie el accesorio de corte
Coloque una l nea nueva
Cambie el carrete interior
Limpie el carrete interior y la bobina exterior
Desarme, saque la secci n soldada y rebobine la l nea
Desarme y rebobine la l nea
Oprima el bot n de tope y tire de la l nea hasta sacar 4 pulgadas (102 mm) de l nea fuera del accesorio de corte.

LA L NEA DE CORTE AVANZA SIN CONTROL

CAUSA

El cabezal de corte tiene aceite

ACCI N

Limpie el aditamento de corte

Si necesita asistencia adicional, comun quese con su proveedor de servicio autorizado.

ESPECIFICACIONES

MOTOR*

Tipo de motor.....	Enfriado por aire, de 2 ciclos
Carrera	1.25 pulg. (31.75 mm)
Desplazamiento	1.9 pulg. cúbicas (31 cc)
R.P.M. de operaci—n.....	6,800+ r.p.m.
R.P.M. de marcha lenta.....	3,200-4,400 r.p.m.
Tipo de encendido	Electr—nico
Interruptor de encendido	Interruptor oscilante
Separaci—n de la buj' a de encendido.....	0.020 pulg. (0.5 mm)
Lubricaci—n.....	Mezcla de combustible y aceite
Proporci—n de combustible - aceite.....	40:1
Carburador	Diafragma, multiposicional
Arranque	Rebobinado autom†tico
Silenciador	Desviado con protecci—n
Regulador	Retroceso manual a resorte
Capacidad del tanque de combustible.....	15 onzas (444 ml)

EJE IMPULSOR Y ACCESORIO DE CORTE*

Bastidor del eje impulsor	Tubo de acero
Control del regulador.....	Gatillo para el dedo
Peso de la unidad (Sin combustible, con accesorio de corte, y manija en ÒDÓ)	11 libras(5 kg)
Mecanismo de corte	Bump Head ^a
Correa para el hombro	Opcional
Di†metro de la bobina de l'nea	3 pulg. (76.2 mm)
Di†metro de la l'nea de corte	0.080 pulg. (2.03 mm)
Di†metro de la trayectoria de corte.....	17 pulg. (43.18 cm)

*Toda las especificaciones contenidas en este manual se basan en la informaci—n m†s reciente disponible en el momento de impresi—n del manual. Nos reservamos el derecho de hacer cambios en cualquier momento sin aviso previo.

Declaración de Garantía de Control de Emisiones de la EPA / California

Sus Derechos y Obligaciones de la Garantía

La Junta de Recursos del Aire de California, la Agencia de Protección Ambiental y MTD LLC (MTD) se complacen en explicar la garantía del sistema de control de emisiones para su pequeño motor para uso fuera de la carretera del 2005 y posterior. Los nuevos motores pequeños para uso fuera de la carretera tienen que diseñarse, construirse y equiparse para cumplir las normas contra smog más estrictas. MTD tiene que garantizar el sistema de control de emisiones de su pequeño motor para uso fuera de la carretera durante los períodos de tiempo que aparecen a continuación siempre que no haya habido abuso, negligencia o mantenimiento indebido de su motor para uso fuera de la carretera.

Su sistema de control de emisiones puede incluir piezas como el carburador y el sistema de inyección de combustible, el sistema de encendido y el convertidor del catalizador. También se pueden incluir mangueras, correas, conectores y otros conjuntos relacionados con la emisión.

Donde existan las condiciones de garantía, MTD reparará su pequeño motor para uso fuera de la carretera sin costo alguno para usted incluyendo el diagnóstico, las piezas y la mano de obra.

Los pequeños motores para uso fuera de la carretera del 2005 y posteriores, se garantizan por dos años. Si alguna pieza de su motor relacionada con la emisión está defectuosa, la pieza será reparada o reemplazada por MTD.

Responsabilidades de Garantía de los Propietarios

Como propietario del pequeño motor para uso fuera de la carretera, usted es responsable de realizar el mantenimiento requerido que aparece en el manual del operador. MTD recomienda que conserve todos los comprobantes que cubren el mantenimiento de su pequeño motor para uso fuera de la carretera, pero MTD no puede negar garantía exclusivamente por la falta de comprobantes o por que usted no haya realizado todos los mantenimientos programados.

Como propietario del pequeño motor para uso fuera de la carretera, usted debe conocer que MTD puede negarle cobertura de garantía si su pequeño motor para uso fuera de la carretera o una pieza ha fallado debido a abuso, negligencia, mantenimiento inadecuado o modificaciones no aprobadas.

Usted es responsable de presentar su pequeño motor para uso fuera de la carretera a un Centro de Servicio Autorizado MTD tan pronto como exista un problema. Las reparaciones de garantía deben completarse en un período de tiempo razonable, el cual no deberá ser mayor de 30 días.

Si tiene alguna pregunta relacionada con los derechos y responsabilidades de la garantía, debe llamar al 1-800-345-8746.

Cobertura de Garantía del Fabricante

El período de garantía comienza en la fecha en que el motor o equipo se entrega al comprador minorista.

El fabricante garantiza al propietario original y a cada comprador subsiguiente, que el motor está libre de defectos en cuanto a material y mano de obra que ocasionen la falla de una pieza bajo garantía durante un período de dos años.

La reparación o reemplazo de una pieza bajo garantía se llevará a cabo sin cargo alguno para el propietario en un Centro de Servicio MTD Autorizado. Para conocer el establecimiento más cercano, comuníquese con MTD llamando al: 1-800-345-8746.

Cualquier pieza bajo garantía que no esté programada para ser reemplazada, según indica el mantenimiento requerido o que esté programada solamente para inspección regular a los efectos de "Repare o Reemplace según sea Necesario" está garantizada durante el período de garantía. Cualquier pieza bajo garantía que esté programada para ser reemplazada según indica el mantenimiento requerido tendrá garantía durante el período de tiempo hasta el primer punto de reemplazo programado para dicha pieza.

No se le cobrará al propietario la mano de obra de diagnóstico que conlleve a la determinación de que una pieza bajo garantía está defectuosa, si dicho trabajo de diagnóstico se lleva a cabo en un Centro de Servicio MTD Autorizado.

El fabricante es responsable de los daños ocasionados a otros componentes del motor producidos por la falla de una pieza bajo garantía que todavía está bajo garantía.

Las fallas ocasionadas por abuso, negligencia o mantenimiento inadecuado no están cubiertas por la garantía.

El uso de accesorios optativos o piezas modificadas puede ser motivo justificado para no aceptar una reclamación de garantía. El fabricante no es responsable de cubrir fallas de piezas bajo garantía ocasionadas por el uso de accesorios optativos o piezas modificadas.

Para presentar una reclamación, vaya a su Centro de Servicio MTD Autorizado más cercano. Los servicios o reparaciones por motivo de garantía se realizarán en todos los Centros de Servicio MTD Autorizados.

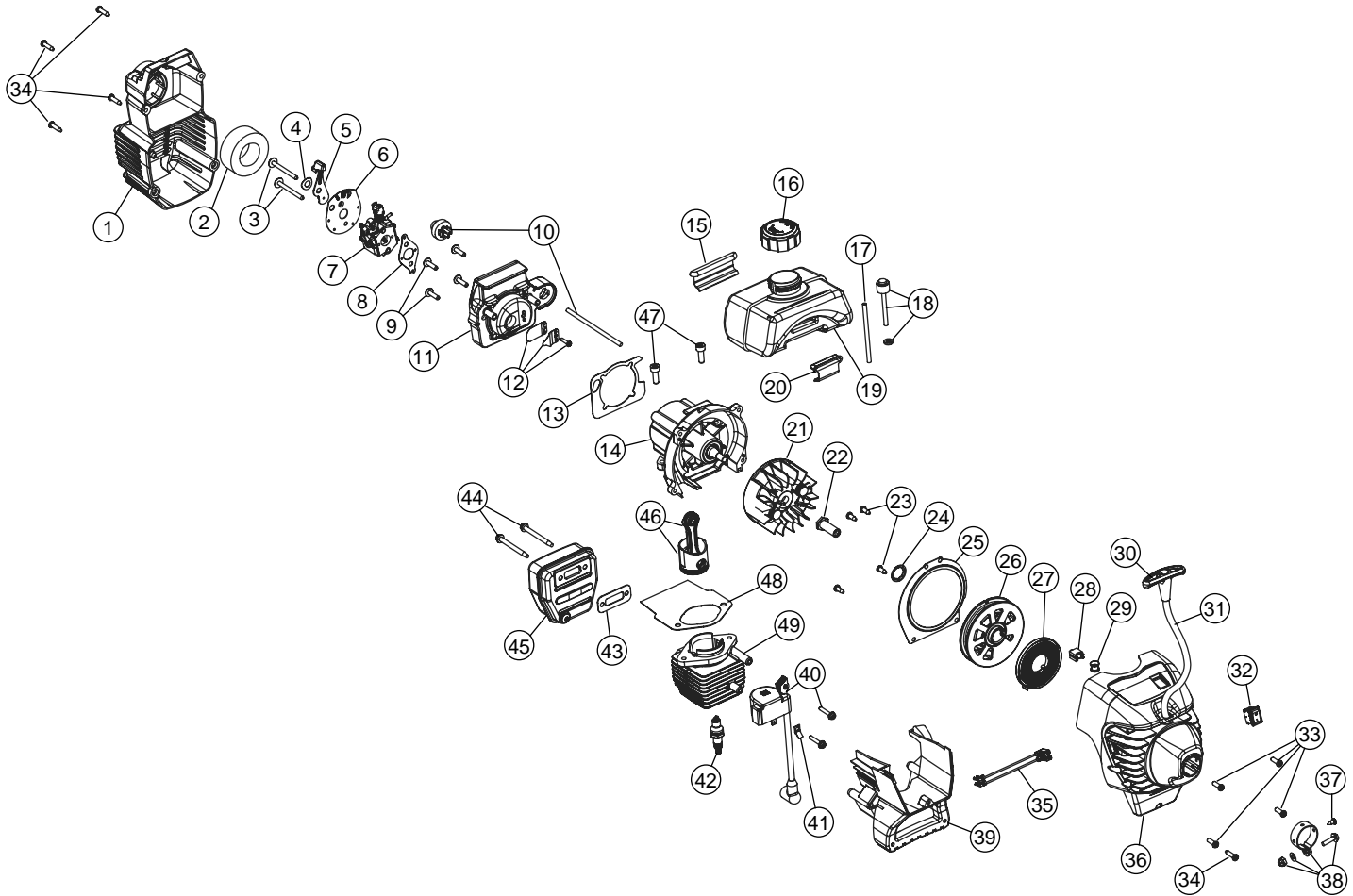
Cualquier pieza de reemplazo aprobada por el fabricante puede ser utilizada para llevar a cabo el mantenimiento o la reparación de garantía de piezas relacionadas con la emisión y se realizará sin cargo alguno para el propietario. Cualquier pieza de reemplazo que sea equivalente en rendimiento o durabilidad puede ser utilizada en el mantenimiento o reparación sin garantía y no reducirá las obligaciones de garantía del fabricante.

Los componentes siguientes se incluyen en la garantía relacionada con emisiones del motor, filtro de aire, carburador, cebador, líneas de combustible, toma de combustible, filtro de combustible, módulo de encendido, bujía de encendido y silenciador.

NOTAS

PARTS LIST

ENGINE PARTS - Y700 2-CYCLE GAS TRIMMER

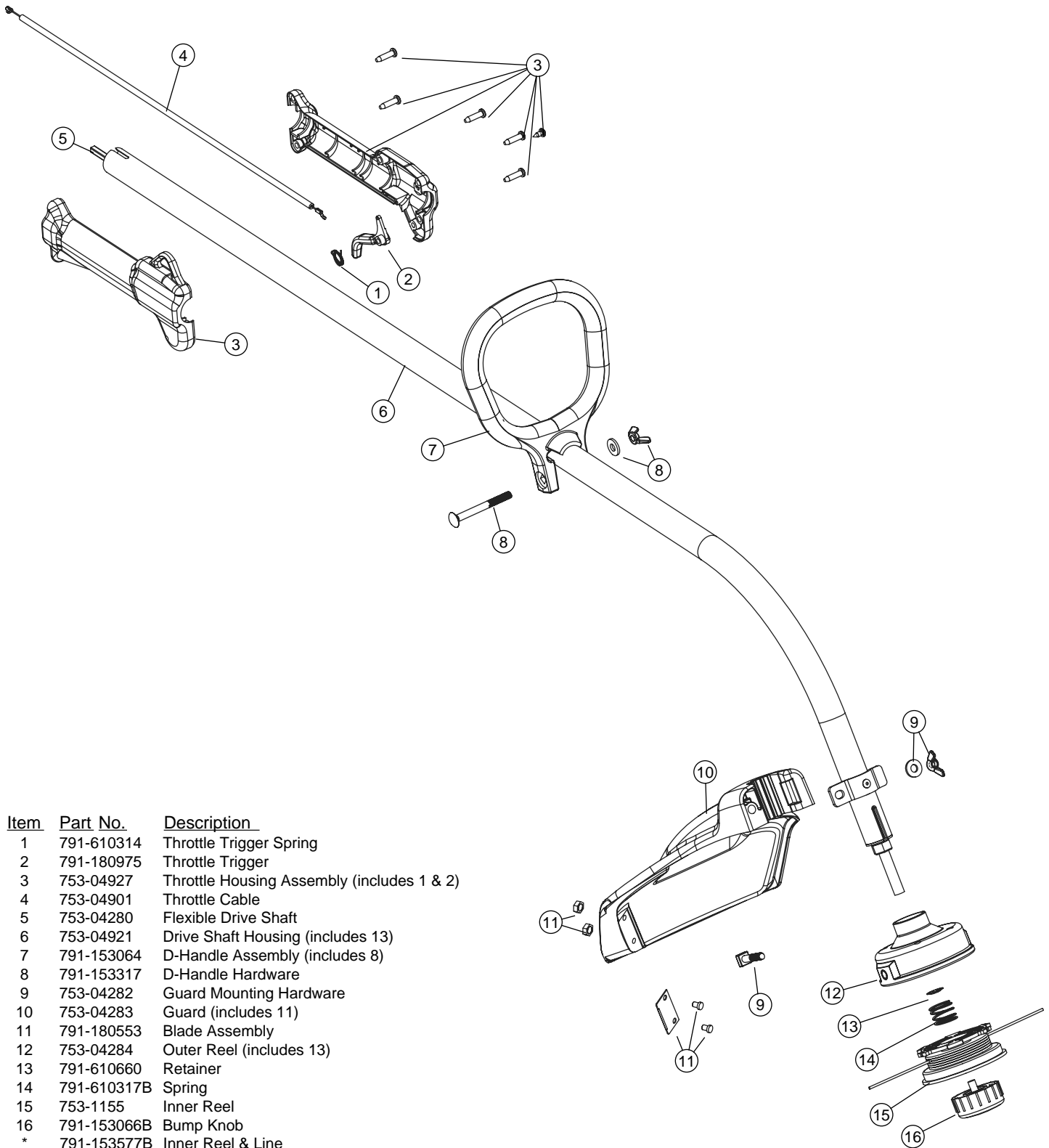


Item	Part No.	Description
1	753-04511	Air Cleaner Cover Assembly (includes 2 & 34)
2	791-180350B	Air Cleaner Filter
3	791-180351	Carburetor Mounting Screws
4	791-180226	Wavey Washer
5	753-04418	Choke Lever Assembly
6	753-04419	Choke Lever & Plate (includes 5)
7	753-04408	Carburetor Assembly (includes 8 & 18)
8	791-610675	Carburetor Gasket
9	791-181860	Carb Mount Screw
10	791-683974B	Primer and Hose Assembly
11	753-1196	Carburetor Mount Assembly (includes 9, 12 & 13)
12	791-684451	Reed Assembly
13	753-1208	Carburetor Mount Gasket
14	753-04321	Crankcase Service Assembly (includes 9)
15	791-612134	Rear Mounting Pad
16	791-182612	Fuel Cap Assembly
17	791-181086	Fuel Return Line
18	791-682039	Fuel Line Assembly
19	791-182767	Fuel Tank Assembly (includes 16-18)
20	791-145308	Front Mounting Pad
21	791-182736	Flywheel Assembly
22	791-610303	Square Nut Drive
23	753-1202	Plate Screw
24	753-04288	Palnut
25	753-04928	Pressure Plate (includes 23 & 28)
26	753-04823	Recoil Pulley Assembly (includes 24)
27	753-04286	Recoil Spring

Item	Part No.	Description
28	753-04824	Eyelet Retainer
29	791-611061	Rope Guide
30	791-181079	Pull Handle
31	791-613103	Rope
32	791-182673	Switch Assembly
33	791-181862	Housing Screw
34	791-181345	Cover Screw
35	753-04242	Wire Lead
36	753-05069	Starter Housing Assembly (includes 23-35)
37	753-04466	Anti-Rotation Screw
38	753-05056	Clamp Assembly (includes 37)
39	753-04702	Shroud Extension and Stand (includes 34)
40	753-04324	Module Assembly
41	791-611063	Ground Tab
42	791-610311B	Spark Plug
43	753-04619	Exhaust Gasket
44	753-04620	Muffler Mounting Bolt Assembly
45	753-05169	Muffler Assembly (includes 43, 44 & Spark Arrestor)
46	753-04367	Piston & Rod Assembly
47	791-182723	Cylinder Bolt
48	753-04182	Cylinder Gasket
49	753-04814	Cylinder Assembly (includes 47 & 48)
*	753-1209	Piston Ring Set
*	753-04826	Short Block Assembly (includes 14, 42 & 46-49)
*	not shown	

PARTS LIST

BOOM & TRIMMER PARTS - Y700 2-CYCLE GAS TRIMMER



Item	Part No.	Description
1	791-610314	Throttle Trigger Spring
2	791-180975	Throttle Trigger
3	753-04927	Throttle Housing Assembly (includes 1 & 2)
4	753-04901	Throttle Cable
5	753-04280	Flexible Drive Shaft
6	753-04921	Drive Shaft Housing (includes 13)
7	791-153064	D-Handle Assembly (includes 8)
8	791-153317	D-Handle Hardware
9	753-04282	Guard Mounting Hardware
10	753-04283	Guard (includes 11)
11	791-180553	Blade Assembly
12	753-04284	Outer Reel (includes 13)
13	791-610660	Retainer
14	791-610317B	Spring
15	753-1155	Inner Reel
16	791-153066B	Bump Knob
*	791-153577B	Inner Reel & Line

GARANTÍA LIMITADA DEL FABRICANTE PARA:



La garantía limitada establecida a continuación es dada por MTD LLC (ÓMTDÓ) con respecto a mercancía nueva que sea comprada y usada en los Estados Unidos, sus posesiones y territorios.

MTD garantiza este producto contra defectos en el material y la mano de obra durante un período de uno (1) año, a partir de la fecha de compra original y a su entera opción, arreglar o substituir, sin costo alguno, cualquier pieza cuyo material o mano de obra se considere defectuoso. Esta garantía limitada se deberá aplicar únicamente si este producto ha sido manejado y mantenido de acuerdo al Manual del Operador incluido con el producto y, si no ha sido sometido a mal uso, abuso, uso comercial, accidente, mantenimiento inapropiado, alteración, vandalismo, hurto, fuego, agua o daños debidos a otros riesgos o desastre natural. Los daños ocasionados por la instalación o el uso de cualquier accesorio o aditamento que no esté aprobado por MTD para que sea usado con el (los) producto(s) contemplados en este manual, anularán la garantía con respecto a cualquier daño resultante. Esta garantía está limitada a noventa (90) días a partir de la fecha de compra original de cualquier producto MTD que se use para alquiler o para propósitos comerciales, o cualquier otro propósito que genere ingreso.

CÓMO OBTENER SERVICIO: El servicio de garantía se encuentra disponible A TRAVÉS DE SU DISTRIBUIDOR LOCAL AUTORIZADO, AL PRESENTAR UN COMPROBANTE DE COMPRA. Para ubicar al distribuidor de su área, por favor consulte las Páginas Amarillas o contacte al Departamento de Servicio al Consumidor de MTD llame al 1-800-345-8746 o, escriba a P.O. Box 361131, Cleveland OH 44136-0019. Si está en Canadá, llame al 1-800-668-1238. No se aceptará ningún producto que sea enviado directamente a la fábrica, a menos que haya recibido autorización previa por escrito por parte del Departamento de Servicio al Consumidor de MTD.

Esta garantía limitada no ofrece cobertura en los siguientes casos:

- A. Sincronizaciones y Bujías, ajustes de carburadores, filtros.
- B. Artículos de desgaste y Botón de tope, carretes externos, línea de corte, carretes internos, polea de arranque, cuerdas de arranque, correas motoras.
- C. MTD no le ofrece ninguna garantía a productos que sean vendidos o exportados fuera de los Estados Unidos de Norteamérica, sus posesiones y territorios, excepto aquellos que se vendan a través de los canales de distribución para exportación autorizados por MTD.

MTD se reserva el derecho a cambiar o mejorar el diseño de cualquier producto MTD, sin asumir ninguna obligación para modificar ningún producto fabricado con anterioridad.

Ninguna garantía implícita es aplicable, incluyendo cualquier garantía implícita de comerciabilidad o idoneidad para un propósito particular, después del período de la garantía expresa escrita con anterioridad, con respecto a las piezas identificadas. Ninguna otra garantía expresa dada por cualquier persona o entidad, incluyendo a los distribuidores o minoristas, bien sea escrita u oral, deberá comprometer a MTD con respecto a cualquier producto. Durante el período de la Garantía, la solución exclusiva es arreglar o cambiar el producto de la manera establecida anteriormente. (Algunos estados no permiten limitaciones en cuanto al período de duración de una garantía implícita, de manera que puede que la limitación anterior no sea aplicable para usted.)

Las estipulaciones establecidas en esta Garantía ofrecen la solución única y exclusiva que resulte de las ventas. MTD no deberá ser responsable de pérdidas o daños incidentales o consecuentes que incluyen, sin limitación, erogación de gastos debido a la sustitución de servicios de mantenimiento de prados, transporte o gastos relacionados, o gastos de alquiler para reemplazar temporalmente un producto bajo garantía. (Algunos estados no permiten limitaciones en cuanto al período de duración de una garantía implícita, de manera que puede que la limitación anterior no sea aplicable para usted.)

La recuperación de cualquier tipo no deberá ser superior al precio de compra del producto vendido en ningún caso. La alteración de las características de seguridad del producto deberá anular la garantía. Usted asume el riesgo y la obligación de la pérdida, daño o lesión en su persona o a su propiedad y / o la de otras personas y sus propiedades, que se origine a raíz del uso o mal uso, o la falta de capacidad para usar el producto.

Esta garantía limitada no deberá cubrir a ninguna otra persona distinta al comprador original, arrendatario original, o la persona para la que se compró en calidad de regalo.

Relación de las leyes estatales con esta Garantía: Esta garantía le confiere derechos legales específicos, y puede que usted también tenga otros derechos, los cuales varían en cada estado.

Para ubicar a su distribuidor de servicio más cercano, llame al 1-800-345-8746 en los Estados Unidos a al 1-800-668-1238 en Canadá.

MTD LLC
P.O. Box 361131
Cleveland, OH 44136-0019