



Operator's Manual



Lawn Edger TBLE



IMPORTANT: READ SAFETY RULES AND INSTRUCTIONS CAREFULLY
TROY-BILT LLC, P.O. BOX 361131, CLEVELAND, OH 44136-0019

P/N 769-02496 (4/06)

INTRODUCTION

THANK YOU

Thank you for buying this quality product. This modern outdoor power tool will provide many hours of useful service. You will find it to be a great labor-saving device. This operator's manual provides you with easy-to-understand operating instructions. Read the whole manual and follow all the instructions to keep your new outdoor power tool in top operating condition.

PRODUCT REFERENCES, ILLUSTRATIONS AND SPECIFICATIONS

All information, illustrations and specifications in this manual are based on the latest product information available at the time of printing. We reserve the right to make changes at any time without notice.

Copyright © 2002 MTD SOUTHWEST INC
All Rights Reserved.

Troy-Bilt® is a registered trademark of
MTD PRODUCTS INC

SERVICE INFORMATION

Service on this unit both within and after the warranty period should be performed only by an authorized and approved service dealer.

Dial:

- 1-330-558-7220

Or

- 1-866-840-6483 to obtain the listing of the authorized service dealer nearest you.

DO NOT RETURN THE UNIT TO THE RETAILER.

NOTE: PROOF OF PURCHASE WILL BE REQUIRED FOR WARRANTY SERVICE.

Make sure this manual is carefully read and understood before starting or operating this equipment.

THIS PRODUCT IS COVERED BY ONE OR MORE US PATENTS. OTHER PATENTS PENDING.

WARNING!

Read the Operator's Manual(s) and follow all warnings and safety instructions. Failure to do so can result in serious injury to the operator and/or bystanders.

TABLE OF CONTENTS

I. Rules for Safe Operation	3-6
A. Important Safety Information	3-4
B. Safety and International Symbols	5
C. Know Your Unit	6
II. Operating Instructions	7-8
A. Assembling the coupler	7
B. Holding the Unit with Edger Add-On	8
C. Adjusting Edger Cutting Depth	8
D. Tips for Best Edging Results	8
III. Maintenance and Repair Instructions	9-10
A. Edger Blade Replacement	9
B. Storage	10
C. Transporting	10
D. Accessories/Replacement Parts	10
IV. Specifications	11
V. Warranty	12

CONTENTS OF CARTON


This unit should consist of the following:


- TBLE Edger Add-On
- Locking Rod
- Hanger
- Operator's Manual
- Product Registration Card


NOTE: This product has been rated for use on both gas and electric powerheads.


RULES FOR SAFE OPERATION

The purpose of safety symbols is to attract your attention to possible dangers. The safety symbols, and their explanations, deserve your careful attention and understanding. The safety warnings do not by themselves eliminate any danger. The instructions or warnings they give are not substitutes for proper accident prevention measures.

SYMBOL	MEANING
	SAFETY ALERT SYMBOL: Indicates danger, warning, or caution. Attention is required in order to avoid serious personal injury. May be used in conjunction with other symbols or pictographs.
	NOTE: Advises you of information or instructions vital to the operation or maintenance of the equipment.


 **DANGER:** Failure to obey a safety warning will result in serious injury to yourself or to others. Always follow the safety precautions to reduce the risk of fire, electric shock, and personal injury.

 **WARNING:** Failure to obey a safety warning can result in injury to yourself and others. Always follow the safety precautions to reduce the risk of fire, electric shock, and personal injury.

 **CAUTION:** Failure to obey a safety warning may result in property damage or personal injury to yourself or to others. Always follow the safety precautions to reduce the risk of fire, electric shock, and personal injury.

• IMPORTANT SAFETY INFORMATION •


READ ALL INSTRUCTIONS

 **WARNING:** When using the unit, the safety rules must be followed. For your own safety and that of bystanders, please read these instructions before operating the unit. Please keep the instructions safe for later use.

BEFORE OPERATING

- Carefully read and understand the operator's manual of the unit that powers this attachment.
- Read this operating instruction manual carefully. Be thoroughly familiar with the controls and the proper use of the equipment. Know how to stop the unit and disengage the controls quickly.
- Do not operate this unit when tired, ill, or under the influence of alcohol, drugs, or medication.
- Never allow children to operate the equipment. Never allow adults unfamiliar with the instructions to use the unit. Never allow adults to operate the equipment without proper instruction.
- All guards and safety attachments must be installed properly before operating the unit.
- Inspect the unit before use. Ensure the blade is installed correctly and secure.
- Clear the area to be edged before each use. Remove all objects such as rocks, broken glass, nails, wire, or string which can be thrown or become entangled in the edging attachment.


SPECIAL SAFETY WARNINGS FOR GAS POWERHEADS AND LAWN EDGERS

 **WARNING:** Gasoline is highly flammable, and its vapors can explode if ignited. Take the following precautions:

- Store fuel only in containers specifically designed and approved for the storage of such materials.

- Always stop the engine and allow it to cool before filling the fuel tank. Never remove the cap of the fuel tank, or add fuel, when the engine is hot. Never operate the unit without the fuel cap securely in place. Loosen the fuel tank cap slowly to relieve any pressure in the tank.
- Mix and add fuel in a clean, well-ventilated area outdoors where there are no sparks or flames. Slowly remove the fuel cap only after stopping engine. Do not smoke while fueling or mixing fuel. Wipe up any spilled fuel from the unit immediately.
- Avoid creating a source of ignition for spilled fuel. Do not start the engine until fuel vapors dissipate.
- Move the unit at least 30 feet (9.1 m) from the fueling source and site before starting the engine. Do not smoke. Keep sparks and open flames away from the area while adding fuel or operating the unit.
- Never start or run the unit inside a closed room or building. Breathing exhaust fumes can kill. Operate this unit only in a well ventilated area outdoors.

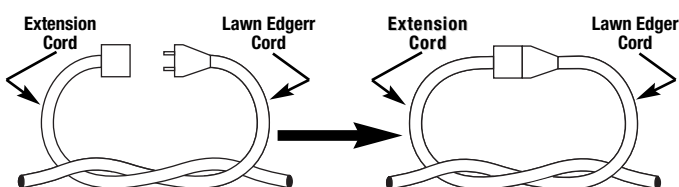
SPECIAL SAFETY WARNINGS FOR ELECTRIC POWERHEADS AND LAWN EDGERS

 **WARNING:** To reduce the risk of electrical shock, use only extension cords approved for outdoor use, such as an extension cord of cord type SW-A, SOW-A, STW-A, STOW-A, SJW-A, SJOW-A, SJTW-W or SJTOW-A. Extension cords are available from your local retailer. Use only round-jacketed extension cords approved for outdoor use.

- **CORD SETS:** Make sure your cord set is in good condition. When using a cord set, be sure to use a cord that is heavy enough to carry the current that your unit will draw. An undersized cord set will cause a drop in line voltage resulting in loss of power and overheating. See the operator's manual for the unit that will power this add-on for the recommended cord size.
- Inspect all extension cords and the unit power connection periodically. Look closely for deterioration, cuts or cracks in the insulation. Also inspect the connections for damage. Replace the cords if any defects or damage appear.

RULES FOR SAFE OPERATION

- Prevent disconnection of the lawn edger powerhead from extension cord during operation by using a plug-receptacle retaining strap, connector, or by making a knot as shown below:



- Avoid dangerous environments. Never operate your unit in damp or wet conditions. Moisture is a shock hazard.
- Do not use the unit in the rain. Do not use in or around water.
- Do not handle the plug or unit with wet hands or standing on any wet surfaces.
- Do not leave the unit plugged in when not in use, changing attachments or add-ons, or while being serviced.

WHILE OPERATING

- Keep bystanders, especially children and pets, at least 50 ft (15 m) away.
- Wear safety glasses or goggles that are marked as meeting ANSI Z87.1 standards, and ear/hearing protection when operating this unit. Wear a face or dust mask if the operation is dusty.
- Wear heavy, long pants, boots, gloves and a long sleeve shirt. Do not wear loose clothing, jewelry, short pants, sandals or go barefoot. Secure hair above shoulder level.
- Use the unit only in daylight or good artificial light.
- Use the right tool. Only use this tool for the purpose intended.
- Do not force unit. It will do the job better and with less likelihood of injury at a rate for which it was designed.
- Use extreme caution when reversing or pulling the unit towards you.
- Do not overreach, take extra care when working on steep slopes or inclines. Always keep proper footing and balance.
- Always hold the unit with both hands when operating. Keep a firm grip on both the front and rear handle or grips.
- Keep hands, face, and feet at a distance from all moving parts. Do not touch or try to stop the blade when it is rotating. Do not operate without guards in place.
- Do not operate the engine faster than the speed needed to do the job. Do not run the engine at high speed when not in use.
- Always stop the engine/motor when operation is delayed or when walking from one location to another.
- Stop the engine/motor for maintenance, repair, to install or remove the blade. The unit must be stopped and the blade no longer turning to avoid injury.
- The blade may become very sharp from use. Always wear heavy gloves when handling, removing, installing or cleaning the blade.

- If you strike or become entangled with a foreign object, stop the engine/motor immediately and check for damage. Have any damage repaired before attempting further operations. Do not operate unit with a bent, cracked or dull blade. Discard blades that are bent, warped, cracked or broken.
- Stop the unit IMMEDIATELY if you feel excessive vibration. Vibration is a sign of trouble. Inspect thoroughly for loose nuts, bolts or damage before continuing. Repair or replace affected parts as necessary.
- Stop and switch the unit to off for maintenance, repair, or for changing add-ons or other attachments.
- Keep unit clean of vegetation and other materials. They may become lodged between the blade and gearbox or guard.
- A coasting blade can cause injury while it continues to spin after the unit is stopped. Maintain proper control of the unit until the blade has completely stopped rotating.
- Use only genuine factory replacement parts and accessories for this unit. These are available from your authorized service dealer. Use of any unauthorized parts or accessories could lead to serious injury to the user or damage to the unit, and void your warranty.

MAINTENANCE AND STORAGE

- Allow the unit to cool before storing or transporting. Be sure to secure the unit while transporting.
- Store the unit in a locked up and dry or high and dry place to prevent unauthorized use or damage, out of the reach of children.
- Clean the blade with a hose and water. Wipe the blade with a light machine oil to prevent rust.
- Never douse or squirt the unit with water or any other liquid. Keep handles dry, clean and free from debris. Clean after each use.
- Keep these instructions. Refer to them often and use them to instruct other users. If you loan someone this unit, also loan them these instructions.
- Only qualified personnel should perform any repairs or maintenance procedures that are not described in this manual.
- Check shear bolts, engine mounting bolts and other bolts at frequent intervals for proper tightness to be sure the equipment is in safe working condition.
- Inside a building store the machine away from ignition sources. Allow the engine to cool before storing in any enclosure.
- Always refer to the Operator's Manual instructions for important details if the lawn edger is to be stored for an extended period.
- Do not attempt to repair the machine unless you have the proper tools, and instructions for disassembly and repair of the machine.

SAVE THESE INSTRUCTIONS

RULES FOR SAFE OPERATION

SAFETY AND INTERNATIONAL SYMBOLS

This operator's manual describes safety and international symbols and pictographs that may appear on this product. Read the operator's manual for complete safety, assembly, operating and maintenance and repair information.

SYMBOL

MEANING



- **SAFETY ALERT SYMBOL**

Indicates danger, warning, or caution. May be used in conjunction with other symbols or pictographs.



- **WARNING - READ OPERATOR'S MANUAL**

Read the Operator's Manual(s) and follow all warnings and safety instructions. Failure to do so can result in serious injury to the operator and/or bystanders.



- **WEAR EYE AND HEARING PROTECTION**

WARNING: The operation of any power tool can be the source of thrown objects and loud noise which can cause severe eye injury and hearing loss. Always wear safety glasses or goggles eye protection meeting ANSI Z87.1 standards and ear protection when operating this unit. Use a full face shield when needed.



- **KEEP BYSTANDERS AWAY**

WARNING: Keep all bystanders, especially children and pets, at least 50 feet (15 m) from the operating area.



- **THROWN OBJECTS CAN CAUSE SEVERE INJURY**

WARNING: Do not operate unit without proper attachments and guards in place.



- **SHARP BLADE**

WARNING: Sharp blade, do not touch. To prevent serious injury, always wear gloves when changing or handling the blade.

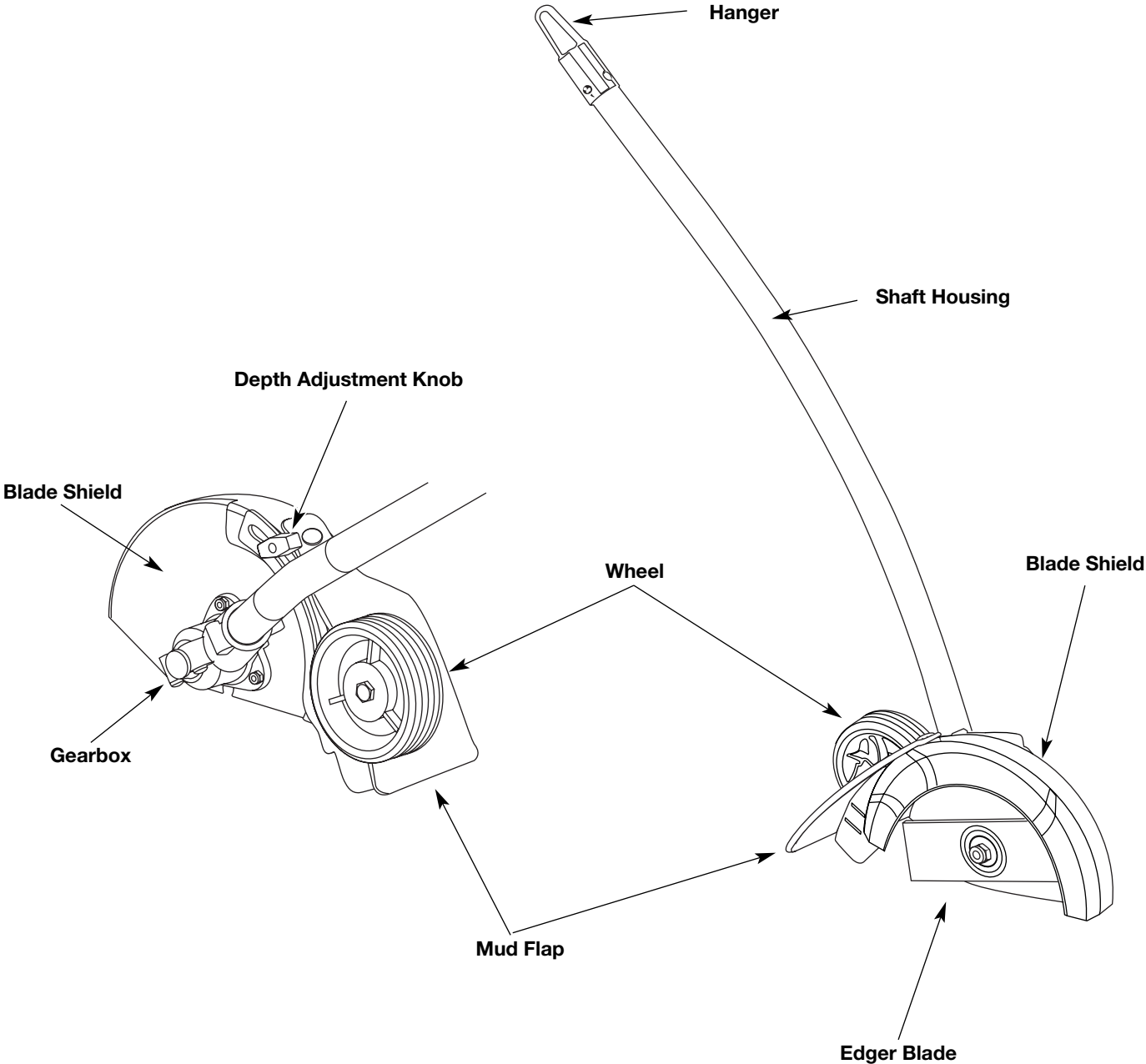
RULES FOR SAFE OPERATION

KNOW YOUR UNIT

APPLICATIONS

With Edger Add-On:

- Edging along paths, driveways, rockeries, etc.



OPERATING INSTRUCTIONS

ASSEMBLING THE COUPLER

The following Troy-Bilt Add-Ons are also available for your unit:

Blower/Vacuum	TBBV
Cultivator	TBGC
Hedge Trimmer	TBHS
Sweeper/Blower	TBSB
Straight Shaft Trimmer	TBSS
Snow Thrower	TBST
Turbo Blower	TBTB
Tree Pruner	TBTP

Removing the add-on

	WARNING: Read and understand operator's manual for unit to be used with this add-on prior to operation.
--	--

1. Turn the knob counterclockwise to loosen (Fig. 1).
2. Press and hold the release button (Fig. 1).
3. While firmly holding the upper shaft housing, pull the lawn edger attachment out of the coupler (Fig. 2).

Installing the add-on

	WARNING: To avoid serious personal injury and damage to the unit, shut unit off before removing or installing add-ons.
--	---

NOTE: To make installing or removing the add-on easier, place the unit on the ground or on a work bench.

1. Remove the hanger from the top of the shaft housing.
2. Turn knob counterclockwise to loosen (Fig. 1).
3. While firmly holding the add-on, push it straight into the coupler (Fig. 2).

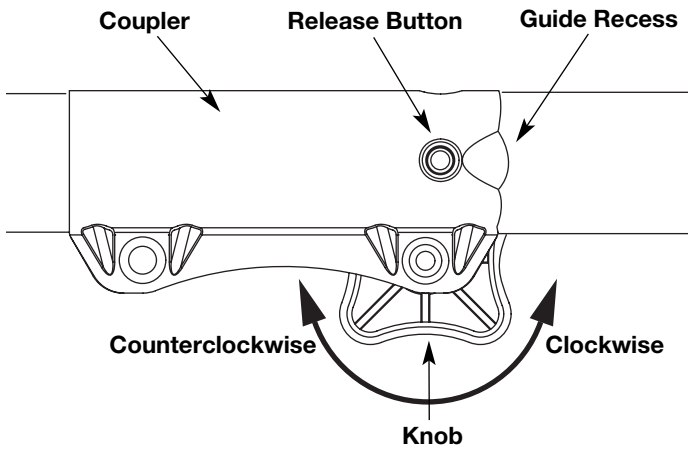


Fig. 1

NOTE: Aligning the release button with the guide recess will help installation (Fig. 1).

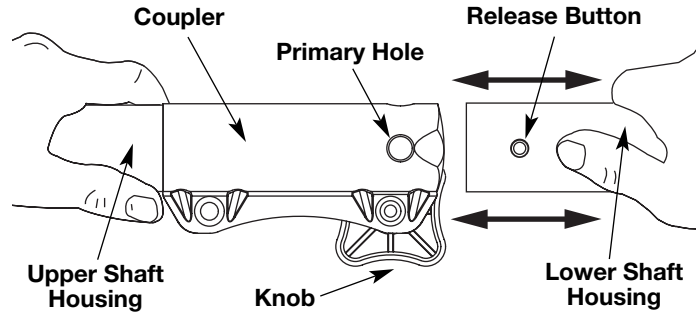


Fig. 2

4. Turn the knob clockwise to tighten (Fig. 3).

	CAUTION: Lock the release button in the primary hole (Fig. 2) and securely tighten the knob before operating this unit.
--	--

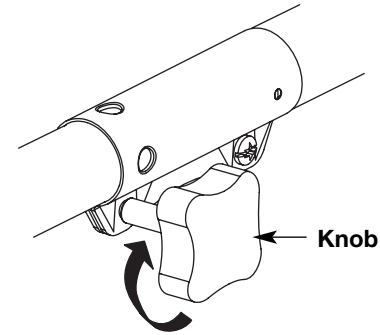


Fig. 3

	CAUTION: The add-ons with the coupler system are to be used in the primary hole only. Using the wrong hole could lead to personal injury or damage to the unit.
--	--

The edger add-on should be installed with the release button in the **primary hole**.

Check Flex Shaft Engagement Prior to Using

1. Start the unit.
2. Briefly engage and release the trigger.
3. Check that add-on is operating.
4. If the add-on is not operating, remove add-on and repeat steps for installing the add-on.
5. Recheck operation of add-on attachment.

OPERATING INSTRUCTIONS

HOLDING THE UNIT WITH EDGER ADD-ON



WARNING: Always wear eye, hearing, foot and body protection to reduce the risk of injury when operating this unit.

Before operating the unit, stand in the operating position (Figs. 4 & 5). Check for the following:

- The operator is wearing eye protection and proper clothing.
- The right arm is slightly bent, and the hand is holding the shaft grip.
- The left arm is straight, and the hand is holding the handle.
- The unit is at waist level.
- The edger wheel adjusted for proper cut depth and edger positioned as shown in Figs. 4 or 5.

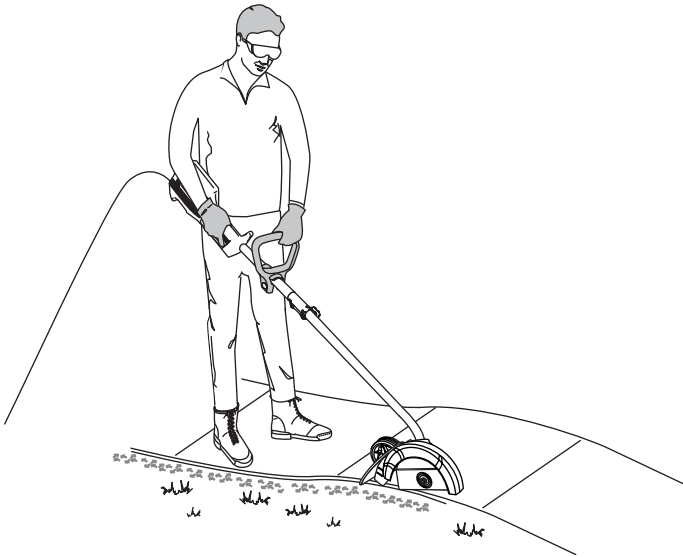


Fig. 4



Fig. 5

ADJUSTING EDGER CUTTING DEPTH

1. Loosen the adjustment knob above the wheel (Fig 6).
2. Slide the wheel to the desired position.
 - Raising the wheel increases the cutting depth.
 - Lowering the wheel decreases the cutting depth.
3. Tighten the adjustment knob securely.

Depth Adjustment Knob

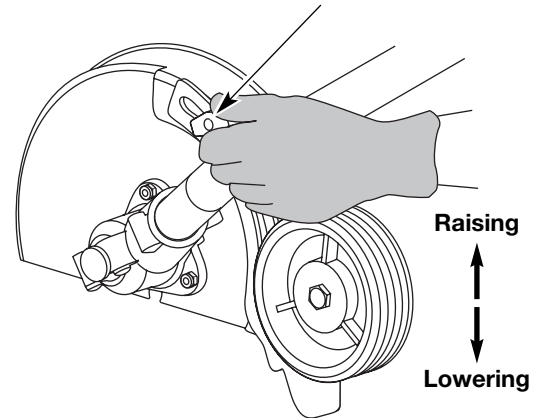


Fig. 6

TIPS FOR BEST EDGING RESULTS

- Keep the cutting attachment perpendicular to the ground.
- Do not force the edger. Edge the first time at a lesser depth, (No more than 1/2" depth cut per pass), then do the area again with a deeper setting.
- Walk the edger at a slow, even pace
- Check the blade condition, as it wears it becomes smaller, reducing the cutting depth performance. Replace with a new blade as required.

MAINTENANCE AND REPAIR INSTRUCTIONS

EDGER BLADE REPLACEMENT



WARNING: To avoid serious personal injury, always wear gloves while handling, removing or installing the blade.



WARNING: The gear housing gets hot after long periods of use. To avoid serious personal injury, do not touch the housing until it has cooled.

1. Line up the hole in output shaft with the locking rod slot. Insert the locking rod through the slot into the output shaft hole (Fig. 7).
2. Hold the locking rod in place by grasping it next to the boom of the unit (Fig. 8).
3. While holding the locking rod, loosen the nut on the blade by turning it clockwise with a 5/8 inch wrench (Fig. 9). Remove the nut, retaining washer and blade. Keep the nut and blade retainer for installation.
4. Install the new blade, blade retainer, and nut (Fig. 10). Insert the locking rod through the slot into the output shaft hole. Make sure that the blade stays flat and centered against the output shaft while tightening the lock nut counterclockwise (Fig. 11).
5. If you have a torque wrench, tighten the nut to 325-335 in.•lbs (37-38 N•m), while holding the locking rod in the slot.

If you do not have a torque wrench, hold the locking rod in the slot. Rotate the nut counterclockwise with a 5/8 inch closed-ended or socket wrench, until the nut presses against the washer and the blade is snug. Make sure the blade assembly is installed correctly, then rotate the nut an additional 1/4-1/2 turn (Fig. 11).

6. Remove the locking rod.



WARNING: Verify the blade is flat against the output shaft after the nut is tightened. If the blade is off-center, the unit will be damaged by vibration, and the blade may fly off, which can cause serious personal injury.

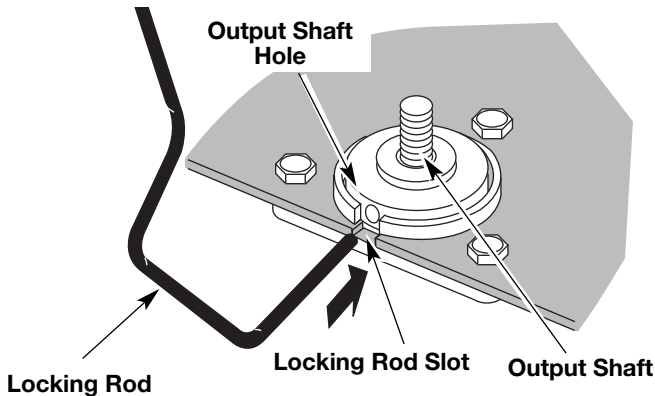


Fig. 7

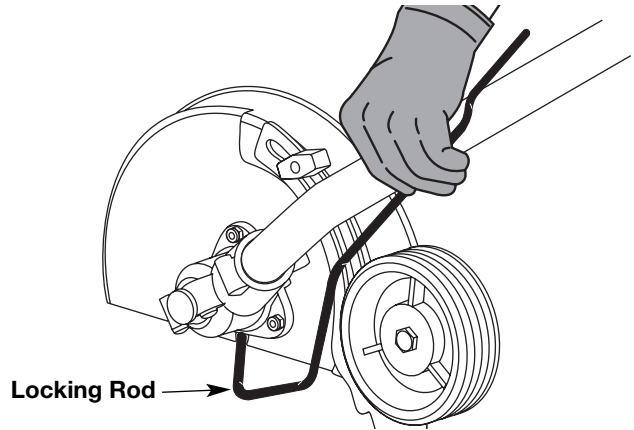


Fig. 8

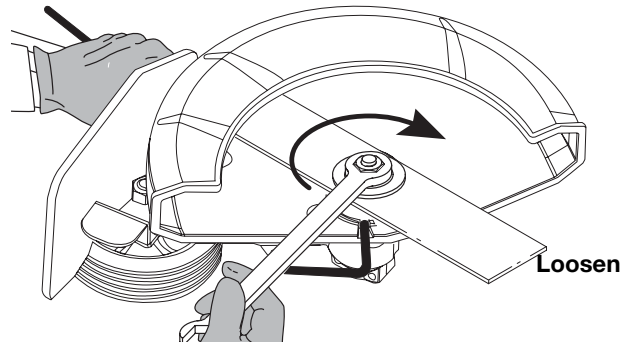


Fig. 9

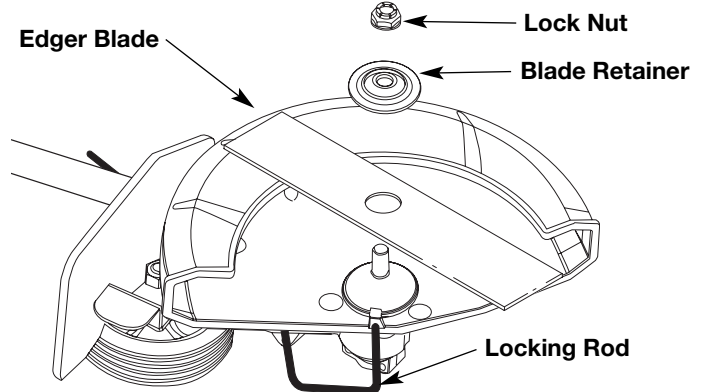


Fig. 10

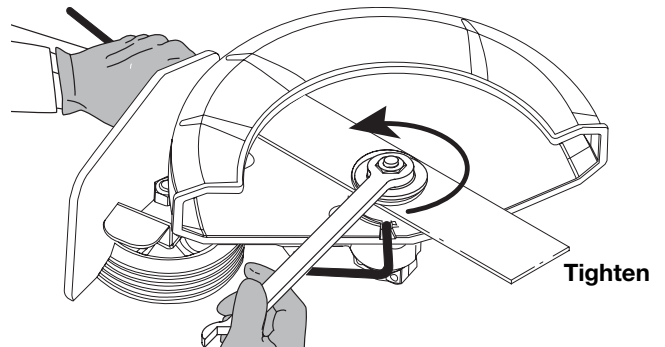


Fig. 11

MAINTENANCE AND REPAIR INSTRUCTIONS

STORAGE

- Check unit before storage to be sure the equipment is in safe working condition.
- Stop the engine or motor.
- Store the unit indoors, in a dry and locked place, out of the reach of children.
- Maintain or replace safety and instruction labels, as necessary.

For gas powerhead units:

- Allow the unit to cool before storing in any enclosure.
- Drain fuel from unit. Never store the unit with fuel in the fuel tank inside a building where ignition sources are present such as hot water and space heaters, clothes dryers, etc.

TRANSPORTING

- Allow the unit to cool before transporting.
- Secure the unit while transporting.

For gas powerhead units:

- Drain fuel from unit.
- Tighten fuel cap before transporting.

ACCESSORIES/REPLACEMENT PARTS

Blade791-613223B
Blade Retainer791-147490
Lock Nut791-147491

Use only original MTD replacement parts.

SPECIFICATIONS

EDGER ADD-ON

Unit Weight (Add-On only)	5.25 lbs. (2.36 kg.)
Cutting Depth (maximum)	2.5 in. (63.5 mm)
Wheel Diameter	3.75 in (95.25 mm)
Gearbox Ratio	1.23:1

MANUFACTURER'S LIMITED WARRANTY FOR:



The limited warranty set forth below is given by Troy-Bilt LLC with respect to new merchandise purchased and used in the United States, its possessions and territories.

Troy-Bilt LLC warrants this product against defects in material and workmanship for a period of two (2) years commencing on the date of original purchase and will, at its option, repair or replace, free of charge, any part found to be defective in material or workmanship. This limited warranty shall only apply if this product has been operated and maintained in accordance with the Operator's Manual furnished with the product, and has not been subject to misuse, abuse, commercial use, neglect, accident, improper maintenance, alteration, vandalism, theft, fire, water or damage because of other peril or natural disaster. Damage resulting from the installation or use of any accessory or attachment not approved by Troy-Bilt LLC for use with the product(s) covered by this manual will void your warranty as to any resulting damage. This warranty is limited to ninety (90) days from the date of original retail purchase for any Troy-Bilt product that is used for rental or commercial purposes, or any other income-producing purpose.

HOW TO OBTAIN SERVICE: Warranty service is available, WITH PROOF OF PURCHASE THROUGH YOUR LOCAL AUTHORIZED SERVICE DEALER. To locate the dealer in your area, visit our website at www.troybilt.com, check for a listing in the Yellow Pages, call 1 (866) 840-6483 or 1 (330) 558-7220 or write to P.O. Box 361131, Cleveland, OH 44136-0019.

This limited warranty does not provide coverage in the following cases:

- A. Tune-ups - Spark Plugs, Carburetor Adjustments, Filters
- B. Wear items - Bump Knobs, Outer Spools, Cutting Line, Inner Reels, Starter Pulley, Starter Ropes, Drive Belts
- C. Troy-Bilt LLC does not extend any warranty for products sold or exported outside of the United States of America, its possessions and territories, except those sold through Troy-Bilt's authorized channels of export distribution.

Troy-Bilt LLC reserves the right to change or improve the design of any Troy-Bilt Product without assuming any obligation to modify any product previously manufactured.

No implied warranty, including any implied warranty of merchantability or fitness for a particular purpose, applies after the applicable period of express written warranty above as to the parts as identified. No other express warranty or guaranty, whether written or oral, except as mentioned above, given by any person or entity, including a dealer or retailer, with respect to any product shall bind Troy-Bilt LLC. During the period of the Warranty, the exclusive remedy is repair or replacement of the product as set forth above. (Some states do not allow limitations on how long an implied warranty lasts, so the above limitation may not apply to you.)

The provisions as set forth in this Warranty provide the sole and exclusive remedy arising from the sales. Troy-Bilt LLC shall not be liable for incidental or consequential loss or damages including, without limitation, expenses incurred for substitute or replacement lawn care services, for transportation or for related expenses, or for rental expenses to temporarily replace a warranted product. (Some states do not allow limitations on how long an implied warranty lasts, so the above limitation may not apply to you.)

In no event shall recovery of any kind be greater than the amount of the purchase price of the product sold. Alteration of the safety features of the product shall void this Warranty. You assume the risk and liability for loss, damage, or injury to you and your property and/or to others and their property arising out of the use or misuse or inability to use the product.

This limited warranty shall not extend to anyone other than the original purchaser, original lessee or the person for whom it was purchased as a gift.

How State Law Relates to this Warranty: This warranty gives you specific legal rights, and you may also have other rights which vary from state to state.

To locate your nearest service dealer dial 1 (877) 282-8684

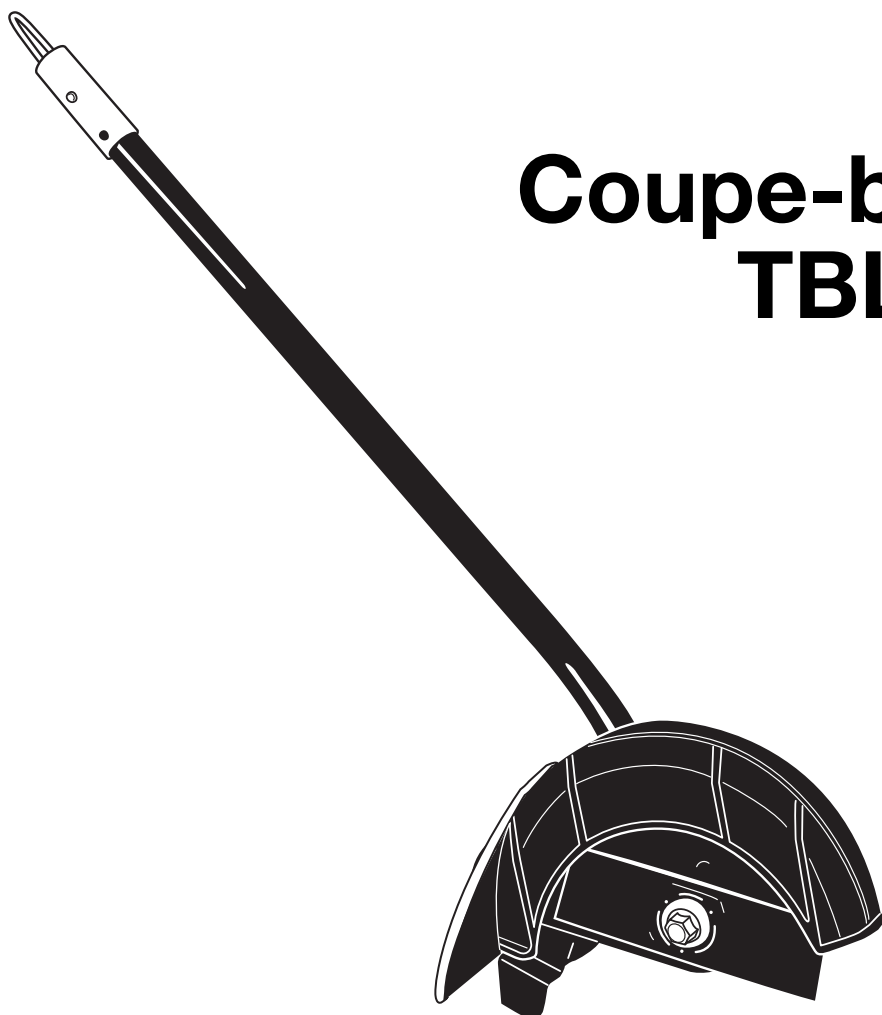
Troy-Bilt LLC

P.O. Box 361131

Cleveland, OH 44136-0019



Manuel de L'utilisateur



Coupe-bordure TBLE

IMPORTANT: LISEZ LES RÈGLES ET CONSIGNES DE SÉCURITÉ SOIGNEUSEMENT
TROY-BILT LLC, P.O. BOX 361131, CLEVELAND, OH 44136-0019

P/N 769-02496 (4/06)

INTRODUCTION

TOUS NOS REMERCIEMENTS

Nous vous remercions d'avoir acheté ce produit de qualité. Cet outil moderne de plein air est conçu pour vous rendre service pendant longtemps. Il vous sauvera beaucoup de temps comme vous pourrez vous en rendre compte. Ce manuel de l'utilisateur comporte un mode d'emploi facile à comprendre. Prenez soin de le lire au complet et de respecter toutes les instructions pour conserver votre outil en excellent état de fonctionnement.

RÉFÉRENCES, ILLUSTRATIONS ET SPÉCIFICATIONS RELATIVES AU PRODUIT

Toutes les informations, illustrations et spécifications contenues dans ce manuel tiennent compte des dernières informations techniques disponibles au moment de mettre sous presse. Nous nous réservons le droit de les modifier à tout moment, sans préavis.

Copyright ©2002 MTD SOUTHWEST INC
Tous droits réservés.

Troy-Bilt^{MD} est une marques déposées de
MTD SOUTHWEST INC

ENTRETIEN

L'entretien de cet appareil pendant et en dehors de la période de garantie devrait être réalisé par un concessionnaire agréé.

Téléphonez au :

- **1-330-558-7220**

ou

- **1-866-840-6483** pour obtenir une liste des concessionnaires agréés les plus proches.

**NE RETOURNEZ PAS L'APPAREIL CHEZ LE
DETAILLANT.**

**REMARQUE : FACTURE D'ACHAT EXIGÉE
POUR LE SERVICE SOUS GARANTIE.**

**Prenez soin de lire et de bien comprendre ce manuel
avant de démarrer ou de faire fonctionner cet équipement.**

CE PRODUIT EST COUVERT PAR UN OU PLUSIEURS
BREVETS AMÉRICAINS, ET D'AUTRES SONT EN INSTANCE.

TABLE DES MATIÈRES

I.	Consignes de sécurité	F3-F6
	A. Importantes consignes de sécurité	F3-F4
	B. Symboles de sécurité et internationaux	F5
	C. Familiarisez-vous avec votre appareil	F6
II.	Mode d'emploi	F7-F8
	A. Montage du coupleur	F7
	B. Tenue de l'appareil avec l'accessoire de coupe-bordure	F8
	C. Réglage de la profondeur de coupe	F8
	D. Conseils pour une bonne coupe de bordure	F8
III.	Entretien et réparations	F9-F10
	A. Remplacement de la lame du coupe-bordure	F9
	B. Entreposage	F10
	C. Transport	F10
	D. Accessoires/Pièces de rechange	F10
IV.	Caractéristiques	F11
V.	Garantie	F12

CONTENU DE L'EMBALLAGE

Cet appareil comporte les éléments suivants :

- Accessoire de coupe-bordure TBLE
- Tige de blocage
- Crochet
- Manuel de l'utilisateur
- Carte d'enregistrement du produit

REMARQUE : ce produit est prévu pour être utilisé sur
une tête d'entraînement à gaz ou électrique.

AVERTISSEMENT !

**Lisez le(s) manuel(s) de l'utilisateur et suivez tous les
avertissements et consignes de sécurité. Vous pourriez
à défaut entraîner des blessures graves pour vous ou
d'autres personnes.**

CONSIGNES DE SÉCURITÉ

Les symboles de sécurité attirent votre attention sur des dangers potentiels. Ces symboles et leurs détails explicatifs méritent que vous les lisiez et compreniez bien. Les avertissements de sécurité ne peuvent éviter les dangers de par eux-mêmes. Les consignes ou mises en garde qu'ils donnent ne remplacent pas des mesures préventives appropriées contre les accidents.

SYMBOLE SIGNIFICATION



SYMBOLE ALERTE DE SÉCURITÉ : Indique un danger, un avertissement ou une mise en garde. Soyez vigilant afin d'éviter toute blessure grave. Ce symbole peut être combiné à d'autres symboles ou pictogrammes.

REMARQUE : Donne des informations ou des instructions vitales pour le fonctionnement ou l'entretien de l'équipement.



DANGER : Le non-respect d'un avertissement peut causer dommages matériels ou blessures graves pour tous. Respectez les consignes de sécurité afin de réduire les risques d'incendie, d'électrocution et de blessures.



AVERTISSEMENT : Le non-respect d'un avertissement peut causer dommages matériels ou blessures graves pour tous. Respectez les consignes de sécurité afin de réduire les risques d'incendie, d'électrocution et de blessures.



MISE EN GARDE : Le non-respect d'un avertissement peut causer dommages matériels ou blessures graves pour tous. Respectez toujours les consignes de sécurité afin de réduire les risques d'incendie, d'électrocution et de blessures.

• IMPORTANTES CONSIGNES DE SÉCURITÉ •

LISEZ TOUTES LES INSTRUCTIONS



AVERTISSEMENT : suivez soigneusement les consignes de sécurité lorsque vous utilisez cet appareil. Dans l'intérêt de votre sécurité et de celle des personnes à proximité, prenez soin de lire ces instructions avant de faire fonctionner la machine. Veuillez garder les instructions en lieu sûr pour usage ultérieur.

AVANT L'UTILISATION

- Prenez soin de bien lire et comprendre le manuel de l'appareil qui alimente cet accessoire.
- Veuillez lire le manuel de l'utilisateur attentivement. Familiarisez-vous avec les commandes et l'utilisation correcte de l'appareil. Sachez comment arrêter l'appareil et désactiver les commandes rapidement.
- N'utilisez pas l'appareil si vous êtes fatigué, malade ou sous l'effet de l'alcool, de drogues ou de médicaments.
- Ne laissez pas les enfants faire fonctionner l'appareil. Ne laissez jamais des adultes qui ne se sont pas familiarisés avec les instructions utiliser l'appareil. Ne laissez jamais des adultes n'ayant jamais reçu les instructions nécessaires faire fonctionner l'appareil.
- Tous les accessoires de sécurité et protections doivent être correctement installés avant d'utiliser cet appareil.
- Inspectez l'appareil avant utilisation. Assurez-vous que la lame est bien mise.
- Dégagez la zone de coupe avant chaque usage. Enlevez tous les objets pouvant être projetés ou happés par l'accessoire de coupe : cailloux, verre brisé, clous, fil ou ficelle.

AVERTISSEMENTS SPÉCIAUX DE SÉCURITÉ POUR DÉSHERBEUSES À ESSENCE ET COUPE-BORDURES



AVERTISSEMENT : l'essence est extrêmement inflammable et ses vapeurs peuvent exploser si on y met le feu. Veuillez prendre les précautions suivantes :

- Ne stockez le carburant que dans des contenants conçus et homologués pour stocker ces matières.

- Arrêtez toujours le moteur et laissez-le refroidir avant de remplir le réservoir. N'enlevez jamais le bouchon du réservoir et n'ajoutez jamais de carburant alors que le moteur est chaud. Ne faites jamais marcher l'appareil sans que le bouchon soit bien mis. Desserrez celui-ci lentement afin de réduire la pression du réservoir.
- Mélangez et ajoutez le carburant dans un endroit aéré et propre, en plein air, à l'abri des étincelles ou des flammes. N'enlevez lentement le bouchon du réservoir d'essence qu'après avoir arrêté le moteur. Ne fumez pas pendant le remplissage ou le mélange de carburant. Essayez immédiatement tout déversement.
- Évitez de mettre le feu au carburant déversé. Ne démarrez pas le moteur avant que les vapeurs de carburant ne se soient dissipées.
- Éloignez l'appareil d'au moins 9,1 m (30 pi) de la source et du site de ravitaillement en carburant avant de démarrer le moteur. Ne fumez pas et éloignez toute source d'étincelles ou de flammes vives du lieu de ravitaillement ou de fonctionnement de l'appareil.
- Évitez de démarrer ou de faire marcher l'appareil à l'intérieur d'une pièce ou d'un bâtiment fermé. La respiration de fumées d'échappement peut tuer. Ne faites marcher l'appareil qu'à l'extérieur, dans un lieu aéré.

AVERTISSEMENTS DE SÉCURITÉ SPÉCIAUX POUR DÉSHERBEUSES ÉLECTRIQUES ET COUPE-BORDURES

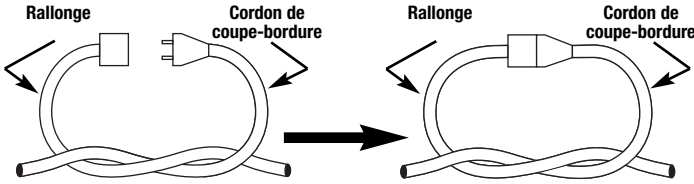


AVERTISSEMENT : afin de diminuer les risques de choc électrique, utilisez uniquement des rallonges à prise ronde, homologuées pour l'usage à l'extérieur, de type SW-A, SOW-A, STW-A, STOW-A, SJW-A, SJOW-A, SJTW-W ou SJTOW-A. Vous pourrez vous en procurer chez votre détaillant.

- **CORDONS** : assurez-vous que votre cordon est en bon état et assez solide pour transporter le courant nécessaire à l'appareil. Il peut provoquer sinon une chute de tension entraînant une panne de courant et une surchauffe. Reportez-vous au calibre de cordon recommandé dans le manuel de l'utilisateur.
- Inspectez souvent les rallonges et la connexion d'alimentation. Relevez tout signe de détérioration, coupures ou fissures dans l'isolation. Vérifiez que les connexions ne sont ni endommagées ni défectueuses, et remplacez les cordons le cas échéant.

CONSIGNES DE SÉCURITÉ

- Évitez que la tête d'entraînement de coupe-bordure ne se déconnecte de la rallonge en utilisant une sangle de fixation ou un connecteur de retenue de la fiche et de la prise, ou en faisant un nœud comme indiqué ci-dessous :



- Évitez les lieux dangereux. N'utilisez jamais l'appareil dans des conditions humides ou mouillées. L'humidité peut provoquer l'électrocution.
- N'utilisez pas l'appareil sous la pluie. Ne l'utilisez pas à proximité de l'eau.
- Ne manipulez pas la prise ou l'appareil les mains mouillées ou debout sur une surface mouillée.
- Ne laissez pas l'appareil branché quand il ne sert pas, pendant un entretien ou un changement d'accessoire.

PENDANT L'UTILISATION DE L'APPAREIL

- Tenez les visiteurs, surtout les enfants et les animaux ft familiers à une distance d'au moins 15 m (50 pi).
- Portez des lunettes de sécurité conformes aux normes ANSI Z87.1 ainsi que des protège-oreilles durant l'utilisation de l'appareil. Portez un masque facial ou antipoussières si vous travaillez dans un lieu poussiéreux.
- Portez des pantalons épais et longs, des bottes, des gants et une chemise à manches longues. Ne marchez pas pieds nus et évitez les vêtements lâches, bijoux, pantalons courts et sandales. Relevez les cheveux au-dessus des épaules.
- N'utilisez l'appareil qu'en plein jour ou avec un bon éclairage artificiel.
- Utilisez les outils appropriés. N'employez l'outil que pour son usage prévu.
- Ne forcez pas l'appareil. Il fonctionnera mieux et posera moins de risques de blessures à la vitesse pour laquelle il a été conçu.
- Soyez très prudent lorsque vous faites marche arrière ou que vous tirez l'appareil vers vous.
- Ne vous étirez pas et faites très attention lorsque vous travaillez sur des pentes ou inclinaisons abruptes. Tenez-vous toujours bien campé, en position d'équilibre.
- Tenez toujours l'appareil des deux mains lorsqu'il est en marche. Agrippez fermement les poignées avant et arrière.
- Gardez les mains, le visage et les pieds éloignés des pièces mobiles. Ne touchez pas et n'essayez pas d'arrêter la lame en rotation. Ne faites pas fonctionner l'appareil sans les protections.
- La lame continue de tourner à vide une fois le moteur éteint et peut causer des blessures graves. Gardez le contrôle jusqu'à ce qu'elle soit immobilisée.
- Arrêtez toujours l'appareil si vous suspendez la coupe ou si vous vous déplacez d'un lieu de travail vers un autre.
- Arrêtez le moteur en cas d'entretien, de réparation, d'installation ou de retrait de la lame. L'appareil et la lame doivent être arrêtés pour éviter toute blessure.

- La lame peut devenir très aiguisée à l'usage. Portez toujours des gants lorsque vous manipulez, retirez, installez ou nettoyez la lame.
- Si vous heurtez ou happez un corps étranger, arrêtez le moteur immédiatement et vérifiez que rien n'a été endommagé. Réparez tout dommage éventuel avant de poursuivre le travail. N'utilisez pas l'appareil si la lame est tordue, fendillée ou émoussée. Jetez toute lame tordue, fendillée ou émoussée.
- Arrêtez le moteur IMMÉDIATEMENT si vous ressentez une vibration excessive car cela indique un problème. Vérifiez qu'il n'y a ni écrous ni boulons desserrés, ni aucun dommage avant de continuer. Réparez ou remplacez les pièces affectées au besoin.
- Arrêtez et éteignez l'appareil dans ces cas-ci : entretien, réparation, changement d'accessoires ou autres.
- Gardez l'appareil exempt d'accumulation de végétation ou autres matières. Celles-ci peuvent rester logées entre la lame, la boîte d'engrenages ou le protecteur.
- La lame continue de tourner à vide une fois l'appareil éteint et peut causer des blessures. Gardez le contrôle jusqu'à ce qu'elle soit immobilisée.
- N'utilisez que des pièces de rechange et accessoires d'usine pour cet appareil. Ils sont disponibles auprès de votre concessionnaire agréé. L'utilisation de toutes pièces ou de tous accessoires non-autorisés peut entraîner des blessures graves ou des dommages à l'appareil et l'annulation de votre garantie.

ENTRETIEN ET ENTREPOSAGE

- Laissez le moteur se refroidir avant de l'entreposer ou de le transporter. Attachez bien l'appareil pendant le transport.
- Rangez l'appareil dans un endroit verrouillé et sec, ou élevé et sec, hors de portée des enfants, pour éviter une utilisation indésirable ou un accident.
- Nettoyez la lame en l'arrosant d'eau avec un tuyau. Essuyez ensuite la lame avec une huile mécanique légère pour éviter la rouille.
- Ne trempez et n'arrosez jamais l'appareil avec de l'eau ou tout autre liquide. Gardez les poignées sèches, propres et exemptes de débris. Nettoyez après chaque usage. Voir les sections Nettoyage et Entreposage.
- Conservez ces instructions. Consultez-les souvent et servez-vous en pour instruire d'autres usagers. Si vous prêtez l'appareil à quelqu'un, prêtez-lui également ces instructions.
- Les réparations ou les procédures d'entretien qui ne sont pas décrites dans le manuel doivent être strictement confiées à des techniciens qualifiés.
- Vérifiez à intervalles fréquents que les boulons des forces à tondre et les boulons de montage du moteur et autres sont bien serrés afin de vous assurer que l'équipement fonctionne correctement.
- À l'intérieur d'un bâtiment, rangez l'appareil à l'écart des sources d'allumage. Laissez le moteur refroidir avant de l'entreposer dans une enceinte.
- Consultez toujours les instructions du mode d'emploi pour des renseignements importants si vous allez ranger le coupe-bordure pour une période prolongée.
- N'essayez pas de réparer l'appareil à moins de disposer des outils appropriés et des instructions de démontage et de réparation de la machine.

CONSERVEZ CES INSTRUCTIONS

CONSIGNES DE SÉCURITÉ

SYMBOLES DE SÉCURITÉ ET INTERNATIONAUX

Ce manuel de l'utilisateur décrit les symboles et pictogrammes de sécurité et internationaux pouvant apparaître sur ce produit. Consultez le manuel de l'utilisateur pour les informations concernant la sécurité, le montage, le fonctionnement, l'entretien et les réparations.

SYMBOLE

SIGNIFICATION



- **SYMBOLE ALERTE DE SÉCURITÉ**

Indique un danger, un avertissement ou une mise en garde. Ce symbole peut être combiné à d'autres symboles ou pictogrammes.



- **AVERTISSEMENT - LISEZ LE MANUEL DE L'UTILISATEUR**

Lisez le manuel de l'utilisateur et suivez tous les avertissements et consignes de sécurité. Vous pourriez à défaut entraîner des blessures graves pour vous ou d'autres personnes.



- **PORTEZ DES PROTECTIONS (YEUX ET OREILLES)**

AVERTISSEMENT : les outils électriques peuvent projeter des objets et faire beaucoup de bruit, ce qui peut gravement blesser les yeux et endommager l'ouïe. Portez toujours des lunettes de sécurité conformes aux normes ANSI Z87.1 ainsi que des protège-oreilles durant l'utilisation de l'appareil. Protégez-vous le visage avec un masque intégral au besoin.



- **ÉLOIGNEZ LES SPECTATEURS**

AVERTISSEMENT : éloignez tout spectateur, les enfants et les animaux domestiques en particulier, d'au moins 15 m (50 pi) de la zone de coupe.



- **LES OBJETS PROJÉTÉS PEUVENT PROVOQUER DES BLESSURES GRAVES**

AVERTISSEMENT : ne faites pas fonctionner l'appareil sans les accessoires et protections nécessaires.



- **LAME AIGUISÉE**

AVERTISSEMENT : le protecteur d'accessoire de coupe comporte une lame aiguisée. Ne touchez pas la lame pour éviter des blessures graves.

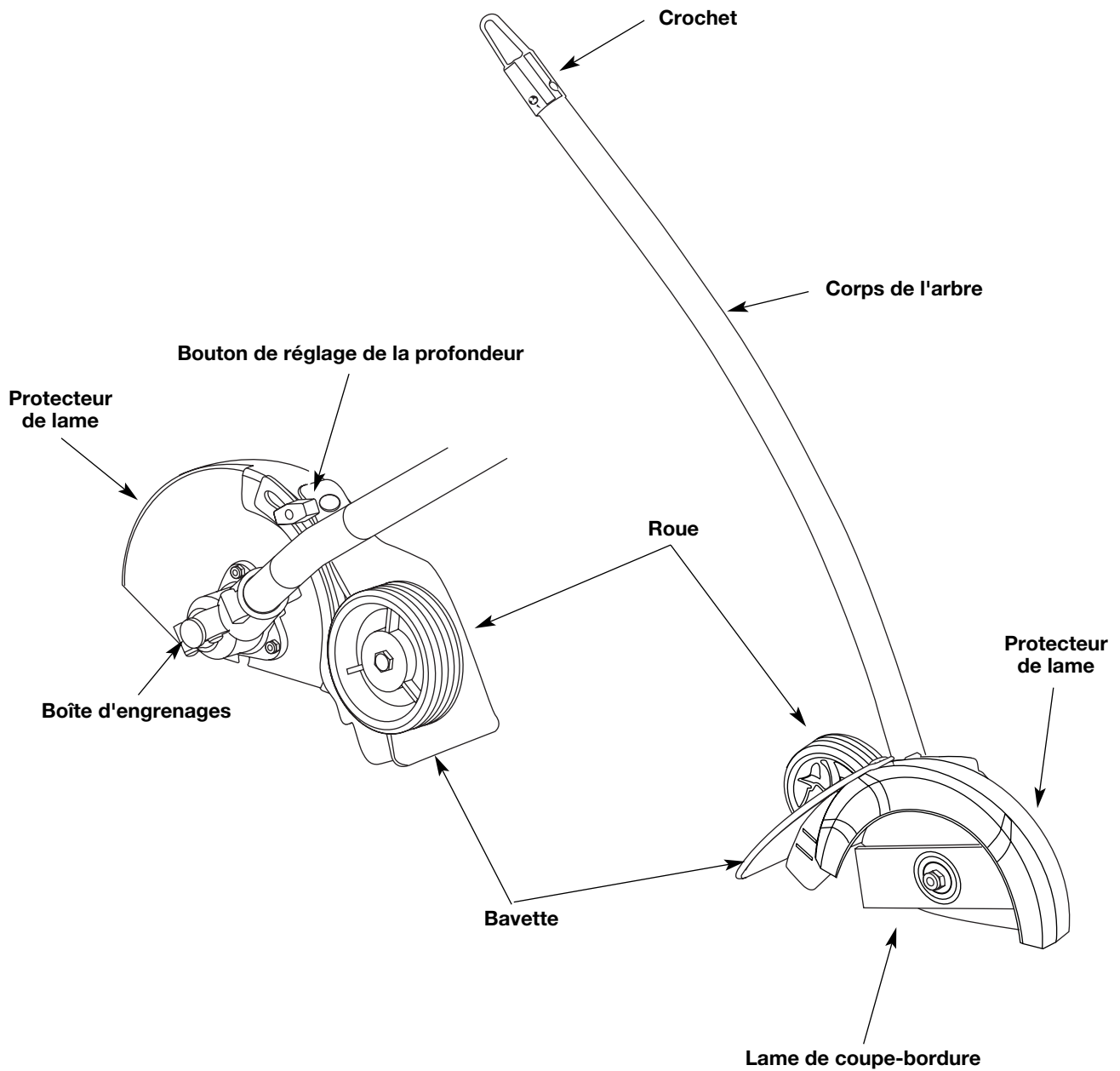
CONSIGNES DE SÉCURITÉ

FAMILIARISEZ-VOUS AVEC VOTRE APPAREIL

APPLICATIONS

Avec l'accessoire de coupe-bordure :

- Coupe de bordures le long de chemins, passages, lieux rocailleux, etc.



MODE D'EMPLOI

TENUE DE L'APPAREIL AVEC COUPE-BORDURE



AVERTISSEMENT : portez toujours des protections (yeux, oreilles, pieds et corps) pour diminuer les risques de blessures durant l'utilisation de l'appareil.

Avant de faire marcher l'appareil, tenez-vous en position de fonctionnement (Figs. 4 & 5). Vérifiez les points suivants :

- L'opérateur porte une visière et des vêtements appropriés.
- Le bras droit est légèrement plié et la main tient l'arbre par sa prise.
- Le bras gauche est droit et la main tient la poignée.
- L'appareil est à hauteur de ceinture.
- La roue du coupe-bordure est réglée à la profondeur de coupe appropriée et le coupe-bordure est placé comme indiqué à la Figs. 4 and 5.

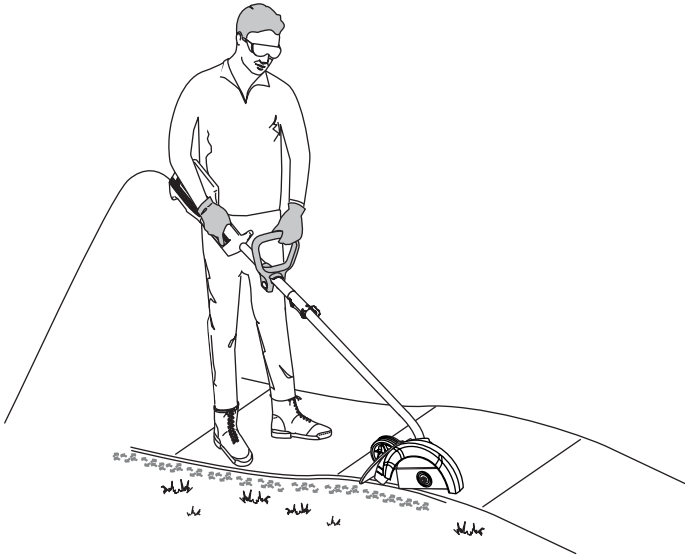


Fig. 4

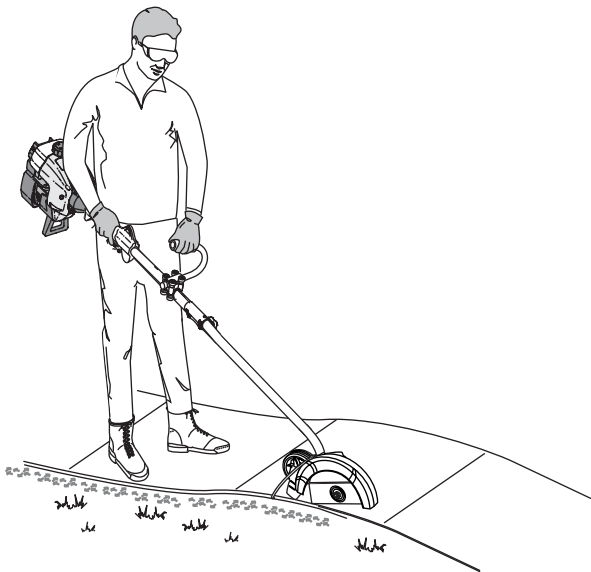


Fig. 5

RÉGLAGE DE LA PROFONDEUR DE COUPE

1. Desserrez le bouton de réglage au-dessus de la roue (Fig. 6).
2. Glissez la roue à la position voulue.
 - Soulevez-la pour accroître la profondeur de coupe.
 - Baissez-la pour réduire la profondeur de coupe.
3. Vissez bien le bouton de réglage.

Bouton de réglage de la profondeur

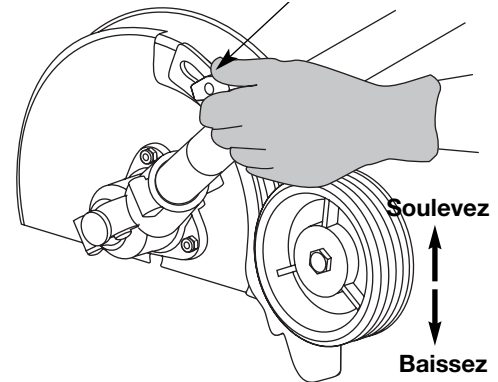


Fig. 6

CONSEILS POUR UNE BONNE COUPE DE BORDURE

- Tenez l'accessoire de coupe perpendiculaire au sol.
- Ne forcez pas le coupe-bordure. Coupez la première fois à faible profondeur puis une seconde fois plus profondément.
- Déplacez le coupe-bordure lentement, à pas réguliers.
- Vérifiez l'état de la lame car elle se rapetisse avec l'usure et perd de sa profondeur de coupe. Remplacez-la au besoin.

ENTRETIEN ET RÉPARATIONS

REPLACEMENT DE LA LAME



AVERTISSEMENT : pour éviter des blessures graves, portez toujours des gants pour manipuler, retirer ou installer la lame.



AVERTISSEMENT : le boîtier d'engrenages devient chaud après une utilisation prolongée. Pour éviter des blessures graves, ne le touchez pas jusqu'à ce qu'il ait refroidi.

1. Alignez le trou de l'arbre de sortie avec la fente de la tige de blocage. Insérez la tige de blocage à travers la fente et dans le trou de l'arbre de sortie (Fig. 7).
2. Maintenez la tige de blocage en place en la saisissant près du bras de l'appareil (Fig. 8).
3. Tenez la tige de blocage et desserrez l'écrou de la lame en le tournant **à droite** avec une clé de 5/8" (Fig. 9). Retirez l'écrou, la rondelle de retenue et la lame. Conservez l'écrou et la retenue de lame pour l'installation.
4. Installez la nouvelle lame, sa retenue et l'écrou (Fig. 10). Insérez la tige de blocage à travers la fente et dans le trou de l'arbre de sortie. Veillez à ce que la lame reste à plat et centrée contre l'arbre de sortie pendant que vous vissez l'écrou de blocage vers la **gauche** (Fig. 11).
5. Si vous possédez une clé dynamométrique, serrez l'écrou à un couple de **37-38 N•m (325-335 po•lb)** tout en maintenant la tige de blocage dans la fente.

Si vous n'en disposez pas, maintenez la tige de blocage dans la fente. Utilisez une clé fermée ou à douille de 5/8" pour tourner l'écrou **à gauche** jusqu'à ce qu'il soit bien ajusté contre la rondelle et que la lame soit bien mise. Assurez-vous que la lame est bien mise, puis donnez à l'écrou **1/4 ou 1/2 tour** supplémentaire (Fig. 11).

6. Retirez la tige de blocage.



AVERTISSEMENT : vérifiez que la lame est bien à plat contre l'arbre de sortie une fois l'écrou vissé. Si elle est décentrée, l'appareil sera endommagé par les vibrations et la lame pourrait s'envoler, ce qui causerait des blessures graves.

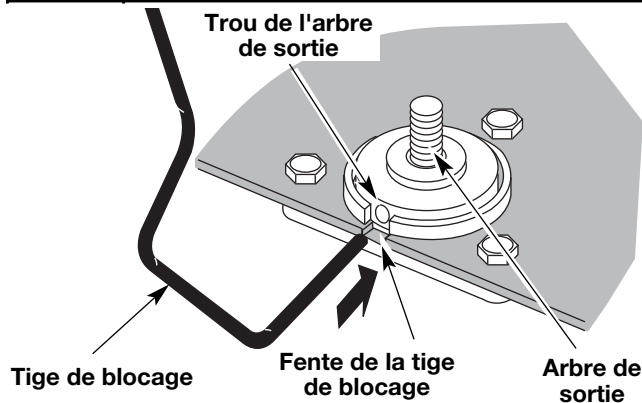


Fig. 7

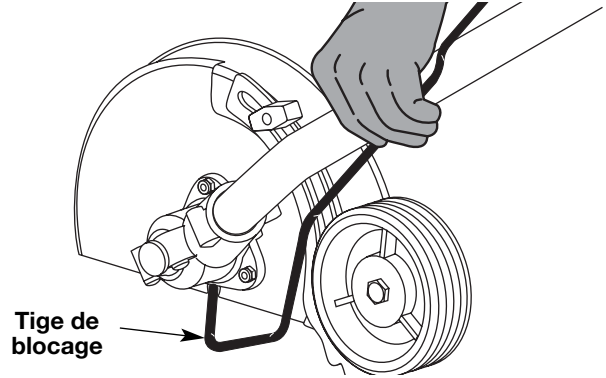


Fig. 8

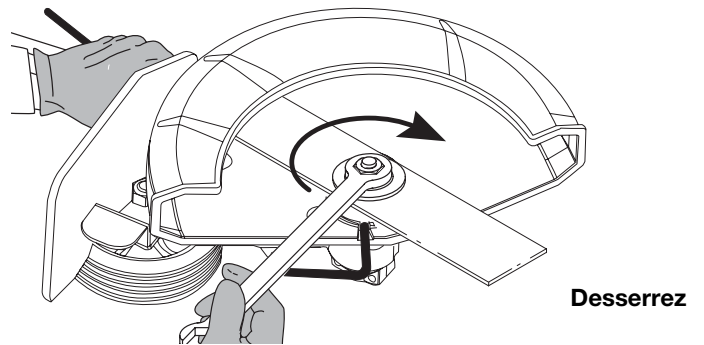


Fig. 9

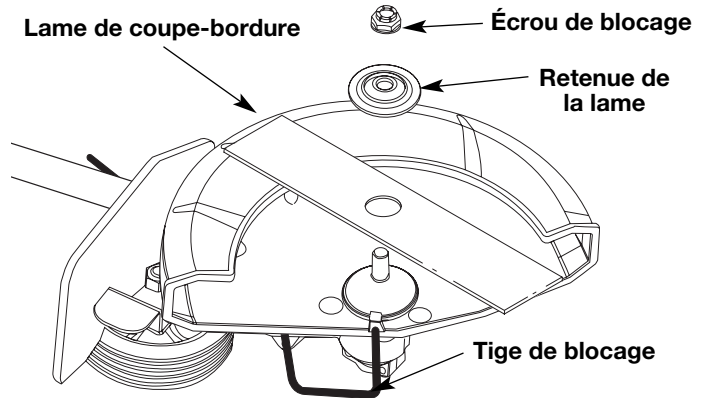


Fig. 10

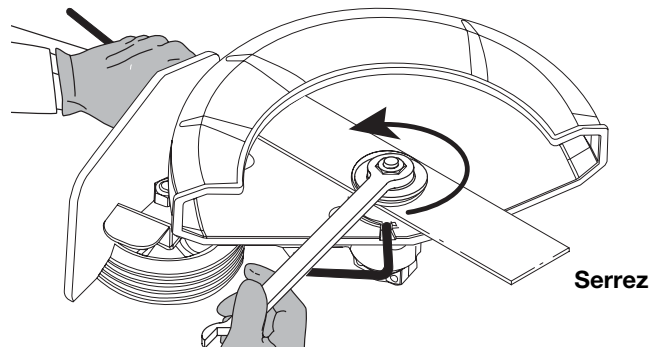


Fig. 11

ENTRETIEN ET RÉPARATIONS

ENTREPOSAGE

- Vérifiez l'appareil avant de le ranger pour vous assurer qu'il est en bon état de fonctionnement.
- Arrêtez le moteur.
- Rangez l'appareil à l'intérieur, dans un endroit sec et verrouillé, hors de portée des enfants.
- Conservez les étiquettes de sécurité et d'utilisation ou remplacez-les au besoin.

Pour les unités à tête d'entraînement à gaz :

- Laissez l'appareil se refroidir avant de l'entreposer dans une enceinte.
- Vidangez tout le carburant de l'appareil. Ne rangez jamais l'appareil avec du carburant dans le réservoir à l'intérieur d'un bâtiment où se trouvent des sources potentielles d'allumage tels que des radiateurs à eau chaude ou indépendants, des sècheuses, etc.

TRANSPORT

- Laissez le moteur se refroidir avant de l'entreposer.
- Attachez bien l'appareil lors du transport.

Pour les unités à tête d'entraînement à gaz :

- Videz tout le carburant de l'appareil.
- Serrez le bouchon du réservoir avant le transport.

ACCESSOIRES/PIÈCES DE RECHANGE

Lame de coupe-bordure	791-613223B
Retenue de la lame	791-147490
Écrou de blocage	791-147491

N'utilisez que des pièces de rechange et accessoires d'usine pour cet appareil.

CARACTÉRISTIQUES

ACCESSOIRE DE COUPE-BORDURE

Poids de l'appareil (accessoire seulement)	2,36 kg (5,25 lb)
Profondeur de coupe (maximum)	63,5 mm (2,5 po)
Diamètre de la roue	95,25 mm (3,75 po)
Rapport de la boîte d'engrenage	1.23:1

GARANTIE LIMITÉE DU FABRICANT POUR:



La garantie limitée énoncée ci-après est accordée par Troy-Bilt LLC et concerne les marchandises neuves achetées et utilisées aux États-Unis, ses possessions et territoires.

Troy-Bilt LLC garantit ce produit contre tout vice de matière ou de façon pendant une période de deux (2) ans à compter de la date d'achat initiale et elle se réserve le choix de réparer ou de remplacer, à titre gratuit, toute pièce présentant un vice de matière ou de façon. Cette garantie limitée ne s'appliquera que dans la mesure où le produit aura été utilisé et entretenu conformément au Manuel de l'utilisateur fourni avec le produit et n'aura pas fait l'objet d'un usage inadéquat, abusif, commercial ou négligent, d'un accident, d'un entretien inadéquat, d'une modification, de vandalisme, d'un vol, d'un incendie, de dégâts d'eau ou d'un endommagement résultant d'un autre péril ou d'un désastre naturel. Les dommages résultants de l'installation ou de l'utilisation de tout accessoire ou équipement non approuvé par Troy-Bilt pour une utilisation avec le(s) produit(s) couvert(s) par le présent manuel annuleront la garantie en ce qui concerne les dommages qui en résulteraient éventuellement. La présente garantie est limitée à quatre-vingt-dix (90) jours à compter de la date d'achat au détail initiale pour tout produit Troy-Bilt utilisé à des fins locatives ou commerciales, ou toute utilisation produisant des revenus.

POUR L'OBTENTION DU SERVICE DE GARANTIE : le service au titre de la garantie est disponible, SUR PRÉSENTATION D'UNE PREUVE D'ACHAT, AUPRÈS DU DISTRIBUTEUR AGRÉÉ LOCAL. Pour trouver un distributeur dans votre région, visitez notre site Web www.troybilt.com, consultez les Pages Jaunes, appelez le 1 (866) 840-6483 ou le 1 (330) 558-7220 ou écrivez à l'adresse P.O. Box 361131, Cleveland, OH 44136-0019.

La garantie limitée n'offre aucune couverture dans les cas suivants :

- A. Mises au point : bougies, réglages de carburateur, filtres
- B. Éléments pouvant s'user : boutons de butée, bobines extérieures, fil de coupe, moulins intérieurs, poulie du démarreur, cordons de démarrage, courroies d'entraînement
- C. Troy-Bilt LLC n'accorde aucune garantie pour les produits vendus ou exportés des États-Unis d'Amérique, de leurs possessions et territoires, exception faite en ce qui concerne les produits vendus par l'intermédiaire de ses canaux agréés de distribution à l'exportation.

Troy-Bilt LLC se réserve le droit de modifier ou d'améliorer la conception de ses produits sans pour autant assumer l'obligation de modifier tout produit d'une fabrication plus ancienne.

Aucune garantie implicite, y compris toute garantie de valeur marchande ou d'adaptation à une fin particulière, ne s'applique après la période applicable de garantie expresse écrite ci-dessus concernant les pièces qui sont identifiées. Aucune autre garantie ou caution expresse, écrite ou orale, à l'exception de celle mentionnée ci-dessus, accordée par toute personne ou entité, y compris tout distributeur ou détaillant, concernant tout produit n'engagera la responsabilité de Troy-Bilt LLC. Pendant la période de garantie, le recours exclusif est la réparation ou le remplacement du produit dans les conditions énoncées ci-dessus. (Certains états ne permettent pas la limitation de la garantie implicite, il est donc possible que la limitation ci-dessus ne s'applique pas à vous.)

Les clauses énoncées dans la présente Garantie constituent le recours unique et exclusif inhérent aux ventes. Troy-Bilt LLC ne sera en aucun cas tenue pour responsable de tout dommage indirect ou consécutif ou de dommages comprenant, entre autres, les dépenses encourues du fait du recours à des services de remplacement ou de substitution pour l'entretien des pelouses, le transport ou des frais connexes, ou les frais entraînés par une location destinée à remplacer provisoirement un produit sous garantie. (Certains états ne permettent pas la limitation de la garantie implicite, il est donc possible que la limitation ci-dessus ne s'applique pas à vous.)

Aucun recouvrement, quel qu'il soit, ne sera d'un montant supérieur au prix du produit vendu. Toute modification des dispositifs de sécurité du produit annulera la présente Garantie. Vous assumez tout risque et toute responsabilité résultant de la perte, de l'endommagement ou du préjudice que vous et votre propriété et/ou d'autres et leur propriété pourront encourir d'un fait de l'utilisation normale, de la mauvaise utilisation ou de l'incapacité d'utiliser le produit.

La présente garantie limitée n'est accordée qu'à l'acheteur initial, au preneur initial ou à la personne à laquelle le produit a été offert.

Le Droit des États vis à vis de la présente garantie : la présente garantie vous confère certains droits juridiques et vous pouvez bénéficier d'autres droits lesquels varient d'un état à l'autre.

Pour obtenir l'adresse du distributeur réparateur le plus proche, composez le :1 (877) 282-8684.

Troy-Bilt LLC

P.O. Box 361131

Cleveland, OH 44136-0019



Manual Del Operador



Recortador de bordes TBLE

IMPORTANTE: LEA LAS REGLAS DE SEGURIDAD E INSTRUCCIONES DETENIDAMENTE
TROY-BILT LLC, P.O. BOX 361131, CLEVELAND, OH 44136-0019

P/N 769-02496 (4/06)

INTRODUCCIÓN

MUCHAS GRACIAS

Gracias por haber adquirido este gran producto. Esta moderna herramienta motriz para exteriores está diseñada para brindarle muchas horas de servicio útil. Usted comprobará que es un artefacto que le ahorrará mucho trabajo. Este manual del operador le brinda instrucciones de operación de fácil comprensión. Lea todo el manual y siga todas las instrucciones para mantener su nueva herramienta motriz para exteriores en las mejores condiciones de funcionamiento.

REFERENCIAS, ILUSTRACIONES Y ESPECIFICACIONES DEL PRODUCTO

Toda la información, las ilustraciones y las especificaciones contenidas en este manual se basan en la información más reciente disponible en el momento de impresión del manual. Nos reservamos el derecho de hacer cambios en cualquier momento sin previo aviso.

Copyright© 2002 MTD SOUTHWEST INC
Reservados todos los derechos.

Troy-Bilt® es una marca registrada de
MTD SOUTHWEST INC

INFORMACIÓN SOBRE SERVICIOS

El servicio a esta unidad, tanto en el período de garantía como después del mismo, deberá ser realizado por un proveedor de servicio autorizado y aprobado.

Llame al:

- **1-330-558-7220**

O bien, al

- **1-866-840-6483** para obtener la lista de los proveedores de servicio autorizados cerca de usted.

NO DEVUELVA LA UNIDAD AL COMERCIO.

NOTA: SE REQUERIRÁ PRUEBA DE COMPRA PARA EL SERVICIO DE GARANTÍA.

Antes de arrancar u operar este equipo, asegúrese de leer y comprender bien este manual.

ESTE PRODUCTO ESTÁ CUBIERTO POR UNA Ó MÁS PATENTES DE EE.UU. OTRAS PATENTES EN TRÁMITE.

ÍNDICE DE CONTENIDO

I.	Normas para una operación segura	E3-E6
	A. Importante información de seguridad	E3-E4
	B. Símbolos de seguridad e internacionales	E5
	C. Conozca su unidad	E6
II.	Instrucciones de operación	E7-E8
	A. Ensamblaje del acoplador	E7
	B. Cómo sostener la unidad con el accesorio recortador de bordes	E8
	C. Ajuste de la profundidad de corte del recortador de bordes	E8
	D. Consejos para lograr mejores resultados con el recortador de bordes	E8
III.	Instrucciones de mantenimiento y reparación	E9-E10
	A. Cambio de la cuchilla del recortador de bordes	E9
	B. Almacenamiento	E10
	C. Transporte	E10
	D. Accesorios / piezas de repuesto	E10
IV.	Especificaciones	E11
V.	Garantía	E12

CONTENIDO DE LA CAJA

Esta unidad debe consistir en lo siguiente:

- Accesorio recortador de bordes TBLE
- Varilla de cierre
- Suspensor
- Manual del operador
- Tarjeta de registro del producto

NOTA: Este producto ha sido evaluado para uso tanto con cabezales a gasolina como eléctricos.

¡ADVERTENCIA!

Lea el manual del operador y siga todas las advertencias e instrucciones de seguridad. De no hacerlo, el operador y/o los espectadores pueden sufrir graves lesiones.

NORMAS PARA UNA OPERACIÓN SEGURA

Los símbolos de seguridad se utilizan para llamar su atención sobre posibles peligros. Los símbolos de seguridad y sus explicaciones merecen toda su atención y comprensión. Los símbolos de seguridad no eliminan ningún peligro por sí mismos. Las instrucciones o advertencias que ofrecen no substituyen las medidas adecuadas de prevención de accidentes.

SÍMBOLO SIGNIFICADO



SÍMBOLO DE ALERTA DE SEGURIDAD:

Indica peligro, advertencia o precaución. Debe prestar atención para evitar sufrir lesiones personales graves. Puede utilizarse junto con otros símbolos o figuras.

NOTA: Le ofrece información o instrucciones que son esenciales para la operación o mantenimiento del equipo.



PELIGRO: El no obedecer una advertencia de seguridad puede conducir a que usted u otras personas sufran graves lesiones. Siga siempre las precauciones de seguridad para reducir el riesgo de incendio, descarga eléctrica y lesiones personales.



ADVERTENCIA: El no seguir una advertencia de seguridad puede conducir a que usted u otras personas sufran lesiones. Siga siempre las precauciones de seguridad para reducir el riesgo de incendio, descarga eléctrica y lesiones personales.



PRECAUCIÓN: El no seguir una advertencia de seguridad puede conducir a daño patrimonial o a que usted u otras personas sufran lesiones personales. Siga siempre las precauciones de seguridad para reducir el riesgo de incendio, descarga eléctrica y lesiones personales.

• IMPORTANTE INFORMACIÓN DE SEGURIDAD •

LEA TODAS LAS INSTRUCCIONES



ADVERTENCIA: Se deben seguir las siguientes reglas de seguridad cuando use la unidad. Por favor lea estas instrucciones para su propia seguridad y las de los espectadores, antes de hacer funcionar la unidad. Por favor mantenga estas instrucciones en un lugar seguro para uso futuro.

ANTES DE LA OPERACIÓN

- Lea cuidadosamente y entienda el manual del operador de la unidad que impulsa a este acople.
- Lea este manual de instrucciones de funcionamiento detenidamente. Familiarícese completamente con los controles y el uso apropiado del equipo. Sepa cómo apagar la unidad y desactivar los controles con rapidez.
- No opere esta unidad si está cansado, enfermo, o bajo los efectos del alcohol, drogas o medicamentos.
- Nunca permita que los niños manejen el equipo. Nunca permita que los adultos usen la unidad cuando no estén familiarizados con las instrucciones. Nunca permita que las personas adultas manejen el equipo si no cuentan con las instrucciones apropiadas.
- Se debe instalar adecuadamente todos los protectores y dispositivos de seguridad antes de hacer funcionar la unidad.
- Inspeccione la unidad antes de usarla. Compruebe que la cuchilla esté instalada correctamente y que esté segura.
- Despeje el área que va a bordear antes de cada uso. Quite todos los objetos tales como piedras, vidrios quebrados, clavos, alambre o cuerdas que puedan ser lanzados o que se puedan enredar en el aditamento de borde.

ADVERTENCIAS DE SEGURIDAD ESPECIALES PARA LAS UNIDADES MOTRICES Y RECORTADORES DE BORDES A GAS



ADVERTENCIA: La gasolina es muy inflamable, y sus gases pueden explotar si se encienden. Tome las siguientes precauciones:

- Guarde el combustible únicamente en recipientes designados especialmente y aprobados para el almacenamiento de dichos materiales.

- Apague siempre el motor y espere que se enfríe antes de llenar el tanque de combustible. Nunca quite la tapa del tanque de combustible ni abastezca combustible mientras la unidad esté caliente. No opere nunca esta unidad sin la tapa del combustible bien apretada en su lugar. Afloje la tapa del tanque de combustible lentamente para desahogar la presión del tanque.
- Mezcle y abastezca el combustible en un área limpia, bien ventilada en exteriores donde no haya chispas ni llamas. Quite la tapa del combustible lentamente sólo después de parar el motor. No fume mientras abastece ni mientras mezcla el combustible. Seque todo el combustible que se derrame de la unidad de inmediato.
- Evite crear una fuente de encendido con el combustible derramado. No arranque el motor hasta que los gases se hayan disipado.
- Mueva la unidad a por lo menos 30 pies (9.1 m) de distancia de la fuente y punto de abastecimiento de combustible antes de arrancar el motor. No fume, mantenga las chispas y llamas fuera del área mientras carga o el combustible o mientras opera la unidad.
- Nunca arranque ni opere la unidad dentro de una sala o edificio cerrado. La respiración de los gases del escape pueden ser letales. Opere esta unidad únicamente en un área exterior bien ventilada.

ADVERTENCIAS DE SEGURIDAD ESPECIALES PARA LAS UNIDADES MOTRICES Y RECORTADORES DE BORDES DE CESPED ELECTRICOS

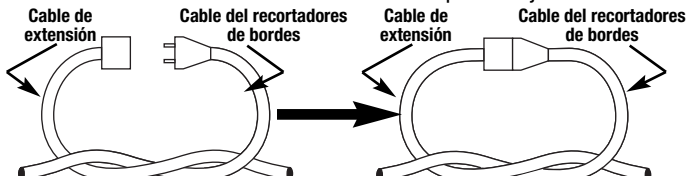


ADVERTENCIA: Para reducir el riesgo de descarga eléctrica, use sólo cables de extensión aprobados para uso en exteriores, como un cable de extensión con cable tipo SW-A, SOW-A, STW-A, STOW-A, SJW-A, SJOW-A, SJTW-W o SJTOW-A. Puede adquirir cables de extensión en su distribuidor local. Use sólo cables de extensión de camisa cilíndrica aprobados para su uso al exterior.

- **JUEGOS DE CABLES:** Verifique que su juego de cable esté en buenas condiciones. Cuando use un juego de cables, verifique que el cable que usa es lo suficientemente grueso para conducir la corriente que consumirá la unidad. Un juego de cables de menor calibre puede causar una caída de voltaje en la línea y ocasionar la pérdida de energía y recalentamiento. Lea el manual del operador de la unidad motriz de este accesorio para informarse acerca del tamaño recomendado de cable.

NORMAS PARA UNA OPERACIÓN SEGURA

- Inspeccione todos los cables de extensión y la conexión eléctrica de la unidad con frecuencia. Observe en detalle si existe deterioro, cortes o grietas en el aislamiento. Inspeccione también si existen daños en las conexiones. Cambie los cables si encuentra algún defecto o daño.
- Evite la desconexión del cabezal motorizado del recortador de bordes del cable de extensión durante el funcionamiento, utilizando un retenedor de enchufe-receptáculo, conector o haciendo un nudo como se muestra aquí debajo:



- Evite los ambientes peligrosos. No opere nunca su unidad en ambientes húmedos ni mojados. La humedad representa un peligro de descarga eléctrica.
- No use la unidad bajo la lluvia. No la use dentro del agua ni alrededor de ella.
- No toque el enchufe ni la unidad con las manos mojadas ni parado sobre superficies mojadas.
- No deje la unidad enchufada mientras no la use, mientras cambie accesorios ni mientras realiza el servicio.

DURANTE LA OPERACIÓN

- Mantenga retirados a los espectadores, especialmente a los niños y animales domésticos por lo menos a 50 ft (15 m) de distancia.
- Use lentes o gafas de protección que cumplan con las normas ANSI Z87.1, y protección para sus oídos/audición mientras opere esta unidad. Use siempre una máscara facial o para protegerse contra el polvo si la operación levanta polvo.
- Use pantalones largos y gruesos, botas, guantes y camisa de manga larga. No use ropa holgada, alhajas, pantalones cortos, sandalias ni esté descalzo. Sostenga el cabello sobre el nivel de los hombros.
- Use la unidad sólo con luz diurna o con buena luz artificial.
- Use la herramienta correcta. Use esta herramienta sólo para el trabajo para el que fue diseñada.
- No fuerce la unidad. Hará mejor el trabajo y con menos probabilidad de lesión bajo la tasa de funcionamiento que fue diseñada.
- Tenga mucho cuidado cuando retroceda o cuando hale la unidad hacia usted.
- No se estire demasiado. Mantenga siempre una posición y equilibrio adecuados.
- Sostenga siempre la unidad con ambas manos durante la operación. Agarre firmemente ambas manijas o mangos anteriores y posteriores.
- Mantenga las manos, cara y pies lejos de todas las piezas que se muevan. No toque ni intente detener la cuchilla cuando esté girando. No la haga funcionar sin los protectores puestos en su lugar.
- No opere la unidad a una velocidad mayor que la necesaria para recortar bordes. No opere la unidad a alta velocidad cuando no esté recortando bordes.
- Pare siempre la unidad cuando posponga el trabajo o mientras camine entre diferentes zonas de corte.
- Detenga el motor para hacerle mantenimiento, reparaciones, para instalar o quitar la cuchilla. Debe detener la unidad y la cuchilla debe dejar de voltear para que evite lesiones.

- La cuchilla se vuelve bastante filosa con el uso. Póngase guantes gruesos en todo momento cuando manipule, quite, instale o limpie la cuchilla.
- Si golpea o se enreda con algún objeto extraño, pare el motor de inmediato e inspeccione si hay daños. Repare todos los daños antes de intentar continuar la operación. No opere esta unidad con una cuchilla doblada, rajada ni desafilada. Descarte las cuchillas que estén dobladas, alabeadas, agrietadas o rotas.
- Pare la unidad DE INMEDIATO si siente una vibración excesiva. La vibración es señal de que hay problemas. Inspeccione bien si hay tuercas o pernos flojos o daños antes de continuar. Repare o cambie las piezas afectadas según sea necesario.
- Pare y apague la unidad para hacerle mantenimiento, reparación o para cambiarle accesorios.
- Mantenga la unidad libre de vegetación y otros materiales. Esas cosas se pueden incrustar entre la cuchilla y la caja de engranajes o el protector.
- La cuchilla en movimiento puede causar lesiones mientras continúa girando después de que pare la unidad. Mantenga el control apropiado de la unidad hasta que la cuchilla deje de voltear completamente.
- Use sólo piezas y accesorios de repuesto genuinos de fábrica para esta unidad. Puede obtenerlos en su proveedor de servicio autorizado. El uso de piezas o accesorios no autorizados puede causar lesiones graves al usuario o daño a la unidad, y la cancelación de su garantía.

MANTENIMIENTO Y ALMACENAJE

- Espere que el motor se enfríe antes de guardar o transportar la unidad. Compruebe que la unidad esté segura al transportarla.
- Guarde la unidad bajo llave en un lugar adecuado y seco para evitar el uso por personas no autorizadas y daños, lejos del alcance de los niños.
- Lave la cuchilla con el agua de la manguera. Limpie la cuchilla con aceite suave para máquinas, para que evite la oxidación.
- Nunca moje ni rocíe la unidad con agua ni con ningún otro líquido. Mantenga las manijas secas, limpias y sin residuos. Limpie la unidad después de cada uso, lea las instrucciones de Limpieza y Almacenamiento.
- Guarde estas instrucciones. Consúltelas con frecuencia y utilícelas para enseñar a otros usuarios. Si le presta esta unidad a alguien, préstele también estas instrucciones.
- Cualquier reparación o procedimientos de mantenimiento que no estén descritos en este manual deben ser hechos únicamente por personal calificado.
- Compruebe frecuentemente el apriete de los pernos de la cizalla, de montaje del motor y otros pernos para que tenga la seguridad de que el equipo esté en buen estado de funcionamiento.
- Cuando guarde la unidad dentro de un edificio, aléjela de fuentes de encendido. Permita que el motor se enfríe antes de guardarla en cualquier caja protectora.
- Si el recortador de bordes se va a almacenar por un período prolongado, consulte siempre las instrucciones que aparecen en Manual de Operador para conocer detalles importantes.
- No intente arreglar la máquina a menos que tenga las herramientas apropiadas y las instrucciones para desensamblarla y arreglarla.

GUARDE ESTAS INSTRUCCIONES

NORMAS PARA UNA OPERACIÓN SEGURA

SÍMBOLOS DE SEGURIDAD E INTERNACIONALES

Este manual del operador describe los símbolos y figuras de seguridad e internacionales que pueden aparecer en este producto. Lea el manual del operador para obtener información completa acerca de la seguridad, ensamble, operación y mantenimiento y reparación.

SÍMBOLO

SIGNIFICADO



- **SÍMBOLO DE ALERTA DE SEGURIDAD**

Indica peligro, advertencia o precaución. Puede ser utilizado junto con otros símbolos o figuras.



- **ADVERTENCIA - LEA EL MANUAL DEL OPERADOR**

Lea el manual del operador y siga todas las advertencias e instrucciones de seguridad. De no hacerlo, el operador y/o los espectadores pueden sufrir lesiones graves.



- **USE PROTECCIÓN OCULAR Y AUDITIVA**

ADVERTENCIA: La operación de cualquier herramienta electromecánica puede ser el origen del lanzamiento de objetos y ruidos elevados que pueden causar lesiones oculares graves y pérdida auditiva. Use siempre gafas de seguridad o protección visual que cumplan con las normas ANSI Z87.1 y protección auditiva, cuando maneje esta unidad. Use una careta completa cuando la necesite.



- **MANTENGA ALEJADOS A LOS ESPECTADORES**

ADVERTENCIA: Mantenga a todos los espectadores, en especial a los niños y animales domésticos a por lo menos 50 pies (15 m) del área de corte.



- **LOS OBJETOS LANZADOS CAUSAN LESIONES GRAVES**

ADVERTENCIA: No haga funcionar la unidad sin los aditamentos apropiados y los protectores puestos en su lugar..



- **CUCHILLA AFILADA**

ADVERTENCIA: La protección del accesorio de corte contiene una cuchilla afilada. Para prevenir graves lesiones, no toque la cuchilla.

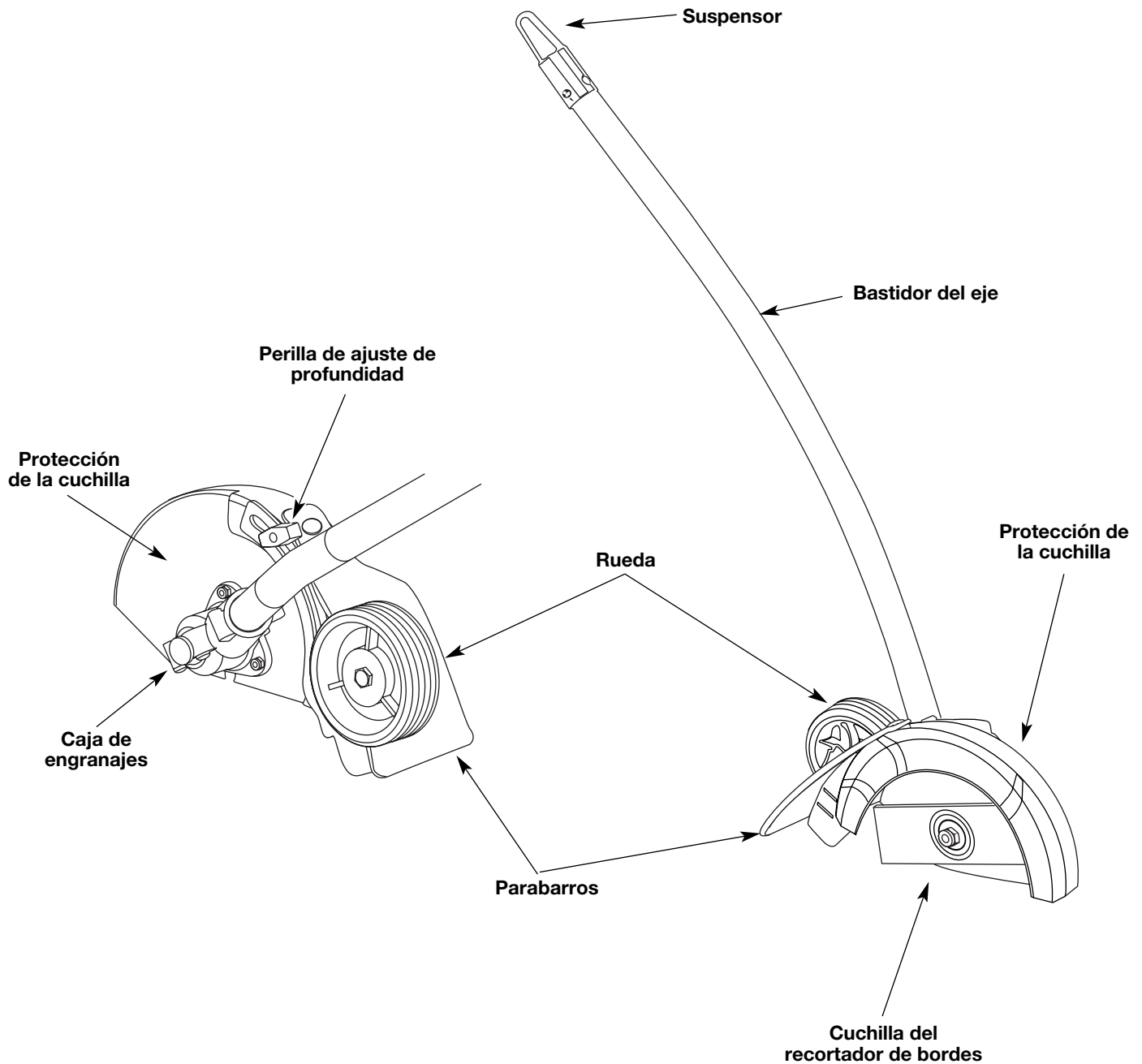
NORMAS PARA UNA OPERACION SEGURA

CONOZCA SU UNIDAD

APLICACIONES

Con el accesorio para recortar bordes:

- Recorte de bordes a lo largo de senderos, entradas de automóviles, rocallas, etc.



INSTRUCCIONES DE OPERACIÓN

ENSAMBLAJE DEL ACOPLADOR

Los siguientes accesorios Troy-Bilt® también están disponibles para su unidad:

Soplador/Aspirador	TBBV
Cultivador	TBGC
Recortador de setos	TBHS
Recortador de eje recto	TBSS
Soplador de nieve	TBST
Turbosoplador	TBTB
Podador de árboles	TBTP

ADVERTENCIA: Lea y comprenda el manual del operador de los accesorios antes de su operación.

Remoción del accesorio

1. Para aflojarlo, gire el botón en el sentido opuesto al de las manecillas del reloj (Fig. 1).
2. Oprima y sostenga oprimido el botón de liberación (Fig. 1).
3. Mientras sujeta firmemente el bastidor del eje superior, separe el accesorio del recortador de bordes del acoplador (Fig. 2).

Instalación del accesorio

ADVERTENCIA: Para evitar graves lesiones personales, apague la unidad antes de quitarle o instalarle accesorios.

NOTA: Para facilitar la instalación o remoción de los accesorios, ponga la unidad sobre el suelo o sobre un banco de trabajo.

1. Quite el gancho de la parte superior del bastidor del eje.
2. Apriete el botón girándolo hacia la derecha (Fig. 1).
3. Mientras sostiene el accesorio con firmeza, empújelo en línea recta en el acoplador (Fig. 2).

NOTA: La alineación del botón de desconexión con la guía ayuda en la instalación (Fig. 1).

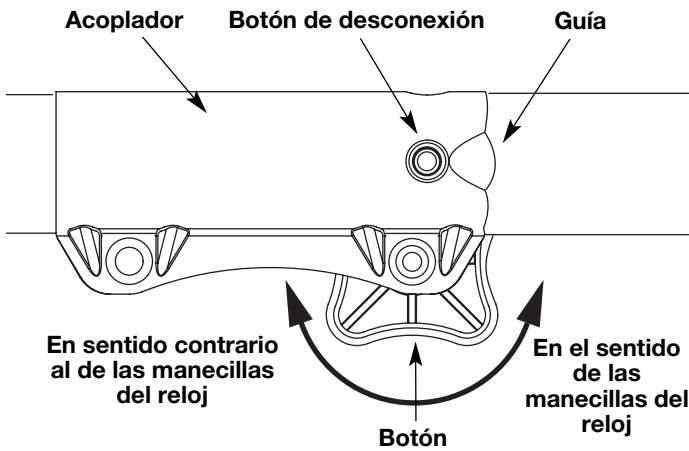


Fig. 1

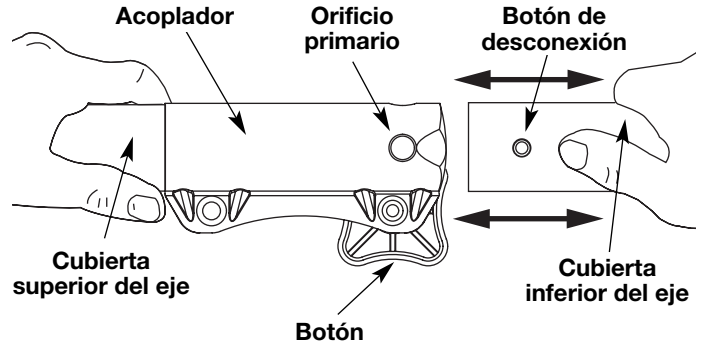


Fig. 2

4. Apriete el botón girándolo hacia la derecha (Fig. 3).

PRECAUCIÓN: Trabe el botón de desconexión en el orificio primario (Fig. 2) y ajuste bien la perilla antes de operar esta unidad.

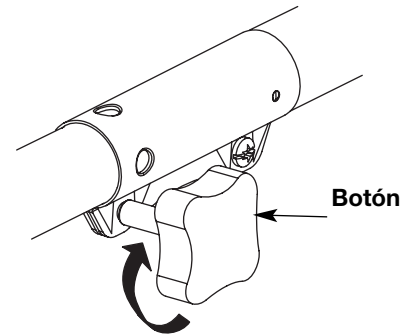


Fig. 3

AVISO: Los accesorios optativos con el sistema acoplador se usan en el orificio primario solamente. Usar el orificio erróneo puede dar lugar a lesiones personales o daño a la unidad.

El accesorio para recortar bordes debe ser instalado con el botón de desconexión en el **orificio primario**.

Inspeccione el acoplamiento del eje acodado antes de usar la unidad

1. Arranque la unidad.
2. Enganche y suelte el gatillo brevemente.
3. Verifique que el accesorio esté funcionando.
4. Si el accesorio no está funcionando, retire el accesorio y repita los pasos para su instalación.
5. Vuelva a verificar el funcionamiento del accesorio.

INSTRUCCIONES DE OPERACIÓN

COMO SOSTENER LA UNIDAD CON EL ACCESORIO PARA RECORTAR BORDES



ADVERTENCIA: Al operar esta unidad, use siempre protección en los ojos, oídos, pies y cuerpo para reducir el riesgo de lesiones.

Antes de operar la unidad, párese en la posición de operación (Figs. 4 & 5). Verifique lo siguiente:

- El operador usa protección ocular y ropa adecuada.
- El brazo derecho está ligeramente doblado, y la mano sostiene el mango del eje.
- El brazo izquierdo está recto, y la mano sostiene la manija.
- La unidad está a nivel de la cintura.
- La rueda del recortador de bordes está ajustada para lograr una profundidad de corte correcta y el recortador de bordes está puesto según se indica en la Figs. 4 & 5.

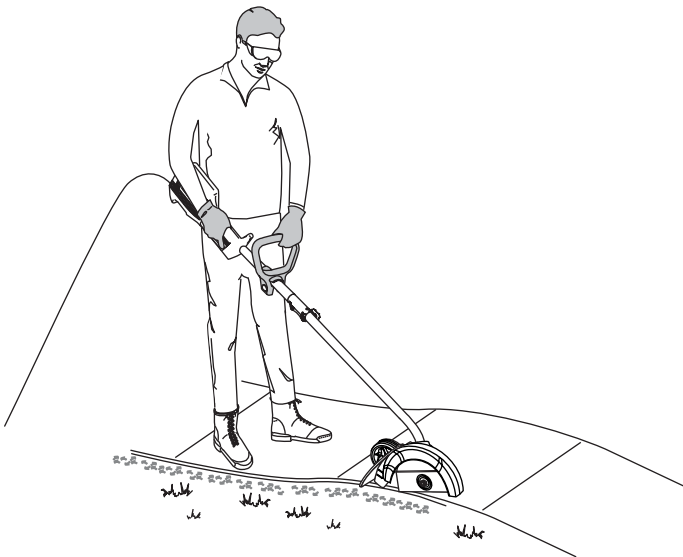


Fig. 4

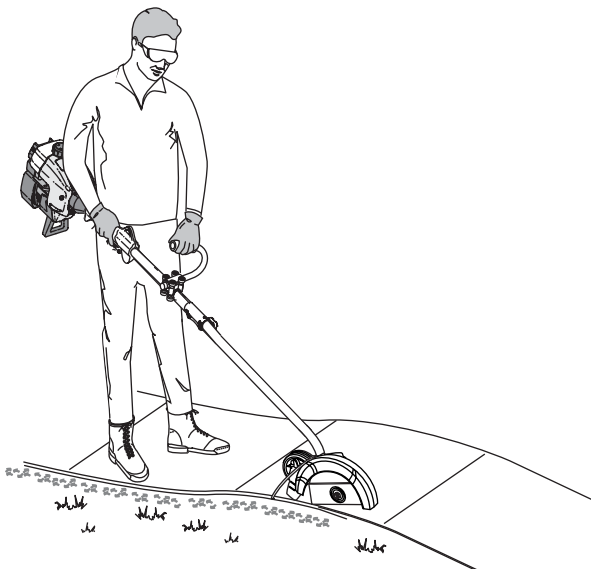


Fig. 5

AJUSTE DE LA PROFUNDIDAD DE CORTE DEL RECORTADOR DE BORDES

1. Afloje la perilla de ajuste sobre la rueda (Fig. 6).
2. Deslice la rueda hasta la posición deseada.
 - Elevar la rueda aumenta la profundidad de corte.
 - Bajar la rueda disminuye la profundidad de corte.
3. Apriete la perilla de ajuste con firmeza.

Perilla de ajuste de profundidad

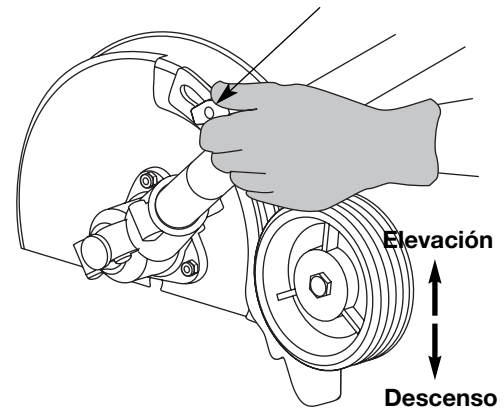


Fig. 6

CONSEJOS PARA LOGRAR MEJORES RESULTADOS DE RECORTE DE BORDES

- Mantenga el accesorio de corte perpendicular al suelo.
- No fuerce el recortador de bordes. Recorte los bordes primero a baja profundidad, luego vuelva a trabajar el área con un ajuste más profundo.
- Haga caminar el recortador de bordes a un paso lento y parejo
- Inspeccione la condición de la cuchilla, al desgastarse se reduce y disminuye el rendimiento de la profundidad de corte. Cambie por una cuchilla nueva según sea necesario.

INSTRUCCIONES DE MANTENIMIENTO Y REPARACIÓN

CAMBIO DE LA CUCHILLA DEL RECORTADOR DE BORDES DE BORDES



ADVERTENCIA: Para evitar graves lesiones personales, use siempre guantes para manejar, sacar o instalar la cuchilla.



ADVERTENCIA: El bastidor de engranajes se calienta después de largos períodos de uso. Para evitar lesiones personales graves, no toque el bastidor hasta que se enfríe.

1. Alinee el orificio del eje de salida con la ranura de la varilla de cierre. Inserte la varilla de cierre a través de la ranura en el orificio del eje de salida (Fig. 7).
2. Sostenga la varilla de cierre en su lugar junto al brazo de la unidad (Fig. 8).
3. Mientras sostiene la varilla de cierre, afloje la tuerca de la cuchilla girándola **en sentido horario** con una llave de 5/8 pulgadas (Fig. 9). Saque la tuerca, la arandela de retención y la cuchilla. Guarde la tuerca y el retén de la cuchilla para la instalación.
4. Instale la nueva cuchilla, el retén de la cuchilla y la tuerca (Fig. 10). Inserte la varilla de cierre a través de la ranura en el orificio del eje de salida. Verifique que la cuchilla permanezca plana contra el eje de salida mientras ajusta la contratuerca **en sentido antihorario** (Fig. 11).
5. Si tiene una llave de torsión, ajuste la tuerca a **325-335 pulg. • libras (37-38 N•m)**, mientras sostiene la varilla de cierre en la ranura. Si no tiene una llave de torsión, sostenga la varilla de cierre en la ranura. Gire la tuerca **en sentido antihorario** con una llave de boca cerrada de 5/8 pulgadas o de casquillo, hasta que la tuerca presione contra la arandela y la cuchilla esté bien ajustada. Verifique que el ensamble de la cuchilla esté bien instalado, luego gire la tuerca **1/4-1/2 vuelta** más (Fig. 11).
6. Saque la varilla de cierre.



ADVERTENCIA: Verifique que la cuchilla esté plana contra el eje de salida después de ajustar la tuerca. Si la cuchilla está descentrada, la unidad se dañará con la vibración, y la cuchilla puede salir despedida, lo cual puede causar lesiones personales graves.

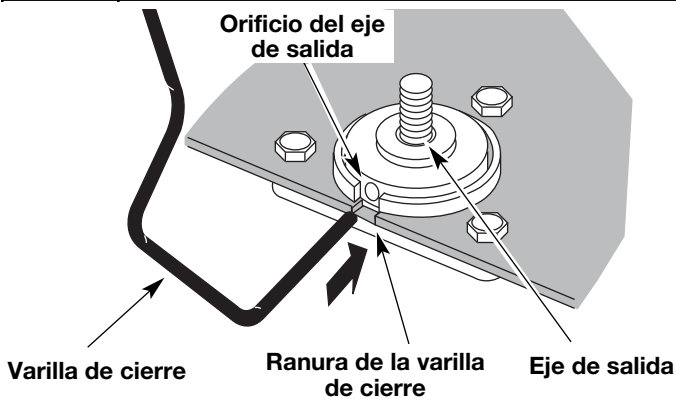


Fig. 7

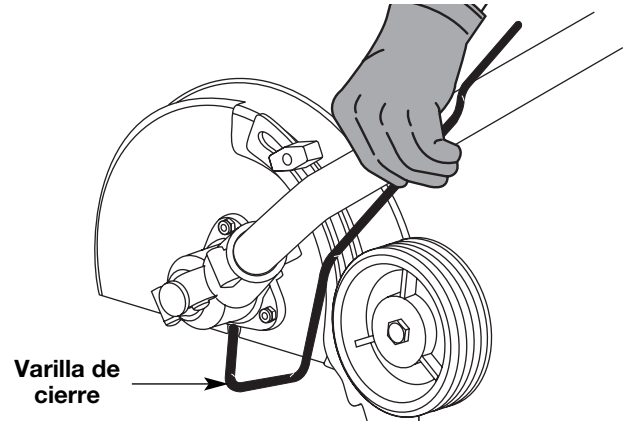


Fig. 8

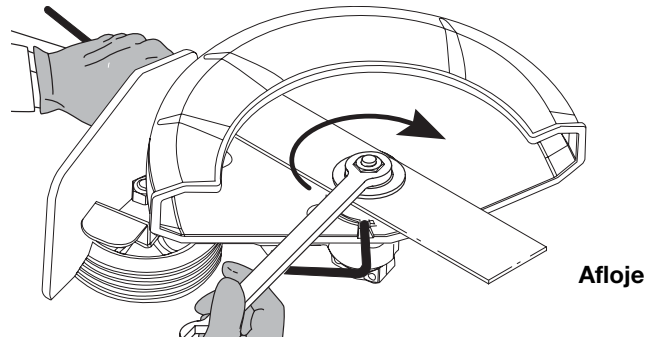


Fig. 9

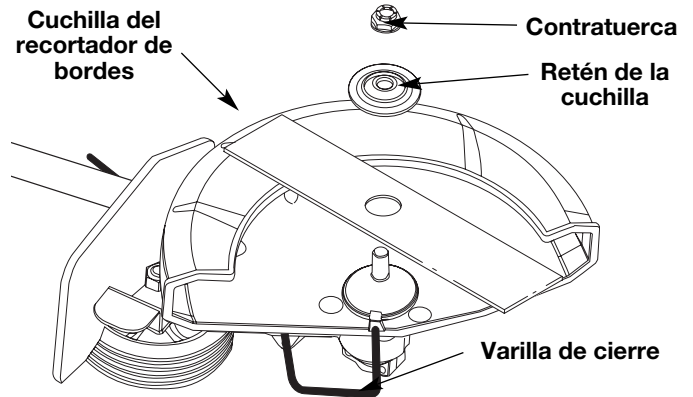


Fig. 10

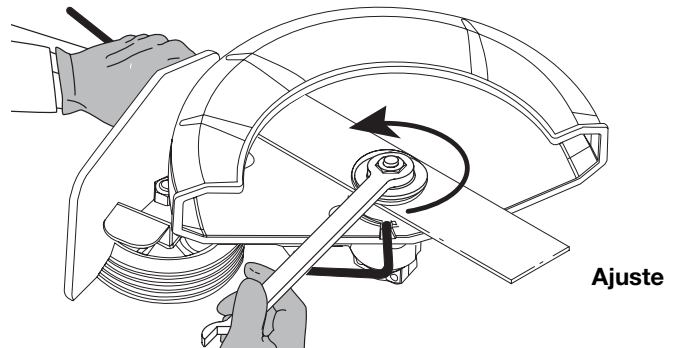


Fig. 11

INSTRUCCIONES DE MANTENIMIENTO Y REPARACIÓN

ALMACENAMIENTO

- Examine la unidad antes de guardarla para que compruebe que el equipo se encuentre en buen estado de funcionamiento.
- Pare el motor.
- Almacene la unidad en áreas interiores, en un lugar seco y cerrado, fuera del alcance de los niños.
- Mantenga o cambie las etiquetas de seguridad e instrucciones, como sea necesario.

Para unidades a gasolina:

- Permita que la unidad se enfríe antes de guardarla en cualquier lugar encerrado.
- Vacíe el combustible de la unidad. Nunca guarde la unidad con combustible dentro del tanque en un edificio en donde haya presentes fuentes de ignición tales como calentadores portátiles, secadoras de ropa, etc.

TRANSPORTE

- Espere que el motor se enfríe antes de transportarla.
- Asegure la unidad durante su transporte.

Para unidades a gasolina:

- Drene el combustible de la unidad.
- Ajuste la tapa del combustible antes del transporte.

ACCESORIOS / PIEZAS DE REPUESTO

Cuchilla del recortador de bordes	791-613223B
Retén de la cuchilla	791-147490
Contratuera	791-147491

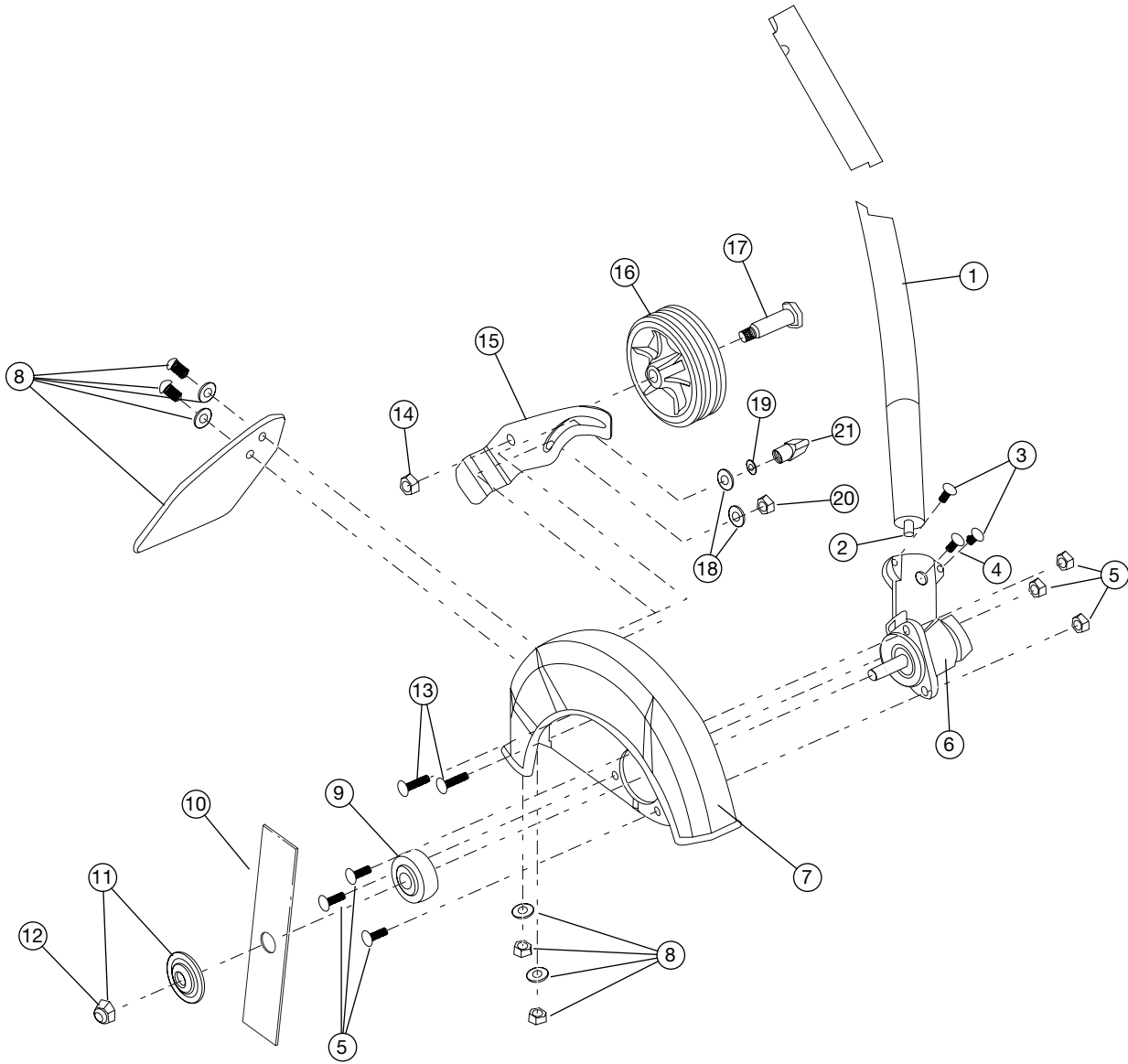
Use sólo piezas y accesorios de repuesto genuinos de fábrica para esta unidad.

ESPECIFICACIONES

ACCESORIO RECORTADOR DE BORDES

Peso de la unidad (Sólo el accesorio)	5.25 libras (2.36 kg.)
Profundidad de corte (máxima)	2.5 pulg. (63.5 mm)
Diámetro de la rueda	3.75 pulg. (95.25 mm)
Radio de la caja de engranajes	1.23:1

REPLACEMENT PARTS - MODEL TBLE
LAWN EDGER ADD-ON
PPN 41AJLE-C063



Item	Part No.	Description
1	753-04259	Boom Assembly
2	791-181570	Drive Shaft
3	791-182195	Boom Mounting Hardware
4	791-182519	Anti-Rotation Screw
5	753-1217	Guard Mounting Hardware
6	753-04258	Gearbox Assembly
7	753-04260	Blade Guard
8	753-04262	Deflector w/Hardware
9	753-04261	Spacer
10	791-613223B	Blade
11	791-180014B	Blade Clamp Washer
12	791-613221	Blade Retainer Nut
13	753-04270	Wheel Bracket Mounting Bolt
14	753-04264	Nut
15	753-04265	Edger Guide
16	791-181242	Wheel
17	791-180776	Shoulder Bolt
18	791-182216	Washer
19	791-182215	Washer
20	791-180050	Nut
21	791-182214	Edger Guide Knob

GARANTÍA LIMITADA DEL FABRICANTE PARA:



Troy-Bilt LLC concede la garantía limitada establecida debajo para mercancías nuevas que sean compradas y usadas en los Estados Unidos, sus posesiones y territorios.

Troy-Bilt LLC garantiza este producto contra defectos en el material y la mano de obra durante un período de dos (2) años, a partir de la fecha de compra original y a su entera discreción, arreglará o substituirá sin costo alguno cualquier pieza cuyo material o mano de obra se considere defectuoso. Esta garantía limitada se deberá aplicar únicamente si este producto ha sido manejado y mantenido de acuerdo al Manual del Operario incluido con el producto y, si no ha sido sometido a mal uso, abuso, uso comercial, negligencia, accidente, mantenimiento inapropiado, alteración, vandalismo, hurto, fuego, agua o daños debidos a otros riesgos o desastre natural. Los daños ocasionados por la instalación o el uso de cualquier accesorio o aditamento que no esté aprobado por Troy-Bilt y que sea usado con el (los) producto(s) contemplados en este manual, anularán la garantía con respecto a cualquier daño resultante. Esta garantía está limitada a noventa (90) días a partir de la fecha de compra original al detalle de cualquier producto Troy-Bilt que se use para alquiler, para propósitos comerciales o cualquier otro propósito que genere ingresos.

CÓMO OBTENER SERVICIO: El servicio de garantía está disponible A TRAVÉS DE SU DISTRIBUIDOR DE SERVICIO LOCAL AUTORIZADO, AL PRESENTAR EL COMPROBANTE DE COMPRA. Para localizar al distribuidor en su área, visite nuestro sitio en Internet en www.troybilt.com, busque el aviso clasificado en las Páginas Amarillas, llame al 1 (866) 840-6483, 1 (330) 558-7220 o escriba a P.O. Box 361131, Cleveland, OH 44136-0019.

Esta garantía limitada no ofrece cobertura en los siguientes casos:

- A. Sincronizaciones - bujías, ajustes de carburadores, filtros.
- B. Artículos de desgaste, perillas percusivas, carretes externos, línea de corte, carretes internos, polea de arranque, cuerdas de arranque, correas motoras.
- C. Troy-Bilt no le ofrece ninguna garantía a los productos que sean vendidos o exportados fuera de los Estados Unidos de América, sus posesiones y territorios, excepto aquellos que se vendan a través de los canales de distribución para exportación autorizados por Troy-Bilt.

Troy-Bilt se reserva el derecho a cambiar o mejorar el diseño de cualquier producto Troy-Bilt, sin adoptar ninguna obligación para modificar cualquier producto fabricado con anterioridad.

Ninguna garantía implícita es aplicable después del período de aplicabilidad de la garantía expresa escrita con anterioridad, incluyendo cualquier garantía implícita de comerciabilidad o idoneidad para un propósito particular con respecto a las piezas identificadas. Exceptuando lo mencionado anteriormente, ninguna otra garantía expresa bien sea escrita o verbal con respecto a cualquier producto que sea concedida por cualquier persona o entidad, incluyendo al distribuidor o minorista, deberá comprometer a Troy-Bilt LLC durante el período de la Garantía, el remedio exclusivo es el arreglo o la sustitución del producto según lo establecido anteriormente. (Algunos estados no permiten limitaciones en cuanto al período de duración de una garantía implícita, de manera que puede que la limitación anterior no sea aplicable en su caso.)

Las estipulaciones establecidas en esta Garantía ofrecen la solución única y exclusiva que resulte de las ventas. Troy-Bilt no deberá ser responsable de pérdidas o daños incidentales o consecuentes que incluyan, sin limitación, gastos incurridos debido a la sustitución de servicios de mantenimiento de prados, transporte o gastos relacionados, o gastos de alquiler para reemplazar temporalmente un producto bajo garantía. (Algunos estados no permiten limitaciones en cuanto al período de duración de una garantía implícita, de manera que puede que la limitación anterior no sea aplicable en su caso.)

Ningún tipo de recuperación deberá ser superior al precio de compra del producto vendido, en ningún caso. La alteración de las características de seguridad del producto deberá anular esta Garantía. Usted adopta el riesgo y la obligación de la pérdida, daño o lesión en su persona o a su propiedad y/o la de otras personas y sus propiedades, que se origine a raíz del uso o mal uso, o la incompetencia para usar el producto.

Esta garantía limitada no deberá cubrir a ninguna otra persona distinta al comprador original, arrendatario original, o la persona para la cual se compró en calidad de regalo.

Relación de las leyes estatales con esta Garantía: Esta garantía le confiere derechos legales específicos, y puede que usted también tenga otros derechos, los cuales varían en cada estado.

Para localizar al distribuidor de servicio local más cercano, marque el número 1 (877) 282-8684.

Troy-Bilt LLC
P.O. Box 361131
Cleveland, OH 44136-0019