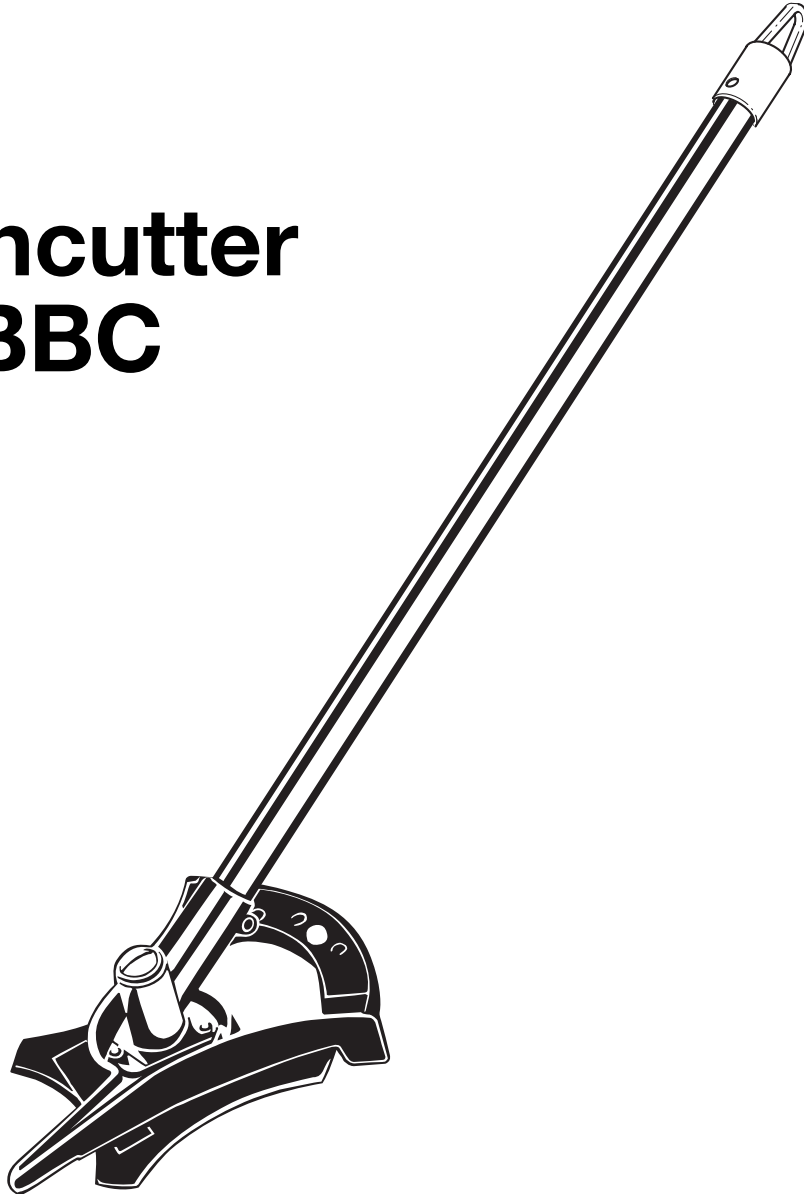




# Operator's Manual

## Brushcutter TBBC



**WARNING:** Never use this attachment with an electric-powered unit. Only attach the TBBC to gas-powered trimmers or brushcutters. Use with an electric product could lead to damage to the unit or serious personal injury.

**IMPORTANT: READ SAFETY RULES AND INSTRUCTIONS CAREFULLY**

# INTRODUCTION

## THANK YOU

Thank you for buying this quality product. This modern outdoor power tool will provide many hours of useful service. You will find it to be a great labor-saving device. This operator's manual provides you with easy-to-understand operating instructions. Read the whole manual and follow all the instructions to keep your new outdoor power tool in top operating condition.

## PRODUCT REFERENCES, ILLUSTRATIONS AND SPECIFICATIONS

All information, illustrations, and specifications in this manual are based on the latest product information available at the time of printing. We reserve the right to make changes at any time without notice.

Copyright© 2004 MTD SOUTHWEST INC, All Rights Reserved.

## SERVICE INFORMATION

For service call **1-800-520-5520** in the United States, or **1-800-668-1238** in Canada to obtain a list of authorized service dealers near you. For more details about your unit, visit our website at **www.troybilt.com**.

**DO NOT RETURN THE UNIT TO THE RETAILER. PROOF OF PURCHASE WILL BE REQUIRED FOR WARRANTY SERVICE.**

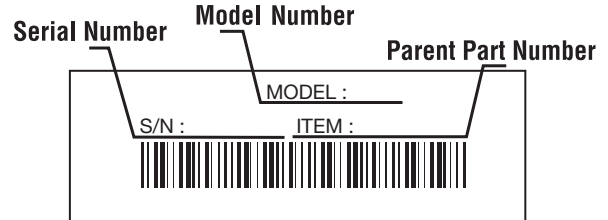
THIS PRODUCT IS COVERED BY ONE OR MORE U.S. PATENTS. OTHER PATENTS PENDING.

Service on this unit both within and after the warranty period should be performed only by an authorized and approved service dealer.

## TABLE OF CONTENTS

Service Information .....	2
Rules for Safe Operation .....	3
Know Your Unit .....	7
Assembly Instructions .....	8
Operating Instructions .....	10
Maintenance and Repair Instructions .....	13
Specifications .....	15
Warranty Information .....	16
Parts List .....	Inside Back Cover

Before beginning, locate the unit's model plate. It lists the model and serial numbers of your unit. Refer to the sample plate below and copy the information for future reference.




Copy the model and parent part number here: \_\_\_\_\_

Copy the serial number here: \_\_\_\_\_

# RULES FOR SAFE OPERATION

The purpose of safety symbols is to attract your attention to possible dangers. The safety symbols, and their explanations, deserve your careful attention and understanding. The safety warnings do not by themselves eliminate any danger. The instructions or warnings they give are not substitutes for proper accident prevention measures.

SYMBOL	MEANING
--------	---------

	<b>SAFETY ALERT:</b> Indicates danger, warning or caution. Attention is required in order to avoid serious personal injury. May be used in conjunction with other symbols or pictographs.
---	---

**NOTE:** Advises you of information or instructions vital to the operation or maintenance of the equipment.


**Read the Operator's Manual(s) and follow all warnings and safety instructions.**


**Failure to do so can result in serious injury to the operator and/or bystanders.**

**FOR QUESTIONS, CALL 1-800-520-5520**


SYMBOL	MEANING
--------	---------

	<b>DANGER:</b> Failure to obey a safety warning will result in serious injury to yourself or to others. Always follow the safety precautions to reduce the risk of fire, electric shock and personal injury.
---	--


	<b>WARNING:</b> Failure to obey a safety warning can result in injury to yourself and others. Always follow the safety precautions to reduce the risk of fire, electric shock and personal injury.
---	--

	<b>CAUTION:</b> Failure to obey a safety warning may result in property damage or personal injury to yourself or to others. Always follow the safety precautions to reduce the risk of fire, electric shock and personal injury.
---	--

## • IMPORTANT SAFETY INSTRUCTIONS •

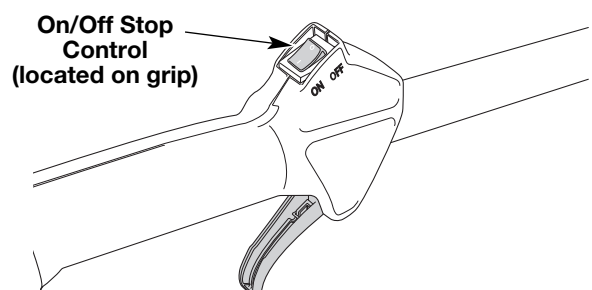
	<b>WARNING:</b> Never use this attachment with an electric-powered unit. Only attach the TBBC to gas-powered trimmers or brushcutters. Use with an electric product could lead to damage to the unit or serious personal injury.
---	--

### READ ALL INSTRUCTIONS BEFORE OPERATING

	<b>WARNING:</b> When using the unit, you must follow the safety rules. Please read these instructions before operating the unit in order to ensure the safety of the operator and any bystanders. Please keep these instructions for later use.
---	---

- Read the instructions carefully. Be familiar with the controls and proper use of the unit.
- Do not operate this unit when tired, ill, or under the influence of alcohol, drugs, or medication.
- Children and teens under the age of 15 must not use the unit, except for teens guided by an adult.
- All guards and safety attachments must be installed properly before operating the unit.
- Inspect the unit before use. Replace damaged parts. Check for fuel leaks. Make sure all fasteners are in place and secure. Replace parts that are cracked, chipped, or damaged in any way. Do not operate the unit with loose or damaged parts.

- Be aware of the risk of injury to the head, hands and feet.
- Carefully inspect the area before starting the unit. Remove all debris and hard or sharp objects such as glass, wire, etc.
- Clear the area of children, bystanders, and pets. At a minimum, keep all children, bystanders, and pets outside a 50 feet (15 m.) radius; there still may be a risk to bystanders from thrown objects. Bystanders should be encouraged to wear eye protection. If you are approached, stop the unit immediately.
- Only for use on attachment-capable, gas-powered trimmers that have the On/Off Stop control located on the grip.



# RULES FOR SAFE OPERATION

- The TBBC is specifically approved for use with the following models of attachment-capable trimmers:

<b>Ryobi:</b>	<b>Troy-Bilt:</b>
775R	TB20CS
750R	TB25CS
790R	TB25ET
890R	TB70SS
	TB75SS
<b>Yard Man:</b>	TB90BC
YM25	TB425CS
YM75	TB475SS
YM90	TB490BC
YM26BC	
	<b>Bolens (Canada):</b>
<b>Cub Cadet:</b>	BL26BC
CC2025	
CC3075	<b>Yardworks:</b>
CC4025	60-2310-6
CC4075	60-2311-4
CC4090	60-2312-2

## SAFETY WARNINGS FOR GAS POWERHEADS



**WARNING:** Gasoline is highly flammable, and its vapors can explode if ignited. Take the following precautions:

- Store fuel only in containers specifically designed and approved for the storage of such materials.
- Always stop the engine and allow it to cool before filling the fuel tank. Never remove the cap of the fuel tank, or add fuel, when the engine is hot. Never operate the unit without the fuel cap securely in place. Loosen the fuel tank cap slowly to relieve any pressure in the tank.
- Add fuel in a clean, well-ventilated outdoor area where there are no sparks or flames. Slowly remove the fuel cap only after stopping engine. Do not smoke while fueling or mixing fuel. Wipe up any spilled fuel from the unit immediately.
- Avoid creating a source of ignition for spilled fuel. Do not start the engine until fuel vapors dissipate.
- Move the unit at least 30 feet (9.1 m) from the fueling source and site before starting the engine. Do not smoke. Keep sparks and open flames away from the area while adding fuel or operating the unit.
- Squeeze the throttle control and check that it returns automatically to the idle position. Make all adjustments or repairs before using the unit.
- Do not touch the engine, gear housing or muffler. These parts get extremely hot from operation, even after the unit is turned off.
- To reduce fire hazard, replace a faulty muffler and spark arrestor. Keep the engine and muffler free from grass, leaves, excessive grease or carbon build up.
- Never start or run the unit inside a closed room or building. Breathing exhaust fumes can be fatal. Operate this unit only in a well-ventilated outdoor area.

## WHILE OPERATING

- Read and understand all safety warnings before operating this unit.
- Inspect thoroughly for loose nuts, bolts or damage before continuing. Repair or replace affected parts as necessary.
- Wear safety glasses or goggles that meet ANSI Z87.1 standards and are marked as such. Wear ear/hearing protection when operating this unit. Wear a face or dust mask if the operation is dusty.
- Wear heavy long pants, boots, gloves and a long sleeve shirt. Do not wear loose clothing, jewelry, short pants, sandals or go barefoot. Secure hair above shoulder level.
- Adjust the J-handle to your size in order to provide the best grip.
- Use the unit only in daylight or good artificial light.
- Avoid accidental starting. Be in the starting position whenever pulling the starter rope. The operator and unit must be in a stable position while starting. Refer to *Starting/Stopping Instructions* of the power head manual.
- Use the right tool. Only use this tool for its intended purpose.
- Do not overreach. Always keep proper footing and balance.
- Always hold the unit with both hands when operating. Keep a firm grip on both handles or grips.
- Keep hands, face, and feet at a distance from all moving parts.
- Do not operate the engine/motor faster than the speed needed to cut. Do not run the engine at high speed when not cutting.
- Always stop the engine when you delay working, or when you walk from one cutting location to another.
- If you strike or become entangled with a foreign object, stop the engine immediately and check for damage. Do not operate before repairing damage. Do not operate the unit with loose or damaged parts.

# RULES FOR SAFE OPERATION

- Stop the unit, switch the engine to off, and disconnect the spark plug for maintenance or repair.
- Use only original equipment manufacturer replacement parts and accessories for this unit. These are available from your authorized service dealer. Use of any unauthorized parts or accessories could lead to serious injury to the user, or damage to the unit, and void your warranty.
- Keep unit clean of vegetation and other materials.
- Always use the shoulder harness when using the brush blade attachment.
- Keep the J-handle between the operator and blade at all times.
- NEVER cut when the cutting blade is 30 inches (76 cm) or more above the ground level.
- Blade thrust may occur when the spinning blade contacts an object that it does not immediately cut. Blade thrust can be violent enough to propel the unit and/or operator in any direction, possibly causing a loss of control. Blade thrust can occur without warning if the blade snags, stalls or binds. This is more likely to occur in areas where it is difficult to see the material being cut.
- For operation with the brush blade, do not cut anything thicker than 1/2 inch or a violent kickback could occur.
- Do not attempt to touch or stop the blade when it is rotating.
- A coasting blade can cause injury while it continues to spin after the engine is stopped or the throttle trigger is released. Maintain proper control until the blade has completely stopped rotating.
- Do not run the unit at high speed when not cutting.
- If you strike or become entangled with a foreign object, stop the engine immediately and check for damage. Have any damage repaired before attempting further operations. Do not operate unit with a bent, cracked or dull blade. Discard blades that are bent, warped, cracked or broken.
- Do not sharpen the cutting blade. Sharpening the blade can cause the blade tip to break off while in use. This can result in severe personal injury. Replace the blade.
- Do not use the cutting blade for edging or as an edger; severe personal injury to yourself or others may incur. Use the cutting blade only for the purpose described in this manual.
- Stop the engine IMMEDIATELY if you feel excessive vibration. Vibration is a sign of trouble. Inspect thoroughly for loose nuts, bolts or damage before continuing. Repair or replace affected parts as necessary.

## After Use

- Clean cutting blades with a household cleaner to remove any gum buildup. Oil the blade with machine oil to prevent rust.
- Lock up and store the cutting blade in an appropriate area to protect the blade from unauthorized use or damage.

## OTHER SAFETY WARNINGS

- Never store a fueled unit inside a building where fumes may reach an open flame or spark.
- Allow the engine to cool before storing or transporting. Be sure to secure the unit while transporting.
- Store the unit in a dry area, locked up or up high to prevent unauthorized use or damage, out of the reach of children.
- Never douse or squirt the unit with water or any other liquid. Keep handles dry, clean and free from debris. Clean after each use, see *Cleaning and Storage* instructions.
- Keep these instructions. Refer to them often and use them to instruct other users. If you loan someone this unit, also loan them these instructions.

**SAVE THESE  
INSTRUCTIONS**

# RULES FOR SAFE OPERATION

## SAFETY AND INTERNATIONAL SYMBOLS

This operator's manual describes safety and international symbols and pictographs that may appear on this product. Read the operator's manual for complete safety, assembly, operating and maintenance and repair information.

### SYMBOL

### MEANING



- **SAFETY ALERT SYMBOL**

Indicates danger, warning or caution. May be used in conjunction with other symbols or pictographs.



- **WARNING - READ OPERATOR'S MANUAL**

Read the operator's manual(s) and follow all warnings and safety instructions. Failure to do so can result in serious injury to the operator and/or bystanders.



- **WEAR EYE AND HEARING PROTECTION**

**WARNING:** Thrown objects and loud noise can cause severe eye injury and hearing loss. Wear eye protection meeting ANSI Z87.1 standards and ear protection when operating this unit. Use a full face shield when needed.



- **KEEP BYSTANDERS AWAY**

**WARNING:** Keep all bystanders, especially children and pets, at least 50 feet (15 m) from the operating area.

### SYMBOL

### MEANING



- **THROWN OBJECTS AND ROTATING CUTTER CAN CAUSE SEVERE INJURY**

**WARNING:** Do not operate without the cutting attachment shield in place. Keep away from the rotating cutting attachment.



- **BRUSHCUTTERS •REPLACE DULL BLADE**

Do not sharpen the cutting blade. Sharpening the blade can cause the blade tip to break off while in use. This can result in severe personal injury.



- **TRIMMER/ BRUSHCUTTER SAFETY**

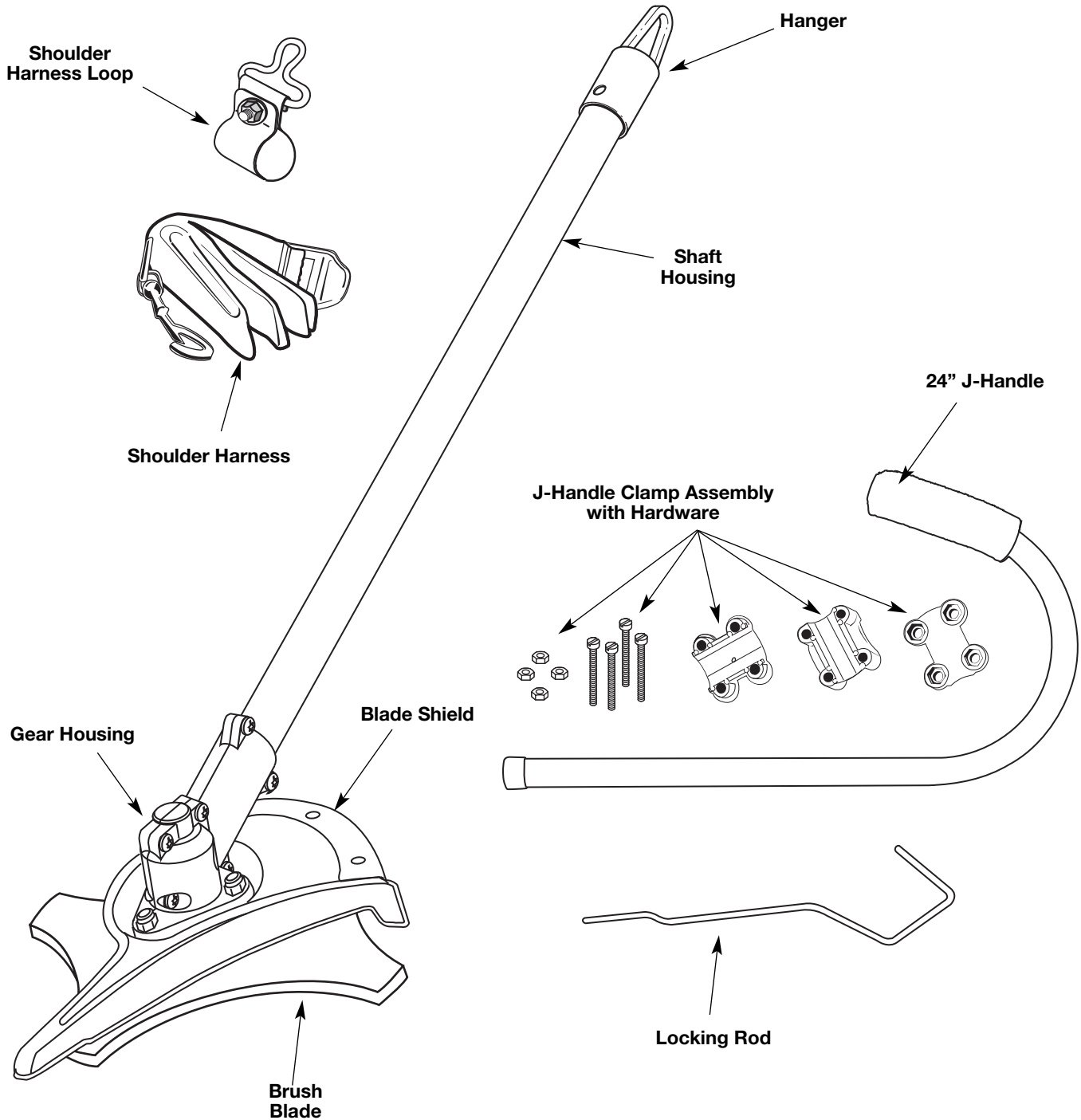
**WARNING:** Thrown objects and rotating cutter can cause severe injury. Keep bystanders, especially children and pets, at least 50 feet (15 m) away from the cutting area. The cutting attachment shield must be used when using the trimmer cutting attachment.

# RULES FOR SAFE OPERATION

## KNOW YOUR UNIT

### APPLICATIONS

- Cutting weeds and light brush of up to 1/2 inch in diameter



# ASSEMBLY INSTRUCTIONS

Before you can use the TBBC attachment, you must make some adjustments to the trimmer or trimmer/brushcutter that you are attaching the TBBC to. You will have to:

- Remove your current assist handle
- Install the supplied 24" J-handle
- Install the shoulder strap clip (if necessary)
- Attach/adjust the shoulder strap

These instructions are explained on the next couple pages.

## IDENTIFY & REMOVE YOUR ASSIST HANDLE

Your trimmer is configured with one of many types of assist handles. You must remove the current assist handle and install the 24" J-handle (included) in order to use the TBBC attachment.



**WARNING:** To comply with safety regulations, you **MUST** use the large 24" J-handle that is included with the attachment when operating the TBBC. The handle is required as a barrier bar to the brush blade.

Consult your trimmer's manual to determine what type of handle you have. Follow the instructions outlined in the manual in order to remove the current handle and its clamps, screws, nuts, bolts or other hardware.

**NOTE:** Your trimmer may be equipped with a small J-handle. This small handle is NOT an acceptable substitute for the larger J-handle that is included with the TBBC. Remove the smaller J-handle so you can install the larger, 24-inch handle.

## INSTALL AND ADJUST THE 24" J-HANDLE

### Installing

1. Remove the screws, nuts, clamp pieces that were installed on the J-handle for shipping.
2. Hold the bottom clamp to the underside of the shaft housing, about 7-8" from the shaft grip (Fig. 1).
3. Place the J-handle between the top and middle clamp pieces (Fig. 1).
4. While holding the three pieces together, install the four (4) screws through the top clamp and into middle clamp.

**NOTE:** The holes in the top and middle clamp will line up only when assembled correctly.

5. Place the clamps and J-handle the over the shaft housing and onto the bottom clamp.
6. Hold each hex nut in the bottom clamp recess with a finger. Start screws with a large Phillips screwdriver. Do not tighten until you make the handle adjustment.

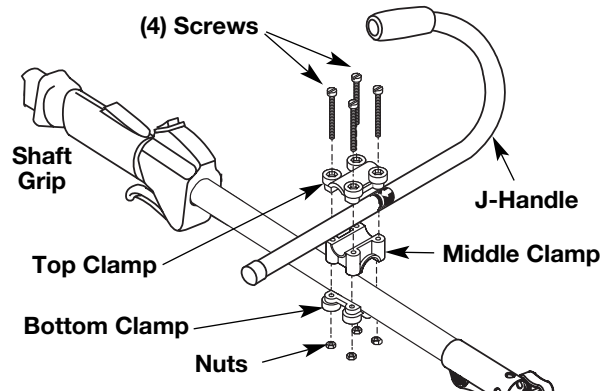


Fig. 1

### Adjusting

7. Loosen the screws so that the J-handle can be easily moved in the clamp assembly. Do not remove the screws or nuts.
8. Slide the J-handle in or out until the arrow/white line on the decal touches the clamp assembly (Fig. 2).
9. While holding the unit in the operating position (Fig. 3), maneuver the J-handle to the location that provides you the best grip.
10. Tighten the clamp screws evenly, until the J-handle is secure.

**NOTE:** Once the new J-handle is installed, there is **no need** to change back to the original handle when you are done using the attachment. Keep this new handle installed when you use your original unit as a string head trimmer.

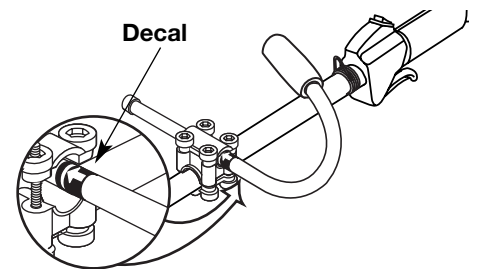


Fig. 2



Fig. 3



# ASSEMBLY INSTRUCTIONS

## INSTALL THE SHOULDER HARNESS LOOP

When operating the brushcutter attachment, you must use the shoulder harness that is provided with the unit.

Check to see if your trimmer has a wire form support fitting that you can clip the strap to. If your unit has the fitting that is shown in Figure 4, you do not need to install the harness loop provided. If so, head to the next section *Install the Harness*.

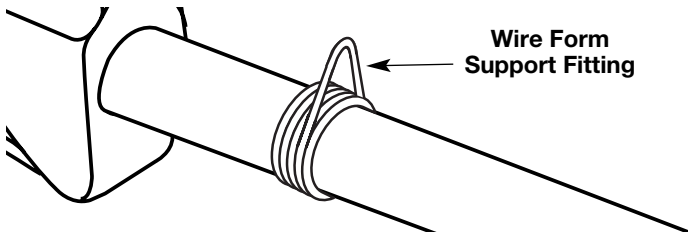


Fig. 4

If your trimmer does not have an existing wire form fitting, you must install the clip that is included with the TBBC.

To install the supplied shoulder harness clip:

1. Remove the bolt, nut and washer that were installed on the harness loop for shipping. Keep them handy.
2. Pull the clamp open and push it onto the boom.
3. Arrange the clip so that it is close to the shaft grip and away from the J-handle (Fig. 5).
4. Insert the bolt through the clip and secure it with the washer and nut, using a pair of pliers and a small crescent wrench.

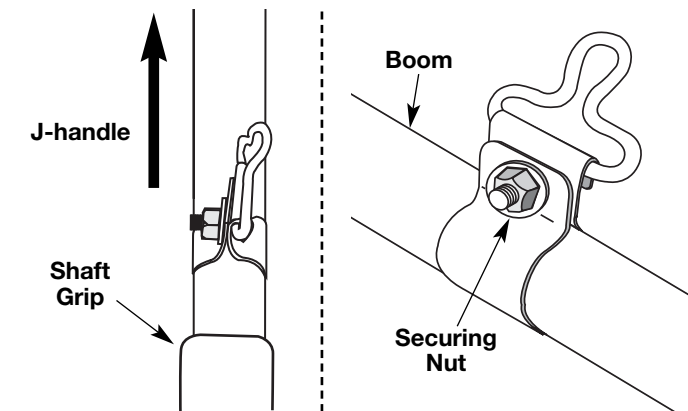


Fig. 5

## INSTALL THE SHOULDER HARNESS



**WARNING:** Always use the shoulder harness when using the cutting blade to avoid serious personal injury.

1. Push the strap through the center of the buckle.
2. Pull the strap over the cross bar and down through the slot in the buckle (Fig. 6).
3. Put the harness on over head and onto the left shoulder. Snap it on to the support fitting (Fig. 7).
4. Adjust length to fit the operator's size. Pull tab to lengthen, pull strap to shorten (Fig 8).

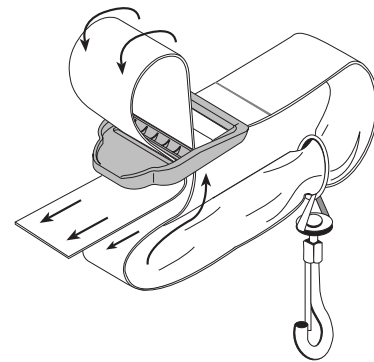


Fig. 6

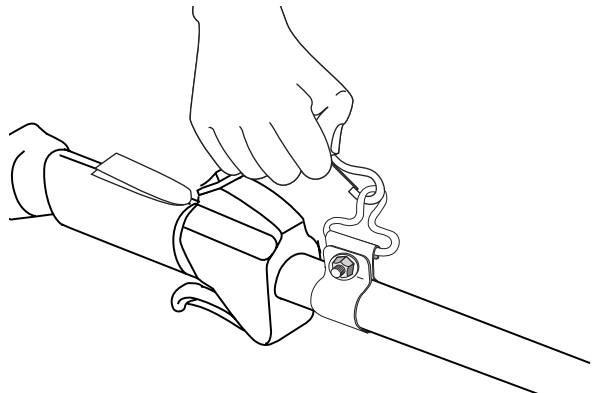


Fig. 7

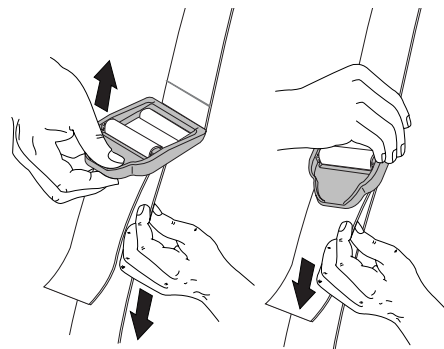


Fig. 8

# OPERATING INSTRUCTIONS



**WARNING:** Never use this attachment with an electric-powered unit. Only attach the TBBC to gas-powered trimmers or brushcutters. Use with an electric product could lead to damage to the unit or serious personal injury.

## OPERATING THE EZ-LINK™ SYSTEM

The following attachments are also available:

Cultivator .....	TBGC
Edger .....	TBLE
Hedge Trimmer .....	TBAH
Straight Shaft Trimmer .....	TBSS
Turbo Blower .....	TBTB
Pole Saw .....	TBPS



**WARNING:** When using any attachment, read and understand that attachment's specific manual before you begin operation. Follow all applicable safety information.



**WARNING:** To avoid serious personal injury and damage to the unit, shut the unit off before removing or installing add-ons.

## Removing the Add-On

1. Turn the knob counterclockwise to loosen (Fig. 9).
2. Press and hold the release button (Fig. 9).
3. While firmly holding the upper shaft housing, pull the add-on straight out of the EZ-Link™ coupler (Fig. 10).

## Installing the Add-On

**NOTE:** Place the unit on the ground or on a work bench to make add-on installation or removal easier.

1. Turn knob counterclockwise to loosen (Fig. 9).

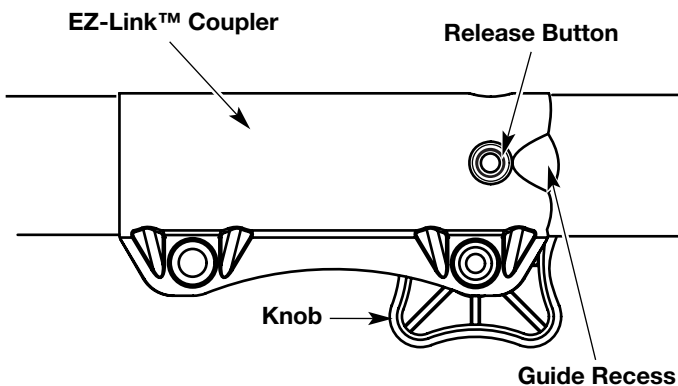


Fig. 9

2. While firmly holding the add-on, push it straight into the EZ-Link™ coupler (Fig. 10).

**NOTE:** Aligning the release button with the guide recess will help installation (Fig. 9).

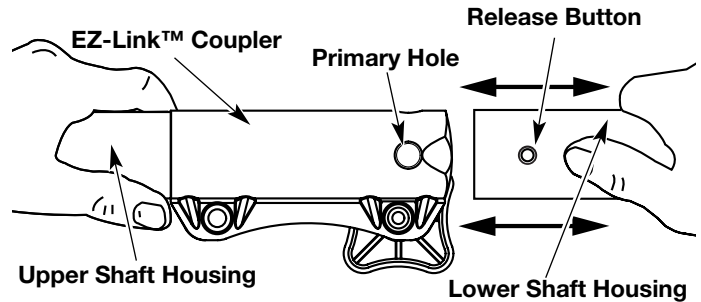


Fig. 10

3. Turn the knob clockwise to tighten (Fig. 9).



**CAUTION:** Lock the release button in the primary hole and securely tighten the knob before operating this unit.

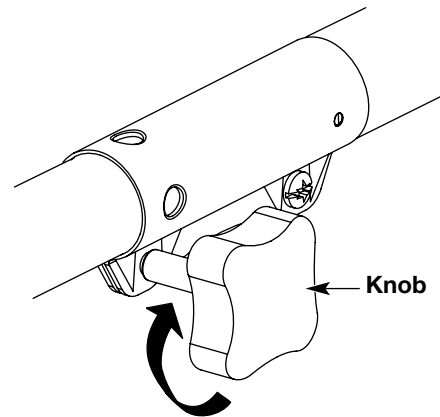


Fig. 11



**CAUTION:** Add-ons are to be used in the primary hole only. Using the wrong hole could lead to personal injury or damage to the unit.

# OPERATING INSTRUCTIONS



**WARNING:** Never use this attachment with an electric-powered unit. Only attach the TBBC to gas-powered trimmers or brushcutters. Use with an electric product could lead to damage to the unit or serious personal injury.

## HOLDING THE UNIT



**WARNING:** Always wear eye, hearing, foot and body protection to reduce the risk of injury when operating this unit.

Before operating the unit, stand in the operating position (Fig. 12). Check for the following:

- The operator is wearing eye protection and proper clothing
- With a slightly-bent right arm, the operator's right hand is holding the shaft grip
- The operator's left arm is straight, the left hand holding the J-handle
- The unit is at waist level
- The cutting blade is parallel to the ground and easily contacts the weeds or brush without the need to bend over

Once you are in the operating position, hook the shoulder strap to the unit. Check the length of the strap before operating. If it needs adjustment, refer to Step 4 of *Install the Shoulder Harness*.



Fig. 12



**WARNING:** Always wear eye, hearing, foot, body protection and the shoulder strap to reduce the risk of injury when operating this unit.



**WARNING:** Do not use the cutting blade for edging or as an edger. Severe personal injury to yourself or others can result.

## USING THE CUTTING BLADE

To establish a rhythmic cutting procedure:

- Plant feet firmly, comfortably apart.
- Bring the engine to full throttle before entering the material to be cut. At full throttle the blade has maximum cutting power and is less likely to bind, stall or cause blade thrust (which can result in serious personal injury to the operator or others).
- Cut while swinging the upper part of your body from left to right.



**WARNING:** Blade thrust may occur when the spinning blade contacts an object that it does not immediately cut. Blade thrust can be violent enough to cause the unit and/or operator to be propelled in any direction, and possibly lose control of the unit. Blade thrust can occur without warning if the blade snags, stalls or binds. This is more likely to occur in areas where it is difficult to see the material being cut.

- Always release the throttle trigger and allow the engine to return to idle speed when not cutting.
- When you are finished, always unsnap the unit from the harness before taking off the harness.



**WARNING:** The blade continues to spin after the engine is turned off. The coasting blade can seriously cut you if accidentally touched.

- Maneuver the unit in the opposite direction as the blade spins, which increases the cutting action.

# OPERATING INSTRUCTIONS

- After the return swing, move forward to the next area to be cut plant your feet again.
- The cutting blade is designed with a second cutting edge. You can use it by removing the blade, turning it upside down, and reinstalling it.



**WARNING:** Do not sharpen the cutting blade. Sharpening the blade can cause the blade tip to break off while in use. This can result in severe personal injury to yourself or others. Replace the blade.

To reduce the chance of material wrapping around the blade, follow these steps:

- Cut at full throttle
- Swing the unit into material to be cut from your left to your right (Fig. 13)
- Avoid the material just cut as you make the return swing



**WARNING:** Do not clear away any cut material with the engine running or blade turning. To avoid serious personal injury, turn off the engine. Allow the blade to stop before removing materials wrapped around the blade shaft.

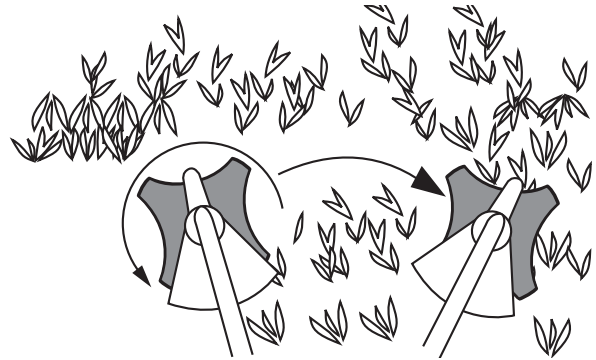


Fig. 13

# MAINTENANCE AND REPAIR INSTRUCTIONS

## REPLACING THE CUTTING BLADE

When the cutting blade gets dull, you need to replace it. Never sharpen a dull blade. Follow the instructions in this section to successfully replace the blade.



**WARNING:** To avoid serious personal injury, always wear gloves while handling or installing the blade.

### Remove the Cutting Blade

**NOTE:** To make cutting blade removal and installation easier, place the unit on the ground or on a work bench.

1. Align the shaft bushing hole with the locking rod slot and insert the locking rod into the bushing hole (Fig. 14).



**WARNING:** The gear housing gets hot with use. It can result in injury to the operator. The housing remains hot for a short time even after the unit is turned off. Do not touch the gear housing until it has cooled.

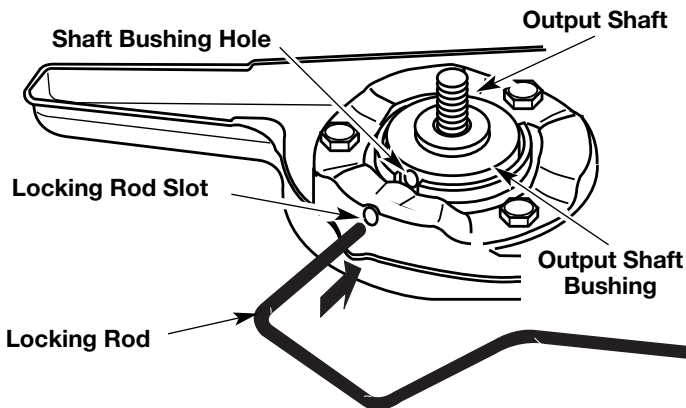


Fig. 14

2. Hold the locking rod in place by grasping it next to the boom of the unit (Fig. 15).
3. While holding the locking rod, loosen the nut on the blade by turning it clockwise with a 13 mm closed-end or socket wrench (Fig. 15).

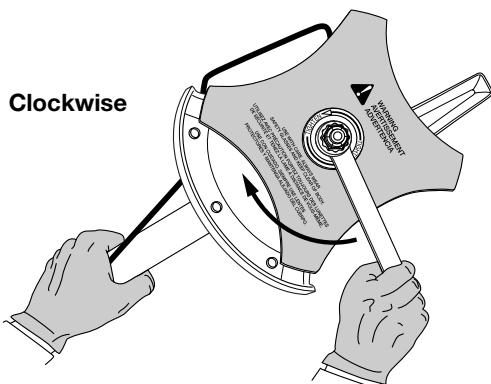


Fig. 15

4. Remove the nut, blade retainer and blade. Store the nut and blade together for future use in a secure place. Store out of children's reach.

### Install the New Cutting Blade



**WARNING:** To avoid serious personal injury, always wear gloves while handling or installing the blade.

1. Place the cutting blade on the output shaft bushing (Fig. 16).

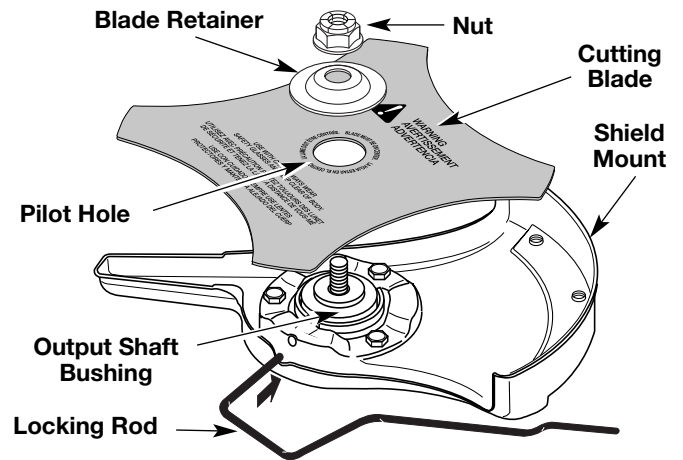


Fig. 16

2. Make sure that the cutting blade is centered on the pilot step and sitting flat against the output shaft bushing (Fig. 17).



**WARNING:** If the cutting blade is off-center, the unit will vibrate and the blade may fly off, causing possible serious personal injury.

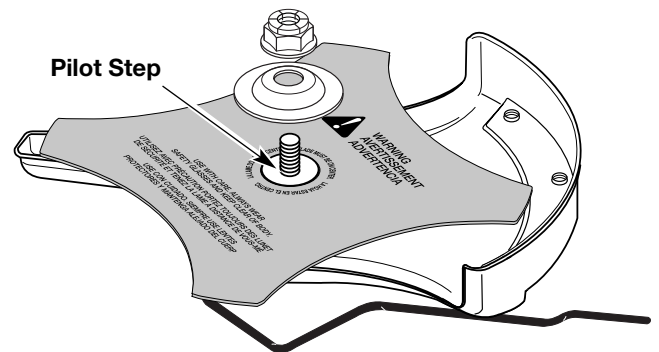


Fig. 17

# MAINTENANCE AND REPAIR INSTRUCTIONS

- Align the shaft bushing hole with the locking rod slot and insert the locking rod into the bushing hole (Fig. 14).
- Put the blade retainer and nut on the output shaft. Make sure that the blade is installed correctly.
- Tighten nut counterclockwise against the blade while holding the locking rod:
  - If using a torque wrench and an 13 mm socket tighten to: **325 - 335 in•lb, 27 - 28 ft.•lb, 37 - 38 N•m.**
  - Without a torque wrench, use a 13 mm closed-end or socket wrench, turning the nut until the blade retainer is snug against the shaft bushing. Make sure that the blade is installed correctly, then rotate the nut an additional 1/4 to 1/2 turn counterclockwise (Fig. 18).

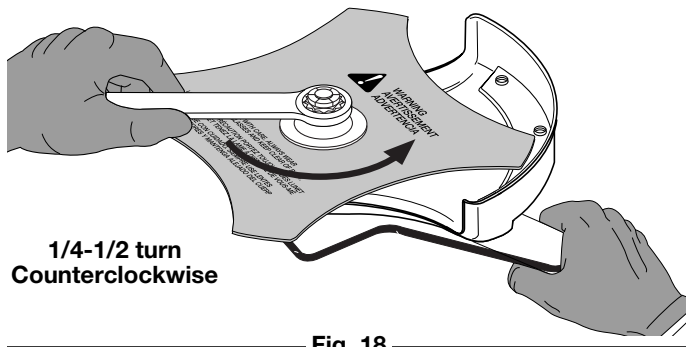


Fig. 18

- Remove the locking rod from the locking rod slot.



**WARNING:** To avoid serious personal injury or damage to the unit, do not start or operate this unit with the locking rod in the locking rod slot.



**WARNING:** Do not sharpen the cutting blade. Sharpening the blade can cause the blade tip to break off while in use. This can result in severe personal injury. Replace the blade.

## CLEANING



**WARNING:** To avoid serious personal injury, always turn your unit off and allow it to cool before you clean or service it.

Use a small brush to clean off the outside of the unit. Do not use strong detergents. Household cleaners that contain aromatic oils such as pine and lemon, and solvents such as kerosene, can damage plastic housing or handle. Wipe off any moisture with a soft cloth.

## STORAGE

- Store the unit locked up to prevent unauthorized use or damage.
- Store the unit in a dry, well-ventilated area.
- Store the unit out of the reach of children.

# SPECIFICATIONS

Approximate Attachment Weight .....	3.75 lbs. (1.7 kg)
Cutting Path Diameter, Cutting Blade .....	8 inches (204 mm)
Shoulder Harness .....	Single Quick-Snap

\*All specifications are based on the latest product information available at the time of printing. We reserve the right to make changes at any time without notice.



# MANUFACTURER'S LIMITED WARRANTY FOR:



The limited warranty set forth below is given by Troy-Bilt LLC ("Troy-Bilt") with respect with new merchandise purchased and used in the United States, its possessions and territories.

Troy-Bilt warrants this product against defects in material and workmanship for a period of two (2) years commencing on the date of original purchase and will, at its option, repair or replace, free of charge, any part found to be defective in material or workmanship. This limited warranty shall only apply if this product has been operated and maintained in accordance with the Operator's Manual furnished with the product, and has not been subject to misuse, abuse, commercial use, neglect, accident, improper maintenance, alteration, vandalism, theft, fire, water or damage because of other peril or natural disaster. Damage resulting from the installation or use of any accessory or attachment not approved by Troy-Bilt for use with the product(s) covered by this manual will void your warranty as to any resulting damage.

This warranty is limited to ninety (90) days from the date of original retail purchase for any Troy-Bilt product that is used for rental or commercial purposes, or any other income-producing purpose.

**HOW TO OBTAIN SERVICE:** Warranty service is available, WITH PROOF OF PURCHASE THROUGH YOUR LOCAL AUTHORIZED SERVICE DEALER. To locate the dealer in your area, please check for a listing in the Yellow Pages or contact the Customer Service Department of Troy-Bilt by calling **1-800-520-5520** or writing to P.O. Box 361131, Cleveland OH 44136-0019 or if in Canada call **1-800-668-1238**. No product returned directly to the factory will be accepted unless prior written permission has been extended by the Customer Service Department of Troy-Bilt.

**This limited warranty does not provide coverage in the following cases:**

- A. Tune-ups - Spark Plugs, Carburetor Adjustments, Filters
- B. Wear items - Bump Knobs, Outer Spools, Cutting Line, Inner Reels, Starter Pulley, Starter Ropes, Drive Belts
- C. Troy-Bilt does not extend any warranty for products sold or exported outside of the United States of America, its possessions and territories, except those sold through Troy-Bilt's authorized channels of export distribution.

Troy-Bilt reserves the right to change or improve the design of any Troy-Bilt product without assuming any obligation to modify any product previously manufactured.

**No implied warranty, including any implied warranty of merchantability or fitness for a particular purpose, applies after the applicable period of express written warranty above as to the parts as identified. No other express warranty or guaranty, whether written or oral, except as mentioned above, given by any person or entity, including a dealer or retailer, with respect to any product shall bind Troy-Bilt. During the period of the Warranty, the exclusive remedy is repair or replacement of the product as set forth above.** (Some states do not allow limitations on how long an implied warranty lasts, so the above limitation may not apply to you.)

**The provisions as set forth in this Warranty provide the sole and exclusive remedy arising from the sales. Troy-Bilt shall not be liable for incidental or consequential loss or damages including, without limitation, expenses incurred for substitute or replacement lawn care services, for transportation or for related expenses, or for rental expenses to temporarily replace a warranted product.** (Some states do not allow limitations on how long an implied warranty lasts, so the above limitation may not apply to you.)

In no event shall recovery of any kind be greater than the amount of the purchase price of the product sold. Alteration of the safety features of the product shall void this Warranty. You assume the risk and liability for loss, damage, or injury to you and your property and/or to others and their property arising out of the use or misuse or inability to use the product.

This limited warranty shall not extend to anyone other than the original purchaser, original lessee or the person for whom it was purchased as a gift.

**How State Law Relates to this Warranty:** This warranty gives you specific legal rights, and you may also have other rights which vary from state to state.

To locate your nearest service dealer dial **1-800-520-5520** in the United States or **1-800-668-1238** in Canada.

## Troy-Bilt LLC

P.O. Box 361131  
Cleveland, OH 44136-0019





## Manuel de L'utilisateur

# Débroussailleuse TBBC



**AVERTISSEMENT:** Ne jamais utiliser cet accessoire avec un appareil électrique. N'attachez le TBBC qu'à des coupe-bordures ou des débroussailleuses à essence. L'utilisation avec un produit électrique pourrait endommager l'appareil ou entraîner des blessures.

**IMPORTANT: LISEZ LES RÈGLES ET CONSIGNES DE SÉCURITÉ SOIGNEUSEMENT**



# CONSIGNES DE SÉCURITÉ

Les symboles de sécurité attirent votre attention sur des dangers potentiels. Ces symboles et leurs détails explicatifs méritent que vous les lisiez et compreniez bien. Les avertissements de sécurité ne peuvent éviter les dangers de par eux-mêmes. Les consignes ou mises en garde qu'ils donnent ne remplacent pas des mesures préventives appropriées contre les accidents.

## SYMBOLE SIGNIFICATION



### ALERTE DE SÉCURITÉ:

indique un danger, un avertissement ou une mise en garde. Soyez vigilant afin d'éviter toute blessure grave. Ce symbole peut être combiné à d'autres symboles ou pictogrammes.

**REMARQUE:** donne des informations ou des instructions vitales pour le fonctionnement ou l'entretien de l'équipement.

Lisez le(s) manuel(s) de l'utilisateur et suivez tous les avertissements et consignes de sécurité. Vous pourriez à défaut entraîner des blessures graves pour vous ou d'autres personnes.

SI VOUS AVEZ DES QUESTIONS, APPELEZ LE  
1-800-520-5520

## • IMPORTANTES CONSIGNES DE SÉCURITÉ •



**AVERTISSEMENT:** Ne jamais utiliser cet accessoire avec un appareil électrique. N'attachez le TBBC qu'à des coupe-bordures ou des débroussailleuses à essence. L'utilisation avec un produit électrique pourrait endommager l'appareil ou entraîner des blessures.



**AVERTISSEMENT:** Lorsque vous utilisez cette machine, vous devez respecter les consignes de sécurité. Veuillez lire attentivement ces instructions avant d'utiliser la machine pour vous assurer de la sécurité de l'opérateur et de toute personne dans les alentours. Conservez ces instructions pour un usage ultérieur.

### LISEZ TOUTES LES INSTRUCTIONS AVANT L'UTILISATION

- Lire les instructions attentivement. Se familiariser avec les commandes et l'utilisation correcte de cet outil.
- Ne pas utiliser l'outil si vous êtes fatigué, malade ou sous l'effet de l'alcool, de drogues ou de médicaments.
- Les enfants de moins de 15 ans ne doivent pas utiliser l'outil, exception faite des adolescents sous surveillance d'un adulte.
- Toutes les protections et tous les accessoires de sécurité doivent être en place avant d'utiliser l'outil.
- Inspecter l'outil avant utilisation. Remplacer les pièces endommagées. Regarder s'il y a des fuites de carburant. Vérifier que toute la boulonnerie est bien serrée et qu'aucune pièce ne manque. Remplacer les pièces de l'accessoire de coupe fêlées, ébréchées ou endommagées. Ne pas utiliser l'outil si des pièces sont desserrées ou endommagées.

## SYMBOLE SIGNIFICATION



**DANGER:** le non-respect d'un avertissement peut causer des dommages matériels ou des blessures graves à vous-même et d'autres personnes. Respectez les consignes de sécurité afin de réduire les risques d'incendie, d'électrocution et de blessures.



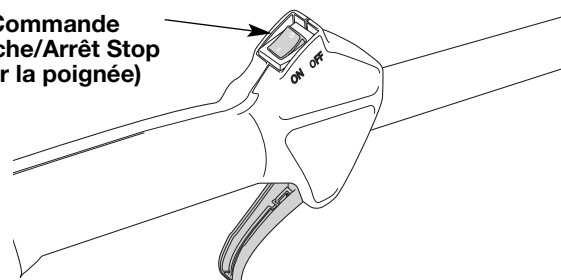
**AVERTISSEMENT:** le non-respect d'un avertissement peut causer des dommages matériels ou blessures graves à vous-même et d'autres personnes. Respectez les consignes de sécurité afin de réduire les risques d'incendie, d'électrocution et de blessures.



**MISE EN GARDE:** le non-respect d'un avertissement peut causer des dommages matériels ou blessures graves pour tous. Respectez toujours les consignes de sécurité afin de réduire les risques d'incendie, d'électrocution et de blessures.

- Être conscient du risque de blessures à la tête, les mains et les pieds.
- Inspecter soigneusement la zone de travail avant de démarrer l'outil. Éliminer tous les débris tels que morceaux de verre, fil de fer, etc.
- Éloigner toutes les personnes et animaux de la zone de travail. Prévoir une zone de sécurité dans un rayon d'au moins 15 m (50 pi) tout en restant conscient que des objets risquent d'être projetés au-delà de cette zone et blesser quelqu'un. Il est recommandé à toute personne se trouvant à proximité de porter des lunettes de sécurité. Arrêter immédiatement le moteur si quelqu'un s'approche.
- N'utiliser qu'avec des coupe-bordures à essence prévues pour des accessoires et dont l'interrupteur On/Off se trouve sur la poignée.

Commande  
Marche/Arrêt Stop  
(sur la poignée)



# CONSIGNES DE SÉCURITÉ

- Le TBBC est spécialement agréé pour être utilisé avec les modèles suivants des coupe-bordures acceptant des accessoires:

Ryobi:	Troy-Bilt:
775R	TB20CS
750R	TB25CS
790R	TB25ET
890R	TB70SS
	TB75SS
Yard Man:	TB90BC
YM25	TB425CS
YM75	TB475SS
YM90	TB490BC
YM26BC	
	Bolens (Canada):
Cub Cadet:	BL26BC
CC2025	
CC3075	Yardworks:
CC4025	60-2310-6
CC4075	60-2311-4
CC4090	60-2312-2

## AVERTISSEMENTS DE SÉCURITÉ CONCERNANT LES OUTILS À MOTEUR À ESSENCE



**AVERTISSEMENT:** L'essence est extrêmement inflammable et ses vapeurs peuvent exploser si on y met le feu. Veuillez prendre les précautions suivantes.

- Ne conserver le carburant que dans des récipients spécialement conçus et homologués pour le stockage de ce type de produit.
- Toujours arrêter le moteur et le laisser refroidir avant faire l'appoint de carburant. Ne jamais retirer le bouchon du réservoir de carburant ou faire l'appoint pendant que le moteur est chaud. Ne jamais utiliser l'outil sans que le bouchon du réservoir soit bien en place. Desserrer le bouchon lentement afin de relâcher la pression du réservoir.
- Mélanger et ajoutez le carburant dans un endroit bien aéré et propre, en plein air, à l'abri des sources d'étincelles ou flammes vives. Ne retirer (lentement) le bouchon du réservoir d'essence qu'après avoir arrêté le moteur. Ne pas fumer pendant l'approvisionnement ou le mélange de carburant. Essuyer immédiatement le carburant répandu sur l'outil.
- Éviter de créer une source d'allumage pour le carburant répandu. Ne pas lancer le moteur avant que toutes les vapeurs se soient dissipées.

- Éloigner l'outil d'au moins 9 m (30 pi) du point d'approvisionnement en carburant avant de démarrer le moteur. Ne pas fumer et éloigner toute source d'étincelles ou de flammes vives du point d'approvisionnement ou d'utilisation de l'outil.
- Appuyez sur la manette des gaz et assurez-vous qu'elle revient automatiquement en position de ralenti. Procédez à tous les réglages ou réparations avant d'utiliser l'appareil.
- Ne pas toucher le moteur, la boîte de vitesses ou l'échappement. Ces éléments chauffent très fort en cours d'utilisation et même après avoir arrêté la machine.
- Pour éviter tout risque d'incendie, remplacer un échappement ainsi que le pare-étincelles défectueux. Garder toujours le moteur propre. Éviter l'accumulation d'herbe, de feuilles, de graisse ou de carbone.
- Évitez de démarrer ou de faire marcher l'appareil à l'intérieur d'une pièce ou d'un bâtiment fermé. La respiration de fumées d'échappement peut tuer. Ne faites fonctionner cet appareil qu'à l'extérieur dans un endroit bien aéré.

## PENDANT L'UTILISATION DE L'APPAREIL

- Lire attentivement et vous assurer de bien comprendre les consignes de sécurité avant d'utiliser cette machine
- Inspecter soigneusement la machine pour des boulons et écrous dévissés ou d'autres pièces endommagées avant de continuer. Réparer ou remplacer si nécessaire.
- Portez des lunettes de sécurité conformes aux normes ANSI Z87.1 ainsi que des protège-oreilles durant l'utilisation de l'appareil. Portez un masque facial ou antipoussières si vous travaillez dans un lieu poussiéreux.
- Portez des pantalons épais et longs, des bottes, des gants et une chemise à manches longues. Ne marchez pas pieds nus et évitez les vêtements lâches, bijoux, pantalons courts et sandales. Relevez les cheveux au-dessus des épaules.
- Ajustez la poignée selon votre taille pour mieux l'agripper.
- N'utilisez l'appareil qu'en plein jour ou avec un bon éclairage artificiel.
- Évitez tout démarrage accidentel. Mettez-vous en position de démarrage chaque fois que vous tirez sur la corde de démarrage. L'opérateur et l'appareil doivent tous deux être en position stable à ce moment-là. Voir les *Instructions de démarrage et d'arrêt*.
- Toujours utiliser l'outil adéquat. N'utiliser l'outil que pour la tâche pour laquelle il a été conçu.
- Ne vous étirez pas. Tenez-vous toujours bien sur vos pieds en position d'équilibre.
- Tenez toujours l'appareil des deux mains lorsque vous le faites marcher. Agrippez fermement les poignées avant et arrière.
- Gardez les mains, le visage et les pieds éloignés des pièces mobiles.

# CONSIGNES DE SÉCURITÉ

- Ne faites pas fonctionner le moteur à un régime plus élevé que nécessaire pour couper, tailler ou faire les bordures. Ne faites pas tourner le moteur à haut régime si vous ne vous faites pas de coupe.
- Arrêtez toujours le moteur lorsque vous suspendez la coupe ou lorsque vous vous déplacez d'un lieu de travail vers un autre.
- Si vous heurtez un corps étranger ou que celui-ci est happé, arrêtez le moteur immédiatement et vérifiez que rien n'a été endommagé. Ne faites pas fonctionner avant réparation des dommages. Ne faites pas marcher l'appareil si les pièces sont desserrées ou endommagées.
- Arrêtez, éteignez le moteur et déconnectez la bougie pour l'entretien et la réparation.
- N'utilisez que des pièces véritables de rechange et accessoires d'origine du fabricant pour cet appareil. Elles sont disponibles auprès de votre concessionnaire agréé. L'utilisation de pièces ou accessoires autres que ceux de d'origine du fabricant peut causer des blessures graves, endommager l'appareil et annuler sa garantie.
- Gardez l'appareil exempt d'accumulation de végétation ou autres matières.
- Portez toujours le harnais d'épaule lorsque vous utilisez la lame à broussailles.
- Maintenez toujours la poignée entre l'opérateur et l'accessoire de coupe ou la lame.
- Ne coupez jamais si la lame de coupe est à plus de 76 cm (30 po) au-dessus du sol.
- Lorsque la lame pivotante frappe un objet qu'elle ne peut pas couper, elle donne un coup brusque qui peut pousser violemment l'opérateur et l'appareil vers n'importe quelle direction et faire perdre le contrôle de l'appareil. Ceci peut se produire à l'improviste si la lame s'accroche, cale ou se coince. Cela est plus susceptible de se produire dans les endroits où il est difficile de voir ce que l'on coupe.
- Avec une lame à broussailles, ne coupez rien de plus épais que 1,3 cm (1/2 po) au risque de provoquer un recul violent.
- N'essayez pas de toucher ni d'arrêter la lame pendant qu'elle tourne.
- La lame continue de tourner à vide une fois le moteur éteint ou la manette des gaz relâchée et peut causer des blessures graves. Gardez le contrôle jusqu'à ce qu'elle ait complètement arrêté de tourner.
- Ne faites pas tourner l'appareil à haut régime si vous ne faites pas de coupe.
- Si vous heurtez un corps étranger ou que celui-ci est happé, arrêtez le moteur immédiatement et vérifiez que rien n'a été endommagé. Réparez tout dommage éventuel avant de poursuivre le travail. N'utilisez pas l'appareil si la lame est tordue, fendillée ou émoussée. Jetez toute lame tordue, fendillée ou émoussée.
- N'aiguiser pas la lame de coupe car son extrémité risquerait de casser à l'usage et causer des blessures graves. Remplacez-la plutôt.
- N'utilisez pas la lame de coupe pour tailler les bordures ou comme coupe bordures. Cela peut entraîner des blessures graves à vous-même et aux autres. N'utilisez la lame de coupe que pour les tâches décrites dans ce manuel.
- Arrêtez le moteur IMMÉDIATEMENT si vous ressentez une vibration excessive car cela indique un problème. Vérifiez soigneusement qu'il n'y a ni écrous ni boulons desserrés, ni aucun dommage avant de continuer. Réparez ou remplacez les pièces affectées au besoin.

## APRÈS L'UTILISATION

- Nettoyez la lame de coupe avec un nettoyant ménager pour éliminer toute accumulation de gomme. Lubrifiez la lame avec de l'huile mécanique contre la rouille.
- Verrouillez et rangez la lame de coupe dans un lieu approprié pour éviter toute utilisation indésirable ou des dommages.

## AUTRES AVERTISSEMENTS DE SÉCURITÉ

- N'entrez jamais l'appareil rempli de carburant dans un édifice où les vapeurs peuvent atteindre une source de flammes vives ou d'étincelles.
- Laissez le moteur se refroidir avant de l'entreposer ou de le transporter. Attachez bien l'appareil pendant le transport.
- Rangez l'appareil dans un endroit verrouillé et sec, ou élevé et sec, hors de portée des enfants, pour éviter une utilisation indésirable ou un accident.
- Ne trempez et n'arrosez jamais l'appareil avec de l'eau ou tout autre liquide. Gardez les poignées sèches, propres et exemptes de débris. Nettoyez après chaque usage. Voir les sections *Nettoyage et Entreposage*.
- Conservez ces instructions. Consultez-les souvent et servez-vous en pour instruire d'autres usagers. Si vous prêtez l'appareil à quelqu'un, prêtez-lui également ces instructions.

## CONSERVEZ CES INSTRUCTIONS

# CONSIGNES DE SÉCURITÉ

## SYMBOLES DE SÉCURITÉ ET INTERNATIONAUX

Ce manuel de l'utilisateur décrit les symboles et pictogrammes de sécurité et internationaux pouvant apparaître sur ce produit. Consultez le manuel de l'utilisateur pour les informations concernant la sécurité, le montage, le fonctionnement, l'entretien et les réparations.

### SYMBOLE

### SIGNIFICATION



#### • SYMBOLE ALERTE DE SÉCURITÉ

Indique un danger, un avertissement ou une mise en garde. Ce symbole peut être combiné à d'autres symboles ou pictogrammes.



#### • AVERTISSEMENT - LISEZ LE MANUEL DE L'UTILISATEUR

Lisez le manuel de l'utilisateur et suivez tous les avertissements et consignes de sécurité. Vous pourriez à défaut entraîner des blessures graves pour vous ou d'autres personnes.



#### • PORTEZ DES PROTECTIONS (YEUX ET OREILLES)

**AVERTISSEMENT:** les objets projetés et les bruits forts peuvent endommager la vue et l'ouïe. Portez une visière de norme ANSI Z87.1-1989 et des protège-oreilles pendant l'utilisation.



#### • ÉLOIGNEZ LES SPECTATEURS

**AVERTISSEMENT:** éloignez tout spectateur, les enfants et les animaux domestiques en particulier, d'au moins 15 m (50 pi) de la zone de coupe.

### SYMBOLE

### SIGNIFICATION



#### • LES OBJETS PROJÉTÉS ET LA TÊTE ROTATIVE PEUVENT CAUSER DES BLESSURES GRAVES

**AVERTISSEMENT:** ne faites pas fonctionner sans protecteur de sécurité en plastique. Tenez-vous à l'écart de l'accessoire de coupe rotatif.



#### • DÉBROUSSAILLEUSES : remplacez la lame émoussée

N'aiguissez pas la lame de coupe car son extrémité risquerait de casser à l'usage et causer des blessures graves.



#### • DÉSHERBEUSE/ DÉBROUSSAILLEUSE: SÉCURITÉ

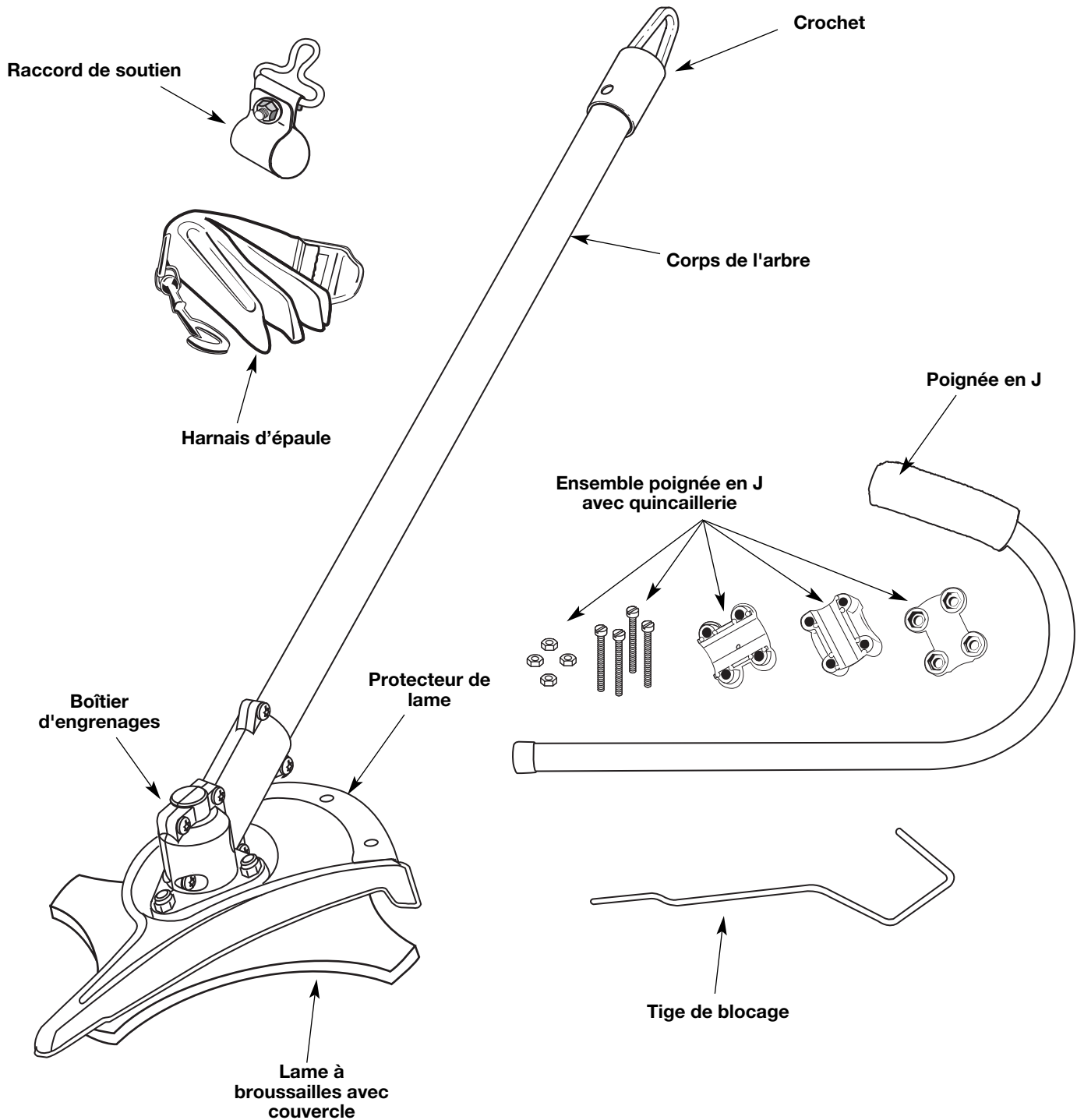
**AVERTISSEMENT :** les objets projetés et la tête coupante rotative peuvent causer des blessures graves. Éloignez les spectateurs, les enfants et les animaux domestiques en particulier, d'au moins 15 m (50 pieds) de la zone de coupe. Vous devez utiliser le protecteur d'accessoire de coupe lorsque vous vous servez de l'accessoire de coupe de la désherbeuse.

# CONSIGNES DE SÉCURITÉ

## FAMILIARISEZ-VOUS AVEC VOTRE APPAREIL

### APPLICATIONS

- Coupe de mauvaises herbes et broussailles légères de 1,3 cm (1/2") de diamètre maximum



# INSTRUCTIONS DE MONTAGE

Avant d'utiliser l'accessoire TBBC, vous devez procéder à certains changements au coupe-bordures ou au coupe-bordures/débroussailluse auquel vous ajoutez le TBBC. Vous devrez :

- Enlever la poignée existante
- Installer la poignée en J de 24 po.
- Installer l'attache de la bandoulière (si nécessaire)
- Attacher/ajuster la bandoulière

Voir instructions dans les pages suivantes.

## IDENTIFIER ET RETIRER LA POIGNÉE EXISTANTE

Votre coupe-bordures est configuré avec l'un des nombreux types de poignées. Vous devez retirer la poignée existante et installer la poignée en J de 24 po. (comprise) pour pouvoir utiliser l'accessoire TBBC.



**AVERTISSEMENT:** Pour répondre aux règles de sécurité, vous DEVEZ utiliser la grande poignée en J de 24 po. qui est comprise avec l'accessoire lors de l'utilisation du TBBC. La poignée est requise comme barrière à la lame de débroussaillage.

Consultez le mode d'emploi de votre coupe-bordures pour déterminer le type de poignée dont il est équipé. Suivez les instructions du manuel pour retirer la poignée existante et ses colliers de serrage, vis, écrous, boulons et autre quincaillerie.

**REMARQUE :** Il se peut que votre coupe-bordures soit équipé d'une petite poignée en J. Cette petite poignée NE peut PAS remplacer la plus grande poignée en J qui est comprise avec le TBBC. Retirez la petite poignée en J pour installer celle de 24 po.

## INSTALLATION ET RÉGLAGE DE LA POIGNÉE EN J

1. Retirez les vis, écrous et les pièces de serrage qui étaient sur la poignée en J pour l'envoi.
2. Attachez le collier de serrage inférieur à la partie inférieure du logement de l'arbre, à environ 17 à 20 cm (7 à 8 po.) de la poignée de l'arbre (Fig.1).
3. Placez la poignée en J entre les brides supérieure et médiane (Fig. 1).
4. Maintenez les trois pièces ensemble et introduisez les quatre (4) vis dans les brides supérieure et médiane.

**REMARQUE:** les trous des brides supérieure et médiane ne sont alignés que si l'assemblage est correct.

5. Placez les brides et la poignée en J sur le corps de l'arbre et sur la bride inférieure.
6. Tenez d'un doigt chaque écrou hex dans le renforcement de la bride inférieure. Commencez à visser à l'aide d'un grand tournevis à embout cruciforme. Ne serrez pas avant de régler le guidon.

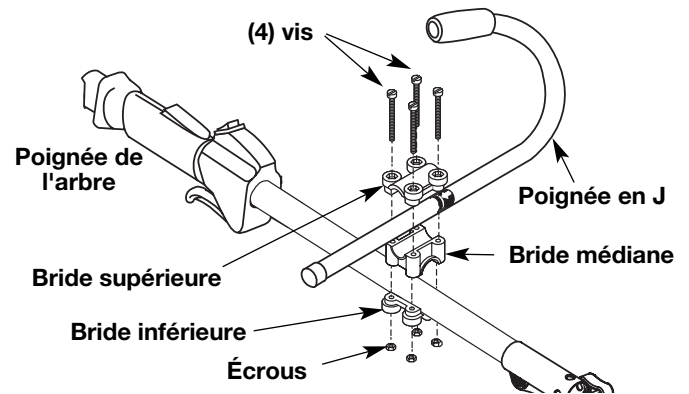


Fig. 1

7. Glissez la poignée en J en un mouvement de va-et-vient jusqu'à ce que la flèche/ligne blanche de l'autocollant touche la bride (Fig. 2).
8. Tenez l'appareil en position d'utilisation (Fig. 3), puis positionnez la poignée en J de manière à assurer une prise idéale.
9. Serrez les vis des brides uniformément jusqu'à bien fixer la poignée

**REMARQUE :** Une fois la nouvelle poignée en J installée, il n'est pas nécessaire de réinstaller la poignée d'origine après avoir utilisé l'accessoire. Laissez la nouvelle poignée en place lorsque vous utiliser la machine dans sa configuration originale comme coupe-bordures à fils.

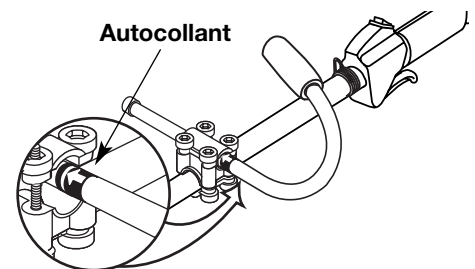


Fig. 2



Fig. 3



# INSTRUCTIONS DE MONTAGE

## INSTALLATION DE LA BOUCLE DE LA BANDOULIÈRE

Lorsque vous opérez l'accessoire débroussailluse, vous devez utiliser la bandoulière fournie avec la machine.

Examinez votre coupe-bordures pour voir s'il est équipé d'une boucle dans laquelle vous pouvez attacher la bandoulière. Si votre machine possède l'attache montrée en Figure 4, vous ne devez pas installer la boucle de bandoulière fournie. Si tel est le cas, consultez le chapitre suivant *Installation de la bandoulière*.

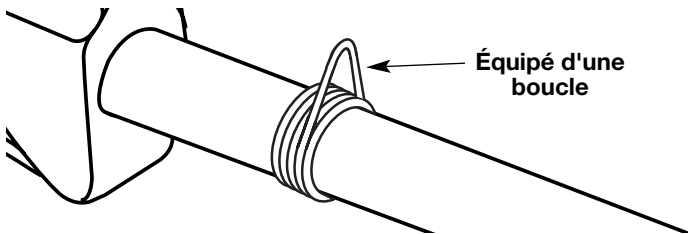


Fig. 4

Si votre coupe-bordures n'est pas équipé d'une boucle, vous devez installer le clip qui est compris avec le TBBC.

Pour installer le clip de bandoulière fourni :

1. Retirez le boulon, l'écrou et la rondelle qui étaient installés sur la boucle de la bandoulière pour l'envoi. Gardez-les à portée de main.
2. Ouvrez le collier de serrage et poussez-le sur l'arbre.
3. Arrangez le clip de façon à ce qu'il soit proche de la poignée de l'arbre et éloigné de la poignée en J (Fig. 5)
4. Insérez le boulon dans le clip et serrez-le avec la rondelle et l'écrou, en vous servant de pinces et d'une petite clé à molette.

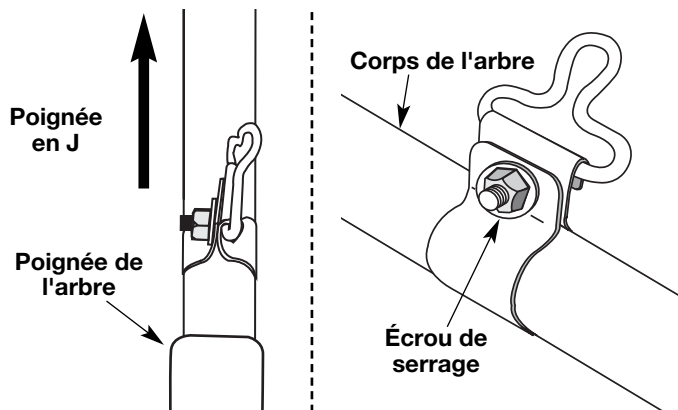


Fig. 5

## INSTALLER LE HARNAIS



**AVERTISSEMENT:** portez toujours le harnais d'épaule lorsque vous utilisez la lame de coupe afin d'éviter de vous blesser.

1. Faites passer la bandoulière au centre de la boucle.
2. Tirez la bandoulière par-dessus la traverse et à travers la fente de la boucle (Fig. 6).
3. Passez le harnais par-dessus la tête puis sur l'épaule. Accrochez-le au raccord de soutien (Fig. 7).
4. Réglez la longueur en fonction de la taille de l'opérateur. Tirez la languette pour rallonger ou tirez la bande pour raccourcir (Fig. 8).

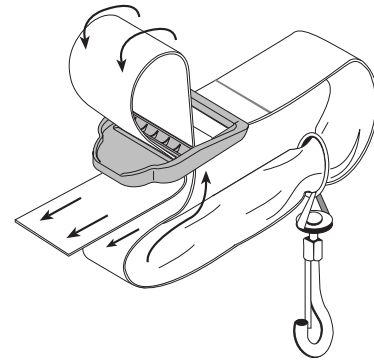


Fig. 6

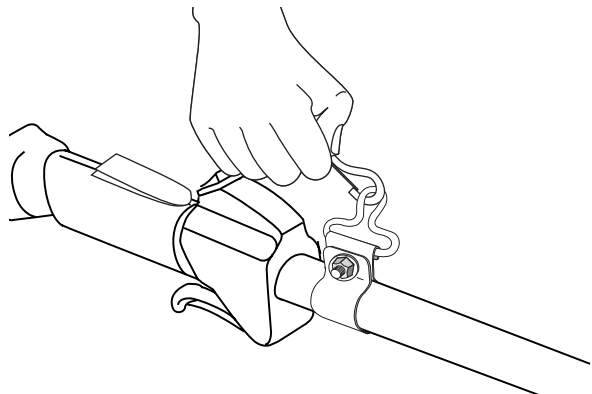


Fig. 7

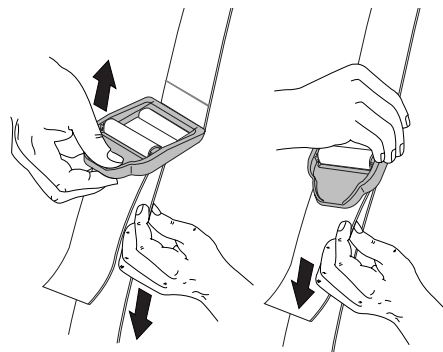


Fig. 8



# MODE D'EMPLOI



**AVERTISSEMENT:** Ne jamais utiliser cet accessoire avec un appareil électrique. N'attachez le TBBC qu'à des coupe-bordures ou des débroussailleuses à essence. L'utilisation avec un produit électrique pourrait endommager l'appareil ou entraîner des blessures.

## TENUE DE LA DÉSHERBEUSE



**AVERTISSEMENT:** portez toujours des protections (yeux, oreilles, pieds et corps) pour diminuer les risques de blessures durant l'utilisation de l'appareil.

Avant de faire marcher l'appareil, tenez-vous en position de fonctionnement (Fig. 12). Vérifiez les points suivants:

- L'opérateur porte une visière et des vêtements appropriés.
- Le bras droit est légèrement plié et la main tient l'arbre par sa prise.
- Le bras gauche est droit et la main tient la poignée.
- L'appareil est au-dessous de la ceinture.
- La lame de coupe est parallèle au sol et touche facilement la végétation sans que l'opérateur ne doive se pencher.

Une fois que vous êtes en position de fonctionnement, accrochez la bandoulière à l'unité. Vérifiez la longueur de la bandoulière avant d'opérer la machine. Si elle doit être ajustée. Consultez l'étape 4 de *Installation de la bandoulière*.



Fig. 12



**AVERTISSEMENT:** portez toujours des protections (yeux, oreilles, pieds et corps) et la bandoulière pour diminuer les risques de blessures durant l'utilisation de l'appareil.



**AVERTISSEMENT:** n'utilisez pas la lame de coupe comme coupe-bordure, cela peut entraîner des blessures graves pour vous ou d'autres personnes.

## UTILISATION DE LA LAME DE COUPE

Comment adopter un bon rythme de coupe :

- Plantez les pieds fermement en les écartant confortablement.
- Lancez le moteur à pleine puissance avant de couper. La lame a une puissance de coupe maximale quand le moteur est à pleins gaz et est alors moins susceptible de se coincer, caler ou donner des coups, ce qui pourrait causer des blessures graves à l'opérateur et aux autres personnes.
- Coupez tout en balançant le haut du corps de gauche à droite.



**AVERTISSEMENT:** lorsque la lame pivotante frappe un objet qu'elle ne peut couper, elle donne un coup brusque qui peut pousser violemment l'opérateur et l'appareil vers n'importe quelle direction et faire perdre le contrôle de l'appareil. Ceci peut se produire brusquement si la lame s'accroche, cale ou se coince, notamment dans les endroits où il est difficile de voir ce que l'on coupe.

- Lorsque vous ne coupez pas, relâchez toujours la manette des gaz et laissez le moteur tourner au ralenti.
- Lorsque vous avez fini, dégagez toujours l'appareil du harnais avant d'enlever celui-ci.
- Balancez l'appareil dans le opposé sens que celui de la rotation de la lame, ce qui accroît la puissance de coupe.



**AVERTISSEMENT:** la lame continue de tourner à vide une fois le moteur éteint et peut vous blesser sérieusement si vous la touchez accidentellement.

## MODE D'EMPLOI

- Avancez vers la zone à couper suivante, après avoir ramené l'appareil, et plantez fermement les pieds de nouveau.
- La lame de coupe comporte un second bord coupant que vous pouvez utiliser. Pour cela, retirez la lame, retournez-la et fixez-la de nouveau.

	<b>AVERTISSEMENT:</b> n'aiguissez pas la lame de coupe car son extrémité risquerait de casser à l'usage et causer des blessures graves à vous-même ou à d'autres personnes. Remplacez-la plutôt
---	---

Pour diminuer les risques d'enroulement des matériaux autour de la lame, suivez les points suivants :

- Coupez à pleins gaz.
- Balancez l'appareil de gauche à droite tout en pénétrant dans la zone à couper (Fig. 13).
- Évitez, sur le mouvement de retour, les matières que vous venez de couper.

	<b>AVERTISSEMENT:</b> ne déblayez pas les matières coupées pendant que le moteur ou la lame tournent. Pour éviter des blessures graves, éteignez le moteur et laissez la lame s'arrêter avant de dégager les matières enroulées autour de l'axe de la lame.
---	---

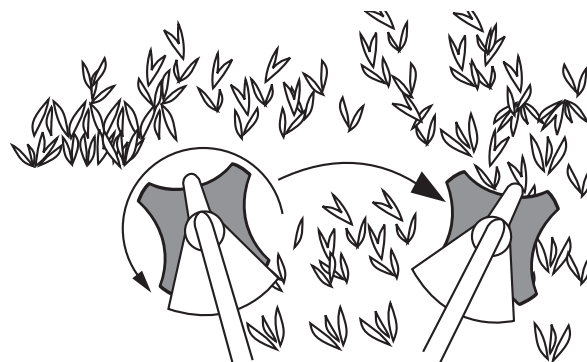


Fig. 13

# INSTRUCTIONS DE MONTAGE

## REPLACEMENT DE LA LAME DE COUPE

Lorsque la lame de coupe s'émousse, vous devez la remplacer. N'aigüez jamais une lame émoussée. Suivez les instructions dans cette section pour remplacer la lame.



**AVERTISSEMENT:** pour éviter des blessures graves, portez toujours des gants lorsque vous manipulez ou installez la lame.

### Retirer la lame de coupe

**REMARQUE :** pour faciliter le retrait ou l'installation de la lame ou de l'accessoire de coupe, placez l'appareil au sol ou sur un établi.

1. Alignez le trou de la bague de l'arbre avec la fente de la tige de blocage, puis insérez la tige dans le trou de la bague (Fig. 14).



**AVERTISSEMENT:** le boîtier d'engrenages chauffe à l'usage et peut blesser l'opérateur. Il reste chaud brièvement après l'arrêt. Ne le touchez pas tant qu'il n'a pas refroidi.

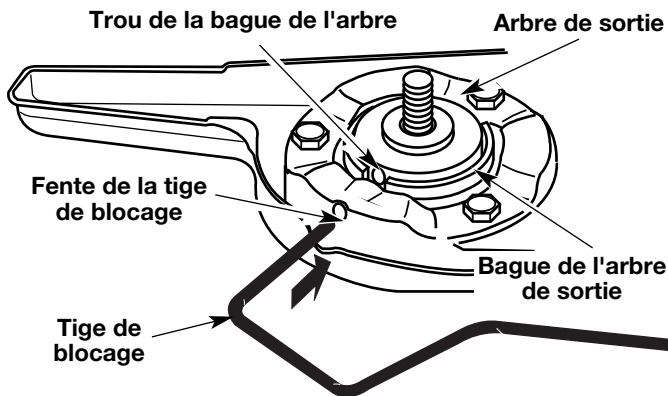


Fig. 14

2. Maintenez la tige de blocage en place en la saisissant près du bras de l'appareil (Fig. 15).
3. Tenez la tige de blocage et desserrez l'écrou de la lame en le tournant à droite avec une clé fermée ou à douille de 13 mm (Fig. 15).



Fig. 15

4. Retirez l'écrou, la retenue de lame et la lame. Rangez l'écrou et la lame ensemble en lieu sûr pour un usage ultérieur. Gardez hors de portée des enfants.

### Installer la lame de coupe



**AVERTISSEMENT:** pour éviter des blessures graves, portez toujours des gants lorsque vous manipulez ou installez la lame.

1. Placez la lame de coupe sur la bague de l'arbre de sortie (Fig. 16).

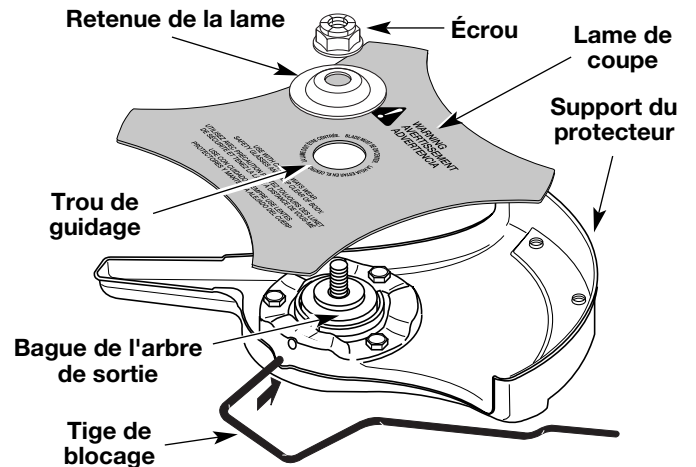


Fig. 16

2. Assurez-vous que la lame de coupe est centrée sur le pas de guidage et qu'elle repose à plat contre la bague de l'arbre de sortie (Fig. 17).



**AVERTISSEMENT:** si la lame de coupe est décentrée, l'appareil vibrera et la lame pourrait s'envoler, ce qui causerait des blessures graves.

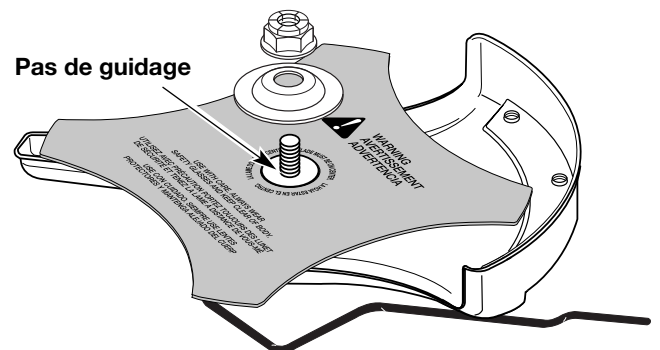


Fig. 17

# INSTRUCTIONS DE MONTAGE

- Alignez le trou de la bague de l'arbre avec la fente de la tige de blocage, puis insérez la tige dans le trou (Fig. 14).
- Placez la retenue et l'écrou de la lame sur l'arbre de sortie. Assurez-vous que la lame est bien mise.
- Vissez l'écrou vers la gauche contre la lame tout en tenant la tige de blocage :
  - Si vous utilisez une clé dynamométrique et une douille de 13 mm, vissez selon les valeurs de couple suivantes: **325 - 335 po•lb, 27 - 28 pi•lb, 37 -38 N•m.**
  - Si vous n'avez pas de clé dynamométrique, utilisez une clé fermée ou à douille de 13 mm et tournez l'écrou jusqu'à ce que la retenue soit bien ajustée contre la bague de l'arbre. Assurez-vous que la lame est bien mise, puis donnez à l'écrou entre 1/4 et 1/2 tour supplémentaire à gauche (Fig. 18).

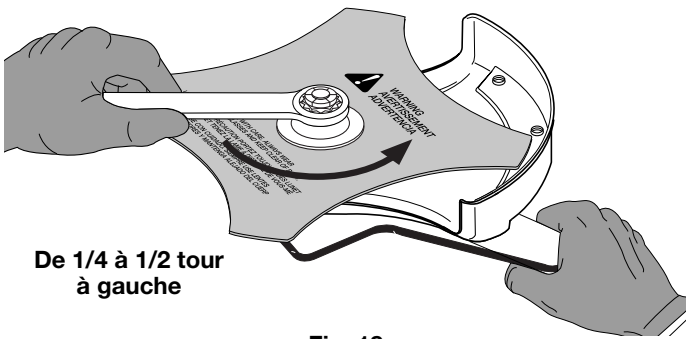


Fig. 18

- Retirez la tige de blocage de sa fente.



**AVERTISSEMENT:** pour éviter des blessures graves et ne pas endommager l'appareil, ne le faites pas marcher avec la tige de blocage dans sa fente.



**AVERTISSEMENT:** n'aiguissez pas la lame de coupe : son extrémité pourrait casser à l'usage et causer des blessures graves. Remplacez-la plutôt.

## NETTOYAGE



**AVERTISSEMENT:** pour éviter des blessures graves, éteignez toujours la désherbeuse et laissez-la refroidir avant tout nettoyage ou entretien.

Nettoyez l'extérieur de l'appareil à l'aide d'une petite brosse. N'utilisez pas de détergents concentrés. Les nettoyants ménagers contenant des huiles aromatiques tel que le pin et le citron, et les solvants tel que le kérosène peuvent endommager le boîtier ou la poignée en plastique. Essayez toute trace d'humidité à l'aide d'un tissu doux.

## ENTREPOSAGE

- Rangez l'appareil dans un lieu verrouillé pour éviter toute utilisation ou accident indésirable.
- Rangez l'appareil dans un lieu sec et bien aéré.
- Rangez l'appareil hors de la portée des enfants.

# CARACTÉRISTIQUES

Poids de l'appareil.....	1,7 kg (3,75 lb)
Diamètre du chemin de coupe, lame de coupe.....	204 mm (8 po)
Harnais d'épaule.....	Fermeture rapide unique

\*Toutes les spécifications contenues dans ce manuel tiennent compte des dernières informations techniques disponibles au moment de mettre sous presse. Nous nous réservons le droit d'y apporter des modifications à tout moment, sans préavis.

## GARANTIE LIMITÉE DU FABRICANT POUR:



La garantie limitée énoncée ci-après est accordée par Troy-Bilt LLC (« Troy-Bilt ») et concerne les marchandises neuves achetées et utilisées aux États-Unis, ainsi que dans leurs possessions et territoires.

Troy-Bilt garantit ce produit contre tout vice de matière ou de façon pendant une période de deux (2) ans à compter de la date d'achat initiale et elle se réserve le choix de réparer ou de remplacer, à titre gratuit, toute pièce présentant un vice de matière ou de façon. Cette garantie limitée ne s'appliquera que dans la mesure où le produit aura été utilisé et entretenu conformément au Guide de l'utilisateur fourni avec le produit et n'aura pas fait l'objet d'un usage inadéquat, abusif, commercial ou négligent, d'un accident, d'un entretien inadéquat, d'une modification, de vandalisme, d'un vol, d'un incendie, de dégâts d'eau ou d'un endommagement résultant d'un autre péril ou d'un désastre naturel. Les dommages résultants de l'installation ou de l'utilisation de tout accessoire ou équipement non approuvé par Troy-Bilt pour une utilisation avec le(s) produit(s) couvert(s) par le présent guide annuleront la garantie et ce qui concerne les dommages qui en résulteraient éventuellement. La présente garantie est limitée à quatre-vingt-dix (90) jours à compter de la date d'achat au détail initiale pour tout produit Troy-Bilt utilisé à des fins locatives ou commerciales, ou toute utilisation produisant des revenus.

**POUR L'ENTRETIEN-DÉPANNAGE :** L'Entretien-dépannage au titre de la garantie est disponible, SUR PRÉSENTATION DE PREUVE D'ACHAT, AUPRÈS DU DISTRIBUTEUR AGRÉÉ LOCAL. Pour obtenir le nom du distributeur agréé local, consulter les Pages Jaunes ou se mettre en rapport avec le Service après-vente de Troy-Bilt en appelant le **1-800-520-5520** ou en écrivant au P.O. Box 361131, Cleveland OH 44136-0019 ou en appelant le **1-800-668-1238** au Canada. Aucun produit retourné à l'usine sans permission écrite préalable du service après-vente de Troy-Bilt ne sera accepté.

**La garantie limitée n'offre aucune couverture dans les cas suivants :**

- A. Mises au point – Bougies, réglages de carburateur, filtres.
- B. Articles d'usure – Bouton de butée, bobines extérieures, fil de coupe, bobines intérieures, poulie de démarrage, cordes de démarrage, courroies d'entraînement.
- C. Troy-Bilt n'accorde aucune garantie pour les produits vendus ou exportés des États-Unis, de leurs possessions et territoires, exception faite en ce qui concerne les produits vendus par l'intermédiaire de ses canaux agréés de distribution à l'exportation.

Troy-Bilt se réserve le droit de modifier ou d'améliorer la conception de tout produit Troy-Bilt sans assumer l'obligation de modifier tout produit d'une fabrication plus ancienne.

**Aucune garantie implicite, y compris toute garantie de valeur marchande ou d'adaptation à une fin particulière, ne s'applique après la période applicable de garantie expresse écrite ci-dessus concernant les pièces qui sont identifiées. Aucune autre garantie ou caution expresse, écrite ou orale, à l'exception de celle mentionnée ci-dessus, accordée par toute personne ou entité, y compris tout distributeur ou détaillant, concernant tout produit n'engagera la responsabilité de Troy-Bilt. Pendant la période de garantie, le remède exclusif est la réparation ou le remplacement du produit dans les conditions énoncées ci-dessus.** (Certains états ne permettent pas la limitation de la garantie implicite, il est donc possible que la limitation ci-dessus ne s'applique pas à vous.)

**Les clauses énoncées dans la présente Garantie constituent le recours unique et exclusif inhérent aux ventes. Troy-Bilt ne sera en aucun cas tenue pour responsable de tout dommage indirect ou consécutif ou de dommages comprenant, entre autres mais pas seulement, les dépenses encourues du fait du recours à des services de remplacement ou de substitution pour l'entretien des pelouses, le transport ou des frais connexes, ou les frais entraînés par une location destinée à remplacer provisoirement un produit sous garantie.** (Certains états ne permettent pas la limitation de la garantie implicite, il est donc possible que la limitation ci-dessus ne s'applique pas à vous.)

Aucun recouvrement, quel qu'il soit, ne sera d'un montant supérieur au prix du produit vendu. Toute modification des dispositifs de sécurité du produit annulera la présente Garantie. Vous assumez tout risque et toute responsabilité résultant de la perte, de l'endommagement ou du préjudice que vous et votre propriété et/ou d'autres et leur propriété pourront encourir du fait de l'utilisation normale, de la mauvaise utilisation ou de l'empêchement d'utiliser le produit.

La présente garantie limitée n'est accordée qu'à l'acheteur initial, au preneur initial ou à la personne à laquelle le produit a été offert.

**Le Droit des États vis à vis de la présente garantie :** la présente garantie vous confère certains droits juridiques, et vous pouvez bénéficier d'autres droits, lesquels varient d'une juridiction à l'autre.

Pour obtenir l'adresse du distributeur agréé le plus proche, composer le : **1-800-345-8746** aux États-Unis ou le **1-800-668-1238** au Canada.

## Troy-Bilt LLC

P.O. Box 361131  
Cleveland, OH 44136-0019





# INTRODUCCION

## MUCHAS GRACIAS

Gracias por haber adquirido este gran producto. Esta moderna herramienta motriz de exteriores está diseñada para brindarle muchas horas de servicio útil. Usted comprobará que es un artefacto que le ahorrará mucho trabajo. Este manual del operador le brinda instrucciones de operación de fácil comprensión. Lea todo el manual y siga todas las instrucciones para mantener su nueva herramienta motriz de exteriores en las mejores condiciones de funcionamiento.

## REFERENCIAS, ILUSTRACIONES Y ESPECIFICACIONES DEL PRODUCTO

Toda la información, las ilustraciones y las especificaciones contenidas en este manual se basan en la información más reciente disponible en el momento de impresión del manual. Nos reservamos el derecho de hacer cambios en cualquier momento sin aviso previo.

Copyright© 2004 MTD SOUTHWEST INC. Todos los derechos reservados.

## INFORMACION DEL SERVICIO

Llame **1-800-345-8746** en EE.UU. o al **1-800-668-1238** en Canada para obtener una lista de distribuidores de servicio localizados cerca de usted. Para obtener más detalles sobre su unidad, visite nuestro sitio en [www.troybilt.com](http://www.troybilt.com).

**NO REGRESE SU UNIDAD AL VENDEDOR. PARA SOLICITAR SERVICIO POR LA GARANTIA, DEBERA PRESENTAR PRUEBA DE SU COMPRA.**

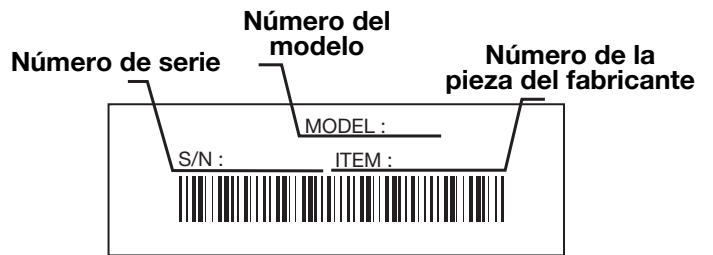
ESTE PRODUCTO ESTA CUBIERTO POR UNA O MAS PATENTES DE EE.UU., OTRAS PATENTES EN TRAMITE.

El servicio de esta unidad, ya sea durante o después del período cubierto por la garantía, debe ser realizado solamente por un proveedor de servicios autorizado y aprobado.

## INDICE DE CONTENIDOS

Llamadas a apoyo al cliente . . . . .	2
Normas para una operación segura . . . . .	3
Conozca su unidad . . . . .	7
Instrucciones de ensamble . . . . .	8
Instrucciones de operación . . . . .	10
Instrucciones de mantenimiento y reparación . . . .	13
Especificaciones . . . . .	14
Garantía . . . . .	16
Lista de Piezas . . . . .	Contraportada

Antes de que empiece a ensamblar su nuevo equipo, por favor ubique la placa que contiene el modelo de la unidad y escriba esa información en el espacio en blanco aquí debajo. Aquí debajo se explica la muestra de una placa del modelo.



**Copie el número del modelo/ pieza del fabricante aquí:** \_\_\_\_\_

**Copie el número de serie aquí:** \_\_\_\_\_

# NORMAS PARA UNA OPERACION SEGURA

Los símbolos de seguridad se utilizan para llamar su atención sobre posibles peligros. Los símbolos de seguridad y sus explicaciones merecen toda su atención y comprensión. Los símbolos de seguridad no eliminan ningún peligro por sí mismos. Las instrucciones o advertencias que ofrecen no substituyen las medidas adecuadas de prevención de accidentes.

## SÍMBOLO SIGNIFICADO



### ALERTA DE SEGURIDAD:

Indica peligro, advertencia o precaución. Debe prestar atención para evitar sufrir graves lesiones personales. Puede ser utilizado junto con otros símbolos o figuras.

**NOTA:** Le ofrece información o instrucciones que son esenciales para la operación o mantenimiento del equipo.

Lea el manual del operador y siga todas las advertencias e instrucciones de seguridad. De no hacerlo, el operador y/o los espectadores pueden sufrir graves lesiones.

SI TIENE PREGUNTAS, LLAME AL 1-800-520-5520

## SÍMBOLO SIGNIFICADO



**PELIGRO:** El no obedecer una advertencia de seguridad puede conducir a que usted u otras personas sufran graves lesiones. Siga siempre las precauciones de seguridad para reducir el riesgo de incendio, descarga eléctrica y lesiones personales.



**ADVERTENCIA:** El no seguir una advertencia de seguridad puede conducir a que usted u otras personas sufran lesiones. Siga siempre las precauciones de seguridad para reducir el riesgo de incendio, descarga eléctrica y lesiones personales.



**PRECAUCIÓN:** El no seguir una advertencia de seguridad puede conducir a daños a la propiedad o a que usted u otras personas sufran lesiones personales. Siga siempre las precauciones de seguridad para reducir el riesgo de incendio, descarga eléctrica y lesiones personales.

## • IMPORTANTE INFORMACIÓN DE SEGURIDAD •



**ADVERTENCIA:** Nunca use este accesorio con una unidad accionada por energía eléctrica. Conecte el TBBC únicamente a recortadores o cortamalezas accionados por motor de gasolina. El uso con un producto eléctrico pudiera resultar en daño a la unidad o lesión personal grave.

### LEA TODAS LAS INSTRUCCIONES ANTES DE LA OPERACIÓN



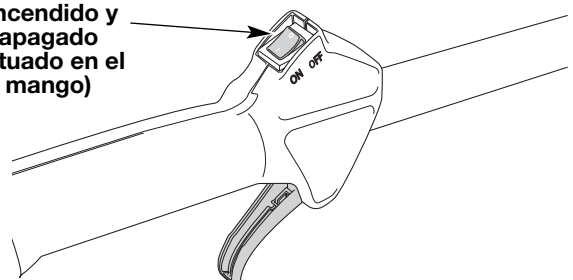
**ADVERTENCIA:** Al usar la unidad, obedezca las reglas de seguridad. Lea estas instrucciones antes de operar la unidad a fin de garantizar la seguridad del operador y de cualquier espectador. Conserve estas instrucciones para uso futuro.

- Lea todas las instrucciones con cuidado. Conozca bien los controles y el uso correcto de la unidad.
- No opere esta unidad si está cansado, enfermo, o bajo los efectos del alcohol, drogas o medicamentos.
- Los niños y los adolescentes menores de 15 años no deben operar las unidades, excepto por los adolescentes guiados por un adulto.
- Todas las protecciones y accesorios de seguridad deberán estar debidamente instalados antes de operar la unidad.
- Inspeccione la unidad antes de utilizarla. Cambie las partes dañadas. Verifique si existen pérdidas de combustible. Asegúrese de que los sujetadores estén bien colocados y asegurados. Cambie las piezas que estén quebradas, cascadas o dañadas de cualquier

forma. No opere la unidad con piezas flojas o dañadas.

- Tenga en cuenta el riesgo de lesiones en la cabeza, manos y pies.
- Examine minuciosamente el área antes de activar la unidad. Retire todos los escombros y objetos duros o cortantes, tales como vidrios, alambres, etc.
- Desaloje el área de niños, espectadores y animales domésticos. Mantenga todos los niños, espectadores y animales domésticos a un radio de por lo menos 15 m (50 pies); aún así puede existir un riesgo de objetos despedidos contra los espectadores. Los espectadores deben usar protección para sus ojos. Si alguien se le acerca, pare la unidad de inmediato.
- Solamente para usar en recortadores accionados por gasolina, con capacidad para accesorios, que tengan el control de encendido y apagado en el mango.

Control de encendido y apagado (situado en el mango)



# NORMAS PARA UNA OPERACION SEGURA

- El TBBC está aprobado específicamente para usarse con los siguientes modelos de recortadores con capacidad de accesorios:

Ryobi:	Troy-Bilt:
775R	TB20CS
750R	TB25CS
790R	TB25ET
890R	TB70SS
	TB75SS
<b>Yard Man:</b>	TB90BC
YM25	TB425CS
YM75	TB475SS
YM90	TB490BC
YM26BC	
	<b>Bolens (Canada):</b>
<b>Cub Cadet:</b>	BL26BC
CC2025	
CC3075	<b>Yardworks:</b>
CC4025	60-2310-6
CC4075	60-2311-4
CC4090	60-2312-2

## ADVERTENCIAS DE SEGURIDAD PARA LAS UNIDADES A GASOLINA



**ADVERTENCIA:** La gasolina es muy inflamable y sus gases pueden explotar si se encienden. Tome las siguientes precauciones:

- Guarde el combustible en envases que hayan sido diseñados y aprobados para el almacenamiento de dichos materiales.
- Antes de llenar el tanque de combustible, apague siempre el motor y espere a que se enfríe. No retire nunca la tapa del tanque de combustible ni cargue combustible mientras el motor esté caliente. No opere nunca la unidad sin la tapa del combustible colocada firmemente en su lugar. Afloje la tapa del combustible lentamente para disipar la presión del tanque.
- Mezcle y cargue el combustible en un área exterior bien ventilada donde no haya chispas ni llamas. Quite lentamente la tapa del combustible sólo después de apagar el motor. No fume mientras carga o mezcla el combustible. Limpie de inmediato todo el combustible que se haya derramado.
- Evite crear una fuente de ignición para el combustible derramado. No arranque el motor hasta que se hayan disipado los vapores del combustible.
- Aleje la unidad a por lo menos 9,1 m (30 pies), del lugar de carga de combustible antes de arrancar el motor. No fume, mantenga las chispas y las llamas expuestas lejos del área mientras carga el combustible u opera la unidad.

- Oprima el control del regulador y verifique que regrese automáticamente a la posición de mínima. Haga todos los ajustes o reparaciones antes de usar la unidad.
- No toque el motor, el bastidor del engranaje ni el silenciador. Estas partes se calientan mucho con la operación. Luego de apagar la unidad, permanecen calientes durante un tiempo breve.
- Para reducir el riesgo de incendio, cambie los silenciadores y amortiguadores de chispas defectuosos, mantenga el motor y el silenciador libre de pasto, hojas, grasa excesiva o acumulaciones de carbono.
- No arranque ni opere la unidad en una sala o edificio cerrado. Los gases de escape de monóxido de carbono pueden ser letales en un área cerrada. Opere esta unidad sólo en un área exterior bien ventilada.

## DURANTE LA OPERACIÓN

- Lea y comprenda todas las advertencias de seguridad antes de operar esta unidad.
- Inspeccione si hay tuercas o pernos flojos o partes dañadas antes de continuar. Repare o cambie las partes afectadas, según sea necesario.
- Use lentes o gafas de protección que cumplan con las normas ANSI Z87.1, y que estén marcadas así. Use protección para sus oídos/audición mientras opere esta unidad. Use siempre una máscara facial o para protegerse contra el polvo si la operación levanta polvo.
- Use pantalones largos y gruesos, botas, guantes y camisa de manga larga. No use ropa holgada, alhajas, pantalones cortos, sandalias ni esté descalzo. Sostenga el cabello sobre el nivel de los hombros.
- Ajuste la manija en J a su tamaño de modo que le brinde el mejor agarre.
- Use la unidad únicamente con la luz del día o con buena luz artificial.
- Evite arrancar la unidad accidentalmente. Colóquese en posición de inicio siempre que tire de la cuerda de arranque. El operador y la unidad deben estar en una posición estable al comenzar. Lea las *instrucciones de Arranque y Apagado* que están en el manual.
- Use la herramienta adecuada. No use esta unidad para ninguna tarea para la cual no ha sido diseñada.
- No se estire demasiado. Mantenga siempre una posición y equilibrio adecuados.
- Sostenga siempre la unidad con ambas manos mientras esté en funcionamiento. Sostenga con firmeza tanto el mango como la manija auxiliar.
- Mantenga las manos, la cara y los pies lejos de todas las partes móviles.
- No opere el motor a una velocidad mayor que la necesaria para cortar. No haga funcionar el motor a alta velocidad mientras no está cortando.
- Apague siempre el motor cuando demore el corte o mientras camina entre zonas de corte.

# NORMAS PARA UNA OPERACION SEGURA

- Si golpea o se enreda con algún objeto extraño, apague el motor de inmediato y verifique si hay daños. Repare todos los daños antes de volver a intentar operar la unidad. No opere la unidad si tiene piezas flojas o dañadas.
- Pare la unidad, apague el motor y desconecte la bujía para realizar tareas de mantenimiento o reparaciones.
- Use sólo piezas y accesorios de repuesto del fabricante del equipo original para esta unidad. Puede obtenerlos en su proveedor de servicio autorizado. El uso de piezas o accesorios no autorizados puede causar graves lesiones al usuario o daños a la unidad, y la cancelación de su garantía.
- Mantenga la unidad libre de vegetación y otros materiales.
- Use siempre el arnés del hombro mientras opere el accesorio de la cuchilla de corte.
- Mantenga siempre la manija en J entre el operador y el accesorio o cuchilla de corte.
- NUNCA corte con la cuchilla ubicada a más de 76 cm (30 pulgadas) de altura sobre el nivel del suelo.
- Cuando la cuchilla giratoria hace contacto con un objeto que no corta de inmediato, puede ocurrir un impulso de la cuchilla. El empujón brusco de la cuchilla puede ser lo suficientemente violento como para hacer que la unidad y/o el operador sean impulsados en cualquier dirección, y posiblemente perder el control de la unidad. El empujón brusco de la cuchilla puede ocurrir si la cuchilla tropieza, se traba o se atasca. Es más posible que esto ocurra en áreas donde es difícil ver el material que está cortando.
- Cuando opere con la cuchilla, no corte nada que tenga un grosor de más de 13 mm (1/2 pulgada) ya que podría causar una reacción violenta.
- No intente tocar ni detener la cuchilla mientras está girando.
- Una cuchilla en deslizamiento puede causar graves lesiones mientras continúa girando luego de apagar el motor o de soltar el gatillo del regulador. Mantenga buen control hasta que la cuchilla se haya detenido por completo.
- No haga funcionar la unidad a alta velocidad mientras no está cortando.
- Si golpea o se enreda con un objeto extraño, detenga el motor de inmediato y verifique si hay daños. Haga reparar todos los daños antes de intentar volver a operar la unidad. No opere esta unidad con la cuchilla doblada, cascada ni desafilada. Descarte las cuchillas dobladas, torcidas, cascadas o rotas.
- No afile la cuchilla de corte. Si afila la cuchilla puede desprenderse la punta durante su uso. Esto puede causar graves lesiones personales. Cambie la cuchilla.
- No use la cuchilla de corte para bordes o como recortadora de borde, ya que puede conducir a que

usted u otras personas sufran graves lesiones. Use la cuchilla de corte solamente para el propósito descrito en este manual.

- Si siente una vibración excesiva, apague el motor DE INMEDIATO. la vibración indica que hay problemas. Inspeccione si hay tuercas o pernos flojos o daños antes de continuar. Repare o cambie las piezas afectadas según sea necesario.

## DESPUÉS DEL USO

- Limpie las cuchillas de corte con un limpiador doméstico para eliminar toda acumulación de goma. Aceite la cuchilla con aceite de máquina para evitar que se oxide.
- Guarde la cuchilla de corte bajo llave en un área adecuada para evitar que sea utilizada por personas no autorizadas o se dañe.

## OTRAS ADVERTENCIAS DE SEGURIDAD

- No guarde nunca la unidad con combustible en el tanque en un edificio donde los gases puedan llegar a una llama expuesta o a una chispa.
- Espere a que el motor se enfríe antes de guardar o transportar la unidad. Asegúrese de que la unidad esté sujeta al transportarla.
- Guarde la unidad en un lugar seco, bajo llave o en alto, lejos del alcance de los niños, para evitar que sea usada por personas no autorizadas o se dañe.
- Nunca moje ni rocíe la unidad con agua ni con ningún otro líquido. Mantenga las manijas secas, limpias y sin residuos. Limpie la unidad luego de cada uso, lea las instrucciones de *Limpieza y Almacenamiento*.
- Guarde estas instrucciones. Consúltelas con frecuencia y utilícelas para enseñar a otros usuarios. Si le presta esta unidad a alguien, préstele también estas instrucciones.

## CONSERVE ESTAS INSTRUCCIONES

# NORMAS PARA UNA OPERACION SEGURA

## SIMBOLOS DE SEGURIDAD E INTERNACIONALES

Este manual del operador describe los símbolos y figuras de seguridad e internacionales que pueden aparecer en este producto. Lea el manual del operador para obtener información completa acerca de la seguridad, ensamble, operación y mantenimiento y reparación.

### SIMBOLO

### SIGNIFICADO



#### • SIMBOLO DE ALERTA DE SEGURIDAD

Indica peligro, advertencia o precaución. Puede ser utilizado junto con otros símbolos o figuras.



#### • ADVERTENCIA - LEA EL MANUAL DEL OPERADOR

Lea el manual del operador y siga todas las advertencias e instrucciones de seguridad. De no hacerlo, el operador y/o los espectadores pueden sufrir graves lesiones.



#### • USE PROTECCION OCULAR Y AUDITIVA

**ADVERTENCIA :** Los objetos arrojados por la unidad y el ruido fuerte pueden causar graves lesiones oculares y pérdida auditiva. Utilice protección ocular que cumpla con las normas ANSI Z87.1 y protección auditiva cuando opere esta unidad. Use una careta completa cuando la necesite.



#### • MANTENGA ALEJADOS A LOS ESPECTADORES

**ADVERTENCIA :** Mantenga a todos los espectadores, en especial a niños y animales domésticos a por lo menos 50 pies (15 m.) del área de corte.

### SIMBOLO

### SIGNIFICADO



#### • LOS OBJETOS DESPEDIDOS Y LA CUCHILLA ROTATIVA PUEDEN CAUSAR GRAVES LESIONES

**ADVERTENCIA:** No opere esta unidad si la protección plástica de línea no está colocada en su lugar. Manténgase alejado del accesorio de corte giratorio.



#### • CORTADORAS DE MALEZAS • Cambie la cuchilla desafilada

No afile la cuchilla de corte. El afilar la cuchilla puede causar que la punta se desprenda mientras está en uso. Esto puede dar lugar a graves lesiones personales.



#### •SEGURIDAD DE LA RECORTADORA Y CORTADORA DE MALEZAS

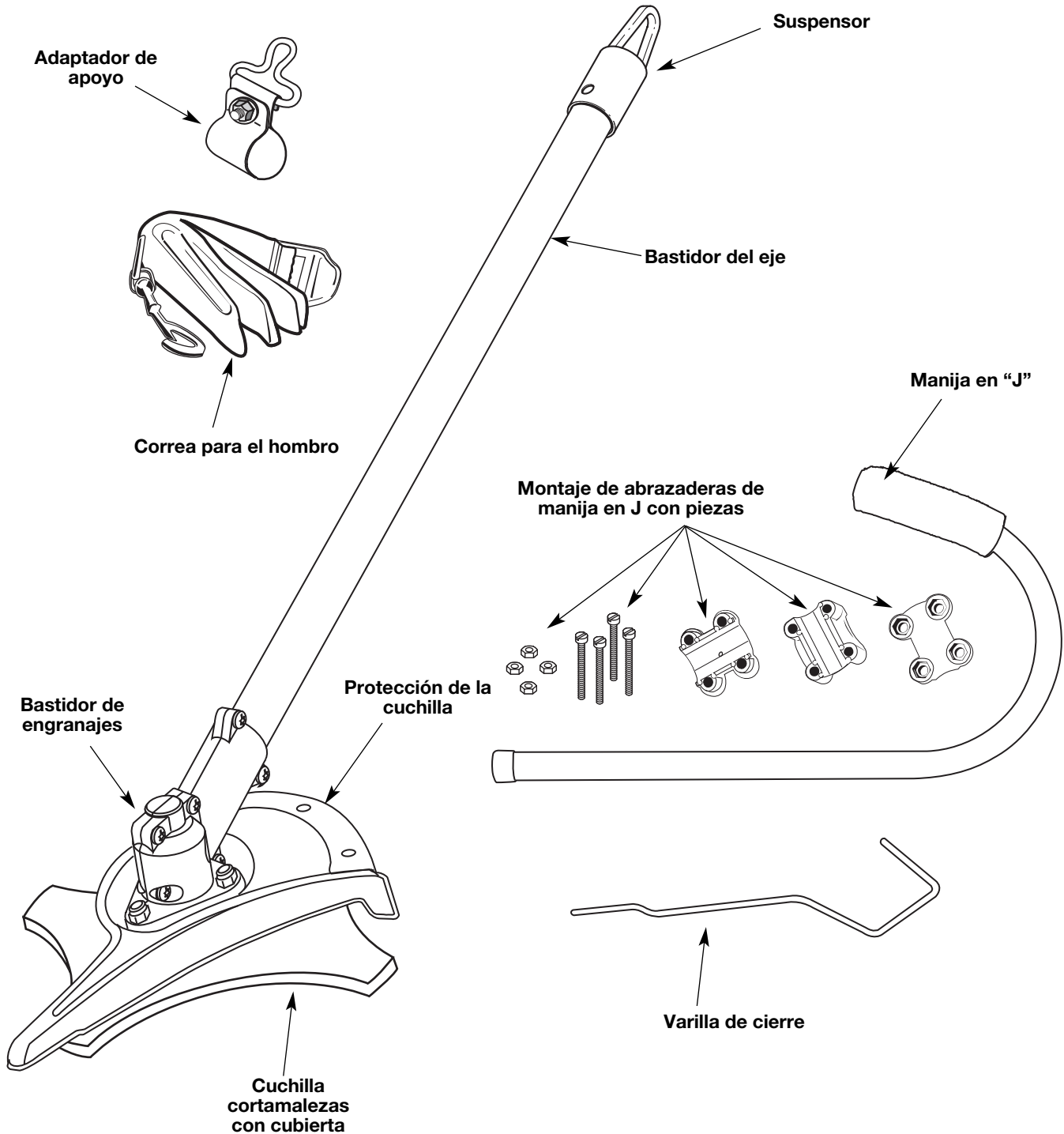
**ADVERTENCIA:** Los objetos que salen despedidos y la cortadora giratoria pueden causar graves lesiones. Mantenga a los espectadores, especialmente a los niños y animales domésticos a no menos de 15 m (50 pies) de distancia del área de corte. Debe utilizar el protector accesorio de corte mientras use el accesorio de corte de la recortadora.

# NORMAS PARA UNA OPERACION SEGURA

## CONOZCA SU UNIDAD

### APLICACIONES

- Corte de hierbas y arbustos delgados de hasta 1,3 cm (1/2 pulgada) de diámetro



# INSTRUCCIONES DE ENSAMBLE

Antes de usar el accesorio TBBC, debe hacer varios ajustes al recortador o recortador/cortamalezas al cual le conecta el TBBC. Usted tendrá que:

- Retirar su manija auxiliar actual
- Instalar la manija en J de 24 pulgadas que se suministra
- Instalar el sujetador de la correa para el hombro (en caso necesario)
- Conectar/ajustar la correa para el hombro

Estas instrucciones se explican en las dos páginas siguientes.

## IDENTIFIQUE Y RETIRE SU MANIJA AUXILIAR

Su recortador está configurado con uno de los muchos tipos de manijas auxiliares. Debe retirar la manija auxiliar actual e instalar la manija en J de 24 pulgadas (60,96 cm) (que se incluye) para poder usar el accesorio TBBC.



**AVERTISSEMENT:** Para cumplir con las regulaciones de seguridad, al operar el TBBC, usted DEBE usar la manija en J más grande de 24 pulgadas (60,96 cm) que se incluye con el accesorio. Se requiere esta manija como barra de obstáculo a la cuchilla de corte de malezas.

Consulte su manual de recortador para determinar qué tipo de manija tiene usted. Siga las instrucciones indicadas en el manual a fin de retirar la manija actual y sus abrazaderas, tornillos, tuercas, pernos y demás piezas.

**NOTA:** Su recortador pudiera estar equipado con una pequeña manija en J. Esta pequeña manija NO es un sustituto aceptable para la manija en J más grande que se incluye con el TBBC. Retire la pequeña manija en J de modo que pueda instalar la manija más grande de 24 pulgadas (60,96 cm).

## INSTALACIÓN Y AJUSTE DE LA MANIJA EN J

1. Retire los tornillos, tuercas y piezas de abrazaderas que se instalaron en la manija en J para su envío.
2. Sostenga la abrazadera inferior a la parte de abajo del bastidor del eje, aproximadamente de 178 a 203 mm (de 7 a 8 pulgadas) del mango del eje (Fig. 1).
3. Coloque la manija en J entre la abrazadera superior y la abrazadera media (Fig. 1).
4. Mientras sostiene las tres piezas juntas, instale los cuatro (4) tornillos a través de la abrazadera superior en la abrazadera media.

**NOTA:** Los orificios de la abrazadera superior y media se alinearán sólo cuando se ensamble en forma correcta.

5. Coloque las abrazaderas y la manija en J por encima del bastidor del eje y sobre la abrazadera inferior.

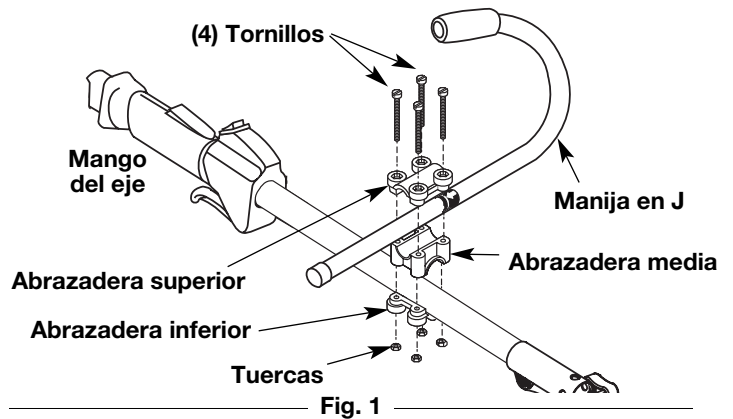


Fig. 1

6. Sostenga cada tuerca hexagonal en el hueco de la abrazadera inferior con un dedo. Comience a colocar los tornillos con un destornillador Phillips grande. No los apriete hasta ajustar la manija.
7. Deslice la manija en J hacia dentro o hacia fuera hasta que la flecha o línea blanca de la calcomanía toque el ensamble de abrazaderas (Fig. 2).
8. Mientras sostiene la unidad en posición de operación (Fig. 3), coloque la manija en J en la posición que le brinde el mejor agarre.
9. Ajuste los tornillos de la abrazadera en forma pareja hasta que la manija en J esté firme.

**NOTA:** Una vez que se haya instalado la nueva manija en J, **no es necesario** cambiar de nuevo a la manija original cuando haya terminado con el accesorio. Mantenga instalada esta nueva manija al usar su unidad original como recortador.

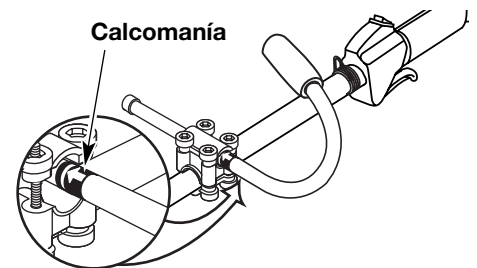


Fig. 2



Fig. 3



# INSTRUCCIONES DE ENSAMBLE

## INSTALE EL LAZO DEL ARNÉS PARA EL HOMBRO

Al operar el accesorio cortamalezas, debe usar el arnés para el hombro que se proporciona con la unidad.

Verifique que su recortador tenga un adaptador de apoyo en forma de alambre al cual pueda abrochar la correa. Si su unidad tiene el adaptador que se muestra en la Fig. 4, no necesita instalar el lazo de arnés que se proporciona. En ese caso, pase a la sección siguiente *Instale el arnés*.

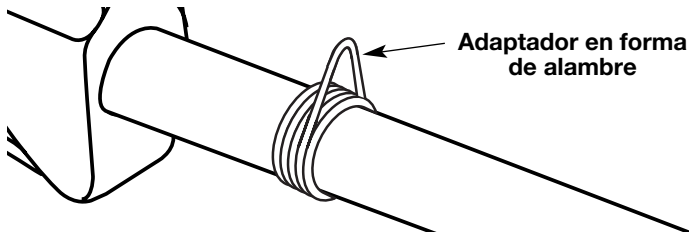


Fig. 4

Si su recortador no tiene un adaptador en forma de alambre, debe instalar el sujetador que se incluye con el TBBC.

Para instalar el sujetador del arnés para el hombro que se suministra:

1. Retire el perno, la tuerca y la arandela que se instalaron en el lazo del arnés para el envío. Manténgalos a mano.
2. Hale la abrazadera para abrirla y empújela hacia el brazo.
3. Arregle el sujetador de modo que esté cercano al mango del eje y lejos de la manija en J (Fig. 5).
4. Inserte el perno a través del sujetador y asegúrelo con la arandela y la tuerca, usando un par de tenazas y una llave ajustable pequeña.

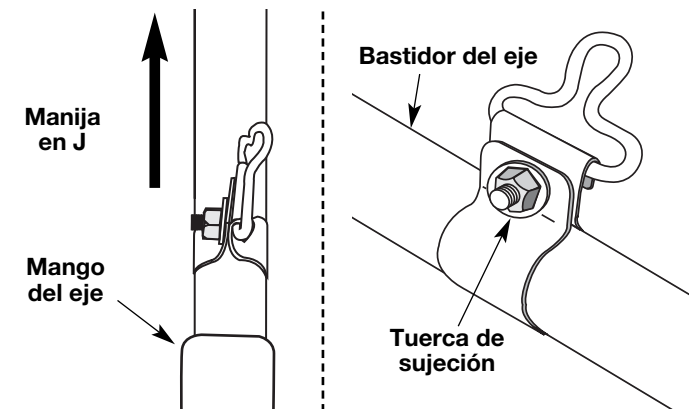


Fig. 5

## INSTALACIÓN DEL ARNÉS



**ADVERTENCIA:** Use siempre el arnés para el hombro cuando use la cuchilla de corte a fin de evitar graves lesiones personales.

1. Pase la correa a través del centro de la hebilla.
2. Pase la correa sobre la barra transversal y hacia abajo a través de la ranura de la hebilla (Fig. 6).
3. Coloque el arnés por encima de su cabeza y sobre su hombro. Abroche en el adaptador de apoyo (Fig. 7).
4. Ajuste la longitud de acuerdo a la medida del operador. Tire de la orejeta para alargarlo y tire de la correa para acortarlo (Fig. 8).

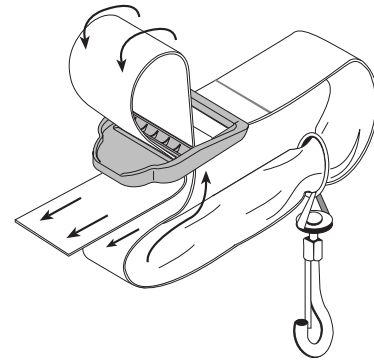


Fig. 6

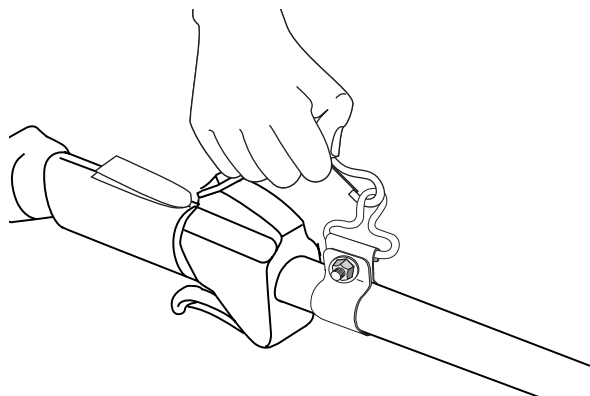


Fig. 7

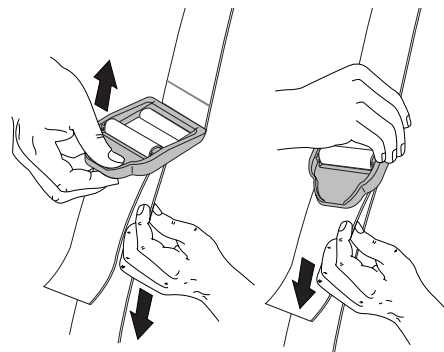


Fig. 8

# INSTRUCCIONES DE OPERACIÓN



**ADVERTENCIA:** Nunca use este accesorio con una unidad accionada por energía eléctrica. Conecte el TBBC únicamente a recortadores o cortamalezas accionados por motor de gasolina. El uso con un producto eléctrico pudiera resultar en daño a la unidad o lesión personal grave.

## OPERACION DEL SISTEMA EZ-Link™

El sistema EZ-Link™ le permite el uso de estos accesorios optativos.

Cultivador .....	TBGC
Edger .....	TBLE
Recortador de setos .....	TBAH
Recortador de eje recto .....	TBSS
Turbosoplador .....	TBTB
Sierra de poste .....	TBPS



**AVERTISSEMENT:** Antes de comenzar a usar este accesorio, lea y comprenda el manual que viene con el accesorio. Siga toda la información de seguridad contenida en el mismo.



**ADVERTENCIA:** Para evitar graves lesiones personales, apague la unidad antes de sacar o instalar accesorios.

### Remoción del accesorio de corte u otros accesorios

1. Gire la perilla en sentido antihorario para aflojarla (Fig. 9).
2. Opima y sostenga el botón de desconexión (Fig. 9).
3. Mientras sostiene el bastidor del eje superior con firmeza, tire del accesorio de corte o accesorio en línea recta fuera del acoplador EZ-Link™.

### Instalación del accesorio de corte u otros accesorios

**NOTA:** Para facilitar la instalación o remoción de los accesorios, coloque la unidad sobre el suelo o sobre un banco de trabajo.

1. Gire la perilla en sentido antihorario para aflojarla (Fig. 9).

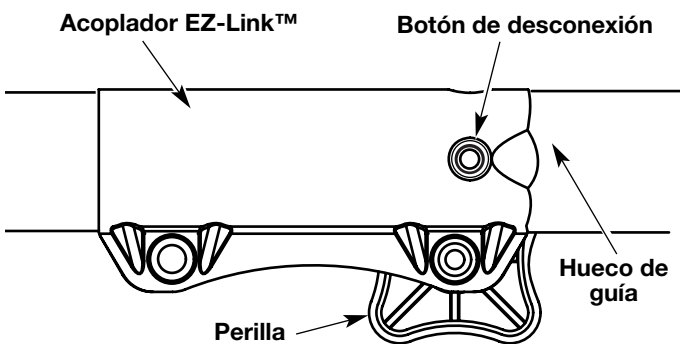


Fig. 9

2. Mientras sostiene el accesorio con firmeza, empújelo en línea recta en el acoplador EZ-Link™ (Fig. 10).

**NOTA:** La alineación del botón de desconexión con el hueco de guía facilitará la instalación (Fig. 9).

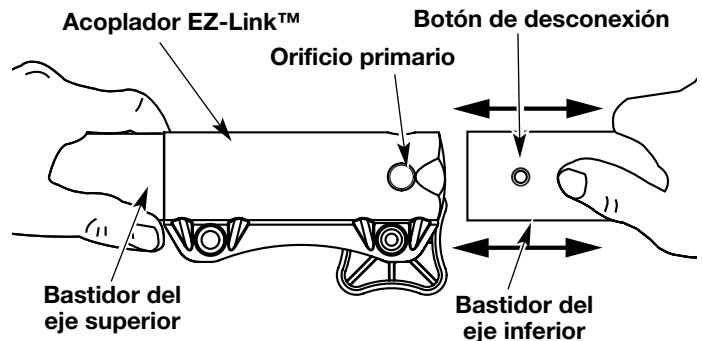


Fig. 10

3. Gire la perilla en sentido horario para ajustarla (Fig. 11).



**PRECAUCION:** Trabe el botón de desconexión en el orificio primario y ajuste bien la perilla antes de operar esta unidad.

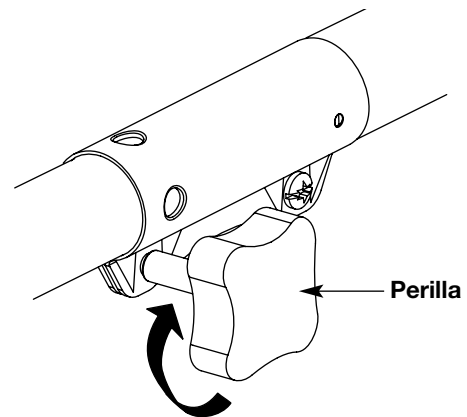


Fig. 11



**PRECAUCION:** Los accesorios con el sistema EZ-Link™ deben ser usados en el orificio primario a menos que se indique lo contrario en el manual del operador del accesorio. El usar el orificio incorrecto puede conducir a lesiones personales o daño de la unidad.



# INSTRUCCIONES DE OPERACION

- Avance al área siguiente a cortar después de la maniobra de retorno, y vuelva a fijar los pies.
- La cuchilla de corte está diseñada con un segundo borde de corte, el cual puede ser utilizado retirando la cuchilla, dándola vuelta y volviendo a instalarla.



**ADVERTENCIA:** No afile la cuchilla de corte. Si afila la cuchilla, la punta puede desprenderse durante su uso. Esto puede causar graves lesiones personales a usted mismo o a los demás. Cambie la cuchilla.

Para reducir la posibilidad de que se enrede material en la cuchilla, siga estos pasos:

- Corte a plena regulación.
- Mueva la unidad de su izquierda a derecha hacia el material que va a cortar (Fig. 13).
- En el movimiento de retorno, evite tocar el material que acaba de cortar.



**ADVERTENCIA:** No limpie el material con el motor en marcha ni con la cuchilla girando. Para evitar graves lesiones personales, apague el motor. Espere que la cuchilla se detenga antes de sacar el material envuelto alrededor del eje de la cuchilla.

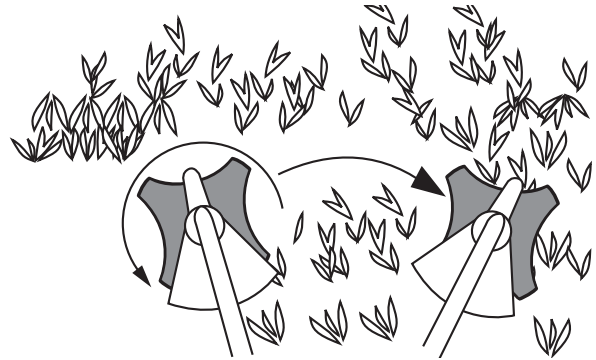


Fig. 13

# INSTRUCCIONES DE ENSAMBLE

## REEMPLAZO DE LA CUCHILLA DE CORTE

Cuando la cuchilla de corte se desafilé, es necesario reemplazarla. Nunca afile una cuchilla desafilada. Siga las instrucciones que aparecen en esta sección para reemplazar con éxito la cuchilla.



**ADVERTENCIA:** Para evitar graves lesiones personales, use siempre guantes cuando maneje o instale la cuchilla.

### Remoción de la cuchilla de corte

**NOTA:** Para facilitar la remoción o la instalación de la cuchilla de corte, coloque la unidad sobre el suelo o sobre un banco de trabajo.

1. Alinee el orificio del buje del eje con la ranura de la varilla de cierre e inserte la varilla de cierre en el orificio del buje (Fig. 14).



**ADVERTENCIA:** El bastidor del engranaje se calienta mucho con el uso y puede causar lesiones al operador. Cuando la unidad se apaga, permanece caliente durante un rato. No toque el bastidor del engranaje hasta que se haya enfriado.

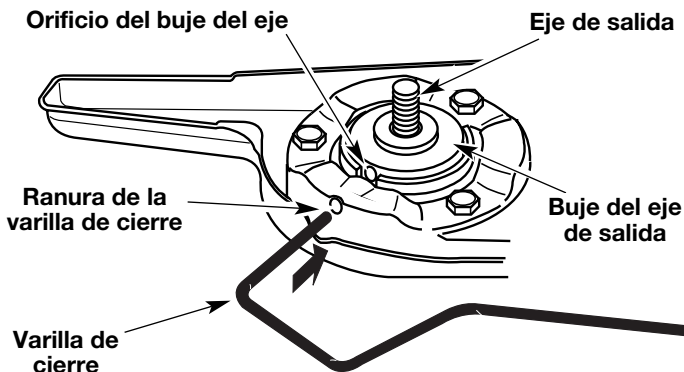


Fig. 14

2. Sostenga la varilla de cierre en su lugar junto al brazo de la unidad (Fig. 15).
3. Mientras sostiene la varilla de cierre, afloje la tuerca de la cuchilla girándola en sentido horario con una llave de casquillo o de boca cerrada de 13 mm (Fig. 15).



Fig. 15

4. Saque la tuerca, el retén de la cuchilla y la cuchilla. Guarde la tuerca y la cuchilla juntas en un lugar seguro para su uso futuro. Guarde fuera del alcance de los niños.

### Instalación de la cuchilla de corte



**ADVERTENCIA:** Para evitar graves lesiones personales, use siempre guantes cuando maneje o instale la cuchilla.

1. Coloque la cuchilla de corte en el buje del eje de salida (Fig. 16).

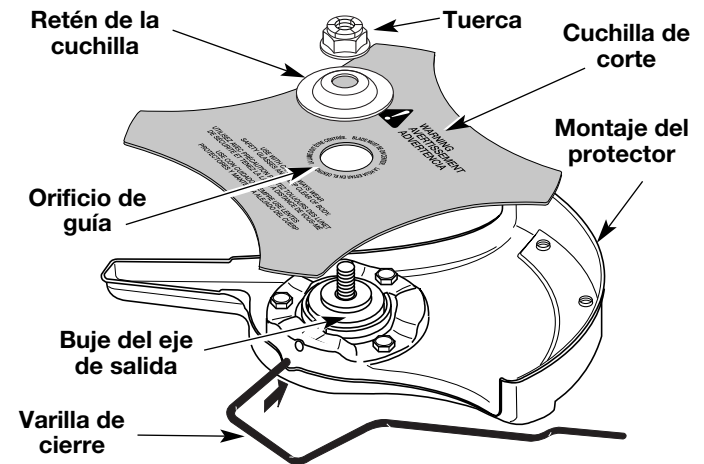


Fig. 16

2. Verifique que la cuchilla de corte esté centrada en el estribo de guía y quede plana contra el buje del eje de salida (Fig. 17).



**ADVERTENCIA:** Si la cuchilla de corte no está centrada, la unidad vibrará y la cuchilla puede desprenderse y salir volando, lo cual puede causar graves lesiones personales.

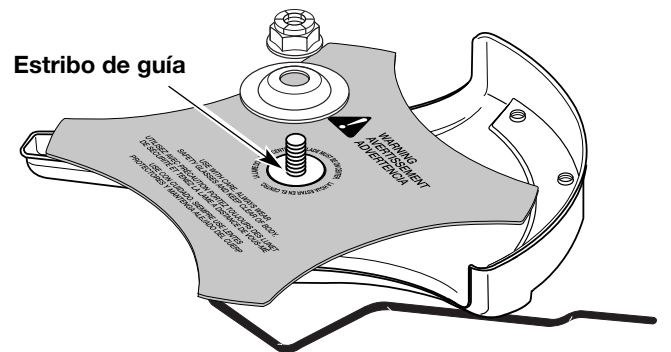


Fig. 17

## INSTRUCCIONES DE ENSAMBLE

- Alinee el orificio del buje del eje con la ranura de la varilla de cierre e inserte la varilla de cierre en el orificio del buje (Fig. 14).
- Coloque el retén de la cuchilla y la tuerca en el eje de salida. Verifique que la cuchilla esté bien instalada.
- Ajuste la tuerca en sentido antihorario contra la cuchilla mientras sostiene la varilla de cierre;
  - Si usa una llave de torsión y un casquillo de 13 mm, ajuste a:  
**325- 335 pulg•libra, 27- 28 pies•libra, 37 -38 N•m.**
  - Si no tiene una llave de torsión, use una llave de boca cerrada de 13 mm o de casquillo, gire la tuerca hasta que el retén de la cuchilla esté ajustado contra el buje del eje. Verifique que la cuchilla esté bien instalada, luego gire la tuerca 1/4 a 1/2 vuelta más en sentido antihorario (Fig. 18).

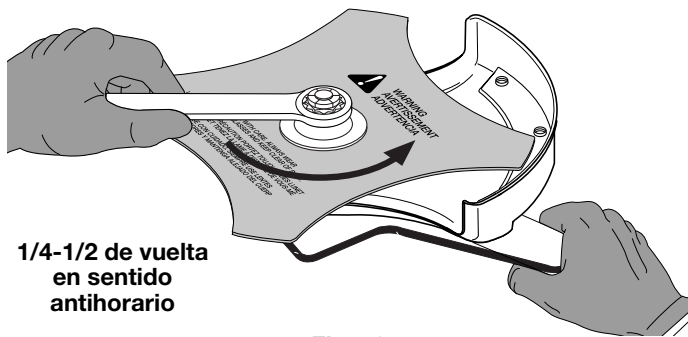


Fig. 18

- Saque la varilla de cierre de la ranura de la varilla de cierre.

**ADVERTENCIA:** Para evitar lesiones personales o el daño de la unidad, no arranque ni use esta unidad con la varilla de cierre en la ranura de la varilla de cierre.

**ADVERTENCIA:** No afile la cuchilla de corte. Afilar la cuchilla puede causar que la punta se desprenda durante el uso. Esto puede causar graves lesiones personales. Cambie la cuchilla.

### LIMPIEZA

**ADVERTENCIA:** Para evitar lesiones personales, apague siempre su recortador y espere que se enfríe antes de limpiarlo o realizar cualquier tipo de mantenimiento.

Use un cepillo pequeño para limpiar la parte exterior de la unidad. No use detergentes fuertes. Los limpiadores domésticos que contienen aceites aromáticos como pino y limón, y con solventes como el queroseno pueden dañar el bastidor de plástico y la manija. Seque toda la humedad con un paño suave.

### ALMACENAMIENTO

- Guarde la unidad bajo llave para prevenir el uso por personas no autorizadas y su daño.
- Guarde la unidad en un área seca y bien ventilada.
- Guarde la unidad fuera del alcance de los niños.

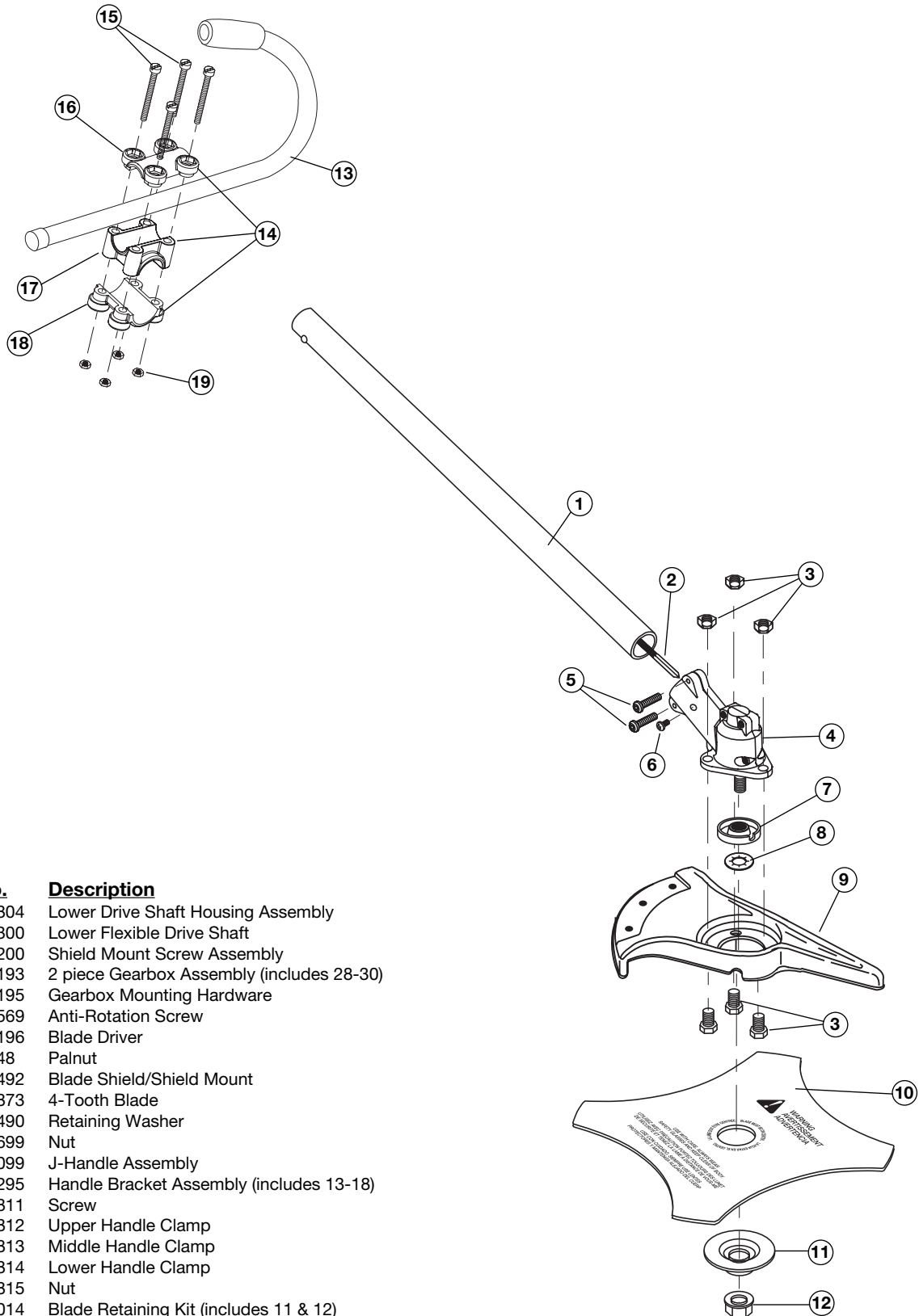
## ESPECIFICACIONES

Peso de la unidad ..... 1,7 kg (3,75 libras)  
Diámetro de la trayectoria de corte, cuchilla de corte ..... 204 mm (8 pulgadas)  
Arnés para el hombro ..... Broche individual a presión

\*Toda las especificaciones contenidas en este manual se basan en la información más reciente disponible en el momento de impresión del manual. Nos reservamos el derecho de hacer cambios en cualquier momento sin aviso previo.

# PARTS LIST

## ATTACHMENT PARTS - TBBC



Item	Part No.	Description
1	791-180804	Lower Drive Shaft Housing Assembly
2	791-613300	Lower Flexible Drive Shaft
3	791-182200	Shield Mount Screw Assembly
4	791-182193	2 piece Gearbox Assembly (includes 28-30)
5	791-182195	Gearbox Mounting Hardware
6	791-145569	Anti-Rotation Screw
7	791-182196	Blade Driver
8	753-04348	Palnut
9	791-147492	Blade Shield/Shield Mount
10	791-145873	4-Tooth Blade
11	791-147490	Retaining Washer
12	791-181699	Nut
13	791-181099	J-Handle Assembly
14	791-683295	Handle Bracket Assembly (includes 13-18)
15	791-181811	Screw
16	791-181812	Upper Handle Clamp
17	791-181813	Middle Handle Clamp
18	791-181814	Lower Handle Clamp
19	791-181815	Nut
*	791-180014	Blade Retaining Kit (includes 11 & 12)
*	791-613226	Locking Rod Tool
*	791-682075	Shoulder Harness



# GARANTÍA LIMITADA DEL FABRICANTE PARA:



La garantía limitada establecida a continuación es dada por Troy-Bilt LLC ("Troy-Bilt") con respecto a mercancía nueva que sea comprada y usada en los Estados Unidos, sus posesiones y territorios.

Troy-Bilt garantiza este producto contra defectos en el material y la mano de obra durante un período de dos (2) años, a partir de la fecha de compra original y a su entera opción, arreglará o substituirá, sin costo alguno, cualquier pieza cuyo material o mano de obra se considere defectuoso. Esta garantía limitada se deberá aplicar únicamente si este producto ha sido manejado y mantenido de acuerdo al Manual del Operador incluido con el producto y, si no ha sido sometido a mal uso, abuso, uso comercial, accidente, mantenimiento inapropiado, alteración, vandalismo, hurto, fuego, agua o daños debidos a otros riesgos o desastre natural. Los daños ocasionados por la instalación o el uso de cualquier accesorio o aditamento que no esté aprobado por Troy-Bilt para que sea usado con el (los) producto(s) contemplados en este manual, anularán la garantía con respecto a cualquier daño resultante. Esta garantía está limitada a noventa (90) días a partir de la fecha de compra original de cualquier producto Troy-Bilt que se use para alquiler o para propósitos comerciales, o cualquier otro propósito que genere ingreso.

**CÓMO OBTENER SERVICIO:** El servicio de garantía se encuentra disponible A TRAVÉS DE SU DISTRIBUIDOR LOCAL AUTORIZADO, AL PRESENTAR UN COMPROBANTE DE COMPRA. Para ubicar al distribuidor de su área, por favor consulte las Páginas Amarillas o contacte al Departamento de Servicio al Consumidor de Troy-Bilt llame al **1-800-520-5520** o, escriba a P.O. Box 361131, Cleveland OH 44136-0019. Si está en Canadá, llame al **1-800-668-1238**. No se aceptará ningún producto que sea enviado directamente a la fábrica, a menos que haya recibido autorización previa por escrito por parte del Departamento de Servicio al Consumidor de Troy-Bilt.

**Esta garantía limitada no ofrece cobertura en los siguientes casos:**

- A. Sincronizaciones — Bujías, ajustes de carburadores, filtros.
- B. Artículos de desgaste — Botón de tope, carretes externos, línea de corte, carretes internos, polea de arranque, cuerdas de arranque, correas motoras.
- C. Troy-Bilt no le ofrece ninguna garantía a productos que sean vendidos o exportados fuera de los Estados Unidos de Norteamérica, sus posesiones y territorios, excepto aquellos que se vendan a través de los canales de distribución para exportación autorizados por Troy-Bilt.

Troy-Bilt se reserva el derecho a cambiar o mejorar el diseño de cualquier producto Troy-Bilt, sin asumir ninguna obligación para modificar ningún producto fabricado con anterioridad.

**Ninguna garantía implícita es aplicable, incluyendo cualquier garantía implícita de comerciabilidad o idoneidad para un propósito particular, después del período de la garantía expresa escrita con anterioridad, con respecto a las piezas identificadas. Ninguna otra garantía expresa dada por cualquier persona o entidad, incluyendo a los distribuidores o minoristas, bien sea escrita u oral, deberá comprometer a Troy-Bilt con respecto a cualquier producto. Durante el período de la Garantía, la solución exclusiva es arreglar o cambiar el producto de la manera establecida anteriormente.** (Algunos estados no permiten limitaciones en cuanto al período de duración de una garantía implícita, de manera que puede que la limitación anterior no sea aplicable para usted.)

**Las estipulaciones establecidas en esta Garantía ofrecen la solución única y exclusiva que resulte de las ventas. Troy-Bilt no deberá ser responsable de pérdidas o daños incidentales o consecuentes que incluyen, sin limitación, erogación de gastos debido a la sustitución de servicios de mantenimiento de prados, transporte o gastos relacionados, o gastos de alquiler para reemplazar temporalmente un producto bajo garantía.** (Algunos estados no permiten limitaciones en cuanto al período de duración de una garantía implícita, de manera que puede que la limitación anterior no sea aplicable para usted.)

La recuperación de cualquier tipo no deberá ser superior al precio de compra del producto vendido en ningún caso. La alteración de las características de seguridad del producto deberá anular la garantía. Usted asume el riesgo y la obligación de la pérdida, daño o lesión en su persona o a su propiedad y / o la de otras personas y sus propiedades, que se origine a raíz del uso o mal uso, o la falta de capacidad para usar el producto.

Esta garantía limitada no deberá cubrir a ninguna otra persona distinta al comprador original, arrendatario original, o la persona para la que se compró en calidad de regalo.

**Relación de las leyes estatales con esta Garantía:** Esta garantía le confiere derechos legales específicos, y puede que usted también tenga otros derechos, los cuales varían en cada estado.

Para ubicar a su distribuidor de servicio más cercano, llame al **1-800-345-8746** en los Estados Unidos a al **1-800-668-1238** en Canadá.

## Troy-Bilt LLC

P.O. Box 361131  
Cleveland, OH 44136-0019