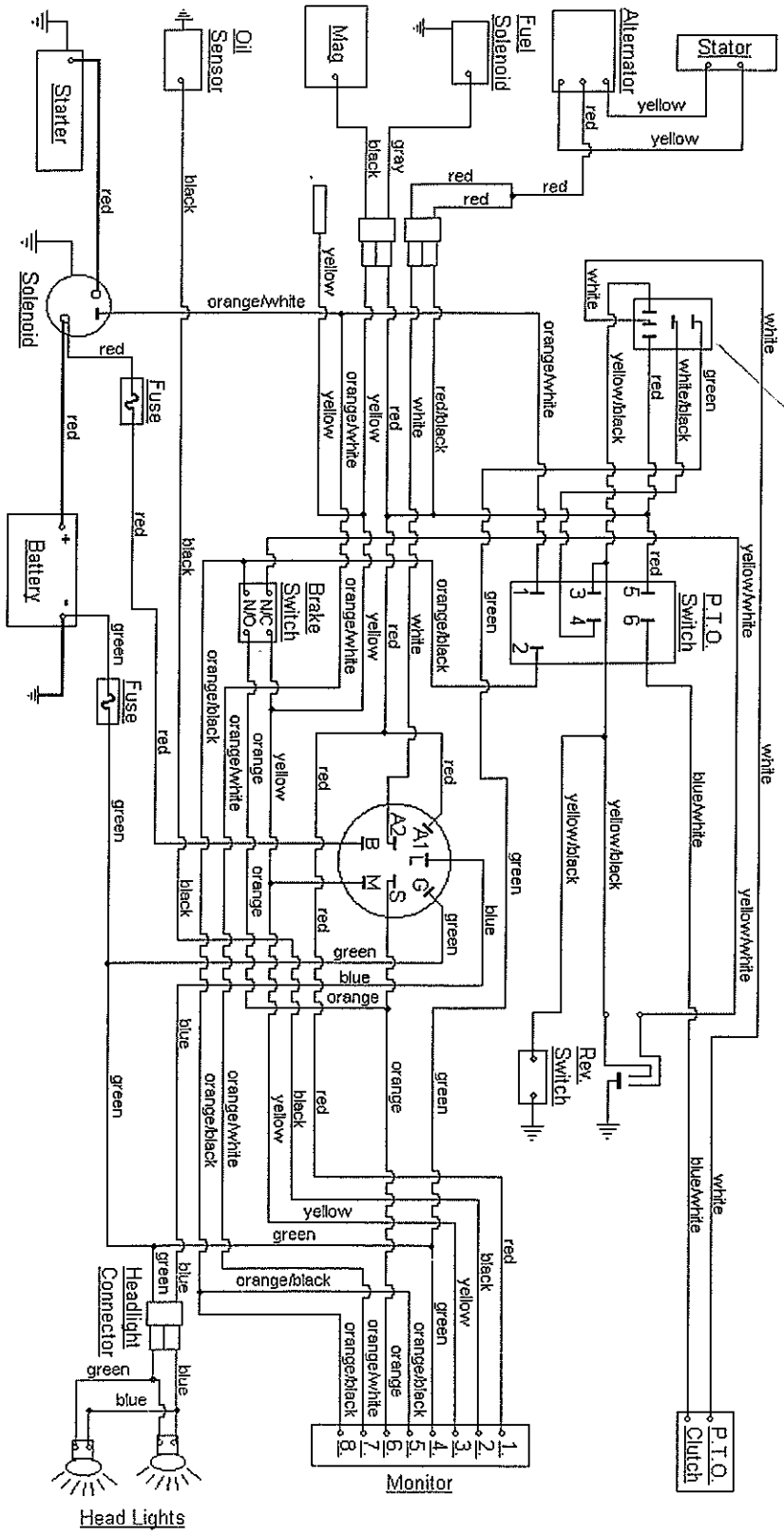


HARNES NUMBER (629-1067)
 MONITOR NUMBER (725-1976)

725-1978



KEY SWITCH

OFF	M+G+A1
RUN W/LIGHTS	B+A1 / L+A2
RUN	B+A1
START	B+S+A1

DASH MONITOR

1:	HOUR METER	5:	BRAKE +
2:	LOW OIL	6:	BRAKE -
3:		7:	P.T.O. -
4:	GROUND	8:	P.T.O. +