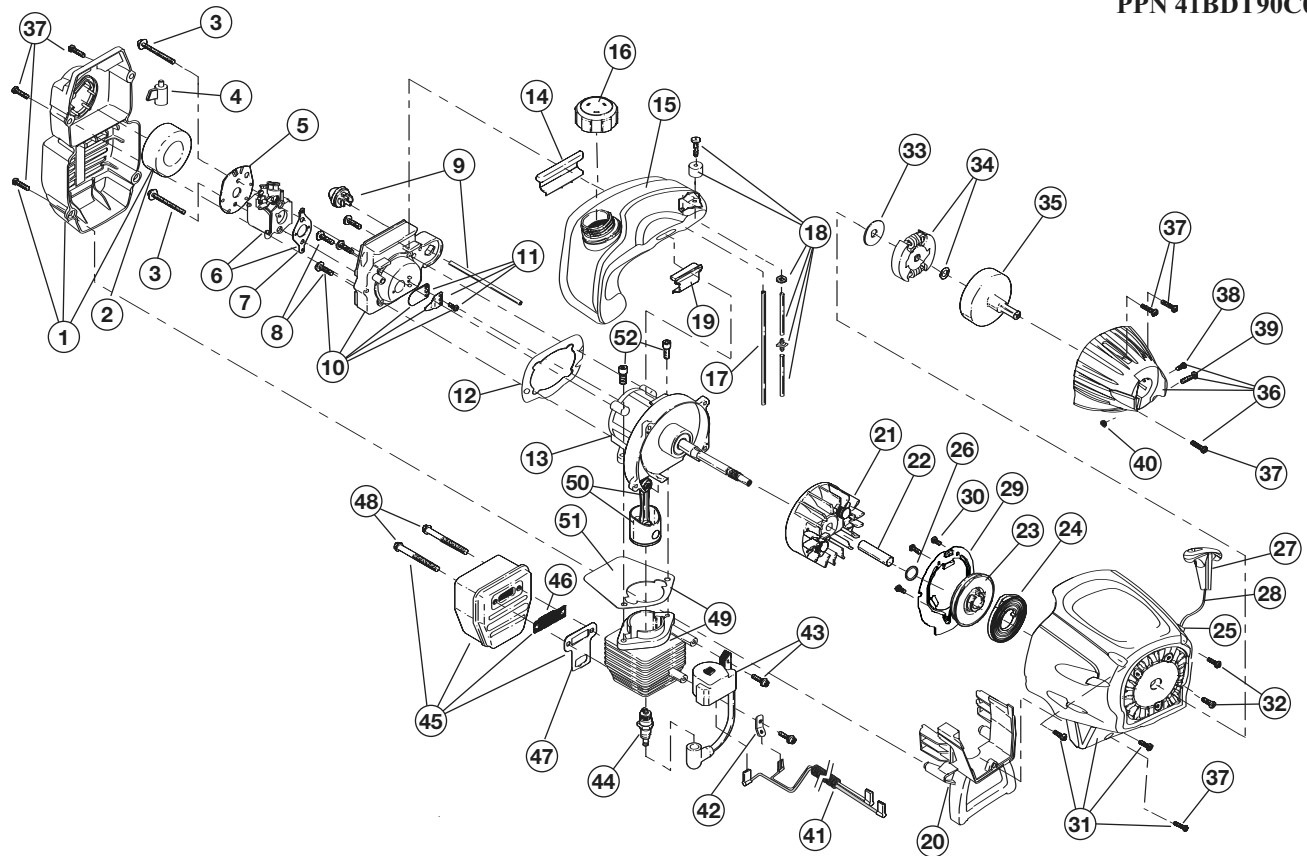


ENGINE PARTS - MODEL TB90BC 2-CYCLE GAS TRIMMER/BUSHCUTTER

PPN 41BDT90C063

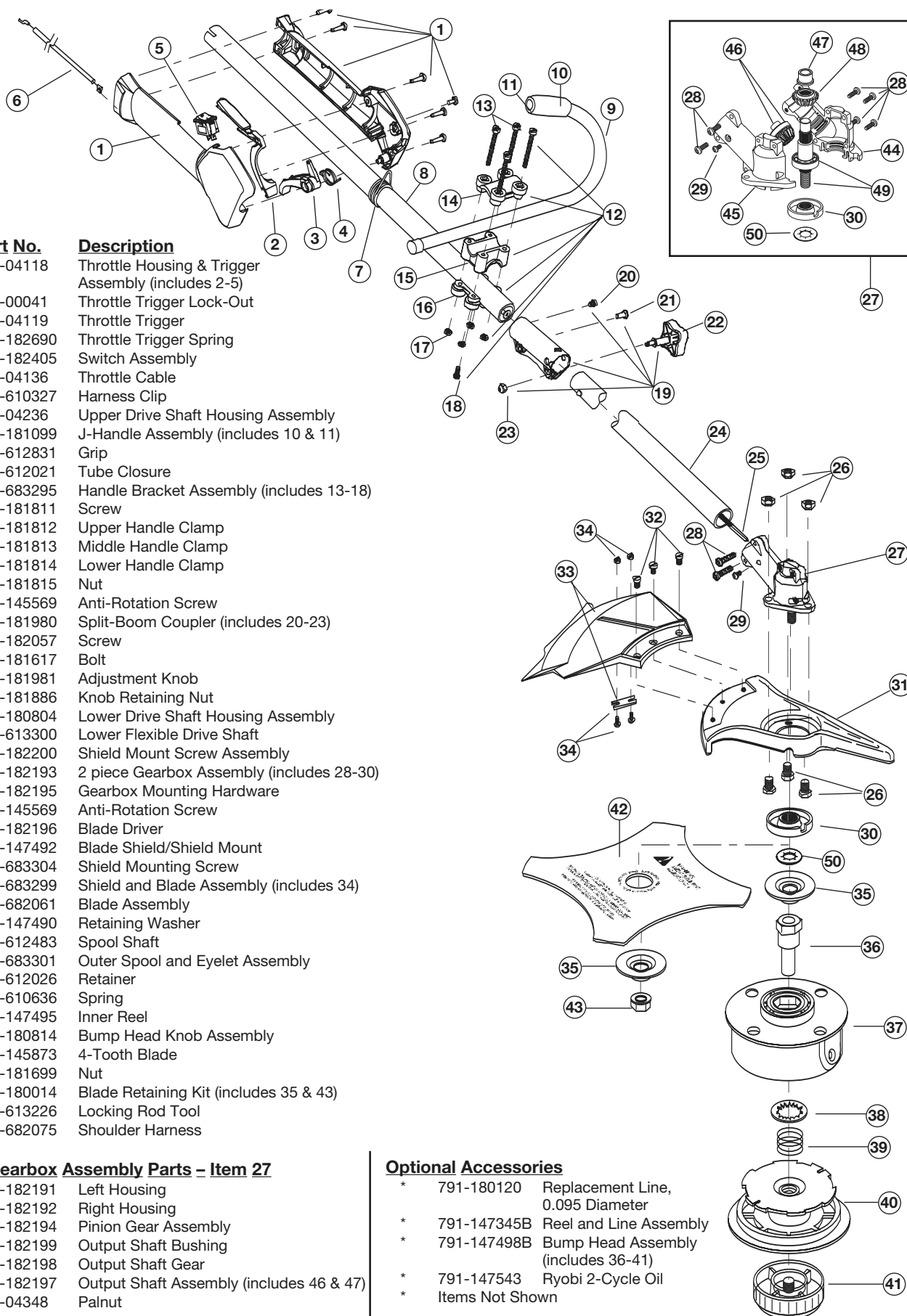


| <u>Item</u> | <u>Part No.</u> | <u>Description</u> | <u>Item</u> | <u>Part No.</u> | <u>Description</u> |
|-------------|-----------------|------------------------------------------------------|-------------|-----------------|------------------------------------------------------|
| 1 | 753-1192 | Air Cleaner/Muffler Cover Assembly (includes 2 & 37) | 31 | 753-1203 | Starter Housing Assembly (includes 23-30, 32 & 37) |
| 2 | 791-180350B | Air Cleaner Filter | 32 | 791-181862 | Housing Screw |
| 3 | 791-180351 | Carburetor Mounting Screw Assembly | 33 | 791-182368 | Clutch Washer |
| 4 | 753-1193 | Choke Extension | 34 | 791-182369 | Clutch Rotor Assembly |
| 5 | 753-1194 | Choke Plate | 35 | 791-153592 | Clutch Drum Assembly |
| 6 | 753-04338 | Carburetor Assembly (includes 7 & 18) | 36 | 753-1204 | Clutch Cover Assembly (includes 37-40) |
| 7 | 791-610675 | Carburetor Gasket | 37 | 791-181345 | Cover Screw |
| 8 | 791-181860 | Carb Mount Screw | 38 | 791-182519 | Anti-Rotation Screw |
| 9 | 791-683974B | Primer and Hose Assembly | 39 | 753-04003 | Clamping Screw |
| 10 | 753-1196 | Carb Mount Assembly (includes 8 & 11) | 40 | 791-180217 | Clamping Nut |
| 11 | 791-684451 | Reed Assembly | 41 | 791-182798 | Wire Leads and Sleeve |
| 12 | 753-1208 | Carburetor Mount Gasket | 42 | 791-611063 | Ground Tab |
| 13 | 753-04369 | Crank Case Service Assembly (includes 8) | 43 | 753-04337 | Module Assembly |
| 14 | 791-612134 | Rear Mounting Pad | 44 | 791-610311B | Spark Plug |
| 15 | 753-04307 | Fuel Tank Assembly (includes 16-18) | 45 | 791-182066 | Muffler Assembly (includes 46-48) |
| 16 | 791-182612 | Fuel Cap Assembly | 46 | 791-182747 | Spark Arrestor Screen |
| 17 | 791-181168 | Fuel Return Line | 47 | 753-04159 | Exhaust Gasket |
| 18 | 753-04233 | Fuel Line Assembly | 48 | 791-147575 | Muffler Mounting Bolt Assembly |
| 19 | 791-145308 | Front Mounting Pad | 49 | 753-04323 | Cylinder Assembly (includes 51 & 52) |
| 20 | 791-182064 | Shroud Extension & Stand (includes 37) | 50 | 753-1207 | Piston and Rod Assembly |
| 21 | 791-182736 | Flywheel Assembly | 51 | 753-1197 | Cylinder Gasket |
| 22 | 791-181065 | Spacer | 52 | 791-182723 | Cylinder Bolt |
| 23 | 753-1199 | Recoil Pulley | * | 791-180090 | O.E.M. Carburetor Repair Kit |
| 24 | 753-04286 | Recoil Spring | * | 791-180091 | Gasket Diaphragm Repair Kit |
| 25 | 753-1200 | Rope Guide | * | 753-1209 | Piston Ring Set |
| 26 | 791-181247 | Pulley Retainer | * | 753-04334 | Short Block Assembly (includes 8, 12, 13, 44, 47-52) |
| 27 | 791-181079 | Pull Handle | * | 791-181599 | Clutch Springs (Qty. 2) |
| 28 | 791-613103 | Rope | * | | Items Not Shown |
| 29 | 753-1201 | Pressure Plate Assembly (includes 30) | | | |
| 30 | 753-1202 | Plate Screw | | | |

BOOM AND TRIMMER PARTS - MODEL TB90BC

2-CYCLE GAS TRIMMER/BUSHCUTTER

PPN 41BDT90C063



| Item | Part No. | Description |
|------|------------|----------------------------------------------------|
| 1 | 753-04118 | Throttle Housing & Trigger Assembly (includes 2-5) |
| 2 | 791-00041 | Throttle Trigger Lock-Out |
| 3 | 753-04119 | Throttle Trigger |
| 4 | 791-182690 | Throttle Trigger Spring |
| 5 | 791-182405 | Switch Assembly |
| 6 | 753-04136 | Throttle Cable |
| 7 | 791-610327 | Harness Clip |
| 8 | 753-04236 | Upper Drive Shaft Housing Assembly |
| 9 | 791-181099 | J-Handle Assembly (includes 10 & 11) |
| 10 | 791-612831 | Grip |
| 11 | 791-612021 | Tube Closure |
| 12 | 791-683295 | Handle Bracket Assembly (includes 13-18) |
| 13 | 791-181811 | Screw |
| 14 | 791-181812 | Upper Handle Clamp |
| 15 | 791-181813 | Middle Handle Clamp |
| 16 | 791-181814 | Lower Handle Clamp |
| 17 | 791-181815 | Nut |
| 18 | 791-145569 | Anti-Rotation Screw |
| 19 | 791-181980 | Split-Boom Coupler (includes 20-23) |
| 20 | 791-182057 | Screw |
| 21 | 791-181617 | Bolt |
| 22 | 791-181981 | Adjustment Knob |
| 23 | 791-181886 | Knob Retaining Nut |
| 24 | 791-180804 | Lower Drive Shaft Housing Assembly |
| 25 | 791-613300 | Lower Flexible Drive Shaft |
| 26 | 791-182200 | Shield Mount Screw Assembly |
| 27 | 791-182193 | 2 piece Gearbox Assembly (includes 28-30) |
| 28 | 791-182195 | Gearbox Mounting Hardware |
| 29 | 791-145569 | Anti-Rotation Screw |
| 30 | 791-182196 | Blade Driver |
| 31 | 791-147492 | Blade Shield/Shield Mount |
| 32 | 791-683304 | Shield Mounting Screw |
| 33 | 791-683299 | Shield and Blade Assembly (includes 34) |
| 34 | 791-682061 | Blade Assembly |
| 35 | 791-147490 | Retaining Washer |
| 36 | 791-612483 | Spool Shaft |
| 37 | 791-683301 | Outer Spool and Eyelet Assembly |
| 38 | 791-612026 | Retainer |
| 39 | 791-610636 | Spring |
| 40 | 791-147495 | Inner Reel |
| 41 | 791-180814 | Bump Head Knob Assembly |
| 42 | 791-145873 | 4-Tooth Blade |
| 43 | 791-181699 | Nut |
| * | 791-180014 | Blade Retaining Kit (includes 35 & 43) |
| * | 791-613226 | Locking Rod Tool |
| * | 791-682075 | Shoulder Harness |

2 Piece Gearbox Assembly Parts - Item 27

| | | |
|----|------------|------------------------------------------|
| 44 | 791-182191 | Left Housing |
| 45 | 791-182192 | Right Housing |
| 46 | 791-182194 | Pinion Gear Assembly |
| 47 | 791-182199 | Output Shaft Bushing |
| 48 | 791-182198 | Output Shaft Gear |
| 49 | 791-182197 | Output Shaft Assembly (includes 46 & 47) |
| 50 | 753-04348 | Palnut |

Optional Accessories

| | | |
|---|-------------|-------------------------------------|
| * | 791-180120 | Replacement Line, 0.095 Diameter |
| * | 791-147345B | Reel and Line Assembly |
| * | 791-147498B | Bump Head Assembly (includes 36-41) |
| * | 791-147543 | Ryobi 2-Cycle Oil |
| * | | Items Not Shown |