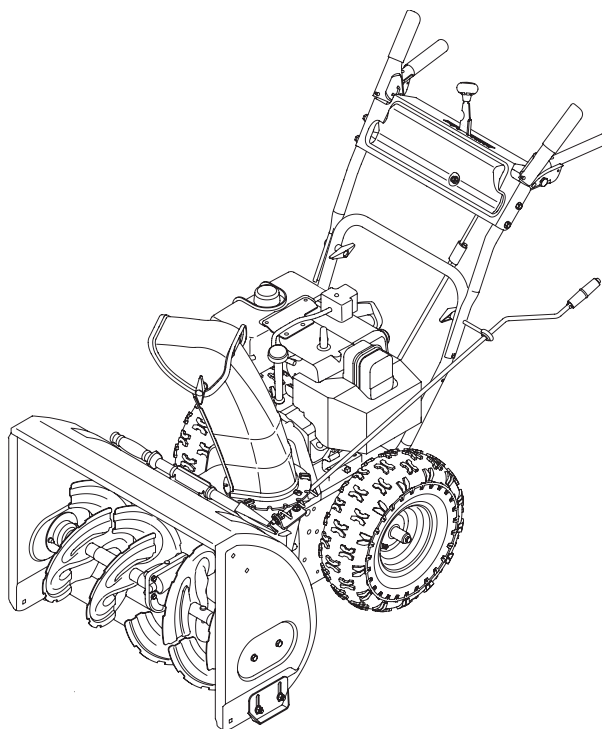
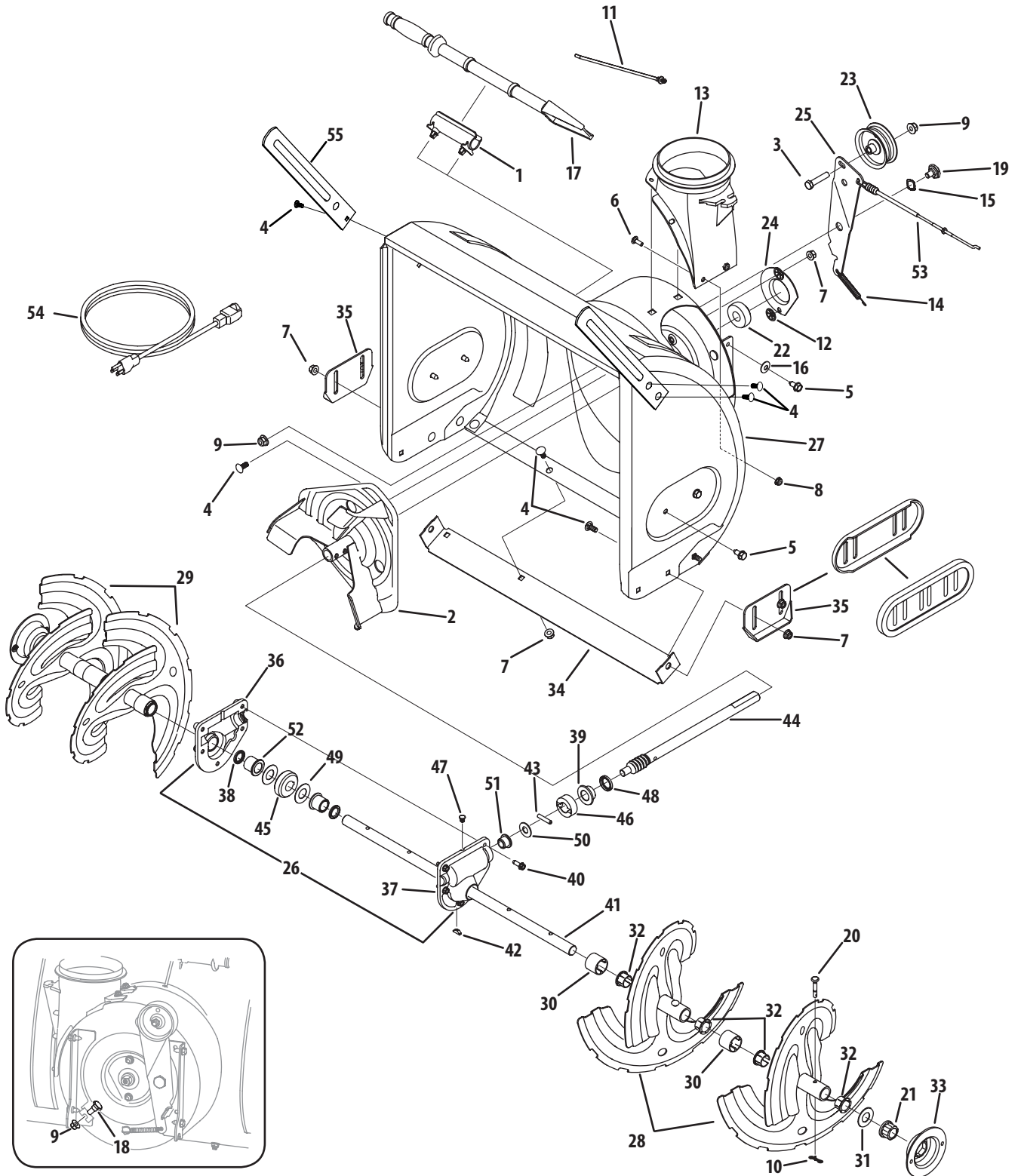

ILLUSTRATED PARTS MANUAL



600 Series Snow Thrower — Two Stage

MTD LLC, P.O. BOX 361131 CLEVELAND, OHIO 44136-0019

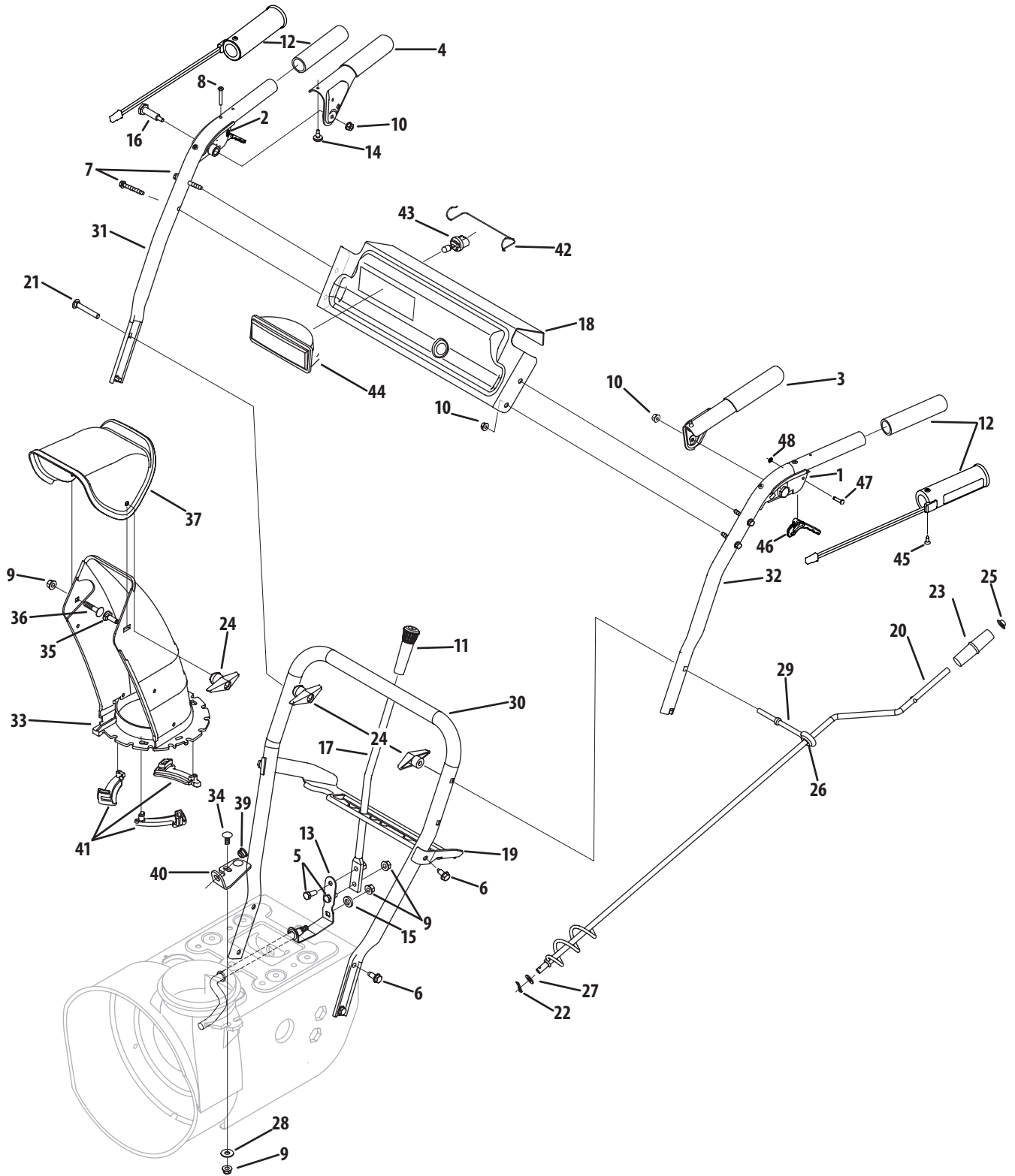
Auger & Auger Housing



Auger & Auger Housing

Ref.	Part Number	Description	Ref.	Part Number	Description
1.	731-2635	Snow Removal Tool Mount	28.	684-04107	Spiral Assembly, LH
2.	684-04057A	Impeller Assembly, 12"	29.	684-04108	Spiral Assembly, RH
3.	710-0347	Hex Screw, 3/8-16, 1.75,	30.	731-04870	Spacer, 1.25 OD x .75 ID x 1.00
4.	710-0451	Carriage Bolt, 5/16-18, .750	31.	736-0188	Flat Washer, .76 x 1.49 x .06
5.	710-04484	Screw, 5/16-18, 0.750	32.	741-0493A	Flange Bushing, .80 ID x .91 OD
6.	710-0703	Carriage Screw, 1/4-20, .750,	33.	790-00087A	Hex Bearing Housing, 1"
7.	712-04063	Flange Lock Nut, 5/16-18, Nylon	34.	790-00117	Shave Plate, 22"
8.	712-04064	Flange Lock Nut, 1/4-20, Nylon	—	790-00120	Shave Plate, 24"
9.	712-04065	Flange Lock Nut, 3/8-16, Nylon	—	790-00121	Shave Plate, 26"
10.	714-04040	Bow-tie Cotter Pin	—	790-00118	Shave Plate, 28"
11.	725-0157	Cable Tie, 3/16 x .05 x 7.4	—	790-00119	Shave Plate, 30"
12.	726-04012	Push-on Nut, .25	35.	784-5580	Skid Shoe, Standard
13.	731-04705	Chute Adapter, 5"	—	790-00091	Skid Shoe, Deluxe
14.	732-04460	Extension Spring, .38 OD x 4.59	—	731-05984	Skid Shoe, Plastic
15.	736-0174	Wave Washer, .625 x .885 x .015	—	790-00141	Skid Shoe, Stainless
16.	736-0242	Bell Washer, .340 x .872 x .060	36.	618-0123A	Auger Housing, RH Reduced
17.	731-2643	Snow Removal Tool	37.	618-0124A	Auger Housing, LH Reduced
18.	738-0143	Shoulder Screw, .498 x .34, 3/8-16	38.	721-0327	Oil Seal, .75 x 1.131 x 1.88
19.	738-0281	Shoulder Screw, .625 x .17, 3/8-16	39.	741-0662	Flange Bearing, .75 x 1.0 x .59
20.	738-04124A	Shear Pin, .25 x 1.50	40.	710-0642	Self-tapping Screw, 1/4-20, 0.750
21.	741-0245	Hex Flange Bearing	41.	711-04286	Auger Axle, 22"
22.	741-0309	Ball Bearing, .75 ID x 1.85 OD	—	711-04285	Auger Axle, 24"
23.	756-0981B	Idler Flat Pulley, 2.75 OD	—	711-04284	Auger Axle, 26"
24.	790-00075	Bearing Housing, 1.85 ID	—	711-04283	Auger Axle, 28"
25.	790-00080	Auger Idler Bracket w/ Brake	—	711-04282	Auger Axle, 30"
26.	618-04170A	Auger Gearbox Assembly, 22"	42.	714-0161	Hi-pro Key, 3/16 x 5/8
—	618-04171A	Auger Gearbox Assembly, 24"	43.	715-04021	Dowel Pin, .25 OD x 1.2
—	618-04172A	Auger Gearbox Assembly, 26"	44.	717-04126	Worm Shaft, .75 OD
—	618-04173A	Auger Gearbox Assembly, 28"	45.	717-04449	Worm Gear, 20T
—	618-04165A	Auger Gearbox Assembly, 30"	46.	718-04071	Thrust Collar
27.	684-04067	Auger Housing Assembly, 22"	47.	721-0325	Plug, 1/4 x .437
—	684-04069	Auger Housing Assembly, 24"	48.	721-0327	Oil Seal, .75 x 1 x .131
—	684-04071	Auger Housing Assembly, 26"	49.	736-0351	Flat Washer, .760 ID x 1.5 OD
—	684-04073	Auger Housing Assembly, 28"	50.	736-3084	Flat Washer, .51 x 1.12
—	684-04267	Auger Housing Assembly, 30"	51.	741-0663	Flange Bearing, .75 x 1.0 x .925
—	684-04270	Auger Housing Assembly, 24" (TB)	52.	741-0662	Flange Bearing, .75 x 1.00 x .59
—	684-04271	Auger Housing Assembly, 26" (TB)	53.	746-04230	Auger Clutch Cable, 47.23"
—	684-04272	Auger Housing Assembly, 28" (TB)	54.	629-0071	Extention Cord, 110V, 3-prong
—	684-04273	Auger Housing Assembly, 30" (TB)	55.	790-00181	Drift Cutters

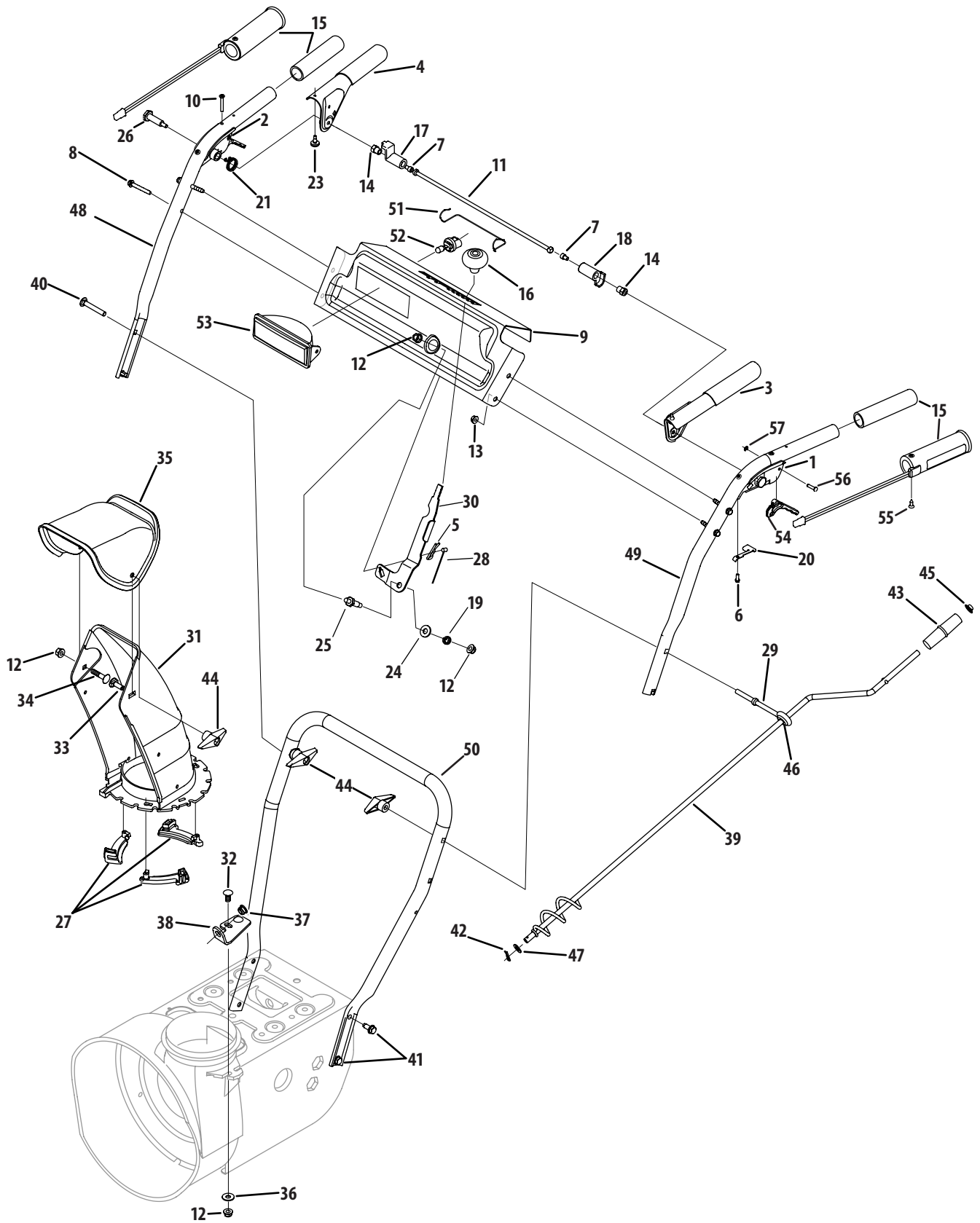
C/D-Style Handle, Frame & Discharge Chute



C/D-Style Handle, Frame & Discharge Chute

Ref.	Part Number	Description	Ref.	Part Number	Description
1.	631-04133A	Handle Assembly, Lock LH	25.	726-0100	Push Cap, 3/8 Rod
2.	631-04134B	Handle Assembly, Lock, RH	26.	735-0234	Grommet, .44 ID x .94 OD x .50
3.	684-04105B	Handle Assembly, Engagement LH	27.	736-0185	Flat Washer, .375 x .738 x .063
4.	684-04106B	Handle Assembly, Engagement, RH	28.	736-0159	Flat Washer, .349 x .879 x .063
5.	710-0376	Self-tappingScrew, 5/16-18 x .625	29.	747-04263	Chute Crank Eye Bolt
6.	710-04484	Self-tappingScrew, 5/16-18 x .750	30.	749-04138A	Lower Handle
7.	710-0606	Self-tapping Screw, 1/4-20 x 1.50	31.	749-04141A	Upper Handle, RH
8.	710-1233	Machine Screw, #10-24 x 1.375	32.	749-04142A	Upper Handle, LH
9.	712-04063	Flange Lock Nut, 5/16-18, Nylon	33.	631-04131B	Lower Chute, 5.0 Diameter
10.	712-04064	Flange Lock Nut, 1/4-20, Nylon	34.	710-0276	Carriage Bolt, 5/16-18, 1.0
11.	720-0223	Grip, 0.5 ID x 3.45	35.	710-04071	Carriage Bolt, 5/16-18, 1.0
12.	720-0274	Grip, 1.0 ID x 5.0	36.	710-0451	Carriage Bolt, 5/16-18, .750
—	725-1757	Heated Grip	37.	731-04426A	Upper Chute
13.	732-04205	Shift Spring Lever	38.	629-0059	Wire Harness (Not Shown)
14.	735-0199A	Rubber Bumper, .62 OD x .22	—	725-04216A	Wire Harness w/ Htd. Grp (NS)
15.	736-3015	Flat Washer, .469 x .875 x .105	39.	741-0475	Plastic Bushing, .380
16.	738-04122	Shoulder Screw, 1/4-20, .437	40.	784-5647	Chute Crank Bracket
17.	747-04243	Shift Lever	41.	731-04869	Chute Flange Keeper
18.	790-00100	Handle Panel, (no cutout) C-Style	42.	747-1136	Lens Retainer
—	790-00101	Handle Panel, (w/ cutout) D-Style	43.	725-1658	Halogen Lamp, 12V, 27W
19.	790-00187A	Speed Select Panel	44.	725-1672	Lamp Lens Assembly
20.	684-04104	Chute Crank Assembly	45.	710-0837	AB Screw
21.	710-0449	Carriage Screw, 5/16-18, 2.25	46.	731-04954	Steering Triggers
22.	714-0104	Cotter Pin, .072 x 1.13	47.	Pin	738-04126
23.	720-0201A	Crank Knob, 1.0 x 3.2	48.	E-Ring	716-04036
24.	720-0284	Wing Knob			

E/F-Style Handle, Frame & Discharge Chute



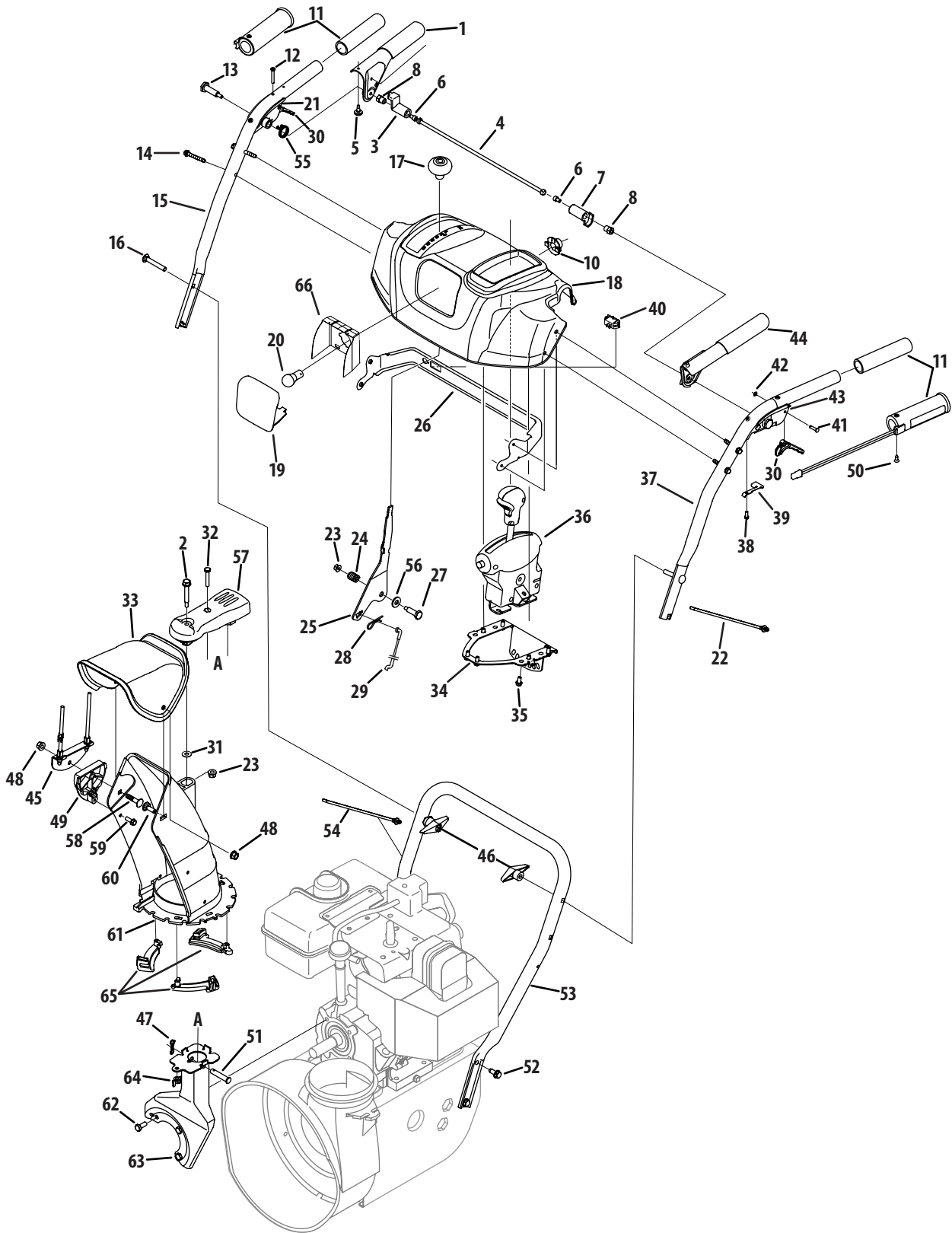
E/F-Style Handle, Frame & Discharge Chute

Ref.	Part Number	Description	Ref.	Part Number	Description
1.	631-04133A	Handle Assembly, Clutch Lock, LH	28.	746-04397	Speed Selector Cable
2.	631-04134B	Handle Assembly, Clutch Lock, RH	29.	747-04263	Chute Crank Eye Bolt
3.	684-04105B	Handle Assembly, Engage, LH	30.	790-00313	Shift Lever
4.	684-04106B	Handle Assembly, Engage, RH	31.	631-04131B	Lower Chute, 5.0 Dia.
5.	714-0145	Click Pin	32.	710-0276	Carriage Bolt, 5/16-18, 1.0
6.	710-04326	Screw, #8-16 x .50	33.	710-04071	Carriage Bolt, 5/16-18, 1.0
7.	710-04354	Screw, 1/4-20, .375	34.	710-0451	Carriage Bolt, 5/16-18, .750
8.	710-0606	Hex Screw, 1/4-20, 1.50	35.	731-04426A	Upper Chute w/ Label
9.	790-00219	Handle Panel, (no cutout) E-Style	36.	736-0159	Washer, .349 x .879 x .063
—	790-00209	Handle Panel, (w/ cutout) F-Style	37.	741-0475	Plastic Bushing, .380
10.	710-1233	Machine Screw, #10-24, 1.375	38.	784-5647	Chute Crank Bracket
11.	684-04250	Pivot Rod	39.	684-04104	Chute Crank Assembly
12.	712-04063	Flange Lock Nut, 5/16-18	40.	710-0449	Carriage Screw, 5/16-18, 2.25
13.	712-04064	Flange Lock Nut, 1/4-20	41.	710-04484	Screw, 5/16-18, 0.75, Gr5
14.	712-04081A	Shoulder Hex Nut, 1/4-20	42.	714-0104	Cotter Pin, .072 x 1.13
15.	720-0274	Grip	43.	720-0201A	Crank Knob, 1.0 Dia. x 3.2
—		Heated Grip	44.	720-0284	Wing Knob, 5/16-18
16.	720-04039	Shift Knob	45.	726-0100	Push Cap, 3/8 Rod
17.	731-04894C	Lock Plate	46.	735-0234	Grommet, .44 ID x .94 OD x .50
18.	731-04896B	Clutch Lock Cam	47.	736-0185	Flat Washer, .375 x .738 x .063
19.	732-0193	Spring, .39 x .60 x .88	48.	749-04141A	Upper Handle, RH
20.	732-04219A	Clutch Lock Spring	49.	749-04142A	Upper Handle, LH
21.	732-04238	Torsion Spring, 0.8156 ID x .3038	50.	749-04138A	Lower Handle
22.	725-04220	Wire Harness (not shown)	51.	747-1136	Lens Retainer
—	725-04216A	Wire Harness w/ Htd. Grp (NS)	52.	725-1658	Halogen Lamp, 12V, 27W
23.	735-0199A	Rubber Bumper, .62 OD x .22	53.	725-1672	Lamp Lens Assembly
24.	736-0262	Flat Washer, .385 x .870 x .092	54.	731-04954	Steering Triggers
25.	738-04118	Shoulder Bolt, 5/16-18 x 0.905	55.	710-0837	AB Screw
26.	738-04122	Shoulder Screw, .43 x 1.3, 1/4-20	56.	738-04126	Pin
27.	731-04869	Chute Flange Keeper	57.	716-04036	E-Ring

H-Style Handle, Frame & Discharge Chute

Ref.	Part Number	Description	Ref.	Part Number	Description
1.	631-04133A	Handle Assembly, Lock, LH	32.	747-04263	Chute Crank Eye Bolt
2.	631-04134B	Handle Assembly, Lock, RH	33.	749-04138A	Lower Handle
3.	684-04105B	Handle Assembly, Engagement LH	34.	749-04190A	Upper Handle, RH
4.	684-04106B	Handle Assembly, Engagement, RH	35.	749-04191A	Upper Handle, LH
5.	726-0470	Cable Tie	36.	631-04131B	Lower Chute
6.	710-04586	Screw, 1/4-20, 1.625	37.	710-0276	Carriage Bolt, 5/16-18, 1.0
7.	710-1233	Machine Screw, #10-24, 1.375	38.	712-04063	Flange Lock Nut, 5/16-18
8.	712-04064	Flange Lock Nut, 1/4-20, Nylon	39.	710-04071	Carriage Bolt, 5/16-18, 1.0
9.	725-1757	Grip	40.	710-0451	Carriage Bolt, 5/16-18, .750
—	720-0274	Heated Grip	41.	731-04426A	Upper Chute w/ Label
10.	720-04039	Shift Knob	42.	736-0159	Washer, .349 ID x .879 OD x .063
11.	631-04175	Handle Panel H-Style	43.	741-0475	Plastic Bushing, .380
12.	732-0193	Spring, .39 x .60 x .88	44.	784-5647	Chute Cank Bracket
13.	735-0199A	Rubber Bumper, .62 OD x .22	45.	731-04869	Chute Flange Keeper
14.	736-0267	Flat Washer, .385 x .870 x .06	46.	731-05320	Lens
15.	710-0837	AB Screw, 10-16 x .625	47.	777X41803	Lens Reflector Label
16.	738-04122	Shoulder Screw, .43 x 1.34, 1/4-20	48.	710-04326	Screw, #8-16 x 0.50
17.	738-04125	Shoulder Screw, .374 Dia. x 1.05	49.	710-04354	Screw, 1/4-20 x.375
18.	746-04396	Speed Selector Cable	50.	684-04250	Pivot Rod
19.	714-0145	Click Pin	51.	712-04081A	Shoulder Nut, 1/4-20
20.	790-00248A	Panel Bracket	52.	731-04894C	Lock Plate
21.	790-00203	Shift Lever	53.	731-04896B	Clutch Lock Cam
22.	684-04104	Chute Crank Assembly	54.	732-04219A	Clutch Lock Spring
23.	710-0449	Carriage Screw, 5/16-18, 2.25	55.	732-04238	Torsion Spring
24.	710-04484	Hex Screw, 5/16-18, 0.750	56.	725-04213	Lamp
25.	714-0104	Cotter Pin, .072 x 1.13	57.	725-04220	Wire Harness (Not Shown)
26.	720-0201A	Crank Knob, 1.0 Dia. x 3.2	—	725-04216A	Wire Harness - w/ Htd Grips (NS)
27.	720-0284	Wing Knob	58.	725-0157	Cable Tie
28.	726-0100	Push Cap, 3/8 Rod	59.	725-04393	Heated Grip Switch
29.	735-0234	Grommet, .44 ID x .94 OD x .50	60.	731-04954	Steering Triggers
30.	736-0185	Flat Washer, .375 x .738 x .063	61.	738-04126	Pin
31.	725-1649	Light Socket	62.	716-04036	E-Ring

L-Style Handle, Frame & Discharge Chute

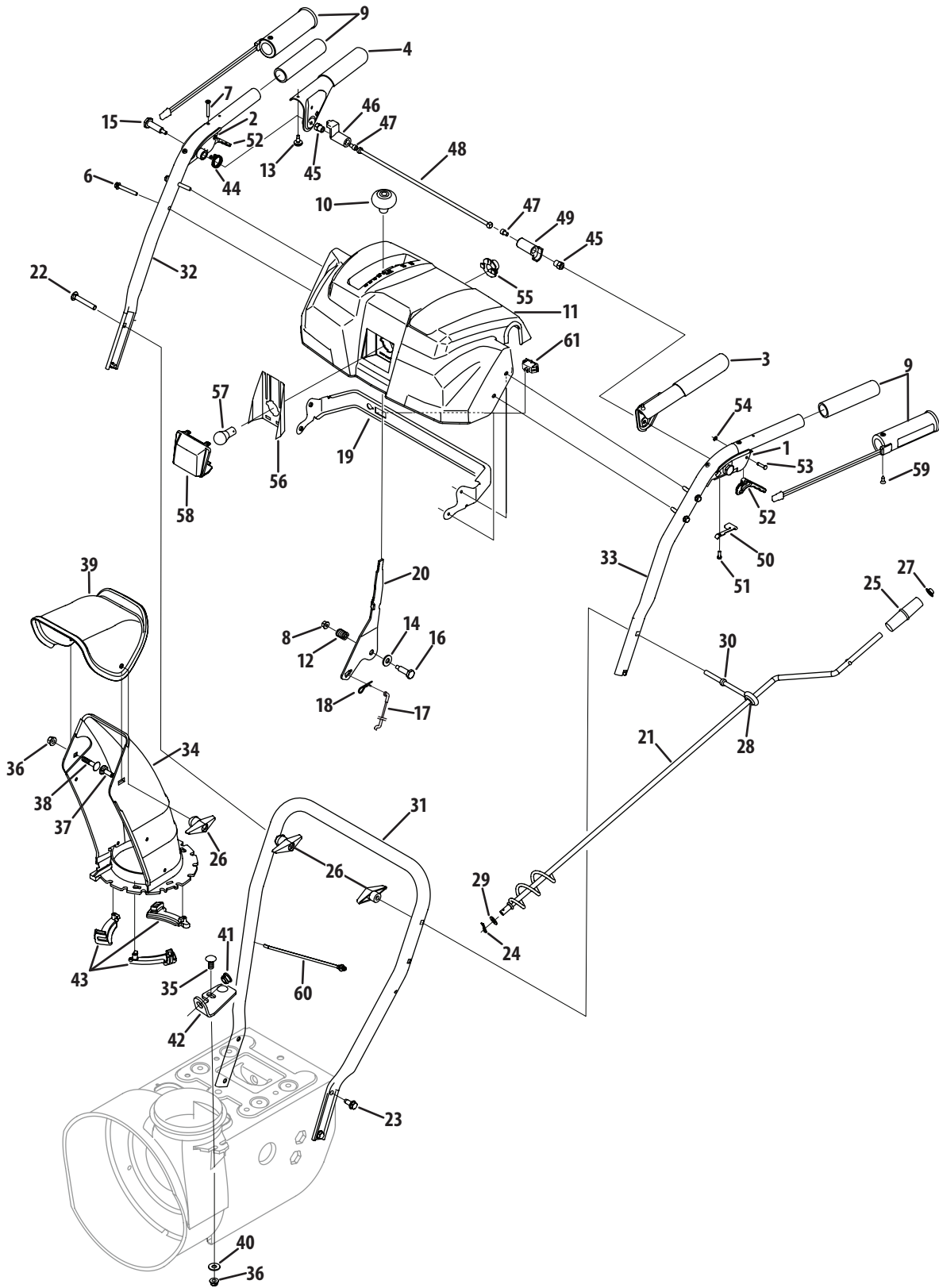


L-Style Handle, Frame & Discharge Chute

Ref.	Part Number	Description
1.	684-04106B	Handle Engagement Assembly RH
2.	738-04194	Flange Shoulder Screw
3.	731-04894C	Lock Plate
4.	711-04287	Pivot Rod
5.	735-0199A	Rubber Bumper
6.	710-04354	Screw, 1/4-20 x.375
7.	731-04896B	Clutch Lock Cam
8.	712-04081A	Shoulder Nut, 1/4-20
9.	725-04214	Wire Harness (Not Shown)
—	725-04216A	Wire Harness w/ Htd. Grip (NS)
10.	725-1649	Light Socket
11.	720-0274	Handle Grip
—	725-1757	Heated Handle Grip
12.	710-1233	Screw, #10-24 x 0.375
13.	738-04122	Shoulder Screw, 1/4-20 x 1.345
14.	710-04586	Screw, 1/4-20 x 1.625
15.	749-04190A	Upper Handle RH
16.	710-0449	Carriage Screw, 5/16-18 x 2.25
17.	720-04039	Shift Knob
18.	731-05347	Handle Panel L-Style
19.	731-05320	Lens
20.	725-04213	Lamp
21.	631-04134B	Handle Clutch Lock - RH
22.	725-0157	Cable Tie
23.	712-04064	Flange Lock Nut, 1/4-20
24.	732-0193	Compression Spring
25.	790-00311	Shift Lever
26.	790-00248A	Panel Bracket
27.	738-04125	Shoulder Screw
28.	714-0145	Click Pin
29.	746-04396	Speed Selector Cable
30.	731-04954	Steering Triggers
31.	736-0463	Flat Washer, .25 x .630 x .0515
32.	710-0606	Hex Screw, 1/4-20 x 1.50

Ref.	Part Number	Description
33.	731-04427A	Upper Chute
34.	790-00131	Joystick Bracket
35.	710-04187	Hi-Lo Screw, 1/4-15 x 0.5
36.	684-04116B	4-Way Chute Control
37.	749-04191A	Upper Handle LH
38.	710-04326	Screw, #8-16 x 0.50
39.	732-04219A	Clutch Lock Spring
40.	725-04393	Heated Grip Switch
41.	738-04126	Pin, 3/16
42.	716-04036	E Ring
43.	631-04133A	Handle Clutch Lock - LH
44.	684-04105B	Handle Engagement Assembly LH
45.	784-5594	Cable Bracket
46.	720-0284	Wing Knob
47.	714-04040	Bow Tie Cotter Pin
48.	712-04063	Flange Lock Nut, 5/16-18
49.	731-1313C	Chute Tilt Cable Guide
50.	710-0837	AB Screw
51.	711-04469A	Clevis Pin
52.	710-04484	AB Screw, 5/16-18 x 0.750
53.	749-04138A	Lower Handle
54.	726-0470	Cable Tie
55.	732-04238	Torsion Spring
56.	736-0267	Flat Washer .385 x .87 x .06
57.	731-04890A	Joystick Pulley Cover
58.	710-0262	Carriage Bolt, 5/16-18 x 1.50
59.	710-0895	Hi-Lo Screw, 1/4-15 x .75
60.	710-04071	Carriage Bolt, 5/16-18 x 1.0
61.	731-04861B	Lower Chute
62.	710-0627	Hex Screw, 5/16-24 x .750
63.	684-04162B	Chute Support Bracket
64.	712-3087	Wing Nut, 1/4-20
65.	731-04869	Chute Flange Keeper
66.	777X41803	Lens Reflector Label

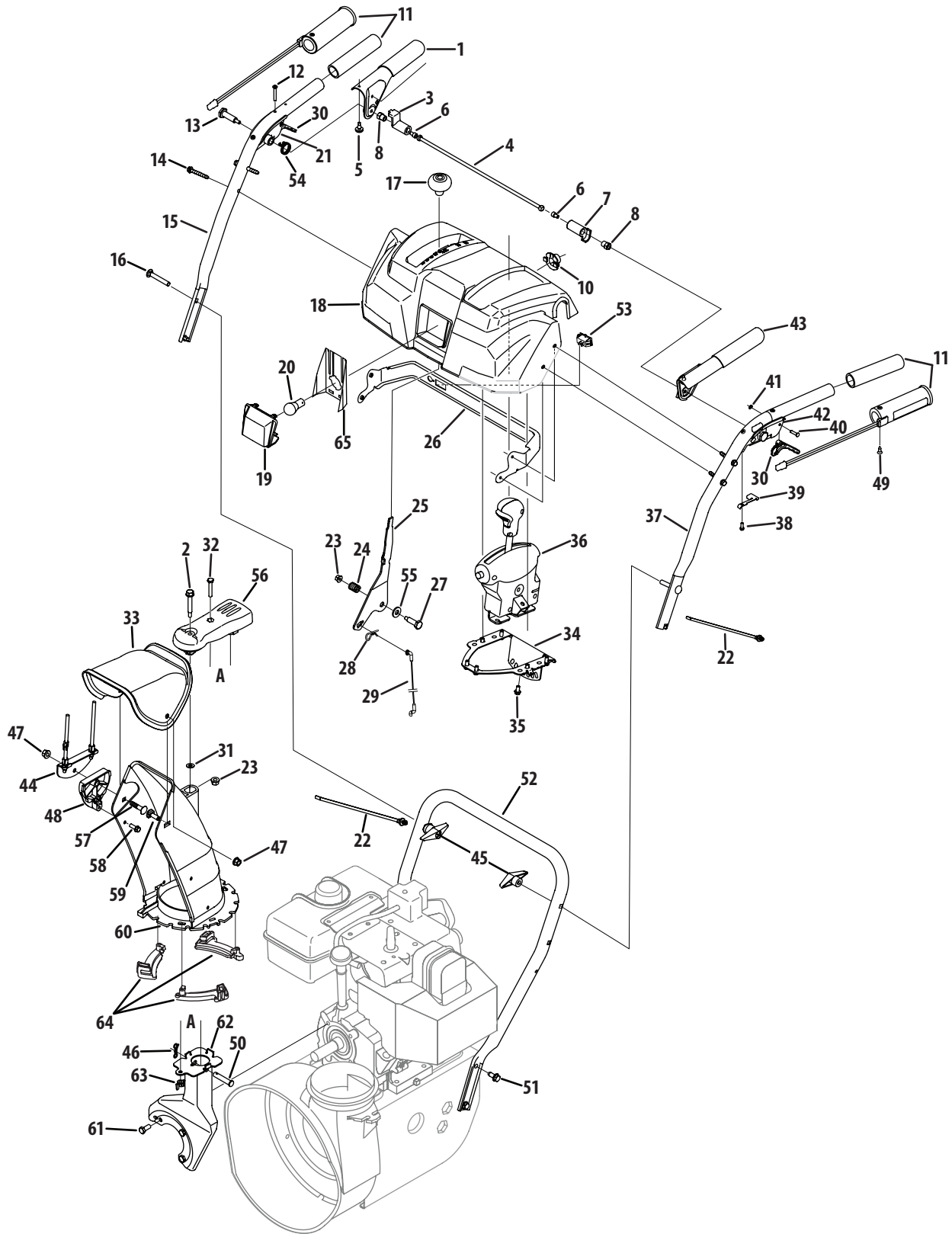
N-Style Handle, Frame & Discharge Chute



N-Style Handle, Frame & Discharge Chute

Ref.	Part Number	Description	Ref.	Part Number	Description
1.	631-04133A	Handle Assembly Lock. LH	30.	747-04263	Chute Crank Eye Bolt
2.	631-04134B	Handle Assembly Lock, RH	31.	749-04138A	Lower Handle
3.	684-04105B	Handle Assembly, Engagement LH	32.	749-04141A	Upper Handle, RH
4.	684-04106B	Handle Assembly Engagement, RH	33.	749-04142A	Upper Handle, LH
5.	625-04039	Wire Harness (Not Shown)	34.	631-04131B	Lower Chute
—	725-04216A	Wire Harness w/ Htd. Grips (NS)	35.	710-0276	Carriage Bolt, 5/16-18, 1.0
6.	710-04586	Screw, 1/4-20, 1.625	36.	712-04063	Flange Lock Nut, 5/16-18, Nylon
7.	710-1233	Machine Screw, #10-24, 1.375	37.	710-04071	Carriage Bolt, 5/16-18, 1.0
8.	712-04064	Flange Lock Nut, 1/4-20	38.	710-0451	Carriage Bolt, 5/16-18, .750
9.	720-0274	Grip	39.	731-04426A	Upper Chute w/ Label
—	725-1757	Heated Grip	40.	736-0159	Washer, .349 ID x .879 OD x .063
10.	720-04039	Shift Knob	41.	741-0475	Plastic Bushing, .380
11.	731-05334	N-Style Panel (w/o Cutout)	42.	784-5647	Chute Crank Bracket
—	731-05332	N-Style Panel (w/ Cutout)	43.	731-04869	Chute Flange Keeper
12.	732-0193	Spring, .39 x .60 x .88	44.	732-04238	Torsion Spring
13.	735-0199A	Rubber Bumper, .62 OD x .22	45.	712-04081A	Shoulder Nut
14.	736-0267	Flat Washer, 385 x .87 x .06	46.	731-04894C	Lock Plate
15.	738-04122	Shoulder Screw, .43 x 1.34, 1/4-20	47.	710-04354	Cap Screw 1/4-20 x .375
16.	738-04125	Shoulder Screw, .374 Dia. x 1.05	48.	711-04287	Pivot Rod
17.	746-04396	Speed Selector Cable	49.	731-04896B	Clutch Lock Cam
18.	714-0145	Click Pin	50.	732-04219A	Clutch Lock Spring
19.	790-00248A	Panel Bracket	51.	710-04326	Screw #8-16 x .50
20.	790-00311	Shift Lever	52.	731-04954	Steering Triggers
21.	684-04104	Chute Crank Assembly	53.	738-04126	Pin
22.	710-0449	Carriage Screw, 5/16-18, 2.25	54.	716-04036	E-Ring
23.	710-04484	Hex Screw, 5/16-18 x .750	55.	725-1649	Light Socket
24.	714-0104	Cotter Pin	56.	777X41805	Lens Reflector Label
25.	720-0201A	Crank Knob, 1.0 Dia. x 3.2	57.	684-04250	Bulb
26.	720-0284	Wing Knob	58.	731-05319	Lens
27.	726-0100	Push Cap, 3/8 Rod	59.	710-0837	AB Screw
28.	735-0234	Grommet, .44 ID x .94 OD x .50	60.	726-0470	Cable Tie
29.	736-0185	Flat Washer, .375 x .738 x .063	61.	725-04393	Heated Grip Switch

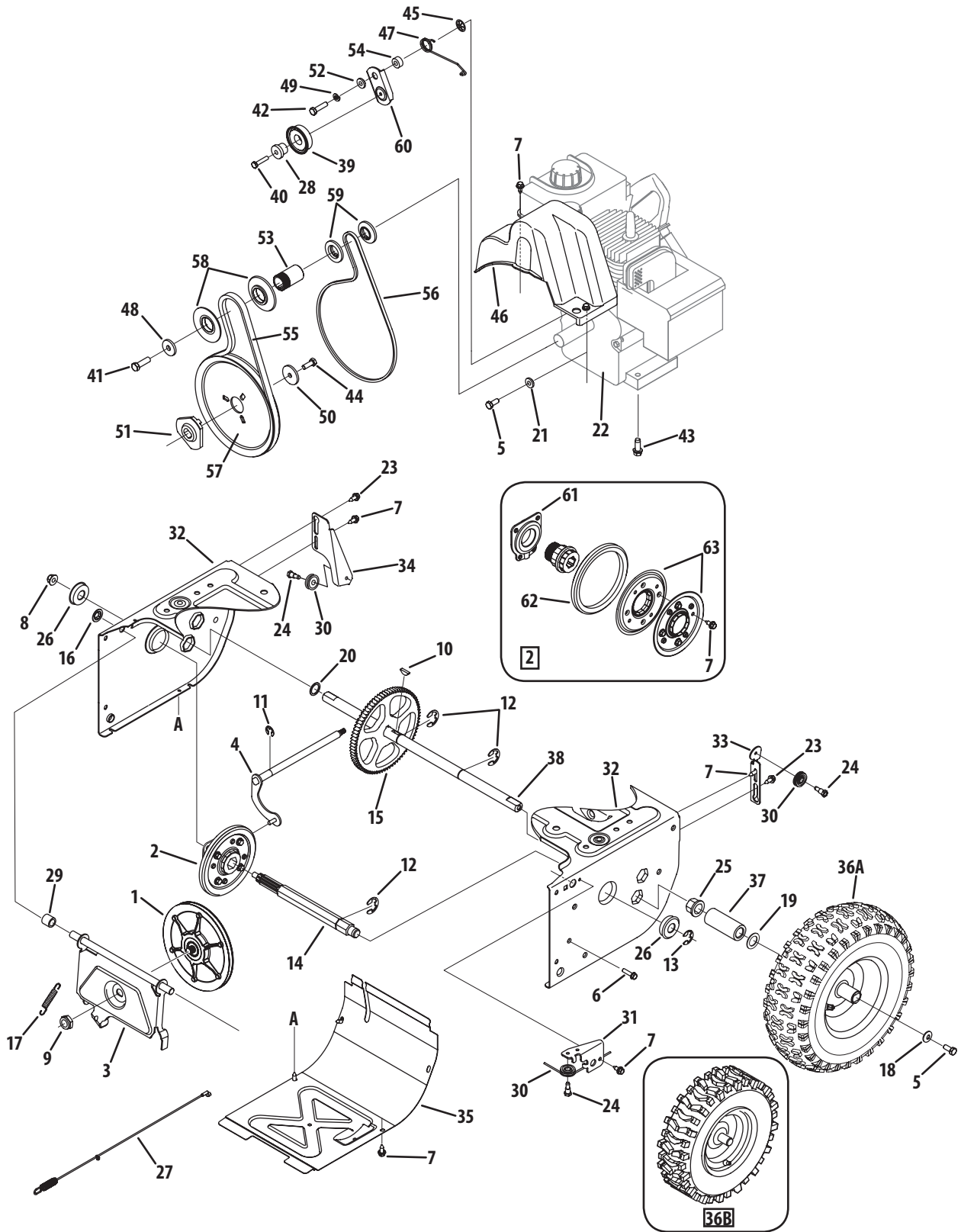
Q-Style Handle, Frame & Discharge Chute



Q-Style Handle, Frame & Discharge Chute

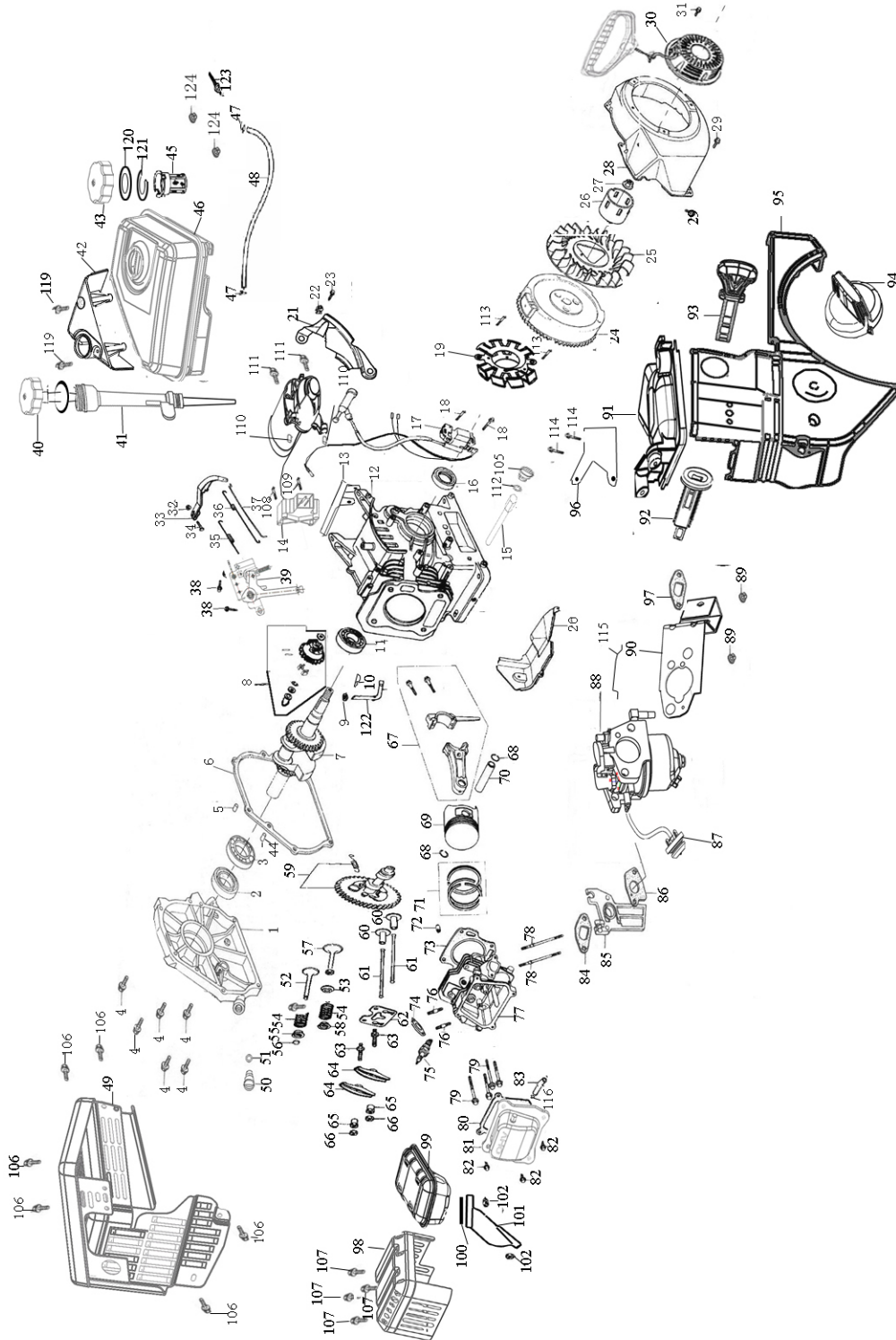
Ref.	Part Number	Description	Ref.	Part Number	Description
1.	684-04106B	Handle Engagement Assembly RH	33.	731-04427A	Upper Chute
2.	738-04194	Flange Shoulder Screw	34.	790-00131	Joystick Bracket
3.	731-04894C	Lock Plate	35.	710-04187	Hi-Lo Screw, 1/4-15 x 0.5
4.	684-04250	Pivot Rod	36.	684-04116B	4-Way Chute Control
5.	735-0199A	Rubber Bumper	37.	749-04191A	Upper Handle LH
6.	710-04354	Screw, 1/4-20 x .375	38.	710-04326	Screw, #8-16 x 0.50
7.	731-04896B	Clutch Lock Cam	39.	732-04219A	Clutch Lock Spring
8.	712-04081A	Shoulder Nut, 1/4-20	40.	738-04126	Pin, 3/16
9.	725-04214	Wire Harness (Not Shown)	41.	716-04036	E Ring
—	725-04216A	Wire Harness w/ Htd. Grip (NS)	42.	631-04133A	Handle Clutch Lock - LH
10.	725-1649	Light Socket	43.	684-04105B	Handle Engagement Assembly LH
11.	720-0274	Handle Grip	44.	784-5594	Cable Bracket
—	725-1757	Heated Handle Grip	45.	720-0284	Wing Knob
12.	710-1233	Screw, #10-24 x 0.375	46.	714-04040	Bow Tie Cotter Pin
13.	738-04122	Shoulder Screw, 1/4-20 x 1.345	47.	712-04063	Flange Lock Nut, 5/16-18
14.	710-04586	Screw, 1/4-20 x 1.625	48.	731-1313C	Chute Tilt Cable Guide
15.	749-04190A	Upper Handle RH	49.	710-0837	AB Screw
16.	710-0449	Carriage Screw, 5/16-18 x 2.25	50.	711-04469A	Clevis Pin
17.	720-04039	Shift Knob	51.	710-04484	AB Screw, 5/16-18 x 0.750
18.	731-05347	Handle Panel N-Style	52.	749-04138A	Lower Handle
19.	731-05319	Lens	53.	725-04393	Heated Grips Switch
20.	725-04213	Lamp	54.	732-04238	Torsion Spring
21.	631-04134B	Handle Clutch Lock - RH	55.	736-0267	Flat Washer .385 x .87 x .06
22.	725-0157	Cable Tie	56.	731-04890A	Joystick Pulley Cover
23.	712-04064	Flange Lock Nut, 1/4-20	57.	710-0262	Carriage Bolt, 5/16-18 x 1.50
24.	732-0193	Compression Spring	58.	710-0895	Hi-Lo Screw, 1/4-15 x .75
25.	790-00311	Shift Lever	59.	710-04071	Carriage Bolt, 5/16-18 x 1.0
26.	790-00248A	Panel Bracket	60.	731-04861B	Lower Chute
27.	738-04125	Shoulder Screw	61.	710-0627	Hex Screw, 5/16-24 x .750
28.	714-0145	Click Pin	62.	684-04162B	Chute Support Bracket
29.	746-04396	Speed Selector Cable	63.	712-3087	Wing Nut, 1/4-20
30.	731-04954	Steering Triggers	64.	731-04869	Chute Flange Keeper
31.	736-0463	Flat Washer, .25 x .630 x .0515	65.	777X41805	Lens Reflector Label
32.	710-0606	Hex Screw, 1/4-20 x 1.50			

Drive System



Ref.	Part Number	Description	Ref.	Part Number	Description
1.	656-04025A	Disc Assembly, Friction Wheel	36A	634-04144A	Snow Hog Wheel Assembly 13 x 4
2.	684-04153	Friction Wheel Assembly, 5.5 OD	—	634-04142A	Snow Hog Wheel Assembly 15 x 5
3.	684-04154	Friction Wheel Support Bracket	—	634-04141	Snow Hog Wheel Assembly 16 x 4.8
4.	684-04156A	Rod Shift Assembly	36B	634-04145	X-Trac Wheel Assy., LH, 16 x 4.8 x 8
5.	710-1652	Hex Screw, 5/16-24 x .750	—	634-04146	X-Trac Wheel Assy., RH, 16 x 4.8 x 8
6.	710-0788	Screw, 1/4-20 x 1.000	—	634-04167A	X-Trac Wheel Assy., LH, 13 x 4 x 6
7.	710-0896	Screw, 1/4-20 x .625	—	634-04168A	X-Trac Wheel Assy., RH, 13 x 4 x 6
8.	712-04065	Flange Lock Nut, 3/8-16, Nylon	37.	731-04873	Spacer, 1.25 x .75 x 3.0
9.	712-0413	Jam Lock Nut, 5/8-18, Nylon	38.	738-04168	Axle, .75 x 22"
10.	714-0126	Hi-pro Key, 3/16 x 3/4 Dia.	39.	684-04169	Idler Pulley Assembly
11.	716-0104	E-ring, .500 Dia.	40.	710-00809	Hex Screw, 1/4-20 x 1.25
12.	716-0136	Retaining E-ring, .875 Dia.	41.	710-0191	Hex Screw, 3/8-24, 1.25
13.	716-0231	E-ring, .750 Dia.	42.	710-00672	Hex Screw, 5/16-24, 1.25
14.	717-04209A	Hex Shaft, .8125, 7-Tooth	43.	710-0654A	Sems Screw, 3/8-16 x 1.00
15.	717-04230	Gear, 80-Tooth	44.	710-1245B	Hex Screw, 5/16-24 x .875
16.	726-0221	Speed Nut, .500	45.	726-04012	Push-on Nut, .25 Dia.
17.	732-0264	Extension Spring	46.	731-04792A	Belt Cover
18.	736-0242	Bell Washer, .340 x .872 x .060	47.	732-04308A	Torsion Spring, .850 ID x .354
19.	736-0287	Flat Washer, .793 x 1.24 x .060	48.	736-0247	Flat Washer, .406 x 1.25 x .157
20.	736-04161	Flat Washer, .75 x 1.00 x .060	49.	736-0119	Lock Washer .3125
21.	748-0234	Shoulder Spacer	50.	736-0505	Flat Washer, .34 x 1.50 x .150
22.	790-00289A	Cover Plate	51.	748-04053A	Adapter Pulley, .75 Dia.
23.	738-04184A	Shoulder Screw, .37 x .105, 1/4-20	52.	748-04112A	Shoulder Spacer, .317 x .50 x .102
24.	738-0924A	Screw, 1/4-28, .375	53.	750-04303	Spacer, .875 ID x 1.185 OD
25.	741-0245	Hex Flange Bearing	54.	750-04477	Spacer, .340 x .750 x .360
26.	741-0563	Ball Bearing, 17 x 40 x 12	55.	754-04050	Auger Drive Belt
27.	746-04229	Wheel Clutch Cable, 44.95"	56.	754-0367	Wheel Drive Belt
28.	750-04571	Shoulder Spacer, .26 x .79 x .538	57.	756-04109	Auger Drive Pulley, 8.1 x .5
29.	748-0190	Spacer, .508 ID x .75 OD x .68	58.	756-04113	Pulley Half, V x 2.600 OD
30.	756-0625	Cable Roller	59.	756-04252	Pulley Half, 1/4-V x 1.5 OD
31.	790-00096	Auger Cable Front Guide Bracket	60.	790-00208B	Wheel Drive Idler Bracket
32.	790-00180	Frame	61.	618-0063A	Bearing Assembly
33.	790-00206A	Auger Cable Guide Bracket	62.	735-04054	Friction Wheel Rubber
34.	790-00207A	Drive Cable Guide Bracket	63.	790-00174	Friction Wheel Plate
35.	790-00316	Frame Cover			

MTD Engine (370-SU)



MTD Engine (370-SU)

Part No.	Part Description	Ref No.	Qty.	Part No.	Part Description	Ref No.	Qty.	
751-10645	Electric Starter	14	1	751-10660	Gasket Kit Complete			
751-10646	Ignition Coil	17	1		Oil Seal	2	2	
751-10663	Fan Cover Complete	28	1		Crankcase Cover Gasket	6	1	
751-10658	Recoil Starter Assembly	30	1		O-Ring	9	1	
751-10654	Governor Spring	35	1		Cylinder Head Gasket	73	1	
751-10664	Throttle Return Spring	36	1		Muffler Gasket	74	1	
751-10665	Governor Rod	37	1		Head Cover Gasket	80	1	
751-10655	Dipstick	40	1		Carb Insulator Gasket	84	1	
751-10656	Dipstick Tube	41	1		Carburetor Insulator	85	1	
751-10662	Cover - Engine/Dipstick	42	1		Carburetor Gasket	86	1	
751-10652	Fuel Filter	45	1		Air Filter Gasket	97	1	
751-10653	Fuel Tank	46	1		Paper Gasket	100	1	
751-10642	Muffler Shroud	49	1		Oil Drain Washer	112	1	
751-10666	Muffler Gasket	74	1		751-10661	Gasket Kit External		
751-10292	Spark Plug	75	1			Oil Drain Washer	112	1
751-10639	Primer	87	1			Muffler Gasket	74	1
751-10638	Carburetor Assembly	88	1			Carb Insulator Gasket	84	1
751-10635	Air Filter Heating Pipe Cover	91	1			Carburetor Insulator	85	1
751-10637	Ignition Switch	92	1		Carburetor Gasket	86	1	
751-10630	Ignition Key	93	1	Head Cover Gasket	80	1		
751-10636	Choke Lever	94	1	751-10668	Cylinder Head Assembly			
751-10634	Engine Shroud	95	1		Rocker Arm	64	2	
751-10643	Muffler Shield	98	1		Intake Valve	57	1	
751-10640	Choke Push Rod	115	1		Exhaust Valve	52	1	
751-10651	Fuel Tank Nipple	123	1		Valve Spring	54	2	
751-10307	Flywheel Key	N/A	1		Valve Spring Retainers - Exhaust	55	1	
731-05696	Starter Handle	N/A	1		Pivot Adjusting Nut	65	2	
952Z370-SU	Engine Complete	N/A			Rocker Arm Lock Nut	66	2	
					Rocker Arm Studs	63	2	
					Push Rod Guide	62	1	
					Valve Cover Gasket	80	1	
					Carburetor Insulator Plate Gasket	84	1	
					Carburetor Insulator Plate	85	1	
					Muffler Gasket	74	1	
Cylinder Head Gasket 170	73	1						
Cylinder Head	77	1						
Exhaust Valve Adjuster	56	1						
Valve Spring Retainer- Intake	58	1						

MTD Engine (370-SU)

Part No.	Part Description	Ref No.	Qty.
751-10659	Short Block		
	Crankcase Complete 170	12	1
	Oil Pipe Reserve		
	Crankcase Cover	1	1
	Piston 170	69	1
	Piston Ring Set - Complete 170	71	1
	Piston Pin 170	70	1
	Piston Pin Clip	68	1
	Connecting Rod Assembly Complete	67	1
	Valve Lifter (Tappet)	60	1
	Camshaft Assembly	59	1
	Carb Insulator plate gasket	84	1
	Crankshaft Assembly	7	
	Carburetor Insulator Plate	85	
	Muffler Gasket 170	74	1
	Governor Arm Shaft	122	1
	Pin Lock	10	1
	Governor Assembly	8	1
	Case Cover Gasket	6	1
	Cylinder Head Gasket 170	73	1
	Valve Cover Gasket	80	1
	Oil Drain Bolt	105	1
	Oil Drain Plug Washer	112	1
	Dowel Pin	5	1
	Dowel Pin	44	1
	Dowel Pin	72	2
	Bearing	11	2
	Bolt	4	6
	Oil Seal	2	2
	O-Ring - Governor Arm	9	1
	Oil Filler Plug	50	1
	O-Ring - Oil Filler Plug	51	1
	Oil Drain Pipe	15	1

Part No.	Part Description	Ref No.	Qty.
751-10641	Oil Drain Assembly		
	Oil Drain Pipe	15	1
	Drain Bolt	105	1
751-10647	Valve Kit		
	Exhaust Valve	52	1
	Intake Valve	57	1
751-10648	Push Rod Kit		
	Push Rod	61	2
751-10649	Fuel Cap Assembly		
	Fuel Cap Complete	43	1
	Packing (Gasket)	120	1
	Clip (Gasket Retainer)	121	1
751-10650	Fuel Line Kit		
	Fuel Line Clamp	47	2
	Fuel Line	48	1
751-10657	Muffler Stud Assembly		
	Muffler Stud	78	2
751-10669	Oil Fill Plug Assembly		
	Oil Fill Plug	50	1
	O-Ring	51	1
751-10644	Muffler Assembly Complete		
	Muffler Assembly		1
	Exhaust Pipe		1

MTD LLC, P.O. BOX 361131 CLEVELAND, OHIO 44136-0019
