

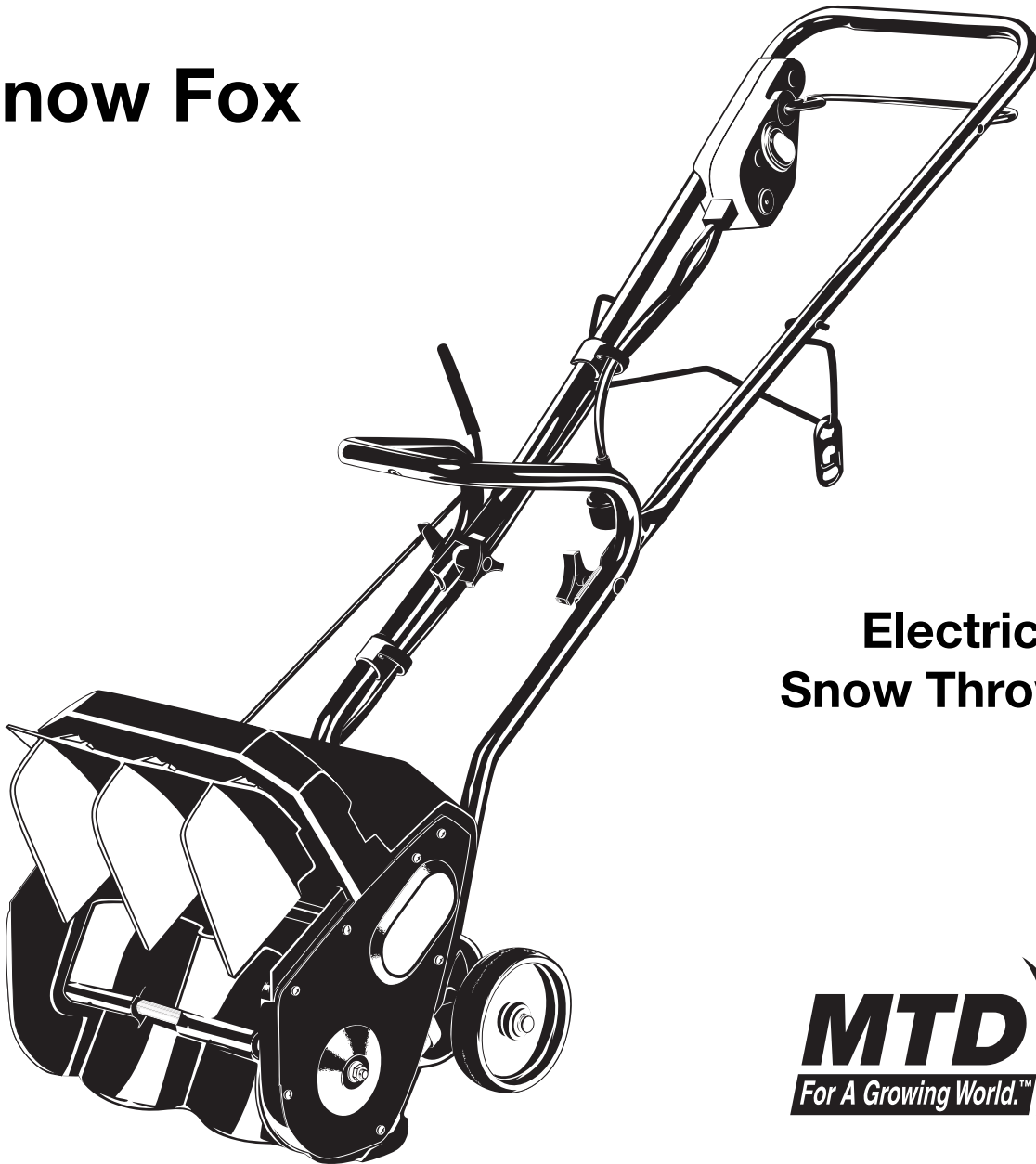
YARD MACHINES

by **MTD**

English

Operator's Manual

Snow Fox



Electric Snow Thrower



IMPORTANT: Read safety rules and instructions carefully before operating equipment.

INTRODUCTION

THANK YOU

Thank you for buying this quality product. This modern outdoor power tool will provide many hours of useful service. You will find it to be a great labor-saving device. This operator's manual provides you with easy-to-understand operating instructions. Read the whole manual and follow all the instructions to keep your new outdoor power tool in top operating condition.

PRODUCT REFERENCES, ILLUSTRATIONS AND SPECIFICATIONS

All information, illustrations, and specifications in this manual are based on the latest product information available at the time of printing. We reserve the right to make changes at any time without notice.

Copyright© 2006 MTD SOUTHWEST INC, All Rights Reserved.

SERVICE INFORMATION

Service on this unit both within and after the warranty period should be performed only by an authorized and approved service dealer.

For service call **1-800-800-7310**, or **1-800-668-1238** in Canada to obtain a list of authorized service dealers near you. For more details about your unit, visit our website at **www.yardmachines.com**.

If you have difficulty assembling this product or have any questions regarding the controls, operation or maintenance of this unit, please call the Customer Support Department.

DO NOT RETURN THE UNIT TO THE RETAILER. PROOF OF PURCHASE WILL BE REQUIRED FOR WARRANTY SERVICE.

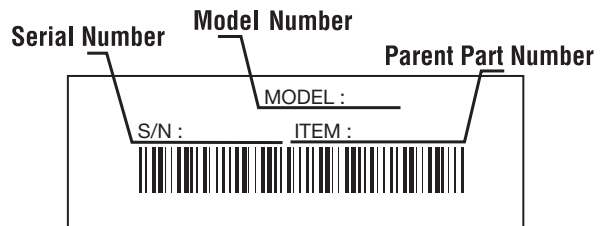
Make sure you carefully read and understand this manual before starting or operating this equipment.

THIS PRODUCT IS COVERED BY ONE OR MORE U.S. PATENTS. OTHER PATENTS PENDING.

TABLE OF CONTENTS

Service Information	2
Rules for Safe Operation	3
Know Your Unit	7
Assembly Instructions	8
Operating Instructions	9
Maintenance and Repair Instructions	11
Cleaning and Storage	12
Troubleshooting Chart	13
Specifications	13
Parts List	S14
Warranty Information	Inside Back Cover

Before beginning, locate the unit's model plate. It lists the model and serial numbers of your unit. Refer to the sample plate below and copy the information for future reference.




Copy the model and parent part number here: _____

Copy the serial number here: _____


RULES FOR SAFE OPERATION


The purpose of safety symbols is to attract your attention to possible dangers. The safety symbols, and their explanations, deserve your careful attention and understanding. The safety warnings do not by themselves eliminate any danger. The instructions or warnings they give are not substitutes for proper accident prevention measures.

SYMBOL	MEANING
--------	---------


	<p>DANGER: Failure to obey a safety warning will result in serious injury to yourself or to others. Always follow the safety precautions to reduce the risk of fire, electric shock and personal injury.</p>
---	---

SYMBOL	MEANING
--------	---------

	<p>WARNING: Failure to obey a safety warning can result in injury to yourself and others. Always follow the safety precautions to reduce the risk of fire, electric shock and personal injury.</p>
---	---

	<p>SAFETY ALERT: Indicates danger, warning or caution. Attention is required in order to avoid serious personal injury. May be used in conjunction with other symbols or pictographs.</p>
---	--

NOTE: Advises you of information or instructions vital to the operation or maintenance of the equipment.


	<p>CAUTION: Failure to obey a safety warning may result in property damage or personal injury to yourself or to others. Always follow the safety precautions to reduce the risk of fire, electric shock and personal injury.</p>
---	---

Read the Operator's Manual and follow all warnings and safety instructions. Failure to do so can result in serious injury to the operator and/or bystanders.

FOR QUESTIONS, CALL 1-800-800-7310 IN U.S. OR 1-800-668-1238 in CANADA

• IMPORTANT SAFETY INSTRUCTIONS •

READ ALL INSTRUCTIONS

	<p>WARNING: When using the unit, you must follow the safety rules. Please read these instructions before operating the unit in order to ensure the safety of the operator and any bystanders. Please keep these instructions for later use.</p>
---	--

Before Operating

- Read the instructions carefully. Be familiar with the controls and proper use of the unit.
- Do not operate this unit when tired, ill or under the influence of alcohol, drugs or medication.
- Children under the age of 15 must not use the unit; teens may operate the unit with adult guidance.
- Inspect the unit before use. Replace damaged parts. Make sure all fasteners are in place and secure. Replace snow thrower parts that are cracked, chipped, or damaged in any way.
- Exercise caution to avoid slipping or falling.
- Thoroughly inspect the area where the snow thrower is to be used. Remove all doormats, sleds, boards, wires, debris, and other foreign objects which may be thrown by the snow thrower.
- Make sure the rotor will spin freely before using the unit.
- Dress properly. Wear adequate winter outer garments. Wear heavy, long pants, boots, gloves and a long sleeve shirt. Do not wear loose clothing, jewelry, short pants, sandals or go barefoot. Secure hair above shoulder level.
- Wear footwear that doesn't leak when operating the snow thrower and that will improve footing on slippery surfaces. Wear rubber boots.
- Never attempt to make adjustments while the motor is running.
- Let the motor and unit adjust to outdoor temperatures before starting to clear snow.
- Always wear safety glasses/shields or goggles at all times during operation or while performing an adjustment or repair to protect eyes from foreign objects that may be thrown from the machine.

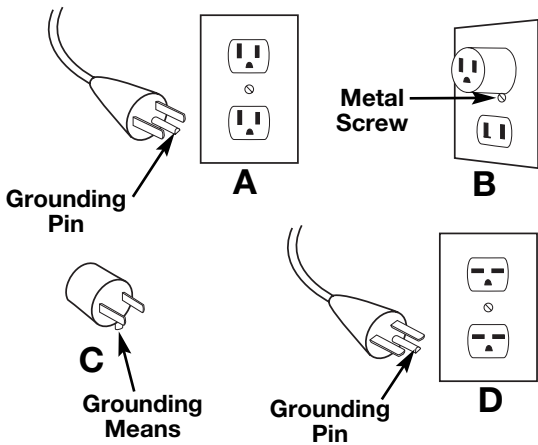
RULES FOR SAFE OPERATION

SAFETY WARNINGS FOR ELECTRIC UNITS



DANGER: When using electric machines, basic safety precautions should always be followed to reduce the risk of fire, electric shock and personal injury. Carefully read and understand the entire operator's manual before using your unit. Pay close attention to the operating instructions and safety warnings.

- This snow thrower should be grounded while in use to protect the operator from electric shock. The snow thrower is equipped with an approved 3-conductor cord and 3-prong grounding-type plug to fit the proper grounding-type receptacle. The green or green/yellow conductor in the cord is the grounding wire. Never connect this wire to a live terminal. If your unit is for use on less than 150 volts, it has a plug that looks like A in the figure below. If it is for use on 150 to 250 volts, it has a plug that looks like D in the figure.



- An adapter (shown in B and C in the above figure) is available for connecting 3-prong grounding-type plugs to 2-prong receptacles. The grounding means extending from the adapter must be connected to a permanent ground such as a properly-grounded outlet box. No adapter is available for the plug shown in D.
- Use only 3-wire outdoor extension cords that have 3-prong grounding-type plugs and 3-pole receptacles that accept the snow thrower's plug. Replace or repair damaged cords.

MINIMUM WIRE SIZE FOR EXTENSION CORDS FOR 120 VOLT APPLIANCES USING 0-12 AMPS				
Cord length (ft.)	25	50	100	150
Wire size (AWG)	16	16	14	14

CORD SETS: Please see your dealer for the appropriated extension cord to use with this product. Make sure your cord set is in good condition, with a cord that is heavy enough to carry the current that your unit will draw. An undersized cord set will cause a drop in line voltage resulting in a loss of power, as well as overheating. The table shown above illustrates the correct size to use depending on the cord length and nameplate amperage rating. If in doubt, use the next heavier size line gauge. The smaller the gauge number, the heavier the cord. To prevent the cord from disconnecting from the unit, use the cord hook shown in the *Operating Instructions*.



WARNING: To reduce the risk of electrical shock, use only SW-A, SOW-A, STOW-A, SJW-A, SJOW-A, SJTW-A or SJTOW-A cord types.

- Ground Fault Circuit Interrupter (GFCI) protection should be provided on the circuit(s) or outlet(s) that will be used for the unit. Use receptacles with built-in GFCI protection for an extra measure of safety.
- A data plate on your unit indicates the voltage used. Never connect the unit to an AC voltage that differs from this voltage.



WARNING: To prevent electric shock, use only with an extension cord suitable for outdoor use.

- Inspect all extension cords and the unit power connection periodically. Look closely for deterioration, cuts or cracks in the insulation. Also inspect the connections for damage. Repair or replace the cords if any defects appear.
- When cleaning, inspecting or repairing the unit, make certain the rotor and all moving parts have stopped. Disconnect the extension cord to prevent accidental starting.
- Do not abuse the extension cord. Never carry the snow thrower by the cord or yank on the cord to disconnect it from the receptacle.
- Keep the extension cord away from heat, oil, and sharp edges to prevent damage.
- If the extension cord is damaged in any manner while it is plugged in, pull the extension cord from the wall receptacle.
- Prevent any possible disconnection of the cord receptacle from the extension cord during operation by using the cord retainer and guide bar. Refer to the section *Using the Cord Retainer*.
- Avoid accidental starting. Don't carry a plugged-in snow thrower with your finger on the switch. Be sure switch is off when plugging in the unit.
- Always unplug the unit and allow it to cool before putting it into storage. Store indoors.
- Always unplug the unit when not in use, and before performing any maintenance or repairs.

WHILE OPERATING

- Walk, never run.
- Be sure the snow thrower is not in contact with anything before starting the unit.
- Stay away from the discharge opening at all times. Keep face, hands, and feet away from concealed moving or rotating parts.
- Be attentive when using the snow thrower, and stay alert for holes in the terrain and other hidden hazards or traffic.

RULES FOR SAFE OPERATION

- Do not use on a gravel surface or crushed rock surfaces. Use extreme caution when crossing gravel/crushed rock drives, walks, or roads.
- Clear snow from slopes by going up and down. Never go across the slope. Use caution when changing directions. Never clear snow from steep slopes.
- Never attempt to use the snow thrower on a roof or any steep, inclined, slippery surfaces.
- Never operate snow thrower without proper guards, plates or other safety protective devices in place.
- Never operate the snow thrower near glass enclosures, automobiles, trucks, window wells, dropoffs, etc. without proper adjustment of the snow discharge angle. Keep children and pets away.
- Don't force or overload the snow thrower. The snow thrower will perform at its best and safest when it is run at the rate for which it was designed.
- Never operate the machine at high speeds on slippery surfaces. Look behind and use care when backing up.
- Never direct discharge towards people or allow anyone in front of the unit while operating.
- Wear safety glasses or goggles that are marked as meeting ANSI Z87.1 standards, and ear/hearing protection when operating this unit.
- Use the unit only in daylight or good artificial light.
- Avoid accidental starting. Remain in the starting position whenever starting the unit. The operator and unit must be in a stable position while starting. See *Starting/Stopping Instructions*.
- Use the right tool. Only use this tool for the purpose intended.
- Do not overreach. Always keep proper footing and balance.
- Always hold the unit with both hands when operating. Keep a firm grip on handles or grips.
- Keep hands, face, and feet at a distance from all moving parts. Do not touch or try to stop the rotor when it is rotating.
- If the rotor will not rotate freely due to frozen ice, thaw the unit thoroughly before attempting to operate it under power.
- Keep the rotor clear of debris.
- Never attempt to clear the rotor with the motor running. Turn the motor off first and unplug the extension cord.
- Keep clothing and body parts away from the rotor.
- Do not operate the motor faster than the speed needed. Do not run the motor at high speed when not clearing snow.
- Always stop the motor when clearing snow is delayed or when walking from one location to another.
- Disengage power to the rotor when snow thrower is transported or not in use.
- After striking a foreign object, turn the unit off and inspect the snow thrower for damage. Unplug the unit. Repair damage before restarting and operating the unit.
- If the unit should start to vibrate abnormally, stop the unit and check immediately for the cause. Vibration is generally a warning of trouble.
- Stop the motor and unplug the unit whenever you leave the operating position, before unclogging the rotor or discharge vanes, and when making any repairs, adjustments, or inspections.
- Never discharge snow onto public roads or near moving traffic.
- Let the snow thrower run for a few minutes after clearing snow so moving parts do not freeze.
- Use only original equipment manufacturer replacement parts and accessories for this unit. These are available from your authorized service dealer. Use of any unauthorized parts or accessories could lead to serious injury to the user or damage to the unit, and void your warranty.
- Do not use the unit in the hand held position. Do not pick up the unit when it is powered and running. The unit is designed to travel along the ground.

OTHER SAFETY WARNINGS

- Be sure to secure the unit while transporting.
- Store the unit in a dry area, locked up or up high to prevent unauthorized use or damage, out of the reach of children.
- Never douse or squirt the unit with water or any other liquid. Keep handles dry, clean and free from debris. Clean after each use, see *Cleaning and Storage* instructions.
- If the labels on the unit become defaced or start lifting off, contact your authorized service dealer.
- Keep these instructions. Refer to them often and use them to instruct other users. If you loan someone this unit, also loan them these instructions.
- Maintain snow throwers with care. Follow instructions for lubricating and changing accessories.

SAVE THESE INSTRUCTIONS

RULES FOR SAFE OPERATION

This operator's manual describes safety and international symbols and pictographs that may appear on this product. Read the operator's manual for complete safety, assembly, operating and maintenance and repair information.

SYMBOL

MEANING



- **SAFETY ALERT SYMBOL**

Indicates danger, warning or caution. May be used in conjunction with other symbols or pictographs.



- **WARNING - READ OPERATOR'S MANUAL**

Read the operator's manual(s) and follow all warnings and safety instructions. Failure to do so can result in serious injury to the operator and/or bystanders.



- **KEEP BYSTANDERS AWAY**

WARNING: Keep all bystanders, especially children and pets, at least 50 feet (15 m) from the operating area.

SYMBOL

MEANING



- **THROWN OBJECTS AND ROTATING CUTTER CAN CAUSE SEVERE INJURY**

WARNING: Small objects can be propelled at high speed, causing injury. Keep away from the rotating rotor.



- **SPINNING ROTOR CAN CAUSE SEVERE INJURY**

WARNING: Keep hands, feet, and clothing away from the discharge area. Do not step in front of the unit, or use hands to clean the rotor area.



- **KEEP HANDS AND FEET AWAY**

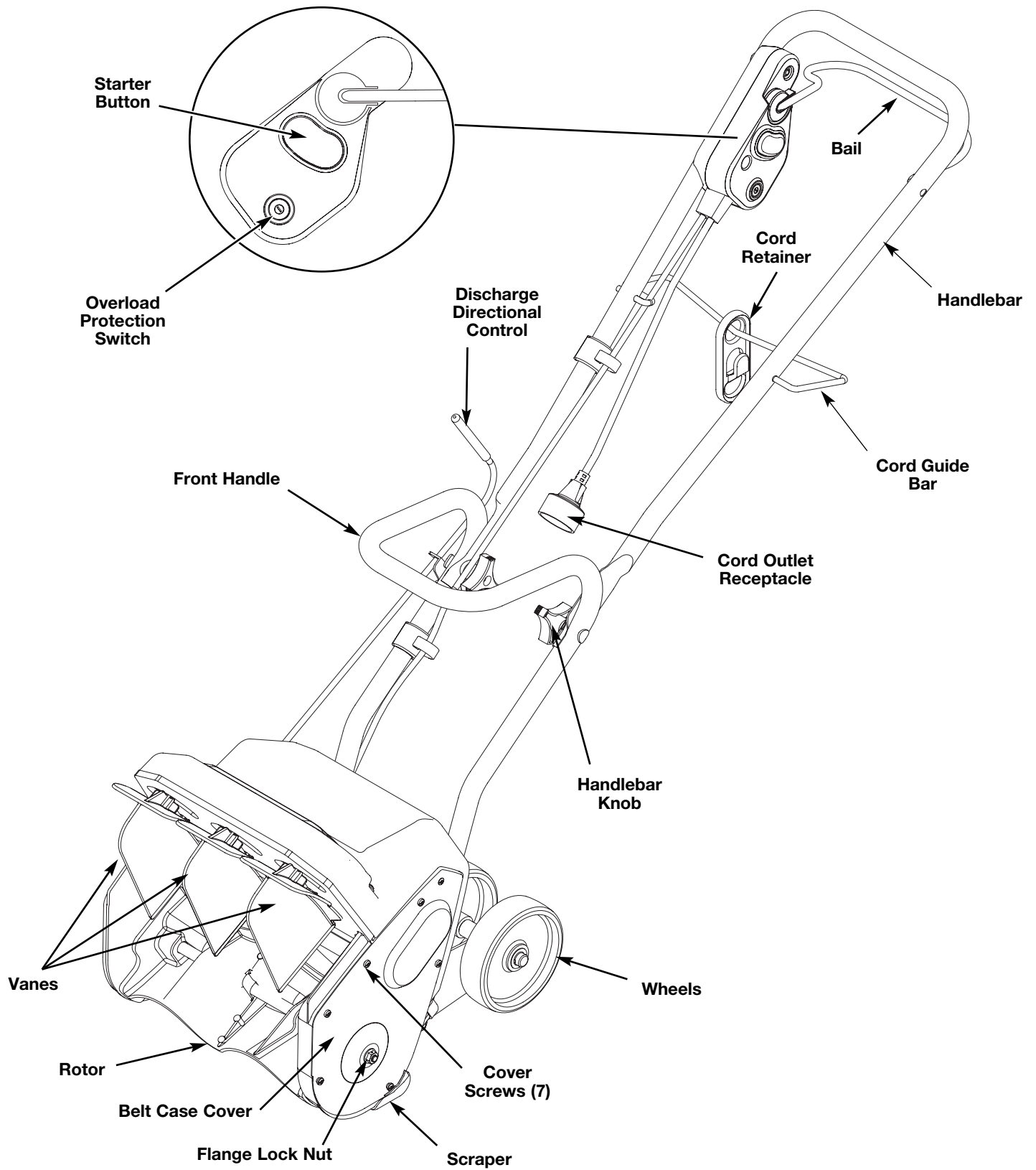


KNOW YOUR UNIT

APPLICATIONS

As a snow thrower:

- Clears snow from walkways, driveways, sidewalks, pathways and more



ASSEMBLY INSTRUCTIONS

ASSEMBLING THE HANDLEBARS

Before you can operate the unit, you must install the handlebars.

1. When you unpack the unit, loosen and remove the two knobs and washers from the inside of the lower bars (Fig. 1).
2. Hold the handle bar in the position shown in Figure 1 and slide it onto the lower bars making sure that the ends of the handlebar are on the inside of the lower bars.
3. Align the holes in the handlebar with the holes in the lower bars and insert the bolts through those holes.
4. Check to make sure the bail is assembled into switch assembly (Fig. 1).

NOTE: Take care not to pinch the switch cable when positioning the handlebars.

5. Place the washers on the bolts, then screw the two knobs onto them.
6. Tighten the knobs to secure the handlebars in place.

NOTE: Do not over-tighten the knobs.

7. Clip the switch cable to the cable restraint on the lower bar as shown in the inset of Figure 1.
8. Remove the banding once the upper handle is assembled to the lower handle (Fig. 1).

USING THE CORD RETAINER

There is an extension cord retainer to prevent the extension cord from disconnecting during use. The retainer hangs from the cord guide bar.

NOTE: Do not plug the extension cord into the power source receptacle until the cord is connected to the cord retainer and plugged into the unit.

To use the cord retainer:

1. Fold the extension cord in half, forming a tight loop near the receptacle.
2. Push the loop through the bottom hole in the retainer (Fig. 2).
3. Slide the loop over the retaining clip and pull down until the cord fits snugly (Fig. 2).

NOTE: Use a UL-approved extension cord. A 100-foot, 14-gauge cord is recommended. A 50-foot, 16-gauge cord is acceptable.

Both the cord retainer and guide bar restrain the extension cord and keep it out of the way at all times, safely to the side of the operator.

The extension cord and retainer will slide on the guide bar as the unit is moved to the left and right. Connect your extension cord to the unit as shown in Figure 3.

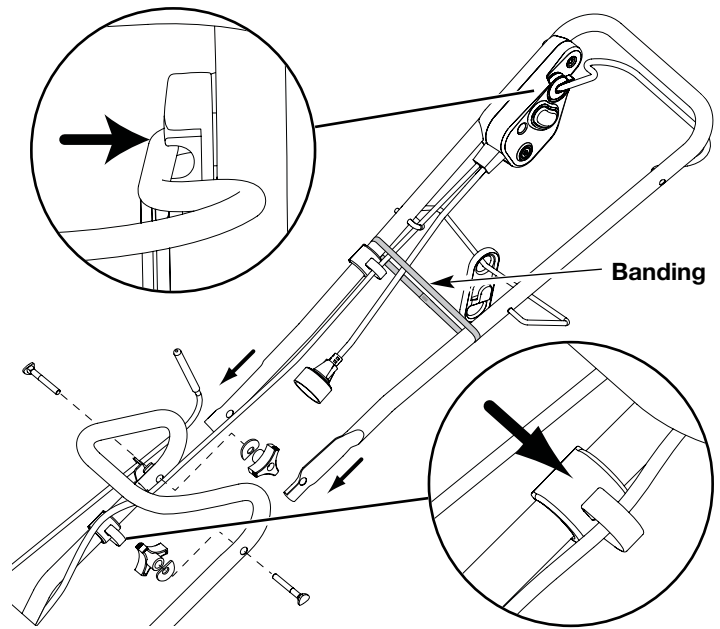


Fig. 1

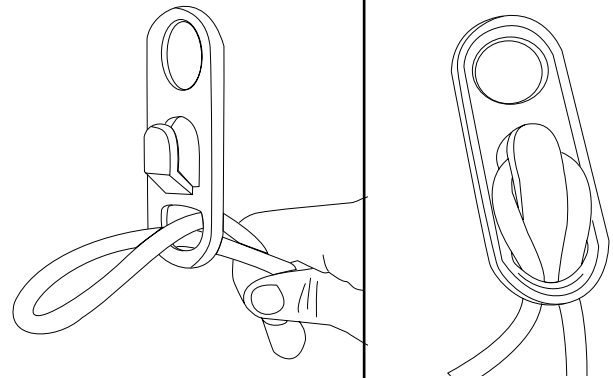


Fig. 2

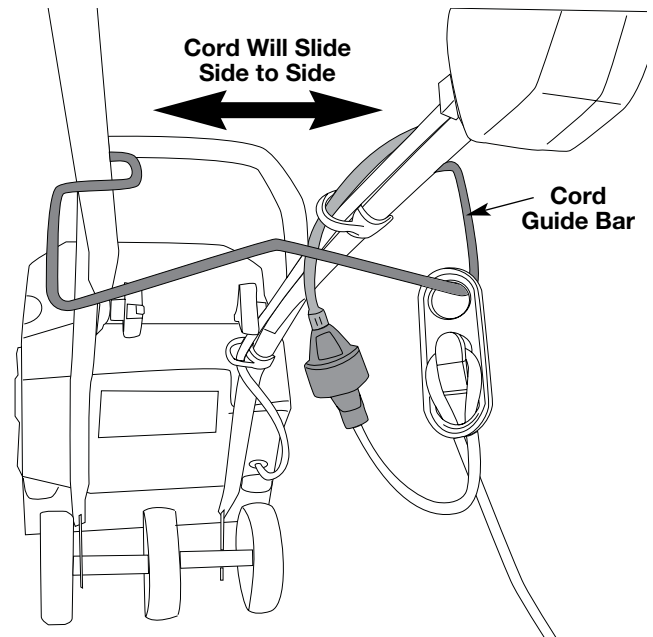


Fig. 3

OPERATING INSTRUCTIONS

STARTING INSTRUCTIONS



WARNING: Avoid accidental starting. Make sure you are in the starting position when using the snow thrower. To avoid serious injury, the operator and unit must be in a stable position while starting.

You must follow this sequence correctly to start the unit.

1. Make sure you have plugged in the unit.
2. Press in and hold the red starter button (Fig. 4).
3. While holding the starter button, lift and hold the bail.

NOTE: The unit will NOT start if you fail to press and hold the starter button until you lift the bail.

4. Hold the bail and begin operating the unit (Fig. 5).

STOPPING INSTRUCTIONS

1. Release your hand from the bail.
2. The starter button will pop out and the unit will stop.

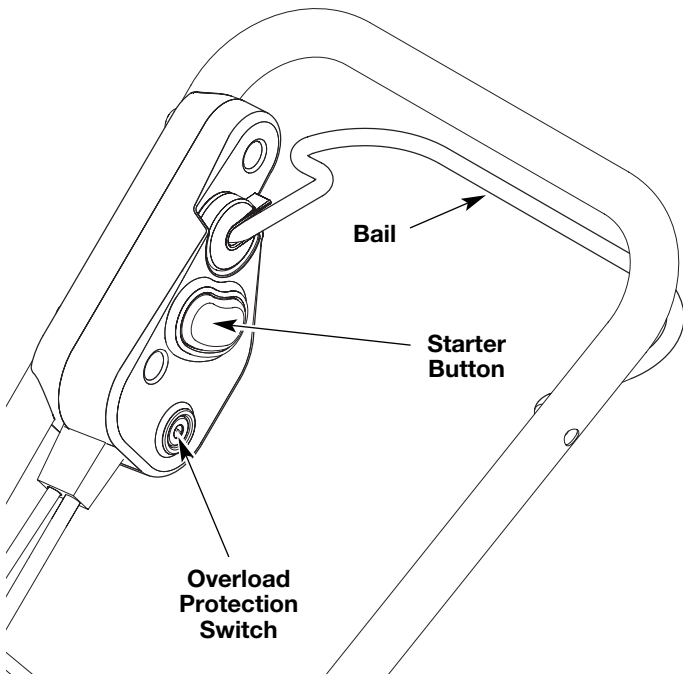


Fig. 4

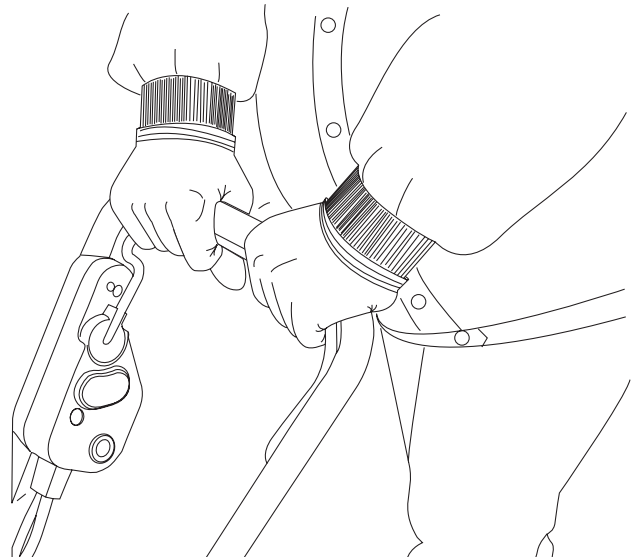


Fig. 5

OVERLOAD PROTECTION SWITCH

This unit is equipped with an overload protection switch to protect the circuit (that the unit is plugged into) from short circuit overloads.

If the switch pops out:

1. Release the bail and allow the unit to stop and cool for a minute.
2. Press the overload switch to reset. Resume operation (Fig. 4).

If the switch pops again shortly after the first time:

1. Allow the unit to cool for 15 to 30 minutes.
2. After the unit has cooled, press the overload switch to reset. Resume operation.

If the switch does not stay in, or if it continues to pop out during operation, take the unit to an authorized service dealer for repair.

OPERATING THE UNIT

1. Start the unit according to the *Starting Instructions*. The depth and weight of the snow governs the forward speed.
2. Push the unit so that it rides on the wheels and scraper.
3. Make sure the power cord is attached to the cord retainer and rests on the guide bar. The power cord should trail to the side of the operator.

OPERATING INSTRUCTIONS

Discharge Direction Adjustment

Snow may be discharged to the left, straight forward, or to the right of the operator.

To change the direction, use the following instructions:

1. Release the bail to stop the rotor.
2. Firmly grasp the discharge directional control handle and pull it up. This releases the spring-loaded rod from the discharge direction slot and allows free movement (Fig. 6)
3. Turn the discharge directional control to the left, the center or the right, depending on which direction you want to throw the snow (Fig. 7).

NOTE: From the center position, the discharge directional control turns approximately 45 degrees in either direction (left or right). Do not force it.

4. Release the discharge directional control so it fits into the slot to secure the desired position.

NOTE: Make sure the discharge directional control is securely positioned in direction slot and cannot rotate freely.

5. Restart the unit according to the *Starting Instructions*.

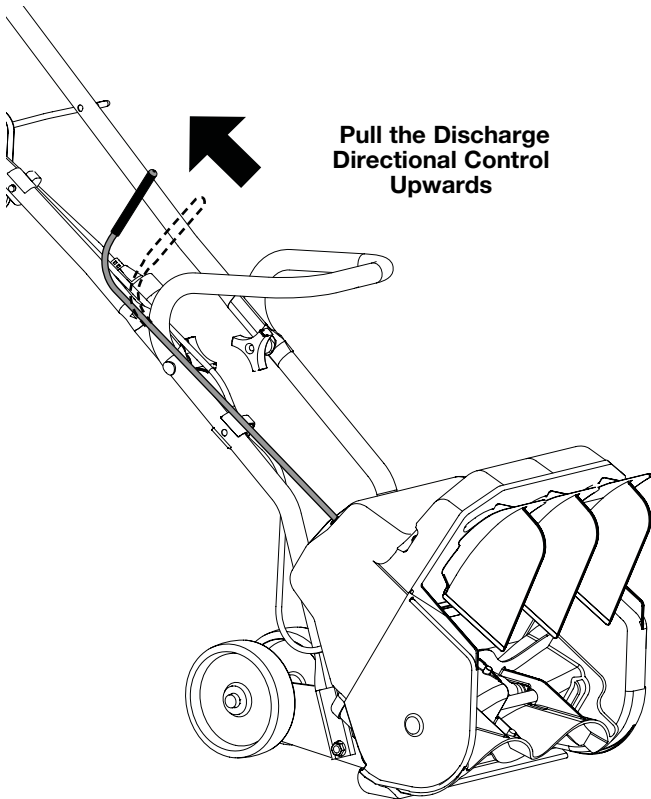


Fig. 6

Top View

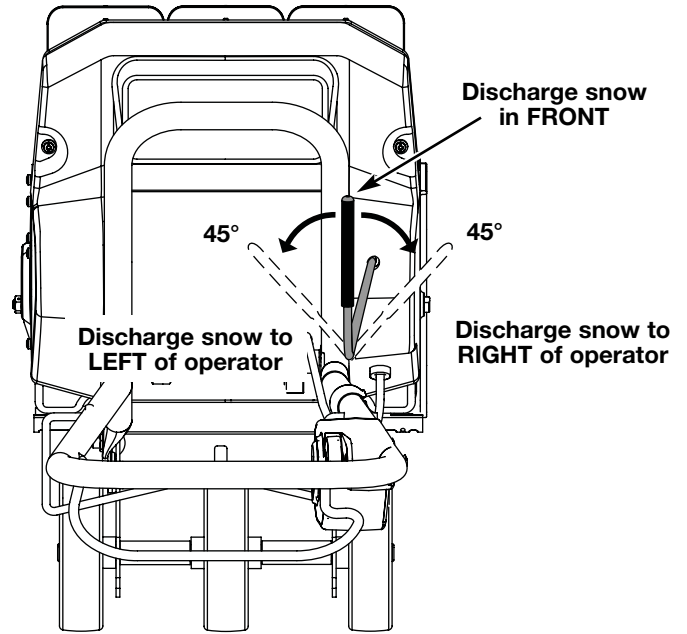


Fig. 7

Tips for Best Snow Throwing Results

- For the most efficient snow throwing, keep the vanes parallel and throw snow downwind.
- Slightly overlap each swath you make (Fig. 8).



Fig. 8

MAINTENANCE AND REPAIR INSTRUCTIONS

REPLACING THE SCRAPER



WARNING: To avoid serious personal injury, always turn your unit off and unplug it before you perform maintenance.

Use only original equipment manufacturer replacement parts.

1. Place the unit on the ground or on a work bench. Position the unit so the vanes and rotor are facing up.
2. Beneath the rotor, locate the three (3) screws securing the scraper to the housing. Remove them using a #T20 Torx bit or flat blade screwdriver (Fig. 11).
3. Remove the scraper and discard it appropriately.
4. The new scraper will snap into place. Once in place, attach it to the unit by reinstalling the three (3) screws.

Torque the screws to:

25-30 in•lb (2.8-3.3 N•m).

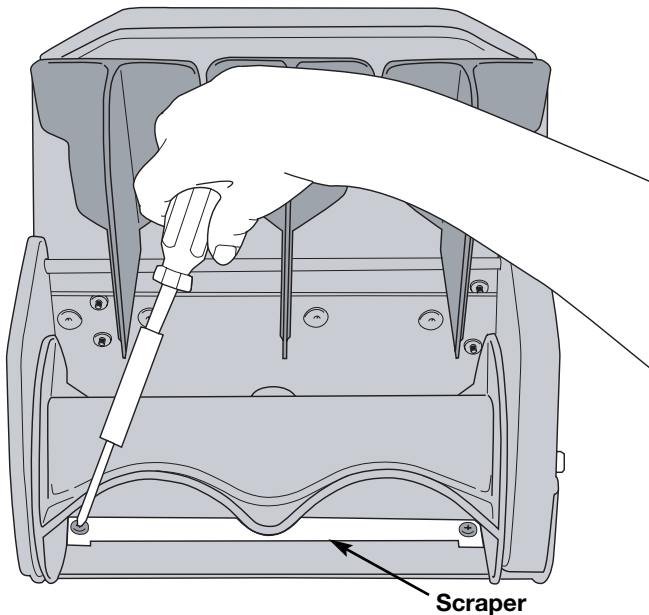


Fig. 11

STORAGE

- Allow the motor to cool before storing.
- Store the unit locked up to prevent unauthorized use or damage.
- Store the unit in a dry, well-ventilated area.
- Store the unit out of the reach of children.

CLEANING



WARNING: To avoid serious personal injury, always turn your unit off and unplug it before you clean or service it.

Use a small brush to clean off the outside of the unit. Do not use strong detergents. Household cleaners that contain aromatic oils such as pine and lemon, and solvents such as kerosene, can damage plastic housing or handle. Wipe off any moisture with a soft cloth.

TRANSPORTING

- Allow the motor to cool before transporting.
- Secure the unit while transporting.
- To move the unit, grasp it by the top and middle front handles (Fig. 12).
- If you are transporting the unit with the handles folded, be careful not to make contact and accidentally bend the discharge directional control (Fig. 6). If you bend or damage the control, you can no longer adjust the vanes.



Fig. 12

TROUBLESHOOTING

UNIT WILL NOT START

CAUSE

Unit is unplugged
 Starter button or bail were improperly used
 Overload protection switch has popped out

ACTION

Check cord to make sure it is plugged into an electrical outlet
 Press in starter button, hold it, and hold bail
 Push it in and follow the *Starting Instructions*

MOTOR IS ON, BUT ROTOR WILL NOT TURN

CAUSE

Belt is damaged

ACTION

Replace the belt, according to *Inspecting/Replacing the Driver Belt*

UNIT LEAVES A THIN LAYER OF SNOW ON PLOWED SURFACES

CAUSE

Scraper is worn

ACTION

Replace the scraper

If further assistance is required, contact your authorized service dealer

SPECIFICATIONS

MOTOR*

Motor typeA.C., 120 Volts Electric
 Operating RPM up to 14,000 rpm
 Ignition Switch Bail Lock Safety Button
 Amperage 8.5 amps
 Overload Protection 120V, 15 amp Breaker

DRIVE SHAFT ASSEMBLY AND SNOW THROWER UNIT*

Handles Steel Tube
 Approximate Unit Weight 20 lbs. (9 kg.)
 Snow Depth (maximum) 6 inches (0.152 meters)
 Cleared Path Width 12 inches (0.318 meters)

*All specifications are based on the latest product information available at the time of printing. We reserve the right to make changes at any time without notice.

MANUFACTURER'S LIMITED WARRANTY FOR:



The limited warranty set forth below is given by MTD LLC ("MTD") with respect to new merchandise purchased and used in the United States, its possessions and territories.

MTD warrants this product against defects in material and workmanship for a period of two (2) years commencing on the date of original purchase and will, at its option, repair or replace, free of charge, any part found to be defective in material or workmanship. This limited warranty shall only apply if this product has been operated and maintained in accordance with the Operator's Manual furnished with the product, and has not been subject to misuse, abuse, commercial use, neglect, accident, improper maintenance, alteration, vandalism, theft, fire, water or damage because of other peril or natural disaster. Damage resulting from the installation or use of any accessory or attachment not approved by MTD for use with the product(s) covered by this manual will void your warranty as to any resulting damage. This warranty is limited to ninety (90) days from the date of original retail purchase for any MTD product that is used for rental or commercial purposes, or any other income-producing purpose.

HOW TO OBTAIN SERVICE: Warranty service is available, WITH PROOF OF PURCHASE THROUGH YOUR LOCAL AUTHORIZED SERVICE DEALER. To locate the dealer in your area, please check for a listing in the Yellow Pages or contact the Customer Service Department of MTD LLC by calling **1-800-800-7310** or writing to P.O. Box 361131, Cleveland OH 44136-0019 or if in Canada call **1-800-668-1238**. No product returned directly to the factory will be accepted unless prior written permission has been extended by the Customer Service Department of MTD LLC.

This limited warranty does not provide coverage in the following cases:

- A. Tune-ups - Spark Plugs, Carburetor Adjustments, Filters.
- B. Wear items - Bump Knobs, Outer Spools, Cutting Line, Inner Reels, Starter Pulley, Starter Ropes, Drive Belts.
- C. MTD does not extend any warranty for products sold or exported outside of the United States of America, its possessions and territories, except those sold through MTD's authorized channels of export distribution.

MTD reserves the right to change or improve the design of any MTD Product without assuming any obligation to modify any product previously manufactured.

No implied warranty, including any implied warranty of merchantability or fitness for a particular purpose, applies after the applicable period of express written warranty above as to the parts as identified. No other express warranty or guaranty, whether written or oral, except as mentioned above, given by any person or entity, including a dealer or retailer, with respect to any product shall bind MTD. During the period of the Warranty, the exclusive remedy is repair or replacement of the product as set forth above. (Some states do not allow limitations on how long an implied warranty lasts, so the above limitation may not apply to you.)

The provisions as set forth in this Warranty provide the sole and exclusive remedy arising from the sales. MTD shall not be liable for incidental or consequential loss or damages including, without limitation, expenses incurred for substitute or replacement lawn care services, for transportation or for related expenses, or for rental expenses to temporarily replace a warranted product. (Some states do not allow limitations on how long an implied warranty lasts, so the above limitation may not apply to you.)

In no event shall recovery of any kind be greater than the amount of the purchase price of the product sold. Alteration of the safety features of the product shall void this Warranty. You assume the risk and liability for loss, damage, or injury to you and your property and/or to others and their property arising out of the use or misuse or inability to use the product.

This limited warranty shall not extend to anyone other than the original purchaser, original lessee or the person for whom it was purchased as a gift.

How State Law Relates to this Warranty: This warranty gives you specific legal rights, and you may also have other rights which vary from state to state.

To locate your nearest service dealer dial **1-800-800-7310** in the United States or **1-800-668-1238** in Canada.

MTD LLC
P.O. Box 361131
Cleveland, OH 44136-0019

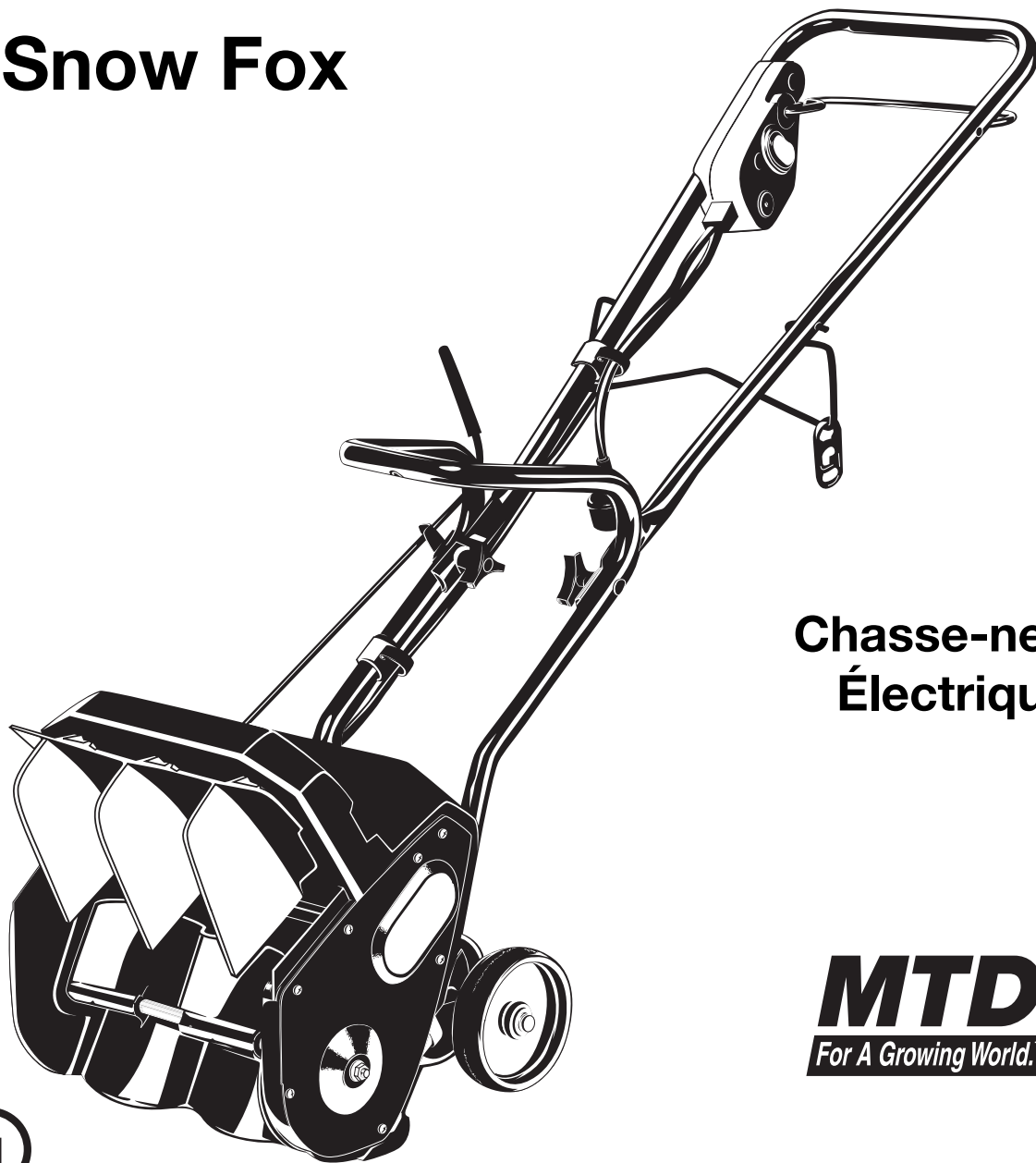
YARD MACHINES

by **MTD**

Manuel de l'utilisateur

Snow Fox

Français



**Chasse-neige
Électrique**



IMPORTANT : lisez soigneusement les règles et consignes de sécurité avant de faire fonctionner cet équipement.

TOUS NOS REMERCIEMENTS

Nous vous remercions d'avoir acheté ce produit de qualité. Cet outil mécanique de plein air moderne est conçu pour vous rendre service pendant longtemps. Il vous sauvera beaucoup de temps comme vous pourrez vous en rendre compte. Ce manuel de l'utilisateur comporte un mode d'emploi facile à comprendre. Prenez soin de lire le manuel au complet et suivez toutes ses instructions à la lettre afin de conserver votre nouvel outil mécanique de plein air en excellent état de fonctionnement.

RÉFÉRENCES, ILLUSTRATIONS ET SPÉCIFICATIONS RELATIVES AU PRODUIT

Toutes les informations, illustrations et spécifications contenues dans ce manuel tiennent compte des dernières informations techniques disponibles au moment de mettre sous presse. Nous nous réservons le droit d'y apporter des modifications à tout moment, sans préavis.

Copyright© 2006 MTD SOUTHWEST INC., Tous droits réservés.

INFORMATIONS D'ENTRETIEN

Tout entretien effectué sur cet appareil pendant et après la période de garantie doit être fait par un concessionnaire agréé uniquement. Obtenez la liste des concessionnaires agréés appelez le **1-800-800-7310**, ou le **1-800-668-1238** au Canada. Pour de plus amples informations à propos de votre appareil, visitez www.yardmachines.com.

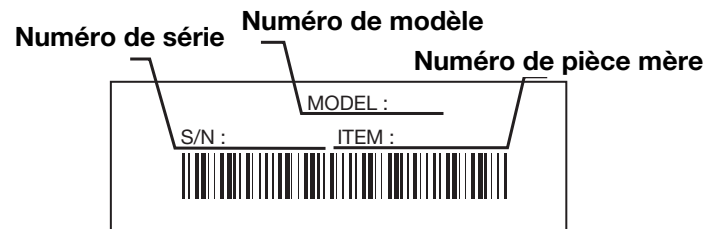
NE RETOURNEZ PAS L'APPAREIL AU DÉTAILLANT CHEZ QUI VOUS L'AVEZ ACHETÉ. TOUT SERVICE SOUS GARANTIE NÉCESSITE UNE PREUVE D'ACHAT.

Avant d'assembler votre nouvel équipement, repérez la plaque signalétique de l'appareil et copiez ses informations dans l'espace ci-dessous. Ces informations sont essentielles si vous désirez obtenir de l'aide auprès de notre service technique ou d'un distributeur agréé. Un exemple de plaque signalétique est présenté ci-dessous.

TABLE DES MATIÈRES

Service technique	F2
Consignes de sécurité	F3
Familiarisez-vous avec votre appareil	F7
Instructions de montage	F8
Mode d'emploi	F10
Entretien et réparations	F11
Nettoyage et entreposage	F12
Tableau de dépannage	F13
Caractéristiques	F13
Liste des pièces	S14
Garantie	Intérieure de la Couverture Arrière

Si vous éprouvez des difficultés à assembler ce produit ou si vous avez des questions concernant les commandes, le fonctionnement ou l'entretien de cet appareil, veuillez communiquer avec notre service technique.



Copiez le numéro de modèle / pièce mère ici : _____

Copiez le numéro de série ici : _____

Prenez soin de lire et de bien comprendre ce manuel avant de démarrer ou de faire fonctionner cet équipement.

CE PRODUIT EST COUVERT PAR UN OU PLUSIEURS BREVETS AMÉRICAINS, ET D'AUTRES SONT EN INSTANCE.

CONSIGNES DE SÉCURITÉ

Les symboles de sécurité attirent votre attention sur des dangers potentiels. Ces symboles et leurs détails explicatifs méritent que vous les lisiez et compreniez bien. Les avertissements de sécurité ne peuvent éviter les dangers de par eux-mêmes. Les consignes ou mises en garde qu'ils donnent ne remplacent pas des mesures préventives appropriées contre les accidents.

SYMBOLE SIGNIFICATION



ALERTE DE SÉCURITÉ: Indique un danger, un avertissement ou une mise en garde. Soyez vigilant afin d'éviter toute blessure grave. Ce symbole peut être combiné à d'autres symboles ou pictogrammes.

REMARQUE: donne des informations ou des instructions vitales pour le fonctionnement ou l'entretien de l'équipement.

Lisez le(s) manuel(s) de l'utilisateur et suivez tous les avertissements et consignes de sécurité. Vous pourriez à défaut entraîner des blessures graves pour vous ou d'autres personnes.

SI VOUS AVEZ DES QUESTIONS, APPELEZ LE 1-800-800-7310 AUX ÉTATS-UNIS, OU LE 1-800-668-1238 AU CANADA

SYMBOLE SIGNIFICATION



DANGER: le non-respect d'un avertissement peut causer dommages matériels ou blessures graves pour tous. Respectez les consignes de sécurité afin de réduire les risques d'incendie, d'électrocution et de blessures.



AVERTISSEMENT: le non-respect d'un avertissement peut causer dommages matériels ou blessures graves pour tous. Respectez les consignes de sécurité afin de réduire les risques d'incendie, d'électrocution et de blessures.



MISE EN GARDE: le non-respect d'un avertissement peut causer dommages matériels ou blessures graves pour tous. Respectez toujours les consignes de sécurité afin de réduire les risques d'incendie, d'électrocution et de blessures.

• IMPORTANTES CONSIGNES DE SÉCURITÉ •

LIRE TOUTES LES INSTRUCTIONS



AVERTISSEMENT: assurez-vous soigneusement les consignes de sécurité lorsque vous utilisez cet appareil. Dans l'intérêt de votre sécurité et de celle des personnes à proximité, prenez soin de lire ces instructions avant de faire fonctionner la machine. Veuillez garder les instructions en lieu sûr pour un usage ultérieur.


Avant L'utilisation

- Veuillez lire le manuel de l'utilisateur attentivement. Familiarisez-vous avec les commandes et l'utilisation correcte de l'appareil. Sachez comment arrêter l'appareil et désactiver les commandes rapidement.
- N'utilisez pas l'appareil si vous êtes fatigué, malade ou sous l'effet de l'alcool, de drogues ou de médicaments.
- Les enfants et adolescents de moins de 15 ans ne doivent pas utiliser l'appareil exceptés les adolescents assistés d'un adulte.
- Inspectez l'appareil avant utilisation. Remplacez les pièces endommagées. Assurez-vous que les fixations sont solidement en place. Remplacez les pièces du souffleur à neige qui sont fendillées, ébréchées ou endommagées.
- Faites preuve de prudence pour éviter de glisser ou tomber.
- Inspectez soigneusement la zone où vous comptez

utiliser la souffeuse à neige. Retirez tous les paillassons, traîneaux, planches, fils, débris et autres corps étrangers qui pourraient être projetés par la souffeuse à neige.

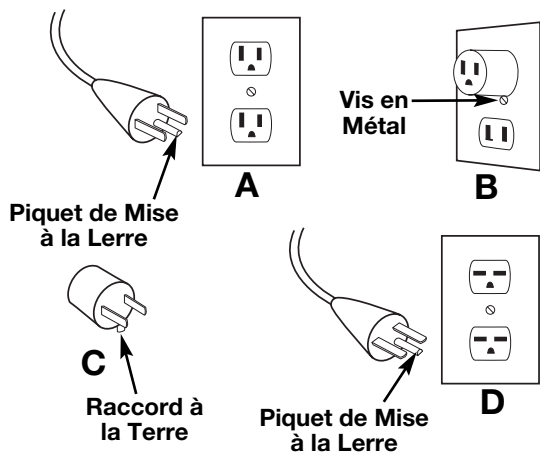
- Assurez-vous que le rotor peut tourner librement avant de utiliser cet appareil.
- Habillez-vous correctement. Portez des vêtements d'hiver appropriés pour le travail à l'extérieur. Portez des pantalons épais et longs, des bottes, des gants et une chemise à manches longues. Ne marchez pas pieds nus et évitez vêtements lâches, bijoux, pantalons courts et sandales. Relevez les cheveux au-dessus des épaules.
- Portez des chaussures étanches qui assurent une bonne prise sur les surfaces glissantes. Portez des bottes en caoutchouc.
- N'effectuez jamais de réglages pendant que le moteur est en marche.
- Laissez le moteur et la machine s'adapter à la température extérieure avant de déblayer la neige.
- Portez toujours des lunettes de sécurité en tout temps durant l'utilisation de l'appareil, ou lorsque vous effectuez des opérations de réglage ou de réparation, afin de protéger les yeux des corps étrangers pouvant être projetés par la machine.

AVERTISSEMENTS DE SÉCURITÉ ÉLECTRIQUE




AVERTISSEMENT: respectez toujours les consignes de sécurité durant l'utilisation d'appareils de électriques afin de réduire les risques d'incendie, d'électrocution et de blessures. Prenez soin de bien lire et comprendre tout le manuel de l'utilisateur avant d'utiliser la souffeuse/aspirateur. Faites particulièrement attention au mode d'emploi et aux avertissements de sécurité.

- Ce chasse-neige devrait être raccordé à la terre lors de son utilisation pour éviter l'électrocution de l'opérateur. Le chasse-neige est équipé d'un cordon à 3 conducteurs agréé et d'une fiche de type terre à trois ergots pour être branchée dans la prise terre approprié. Le conducteur vert ou vert/jaune dans le cordon est le fil de terre. Ne branchez jamais ce fil à un terminal sous tension. Si votre machine est utilisée avec du courant de moins de 150 volts, il possède une fiche qui ressemble à A dans la figure ci-dessous. Si elle est prévue pour être utilisée avec du courant 150 à 250, elle possède une fiche qui ressemble à D dans la figure.




- Un adaptateur (montré dans B et C sur la figure ci-dessus) est disponible pour connecter les fiches de terre à 3 ergots à des prises à 2 ergots. Le raccord à la terre de l'adaptateur doit être branché à une prise de terre permanente comme un boîtier de sortie convenablement mis à la terre. Aucun adaptateur n'est disponible pour la fiche montrée dans D.
- N'utilisez que des rallonges à 3 fils qui ont des fiches de type terre à 3 ergots et des prises à 3 pôles qui acceptent la fiche du chasse-neige. Remplacez ou réparez les cordons endommagés.
- N'utilisez pas de rallonges ayant souffert d'abus. Netirez jamais la souffeuse à neige par son cordon et ne la débranchez pas de la prise en tirant sur le cordon.



AVERTISSEMENT : Pour réduire le risque de choc électrique, utilisez cordons de type SW-A, SOW-A, STW-A, STOW-A, SJW-A, SJOW-A, SJTW-W ou SJTOW.

CALIBRE MINIMUM DES RALLONGES ALIMENTANT DES APPAREILS 120V, A COURANT DE CHARGE DE 0-12 AMPS				
Long. de cordon (pieds)	25	50	100	150
Calibre du cordon (AWG)	16	16	14	14

- **JEUX DE CORDONS:** Veuillez vous adresser à votre concessionnaire pour voir quelle rallonge utiliser avec ce produit. Vérifiez que votre jeu de cordons est en bon état de fonctionnement. Si vous utilisez un jeu de cordons, assurez vous de bien utiliser un cordon de calibre suffisant pour laisser passer le courant de charge de votre appareil. Un jeu de cordons à section trop faible risque de provoquer des chutes de tension de ligne, qui entraînent une perte de puissance et une surchauffe. Le tableau ci-dessous donne les calibres corrects à utiliser, en fonction de la longueur du cordon et de la valeur de l'intensité nominale. En cas de doute, utilisez la section de câble immédiatement supérieure. Un numéro de calibre faible correspond à une forte section de câble. Référez vous à la *Mode D'emploi* pour réduire le risque de débranchement du cordon de l'appareil pendant le fonctionnement, du jeu de cordons.
- Le(s) circuit(s) électrique(s) ou la(les) prise(s) d'alimentation de cet outil de jardinage doit(doivent) comporter une protection de type GFCI (qui coupe le circuit en cas de défaut de terre). Il existe des prises qui comportent une protection GFCI, et que l'on peut utiliser dans ce cas de figure.
- Votre appareil est pourvu d'une plaquette du constructeur, qui indique le type de tension à utiliser. N'alimentez jamais cet appareil avec une tension alternative différente de celle affichée.



AVERTISSEMENT : Utilisez avec une rallonge prévue pour être utilisée à l'extérieur pour éviter toute électrocution.

- Procédez à une inspection périodique de vos rallonges électriques et de la fiche de raccord de votre appareil. Examinez plus particulièrement l'isolation qui ne doit pas présenter de traces de détérioration, de coupures ou de mise à nu. Inspectez également les raccords qui doivent être en bon état. Si les cordons paraissent endommagés, remplacez les ou réparez les.
- Durant un nettoyage, une inspection ou une réparation, assurez-vous que le rotor et les pièces mobiles sont arrêtés. Débranchez la rallonge pour empêcher l'appareil de démarrer accidentellement.
- Protégez la rallonge de la chaleur, de l'huile et des bords tranchants pour éviter de l'endommager.
- Si la rallonge est endommagée de quelque manière que ce soit alors qu'elle est branchée, déconnectez-la de la prise.
- Évitez que la tête d'entraînement de la souffeuse à neige ne se déconnecte de la rallonge en utilisant un connecteur de retenue. Voir *Retenue de Cordon Prolongateur*.
- Évitez tout démarrage accidentel. Ne transportez pas l'appareil branché avec le doigt sur l'interrupteur. Veillez à ce que l'interrupteur soit en position off lorsque vous branchez la machine.
- Débranchez toujours l'appareil et laissez-le se refroidir avant de le ranger. Rangez-le à l'intérieur.
- Débranchez toujours l'appareil lorsqu'il n'est pas utilisé et avant de faire tout entretien ou réparation.

PENDANT L'UTILISATION DE L'APPAREIL

- Marchez, ne courez jamais.
- Avant de démarrer l'appareil, assurez-vous que le Snow Buster ne touche aucun objet.
- Éloignez-vous toujours de l'ouverture de la décharge. Gardez le visage, les mains et les pieds éloignés des pièces mobiles ou rotatives dissimulées.
- Soyez attentif lorsque vous utilisez la souffleuse à neige, et faites attention aux trous sur le terrain ainsi qu'aux dangers dissimulés ou pouvant provenir de la circulation.
- N'utilisez pas l'appareil sur des surfaces recouvertes de gravier ou de pierres concassées. Faites extrêmement attention lorsque vous traversez des allées, chemins ou routes de gravier ou pierres concassées.
- Sur les pentes, déblayez la neige en vous déplaçant vers le haut et vers le bas. Ne déblayez jamais les pentes en diagonale. Faites attention lorsque vous changez de direction. Ne déblayez jamais la neige sur des pentes raides.
- N'essayez jamais d'utiliser la souffleuse à neige sur un toit ou des surfaces raides, inclinées ou glissantes.
- Ne faites jamais fonctionner la souffleuse à neige sans écrans, plaques ou autres dispositifs de protection en place.
- Ne faites jamais fonctionner la souffleuse à neige à proximité d'enceintes en verre, d'automobiles, de camions, de murettes d'encadrement de soupirail, de lieux de débarquement, etc. sans avoir ajusté au préalable l'angle de la décharge de neige. Tenez les enfants et les animaux à l'écart.
- Ne forcez pas ni ne surchargez la souffleuse à neige. Elle accomplira un travail de meilleure qualité, en présentant moins de dangers, si vous respectez la cadence nominale pour laquelle elle a été conçue.
- Ne faites jamais fonctionner la machine à vitesse rapide sur des surfaces glissantes. Regardez derrière vous et faites attention lorsque vous faites marche arrière.
- Ne déblayez jamais en direction des gens et écartez-les de votre chemin pendant l'utilisation de l'appareil.
- Portez des lunettes de sécurité conformes aux normes ANSI Z87.1 ainsi que des protège-oreilles durant l'utilisation de l'appareil. Portez un masque facial ou antipoussières si vous travaillez dans un lieu poussiéreux.
- N'utilisez l'appareil qu'en plein jour ou avec un bon éclairage artificiel.
- Évitez tout démarrage accidentel. Mettez-vous en position de démarrage chaque fois que vous tirez sur la corde de démarrage. L'opérateur et l'appareil doivent tous deux être en position stable à ce moment-là. Voir les *Instructions de démarrage et d'arrêt*.
- Servez-vous des outils appropriés. N'utilisez cet outil que pour son usage prévu.
- Ne vous étirez pas. Tenez-vous toujours bien sur vos pieds en position d'équilibre.
- Tenez toujours l'appareil des deux mains lorsque vous le faites marcher. Agrippez fermement les poignées avant et arrière.
- Gardez les mains, le visage et les pieds éloignés des pièces mobiles. Ne touchez pas l'hélice en rotation et n'essayez pas de l'arrêter.
- Si le rotor ne tourne pas librement parce qu'il est pris par la glace, dégelez soigneusement l'appareil avant d'essayer de le faire fonctionner avec le moteur.
- Veillez à maintenir le rotor exempt de débris.
- N'essayez jamais de nettoyer le rotor alors que le moteur est en marche. Éteignez d'abord le moteur.
- Tenez les vêtements et les parties du corps à l'écart du rotor.
- Ne faites pas tourner le moteur à un régime excessif. Ne faites pas tourner le moteur à haut régime si vous ne déblayez pas la neige.
- Arrêtez toujours le moteur si le travail est retardé ou si vous vous déplacez d'un lieu à l'autre.
- Coupez le moteur du rotor lorsque la souffleuse à neige est transportée ou non utilisée.
- Si vous heurtez un corps étranger, éteignez la tête d'entraînement et vérifiez que la souffleuse à neige n'est pas endommagée. Débranchez l'appareil. Réparez tout dommage avant de redémarrer et utiliser l'appareil.
- Si l'appareil se met à vibrer de manière anormale, arrêtez la tête d'entraînement et procédez immédiatement à une vérification. Les vibrations indiquent généralement la présence d'un problème.
- Arrêtez le moteur et débranchez l'appareil chaque fois que vous n'êtes plus en position de fonctionnement, avant de déboucher le rotor ou les aubes de décharge, et lorsque vous procédez à des réparations, réglages ou inspections.
- Ne soufflez jamais la neige en direction d'une route publique ou près de circulation routière.
- Laissez la souffleuse à neige tourner pendant quelques minutes après avoir déblayé la neige pour éviter que les pièces mobiles ne gèlent pas.
- N'utilisez que des pièces de équipement original rechange et accessoires d'origine pour cet appareil. Elles sont disponibles auprès de votre concessionnaire agréé. L'utilisation de pièces ou accessoires autres que ceux de équipement original peut causer des blessures graves, endommager l'appareil et annuler sa garantie.
- N'utilisez pas l'appareil lorsque vous le tenez à la main. Ne ramassez pas l'appareil lorsqu'il fonctionne. La machine est conçue pour se déplacer sur le sol.

AUTRES AVERTISSEMENTS DE SÉCURITÉ

- Laissez le moteur se refroidir avant de l'entreposer ou de le transporter. Attachez bien l'appareil pendant le transport.
- Rangez l'appareil dans un endroit verrouillé et sec, ou élevé et sec, hors de portée des enfants, pour éviter une utilisation indésirable ou un accident.
- Si les étiquettes sur la machine deviennent illisibles ou commencent à se décoller, veuillez contacter votre concessionnaire agréé.
- Ne trempez et n'arrosez jamais l'appareil avec de l'eau ou tout autre liquide. Gardez les poignées sèches, propres et exemptes de débris. Nettoyez après chaque usage. Voir la section *Nettoyage et Entreposage*.
- Conservez ces instructions. Consultez-les souvent et servez-vous en pour instruire d'autres usagers. Si vous prêtez l'appareil à quelqu'un, prêtez-lui également ces instructions.

CONSERVEZ CES INSTRUCTIONS

CONSIGNES DE SÉCURITÉ

Ce manuel de l'utilisateur décrit les symboles et pictogrammes de sécurité et internationaux pouvant apparaître sur ce produit. Consultez le manuel de l'utilisateur pour les informations concernant la sécurité, le montage, le fonctionnement, l'entretien et les réparations.

SYMBOLE

SIGNIFICATION



- **SYMBOLE ALERTE DE SÉCURITÉ**

Indique un danger, un avertissement ou une mise en garde. Ce symbole peut être combiné à d'autres symboles ou pictogrammes.



- **AVERTISSEMENT - LISEZ LE MANUEL DE L'UTILISATEUR**

Lisez le manuel de l'utilisateur et suivez tous les avertissements et consignes de sécurité. Vous pourriez à défaut entraîner des blessures graves pour vous ou d'autres personnes.



- **ÉLOIGNEZ LES SPECTATEURS**

AVERTISSEMENT :

éloignez tout spectateur, les enfants et les animaux domestiques en particulier, d'au moins 15 m (50 pi) de la zone de coupe.

SYMBOLE

SIGNIFICATION



- **LES OBJETS PROJETÉS PEUVENT PROVOQUER DES BLESSURES GRAVES**

AVERTISSEMENT : les petits objets peuvent être projetés à grande vitesse, ce qui peut causer des blessures.



- **LE ROTOR EN ROTATION PEUT PROVOQUER DES BLESSURES GRAVES**

AVERTISSEMENT :

gardez les mains, les pieds et les vêtements éloignés de la décharge de la souffleuse. Ne vous tenez pas devant l'appareil et ne nettoyez pas le rotor à la main.

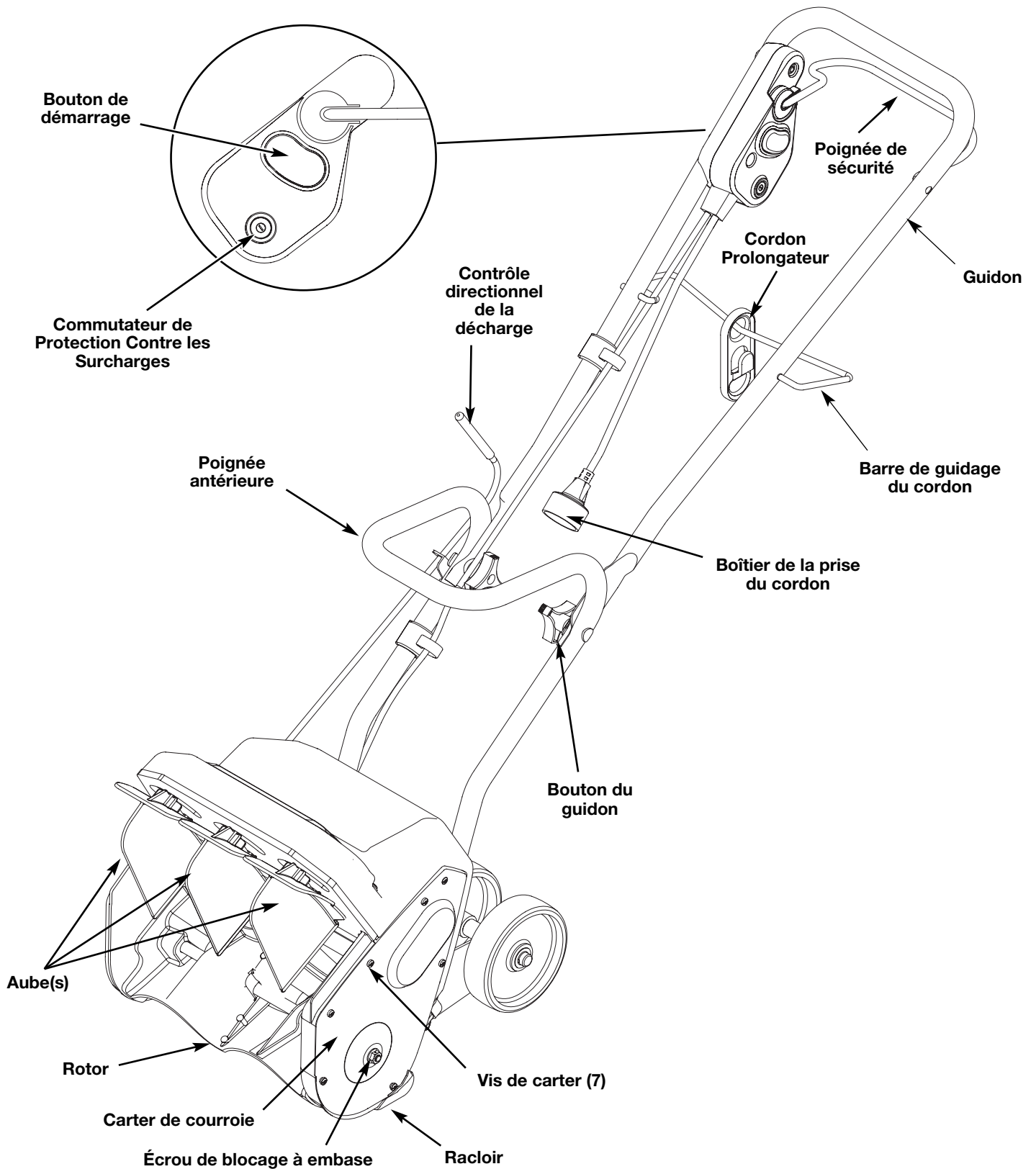


- **GARDER MAINS ET PIEDS À DISTANCE**

APPLICATIONS

Utilisation en tant que souffleuse à neige :

- Déblaie la neige des chemins, passages, trottoirs, voies, etc.



POSITIONNEMENT DES POIGNÉES

Avant d'opérer la machine, vous devez installer le guidon.

1. Lorsque vous déballez la machine, détachez et sortez les deux boutons et rondelles de l'intérieur des barres inférieures (Fig. 1).
2. Tenez le guidon dans la position montrée dans la Figure 1 et glissez-le dans les barres inférieures en vous assurant que les extrémités du guidon sont à l'intérieur des barres inférieures.
3. Alignez les trous dans le guidon avec les trous dans les barres inférieures et insérez les boulons à travers ces trous.
4. Assurez-vous que l'oreille est bien assemblée dans l'ensemble interrupteur (Fig. 1).

REMARQUE : Veillez à ne pas pincer le câble de l'interrupteur lorsque vous positionnez le guidon.

5. Placez les rondelles sur les boulons, puis vissez les deux boutons dessus.
6. Serrez les boutons pour verrouiller le guidon en place.

REMARQUE : Ne pas trop serrer les boutons.

7. Attachez le câble de l'interrupteur à la retenue du câble sur la barre inférieure comme montré dans le schéma en cartouche dans la Figure 1.
8. Retirez la bande une fois que la poignée supérieure est assemblée à la poignée inférieure (Fig. 1).

RETENUE DE CORDON PROLONGATEUR

Il y a un arrêt pour la rallonge pour empêcher qu'elle se ne débranche pendant l'utilisation. La retenue pend de la barre de guidage du cordon.

REMARQUE: ne mettez pas la rallonge dans la prise d'alimentation avant que le cordon soit raccordé à la retenue du cordon et raccordé sur la machine.

Pour utiliser la retenue du cordon:

1. Pliez la rallonge en deux et formez une boucle serrée près de la prise.
2. Poussez la boucle dans le trou inférieur dans l'arrêt (Fig. 2).
3. Faites glisser la boucle par-dessus l'étrier et tirez vers le bas jusqu'à ce que le cordon soit bien rentré (Fig. 2)

REMARQUE: Utilisez une rallonge agréée UL. Nous recommandons un câble de 100 pieds (31 m), calibre 14. Un câble de 50 pieds (15 m), calibre 16 est acceptable.

La retenue du cordon et la barre de guidage retiennent la rallonge et la maintiennent toujours en dehors du chemin, en toute sécurité du côté de l'opérateur.

La rallonge et la retenue se glissent dans la barre de guidage lorsque l'appareil se déplace vers la gauche et la droite. Raccordez votre rallonge sur l'appareil comme indiqué dans la Figure 3.

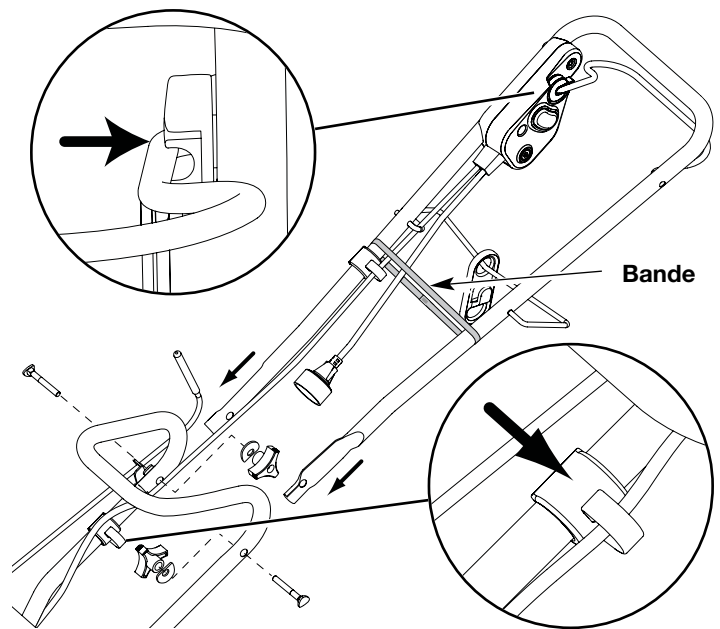


Fig. 1

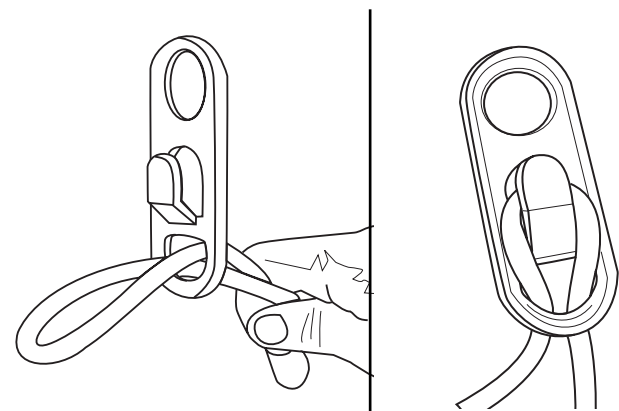


Fig. 2

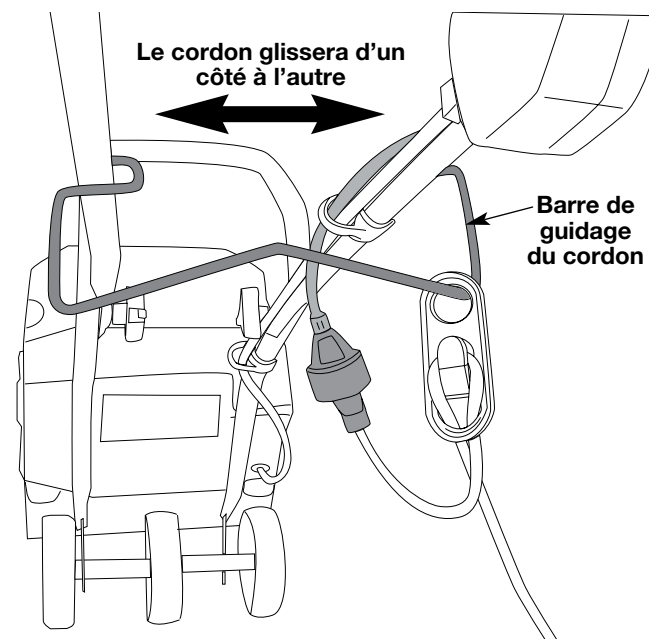


Fig. 3

INSTRUCTIONS DE DÉMARRAGE



AVERTISSEMENT : éviter le démarrage accidentel. Se tenir en position de démarrage pour lancer le moteur. Lors du démarrage, l'opérateur et l'outil doivent être en position d'équilibre afin d'éviter le risque de blessures graves.

Vous devez suivre ces étapes dans l'ordre pour démarrer la machine.

1. Assurez-vous que vous avez raccordé la machine.
2. Appuyez sur le bouton de démarrage rouge et maintenez-le enfoncé (Fig. 4)
3. Tandis que vous tenez le bouton de démarrage, levez et tenez la poignée de sécurité.

REMARQUE: La machine NE démarrera PAS si vous ne poussez pas le bouton de démarrage enfoncé jusqu'à ce que vous levez la poignée de sécurité.

4. Tenez la poignée de sécurité et utilisez la machine (Fig. 5).

INSTRUCTIONS D'ARRÊT

1. Relâchez la prise de votre main sur la poignée de sécurité.
2. Le bouton du démarreur sortira et la machine s'arrêtera.

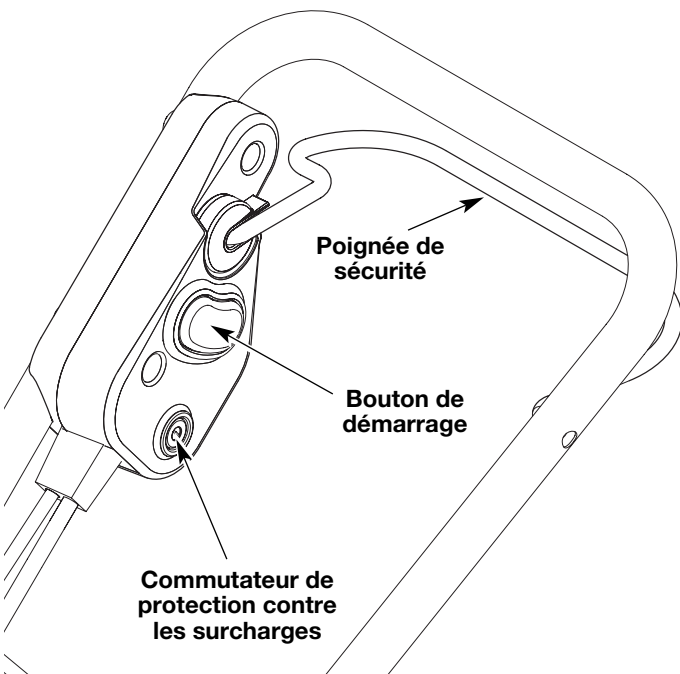


Fig. 4

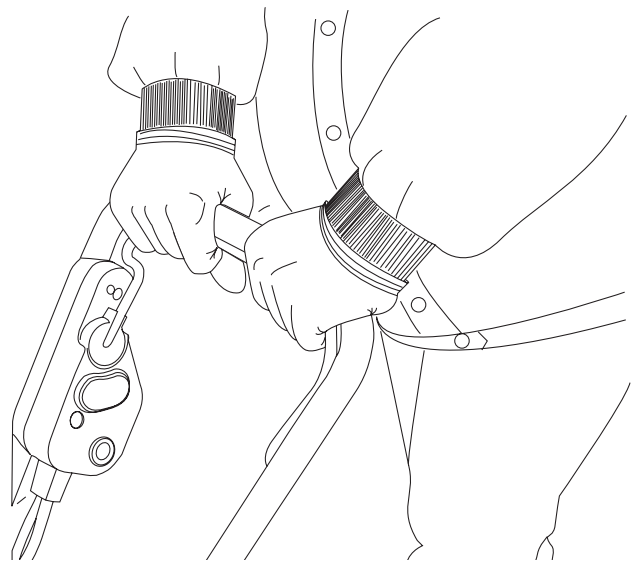


Fig. 5

COMMUTATEUR DE PROTECTION CONTRE LES SURCHARGES

Cette machine est équipée d'un disjoncteur de surcharge pour protéger le circuit (auquel la machine est branchée) contre les courts-circuits.

Si le commutateur se déclenche.

1. Relâchez la poignée de sécurité et laissez l'appareil refroidir pendant une minute.
2. Appuyez sur le commutateur de surcharge pour le réarmer et reprenez le travail (Fig. 7).

Si le commutateur se déclenche de nouveau juste après la première fois.

1. Laissez l'appareil refroidir pendant 15 à 30 minutes.
2. Après cela, appuyez sur le commutateur de surcharge pour le réarmer et reprenez le travail.

Si le commutateur ne reste pas en place et continue de sauter, faites réparer l'appareil par un concessionnaire agréé.

UTILISATION L'APPAREIL

1. Démarrez l'appareil selon les *Instructions de démarrage*. La profondeur et le poids de la neige déterminent la vitesse de marche avant.
2. Poussez l'appareil de manière à ce que l'unité roule sur le raclor.
3. Assurez-vous que le cordon d'alimentation est bien attaché à la retenue du cordon et repose sur la barre de guidage. Il devrait traîner derrière l'opérateur.

Réglage de la direction de soufflage

La neige peut être soufflée vers la gauche, le centre ou la droite.

Pour changer la direction, suivez les instructions ci-dessous:

1. Relâchez la poignée de sécurité pour arrêter le rotor.
2. Saisissez fermement la poignée du contrôle directionnel de décharge et tirez vers le haut. Ceci dégage la tige, sous tension de ressort, de la fente de direction de décharge actuelle, et libère son mouvement (Fig. 6).
3. Tournez le contrôle directionnel de décharge vers la gauche, le centre ou la droite, selon la direction vers laquelle vous voulez projeter la neige (Fig. 7).

REMARQUE : à partir de la position centrale, le contrôle directionnel de décharge tourne d'environ 45 degrés dans chaque direction (gauche ou droite). Ne forcez pas.

4. Dégagez le contrôle directionnel de décharge, de la fente de direction de décharge, afin d'établir le sens de projection de la neige voulu.

REMARQUE : assurez-vous que le contrôle directionnel de décharge est bien positionné dans la fente de direction et qu'il ne peut bouger.

5. Redémarrez la machine selon les *Instructions de démarrage*.

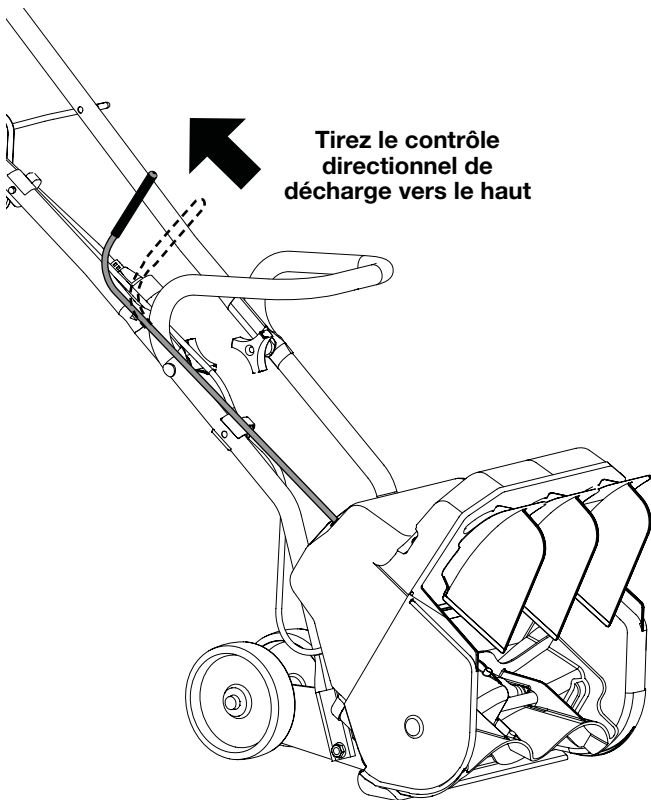


Fig. 6

Vue du dessus

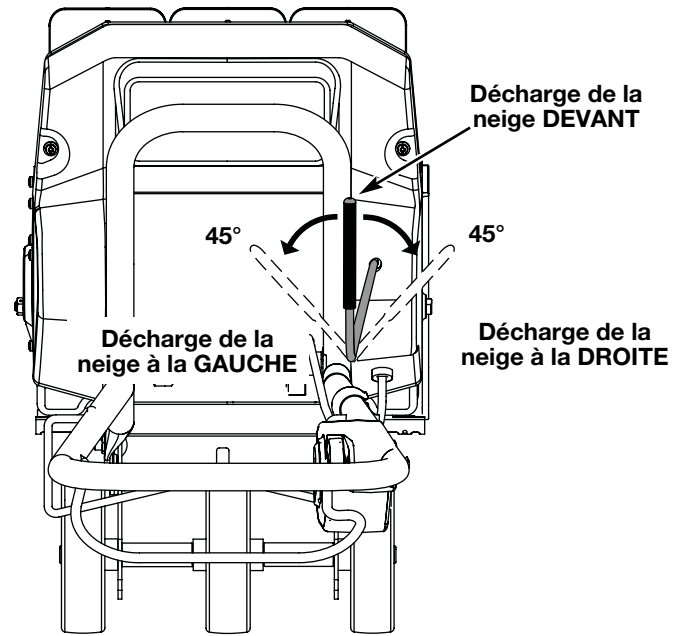


Fig. 7

Conseils pour bien utiliser l'appareil

- Pour obtenir un soufflage efficace de la neige, les aube(s) doivent être parallèles, la neige doit être dirigée dans le même sens que le vent.
- Chaque passage doit légèrement déborder sur le précédent. (Fig. 8).



Fig. 8

ENTRETIEN D'APPAREILS

L'entretien de ces appareils exige soins minutieux et compétence technique, et doit être effectué par un personnel qualifié uniquement. Les pièces de rechange doivent être identiques aux pièces remplacées. Confiez toute réparation à un concessionnaire agréé.

INSPECTION/REPLACEMENT DE LA COURROIE D'ENTRAÎNEMENT

Pour toute réparation du Snow Buster, utilisez seulement des pièces de rechange fabricant d'origine. Inspectez la courroie d'entraînement une fois par an ou toutes les 50 heures d'utilisation, suivant la première échéance, au cas où elle serait usée. Si elle doit être remplacée, suivez les instructions ci-dessous.



AVERTISSEMENT : pour éviter des blessures graves, éteignez toujours l'appareil et débranchez l'appareil avant tout nettoyage ou entretien.

1. Enlevez l'écrou de blocage à embase du carter de courroie à l'aide d'une clé ou d'un tourne-écrou (Fig. 9).
2. Retirez les sept (7) vis, qui retiennent le couvercle du boîtier de la courroie, à l'aide d'un tournevis à lame plate ou d'une mèche no. T20 Torx (Fig. 9).



AVERTISSEMENT : Pour réduire le risque d'électrocution, remettez le couvercle avant de raccorder le produit à une source d'alimentation.

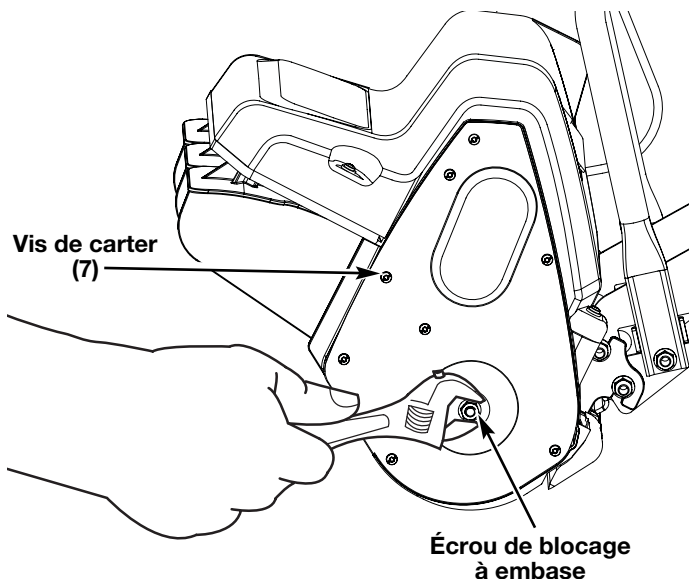


Fig. 9

3. Tirez le tendeur de courroie (bras de renvoi) pour l'écarter de la poulie motrice. Retirez la courroie endommagée ou cassée des poulies conduite et motrice qui se trouve à l'intérieur du boîtier. Mettez-la au rebut de manière responsable (Fig. 10).
4. Mettez en place la nouvelle courroie autour de la poulie motrice et de la poulie conduite (Fig. 10). Tirez le tendeur de courroie (bras de renvoi) en arrière pour enrouler la courroie autour de la poulie motrice.

REMARQUE : assurez-vous que la rondelle est toujours en place sur l'arbre de poulie conduite avant de replacer le couvercle du boîtier de la courroie.

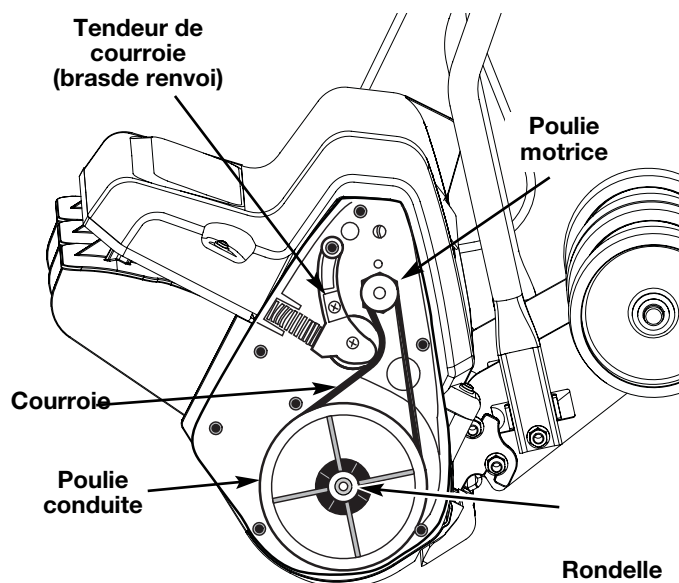


Fig. 10

5. Remettez le couvercle à l'aide des sept vis. Pour faciliter l'installation, placez la partie étroite du couvercle dans le renforcement du boîtier. Posez les deux vis supérieures, puis enfoncez le reste du couvercle dans le renforcement et par dessus l'arbre du rotor (Fig. 10a). Serrez les sept vis avec un couple de serrage de **2,0 à 2,5 N•m (18 à 23 po•lb)**.
6. Remettez l'écrou de blocage à embase. Serrez l'écrou avec un couple de serrage de **9,0 à 11,2 N•m (80 à 100 po•lb)**.

REMARQUE : si l'écrou de blocage à embase est endommagé, ne le remplacez pas par un écrou standard. Utilisez uniquement une pièce de

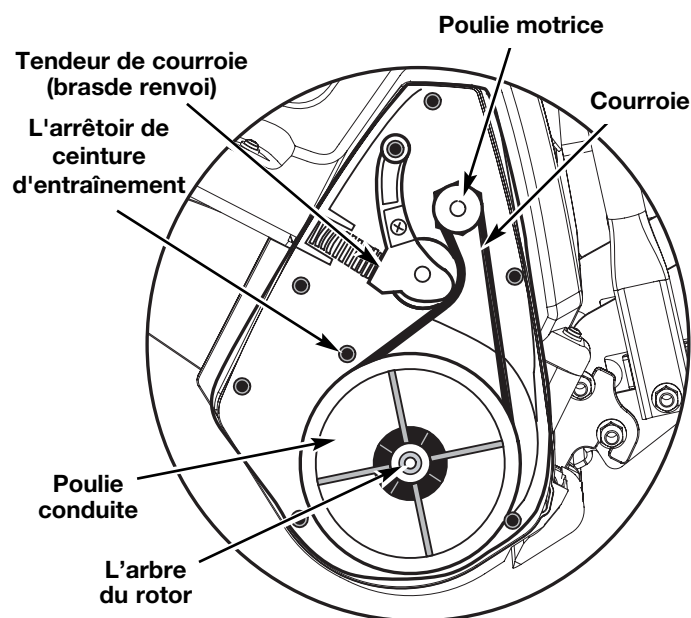


Fig. 10a



AVERTISSEMENT: En remontant la ceinture de nouveau dans le logement principal, soyez sûr que la ceinture est à la droite de l'arrêt de ceinture d'entraînement. Si la ceinture est placée vers la gauche, les dommages sérieux peuvent se produire.

REPLACEMENT DU RACLOIR



AVERTISSEMENT : pour éviter des blessures graves, éteignez toujours l'appareil et débranchez l'appareil avant tout nettoyage ou entretien.

Utilisez seulement des pièces de rechange fabricant d'origine.

1. Place l'appareil sur le sol ou un établi. Positionnez l'appareil de façon à ce que les aubes et le rotor soient tournés vers le haut.
2. Sous le rotor, repérez puis retirez les trois (3) vis, qui retiennent le racloir au boîtier, à l'aide d'un tournevis à lame plate ou d'une mèche no. T20 Torx (Fig. 11).
3. Retirez le racloir et mettez-le au rebut de manière responsable.
4. Fixez le racloir neuf à l'appareil à l'aide des trois vis. Serrez les vis avec un couple de serrage de: **2,8 à 3,3 N•m (25 à 30 po•lb).**

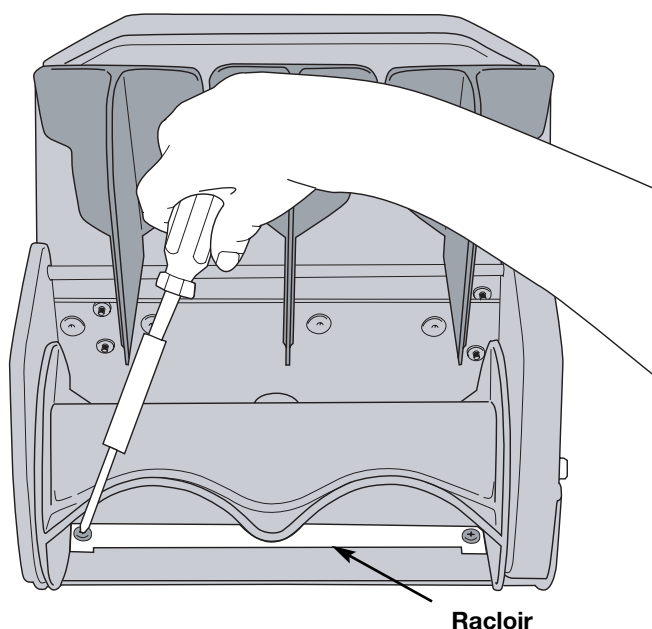


Fig. 11

ENTREPOSAGE

- Laissez le moteur se refroidir avant de l'entreposer.
- Rangez l'appareil dans un lieu verrouillé pour éviter toute utilisation ou accident indésirable.
- Rangez l'appareil dans un lieu sec et bien aéré.
- Rangez l'appareil hors de la portée des enfants.
- Store the unit out of the reach of children.

NETTOYAGE



AVERTISSEMENT : pour éviter des blessures graves, éteignez toujours l'appareil et débranchez l'appareil avant tout nettoyage ou entretien.

Nettoyez l'extérieur de l'appareil à l'aide d'une petite brosse. N'utilisez pas de détergents concentrés. Les nettoyants ménagers contenant des huiles aromatiques tel que le pin et le citron, et les solvants tel que le kérosène peuvent endommager le boîtier ou la poignée en plastique. Essuyez toute trace d'humidité à l'aide d'un tissu doux.

TRANSPORT

- Attachez bien l'appareil lors du transport.
- Saisissez la machine par les poignées du haut et du milieu (Fig. 12).
- Si vous transportez la machine avec les poignées pliées, veillez à ne pas toucher ou plier accidentellement la commande directionnelle de décharge (Fig. 6). Si vous pliez ou endommagez la commande, vous ne pourrez plus régler les vannes.



Fig. 12

DÉPANNAGE

LE MOTEUR REFUSE DE DÉMARRER

CAUSE

Moteur s'arrête ou le cordon électrique

Le bouton de démarrage ou la poignée de sécurité ont été mal utilisés

Déclenchement du commutateur de protection contre les surcharges

SOLUTION

Vérifier le cordon électrique et s'assurer qu'il est branché dans une prise électrique

Maintenez le bouton de démarrage enfoncé et tenez la poignée de sécurité

Réarmez-le

LE MOTEUR ACCÉLÈRE, MAIS LE ROTOR NE TOURNE PAS

CAUSE

Courroie endommagée

SOLUTION

Remplacez la courroie dans la Section *Inspection/ Remplacement de la courroie d'entraînement*

LA MACHINE LAISSE UNE FINE COUCHE DE NEIGE SUR LES SURFACES DÉBLAYÉES

CAUSE

Le grattoir est usé

SOLUTION

Remplacez le grattoir

Si vous avez besoin d'aide, contactez votre concessionnaire agréé

CARACTÉRISTIQUES

MOTEUR*

Type de moteur..... électrique, 120 volts c.a.

Vitesse nominale (tours minute)9,500 - 14,000 tours / mn

Commutateur de démarrage..... Bouton de sécurité de la poignée de sécurité

Intensité..... 8,5 amps

Protection Contre les Surcharges Disjoncteur de 120 V, 15 amp

ARBRE D'ENTRAÎNEMENT ET SOUFFLEUSE A NEIGE*

Guidonst Tube acier

Poids de l'appareil..... 9 kg (20 lb)

Profondeur de la neige (maximum)..... 0,152 mètres (6 inches)

Largeur du chemin dégagé 0,3175 mètres (12,5 inches)

*Toutes les spécifications contenues dans ce manuel tiennent compte des dernières informations techniques disponibles au moment de mettre sous presse. Nous nous réservons le droit d'y apporter des modifications à tout moment, sans préavis.

GARANTIE LIMITÉE DU FABRICANT POUR:



La garantie limitée énoncée ci-après est accordée par MTD LLC (« MTD ») et concerne les marchandises neuves achetées et utilisées aux États-Unis, ainsi que dans leurs possessions et territoires.

MTD garantit ce produit contre tout vice de matière ou de façon pendant une période de deux (2) ans à compter de la date d'achat initiale et elle se réserve le choix de réparer ou de remplacer, à titre gratuit, toute pièce présentant un vice de matière ou de façon. Cette garantie limitée ne s'appliquera que dans la mesure où le produit aura été utilisé et entretenu conformément au Guide de l'utilisateur fourni avec le produit et n'aura pas fait l'objet d'un usage inadéquat, abusif, commercial ou négligent, d'un accident, d'un entretien inadéquat, d'une modification, de vandalisme, d'un vol, d'un incendie, de dégâts d'eau ou d'un endommagement résultant d'un autre péril ou d'un désastre naturel. Les dommages résultants de l'installation ou de l'utilisation de tout accessoire ou équipement non approuvé par MTD pour une utilisation avec le(s) produit(s) couvert(s) par le présent guide annuleront la garantie et ce qui concerne les dommages qui en résulteraient éventuellement. La présente garantie est limitée à quatre-vingt-dix (90) jours à compter de la date d'achat au détail initiale pour tout produit MTD utilisé à des fins locatives ou commerciales, ou toute utilisation produisant des revenus.

POUR L'ENTRETIEN-DÉPANNAGE : L'Entretien-dépannage au titre de la garantie est disponible, SUR PRÉSENTATION DE PREUVE D'ACHAT, AUPRÈS DU DISTRIBUTEUR AGRÉÉ LOCAL. Pour obtenir le nom du distributeur agréé local, consulter les Pages Jaunes ou se mettre en rapport avec le Service après-vente de MTD LLC. en appelant le **1-800-800-7310** ou en écrivant au P.O. Box 361131, Cleveland OH 44136-0019 ou en appelant le **1-800-668-1238** au Canada. Aucun produit retourné à l'usine sans permission écrite préalable du service après-vente de MTD LLC ne sera accepté.

La garantie limitée n'offre aucune couverture dans les cas suivants :

- A. Mises au point – Bougies, réglages de carburateur, filtres.
- B. Articles d'usure – Bouton de butée, bobines extérieures, fil de coupe, bobines intérieures, poulie de démarrage, cordes de démarrage, courroies d'entraînement.
- C. MTD n'accorde aucune garantie pour les produits vendus ou exportés des États-Unis, de leurs possessions et territoires, exception faite en ce qui concerne les produits vendus par l'intermédiaire de ses canaux agréés de distribution à l'exportation.

MTD se réserve la droit de modifier ou d'améliorer la conception de tout produit MTD sans assumer l'obligation de modifier tout produit d'une fabrication plus ancienne.

Aucune garantie implicite, y compris toute garantie de valeur marchande ou d'adaptation à une fin particulière, ne s'applique après la période applicable de garantie expresse écrite ci-dessus concernant les pièces qui sont identifiées. Aucune autre garantie ou caution expresse, écrite ou orale, à l'exception de celle mentionnée ci-dessus, accordée par toute personne ou entité, y compris tout distributeur ou détaillant, concernant tout produit n'engagera la responsabilité de MTD. Pendant la période de la présente garantie, le remède exclusif est la réparation ou le remplacement du produit dans les conditions énoncées ci-dessus. (Certains états ne permettent pas la limitation de la garantie implicite, il est donc possible que la limitation ci-dessus ne s'applique pas à vous.)

Les clauses énoncées dans la présente Garantie constituent le recours unique et exclusif inhérent aux ventes. MTD ne sera en aucun cas tenue pour responsable de tout dommage indirect ou consécutif ou de dommages comprenant, entre autres mais pas seulement, les dépenses encourues du fait du recours à des services de remplacement ou de substitution pour l'entretien des pelouses, le transport ou des frais connexes, ou les frais entraînés par une location destinée à remplacer provisoirement un produit sous garantie. (Certains états ne permettent pas la limitation de la garantie implicite, il est donc possible que la limitation ci-dessus ne s'applique pas à vous.)

Aucun recouvrement, quel qu'il soit, ne sera d'un montant supérieur au prix du produit vendu. Toute modification des dispositifs de sécurité du produit annulera la présente Garantie. Vous assumez tout risque et toute responsabilité résultant de la perte, de l'endommagement ou du préjudice que vous et votre propriété et/ou d'autres et leur propriété pourront encourir du fait de l'utilisation normale, de la mauvaise utilisation ou de l'empêchement d'utiliser le produit.

La présente garantie limitée n'est accordée qu'à l'acheteur initial, au preneur initial ou à la personne à laquelle le produit a été offert.

Le Droit des États vis à vis de la présente garantie : la présente garantie vous confère certains droits juridiques, et vous pouvez bénéficier d'autres droits, lesquels varient d'une juridiction à l'autre.

Pour obtenir l'adresse du distributeur agréé le plus proche, composer le : **1-800-800-7310** aux États-Unis ou le **1-800-668-1238** au Canada.

MTD LLC

P.O. Box 361131

Cleveland, OH 44136-0019

YARD MACHINES

by **MTD**

Manual del Dueño/Operador

Snow Fox



**Lanzador de Nieve
Eléctrico**

Español



IMPORTANTE: Lea las instrucciones y normas de seguridad detenidamente antes de usar el equipo.

PART NO. 769-02507

(9/06)

MUCHAS GRACIAS

Gracias por haber adquirido este gran producto. Esta moderna herramienta motriz de exteriores está diseñada para brindarle muchas horas de servicio útil. Usted comprobará que es un artefacto que le ahorrará mucho trabajo. Este manual del operador le brinda instrucciones de operación de fácil comprensión. Lea todo el manual y siga todas las instrucciones para mantener su nueva herramienta motriz de exteriores en las mejores condiciones de funcionamiento.

REFERENCIAS, ILUSTRACIONES Y ESPECIFICACIONES DEL PRODUCTO

Toda la información, las ilustraciones y las especificaciones contenidas en este manual se basan en la información más reciente disponible en el momento de impresión del manual. Nos reservamos el derecho de hacer cambios en cualquier momento sin aviso previo.

Copyright© 2006 MTD SOUTHWEST INC. Todos los derechos reservados.

INFORMACION DEL SERVICIO

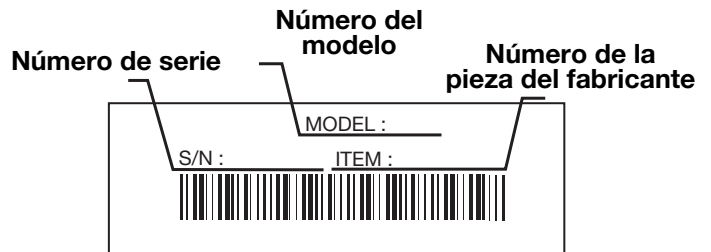
El servicio de esta unidad, ya sea durante o después del período cubierto por la garantía, debe ser realizado solamente por un proveedor de servicios autorizado y aprobado. Llame al **1-800-800-7310**, o en Canadá al **1-800-668-1238**, para obtener una lista de distribuidores de servicio localizados cerca de usted. Para obtener más detalles sobre su unidad, visite nuestro sitio en **www.yardmachines.com**.

NO REGRESE SU UNIDAD AL VENDEDOR. PARA SOLICITAR SERVICIO POR LA GARANTIA, DEBERA PRESENTAR PRUEBA DE SU COMPRA.

Antes de que empiece a ensamblar su nuevo equipo, por favor ubique la placa que contiene el modelo de la unidad y escriba esa información en el espacio en blanco aquí debajo. Aquí debajo se explica la muestra de una placa del modelo.

INDICE DE CONTENIDOS

- Llamadas a apoyo al clienteS2
- Normas para una operación seguraS3
- Conozca su unidadS7
- Instrucciones de ensambleS8
- Instrucciones de operaciónS10
- Instrucciones de mantenimiento y reparación ...S11
- Limpieza y almacenamientoS12
- EspecificacionesS13
- Cuadro de solución de problemasS13
- Lista de PiezasS14
- GarantíaContraportada



Copie el número del modelo/ pieza del fabricante aquí: _____

Copie el número de serie aquí: _____

Antes de arrancar u operar este equipo, asegúrese de leer y comprender bien este manual.

ESTE PRODUCTO ESTA CUBIERTO POR UNA O MAS PATENTES DE EE.UU., OTRAS PATENTES EN TRAMITE.

NORMAS PARA UNA OPERACIÓN SEGURA

Los símbolos de seguridad se utilizan para llamar su atención sobre posibles peligros. Los símbolos de seguridad y sus explicaciones merecen toda su atención y comprensión. Los símbolos de seguridad no eliminan ningún peligro por sí mismos. Las instrucciones o advertencias que ofrecen no substituyen las medidas adecuadas de prevención de accidentes.

SIMBOLO	SIGNIFICADO
---------	-------------



ALERTA DE SEGURIDAD : Indica peligro, advertencia o precaución. Debe prestar atención para evitar sufrir graves lesiones personales. Puede ser utilizado junto con otros símbolos o figuras.

NOTA: Le ofrece información o instrucciones que son esenciales para la operación o mantenimiento del equipo.

Lea el manual del operador y siga todas las advertencias e instrucciones de seguridad. De no hacerlo, el operador y/o los espectadores pueden sufrir graves lesiones.

SI TIENE PREGUNTAS, LLAME AL 1-800-800-7310 EN EE.UU. O AL 1-800-668-1238 en CANADA

SIMBOLO	SIGNIFICADO
---------	-------------



PELIGRO : El no obedecer una advertencia de seguridad puede conducir a que usted u otras personas sufran graves lesiones. Siga siempre las precauciones de seguridad para reducir el riesgo de incendio, descarga eléctrica y lesiones personales.



ADVERTENCIA : El no seguir una advertencia de seguridad puede conducir a que usted u otras personas sufran lesiones. Siga siempre las precauciones de seguridad para reducir el riesgo de incendio, descarga eléctrica y lesiones personales.



PRECAUCIÓN : El no seguir una advertencia de seguridad puede conducir a daño patrimonial o a que usted u otras personas sufran lesiones personales. Siga siempre las precauciones de seguridad para reducir el riesgo de incendio, descarga eléctrica y lesiones personales.

• IMPORTANTE INFORMACION DE SEGURIDAD •

LEA TODAS LAS INSTRUCCIONES



ADVERTENCIA : Se deben seguir las siguientes reglas de seguridad cuando use la unidad. Por favor lea estas instrucciones para su propia seguridad y las de los espectadores, antes de hacer funcionar la unidad. Por favor mantenga estas instrucciones en un lugar seguro para uso futuro.

Antest del Funcionamiento

- Lea este manual de instrucciones de funcionamiento detenidamente. Familiarícese completamente con los controles y el uso apropiado del equipo. Sepa cómo apagar la unidad y desactivar los controles con rapidez.
- No opere esta unidad cuando tenga cansancio, tenga alguna enfermedad o se encuentre bajo la influencia del alcohol, narcóticos o medicamentos.
- Los niños y los adolescentes menores de 15 años no deben operar la unidad, excepto cuando los adolescentes sean guiados por una persona adulta.
- Inspeccione la unidad antes de usarla. Cambie las piezas dañadas. Asegúrese de que todos los sujetadores estén en su lugar y que estén asegurados. Cambie las piezas soplador de nieve que estén quebradas, astilladas o dañadas de alguna manera.
- Tenga precaución para que evite resbalones o caídas.
- Inspeccione completamente la zona en la que se va a usar el lanzador de nieve. Quite todos los tapetes, trineos, tablas, cables, escombros y todo objeto extraño

que pueda ser arrojado por el lanzador.

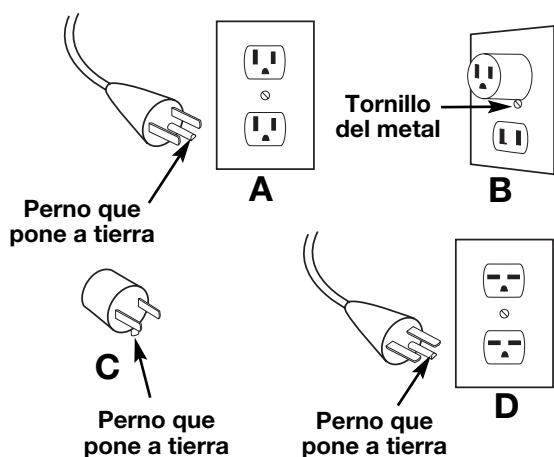
- Asegúrese que el rotor gire libremente antes de use la unidad.
- Vístase apropiadamente. Póngase ropa apropiada para estar afuera en el invierno. Póngase pantalones gruesos y largos, botas, guantes y una camisa de mangas largas. No se ponga ropa suelta, joyas, pantalones cortos, sandalias, ni ande con los pies descalzos. Asegúrese el cabello por encima del nivel de los hombros.
- Póngase calzado impermeable cuando maneje la lanzadora de nieve y con buena tracción sobre superficies resbalosas. Póngase botas de goma.
- Nunca intente hacer ajustes mientras el motor esté en marcha.
- Permita que tanto el motor como la máquina se aclimaten a la temperatura ambiental antes de que empiece a despejar la nieve.
- Lleve puestas gafas de seguridad / caretas o protección para los ojos en todo momento durante el funcionamiento o cuando esté haciendo cualquier ajuste o reparación, para que proteja los ojos contra los objetos que puedan ser lanzados por la máquina.

ADVERTENCIAS DE SEGURIDAD PARA LAS UNIDADES ELÉCTRICAS



ADVERTENCIA: Cuando use artefactos eléctricos, siempre debe tomar precauciones básicas de seguridad para reducir el riesgo de incendio, de descarga eléctrica y de lesiones personales. Lea con cuidado y comprenda todo el manual del operador antes de usar su soplador / aspirador. Preste mucha atención a las instrucciones de operación y a las advertencias de seguridad.

- Este removedor de nieve debe conectarse a tierra mientras esté en uso a fin de proteger al operador contra una descarga eléctrica. El removedor de nieve está equipado con un cable de 3 alambres aprobado y enchufe de conexión a tierra de 3 espigas para que sirva en el receptáculo con conexión a tierra apropiado. El alambre verde o verde/amarillo en el cable es el alambre de conexión a tierra. Nunca conecte este alambre a un terminal vivo. Si su unidad va a utilizarse con menos de 150 voltios, la misma tiene un enchufe que parece una A en la figura a continuación. Si se va a utilizar con 150 a 250 voltios, la misma tiene un enchufe que parece una D en la figura.



- Hay disponible un adaptador (se muestra en las letras B y C en la figura anterior) para conectar los enchufes de conexión a tierra de 3 espigas a receptáculos de 2 espigas. La conexión a tierra significa que la extensión desde el adaptador tiene que conectarse a una tierra permanente como una caja de tomacorriente debidamente conectada a tierra. No hay adaptador disponible para el enchufe que se muestra en la letra D.
- Use solamente cables de extensión de 3 alambres para exteriores que tengan enchufes de conexión a tierra de 3 espigas y receptáculos de 3 postes que acepten el enchufe del removedor de nieve. Reemplace o repare los cables dañados.

TAMAÑO MÍNIMO DE ALAMBRE PARA LOS CABLES DE EXTENSIÓN PARA APARATOS DE 120 VOLTIOS QUE UTILIZAN 0-6 AMPERIOS

Long. de cable (pies)	25	50	100	150
Cal. del alambre (AWG)	16	16	14	14

JUEGOS DE CABLES: Pregúntele a su distribuidor cuál es el cordón de extensión apropiado que se debe usar con este producto. Cerciérese de que el juego de cables esté en buenas condiciones, con un cable que sea lo suficientemente pesado como para conducir la corriente consumida por la unidad. Si utiliza un cable demasiado liviano, esto ocasionará una caída de voltaje de la línea, y

por consiguiente, se producirá una pérdida de potencia y un recalentamiento. La tabla que aparece arriba muestra cuál es el tamaño correcto a usar, de acuerdo con la longitud del cable y el amperaje nominal que aparece en la placa de datos de la máquina. Si tiene duda, utilice el cable del siguiente calibre. Cuanto menor es el número del calibre, más pesado es el cable. Para evitar que el cable se desconecte de la unidad, utilice el gancho del cable que se muestra en las Instrucciones de Operación.



ADVERTENCIA : Para reducir el riesgo de choque eléctrico, utilice únicamente cables de extensión aprobados para uso al aire libre, por ejemplo un cable tipo SW-A, SOW-A, STW-A, STOW-A, SJW-A, SJOW-A, SJTW-W, o SJTOW-A.

- Debe proveerse protección mediante Interruptores de Circuito de Tierra Accidental para el/los circuito(s) o tomacorriente(s) que se utilizarán para esta unidad. Utilice receptáculos con protección GFCI incorporada como medida adicional de seguridad.
- La placa de datos de la unidad indica qué voltaje utiliza la misma. Nunca conecte la unidad a un voltaje de corriente alterna diferente.



ADVERTENCIA: Para prevenir descarga eléctrica, utilice solamente con una cuerda de la extensión conveniente para el uso al aire libre.

- Inspeccione periódicamente todos los cables de extensión y la conexión de la unidad a la corriente. Revise el cable con cuidado para ver si hay deterioros, cortes, o grietas en el aislamiento. Inspeccione también las conexiones para ver si han sufrido daños. Si observa algún defecto, repare o reemplace los cables.
- Al limpiar, inspeccionar o reparar la unidad, asegúrese de que el rotor y todas las piezas en movimiento se hayan detenido. Desconecte el cable de extensión para evitar un arranque accidental.
- No abuse del cable de extensión. Nunca transporte el lanzador de nieve arrastrándolo del cable ni tire del cable para desconectarlo del receptáculo.
- Mantenga el cable de extensión lejos del calor, aceite y bordes con filo, para evitarle daños.
- Si el cable de extensión se daña de alguna manera mientras esté conectado, retírelo del receptáculo.
- Evite una posible desconexión del cable de extensión del receptáculo durante el funcionamiento, utilizando un retén de cable y una barra de guía. Consulte la sección Uso del Retén del Cordón.
- Evite los arranques accidentales. No transporte el lanzador de nieve con el dedo puesto en el interruptor mientras esté enchufado. Al enchufar la unidad, asegúrese de que el interruptor esté desconectado.
- Siempre desenchufe la herramienta y déjala que se enfríe antes de guardarla. Guárdela bajo techo.
- Siempre desenchufe la herramienta cuando no esté en uso y antes de efectuar mantenimiento o reparaciones.

DURANTE LA OPERACION

- Camine, nunca corra.
- Asegúrese de que el lanzador de nieve no esté haciendo contacto con nada antes de poner en marcha la unidad.
- Permanezca lejos de la abertura de expulsión en todo momento. Mantenga la cara, las manos y los pies lejos de partes ocultas que estén en movimiento o que giren.

NORMAS PARA UNA OPERACIÓN SEGURA

- Preste atención cuando use el lanzador de nieve y permanezca alerta ante los huecos en el terreno y otros peligros ocultos o el tráfico.
- No lo use sobre superficies que estén cubiertas con gravilla o piedras trituradas. Tenga un cuidado extremo cuando cruce entradas o caminos que estén cubiertos con gravilla / piedras trituradas.
- Despeje la nieve de áreas inclinadas en ascenso y descenso. Nunca cruce una cuesta a lo largo de la misma. Tenga precaución cuando cambie de dirección. Nunca despeje la nieve que se encuentre en cuestas muy empinadas.
- Nunca intente usar el lanzador de nieve en un techo o en cualquier superficie empinada, inclinada o resbalosa.
- Nunca opere el lanzador de nieve sin los protectores apropiados, las planchas protectoras o cualquier otro dispositivo protector que no esté puesto donde corresponde.
- Nunca opere el lanzador de nieve cerca de locales encerrados en vidrio, automóviles, camiones, ventanas, bajadas, etc., sin haber ajustado el ángulo de expulsión de nieve apropiadamente. Mantenga lejos a los niños y a los animales domésticos.
- No fuerce ni sobrecargue el lanzador de nieve. El lanzador de nieve funcionará de la mejor manera y en forma más segura cuando se opere dentro de los parámetros para los cuales fue diseñado.
- Nunca opere la máquina a altas velocidades sobre superficies resbalosas. Mire hacia atrás y tenga cuidado cuando retroceda.
- Nunca dirija la expulsión de la nieve hacia la gente ni permita que nadie se pare al frente de la unidad mientras funciona.
- Póngase gafas o lentes de protección que estén clasificados como aptos según las normas ANSI Z87.1, y protección para los oídos / audición, mientras opere esta unidad.
- Use la unidad solamente bajo luz diurna o buena iluminación artificial.
- Evite los arranques accidentales. Permanezca en la posición de arranque cuando hale la cuerda de arranque. Tanto el operador como la unidad deben estar en una posición estable mientras arranca. Vea las Instrucciones sobre el Arranque / Apagado.
- Use la herramienta correcta. Use esta herramienta solamente para el propósito debido.
- No se estire demasiado. Mantenga firme la pisada y un buen equilibrio.
- Sostenga la unidad con ambas manos cuando la opere. Mantenga un asidero firme en ambos mangos o manijas.
- Mantenga las manos, la cara y los pies alejados de todas las piezas que se muevan. No toque ni trate de detener el rotor cuando esté girando.
- Si el rotor no gira libremente debido al hielo congelado, descongele la unidad completamente antes de intentar funcionarla bajo corriente.
- Mantenga el rotor libre de escombros.
- Nunca intente despejar obstrucciones del rotor mientras el motor esté en marcha. Primero, apague el motor y desenchufe el cordón de extensión.
- Mantenga la ropa y las partes del cuerpo lejos del rotor.
- No opere el motor a una velocidad mayor de la necesaria. No haga funcionar el motor a alta velocidad

cuando no esté despejando nieve.

- Siempre apague el motor cuando la limpieza de nieve se aplase o cuando camine de un punto a otro.
- Desactive el engranaje del rotor cuando transporte el lanzador de nieve o cuando no esté en uso.
- Cuando golpee un objeto extraño, apague la unidad e inspeccione el lanzador de nieve para ver si se ha dañado. Desenchufe la unidad. Repare el daño antes de volver a arrancar y hacer funcionar la unidad.
- Si la unidad empieza a vibrar anormalmente, apague la unidad y verifique la causa inmediatamente. Generalmente, la vibración es una advertencia de problemas.
- Apague el motor y desenchufe la unidad cuando se aleje de la posición de funcionamiento, antes de desatascar el rotor o las paletas de expulsión, y cuando le haga arreglos, ajustes o inspecciones.
- Nunca expulse la nieve sobre caminos públicos ni cerca del tráfico en movimiento.
- Permita que el lanzador de nieve funcione durante unos cuantos minutos después de despejar la nieve, para evitar que se congelen las piezas en movimiento.
- Use únicamente piezas de repuesto y accesorios del fabricante original para esta unidad. Se encuentran disponibles en el distribuidor autorizado. El uso de piezas o accesorios que no sean genuinos puede ocasionarle lesiones serias al usuario o dañar la unidad y anular la garantía.
- No utilice la unidad en la posición manual. No levante la unidad cuando está arrancada y funcionando. La unidad está diseñada para desplazarse por el suelo.

OTRAS ADVERTENCIAS DE SEGURIDAD

- Cerciórese de asegurar la unidad al transportarla.
- Guarde la unidad bajo llave en un lugar adecuado y seco para evitar que sea usada por personas no autorizadas y se dañe, fuera del alcance de los niños.
- Nunca moje ni rocíe la unidad con agua ni con ningún otro líquido. Mantenga las manijas secas, limpias y sin residuos. Limpie la unidad después de cada uso, lea las Instrucciones de Limpieza y Almacenamiento.
- Si las etiquetas de la unidad se tornan borrosas o comienzan a levantarse, comuníquese con su distribuidor de servicio autorizado.
- Guarde estas instrucciones. Consúltelas con frecuencia y utilícelas para enseñarle a otros usuarios. Si le presta esta unidad a alguien, préstele también estas instrucciones.
- Mantenga los removedores de nieve con cuidado. Siga las instrucciones para lubricar y cambiar los accesorios.

GUARDE ESTAS INSTRUCCIONES

NORMAS PARA UNA OPERACIÓN SEGURA

Este manual del operador describe los símbolos y figuras de seguridad e internacionales que pueden aparecer en este producto. Lea el manual del operador para obtener información completa acerca de la seguridad, ensamble, operación y mantenimiento y reparación.

SIMBOLO

SIGNIFICADO



- **SIMBOLO DE ALERTA DE SEGURIDAD**

Indica peligro, advertencia o precaución. Puede ser utilizado junto con otros símbolos o figuras.



- **ADVERTENCIA - LEA EL MANUAL DEL OPERADOR**

Lea el manual del operador y siga todas las advertencias e instrucciones de seguridad. De no hacerlo, el operador y/o los espectadores pueden sufrir graves lesiones.



- **MANTENGA ALEJADOS A LOS ESPECTADORES**

ADVERTENCIA:

Mantenga a todos los espectadores, en especial a niños y animales domésticos a por lo menos 15 m (50 pies) del área de corte.

SIMBOLO

SIGNIFICADO



- **LOS OBJETOS LANZADOS PUEDEN CAUSAR LESIONES SEVERAS**

ADVERTENCIA: Los objetos pequeños pueden salir disparados a gran velocidad y causar lesiones. Manténgase lejos del giro del rotor.



- **EL GIRO DEL MOTOR PUEDE CAUSAR LESIONES SEVERAS**

ADVERTENCIA:

Mantenga las manos, pies y la ropa lejos del área de expulsión. No se pare al frente de la unidad ni use las manos para limpiar el área del rotor.

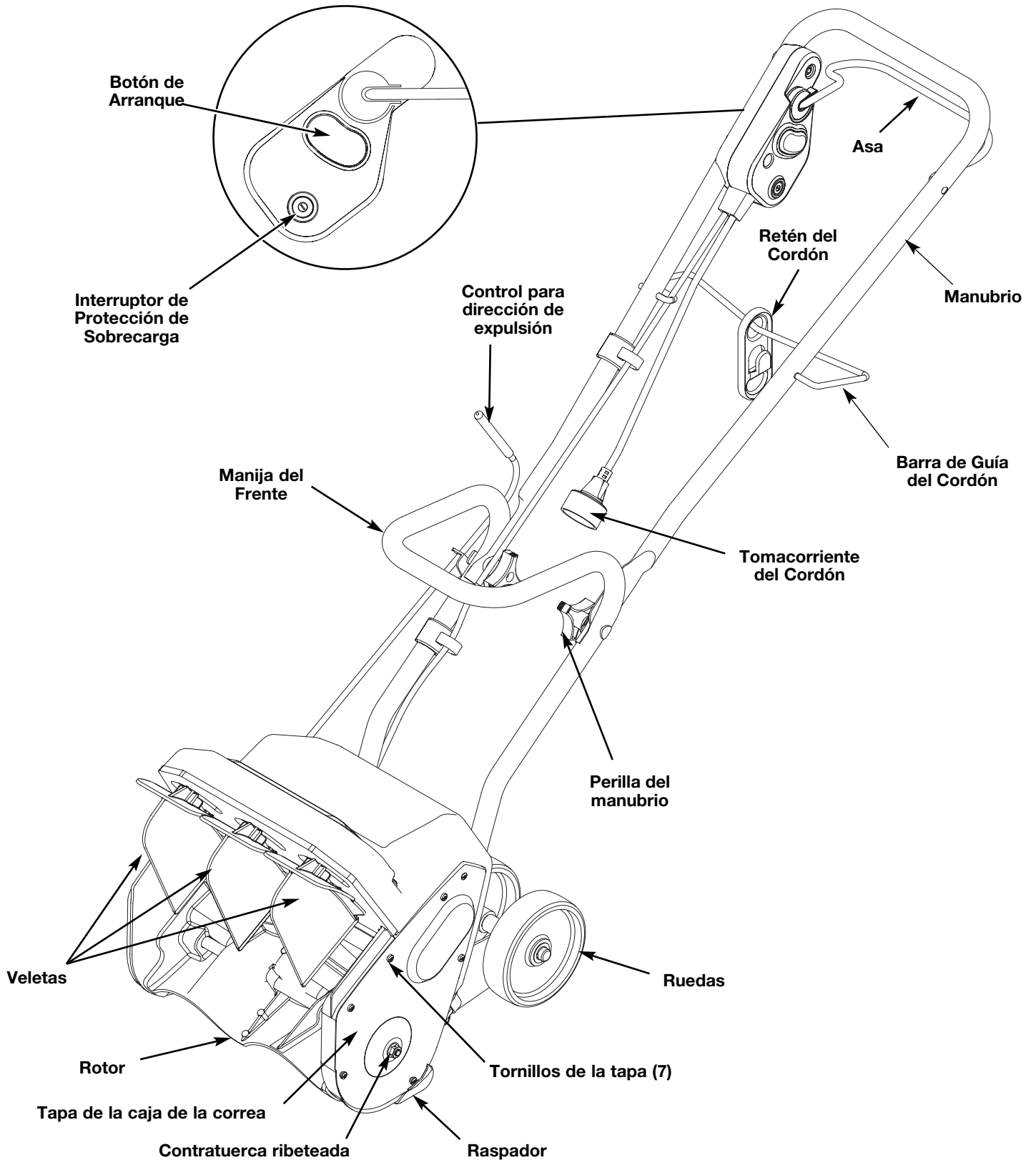


- **MANTENGA LAS MANOS Y LOS PIES ALEJADOS**

APLICACIONES

Como soplador de nieve:

- Despeja la nieve de las entradas, camino de acceso, andenes, caminos, etc.



ENSAMBLAJE DE LAS MANIJAS

Antes de que pueda operar la unidad, debe instalar las manijas.

1. Cuando desempaque la unidad, afloje y retire las dos perillas y arandelas del interior de las barras inferiores (Fig. 1).
2. Sostenga la manija en la posición que se indica en la Figura 1 y deslícela hacia las barras inferiores, cerciorándose que los extremos de la manija estén en la parte interior de las barras inferiores.
3. Alinee los orificios de la manija con los orificios de las barras inferiores e inserte los pernos a través de dichos orificios.
4. Verifique que el asa esté montada en el conjunto del interruptor (Fig. 1).

NOTA: Tenga cuidado en no comprimir el cable del interruptor al colocar en posición las manijas.

5. Coloque las arandelas en los pernos, después atornílleles las dos perillas.
6. Apriete las perillas para fijar las manijas en su lugar.

NOTA: No apriete demasiado las perillas.

7. Fije el cable del interruptor al retenedor de cable, en la barra inferior, como se indica en la inserción de la Figura 1.
8. Retire la faja una vez que la manija superior esté montada a la manija inferior (Fig. 1).

USO DEL RETEN DEL CABLE

Hay un retén del cable de extensión para evitar que el cable de extensión se desconecte durante el uso. El retén cuelga de la barra de guía del cable.

NOTA: No enchufe el cable de extensión en un receptáculo de corriente hasta que el cable esté conectado al retén del cable y enchufado en la unidad.

Para usar el retén de cable:

1. Pliegue el cable de extensión a la mitad, formando un lazo apretado cerca del receptáculo.
2. Empuje el lazo a través del agujero en la parte inferior del retén (Fig. 2).
3. Deslice el lazo sobre la abrazadera de sujeción y tire hacia abajo hasta que el cable ajuste firmemente (Fig. 2).

NOTA: Utilice un cable de extensión aprobado por UL. Se recomienda un cable calibre 14, de 100 pies de largo. Se acepta un cable calibre 16, de 50 pies de largo.

Tanto el retén del cable como la barra de guía limitan el cable de extensión y lo mantienen fuera del camino todo el tiempo al lado del operador.

La extensión y el retén se deslizarán en la barra de guía a medida que la unidad se mueva hacia la izquierda y derecha. Conecte su extensión a la unidad como se muestra en la Figura 3.

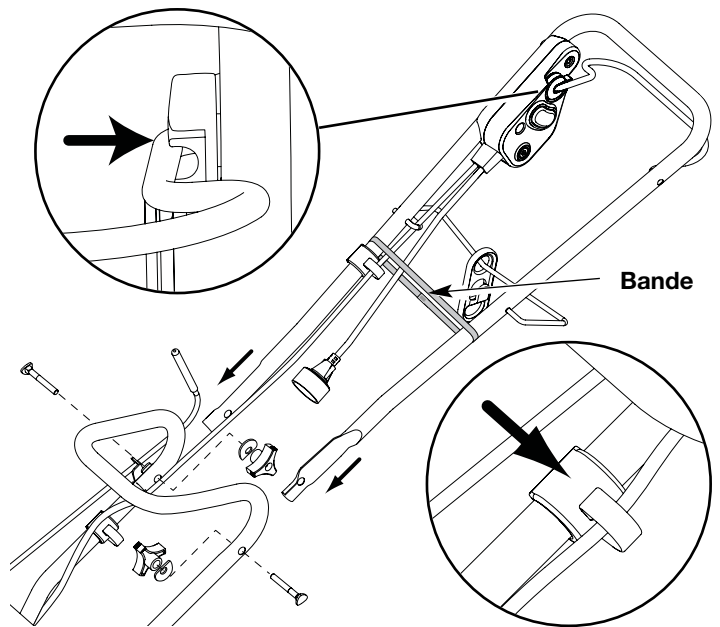


Fig. 1

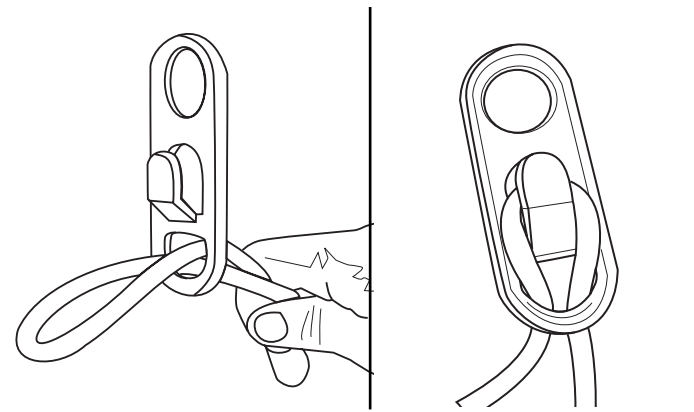


Fig. 2

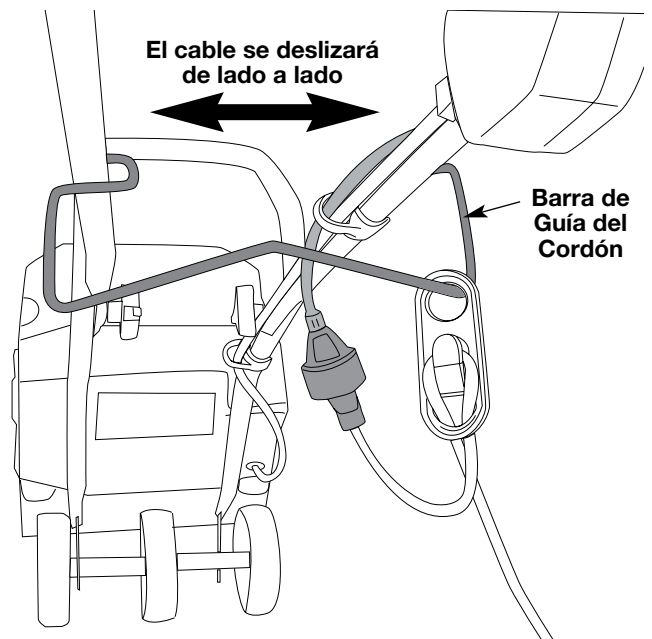


Fig. 3

INSTRUCCIONES DE ARRANQUE



ADVERTENCIA : Evite los arranques accidentales. Colóquese en posición de inicio cuando tire de la cuerda de arranque. El operador y la unidad deben estar en una posición estable al arrancar la unidad para evitar graves lesiones personales.

Usted tiene que seguir esta secuencia para arrancar la unidad correctamente.

1. Cerciórese de haber enchufado la unidad.
2. Oprima y sostenga oprimido el botón de arranque de color rojo (Fig. 4).
3. Mientras sostiene el botón de arranque, levante y sostenga el asa.

NOTA: La unidad NO arrancará si no oprime y mantiene oprimido el botón de arranque hasta que levante el asa.

4. Sostenga el asa y comience a operar la unidad (Fig. 5).

INSTRUCCIONES DE APAGADO

1. Quite la mano del asa.
2. El botón de arranque saldrá y se apagará la unidad.

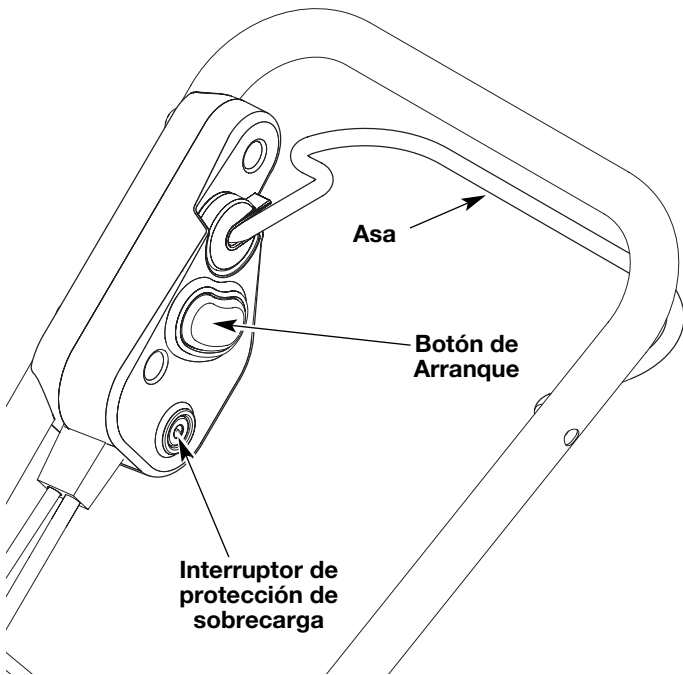


Fig. 4

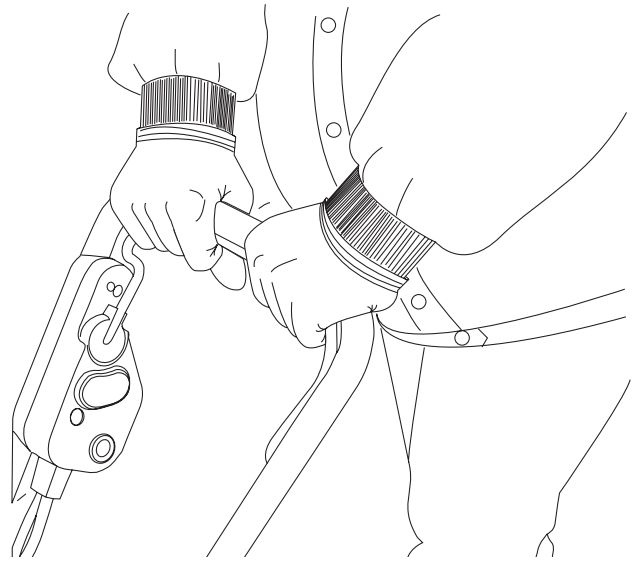


Fig. 5

INTERRUPTOR DE PROTECCIÓN DE SOBRECARGA

Esta unidad está equipada con un interruptor de protección de sobrecarga para prevenir el daño al motor en caso de recalentamiento excesivo.

Si el interruptor salta:

1. Suelte el asa y deje que la unidad se detenga y enfríe durante un minuto.
2. Oprima el interruptor de sobrecarga para reajustarlo y volver a iniciar la operación (Fig. 7).

Si el interruptor vuelve a saltar poco tiempo después de la primera vez:

1. Deje enfriar la unidad de 15 a 30 minutos.
2. Después que la unidad se enfríe, vuelva a oprimir el interruptor para reajustarlo. Vuelva a comenzar la operación.

Si el interruptor no permanece adentro o continúa saltando durante la operación, lleve la unidad a un centro de servicio autorizado para que lo reparen.

FUNCIONAMIENTO DE LA UNIDAD

1. Arranque la unidad según las *Instrucciones de Arranque*. La profundidad y el peso de la nieve es lo que dictamina la velocidad de avance.
2. Empuje el Snow Buster de manera que deslice sobre el raspador.
3. Asegúrese de que el cable de corriente esté fijado al retén del cable y descanse sobre la barra de guía. El cable de corriente debe quedar a un costado del operador.

Ajuste de la dirección de expulsión

La nieve se puede expulsar hacia la izquierda, derecho al frente o hacia la derecha.

Para cambiar la dirección, siga las siguientes instrucciones:

1. Suelte el asa para detener el rotor.
2. Agarre firmemente el mango del Control para Dirección de Expulsión y hale hacia arriba. Eso suelta la varilla, la cual es accionada por un resorte, de la ranura de dirección de expulsión actual y permite el movimiento libre (Fig. 6).
3. Voltee el Control para Dirección de Expulsión hacia la izquierda, hacia el centro o hacia la derecha, de acuerdo a la dirección hacia la que quiera lanzar la nieve. Ver la Figura 12.

NOTA: Desde la posición del centro, el Control para Dirección de Expulsión voltee aproximadamente 45 grados en cualquier sentido (izquierda o derecha). No lo fuerce.

4. Suelte el Control para Dirección de Expulsión en la ranura para dirección de expulsión para asegurar la posición del sentido en el que quiere expulsar la nieve.

NOTA: Asegúrese de que el Control para Dirección de Expulsión esté puesto fijamente en la ranura para dirección y que no pueda girar libremente.

5. Arranque de nuevo la unidad según las *Instrucciones de Arranque*.

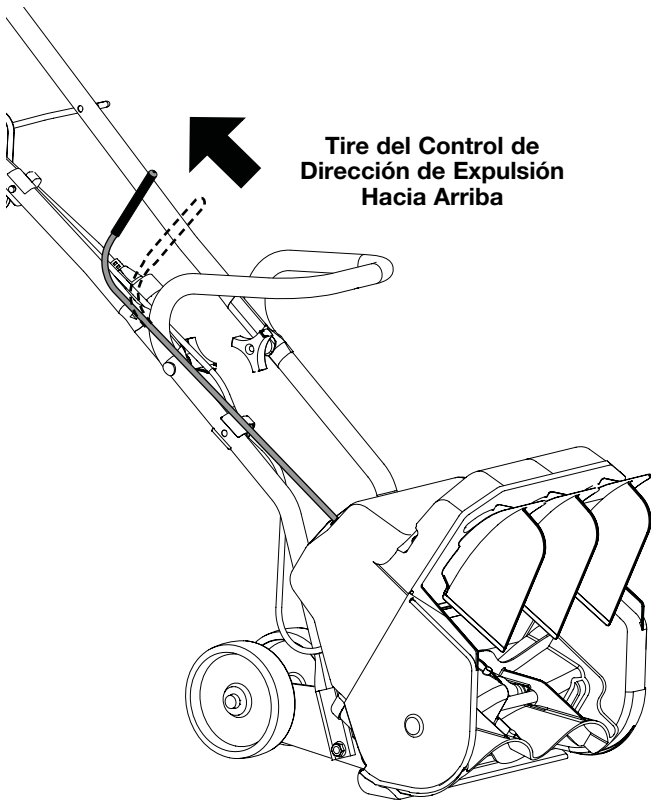


Fig. 6

Vista Superior

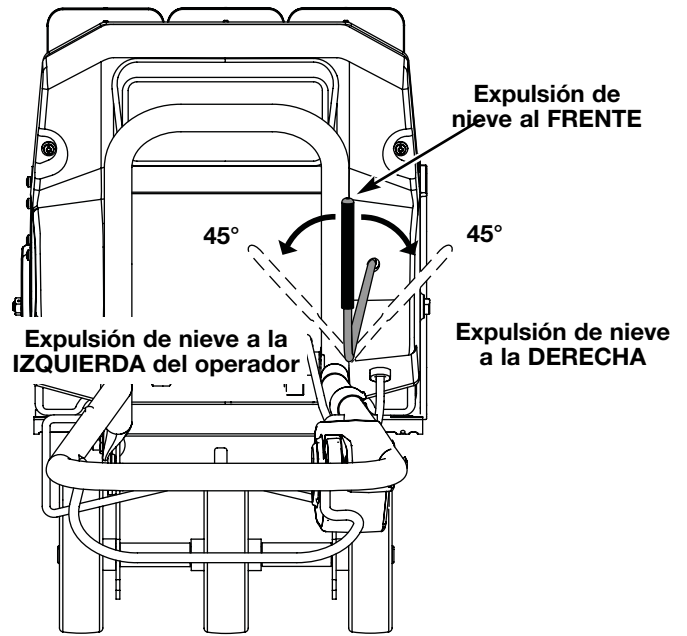


Fig. 7

Consejos para resultados óptimos con el Snow Fox

- Para obtener el lanzamiento de nieve más eficiente, mantenga las veletas paralelas, lance la nieve viento abajo.
- Cubra ligeramente cada hilera (Fig. 8).



Fig. 8

SERVICIO DE LAS UNIDADES CON AISLAMIENTO DOBLE

Esta unidad cuenta con un aislamiento doble. En una unidad con aislamiento doble, existen dos sistemas de aislamiento en vez de conexión a tierra. No se proporciona ningún medio de conexión a tierra en una unidad de aislamiento doble, ni deben agregarse medios de conexión a tierra a esta unidad. El servicio de una unidad con aislamiento doble requiere mucho cuidado y conocimiento del sistema, y debe ser realizado únicamente por personal de servicio calificado. Las piezas de repuesto para una unidad con aislamiento doble deben ser idénticas a las piezas que reponen. Solicite todas las reparaciones a un proveedor de servicio autorizado. Una unidad de aislamiento doble está indicada con las palabras "double insulation" o "double insulated."

INSPECCIÓN/ CAMBIO DE LA CORREA DE TRACCIÓN

Cuando le haga mantenimiento al Snow Buster, use solamente piezas de repuesto originales fabricante. Inspeccione el desgaste de la correa de tracción una vez al año o cada 50 horas de funcionamiento, cualquiera que llegue primero. Si la correa necesita ser cambiada, use las siguientes instrucciones.



ADVERTENCIA: Para evitar lesiones personales serias, apague el motor y déjelo enfriar. Desenchufe la unidad antes de que le haga cualquier mantenimiento a la unidad.

1. Quite la tuerca ribeteada de la tapa de caja de la correa con una llave o copa para tuercas (Fig. 9).
2. Quite los siete (7) tornillos de la tapa de la caja de la correa con una herramienta Torx # T20 o con un destornillador de punta plana (Fig. 9).



ADVERTENCIA: A fin de reducir el riesgo de descarga eléctrica, vuelva a colocar la tapa antes de conectar la unidad a la corriente eléctrica.

3. Hale el tensionador de la correa (brazo tensor) separándolo de la polea de tracción. Quite la correa dañada de la polea dentro de la cubierta. Deséchela en forma apropiada (Fig. 10).
4. Ponga la nueva correa en la polea de tracción y en la polea impulsada (Fig. 10). Hale el tensor de la correa (brazo tensor) separándolo de la polea de tracción para que instale la correa alrededor de la polea de tracción.

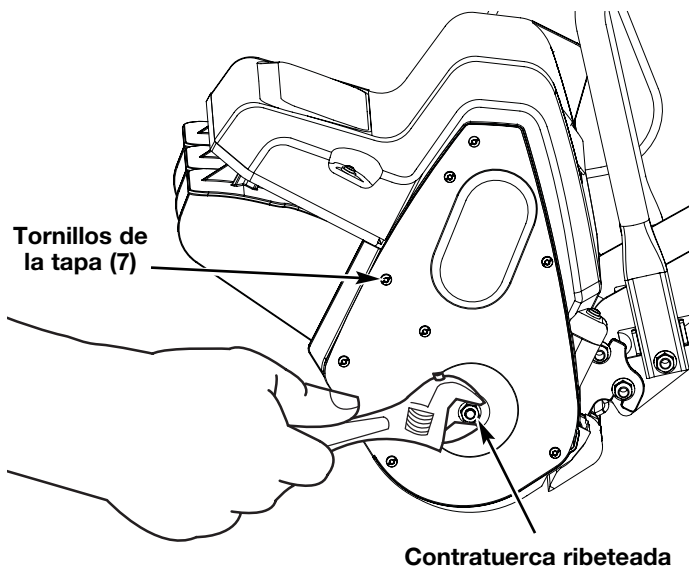


Fig. 9

NOTA: Asegúrese de que la arandela todavía esté en su lugar sobre el eje de la polea impulsada antes de reinstalar la cubierta de la correa.

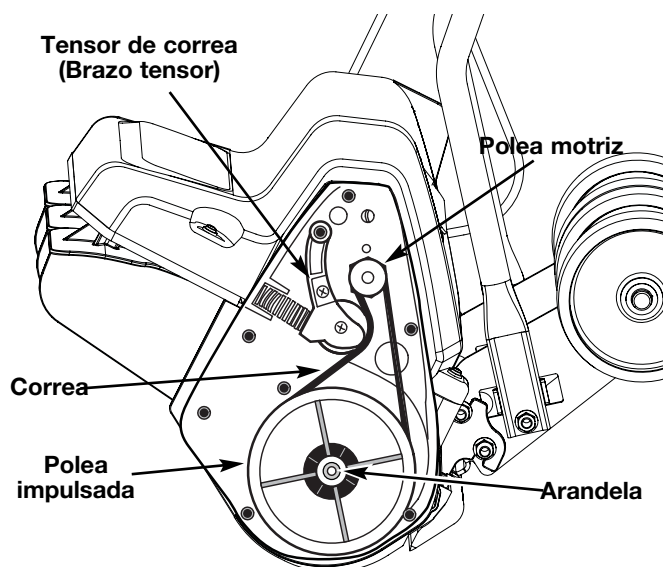


Fig. 10

5. Vuelva a poner la tapa con los siete (7) tornillos. Para que la instalación sea más fácil, ponga la parte delgada de la tapa en la cavidad de la cubierta. Instale los dos tornillos superiores, luego empuje el resto hacia abajo dentro de la cavidad y sobre el eje del rotor (Fig. 10a). Apriete los siete (7) tornillos a **18-23 in•lb (2.0-2.5 N•m)**.
6. Vuelva a poner la contratuerca ribeteada. Apriete la tuerca a **80-2.540,00 mm•b (9,0-11,2 N•m)**.

NOTA: Si se daña la contratuerca ribeteada, no la reemplace con una tuerca corriente. Use solamente piezas de repuesto originales MTD.

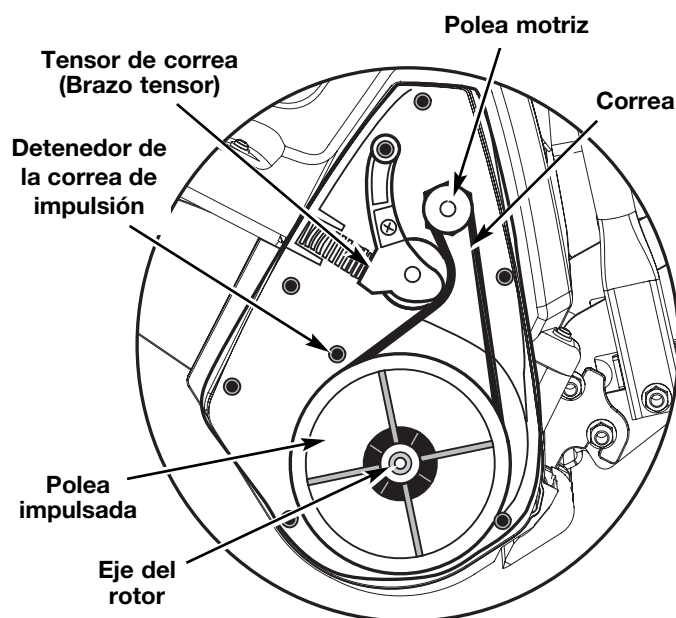


Fig. 10a



ADVERTENCIA: Al reinstalar la correa nuevamente dentro de la cubierta principal, sea seguro que la correa está a la derecha del detenedor de la correa de impulsión. Si la correa se coloca a la izquierda, el daños seria pueden ocurrir.

REEMPLAZANDO EL RASPADOR



ADVERTENCIA : Para evitar graves lesiones personales, apague siempre su unidad. Desenchufe la unidad y espere que se enfríe antes de limpiarlo o realizar cualquier tipo de mantenimiento.

Use solamente piezas de repuesto originales.

1. Ponga el lanzador de nieve en el piso o en la mesa de trabajo. Ponga la unidad de manera que las veletas y el rotor apunten hacia arriba.
2. Debajo del rotor, ubique y quite los tres (3) tornillos que fijan el raspador a la cubierta, use una llave de barras Torx #T20 o un destornillador de punta plana. Ver la Figura 21.
3. Quite el raspador y deséchelo apropiadamente.
4. Ponga el raspador nuevo en la unidad, vuelva a poner los tres (3) tornillos. Apriete los tornillos a: **25-30 in•lb (2.8-3.3 N•m).**

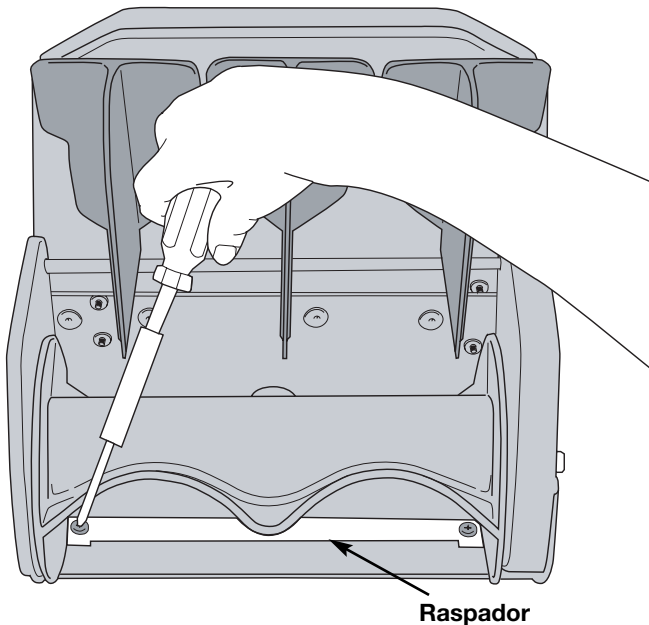


Fig. 11

ALMACENAMIENTO

- No guarde nunca la unidad con combustible en el tanque donde los vapores puedan llegar a una llama o chispa.
- Espere que el motor se enfríe antes de guardar la unidad.
- Guarde la unidad bajo llave para prevenir el uso por personas no autorizadas y daños.
- Guarde la unidad fuera del alcance de los niños.

LIMPIEZA



ADVERTENCIA : Para evitar graves lesiones personales, apague siempre su unidad. Desenchufe la unidad y espere que se enfríe antes de limpiarlo o realizar cualquier tipo de mantenimiento.

Use un cepillo pequeño para limpiar la parte exterior de la unidad. No use detergentes fuertes. Los limpiadores domésticos que contienen aceites aromáticos como pino y limón, y con solventes como el queroseno pueden dañar el bastidor de plástico y la manija. Seque toda la humedad con un paño suave.

TRANSPORTE

- Espere que el motor se enfríe antes de transportar
- Asegure la unidad durante su transporte.
- Para mover la unidad, sosténgala por las manillas delantera superior y mediana (Fig. 12).
- Si va a transportar la unidad con las manijas plegadas, tenga cuidado de no hacer contacto y doblar accidentalmente el control de dirección de expulsión (Fig. 6). Si dobla o daña el control, no podrá ajustar las paletas.



Fig. 12

RESOLUCIÓN DE PROBLEMAS

EL MOTOR NO ARRANCA

CAUSA

- El motor se detiene, o la unidad está desenchufada
- Se utilizó incorrectamente el botón de arranque o el asa
- El interruptor de protección contra sobrecarga se ha salido

ACCIÓN

- Revise el cable para ver si está enchufado a un tomacorriente
- Oprima el botón de arranque y manténgalo oprimido, y sostenga el asa.
- Oprímalo hacia adentro y siga las Instrucciones de Arranque

EL MOTOR ACELERA PERO EL ROTOR NO GIRA

CAUSA

- Correa dañada

ACCIÓN

- Cambie la correa

LA UNIDAD DEJA UNA FINA CAPA DE NIEVE EN LAS SUPERFICIES DESPEJADAS

CAUSA

- El raspador está desgastado

ACCIÓN

- Reemplace el raspador

Si necesita asistencia adicional, comuníquese con su proveedor de servicio autorizado.

ESPECIFICACIONES

MOTOR*

Tipo de motor	Eléctrico CA 120 voltios
RPM de operación	9,500 - 14,000 rpm
Interruptor de encendido.....	Botón de Seguridad de Traba del Asa
Amperaje.....	8 Amperios
Protección de Sobrecarga.....	Disyuntor de 120V, 15 amperios

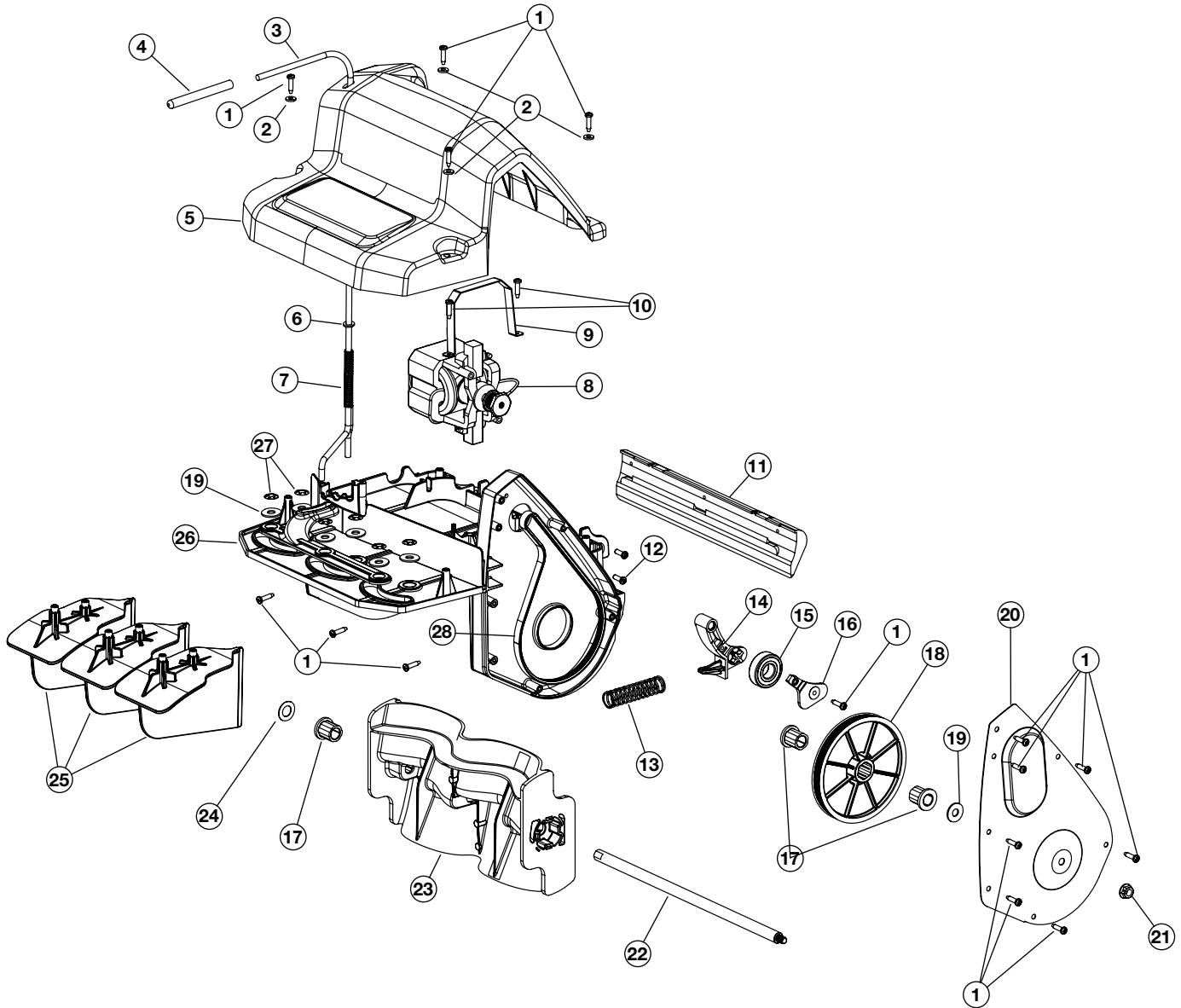
EJE IMPULSOR Y SOPLADOR DE NIEVE*

Bastidor del eje impulsor	Tubo de acero
Peso de la unidad.....	10 kg (22 libras)
Profundidad de la nieve (máximo).....	152 metros (6 inches)
Ancho del trayecto despejado.....	305 metros (12 inches)

* Toda las especificaciones contenidas en este manual se basan en la información más reciente disponible en el momento de impresión del manual. Nos reservamos el derecho de hacer cambios en cualquier momento sin aviso previo.

PARTS LIST

MOTOR/TROWER PARTS - MODEL SNOWFOX ELECTRIC SNOW THROWER



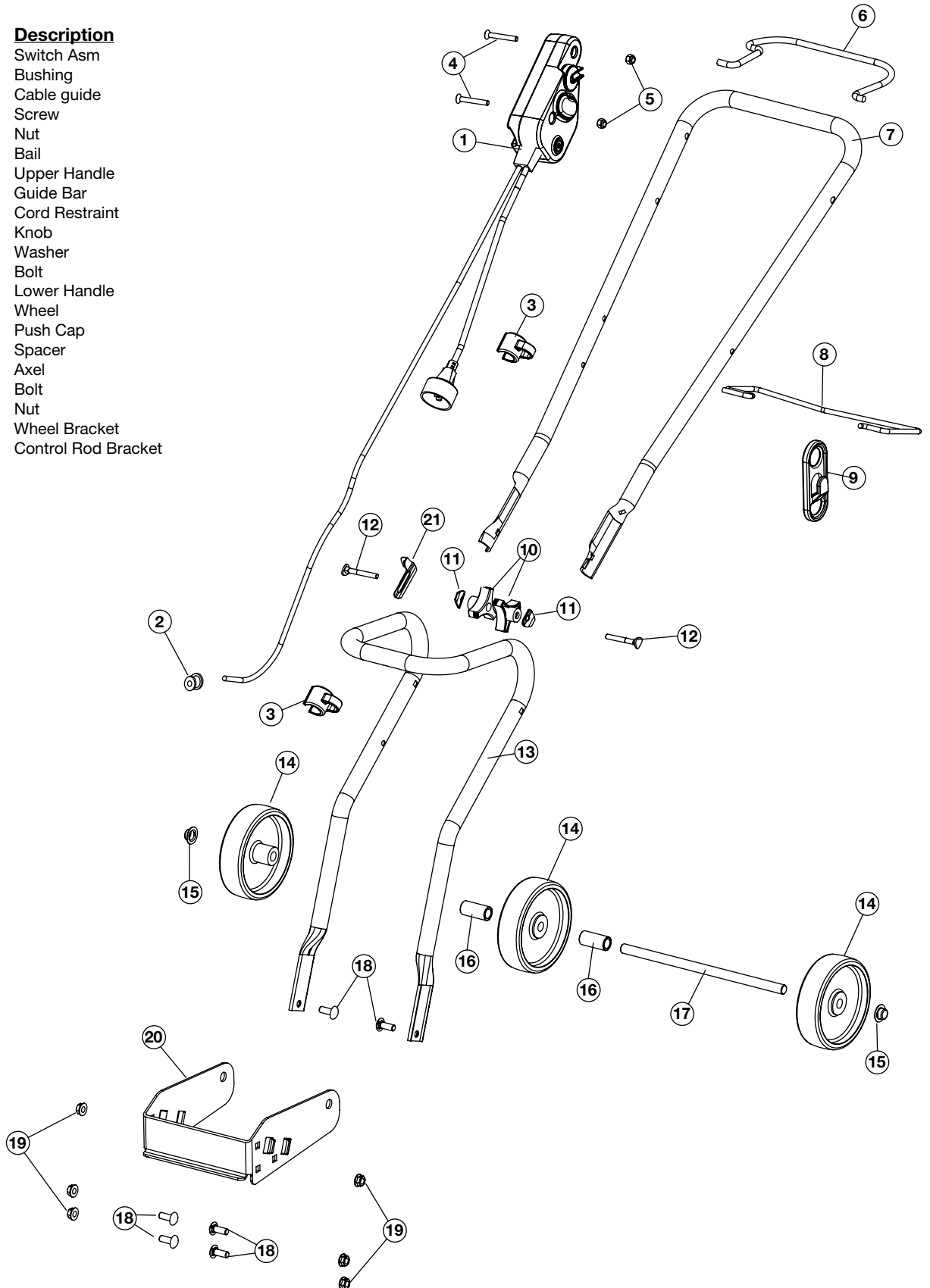
Item	Part No.	Description
1	791-181345	Screw
2	791-182409	Washer
3	791-00012	Vane Control Handle
4	791-00001	Grip
5	753-04416	Cover
6	753-04079	Washer
7	791-00002	Spring
8	753-05382	Motor Assm w/ Fan & Pulley
9	753-04422	Motor Strap
10	753-05274	Screw
11	791-00010	Scraper
12	791-181862	Screw
13	791-00015	Spring
14	791-00016	Idler Arm
15	753-04081	Ball Bearing
16	791-00017	Keeper
17	753-04082	Flange Bearing

Item	Part No.	Description
18	791-00018	Driven Pulley
19	753-04080	Washer
20	753-04443	Bert Case Cover
21	753-04056	Flange Lock Nut
22	791-00022	Axle Auger
23	753-04423	Auger
24	791-182910	Washer
25	753-04424	Vane
26	753-05402	Snow Thrower Housing
27	791-00013	Push Nut
28	791-00014	Drive Belt

PARTS LIST

HANDLE PARTS - MODEL SNOWFOX ELECTRIC SNOW THROWER

Item	Part No.	Description
1	753-05385	Switch Asm
2	753-04428	Bushing
3	753-04429	Cable guide
4	753-04430	Screw
5	753-04431	Nut
6	753-04432	Bail
7	753-04433	Upper Handle
8	753-04434	Guide Bar
9	753-04435	Cord Restraint
10	791-182677	Knob
11	753-04052	Washer
12	791-182899	Bolt
13	753-04436	Lower Handle
14	753-04437	Wheel
15	753-04062	Push Cap
16	753-05384	Spacer
17	753-04439	Axel
18	791-182213	Bolt
19	753-05383	Nut
20	753-04440	Wheel Bracket
21	753-04441	Control Rod Bracket



GARANTÍA LIMITADA DEL FABRICANTE PARA:



La garantía limitada establecida a continuación es dada por MTD LLC ("MTD") con respecto a mercancía nueva que sea comprada y usada en los Estados Unidos, sus posesiones y territorios.

MTD garantiza este producto contra defectos en el material y la mano de obra durante un período de dos (2) años, a partir de la fecha de compra original y a su entera opción, arreglará o substituirá, sin costo alguno, cualquier pieza cuyo material o mano de obra se considere defectuoso. Esta garantía limitada se deberá aplicar únicamente si este producto ha sido manejado y mantenido de acuerdo al Manual del Operador incluido con el producto y, si no ha sido sometido a mal uso, abuso, uso comercial, accidente, mantenimiento inapropiado, alteración, vandalismo, hurto, fuego, agua o daños debidos a otros riesgos o desastre natural. Los daños ocasionados por la instalación o el uso de cualquier accesorio o aditamento que no esté aprobado por MTD para que sea usado con el (los) producto(s) contemplados en este manual, anularán la garantía con respecto a cualquier daño resultante. Esta garantía está limitada a noventa (90) días a partir de la fecha de compra original de cualquier producto MTD que se use para alquiler o para propósitos comerciales, o cualquier otro propósito que genere ingreso.

CÓMO OBTENER SERVICIO: El servicio de garantía se encuentra disponible A TRAVÉS DE SU DISTRIBUIDOR LOCAL AUTORIZADO, AL PRESENTAR UN COMPROBANTE DE COMPRA. Para ubicar al distribuidor de su área, por favor consulte las Páginas Amarillas o contacte al Departamento de Servicio al Consumidor de MTD LLC llame al **1-800-800-7310** o, escriba a P.O. Box 361131, Cleveland OH 44136-0019. Si está en Canadá, llame al **1-800-668-1238**. No se aceptará ningún producto que sea enviado directamente a la fábrica, a menos que haya recibido autorización previa por escrito por parte del Departamento de Servicio al Consumidor de MTD LLC.

Esta garantía limitada no ofrece cobertura en los siguientes casos:

- A. Sincronizaciones — Bujías, ajustes de carburadores, filtros.
- B. Artículos de desgaste — Botón de tope, carretes externos, línea de corte, carretes internos, polea de arranque, cuerdas de arranque, correas motoras.
- C. MTD no le ofrece ninguna garantía a productos que sean vendidos o exportados fuera de los Estados Unidos o Norteamérica, sus posesiones y territorios, excepto aquellos que se vendan a través de los canales de distribución para exportación autorizados por MTD.

MTD se reserva el derecho a cambiar o mejorar el diseño de cualquier producto MTD, sin asumir ninguna obligación para modificar ningún producto fabricado con anterioridad.

Ninguna garantía implícita es aplicable, incluyendo cualquier garantía implícita de comerciabilidad o idoneidad para un propósito particular, después del período de la garantía expresa escrita con anterioridad, con respecto a las piezas identificadas. Ninguna otra garantía expresa dada por cualquier persona o entidad, incluyendo a los distribuidores o minoristas, bien sea escrita u oral, deberá comprometer a MTD con respecto a cualquier producto. Durante el período de la Garantía, la solución exclusiva es arreglar o cambiar el producto de la manera establecida anteriormente. (Algunos estados no permiten limitaciones en cuanto al período de duración de una garantía implícita, de manera que puede que la limitación anterior no sea aplicable para usted.)

Las estipulaciones establecidas en esta Garantía ofrecen la solución única y exclusiva que resulte de las ventas. MTD no deberá ser responsable de pérdidas o daños incidentales o consecuentes que incluyen, sin limitación, erogación de gastos debido a la sustitución de servicios de mantenimiento de prados, transporte o gastos relacionados, o gastos de alquiler para reemplazar temporalmente un producto bajo garantía. (Algunos estados no permiten limitaciones en cuanto al período de duración de una garantía implícita, de manera que puede que la limitación anterior no sea aplicable para usted.)

La recuperación de cualquier tipo no deberá ser superior al precio de compra del producto vendido en ningún caso. La alteración de las características de seguridad del producto deberá anular la garantía. Usted asume el riesgo y la obligación de la pérdida, daño o lesión en su persona o a su propiedad y / o la de otras personas y sus propiedades, que se origine a raíz del uso o mal uso, o la falta de capacidad para usar el producto.

Esta garantía limitada no deberá cubrir a ninguna otra persona distinta al comprador original, arrendatario original, o la persona para la que se compró en calidad de regalo.

Relación de las leyes estatales con esta Garantía: Esta garantía le confiere derechos legales específicos, y puede que usted también tenga otros derechos, los cuales varían en cada estado.

Para ubicar a su distribuidor de servicio más cercano, llame al **1-800-800-7310** en los Estados Unidos a al **1-800-668-1238** en Canadá.

MTD LLC
P.O. Box 361131
Cleveland, OH 44136-0019