

Operator's Manual



4-Cycle

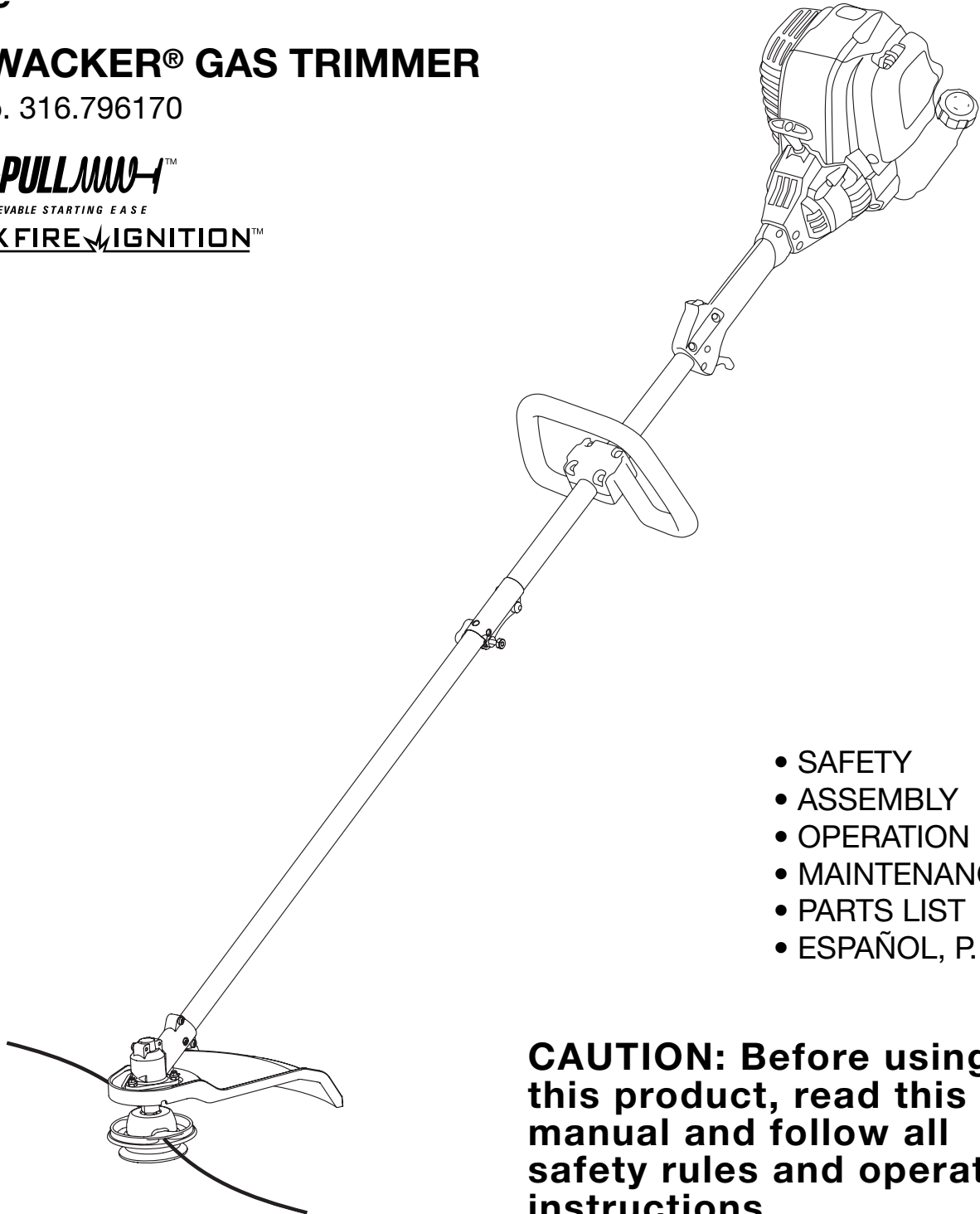
WEEDWACKER® GAS TRIMMER

Model No. 316.796170

INCREDI-PULL™

UNBELIEVABLE STARTING EASE

with **MAXFIRE**  **IGNITION**™



- SAFETY
- ASSEMBLY
- OPERATION
- MAINTENANCE
- PARTS LIST
- ESPAÑOL, P. 17

CAUTION: Before using this product, read this manual and follow all safety rules and operating instructions.

Sears, Roebuck and Co., Hoffman Estates, IL 60179, U.S.A.
Visit our website: www.sears.com/craftsman

RULES FOR SAFE OPERATION

CALIFORNIA PROPOSITION 65 WARNING




 WARNING 
THE ENGINE EXHAUST FROM THIS PRODUCT CONTAINS CHEMICALS KNOWN TO THE STATE OF CALIFORNIA TO CAUSE CANCER, BIRTH DEFECTS OR OTHER REPRODUCTIVE HARM.

TABLE OF CONTENTS

Rules for Safe Operation	2
Warranty Information	4
Assembly Instructions	5
Know Your Unit	5
Oil and Fuel Information	6
Starting/Stopping Instructions	7
Operating Instructions	8
Maintenance and Repair Instructions	10
Cleaning and Storage	13
Troubleshooting Chart	14
Specifications	14
Repair Protection Agreement	15
Parts List	32
Service Numbers	Backcover

SPARK ARRESTOR NOTE

NOTE: For users on U.S. Forest Land and in the states of California, Maine, Oregon and Washington. All U.S. Forest Land and the state of California (Public Resources Codes 4442 and 4443), Oregon and Washington require, by law that certain internal combustion engines operated on forest brush and/or grass-covered areas be equipped with a spark arrestor, maintained in effective working order, or the engine be constructed, equipped and maintained for the prevention of fire. Check with your state or local authorities for regulations pertaining to these requirements. Failure to follow these requirements could subject you to liability or a fine. **This unit is factory equipped with a spark arrestor.** If it requires replacement, ask a Sears or other qualified service dealer to install the **Accessory Part #753-05297 Spark Arrestor Kit.**


	WARNING: When using the unit, you must follow the safety rules. Please read these instructions before operating the unit in order to ensure the safety of the operator and any bystanders. Please keep these instructions for later use.
---	---

All information, illustrations, and specifications in this manual are based on the latest product information available at the time of printing. We reserve the right to make changes at any time without notice.

• IMPORTANT SAFETY INSTRUCTIONS •

READ ALL INSTRUCTIONS BEFORE OPERATING

- Read the instructions carefully. Be familiar with the controls and proper use of the unit.
- Do not operate this unit when tired, ill, or under the influence of alcohol, drugs, or medication.
- Children and teens under the age of 15 must not use the unit, except for teens guided by an adult.
- All guards and safety attachments must be installed properly before operating the unit.
- Inspect the unit before use. Replace damaged parts. Check for fuel leaks. Make sure all fasteners are in place and secure. Replace parts that are cracked, chipped, or damaged in any way. Do not operate the unit with loose or damaged parts.
- Use only Hassle Free™ XRTA QUIET Spiral Line. Never use metal-reinforced line, wire or rope. These can break off and become dangerous projectiles.
- Be aware of risk of injury to the head, hands and feet.
- Clear the area to be cut before each use. Remove rocks, broken glass, nails, wire, string and other objects which may be thrown or become entangled in the cutting attachment. Clear the area of children, bystanders and pets; keep them outside a 50-foot (15 m) radius, at a minimum. Even then, they are still at risk from thrown objects. Encourage bystanders to wear eye protection. If you are approached, stop the unit immediately.
- Squeeze the throttle control and check that it returns automatically to the idle position. Make all adjustments or repairs before using unit.

	WARNING: Gasoline is highly flammable, and its vapors can explode if ignited. Take the following precautions:
---	--

FUEL SAFETY WARNINGS FOR GAS UNITS

- Store fuel only in containers specifically designed and approved for the storage of such materials.

- Avoid creating a source of ignition for spilled fuel. Do not start the engine until fuel vapors dissipate.
- Always stop the engine and allow it to cool before filling the fuel tank. Never remove the fuel tank cap or add fuel when the engine is hot. Never operate the unit without the fuel cap securely in place. Loosen the fuel tank cap slowly to relieve any pressure in the tank.
- Add fuel in a clean, well-ventilated outdoor area where there are no sparks or flames. Remove the fuel cap slowly, and only after the engine stops. Do not smoke while fueling. Wipe up any spilled fuel from the unit immediately.
- Move the unit at least 30 feet (9.1 m) from the fueling source and site before starting the engine. Do not smoke. Keep sparks and open flames away from the area while adding fuel or operating the unit.

WHILE OPERATING

- Never start or run the unit inside a closed room or building. Breathing exhaust fumes can be fatal. Operate this unit only in a well-ventilated outdoor area.
- Wear safety glasses or goggles that meet ANSI Z87.1 standards and are marked as such. Wear ear/hearing protection when operating this unit. Wear a face or dust mask if the operation is dusty.
- Wear heavy long pants, boots, gloves and a long sleeve shirt. Do not wear loose clothing, jewelry, short pants, sandals or go barefoot. Secure hair above shoulder level.
- The cutting attachment shield must always be in place while operating the unit as a trimmer. Do not operate unit without both trimming lines extended, and the proper line installed. Do not extend the trimming line beyond the length of the shield.
- This unit has a clutch. The cutting attachment remains stationary when the engine is idling. If it does not, take the unit to a Sears or other qualified service dealer for an adjustment.
- Adjust the D-handle to your size in order to provide the best grip.
- Be sure the cutting attachment is not in contact with anything before starting the unit.

RULES FOR SAFE OPERATION

- Use the unit only in daylight or good artificial light.
- Avoid accidental starting. Be in the starting position whenever pulling the starter rope. The operator and unit must be in a stable position while starting. Refer to *Starting/Stopping Instructions*.
- Use the right tool. Only use this tool for its intended purpose.
- Do not overreach. Always keep proper footing and balance.
- Always hold the unit with both hands when operating. Keep a firm grip on both handles or grips.
- Keep hands, face, and feet at a distance from all moving parts. Do not touch or try to stop the cutting attachment when it rotates.
- Do not touch the engine, gear housing or muffler. These parts get extremely hot from operation, even after the unit is turned off.
- Do not operate the engine faster than the speed needed to cut, trim or edge. Do not run the engine at high speed when not cutting.
- Always stop the engine when cutting is delayed or when walking from one cutting location to another.
- If you strike or become entangled with a foreign object, stop the engine immediately and check for damage. Do not operate before repairing damage. Do not operate the unit with loose or damaged parts.
- Stop the unit, switch the engine to off, and disconnect the

- spark plug for maintenance or repair.
- Use only replacement parts or accessories recommended for this tool that are distributed by Sears or a Craftsman outlet. Use of any replacement parts or accessories purchased elsewhere may be hazardous, and will also void your warranty.
- Keep unit clean of vegetation and other materials. They may become lodged between the cutting attachment and shield.
- To reduce fire hazard, replace a faulty muffler and spark arrester. Keep the engine and muffler free from grass, leaves, excessive grease or carbon build up.

OTHER SAFETY WARNINGS

- Never store the unit with fuel in the tank, inside a building where fumes may reach an open flame (pilot lights, etc.) or sparks (switches, electrical motors, etc.).
- Allow the engine to cool before storing or transporting. Be sure to secure the unit while transporting.
- Store the unit in a dry area, locked up or up high to prevent unauthorized use or damage, out of the reach of children.
- Never douse or squirt the unit with water or any other liquid. Keep handles dry, clean and free from debris. Clean after each use, see *Cleaning and Storage Instructions*.
- Keep these instructions. Refer to them often and use them to instruct other users. If you loan someone this unit, also loan them these instructions.

SAVE THESE INSTRUCTIONS

SAFETY AND INTERNATIONAL SYMBOLS

This operator's manual describes safety and international symbols and pictographs that may appear on this product. Read the operator's manual for complete safety, assembly, operating and maintenance and repair information.

SYMBOL	MEANING
	<ul style="list-style-type: none"> • SAFETY ALERT SYMBOL Indicates danger, warning or caution. May be used in conjunction with other symbols or pictographs.
	<ul style="list-style-type: none"> • WARNING - READ OPERATOR'S MANUAL Read the operator's manual(s) and follow all warnings and safety instructions. Failure to do so can result in serious injury to the operator and/or bystanders.
	<ul style="list-style-type: none"> • WEAR EYE AND HEARING PROTECTION WARNING: Thrown objects and loud noise can cause severe eye injury and hearing loss. Wear eye protection meeting ANSI Z87.1 standards and ear protection when operating this unit. Use a full face shield when needed.
	<ul style="list-style-type: none"> • HOT SURFACE WARNING Do not touch a hot muffler, gear housing or cylinder. You may get burned. These parts get extremely hot from operation. They remain hot for a short time after the unit is turned off.
	<ul style="list-style-type: none"> • UNLEADED FUEL Always use clean, fresh unleaded fuel
	<ul style="list-style-type: none"> • OIL Refer to operator's manual for the proper type of oil.

SYMBOL	MEANING
	<ul style="list-style-type: none"> • KEEP BYSTANDERS AWAY WARNING: Keep all bystanders, especially children and pets, at least 50 feet (15 m) from the operating area.
	<ul style="list-style-type: none"> • CHOKE CONTROL <ol style="list-style-type: none"> 1. • FULL choke position 2. • PARTIAL choke position 3. • RUN choke position
	<ul style="list-style-type: none"> • THROWN OBJECTS AND ROTATING CUTTER CAN CAUSE SEVERE INJURY WARNING: Do not operate without the cutting attachment shield in place. Keep away from the rotating cutting attachment.
	<ul style="list-style-type: none"> • SHARP BLADE WARNING: Sharp blade on cutting attachment shield. To prevent serious injury, do not touch the line cutting blade.
	<ul style="list-style-type: none"> • ON/OFF STOP CONTROL ON / START / RUN
	<ul style="list-style-type: none"> • ON/OFF STOP CONTROL OFF or STOP

WARRANTY STATEMENT

CRAFTSMAN TWO-YEAR LIMITED WARRANTY

If this Craftsman product fails due to a defect in material or workmanship within two years from the date of purchase, return it to any Sears store, Sears Service Center, or other Craftsman outlet in the United States for free repair. This warranty does not include:

- Expendable items which can wear out from normal use within the warranty period, such as cutting line, air cleaner or spark plug..
- Repairs necessary because of operator abuse or negligence and the failure to operate or maintain the equipment according to all supplied instructions.

This warranty applies for only 90 days if this product is ever used for commercial or rental purposes. This warranty applies only while this product is used in the United States. This warranty gives you specific legal rights, and you may also have other rights which vary from state to state.

Sears, Roebuck and Co., Hoffman Estates, IL 60179

Owner's Warranty Responsibilities

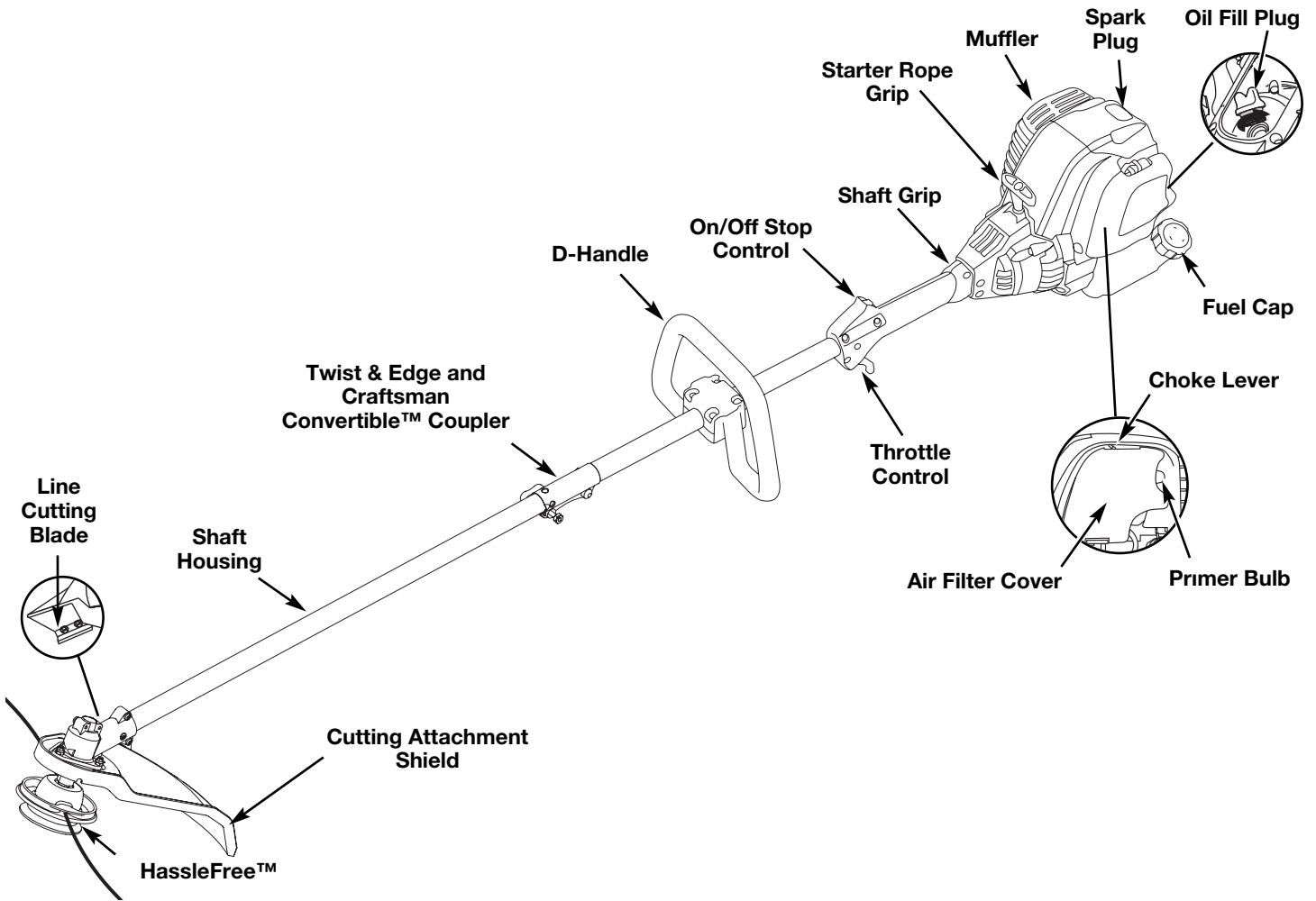
- As the small off-road engine owner, you are responsible for the performance of the required maintenance listed in your operator's manual. Sears recommends that you retain all receipts covering maintenance on your small off-road engine, but Sears cannot deny warranty solely for the lack of receipts or for your failure to ensure the performance of all scheduled maintenance.
- As the small off-road engine owner, you should however be aware that Sears may deny you warranty coverage if your small off-road engine or a part has failed due to abuse, neglect, improper maintenance or unapproved modifications.
- You are responsible for presenting your small off-road engine to a Sears authorized service center as soon as problem exists. The warranty repairs should be completed in a reasonable amount of time, not to exceed 30 days.

If you have any questions regarding your warranty rights and responsibilities, you should call **1-800-4-MY-HOME®**.

Manufacturer's Warranty Coverage

- The warranty period begins on the date the engine or equipment is delivered to the retail purchaser.
- The manufacturer warrants to the initial owner and each subsequent purchaser, that the engine is free from defects in material and workmanship which cause the failure of a warranted part for a period of two years.
- Repair and replacement of warranted part will be performed at no charge to the owner at an authorized Sears service center. For the nearest location please contact Sears at: **1-800-4-MY-HOME®**.
- Any warranted part which is not scheduled for replacement, as required maintenance or which is scheduled only for regular inspection to the effect of "Repair or Replace as Necessary" is warranted for the period. Any warranted part which is scheduled for replacement as required maintenance will be warranted for the period of time up to the first scheduled replacement point for that part.
- The owner will not be charged for diagnostic labor which leads to the determination that a warranted part is defective if the diagnostic work is performed at an authorized Sears Service Center.
- The manufacturer is liable for damages to other engine components caused by the failure of a warranted part still under warranty.
- Failures caused by abuse, neglect or improper maintenance are not covered under warranty.
- The use of add-on or modified parts can be grounds for disallowing a warranty claim. The manufacturer is not liable to cover failures of warranted parts caused by the use of add-on or modified parts.
- In order to file a claim, go to your nearest authorized Sears Service Center. Warranty service or repairs will be provided at all authorized Sears Service Centers.
- Any manufacturer approved replacement part may be used in the performance of any warranty maintenance or repair of emission related parts and will be provided without charge to the owner. Any replacement part that is equivalent in performance or durability may be used in non-warranty maintenance or repair and will not reduce the warranty obligations of the manufacturer.
- The following components are included in the emission related warranty: engine, air filter, carburetor, primer, fuel lines, fuel pick up/fuel filter, ignition module, spark plug and muffler.

KNOW YOUR UNIT



ASSEMBLY INSTRUCTIONS

INSTALLING AND ADJUSTING THE D-HANDLE

1. Remove the screws and bottom clamp piece that were installed on the D-handle for shipping.
2. Place D-handle the over the shaft housing and onto the bottom clamp (Fig. 1). Place it a minimum of 6 inches (15.24 cm) from the end of the shaft grip.
3. Start screws with a large Flat-head or T-25 Torx screwdriver. Do not tighten until you make the handle adjustment.
4. If the D-handle was pre-installed, loosen the screws on the handle just enough to move it.
5. While holding the unit in the operating position (Fig. 13), position the D-handle to the location that provides you the best grip.

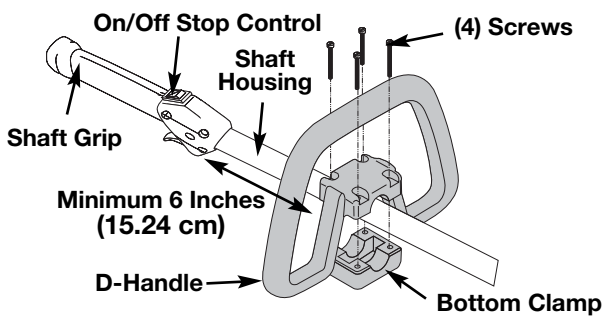


Fig. 1

6. Tighten the clamp screws evenly, until the D-handle is secure.

INSTALL LINE TRIMMER ATTACHMENT

NOTE: To make installation easier, place the unit on the ground or on a workbench.

1. Turn knob counterclockwise to loosen coupler (Fig. 15, p. 8).
2. While firmly holding attachment, push it straight into the coupler until the release button snaps into the primary hole (Fig. 16, p. 9).

NOTE: Aligning the release button with the guide recess (Fig. 16, p. 9) will help installation.

3. Turn the knob clockwise to tighten.

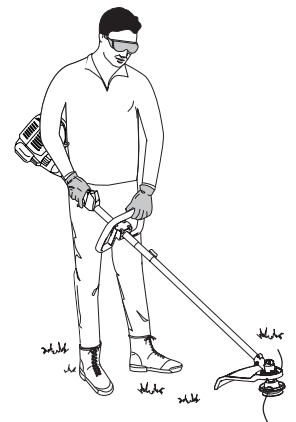


Fig. 2

LINE TRIMMER APPLICATIONS

Cutting grass and light weeds; edging; and decorative trimming around trees, fences, etc.

OIL AND FUEL INFORMATION



WARNING: OVERFILLING OIL CRANKCASE MAY CAUSE SERIOUS PERSONAL INJURY. Check and maintain the proper oil level in the crank case; it is important and cannot be overemphasized. Check the oil before each use and change it as needed. See *Changing the Oil*.

RECOMMENDED OIL TYPE

Using the proper type and weight of oil in the crankcase is extremely important. Check the oil before each use and change the oil regularly. Failure to use the correct oil, or using dirty oil, can cause premature engine wear and failure.

Use a high-quality SAE 30 weight oil of API (American Petroleum Institute) service class SF, SG, SH.

ADDING OIL TO CRANKCASE: INITIAL USE

NOTE: This unit is shipped without oil. In order to avoid damage to the unit, put oil in the crankcase before you attempt to start the unit.

Your unit is supplied with one 3.04 fluid oz. (90 ml.) bottle of SAE 30 SF, SG, SH oil (Fig. 3).

NOTE: Save the empty oil bottle. It can be used to measure the correct amount during future oil changes. See *Changing the Oil*.

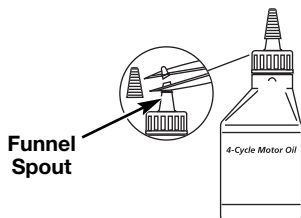


Fig. 3

1. Unscrew the top of the bottle of oil and remove the paper seal covering the opening. Replace the top. Next, cut the tip off the funnel spout (Fig. 3).

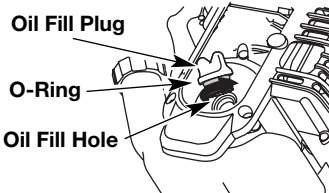


Fig. 4

2. Tip unit so that the back of the engine is facing up in a vertical position.
3. Remove the oil fill plug from the crankcase (Fig. 4).
4. Pour the entire bottle of oil into the oil fill hole (Fig. 5).

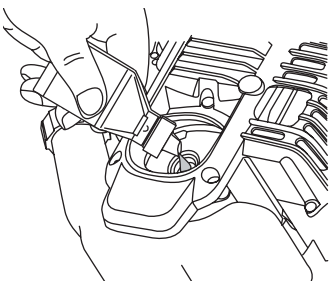


Fig. 5

NOTE: Never add oil to the fuel or fuel tank.

5. Wipe up any oil that may have spilled and reinstall the oil fill plug.

Check oil before each use and change as needed. Refer to *Checking the Oil Level*.

RECOMMENDED FUEL TYPE

Old fuel is the primary reason for improper unit performance. Be sure to use fresh, clean, unleaded gasoline.

NOTE: This is a four cycle engine. In order to avoid damage to the unit, do not mix oil with gasoline.

Definition of Blended Fuels

Today's fuels are often a blend of gasoline and oxygenates such as ethanol, methanol or MTBE (ether). Alcohol-blended fuel absorbs water. As little as 1% water in the fuel can form acids when stored. Use fresh fuel (less than 60 days old), when using alcohol-blended fuel.

Using Blended Fuels

If you choose to use a blended fuel, or its use is unavoidable, follow recommended precautions:

- Always use fresh unleaded gasoline
- Use a gas stabilizer fuel additive
- Drain tank and run the engine dry before storing unit

Using Fuel Additives

The use of a gas stabilizer will inhibit corrosion and minimize the formation of gum deposits. Using a fuel additive can keep fuel from forming harmful deposits in the carburetor for up to six (6) months. Add 0.8 oz. (23 ml.) of fuel additive per gallon of fuel according to the instructions on the container. NEVER add fuel additives directly to the unit's gas tank.



WARNING: Add fuel in a clean, well ventilated outdoor area. Wipe up any spilled fuel immediately. Avoid creating a source of ignition for spilt fuel. Do not start the engine until fuel vapors dissipate.



WARNING: Gasoline is extremely flammable. Ignited vapors may explode. Always stop the engine and allow it to cool before filling the fuel tank. Do not smoke while filling the tank. Keep sparks and open flames at a distance from the area.

FUELING THE UNIT

1. Remove the fuel cap (Fig. 6).



WARNING: Remove fuel cap slowly to avoid injury from fuel spray. Never operate the unit without the fuel cap securely in place.

2. Place the gas container's spout into the fill hole on the fuel tank (Fig. 5) and fill the tank.

NOTE: Do not overfill the tank.

3. Wipe up any gasoline that may have spilled.
4. Reinstall the fuel cap.
5. Move the unit at least 30 ft. (9.1 m) from the fueling source and site before starting the engine.

NOTE: Dispose of the old gasoline in accordance with Federal, State and Local regulations.

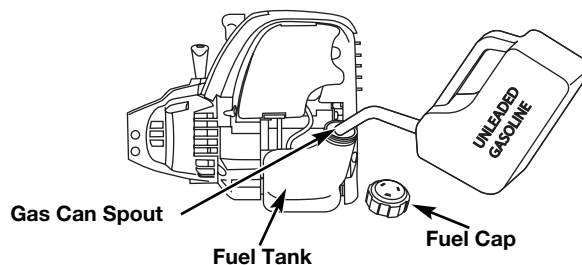


Fig. 6

STARTING/STOPPING INSTRUCTIONS



WARNING: Operate this unit only in a well-ventilated outdoor area. Carbon monoxide exhaust fumes can be lethal in a confined area.



WARNING: Avoid accidental starting. Make sure you are in the starting position when pulling the starter rope (Fig. 8). To avoid serious injury, the operator and unit must be in a stable position while starting.

STARTING INSTRUCTIONS

1. Check the oil level in the crankcase. Refer to Checking the Oil Level.
2. Fill the fuel tank with fresh, clean unleaded gasoline. Refer to Fueling the Unit.

NOTE: There is no need to turn the unit on. The On/Off Stop Control is in the ON (1) position at all times.

3. Fully press and release the primer bulb 10 times, slowly. Some amount of **fuel should be visible in the primer bulb and fuel lines** (Fig. 8). If you can't see fuel in the bulb, press and release the bulb as many times as it takes before you can see fuel in it.
4. Place the choke lever in **Position 1** (Fig. 8).
5. Crouch in the starting position (Fig. 9). Squeeze the throttle control lever. Pull the starter rope out with a slow and steady motion 5 times.
6. Place the choke lever in **Position 2** (Fig. 8).
7. While squeezing the throttle control, pull the starter rope out with a slow and steady motion 1 to 4 times to start the engine.
8. Keep the throttle squeezed and allow the engine to warm up for 15 to 30 seconds.
9. Place the choke lever in **Position 3** (Fig. 8). The unit is ready for use.

IF... The engine does not start, go back to step 3.

IF... The engine fails to start after a few attempts, place the choke lever in **Position 3** and squeeze the throttle control. Pull the starter rope out with a slow and steady motion 3 to 8 times, the engine should start. If not, pull 3 to 8 more times.

NOTE: The unit uses the **Incredi-Pull™** starting system with **MAX FIRE IGNITION™**, which significantly reduces the effort required to start the engine. You must pull the starter rope out far enough to hear the engine attempt to start. There is no need to pull the rope briskly-- there is no harsh resistance when pulling. Be aware that this starting method is vastly different from (and much easier than) what you may be used to.

STOPPING INSTRUCTIONS

1. Release your hand from the throttle control. Allow the engine to cool down by idling.
2. Press and hold On/Off Stop Control in the OFF (O) position until engine comes to a complete stop (Fig. 7)

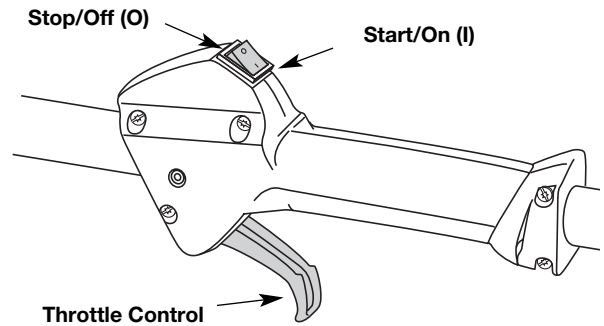


Fig. 7

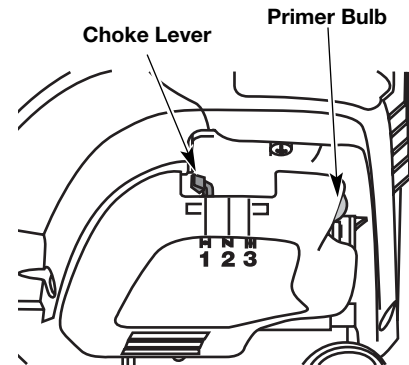


Fig. 8

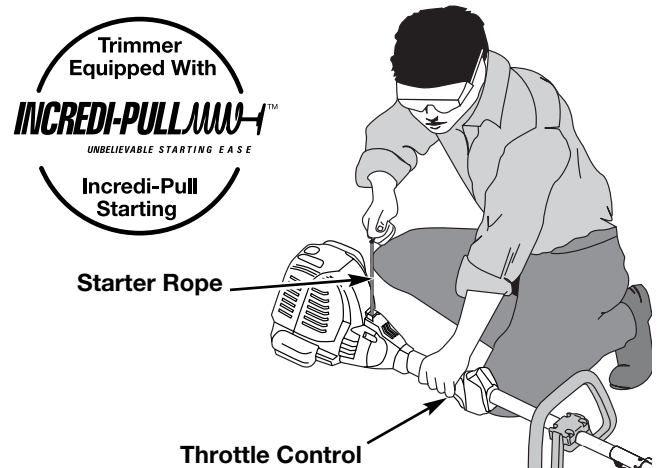


Fig. 9

OPERATING INSTRUCTIONS



WARNING: Always wear eye, hearing, foot and body protection to reduce the risk of injury when operating this unit.

HOLDING THE TRIMMER

Before operating the unit, stand in the operating position (Fig. 10). Check for the following:

- The operator is wearing eye protection and proper clothing
- With a slightly-bent right arm, the operator's right hand is holding the shaft grip
- The operator's left arm is straight, the left hand holding the assist handle
- The unit is at waist level
- The cutting attachment is parallel to the ground and easily contacts the grass without the need to bend over

LINE REPLACEMENT

for Hassle-Free™ Cutting Head

Always use Craftsman Hassle-Free™ XTRA QUIET Spiral Line. Choose the line size best suited for the job at hand. Red colored line is designed for cutting grass and small weeds. Black colored line is designed for cutting larger weeds and light brush.

NOTE: Before inserting new line into the holes in the cutting head, identify the proper holes. Follow directions as shown on the line glide plate. Do Not attempt to remove the cutting head from the unit when replacing line.

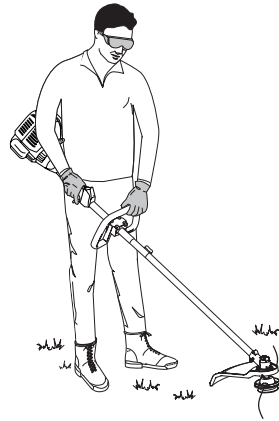


Fig. 10



WARNING: Do not remove or alter the line cutting blade assembly. Excessive line length will make the clutch overheat. This may lead to serious personal injury or damage to the unit.

1. Remove the old line and line glide plate from the cutting head.

2. Clean entire surface of cutting head. Note positions "A" and "B" on the cutting head.

3. Reinstall line glide plate (Fig. 11). Align arrow with:

"A" when using medium (red) or large (black) line, or

"B" when using lines with diameters smaller than medium (red) line

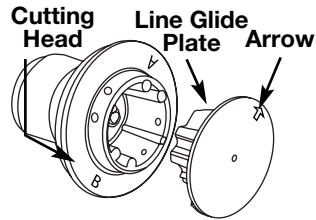


Fig. 11

NOTE: Line glide plate must be reinstalled in cutting head before inserting new line.

4. Insert both ends of your line through the proper holes in the side of the cutting head (Fig. 12).

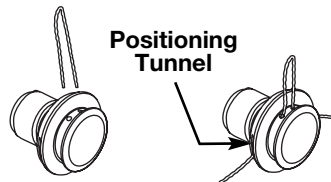


Fig. 12

5. Pull the line and make sure the line is against the hub and is fully extended through the positioning tunnels (Fig. 13).

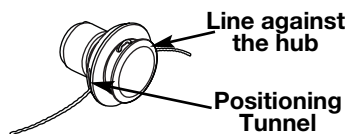


Fig. 13

6. Correctly installed line will be the same length on both sides.

NOTE: Do not rest the Hassle-Free™ Cutting Head on the ground while the unit is running.

Some line breakage will occur from:

- Entanglement with foreign matter
- Normal line fatigue
- Attempting to cut thick, stalky weeds
- Forcing the line into objects such as walls or fence posts

TIPS FOR BEST TRIMMING RESULTS

- For best trimming results, operate unit at full throttle.
- Keep the cutting attachment parallel to the ground.
- Do not force the cutting attachment. Allow the tip of the line to do the cutting, especially along walls. Cutting with more than the tip will reduce cutting efficiency and may overload the engine.
- Cut grass over 8 inches (200 mm) by working from top to bottom in small increments to avoid premature line wear or engine drag.
- Cutting from right to left improves the unit's cutting efficiency. Clippings are thrown away from the operator.
- Slowly move the trimmer into and out of the cutting area at the desired height. Move either in a forward-backward or side-to-side motion. Cutting shorter lengths produces the best results.
- Trim only when grass and weeds are dry.
- The life of your cutting line is dependent upon proper adherence of explained trimming techniques, what vegetation is cut, and where vegetation is cut.

For example, the line will wear faster when trimming against a foundation wall as opposed to trimming around a tree.

DECORATIVE TRIMMING

Decorative trimming is accomplished by removing all vegetation around trees, posts, fences and more.

Rotate the whole unit so that the cutting attachment is at a 30° angle to the ground (Fig. 14).

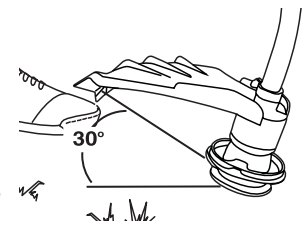


Fig. 14

USING THE TWIST AND EDGE™ FEATURE



WARNING: Before you begin using any attachment, read and understand the manual that came with the attachment. Follow all safety information contained within.



WARNING: To avoid serious personal injury and damage to the unit, shut the unit off before removing or installing add-ons.

You can convert this unit to edge grass.

1. Make sure the unit is turned completely off.
2. Turn the knob counterclockwise to loosen coupler (Fig. 15).
3. Push in the release button (Fig. 16) and twist the shaft 90° until the release button snaps into the 90° hole (Fig. 15).
4. Turn the knob clockwise to lock the coupler (Fig. 17).

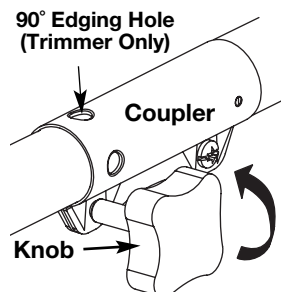


Fig. 15

OPERATING INSTRUCTIONS

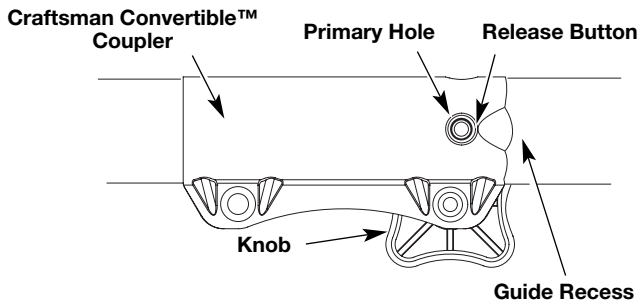


Fig. 16

CRAFTSMAN CONVERTIBLE™ FEATURE

The coupler allows you to convert this unit for use with the following add-on attachments:

- Cultivator
- Blade Edger
- Blower
- Brush Cutter
- Pruner

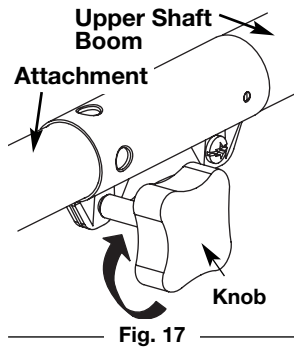


Fig. 17

To Install Attachments

NOTE: To make installation easier, place the unit on the ground or on a workbench.

1. Make sure the unit is turned completely off.
2. Turn the knob counterclockwise to loosen the coupler (Fig. 15).
3. While firmly holding the attachment, push it straight into the coupler until the release button (Fig. 16) snaps into the primary hole (Fig. 16). The primary hole is on the opposite side of the coupler from the knob (Fig. 16). Align the release button with the Guide Recess (Fig. 16) to help installation.
4. Turn the knob clockwise to tighten.



CAUTION: Before operating this unit, be sure that the release button is fully snapped into the primary hole (Fig. 16), and that the knob (Fig. 17) is securely tightened.

To Remove Attachments

1. Make sure the unit is turned completely off
2. Turn the knob counterclockwise to loosen the coupler.
3. Press and hold the release button (Fig. 16).
4. While firmly holding the upper shaft boom (Fig. 17), pull the attachment out of the coupler.



CAUTION: These add-on attachments are to be snapped into the primary hole only. Using the wrong hole could lead to personal injury or damage to the unit.

MAINTENANCE AND REPAIR INSTRUCTIONS



WARNING: To prevent serious injury, never perform maintenance or repairs with unit running. Always service and repair a cool unit. Disconnect the spark plug wire to ensure that the unit cannot start.

MAINTENANCE SCHEDULE

Perform these required maintenance procedures at the frequency stated in the table. These procedures should also be a part of any seasonal tune-up.

NOTE: Some maintenance procedures may require special tools or skills. If you are unsure about these procedures take your unit to a Sears or other qualified service dealer.

FREQUENCY	MAINTENANCE REQUIRED	SEE
Before starting engine	Fill fuel tank with fresh fuel Check oil	p. 6 p. 10
Every 10 hours	Clean and re-oil air filter	p. 11
1st change at 10 hours 2nd change at 25 hours Every 25 hours after	Change oil Change oil Clean spark arrestor	p. 10 p. 10 p. 13
10 hours on new engine Every 25 hours Every 25 hours	Check rocker arm to valve clearance and adjust Check rocker arm to valve clearance and adjust Check spark plug condition and gap	p. 12 p. 12 p. 13

NOTE: Maintenance, replacement, or repair of the emission control devices and system may be performed by a Sears or other qualified service dealer.

In order to assure peak performance of your engine, inspection of the engine exhaust port may be necessary after 50 hours of operation. If you notice lost RPM, poor performance or general lack of acceleration, this service may be required. If you feel your engine is in need of this inspection, refer service to a Sears or other qualified service dealer for repair. **DO NOT** attempt to perform this process yourself as engine damage may result from contaminants involved in the cleaning process for the port.

CHECKING THE OIL LEVEL

The importance of checking and maintaining the proper oil level in the crankcase cannot be overemphasized. Check oil before each use:

1. Stop the engine and allow oil to drain into the crankcase.
2. Place the engine on an elevated, level surface with the cutting head shield hanging off the surface to get a proper oil level reading (Fig. 18).
3. Keep dirt, grass clippings and other debris out of the engine. Clean the area around the dipstick before removing it.

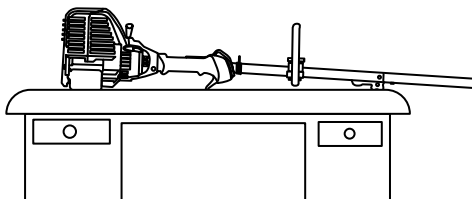


Fig. 18

4. Remove the oil fill plug.
5. Look into the oil fill hole, use a flashlight if needed. The oil should be just touching the inner most thread (Fig. 19).
6. If the oil level is not touching the inner most thread on the oil fill hole, add a small amount of oil to the oil fill hole and recheck (Fig. 19). Repeat this procedure until the oil level reaches the inner most thread on the oil fill hole.

NOTE: Do not overfill the unit.

NOTE: Make sure the O-ring is in place on the oil fill plug when checking and changing the oil (Fig. 20).

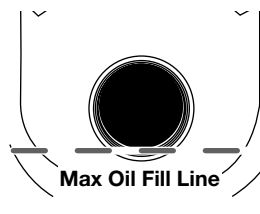


Fig. 19

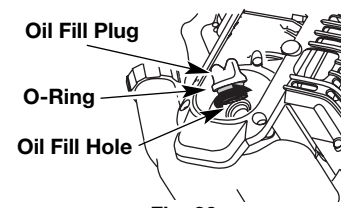


Fig. 20

CHANGING THE OIL



WARNING: Wear gloves to prevent injury when handling unit.

For a new engine, change the oil after the first 10 hours of operation. Change the oil while the engine is still warm. The oil will flow freely and carry away more impurities.

1. Unplug spark plug boot to prevent accidental starting.
2. Remove the oil fill plug.
3. Pour the oil out of the oil fill hole and into a container by tipping the unit to a vertical position (Fig. 21). Allow ample time for complete drainage.
4. Wipe up any oil residue on the unit and clean up any oil that may have spilled. Dispose of the oil according to Federal, State and local regulations.
5. Refill the crankcase with 3.04 fluid ounce (90 ml) or 3/8 cup of SAE 30 SF, SG, SH oil.

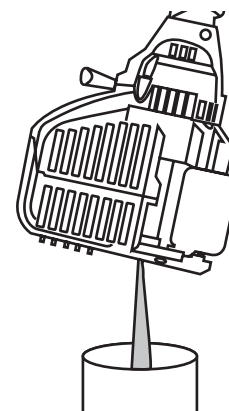


Fig. 21

MAINTENANCE AND REPAIR INSTRUCTIONS

NOTE: Use the bottle and spout saved from initial use to measure the correct amount of oil. The top of the label on the bottle measures approximately 3.04 ounces (90 ml) or 3/8 cup (Fig. 22). Check the level. See Checking the Oil Level. If the level is low, add a small amount of oil and recheck. Do not overfill (Fig. 22).

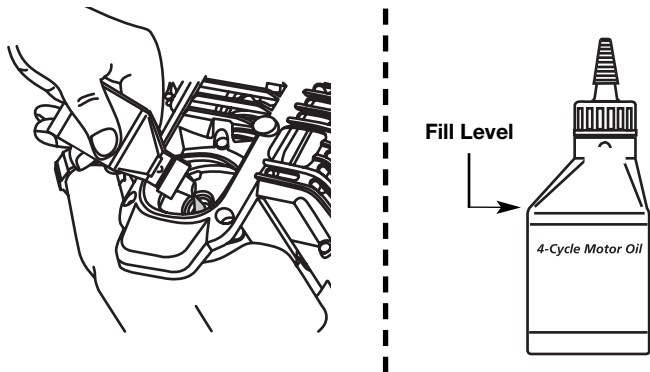


Fig. 22

6. Replace the oil fill plug.
7. Reconnect the spark plug boot.

AIR FILTER MAINTENANCE



WARNING: To avoid serious personal injury, always turn the unit off and allow it to cool before you clean or service it.

Cleaning the Air Filter

Clean and re-oil the air filter every 10 hours of operation. It is an important item to maintain. Failure to maintain your air filter properly can result in poor performance or can cause permanent damage to your engine.

1. Open the air filter cover. Push the tab on the under side of the cover inward. Then pull the air filter cover out and up. (Fig. 23).

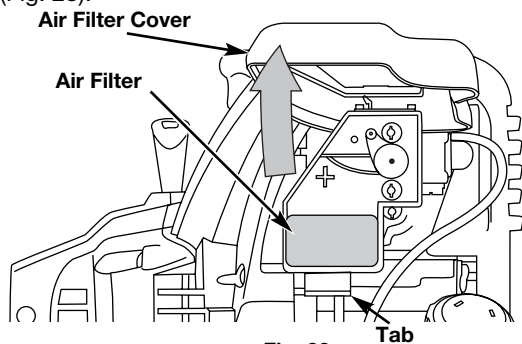


Fig. 23

2. Remove the air filter (Fig. 23).
3. Wash the filter in detergent and water (Fig. 24). Rinse the filter thoroughly and allow it to dry.
4. Apply enough clean SAE 30 motor oil to lightly coat the filter (Fig. 25).
5. Squeeze the filter to spread and remove excess oil (Fig. 26).
6. Replace the filter (Fig. 23).

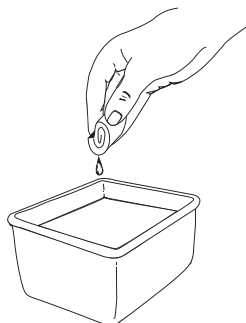


Fig. 24

NOTE: If the unit is operated without the air filter, you will VOID the warranty.

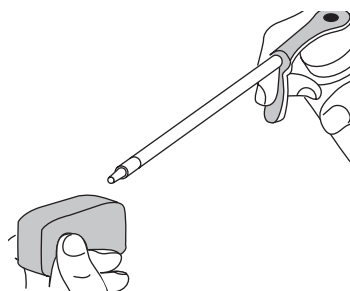


Fig. 25

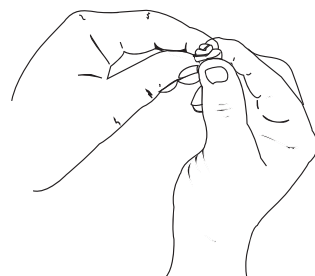


Fig. 26

7. Reinstall the air filter cover. Position the slots on the top of the air filter cover onto the tabs at the top of the back plate (Fig. 27).

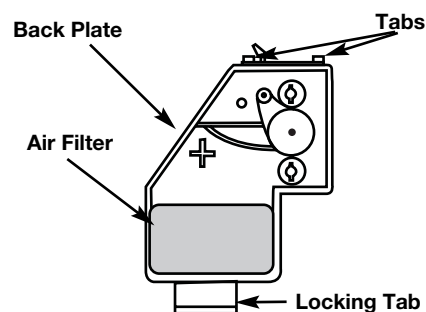


Fig. 27

8. Swing the cover down until the tab on the air filter backplate snaps into place in the slot on the air filter cover (Fig. 28).

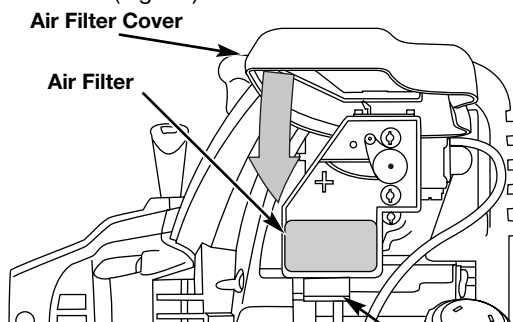


Fig. 28

CARBURETOR ADJUSTMENT

The idle speed of the engine is adjustable. An idle adjustment screw is between the air filter cover and the engine starter housing (Fig. 29).

NOTE: Careless adjustments can seriously damage your unit. A Sears or other qualified service dealer should make carburetor adjustments.

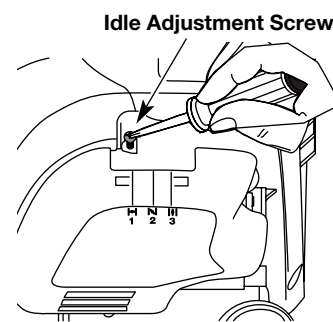


Fig. 29

Check Fuel

Old fuel is usually the reason for improper unit performance. Drain and refill the tank with fresh fuel prior to making any adjustments. Refer to Oil and Fuel Information.

Clean Air Filter

The condition of the air filter is important to the operation of the unit. A dirty air filter will restrict air flow. This is often mistaken for an out of adjustment carburetor. Check the condition of the air filter before adjusting the idle speed screw. Refer to Air Filter Maintenance.

MAINTENANCE AND REPAIR INSTRUCTIONS

Adjust Idle Speed Screw



WARNING: To prevent serious personal injury, make sure the cutting attachment has stopped rotating before you turn it off and set it down.

If, after checking the fuel and cleaning the air filter, the engine still will not idle, adjust the idle speed screw as follows:

1. Start the engine and let it run at a high idle for a minute to warm up. Refer to *Starting/Stopping Instructions*.
2. Release the throttle trigger and let the engine idle. If the engine stops, insert a small phillips screwdriver in between the Air Filter Cover and the Engine Cover (Fig. 29). Turn the idle speed screw in, clockwise, 1/8 of a turn at a time (as needed) until the engine idles smoothly.

NOTE: The cutting attachment should not rotate when the engine idles.

3. If the cutting attachment rotates when the engine idles, turn the idle speed screw counterclockwise 1/8 of a turn at a time (as needed), until the attachment stops turning.



WARNING: The cutting attachment may spin during idle speed adjustments. Wear protective clothing and observe all safety instructions to prevent serious personal injury.

Checking the fuel, cleaning the air filter, and adjusting the idle speed should solve most engine problems. If not and all of the following are true:

- the engine will not idle
- the engine hesitates or stalls on acceleration
- there is a loss of engine power

Have the carburetor adjusted by a Sears or other qualified service dealer.

ROCKER ARM CLEARANCE

This requires disassembly of the engine. If you feel unsure or unqualified to perform this, take the unit to a Sears or other qualified service dealer

NOTE: Inspect the valve to rocker arm clearance with a feeler gauge after the first 10 hours of operation and every 25 hours of operation.

- The engine must be cold when checking or adjusting the valve clearance.
 - This task should be performed inside, in a clean, dust free area.
1. Remove the six (6) screws on the back of the engine cover with a Flat-head or T-25 Torx screwdriver (Fig. 30).
 2. Disconnect the spark plug wire.
 3. Clean dirt from around the spark plug. Remove the spark plug from the cylinder head by turning a 5/8 in. socket counterclockwise.

View Of The Rear Engine Cover

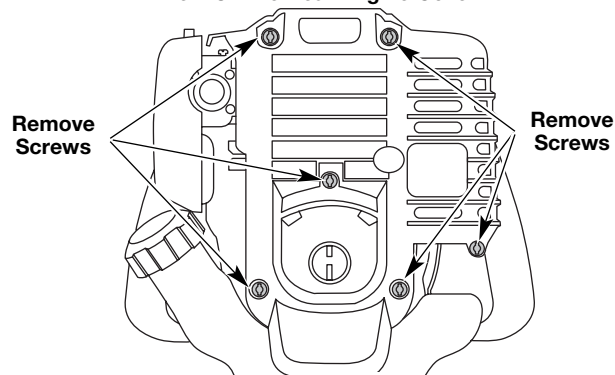


Fig. 30

4. Remove the engine cover (Fig. 30).
5. Clean dirt from around the rocker arm cover. Remove the screw holding the rocker arm cover with a large flat blade screwdriver or Torx T-25 bit (Fig. 31). Remove the rocker arm cover and gasket.
6. Pull the starter rope slowly to bring the piston to the top of its travel, (known as top dead center). Check that:

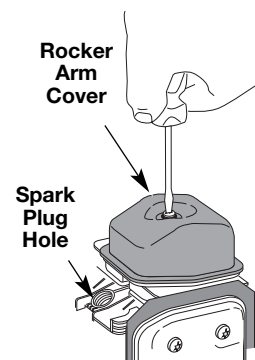


Fig. 31

- The piston is at the top of its travel while looking in the spark plug hole (Fig. 32)
 - Both rocker arms move freely, and both valves are closed.
- If these statements are not true, repeat this step.
7. Slide the feeler gauge between the rocker arm and the valve return spring. Measure the clearance between the valve stem and rocker arm (Fig. 32 & 33). Measure both the intake and exhaust valves.

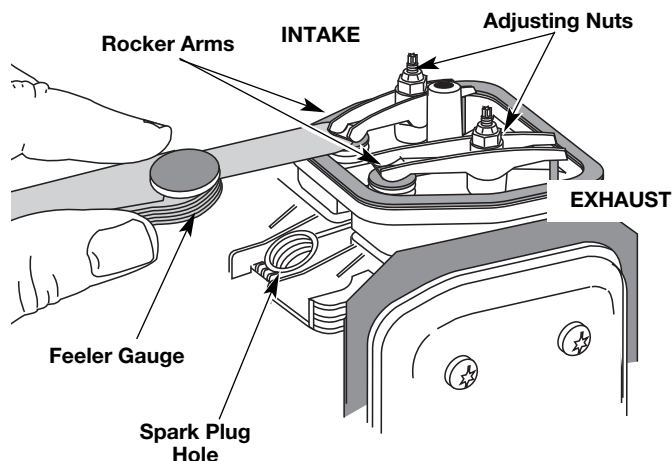


Fig. 32

The recommended clearance for both intake and exhaust is .003 – .006 in. (.076 – 0.152 mm). Use a standard automotive .005 in. (0.127 mm) feeler gauge. The feeler gauge should slide between the rocker arm and valve stem with a slight amount of resistance, without binding. See Figures 31 and 32.

8. If the clearance is not within specification:
 - a. Turn the adjusting nut using a 5/16 inch (8 mm) wrench or nut driver (Fig. 33).
 - To increase clearance, turn the adjusting nut counterclockwise.
 - To decrease clearance, turn the adjusting nut clockwise.
 - b. Recheck both clearances, and adjust as necessary.
9. Reinstall the rocker arm cover using a new gasket. Torque the screw to 20–30 in•lb (2.2–3.4 N•m).
10. Check the spark plug and reinstall. See *Replacing the Spark Plug*.
11. Replace the spark plug wire.

MAINTENANCE AND REPAIR INSTRUCTIONS

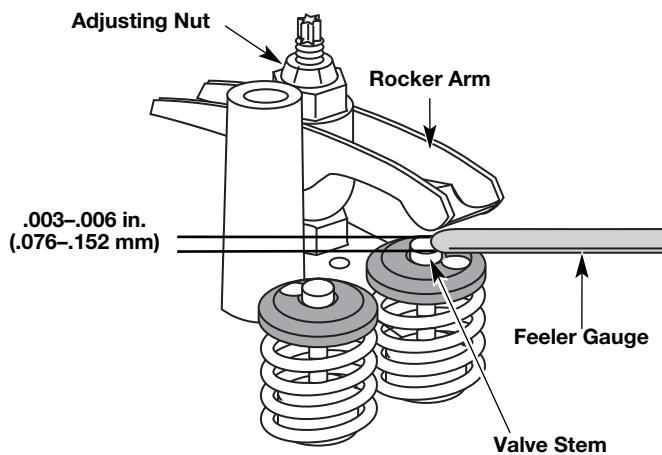


Fig. 33

12. Reinstall the engine cover. Check alignment of the cover before tightening the screws. Tighten screws.

REPLACING THE SPARK PLUG

Use a replacement part number 753-05255 or Champion spark plug, #RDZ19H. The correct air gap is **0.025 in. (0.635 mm)**.

Remove the plug after every 25 hours of operation and check its condition.

1. Stop the engine and allow it to cool. Remove the six (6) screws on the back of the engine cover with a Flat-head or T-25 Torx screwdriver (Fig. 30).

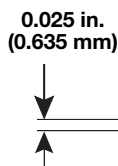


Fig. 34

2. Grasp the plug wire firmly and pull the cap from the spark plug.
3. Clean dirt from around the spark plug. Remove the spark plug from the cylinder head by turning a 5/8 in. socket counterclockwise.
4. Replace cracked, fouled or dirty spark plug. Set the air gap at **0.025 in. (0.635 mm)** using a feeler gauge (Fig. 34).
5. Install a correctly-gapped spark plug in the cylinder head. Turn the 5/8 in. socket clockwise until snug.



WARNING: Do not sand blast, scrape or clean electrodes. Grit in the engine could damage the cylinder.

If using a torque wrench torque to:
110-120 in. • lb. (12.3-13.5 N • m)

Do not over tighten.

SPARK ARRESTOR MAINTENANCE

1. Remove the rear engine cover. See *Rocker Arm Clearance*.
2. With a flat blade screwdriver or Torx T-20 bit and a T-25 bit, remove the screws attaching the spark arrester diverter to the muffler (Fig. 35).
3. Pull the the spark arrester diverter out of the muffler. Remove the spark arrester diverter.
4. Remove the spark arrester screen from the spark arrester diverter.



WARNING: To avoid serious personal injury, always turn your unit off and allow it to cool before you clean or service it.

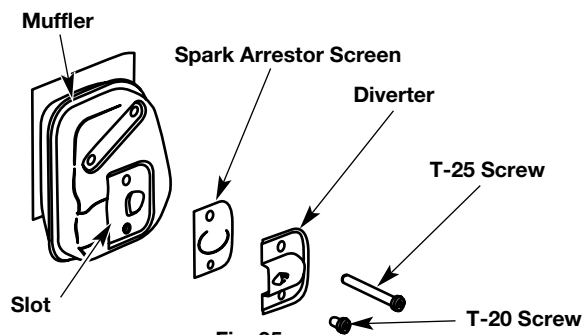


Fig. 35

5. Clean the spark arrester screen with a wire brush or replace it.
6. Reinstall the spark arrester screen, spark arrester diverter and screws.

CLEANING

Use a small brush to clean off the outside of the unit. Do not use strong detergents. Household cleaners that contain aromatic oils such as pine and lemon, and solvents such as kerosene, can damage plastic housing or handle. Wipe off any moisture with a soft cloth.

STORAGE

- Never store the unit with fuel in the tank where fumes may reach an open flame or spark.
- Allow the engine to cool before storing.
- Lock up the unit to prevent unauthorized use or damage.
- Store the unit in a dry, well-ventilated area.
- Store the unit out of the reach of children.

LONG TERM STORAGE

1. Drain all gasoline from the gas tank into a container. Do not use gas that has been stored for more than 60 days. Dispose of the old gasoline in accordance to Federal, State, and Local regulations.
2. Start the engine and allow it to run until it stalls. This ensures that all gasoline has been drained from the carburetor.
3. Allow the engine to cool. Remove the spark plug and put 5 drops of high quality motor oil into the cylinder. Pull the starter rope slowly to distribute the oil. Reinstall the spark plug.

NOTE: Remove the spark plug and drain all of the oil from the cylinder before attempting to start the trimmer after storage.

4. Change the oil, referring to Changing the Oil. Dispose of the old oil in accordance to Federal, State and Local regulations.
5. Thoroughly clean the unit and inspect for any loose or damaged parts. Repair or replace damaged parts and tighten loose screws, nuts or bolts. The unit is ready for storage.

TRANSPORTING

- Allow the engine to cool before transporting.
- Secure the unit while transporting.
- Drain the gas tank before transporting.
- Tighten gas cap before transporting.

Repair Protection Agreements

Congratulations on making a smart purchase. Your new Craftsman® product is designed and manufactured for years of dependable operation.

But like all products, it may require repair from time to time. That's when having a Repair Protection Agreement can save you money and aggravation.

Purchase a Repair Protection Agreement now and protect yourself from unexpected hassle and expense.

Here's what's included in the Agreement:

- Expert service by our 12,000 professional repair specialists
- Unlimited service and no charge for parts and labor on all covered repairs
- Product replacement if your covered product can't be fixed
- Discount of 10% from regular price of service and service-related parts not covered by the agreement; also, 10% off regular price of preventive maintenance check
- Fast help by phone – phone support from a Sears technician on products requiring in-home repair, plus convenient repair scheduling

Once you purchase the Agreement, a simple phone call is all that it takes for you to schedule service. You can call anytime day or night, or schedule a service appointment online.

Sears has over 12,000 professional repair specialists, who have access to over 4.5 million quality parts and accessories. That's the kind of professionalism you can count on to help prolong the life of your new purchase for years to come. Purchase your Repair Protection Agreement today!

Some limitations and exclusions apply.

For prices and additional information call **1-800-827-6655**.

Sears Installation Service

For Sears professional installation of home appliances, garage door openers, water heaters, and other major home items, in the U.S.A. call **1-800-4-MY-HOME®**

Convenios de Cobertura de Gastos para Reparaciones

Felicidades por haber hecho una compra inteligente. Su nuevo producto Craftsman está diseñado y fabricado para que opere de manera confiable durante años. Pero como todos los productos, pudiera necesitar una reparación cada cierto tiempo. Por eso el tener un Convenio de Cobertura de Gastos para Reparaciones puede ahorrarle dinero y disgustos.

Adquiera un Convenio de Cobertura de Gastos para Reparaciones ahora y protéjase de problemas y gastos inesperados.

He aquí lo que incluye el Convenio:

- **Servicio proporcionado** por nuestros 12.000 especialistas expertos en reparaciones profesionales
- **Servicio ilimitado sin cargos** por piezas ni mano de obra, en todas las reparaciones cubiertas
- **Reemplazo del producto**, si sus productos cubiertos no pueden arreglarse
- **Descuento del 10%** del precio regular del servicio y de piezas relacionadas con el servicio no cubiertas por el convenio; además, descuento del 10% del precio regular de los chequeos de mantenimiento preventivo
- **Ayuda rápida por teléfono:** apoyo telefónico por parte de un técnico de Sears en los productos que requieren reparación en el hogar, además de la programación de la reparación a una hora conveniente

Una vez que usted adquiera el Convenio, basta con una llamada telefónica para programar el servicio. Usted puede llamar a cualquier hora del día o de la noche, o programar por Internet una cita para el servicio.

Sears tiene más de 12.000 especialistas en reparaciones profesionales, que tienen acceso a más de 4,5 millones de piezas y accesorios de calidad. Ese es el tipo de profesionalismo con el que usted puede contar para ayudar a prolongar la vida útil de su nueva adquisición durante años. ¡Adquiera hoy mismo su Convenio de Cobertura de Gastos para Reparaciones!



Se aplican algunas limitaciones y exclusiones. Para precios e información adicional, llame al 1-800-827-6655.

Servicio de Instalación de Sears

Para la instalación por parte de profesionales de Sears de efectos electrodomésticos; abridores de puertas de garaje, calentadores de agua y demás artículos domésticos de mayor cuantía, en los EE.UU., llame al **1-800-4-MY-HOME®**.

NORMAS PARA UNA OPERACIÓN SEGURA

CALIFORNIA PROPOSITION 65 WARNING

**ADVERTENCIA**

LAS EMISIONES DEL MOTOR DE ESTE PRODUCTO CONTIENEN SUBSTANCIAS QUIMICAS QUE EL ESTADO DE CALIFORNIA CONOCE COMO CAUSANTES DE CANCER, DEFECTOS DE NACIMIENTO U OTROS DAÑOS REPRODUCTIVOS.

INDICE DE CONTENIDOS

Normas para una operación segura	17
Garantía	19
Conozca su unidad	20
Instrucciones de ensamble	20
Información del aceite y del combustible	21
Instrucciones de arranque y apagado	22
Instrucciones de operación	23
Instrucciones de mantenimiento y reparación	24
Limpieza y almacenamiento	28
Cuadro de solución de problemas	30
Especificaciones	30
Convenios de Cobertura de Gastos para Reparación	31
Lista de Piezas	32
Números de Servicio	Contraportada

PARACHISPAS

NOTA: Para los usuarios en tierras forestales de los EE.UU. y en los estados de California, Maine, Oregon y Washington.

Todos los terrenos forestales de los EE.UU. y el estado de California (Códigos de Recursos Públicos 4442 y 4443), Oregon y Washington, requieren por decreto, que ciertos motores de combustión interna que se hagan funcionar en zonas boscosas y/o zonas cubiertas por pastizales, estén equipados con un parachispas, que sean mantenidos en buen estado de funcionamiento o que el motor sea construido, esté equipado y sea mantenido para evitar incendios. Consulte los reglamentos pertinentes a esos requisitos con las autoridades estatales o locales. El incumplimiento de esos requisitos puede responsabilizarle o someterle a la imposición de una multa. **Esta unidad fue equipada en la fábrica con un parachispas. Si requiere sustitución, hay una Pantalla Parachispas disponible, Pieza # 753-05245** al contactar el departamento de servicio.



ADVERTENCIA: Al utilizar la unidad, debe observar las reglas de seguridad. Lea estas instrucciones antes de operar la unidad a fin de garantizar la seguridad del operador y cualquier transeúnte. Guarde estas instrucciones para uso posterior.

Toda la información, las ilustraciones y las especificaciones contenidas en este manual se basan en la información más reciente disponible en el momento de impresión del manual. Nos reservamos el derecho de hacer cambios en cualquier momento sin aviso previo.

• IMPORTANTE INFORMACION DE SEGURIDAD •

LEA TODAS LAS INSTRUCCIONES ANTES DE LA OPERACION

- Lea todas las instrucciones con cuidado. Conozca bien los controles y el uso correcto de la unidad.
- No opere esta unidad si está cansado, enfermo, o bajo los efectos del alcohol, drogas o medicamentos.
- Los niños y los adolescentes menores de 15 años no deben operar las unidades, excepto por los adolescentes guiados por un adulto.
- Inspeccione la unidad antes de utilizarla. Cambie las partes dañadas. Verifique si existen pérdidas de combustible. Asegúrese de que los sujetadores estén bien colocados y asegurados. Cambie las partes accesorias de corte que estén quebradas, cascadas o dañadas de cualquier forma. Asegúrese de que el accesorio de corte está bien instalado y ajustado con firmeza. Asegúrese de que la protección accesorio de corte esté bien conectada y colocada según se recomienda.
- Use siempre la línea de repuestos de 0,080 pulg del fabricante del equipo original. No use nunca línea reforzada con metal, alambre, cadena ni sogas, etc. Estas pueden desprenderse y convertirse en un proyectil peligroso.
- Tenga en cuenta el riesgo de lesiones en la cabeza, manos y pies.
- Limpie el área de corte antes de cada uso. Retire todos los objetos como rocas, vidrios rotos, clavos, alambre o cuerda los cuales pueden ser despedidos o enredarse en el accesorio de corte. Aleje a todos los niños, espectadores y animales domésticos. Mantenga todos los niños, espectadores y animales domésticos a un radio de por lo menos 15 m (50 pies); aún así puede existir un riesgo de objetos despedidos contra los espectadores. Los espectadores deben usar protección para sus ojos. Si alguien se le acerca, pare el motor y el accesorio de corte de inmediato.
- Oprima el control del regulador y verifique que regrese automáticamente a la posición de mínima. Haga todos los ajustes o reparaciones antes de usar la unidad.

ADVERTENCIAS DE SEGURIDAD PARA LOS RECORTADORES A GASOLINA

- Guarde el combustible en envases que hayan sido diseñados y aprobados para el almacenamiento de dichos materiales.



ADVERTENCIA: La gasolina es muy inflamable y sus gases pueden explotar si se encienden. Tome las siguientes precauciones:

- Antes de llenar el tanque de combustible, apague siempre el motor y espere que se enfríe. No retire nunca la tapa del tanque de combustible ni cargue combustible mientras el motor esté caliente. No opere nunca la unidad sin la tapa del combustible colocada firmemente en su lugar. Afloje la tapa del combustible lentamente para disipar la presión del tanque.
- Cargue el combustible en un área exterior bien ventilada donde no haya chispas ni llamas. Quite lentamente la tapa del combustible sólo después de apagar el motor. No fume mientras carga el combustible. Limpie de inmediato todo el combustible que se haya derramado.
- Evite crear una fuente de encendido por combustible derramado. No arranque el motor hasta que se hayan disipado los vapores del combustible.
- Aleje la unidad a por lo menos 9,1 m (30 pies), del lugar de carga de combustible antes de arrancar el motor. No fume, mantenga las chispas y las llamas abiertas lejos del área mientras carga el combustible u opera la unidad.

DURANTE LA OPERACION

- No arranque ni opere la unidad en una sala o edificio cerrado. Los gases de escape de monóxido de carbono pueden ser letales en un área cerrada. Opere esta unidad sólo en un área exterior bien ventilada.
- Use lentes o gafas de protección que cumplan con las normas ANSI Z87.1, y protección para sus oídos/audición mientras opere esta unidad. Use siempre una máscara facial o para protegerse contra el polvo si la operación levanta polvo.
- Use pantalones largos y gruesos, botas, guantes y camisa de manga larga. No use ropa holgada, alhajas, pantalones cortos, sandalias ni esté descalzo. Sostenga el cabello sobre el nivel de los hombros.
- La protección accesorio de corte debe estar siempre colocada en su lugar mientras opere la unidad. No opere la unidad con las dos líneas de corte extendidas, y la línea correcta instalada. No extienda la línea de corte más allá de la longitud de la protección.
- Esta unidad cuenta con un embrague. El accesorio de corte permanece estacionario cuando el motor está en marcha lenta. Si no lo hace, haga ajustar la unidad por un técnico de servicio autorizado.
- Ajuste la manija a su tamaño de modo que le brinde el mejor agarre.
- Asegúrese de que el accesorio de corte no está en contacto con ningún objeto antes de arrancar la unidad.

NORMAS PARA UNA OPERACIÓN SEGURA

- Use la unidad únicamente con la luz del día o con buena luz artificial.
- Evite arrancar la unidad accidentalmente. Colóquese en posición de inicio siempre que tire de la cuerda de arranque. El operador y la unidad deben estar en una posición estable al comenzar. Lea las instrucciones de Arranque y Apagado.
- Use la herramienta adecuada. No use esta unidad para ninguna tarea para la cual no ha sido diseñada.
- No se estire demasiado. Mantenga siempre una posición y equilibrio adecuados.
- Sostenga siempre la unidad con ambas manos mientras esté en funcionamiento. Sostenga con firmeza tanto el mango como la manija auxiliar.
- Mantenga las manos, la cara y los pies lejos de todas las partes móviles. No intente tocar ni detener el accesorio de corte mientras gira.
- No toque el motor, el bastidor del engranaje ni el silenciador. Estas partes se calientan mucho con la operación. Luego de apagar la unidad, permanecen calientes durante un tiempo breve.
- No opere el motor a una velocidad mayor que la necesaria para cortar, recortar o recortar los bordes. No haga funcionar el motor a alta velocidad mientras no está cortando.
- Apague siempre el motor cuando demore el corte o mientras camina entre zonas de corte.
- Si golpea o se enreda con algún objeto extraño, apague el motor de inmediato y verifique si hay daños. Repare todos los daños antes de volver a intentar operar la unidad. No opere la unidad si tiene piezas flojas o dañadas.
- Apague el motor para realizar todo el mantenimiento, reparaciones o cambio del accesorio de corte u otros accesorios.

SIMBOLOS DE SEGURIDAD E INTERNACIONALES

Este manual del operador describe los símbolos y figuras de seguridad e internacionales que pueden aparecer en este producto. Lea el manual del operador para obtener información completa acerca de la seguridad, ensamble, operación y mantenimiento y reparación.

SIMBOLO	SIGNIFICADO
	<ul style="list-style-type: none"> • SIMBOLO DE ALERTA DE SEGURIDAD Indica peligro, advertencia o precaución. Puede ser utilizado junto con otros símbolos o figuras.
	<ul style="list-style-type: none"> • ADVERTENCIA - LEA EL MANUAL DEL OPERADOR Lea el manual del operador y siga todas las advertencias e instrucciones de seguridad. De no hacerlo, el operador y/o los espectadores pueden sufrir graves lesiones.
	<ul style="list-style-type: none"> • USE PROTECCION OCULAR Y AUDITIVA ADVERTENCIA : Los objetos arrojados por la unidad y el ruido fuerte pueden causar graves lesiones oculares y pérdida auditiva. Utilice protección ocular que cumpla con las normas ANSI Z87.1 y protección auditiva cuando opere esta unidad. Use una careta completa cuando la necesite.
	<ul style="list-style-type: none"> • ADVERTENCIA DE CALIENTE No toque un silenciador ni un cilindro caliente. Puede quemarse. Estas partes se calientan mucho con el uso. Luego de apagarse permanecen calientes durante un corto tiempo.
	<ul style="list-style-type: none"> • COMBUSTIBLE SIN PLOMO Use siempre combustible limpio, nuevo y sin plomo.

- Use sólo piezas y accesorios de repuesto del fabricante del equipo original para esta unidad. Puede obtenerlos en su proveedor de servicio autorizado. El uso de piezas y accesorios que no son equipo original; puede causar graves lesiones al operador o el daño de su unidad, y la cancelación de su garantía.
- Mantenga la unidad libre de vegetación y otros materiales. Pueden alojarse entre el accesorio de corte y la protección.
- Para reducir el riesgo de incendio, cambie los silenciadores y amortiguadores de chispas defectuosos, mantenga el motor y el silenciador libre de pasto, hojas, grasa excesiva o acumulaciones de carbono.

OTRAS ADVERTENCIAS DE SEGURIDAD

- No guarde nunca la unidad con combustible en el tanque en un edificio donde los gases puedan llegar a una llama abierta o a una chispa.
- Espere que el motor se enfríe antes de guardar o transportar la unidad. Asegúrese de que la unidad esté segura al transportarla.
- Guarde la unidad bajo llave en un lugar adecuado y seco para evitar que sea usada por personas no autorizadas y se dañe, fuera del alcance de los niños.
- Nunca moje ni rocíe la unidad con agua ni con ningún otro líquido. Mantenga las manijas secas, limpias y sin residuos. Limpie la unidad luego de cada uso, lea las instrucciones de Limpieza y Almacenamiento.
- Guarde estas instrucciones. Consúltelas con frecuencia y utilícelas para enseñar a otros usuarios. Si le presta esta unidad a alguien, préstele también estas instrucciones.

CONSERVE ESTAS INSTRUCCIONES

SIMBOLO	SIGNIFICADO
	<ul style="list-style-type: none"> • INDICADOR DE ACEITE Consulte el manual del operador para obtener información acerca del tipo correcto de aceite.
	<ul style="list-style-type: none"> • CONTROL DE ENCENDIDO Y APAGADO ENCENDIDO /ARRANQUE /MARCHA
	<ul style="list-style-type: none"> • CONTROL DE ENCENDIDO Y APAGADO APAGADO o PARADO
	<ul style="list-style-type: none"> • MANTENGA ALEJADOS A LOS ESPECTADORES ADVERTENCIA: Mantenga a todos los espectadores, en especial a niños y animales domésticos a por lo menos 50 pies (15 m) del área de corte.
	<ul style="list-style-type: none"> • CONTROL DEL OBTURADOR A. Posición de OBTURACION COMPLETA B. Posición de OBTURACION PARCIAL C. Posición de MARCHA
	<ul style="list-style-type: none"> • LOS OBJETOS DESPEDIDOS Y LA CUCHILLA ROTATIVA PUEDEN CAUSAR GRAVES LESIONES ADVERTENCIA: No opere esta unidad si la protección plástica de línea no está colocada en su lugar. Manténgase alejado del accesorio de corte giratorio.
	<ul style="list-style-type: none"> • CUCHILLA AFILADA ADVERTENCIA : La protección del accesorio de corte contiene una cuchilla afilada. Para prevenir graves lesiones, no toque la cuchilla.

WARRANTY STATEMENT

GARANTÍA LIMITADA DE DOS AÑOS, DE CRAFTSMAN

Si este producto Craftsman falla debido a un defecto en el material o en la mano de obra dentro de un período de dos años a partir de la fecha de compra, devuélvalo a cualquier tienda Sears, Centro de Servicio Sears u otro establecimiento de Craftsman en Estados Unidos para que sea reparado sin costo alguno. Esta garantía no incluye:

- Los artículos consumibles que se desgasten debido al uso normal dentro del período de garantía, tal como líneas de corte, filtros de aire o bujías.
- Las reparaciones necesarias debidas a abuso o negligencia por parte del operador así como por no operar o no mantener el equipo de acuerdo con todas las instrucciones provistas.

Esta garantía se aplica solamente durante 90 días si este producto en algún momento se utiliza para fines comerciales o de alquiler. Esta garantía se aplica solamente mientras este producto sea utilizado en Estados Unidos. Esta garantía le concede a usted derechos legales específicos, y usted pudiera tener otros derechos que varían de un estado a otro.

Sears, Roebuck and Co., Hoffman Estates, IL 60179

Declaración de Garantía de Control de Emisiones de la EPA / California Sus Derechos y Obligaciones de la Garantía

La Junta de Recursos del Aire de California, la Agencia de Protección Ambiental y Sears se complacen en explicar la garantía del sistema de control de emisiones para su pequeño motor para uso fuera de la carretera del 2005 y posterior. Los nuevos motores pequeños para uso fuera de la carretera tienen que diseñarse, construirse y equiparse para cumplir las normas contra smog más estrictas. Sears tiene que garantizar el sistema de control de emisiones de su pequeño motor para uso fuera de la carretera durante los períodos de tiempo que aparecen a continuación siempre que no haya habido abuso, negligencia o mantenimiento indebido de su motor para uso fuera de la carretera. El sistema de control de emisiones puede incluir piezas tales como el carburador o sistema de inyección de combustible, el sistema de encendido y el convertidor catalítico. También puede incluir mangueras, correas, conectores y otros componentes relacionados con el control de emisiones. Cuando exista una condición justificable, Sears arreglará su pequeño motor todo-terreno sin costo alguno, incluyendo el diagnóstico, piezas y mano de obra.

Los pequeños motores todo-terreno del año 2005 y años posteriores están garantizados por dos años. Si su motor tiene alguna pieza defectuosa que esté relacionada con las emisiones, Sears la arreglará o cambiará.

Responsabilidades del Propietario para la Garantía

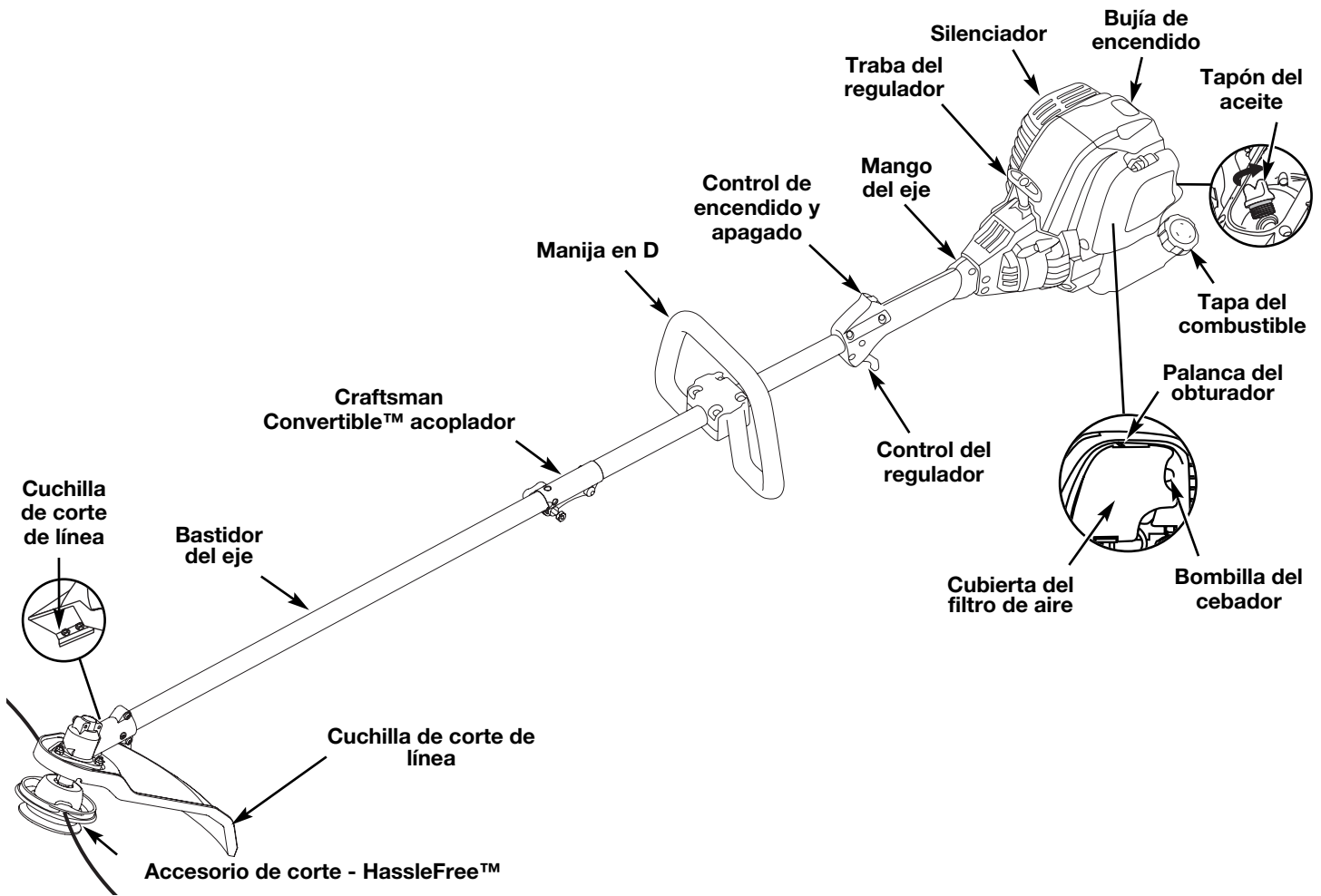
- Como propietario del pequeño motor todo-terreno, usted tiene la responsabilidad de la ejecución del mantenimiento requerido que se describe en el manual del operador. Sears le recomienda que conserve todos los recibos que cubran el mantenimiento de su pequeño motor todo-terreno, mas Sears no puede negarle la garantía por carecer de ellos o por omitir la ejecución del mantenimiento programado.
- No obstante, como propietario del pequeño motor todo-terreno, usted debe tener en cuenta que Sears puede negarle la cobertura de garantía si su pequeño motor todo-terreno o alguna parte falla debido al abuso, negligencia, mantenimiento inapropiado o modificaciones no aprobadas.
- Usted tiene la presponsabilidad de llevar el pequeño motor todo-terreno a un centro de servicio autorizado Sears tan pronto como exista un problema. Las reparaciones de garantía se deben llevar a cabo dentro de un tiempo razonable, que no exceda los 30 días.

Si tiene alguna pregunta relacionada con los derechos y responsabilidades de su garantía, debe llamar al **1-800-4-MY-HOME®**.

Cobertura de la Garantía del Fabricante

- El período de garantía empieza en la fecha que el motor o equio se le entrega al comprador al detalle.
- El fabricante le garantiza al propietario original y a cada comprador posterior que el motor no tiene defectos en cuanto a su material o mano de obra, los cuales causen la falla de una pieza garantizada durante un período de dos años.
- La reparación o sustitución de una pieza garantizada se hará sin costo alguno para el propietario, en un centro de servicio autorizado Sears. Por favor contacte a Sears para informarse sobre el lugar más cercano. **1-800-4-MY-HOME®**.
- Cualquier pieza garantizada cuya sustitución no esté programada, como mantenimiento requerido o que únicamente esté programada para una inspección regular para "Arreglar o cambiar según sea necesario", está garantizada durante el período de garantía. Cualquier pieza garantizada cuya sustitución esté programada como mantenimiento requerido, será garantizada durante el período de tiempo hasta el punto de la primera sustitución programada para esa pieza.
- No se le cobrará al propietario por el trabajo de diagnóstico que conduzca a la conclusión de que una pieza garantizada se encuentra defectuosa, si el trabajo de diagnóstico lo hace un centro de servicio autorizado Sears.
- El fabricante es responsable de los daños causados a otros componentes del motor cuando falle una pieza garantizada que aún esté cubierta.
- Las fallas causadas por el abuso, negligencia o el mantenimiento inapropiado no están cubiertas bajo esta garantía.
- La utilización de accesorios o piezas modificadas puede ser la razón para no permitir una reclamación de garantía. El fabricante no es responsable de la cobertura de fallas de piezas garantizadas causadas por el uso de piezas incorporadas o modificadas.
- Para presentar una reclamación, diríjase a su centro de servicio autorizado Sears cercana. Los servicios de garantía o de reparación se prestarán en todos los centros de servicio autorizado Sears.
- Se puede usar cualquier pieza de sustitución aprobada por el fabricante cuando se haga cualquier mantenimiento de garantía o reparación de piezas relacionadas con las emisiones, y se hará sin costo al propietario. Se usará cualquier pieza que sea equivalente en rendimiento o durabilidad en el mantenimiento o reparación que no estén cubiertos por la garantía, lo cual no reducirá las obligaciones de garantía del fabricante.
- Los siguientes componentes están incluidos en la garantía relacionada con las emisiones del motor, filtro de aire, carburador, carburador, líneas de combustible, toma de combustible, /filtro de combustible, módulo de encendido, bujía y silenciador.

CONOZCA SU UNIDAD



INSTRUCCIONES DE ENSAMBLE

INSTALACIÓN Y AJUSTE DE LA MANIJA EN D

1. Saque los tornillos, tuercas y la abrazadera inferior que se instalaron en la manija en D para su envío.
2. Coloque la manija en D por encima del bastidor del eje y sobre la abrazadera inferior (Fig. 1). Colóquela a un mínimo de 15,24 cm (6 pulgadas) desde el extremo del puño del eje.
3. Sostenga cada tuerca hexagonal en el hueco de la abrazadera inferior con un dedo. Inicie los tornillos con un destornillador grande de pala o Torx #25. No los apriete hasta ajustar la manija.
4. Si fue preinstalada, afloje los tornillos en la manija en D lo suficiente para mover la manija en D.
5. Mientras sostiene la unidad en posición de operación (Fig. 2), coloque la manija en D en la posición que le brinde el mejor agarre.

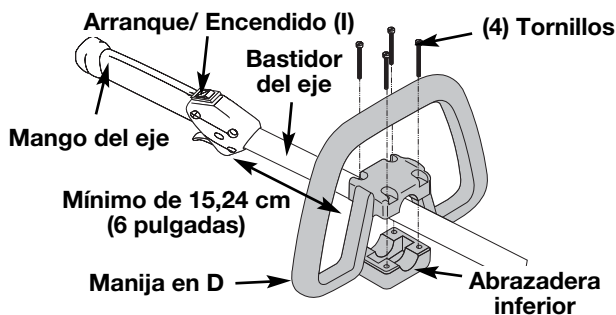


Fig. 1

6. Ajuste los tornillos de la abrazadera en forma pareja hasta que la manija en D esté firme.

INSTALACIÓN DEL ACCESORIO RECORTADOR DE LÍNEA

NOTA: Para hacer más fácil la instalación, coloque la unidad en el suelo o sobre un banco de trabajo.

1. Gire la perilla en sentido antihorario para aflojar el acoplador (Fig. 15, p. 7).
2. Mientras sostiene con firmeza el accesorio, empújelo en línea recta dentro del acoplador hasta que el botón de liberar se trabe en el agujero primario (Fig. 16, p. 7).

NOTA: Alinear el botón de liberar con la muesca de guía (Fig. 16, p. 7) facilitará la instalación.

3. Gire la perilla en sentido horario para apretarla.

APLICACIONES DEL RECORTADOR DE LÍNEA

Cortar hierba y malezas ligeras; bordear; y recorte decorativo alrededor de árboles, cercas, etc.

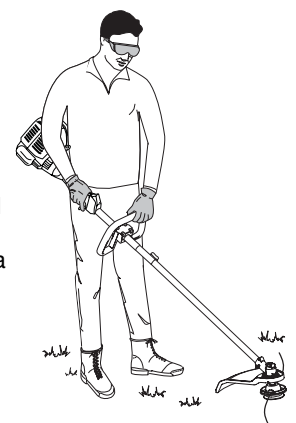


Fig. 2

INFORMACIÓN DEL ACEITE Y DEL COMBUSTIBLE



ADVERTENCIA: EL LLENAR DEMASIADO EL CÁRTER PUEDE CAUSAR LESIONES PERSONALES GRAVES. No podemos exagerar la importancia del control y mantenimiento del nivel correcto de aceite en el cigüeñal. Verifique el aceite antes de cada uso y cámbielo cuando sea necesario según se indica en la sección de Cambio del aceite.

TIPO DE ACEITE RECOMENDADO

El uso de un aceite del tipo y peso correctos en el cigüeñal es extremadamente importante. Verifique el aceite antes de cada uso y cambie el aceite con frecuencia. Si no usa el aceite correcto, o utiliza aceite sucio, puede causar el desgaste y falla prematuros del motor. Use un aceite de buena calidad SAE 30 de API (American Petroleum Institute) clase de servicio SG, SF, SH.

CARGA DE ACEITE EN EL CARTER DEL CIGÜEÑAL: USO INICIAL

NOTA: Esta unidad se envía sin carga de aceite. A fin de evitar el daño de la unidad, cargue aceite en el cárter del cigüeñal antes de intentar arrancar la unidad.

Su unidad trae una botella de aceite SAE 30 SF, SG, SH de 90 ml (3,04 onzas fluidas) (Fig. 3).

NOTA: Guarde la botella para medir la cantidad correcta de aceite cuando deba cambiarlo en el futuro. Lea Cambio de Aceite.

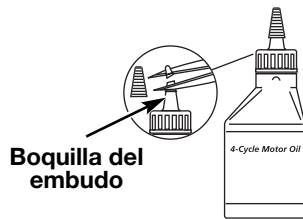


Fig. 3

1. Desenrosque la tapa de la botella de aceite y retire el sello de papel que cubre la apertura. Vuelva a colocar la tapa. Corte la punta de la boquilla del embudo (Fig. 3).
2. Coloque la unidad sobre una superficie plana.
3. Saque el tapón de aceite/varilla de medición del cigüeñal (Fig. 4).
4. Vierta todo el contenido de la botella de aceite en el cigüeñal (Fig. 5).



Fig. 4

NOTA: No agregue nunca aceite al combustible o al tanque de combustible.

5. Limpie todo el aceite que pueda haberse derramado y vuelva a instalar el tapón del aceite / varilla de medición.

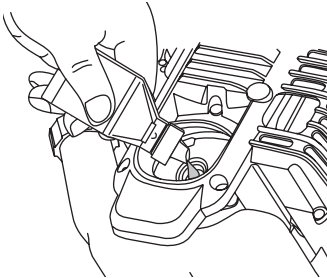


Fig. 5

No podemos exagerar la importancia del control y mantenimiento del nivel correcto de aceite en el cigüeñal. Verifique el aceite antes de cada uso y cámbielo cuando sea necesario según se indica en la sección de Cambio del aceite.

TIPO DE COMBUSTIBLE RECOMENDADO

El combustible viejo es la causa principal del mal funcionamiento de la unidad. Asegúrese de usar combustible nuevo, limpio y sin plomo.

NOTA: Este es un motor de cuatro ciclos. Para evitar dañar su unidad, no mezcle el aceite con la gasolina.

Definición de los combustibles de mezcla

Los combustibles actuales con frecuencia son una mezcla de gasolina y uno o más oxigenantes como el etano, el metanol o el MTBE (éter). El combustible con mezcla de alcohol absorbe agua. Un porcentaje de agua tan pequeño como el 1% en el combustible puede hacer que el combustible y el aceite se separen. Se forman ácidos mientras está guardado. Cuando use combustible con mezcla de alcohol, use combustible nuevo (almacenado durante menos de 60 días).

Uso de los combustibles de mezcla

Si decide usar un combustible de mezcla o si su uso es inevitable, le recomendamos que tome las siguientes precauciones:

- Use siempre una mezcla fresca de combustible según lo indica su manual del operador
- Use un aditivo de combustible estabilizador de gasolina
- Drene el tanque y haga funcionar el motor en seco antes de guardar la unidad

Uso de aditivos en el combustible

El uso de un estabilizador de gasolina impedirá la corrosión y reducirá al mínimo la formación de depósitos de resina. El uso de aditivos puede evitar que se formen depósitos dañinos en el carburador por hasta ocho (8) meses. Agregue 23 ml (0,8 de onza) de aditivo por galón de combustible de acuerdo a las instrucciones del envase. No agregue NUNCA los aditivos directamente al tanque de combustible de la unidad.



ADVERTENCIA: Cargue el combustible en un área exterior limpia y bien ventilada. Limpie de inmediato todo combustible que se haya derramado. Evite crear una fuente de encendido con el combustible derramado. No arranque el motor hasta que se hayan evaporado los gases del combustible.



ADVERTENCIA: La gasolina es muy inflamable. Los gases pueden explotar si se encienden. Apague siempre el motor y espere que se enfríe antes de cargar el tanque de combustible. No fume mientras llena el tanque. Mantenga las chispas y las llamas lejos del área.

CARGA DE COMBUSTIBLE EN LA UNIDAD



ADVERTENCIA: Saque la tapa del combustible lentamente para evitar lesionarse con el rociado del combustible. No opere nunca la unidad sin la tapa del combustible firmemente colocada en su lugar.

1. Saque la tapa de la gasolina (Fig. 6).
2. Coloque el pico del recipiente de gasolina en el orificio de llenado del tanque de gasolina (Fig. 6) y llene el tanque.

NOTA: No llene el tanque demasiado.

3. Limpie toda la gasolina que pueda haberse derramado.
4. Vuelva a instalar la tapa de la gasolina.
5. Mueva la unidad por lo menos 9,1 m (30 pies) de la fuente y sitio de carga antes de arrancar el motor.

NOTA: Elimine la gasolina vieja de acuerdo a los reglamentos federales, estatales y locales.

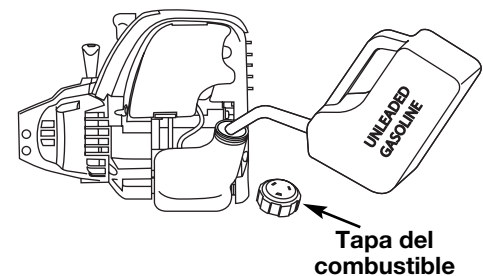


Fig. 6

INSTRUCCIONES DE ARRANQUE Y APAGADO



ADVERTENCIA: Use esta unidad sólo en un área exterior bien ventilada. Los gases de escape de monóxido de carbono pueden ser letales en un área cerrada.



ADVERTENCIA: Evite los arranques accidentales. Colóquese en posición de inicio cuando tire de la cuerda de arranque (Fig. 23). El operador y la unidad deben estar en una posición estable al arrancar la unidad para evitar graves lesiones personales.

INSTRUCCIONES DE ARRANQUE

1. Verifique el nivel de aceite en el cárter del cigüeñal. *Lea Inspección del Nivel de Aceite.*
2. Llene el tanque de combustible con gasolina nueva, limpia y sin plomo.

NOTA: No es necesario encender la unidad. El Control de Encendido/Apagado está en la posición de ENCENDIDO (I) en todo momento.

3. Oprima completamente el cebador y suéltelo 10 veces. Hágalo lentamente. Se deberá ver un poco de combustible en el cebador y en las tuberías de alimentación de combustible (Fig. 8). Si no puede ver el combustible en el cebador, oprímalo y suéltelo tantas veces como sea necesario hasta que vea combustible en el mismo.
4. Coloque la palanca del obturador en **Posición 1** (Fig. 8).
5. Soporte en la posición de arranque (Fig. 8) y apriete el control de aceleración. Hale el cordón de arranque con un movimiento controlado y uniforme hasta 5 veces.
6. Coloque la palanca del obturador en **Posición 2** (Fig. 8).
7. Mientras oprime el control del regulador, Hale el cordón de arranque con un movimiento controlado y uniforme para arrancar el motor.
8. Mantenga oprimido el regulador y deje que el motor se caliente durante 15 a 30 segundos.
9. Coloque la palanca del obturador en **Posición 3** (Fig. 8) la unidad está lista para usarse.

Si... El motor no arranca, regrese al paso 4.

Si... Tras varios intentos el motor no logra arrancar, coloque la palanca del obturador en la **Posición 3**, oprima la traba del regulador hacia adentro y apriete el control del regulador.

NOTA: La unidad usa INCREDI-PULL™, lo cual reduce considerablemente el esfuerzo requerido para arrancar el motor. Debe halar el cordón de arranque lo suficiente para oír que el motor trata de arrancar. No es necesario halar el cordón con energía: no hay fuerte resistencia al halar. Tenga en cuenta que este método de arranque es muy diferente (y mucho más fácil) del que usted pudiera estar acostumbrado a usar.

INSTRUCCIONES DE APAGADO

1. Saque la mano del control del regulador. Deje enfriar el motor en marcha en vacío.
2. Coloque el control de encendido y apagado en posición de APAGADO (O) (Fig. 7).

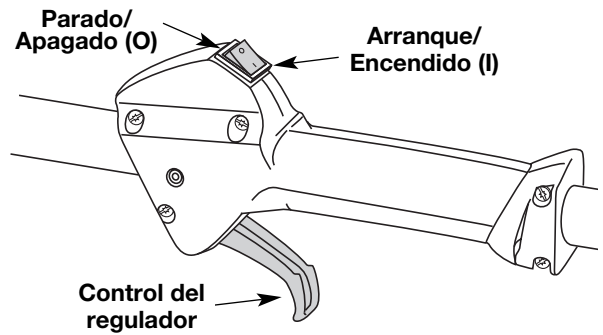


Fig. 7

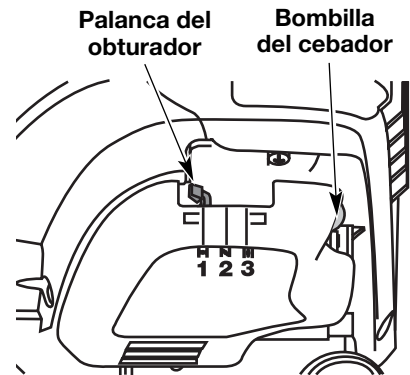


Fig. 8



Fig. 9

INSTRUCCIONES DE OPERACIÓN

COMO SOSTENER EL RECORTADOR



ADVERTENCIA: Use siempre protección para sus ojos, audición, pies y cuerpo para reducir el riesgo de una lesión al operar esta unidad.

Antes de operar esta unidad, párese en posición de operación (Fig. 10). Verifique lo siguiente:

- El operador tiene protección ocular y ropa adecuada.
- El brazo derecho está levemente doblado, y la mano está sosteniendo el mango del eje.
- El brazo izquierdo está recto, y la mano está sosteniendo la manija.
- La unidad está debajo del nivel de la cintura.
- El accesorio de corte está paralelo al suelo y hace fácil contacto con la vegetación que va a ser cortada sin que el operador tenga que inclinarse.

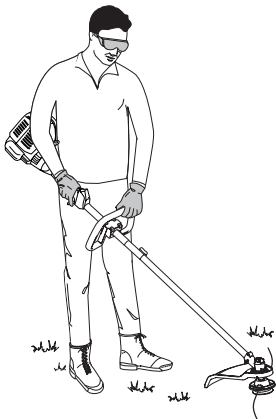


Fig. 10

Una vez que usted esté en la posición de funcionamiento, enganche la correa para el hombro a la unidad.

REEMPLAZO DE LA LÍNEA

para la Cabeza de Corte Hassle-Free™

Use siempre la Línea Espiral Hassle-Free™ XTRA QUIET de Craftsman.

Seleccione el tamaño de la línea que mejor se adapte al trabajo que se propone realizar. La línea de color rojo está diseñada para cortar hierba y pequeñas malezas. La línea de color negro está diseñada para cortar malezas de mayor tamaño y matorrales ligeros.



PRECAUCION: No saque ni altere el ensamble de la cuchilla limitadora de línea. La longitud excesiva de la línea causará el recalentamiento del motor. Esto puede causar graves lesiones personales o daño a la unidad.

NOTA: Antes de insertar la nueva línea en los agujeros de la cabeza de corte, identifique los agujeros adecuados. Siga las directrices que se indican en la placa de deslizamiento de la línea. **No** trate de quitarle la cabeza de corte a la unidad al reemplazar la línea.

1. Qúitele a la cabeza de corte la línea vieja y la placa de deslizamiento de la línea.

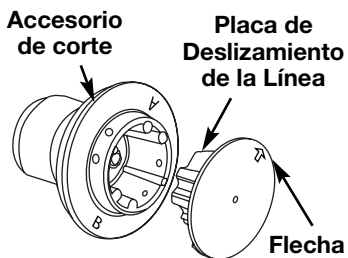


Fig. 11

2. Limpie toda la superficie de la cabeza de corte.
3. Reinstale la placa de deslizamiento (Fig. 11). Alinee la flecha con:

A- al usar la línea mediana (roja) o grande (negra)

B- al usar líneas con diámetros inferiores a la línea mediana (roja)

NOTA: La placa de deslizamiento de la línea se debe reinstalar en la cabeza de corte antes de insertar la nueva línea.

4. Inserte ambos extremos de su línea a través de los agujeros adecuados en el lado de la cabeza de corte (Fig. 12).

5. Hale la línea y cerciórese de que la línea esté totalmente extendida a través de los túneles de posicionamiento (Fig. 13).



Fig. 12

6. La línea que esté instalada correctamente tendrá la misma longitud en ambos lados.

NOTA: No apoye la perilla percuisva sobre el suelo mientras la unidad esté en funcionamiento.

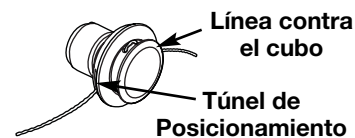


Fig. 13

La línea puede cortarse por:

- Enredarse con un objeto extraño
- Fatiga normal de la línea
- Intentar cortar hierbas gruesas y leñosas
- Forzar la línea en objetos como paredes o postes de cercos.

CONSEJOS PARA OBTENER MEJORES RESULTADOS AL RECORTAR

- Para mejores resultados que recortan, operar la unidad en válvula de admisión repleta.
- El ángulo correcto para ubicar el accesorio de corte es paralelo al suelo.
- No fuerce el accesorio de corte. Permita que la punta de la línea realice el corte (en especial a lo largo de paredes). Si corta con más de la punta reducirá la eficacia del corte y puede sobrecargar el motor.
- Corte césped de más de 200 mm (8 pulgadas) trabajando de arriba hacia abajo en pequeños incrementos para evitar el desgaste prematuro de la línea y el arrastre del motor.
- Corte de derecha a izquierda siempre que sea posible. Cortar hacia la izquierda mejora la eficiencia de la unidad. Los recortes salen arrojados en sentido contrario al operador.
- Mueva lentamente el recortador dentro y fuera del área de corte a la altura deseada. Realice movimientos ya sea de adelante hacia atrás y viceversa, o de lado a lado. El corte en longitudes más cortas produce mejores resultados.
- Recorte únicamente cuando el pasto y las hierbas estén secas.
- La vida de su línea de corte depende de:
 - Seguir todas las técnicas de corte indicadas anteriormente
 - El tipo de vegetación que corte
 - El lugar donde se corta

Por ejemplo, la línea se desgastará más rápido cuando corte contra un muro que cuando corte alrededor de un árbol.

RECORTE DECORATIVO

El recorte decorativo se realiza eliminando toda la vegetación de alrededor de los árboles, postes, cercos, etc.

Gire toda la unidad a modo de que el accesorio de corte se ubique a un ángulo de 30° con el suelo (Fig. 14).

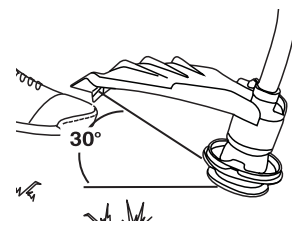


Fig. 14

INSTRUCCIONES DE MANTENIMIENTO Y REPARACIÓN

PROGRAMA DE MANTENIMIENTO

Estos procedimientos requeridos para el mantenimiento deben ser realizados con la frecuencia indicada en la tabla. Deben ser incluidos como parte de toda puesta a punto de cada temporada.

NOTA: Algunos procedimientos de mantenimiento pueden requerir el uso de herramientas o habilidades especiales. Si no está seguro acerca de estos procedimientos, lleve su unidad a un establecimiento de reparación, persona o distribuidor de servicio autorizado que arregle motores para uso fuera de la carretera.

NOTA: El mantenimiento, la sustitución o arreglo de dispositivos para el control de emisiones y sistemas pueden ser hechos por cualquier establecimiento de reparación, persona o proveedor de servicio autorizado que arregle motores para uso fuera de la carretera.

Para asegurar funcionamiento máximo de su motor, la inspección del puerto del extractor del motor puede ser necesaria después de 50 horas de la operación. Si usted nota la RPM perdida, degradación de las prestaciones o carencia general de la aceleración, este servicio puede ser requerido. Si usted se siente su motor está en necesidad de esta inspección, refiera el servicio a a se chamusca o el otro distribuidor cualificado del servicio para la reparación. No procure realizar este proceso usted mismo como el daños de motor pueden resultar de los contaminantes implicados en el proceso de la limpieza para el puerto.



ADVERTENCIA: Para evitar lesiones personales graves, nunca realice mantenimiento ni reparaciones con la unidad funcionando. Realice siempre el mantenimiento y las reparaciones con la unidad fría. Desconecte el cable de la bujía de encendido para cerciorarse de que la unidad no arrancará.

FRECUENCIA	MANTENIMIENTO REQUERIDO	CONSULTE
Antes de arrancar el motor	Llene el tanque de combustible con combustible nuevo Inspeccione el aceite	Page 21 Page 25
Cada 10 horas	Limpie y vuelva a aceitar el filtro de aire	Page 26
Primer cambio a las 10 horas Cada 25 horass en lo sucesivo Cada 25 horas	Cambie el aceite Cambie el aceite Limpie el amortiguador de chispas	Page 25 Page 25 Page 28
10 horas en un motor nuevo Cada 25 horas Cada 25 horas	Verifique la separación entre el brazo oscilante y la válvula y ajuste Verifique la separación entre el brazo oscilante y la válvula y ajuste Verifique la condición y separación de la bujía de encendido	Page 27 Page 27 Page 28

INSPECCION DEL NIVEL DE ACEITE

No podemos exagerar la importancia de verificar y mantener el nivel correcto de aceite en el cárter del cigüeñal. Inspeccione el nivel de aceite antes de cada uso:



PRECAUCION: Para evitar un desgaste excesivo del motor y el daño de la unidad, mantenga siempre el nivel de aceite correcto en el cárter del cigüeñal. No opere nunca la unidad con el aceite debajo del extremo inferior de la varilla de medición.

1. Apague el motor y permita que el aceite drene dentro del cárter del cigüeñal.
2. Coloque el motor sobre una superficie plana y nivelada, con el protector de la cabeza de corte colgando de un banco o mesa de trabajo para obtener una lectura adecuada del nivel de aceite (Fig. 18).

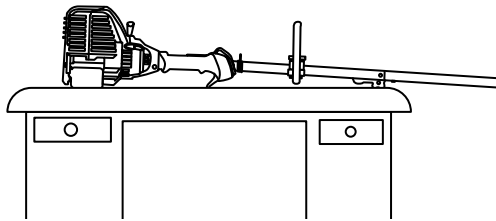


Fig. 18

3. Mantenga la suciedad, recortes de césped, etc. fuera del motor. Limpie el área alrededor del tapón de relleno de aceite / varilla de medición antes de retirarlo.
4. Retire el tapón de relleno de aceite / varilla de medición y seque el aceite. Vuelva a insertarlo completamente hacia adentro.
5. La mirada en el petróleo llena hoyo, utiliza una linterna si necesitado. El petróleo debe estar tocando apenas las interiores la mayoría de los hilos (Fig. 19).
6. Si el nivel de aceite no está tocando la rosca más interior del agujero de llenar aceite, añada una pequeña cantidad al agujero de llenar aceite y vuelva a comprobar (Fig. 19). Repita este procedimiento hasta que el nivel de aceite alcance la rosca más interna del agujero de llenar aceite.

NOTA: No llene demasiado la unidad.

NOTA: Verifique que el anillo en O esté en su lugar en el tapón de relleno de aceite / varilla de medición cuando mida y cambie el aceite (Fig. 20).

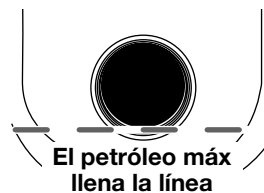


Fig. 19

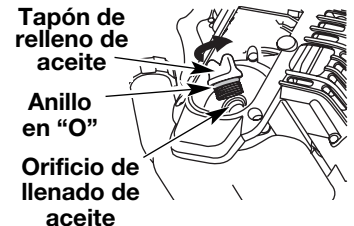


Fig. 20

CAMBIO DEL ACEITE



ADVERTENCIA: Use guantes para evitar sufrir lesiones cuando maneje la unidad.

En un motor nuevo, cambie el aceite después de las 10 primeras horas de operación. Cambie el aceite mientras el motor aún está caliente. El aceite fluirá con libertad y llevará más impurezas.

1. Desenchufe el manguito de la bujía de encendido para eliminar el arranque.
2. Retire el tapón de relleno de aceite / varilla de medición.
3. Vierta el aceite fuera del orificio de llenado de aceite en un recipiente inclinando la unidad hasta una posición vertical (Fig. 21). Deje suficiente tiempo como para completar el drenaje.

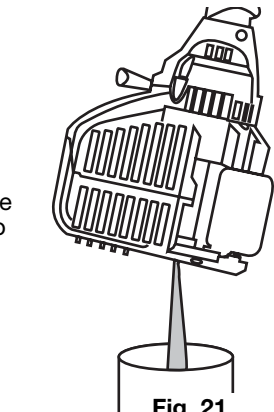


Fig. 21

INSTRUCCIONES DE MANTENIMIENTO Y REPARACIÓN

4. Seque todo el aceite residual de la unidad y limpie todo el aceite que pueda haberse derramado. Elimine todo el aceite de acuerdo con las normas federales, estatales y locales.
5. Vuelva a cargar el cárter del cigüeñal con 90 ml (3,04 onzas fluidas) de aceite SAE 30 SF, SG, SH.

NOTA: Use la botella y la boquilla que guardó del uso inicial para medir la cantidad correcta. El nivel de 90 ml (3,04 onzas) está aproximadamente en la parte superior de la etiqueta de la botella (Fig. 22). Mida el nivel con la varilla de medición. Si el nivel está bajo, agregue una pequeña cantidad de aceite y vuelva a medir (Fig. 22). No lo llene demasiado.

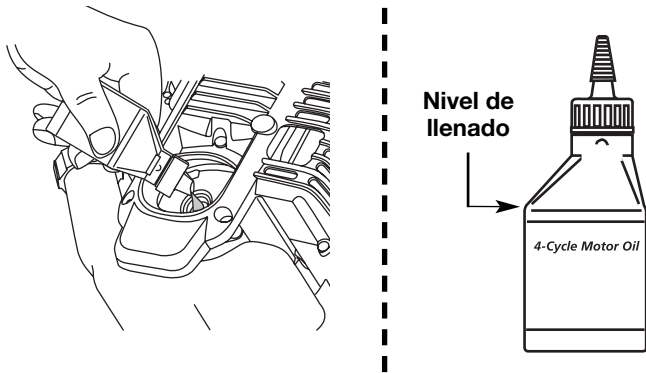


Fig. 22

6. Vuelva a colocar el tapón de relleno de aceite / varilla de medición.
7. Vuelva a conectar el manguito de la bujía de encendido.

MANTENIMIENTO DEL FILTRO DE AIRE

Limpieza del filtro de aire



ADVERTENCIA: Para evitar graves lesiones personales, apague siempre su recortador y espere que se enfríe antes de limpiarlo o realizar todo tipo de mantenimiento.

Limpie y vuelva a aceitar el filtro de aire cada 10 horas de operación. Es una de las partes cuyo mantenimiento es importante. No mantener debidamente su filtro de aire puede resultar en funcionamiento inadecuado o puede causar daño permanente a su motor.

1. Abra la tapa del filtro de aire. Empuje hacia adentro la lengüeta que está en lado inferior de la tapa. Después hale hacia afuera y arriba la tapa del filtro de aire. (Fig. 23).

NOTA: Es posible que deba retirar la tapa de combustible para poder retirar por completo la cubierta del filtro de aire.

2. Retire el filtro de aire (Fig. 23).

Cubierta del filtro de aire

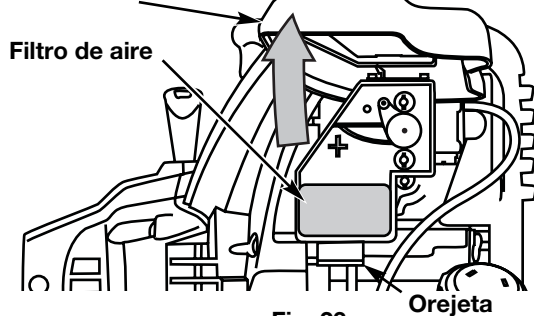


Fig. 23

3. Lave el filtro con agua y detergente (Fig. 24). Enjuague bien el filtro y déjelo secar.
4. Aplique suficiente aceite limpio de motor SAE 30 para recubrir ligeramente el filtro (Fig. 25).

5. Apriete el filtro para esparcir y retirar el exceso de aceite (Fig. 26).
6. Vuelva a colocar el filtro (Fig. 23).

NOTA: Si opera la unidad sin el filtro de aire, su garantía será ANULADA.

7. Instale de nuevo la tapa del filtro de aire. Haga coincidir las ranuras que hay en la parte superior de la tapa del filtro de aire con las lengüetas de la parte superior de la placa posterior (Fig. 27).

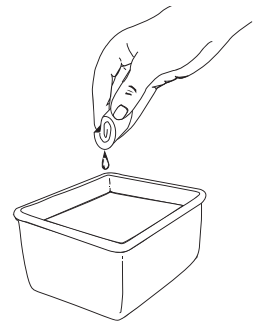


Fig. 24

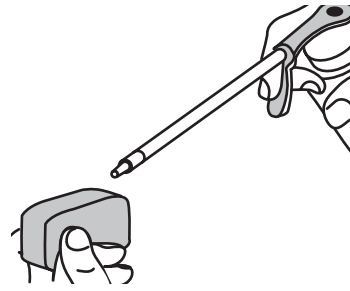


Fig. 25

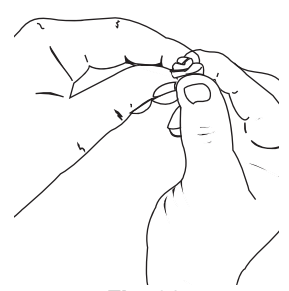


Fig. 26

8. Gire la tapa hacia abajo hasta que la lengüeta de la placa posterior del filtro de aire se enganche en la ranura de la tapa del filtro de aire (Fig. 28).

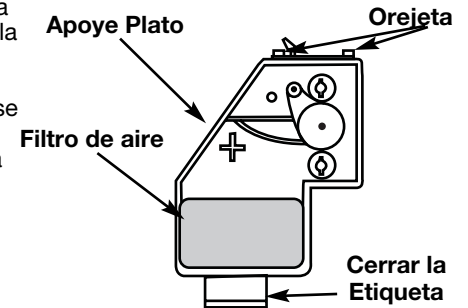


Fig. 27

Cubierta del filtro de aire

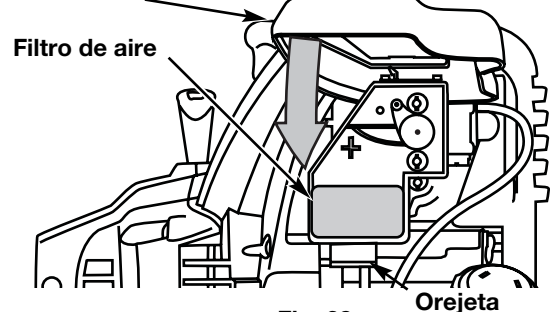


Fig. 28

AJUSTE DEL CARBURADOR

La velocidad mínima del motor puede ser ajustada. Puede tener acceso al tornillo de ajuste de mínima a través de un orificio en la parte superior de la cubierta del motor (Fig. 29).

NOTA: Los ajustes descuidados pueden dañar su motor seriamente. Los ajustes del carburador deben ser realizados por un proveedor de servicio autorizado.

Tornillo de ajuste de mínima

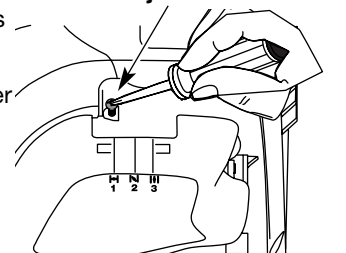


Fig. 29

Inspección del Combustible

En general, el combustible viejo es el motivo principal para que la unidad no funcione en forma adecuada. Drene y vuelva a llenar el tanque con combustible nuevo, limpio y sin plomo antes de hacer ningún ajuste. *Consulte la Información acerca del Aceite y Combustible.*

Limpieza del Filtro de Aire

La condición del filtro de aire es importante para el funcionamiento de la unidad. Un filtro de aire sucio limitará el flujo de aire y cambiará la mezcla de aire y combustible. Con frecuencia esto se confunde con un carburador fuera de ajuste. Inspeccione la condición del filtro de aire antes de ajustar el tornillo de velocidad mínima. *Consulte la sección de Mantenimiento del Filtro de Aire.*

Ajuste del Tornillo de Velocidad Mínima



ADVERTENCIA: Al apagar la unidad, asegúrese de que el accesorio de corte se haya detenido antes de apoyar la unidad para prevenir graves lesiones personales.

Si después de inspeccionar el combustible y limpiar el filtro de aire el motor aún no funciona en mínima, ajuste el tornillo de velocidad mínima según se indica a continuación.

1. Arranque el motor y déjelo funcionar a una mínima alta durante un minuto para que se caliente.
2. Suelte el gatillo del regulador y deje que el motor funcione en mínima. Si el motor se para, inserte un destornillador Phillips pequeño en el orificio de la cubierta del motor (Fig. 38). Gire el tornillo de mínima hacia adentro, en sentido horario, de a 1/8 de vuelta por vez (según sea necesario) hasta que el motor funcione en mínima suavemente.

NOTA: El accesorio de corte no debe girar cuando el motor está funcionando en mínima.

3. Si el accesorio de corte gira cuando el motor está funcionando en mínima, gire el tornillo de velocidad mínima en sentido antihorario de a 1/8 de vuelta por vez (según sea necesario) para reducir la velocidad mínima.



ADVERTENCIA: Al apagar la unidad, asegúrese de que el accesorio de corte se haya detenido antes de apoyar la unidad para prevenir graves lesiones personales.

La inspección del combustible, la limpieza del filtro de aire y el ajuste del tornillo de velocidad mínima debe resolver la mayoría de los problemas del motor. Si esto no sucede, y:

- El motor no funciona en mínima
- El motor fluctúa o se ahoga al acelerarlo
- Existe una pérdida de fuerza motriz

lleve el carburador a ajustar a un proveedor de servicio autorizado.

HUELGO DEL BRAZO OSCILANTE

Esto requiere el desarmado del motor. Si usted siente que no está seguro o que no está calificado como para realizar esto, lleve la unidad a un centro de servicio autorizado.

NOTA: Inspeccione el huelgo de la válvula del brazo oscilante con una galga después de las primeras 10 horas de operación y luego cada 25 horas de operación en lo sucesivo.

- El motor debe estar frío cuando verifique o ajuste el huelgo de la válvula.
 - Esta tarea debe ser realizada en interiores, en un área limpia y libre de polvo.
1. Quite los dos (6) Tornillos de encima de la tapa del motor con un destornillador de pala o Torx #25 (Fig. 30).
 2. Desconecte el cable de la bujía de encendido.
 3. Limpie la suciedad de alrededor de la bujía de encendido. Saque la bujía de encendido de la cabeza del cilindro girando un casquillo de 16mm (5/8 pulgadas) en sentido antihorario.
 4. Saque la cubierta del motor (Fig. 30).

Vista superior del motor

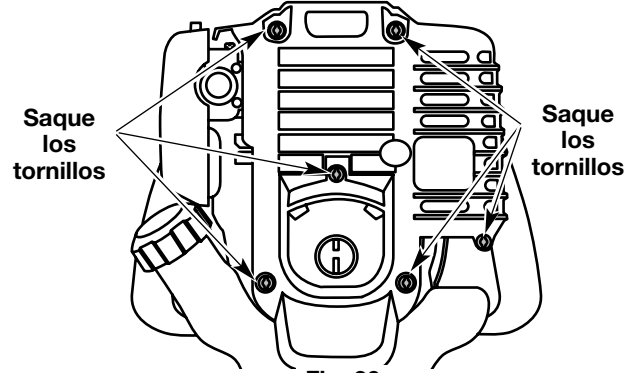


Fig. 30

5. Limpie la suciedad de alrededor de la cubierta del brazo oscilante. Saque el tornillo que sostiene la cubierta del brazo oscilante con un destornillador grande de vástago plano o con una broca Torx T-25 (Fig. 31). Saque la cubierta y la junta del brazo oscilante.
6. Tire lentamente de la cuerda de arranque para traer el pistón hacia la parte superior de su recorrido (conocido como punto muerto superior). Verifique que:



Fig. 31

- El pistón se encuentre en la parte superior de su recorrido mientras mira dentro del orificio de la bujía de encendido (Fig. 32).

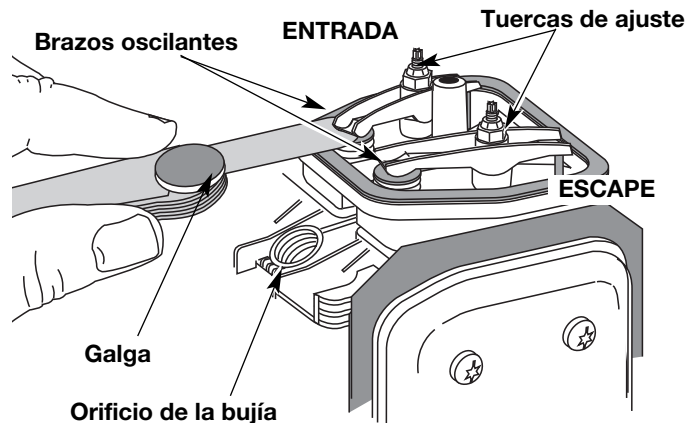


Fig. 32

- Ambos brazos oscilantes se mueven con libertad, y ambas válvulas están cerradas

De no ser así, repita este paso.

7. Deslice la galga entre el brazo oscilante y el resorte de retorno de la válvula. Mida el huelgo entre el vástago de la válvula y el brazo oscilante (Fig. 32). Realice esto en las válvulas de entrada y de escape.

El huelgo recomendado para las válvulas de entrada y de escape es 0,076 – 0,152 mm (0,003 – 0,006 pulgadas). Use un calibrador regular de automóvil de 0,127 mm (0,005 pulgadas). El calibrador debe deslizarse entre el balancín y el vástago de la válvula con una ligera cantidad de resistencia, sin doblarse (Fig. 32 y 33).

INSTRUCCIONES DE MANTENIMIENTO Y REPARACIÓN

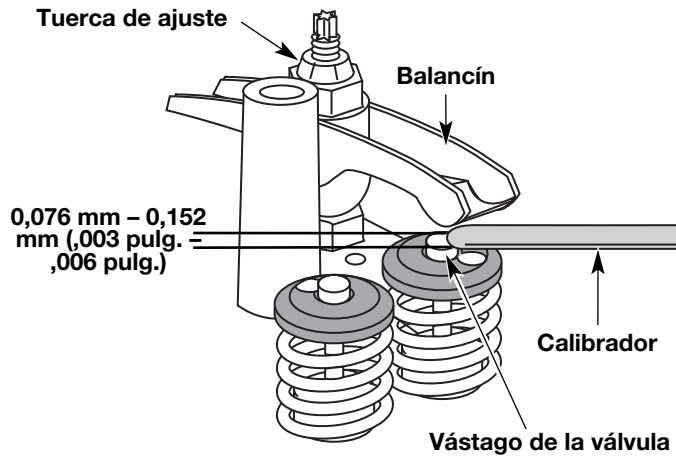


Fig. 33

20 y un pedacito T-25, quite los tornillos que unen el desviador de los pararrayos de la chispa al silenciador (Fig. 35).

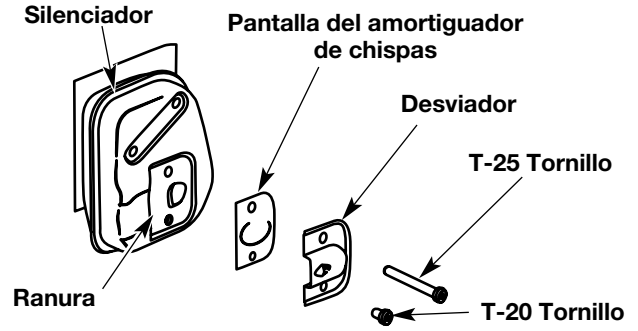


Fig. 35

8. Si el huelgo no se encuentra dentro de las especificaciones:
 - a. Gire la tuerca de ajuste con una llave de 8 mm (5/16 pulgadas) o una guía de tuercas (Fig. 32).
 - Para incrementar el huelgo, gire la tuerca de ajuste en sentido antihorario.
 - Para reducir el huelgo, gire la tuerca de ajuste en sentido horario.
 - b. Vuelva a inspeccionar ambos huelgos, y ajuste si es necesario.
9. Vuelva a instalar la cubierta del brazo oscilante utilizando una nueva junta. Ajuste el tornillo a 2,2–3,4 N•m (20–30 pulgadas•libra).
10. Inspeccione la bujía de encendido y vuelva a instalar. *Lea Cambio de la Bujía de encendido.*
11. Vuelva a colocar el cable de la bujía de encendido.
12. Vuelva a instalar la cubierta del motor. Verifique la alineación de la cubierta antes de ajustar los tornillos. Ajuste los tornillos.

CAMBIO DE LA BUJÍA DE ENCENDIDO

Use una bujía de encendido 753-05255. La separación correcta es de **0,635 mm (0,025 pulgadas)**. Retire la bujía luego de cada 25 horas de operación e inspeccione su estado.

1. Apague el motor y espere que se enfríe. Retire los seis (6) tornillos de la parte posterior de la tapa del motor con destornillador de cabeza plana o Torx No. T-25 (Fig. 30).
2. Tome el alambre de la bujía con firmeza y sáquelo de la bujía de encendido.



PRECAUCIÓN: No limpie con chorro de arena, ni raspe ni limpie los electrodos. El motor podría dañarse si penetran pequeñas partículas en el cilindro.

3. Limpie alrededor de la bujía de encendido. Saque la bujía de encendido de la cabeza del cilindro girando una llave de casquillo de 16 mm (5/8 de pulgada) en sentido antihorario.
4. Cambie las bujías que estén rajadas, sucias o deterioradas. Fije la separación de aire a **0,635 mm (0,025 pulgadas)** utilizando un calibrador (Fig. 34).
5. Instale una bujía de encendido con la separación correcta en la cabeza del cilindro. Ajuste girando la llave de casquillo 16 mm (5/8 de pulgada) en sentido horario hasta que esté ajustada sin huelgo.

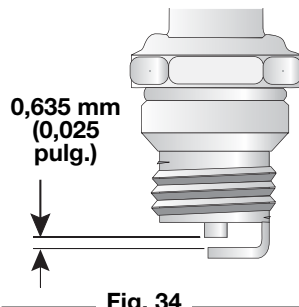


Fig. 34

Si usa una llave de torsión, ajuste a:

110-120 pulg. • libras (12.3-13.5 N•m)

No ajuste demasiado.

MANTENIMIENTO DEL AMORTIGUADOR DE CHISPAS

1. Saque la cubierta del amortiguador de chispas. Lea Huelgo del brazo oscilante.
2. Con un destornillador plano de la lámina o un pedacito torx T-

3. Saque el desviador de los pararrayos de la chispa el silenciador. Quite el desviador de los pararrayos de la chispa.
4. Saque la pantalla del amortiguador de chispas de la cubierta del amortiguador de chispas.



ADVERTENCIA: Para evitar graves lesiones personales, apague siempre su recortador y espere que se enfríe antes de limpiarlo o realizar cualquier tipo de mantenimiento.

5. Limpie la pantalla del amortiguador de chispas con un cepillo de alambre, o cámbiela.
6. Vuelva a instalar la pantalla del amortiguador de chispas, la cubierta del amortiguador de chispas y el tornillo.

LIMPIEZA

Use un cepillo pequeño para limpiar la parte exterior de la unidad. No use detergentes fuertes. Los limpiadores domésticos que contienen aceites aromáticos como pino y limón, y con solventes como el queroseno pueden dañar el bastidor de plástico y la manija. Seque toda la humedad con un paño suave.

ALMACENAMIENTO

- No guarde nunca la unidad con combustible en el tanque donde los vapores puedan llegar a una llama o chispa.
- Espere que el motor se enfríe antes de guardar la unidad.
- Guarde la unidad bajo llave para prevenir el uso por personas no autorizadas y su daño.
- Guarde la unidad en un área seca y bien ventilada.
- Guarde la unidad fuera del alcance de los niños.

ALMACENAMIENTO POR LARGOS PERIODOS DE TIEMPO

Si debe guardar la unidad durante un largo período de tiempo:

1. Drene toda la gasolina del tanque en un recipiente. No use gasolina que haya estado guardada durante más de 60 días. Elimine la gasolina vieja de acuerdo con las normas federales, estatales y locales.
2. Arranque el motor y déjelo funcionar hasta que se ahogue. Esto asegura que toda la gasolina se haya drenado del carburador.
3. Deje enfriar el motor. Saque la bujía de encendido y coloque 5 gotas de aceite de motor de buena calidad en el cilindro. Tire de la cuerda de arranque lentamente para distribuir el aceite. Vuelva a instalar la bujía de encendido.

NOTA: Saque la bujía de encendido y drene todo el aceite del cilindro antes de intentar usar el recortador luego de haber estado guardado.

4. Cambie el aceite. Lea Cambio del Aceite. Elimine el aceite viejo de acuerdo con las normas federales, estatales y locales.
5. Limpie bien la unidad y verifique que no existan partes flojas ni dañadas. Repare o cambie las partes dañadas y ajuste los tornillos, las tuercas o los pernos que estén flojos. La unidad está lista para ser guardada.

TRANSPORTE

- Deje enfriar el motor antes de transportar la unidad.
- Asegure la unidad durante su transporte.
- Drene el tanque de gasolina antes de transportar la unidad.
- Ajuste la tapa de la gasolina antes de transportar la unidad.

RESOLUCIÓN DE PROBLEMAS

EL MOTOR NO ARRANCA

CAUSA

El tanque de combustible está vacío
 La bombilla de cebado no fue oprimida lo suficiente
 El combustible es viejo
 La bujía de encendido está arruinada
 Parachispas obstruido

ACCIÓN

Llene el tanque con combustible bien mezclado
 Oprima la bombilla de cebado total y lentamente de 10 veces
 Drene el tanque de gasolina / Agregue combustible nueva
 Cambie o limpie la bujía de encendido
 Limpie o cambie el parachispas

EL MOTOR NO FUNCIONA EN MINIMA

CAUSA

El filtro de aire está obstruido
 El combustible es viejo
 El carburador no está ajustado en forma correcta

ACCIÓN

Cambie o limpie el filtro de aire
 Drene el tanque de gasolina / Agregue combustible nueva
 Ajuste según las instrucciones

EL MOTOR NO ACELERA

CAUSA

El combustible es viejo
 El carburador no está ajustado en forma correcta

 El accesorio de corte está atascado de hierba
 El filtro de aire está sucio
 Parachispas obstruido

ACCIÓN

Drene el tanque de gasolina / Agregue combustible nueva
 Lleve la unidad a un proveedor de servicio autoriza do para hacer un ajuste de carburador
 Pare el motor y limpie el accesorio de corte
 Limpie o cambie el filtro de aire
 Limpie o cambie el parachispas

EL MOTOR NO TIENE SUFICIENTE POTENCIA O SE AHOGA AL CORTAR

CAUSA

El combustible es viejo
 El carburador no está ajustado en forma correcta

 La bujía de encendido está arruinada
 Parachispas obstruido

ACCIÓN

Drene el tanque de gasolina / Agregue combustible nueva
 Lleve la unidad a un proveedor de servicio autoriza do para hacer un ajuste de carburador
 Cambie o limpie la bujía de encendido
 Limpie o cambie el parachispas

NOTA: Para reparaciones más allá de los pequeños ajustes recién mencionados, comuníquese con su centro de Piezas y Reparaciones de Sears más cercano (**1-800-4-MY-HOME**[®]) u otra agencia de servicio calificada.

ESPECIFICACIONES

MOTOR*

Tipo de motor	Enfriado por aire, 4 ciclos
Desplazamiento	29 cc (1,8 pulgadas cúbicas)
r/min de operación	7 200+ r/min
r/min de velocidad mínima	2 800 - 3 600 r/min
Tipo de encendido	Electrónico - MAX FIRE IGNITION™
Interruptor de encendido	Interruptor oscilante
Huelgo de la válvula	0,076–0,152 mm (0,003–0,006 pulg)
Bujía	Bujía Champion #RDZ19H o Bujía Similar
Separación de la bujía de encendido	0,635 mm (0,025 pulg)
Lubricación	Aceite SAE 30
Capacidad de aceite del cárter del cigüeñal	90 ml (3,04 onzas)
Combustible	Sin plomo
Carburador	Diafragma, multiposicional
Arranque	Incredi-Pull™ Bobinado automático
Silenciador	Amortiguado con protección
Regulador	Retorno manual del resorte
Capacidad del tanque de combustible	414 ml (14 onzas)

EJE IMPULSOR Y ACCESORIO DE CORTE*

Bastidor del eje impulsor	Tube en acero (Craftsman Convertible™)
Control del regulador	Gatillo para el dedo
Peso de la unidad (sin combustible, con Hassle Free™, el protector y el accesorio de corte)	5,2 kg - 5,9 kg (11,5 libras - 13 libras)
Mecanismo de corte	Hassle Free™ Head
Bobina de la línea	Hassle Free™ XTRA QUIET Spiral Line

* Toda las especificaciones contenidas en este manual se basan en la información más reciente disponible en el momento de impresión del manual. Nos reservamos el derecho de hacer cambios en cualquier momento sin aviso previo.

Repair Protection Agreements

Congratulations on making a smart purchase. Your new Craftsman® product is designed and manufactured for years of dependable operation.

But like all products, it may require repair from time to time. That's when having a Repair Protection Agreement can save you money and aggravation.

Purchase a Repair Protection Agreement now and protect yourself from unexpected hassle and expense.

Here's what's included in the Agreement:

- Expert service by our 12,000 professional repair specialists
- Unlimited service and no charge for parts and labor on all covered repairs
- Product replacement if your covered product can't be fixed
- Discount of 10% from regular price of service and service-related parts not covered by the agreement; also, 10% off regular price of preventive maintenance check
- Fast help by phone – phone support from a Sears technician on products requiring in-home repair, plus convenient repair scheduling

Once you purchase the Agreement, a simple phone call is all that it takes for you to schedule service. You can call anytime day or night, or schedule a service appointment online.

Sears has over 12,000 professional repair specialists, who have access to over 4.5 million quality parts and accessories. That's the kind of professionalism you can count on to help prolong the life of your new purchase for years to come. Purchase your Repair Protection Agreement today!

Some limitations and exclusions apply.

For prices and additional information call **1-800-827-6655**.

Sears Installation Service

For Sears professional installation of home appliances, garage door openers, water heaters, and other major home items, in the U.S.A. call **1-800-4-MY-HOME®**

Convenios de Cobertura de Gastos para Reparaciones

Felicidades por haber hecho una compra inteligente. Su nuevo producto Craftsman está diseñado y fabricado para que opere de manera confiable durante años. Pero como todos los productos, pudiera necesitar una reparación cada cierto tiempo. Por eso el tener un Convenio de Cobertura de Gastos para Reparaciones puede ahorrarle dinero y disgustos.

Adquiera un Convenio de Cobertura de Gastos para Reparaciones ahora y protéjase de problemas y gastos inesperados.

He aquí lo que incluye el Convenio:

- **Servicio proporcionado** por nuestros 12.000 especialistas expertos en reparaciones profesionales
- **Servicio ilimitado sin cargos** por piezas ni mano de obra, en todas las reparaciones cubiertas
- **Reemplazo del producto**, si sus productos cubiertos no pueden arreglarse
- **Descuento del 10%** del precio regular del servicio y de piezas relacionadas con el servicio no cubiertas por el convenio; además, descuento del 10% del precio regular de los chequeos de mantenimiento preventivo
- **Ayuda rápida por teléfono:** apoyo telefónico por parte de un técnico de Sears en los productos que requieren reparación en el hogar, además de la programación de la reparación a una hora conveniente

Una vez que usted adquiera el Convenio, basta con una llamada telefónica para programar el servicio. Usted puede llamar a cualquier hora del día o de la noche, o programar por Internet una cita para el servicio.

Sears tiene más de 12.000 especialistas en reparaciones profesionales, que tienen acceso a más de 4,5 millones de piezas y accesorios de calidad. Ese es el tipo de profesionalismo con el que usted puede contar para ayudar a prolongar la vida útil de su nueva adquisición durante años. ¡Adquiera hoy mismo su Convenio de Cobertura de Gastos para Reparaciones!

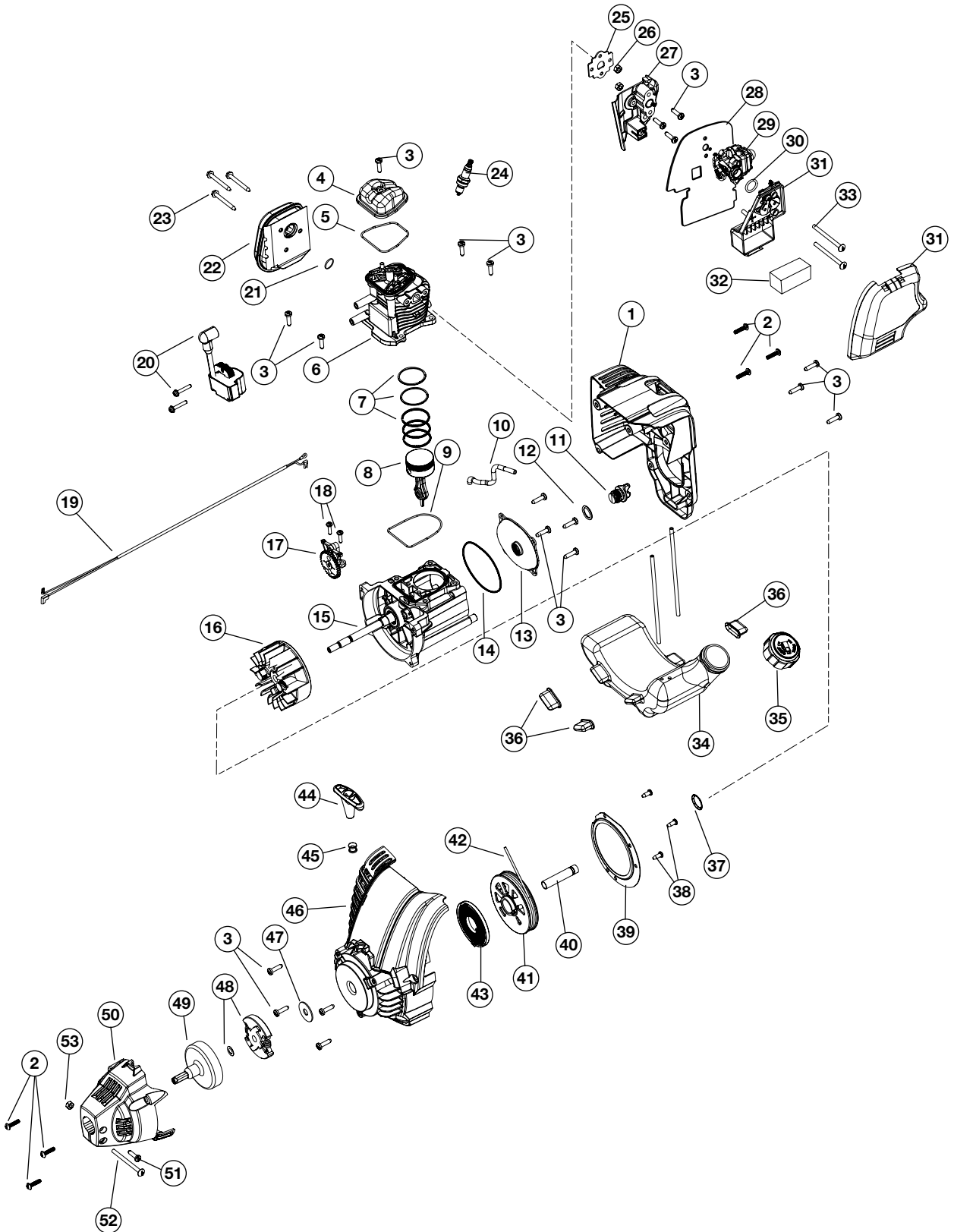
Se aplican algunas limitaciones y exclusiones. Para precios e información adicional, llame al 1-800-827-6655.

Servicio de Instalación de Sears

Para la instalación por parte de profesionales de Sears de efectos electrodomésticos; abridores de puertas de garaje, calentadores de agua y demás artículos domésticos de mayor cuantía, en los EE.UU., llame al **1-800-4-MY-HOME®**.

PARTS LIST

REPLACEMENT PARTS - MODEL 316.796170
4-CYCLE GAS TRIMMER

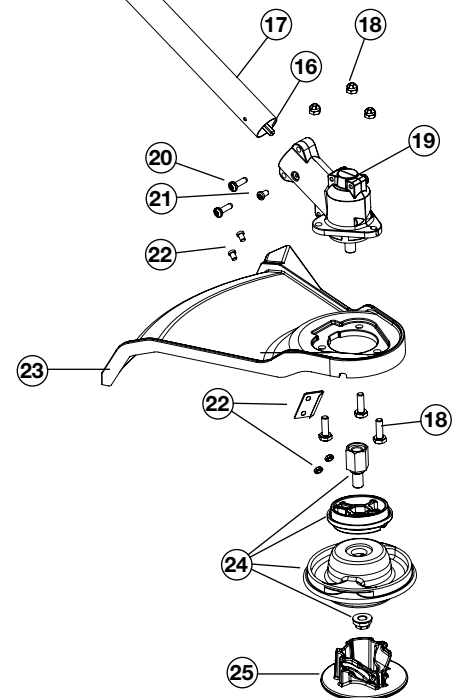
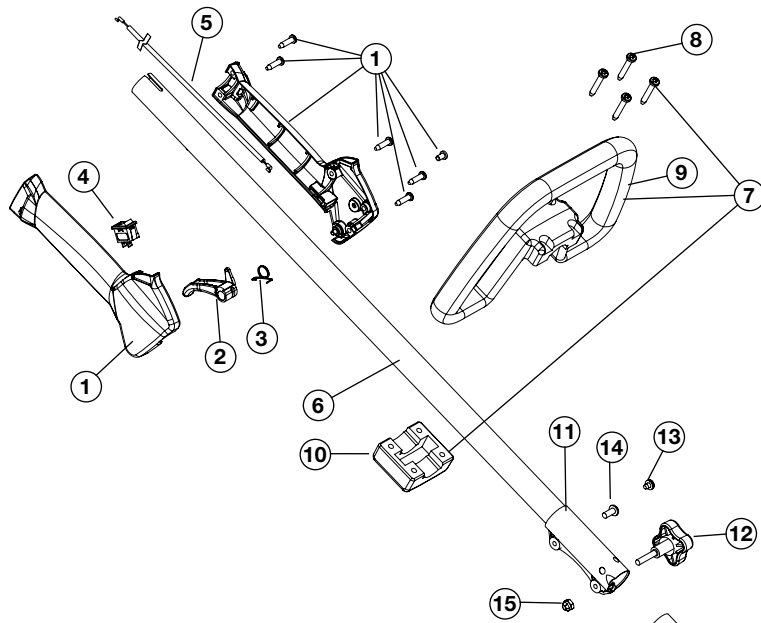


PARTS LIST**REPLACEMENT PARTS - MODEL 316.796170
4-CYCLE GAS TRIMMER**

Item	Part No.	Description	Item	Part No.	Description
1	753-05206	Engine Cover Assembly (includes 2 & 3)	30	791-181751	O-Ring
2	753-04595	Cover Screw	31	753-05302	Air Cleaner Cover Assembly (includes 32)
3	791-181003	Screw	32	753-05254	Air Filter
4	753-05209	Rocker Cover	33	753-05253	Screw
5	753-05210	Rocker Cover O-Ring	34	753-05256	Fuel Tank Assembly w/Fuel Lines (includes 35)
6	753-05228	Cylinder Assembly (includes 3, 5 & 9)	35	753-1229	Fuel Cap
7	753-05229	Piston Ring Assembly	36	753-05259	Fuel Tank Pads
8	753-05230	Piston Assembly (includes 7)	37	753-05260	Push Nut
9	753-05232	Cylinder O-Ring	38	753-1202	Pressure Plate Screw
10	791-182379	Breather Hose	39	753-05074	Pressure Plate (includes 38)
11	753-05236	Oil Plug (includes 12)	40	753-05078	Spacer
12	791-182290	Oil Plug O-Ring	41	753-05303	Starter Assembly (includes 42)
13	753-05237	Crankcase Cover	42	791-613103	Rope
14	753-05238	Crankcase Cover O-ring	43	753-04286	Recoil Spring
15	753-05325	Crankcase Assembly (includes 9, 10 & 14)	44	753-05011	Handle
16	753-05240	Flywheel Assembly	45	791-611061	Rope Guide
17	753-05241	Cam Bracket Assembly (includes 18)	46	753-05304	Starter Housing Assembly (includes 3 & 37-45)
18	753-05242	Cam Bracket Screw	47	791-182396	Washer
19	753-05264	Lead Wires	48	753-1238	Clutch & Clutch Washer
20	753-05301	Module Assembly	49	791-153592	Clutch Drum
21	753-05244	Muffler Gasket	50	753-05263	Clutch Cover (includes 2)
22	753-05245	Muffler Assembly (includes 21 & 23)	51	791-182519	Anti-Rotation Screw
23	753-05246	Muffler Screw	52	753-04003	Clamp Screw
24	753-05255	Spark Plug	53	791-180217	Nut
25	753-05247	Insulator Gasket	*	753-05297	Spark Arrestor Assembly
26	753-05248	Nut	*	753-05324	Shortblock Assembly (includes 3-12, 14, 15, 17 & 24)
27	753-05249	Insulator			
28	753-05366	Carburetor Gasket			
29	753-05251	Carburetor w/Primer			

PARTS LIST

REPLACEMENT PARTS - MODEL 316.796170
4-CYCLE GAS TRIMMER



Item	Part No.	Description
1	753-04234	Throttle Housing Assembly (includes 2-4)
2	753-04119	Throttle Trigger
3	791-182690	Throttle Trigger Spring
4	791-182405	Switch Assembly
5	753-05266	Throttle Cable Assembly
6	753-04236	Upper Drive Shaft Housing
7	791-180869	Deluxe D-Handle Assembly (includes 8-10)
8	791-181070	Screw
9	791-182167	D-Handle
10	791-182168	D-Handle Base
11	753-1190	Split Boom Coupler (includes 12-15)
12	791-181981	Adjustment Knob (includes 17)
13	791-182057	Screw
14	791-181617	Bolt
15	753-04386	Nut
16	791-181570	Lower Flexible Drive Shaft
17	753-04504	Lower Drive Shaft Housing
18	791-182200	Shield Mount Screw Assembly
19	753-05569	Gearbox Assembly
20	791-182195	Gearbox Screw
21	791-145569	Anti-Rotation Screw
22	791-682061	Blade Assembly
23	791-182189	Shield Assembly (includes 22)
24	753-05566	Cutting Head Assembly
25	753-05036	Cutting Head Cap

* Items Not Shown

Get it fixed, at your home or ours!

Your Home

For repair—**in your home**—of all major brand appliances, lawn and garden equipment, or heating and cooling systems, **no matter who made it, no matter who sold it!**

For the replacement parts, accessories and owner's manuals that you need to do-it-yourself.

For Sears professional installation of home appliances and items like garage door openers and water heaters.

1-800-4-MY-HOME® (1-800-469-4663)

Call anytime, day or night (U.S.A. and Canada)

www.sears.com

www.sears.ca

Our Home

For repair of carry-in items like vacuums, lawn equipment, and electronics, call or go on-line for the location of your nearest

Sears Parts & Repair Center

1-800-488-1222

Call any time, day or night (U.S.A. only)

www.sears.com

To purchase a protection agreement (U.S.A.) or maintenance agreement (Canada) on a product serviced by Sears:

1-800-827-6655 (U.S.A.)

1-800-361-6665 (Canada)

Para pedir servicio de reparación a domicilio, y para ordenar piezas:

1-800-SU-HOGAR®

(1-888-784-6427)

Au Canada pour service en français:

1-800-LE-FOYER^{MC}

(1-800-533-6937)

www.sears.ca

The Sears logo is displayed in a large, bold, serif font. The word "Sears" is written in a dark color, with a light-colored underline beneath the letters. The logo is centered horizontally and is flanked by two thick, light-colored horizontal bars that extend towards the left and right edges of the page.

® Registered Trademark / TM Trademark / SM Service Mark of Sears Brands, LLC

® Marca Registrada / TM Marca de Fábrica / SM Marca de Servicio de Sears Brands, LLC

MC Marque de commerce / MC Marque déposée de Sears Brands, LLC

© Sears Brands, LLC