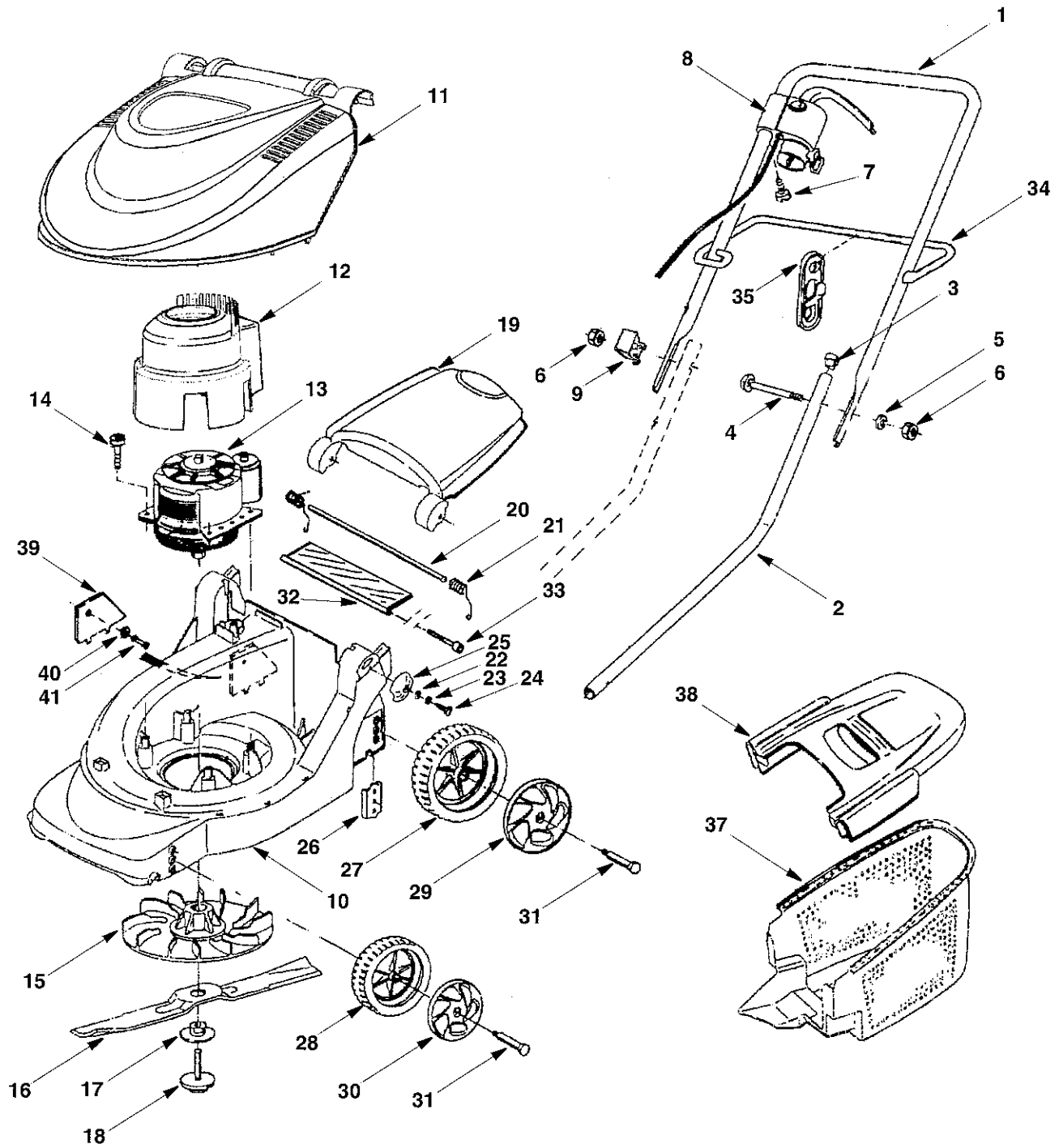


**SECTION 10: PARTS LIST**



| REF. NO. | PART NO.       | DESCRIPTION                      |
|----------|----------------|----------------------------------|
| 1        | 749-1042A      | Upper Handle                     |
| 2        | 749-1312       | Lower Handle                     |
| 3        | 720-0369       | Handle Plug                      |
| 4        | 710-1718       | Handle Bolt                      |
| 5        | 736-0649       | Lock Washer                      |
| 6        | 712-0690       | Hex Nut                          |
| 7        | 710-1757       | Screw                            |
| 8        | 725-1941       | Motor / Blade Control Switch     |
| 9        | 731-2427       | Cord Insulator                   |
| 10       | 731-2421-0638  | Mower Housing (Incl. Ref# 39-41) |
| 11       | 731-2088A-0637 | Electric Motor Cover             |
| 12       | 731-2224       | Air Guide Pot                    |
| 13       | 724-0310       | Electric Motor                   |
| 14       | 710-1756       | Screw                            |
| 15       | 631-0148       | Blade Hub Assembly               |
| 16       | 742-0804       | Cutting Blade                    |
| 17       | 731-1961       | Lock Washer                      |
| 18       | 624-0077       | Blade Bolt                       |
| 19       | 731-1971A-0637 | Rear Discharge Door              |
| 20       | 747-1072       | Rod                              |
| 21       | 732-0912       | Spring                           |
| 22       | 736-0697       | Washer                           |
| 23       | 736-0698       | Lock Washer                      |
| 24       | 710-1350       | Screw                            |
| 25       | 731-1805-0638  | Cap                              |
| 26       | 782-0609       | Holder Plate                     |
| 27       | 734-1884-0637  | Rear Wheel                       |
| 28       | 734-1885-0637  | Front Wheel                      |
| 29       | 720-0343-0637  | Rear Wheel Cap                   |
| 30       | 720-0342-0637  | Front Wheel Cap                  |
| 31       | 738-1031       | Axle Bolt                        |
| 32       | 731-2402       | Rear Trailing Shield             |
| 33       | 710-1758       | Screw                            |
| 34       | 747-1010       | Guide Rod                        |
| 35       | 726-0368-0637  | Cable Clamp                      |
| 37       | 731-1968-0637  | Grass Bag                        |
| 38       | 731-2426-0637  | Grass Bag Cover                  |
| 39       | 782-9095-0638  | Protection Plate                 |
| 40       | 736-0766       | Washer                           |
| 41       | 728-0286       | Rivet                            |