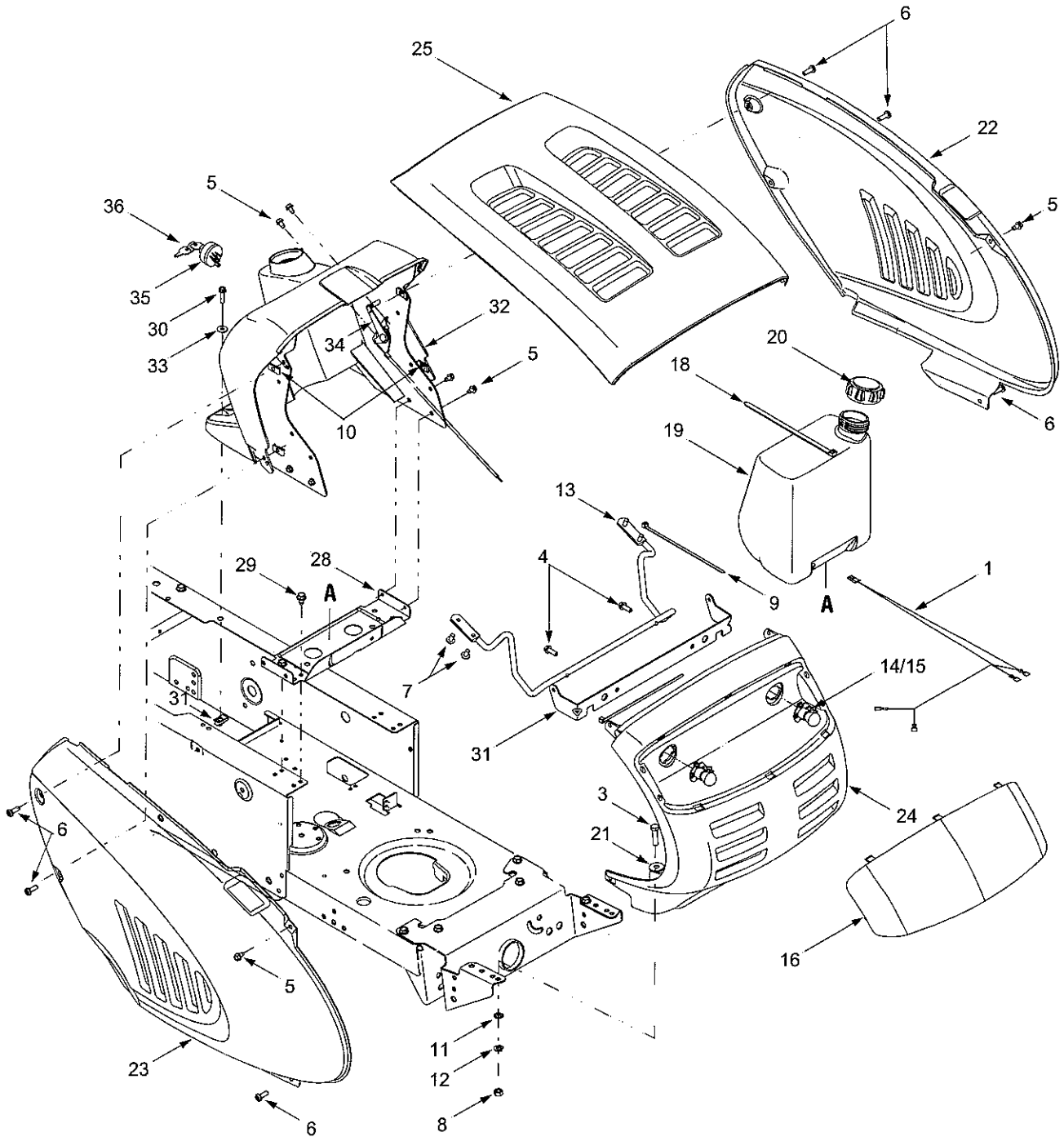


For Parts Call 606-678-9623 or 606-561-4983

www.mymowerparts.com

Model 689

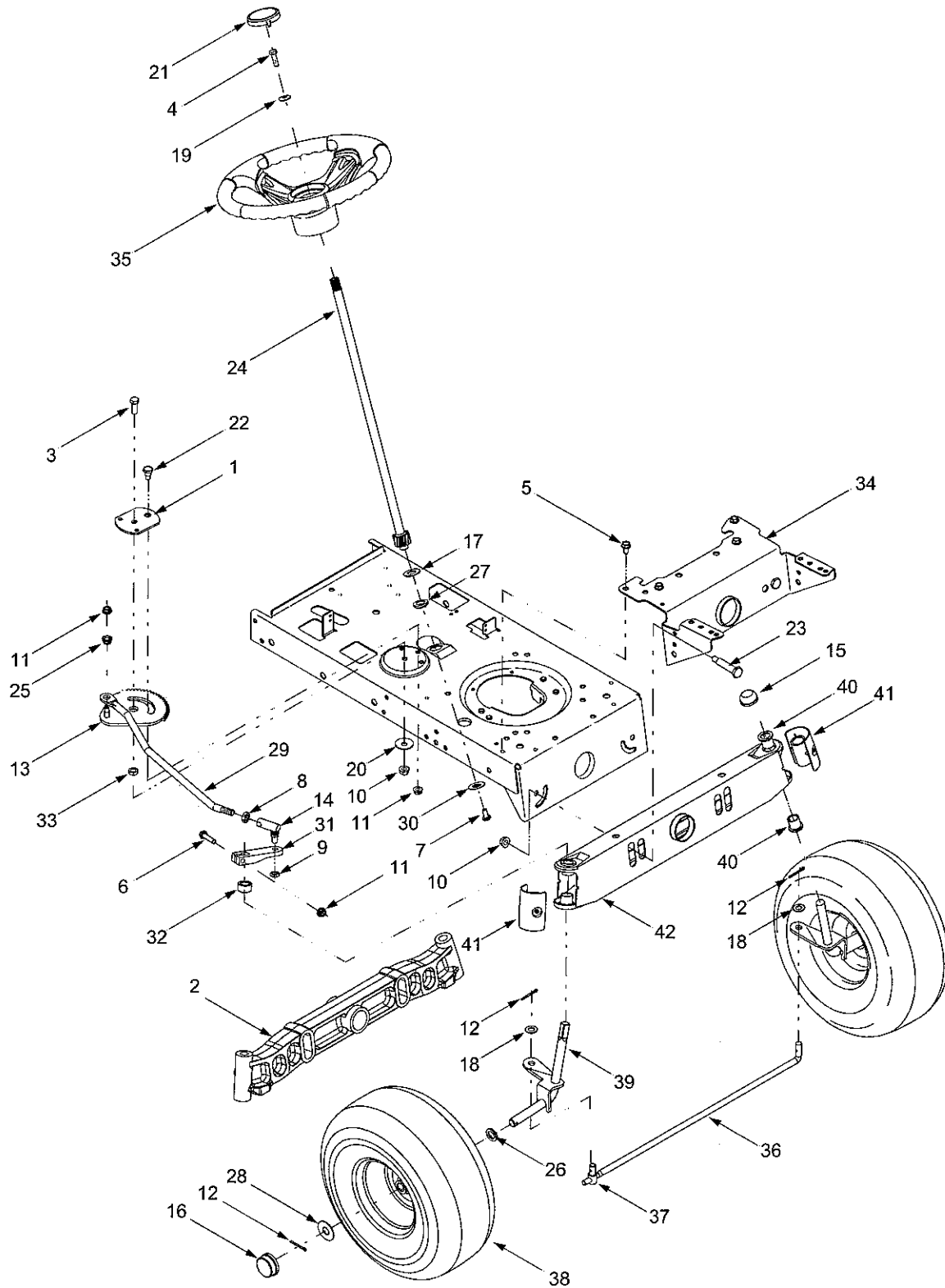


Model 689

REF. NO.	PART NO.	DESCRIPTION
1	629-0469B	Headlamp Harness Assembly
2	683-0195	Bracket Assembly
3	710-0528	Hex Screw, 5/16-18 x 1 50
4	710-0895	Self-tapping Screw, 1/4-15 x 75
5	710-0599	Self-tapping Screw, 1/4-20 x 5
6	710-0924	Machine Screw, 1/4-20 x .75
7	710-1017	Screw, 1/4-20 x .625
8	712-3010	Hex Nut, 5/16-18
9	725-0157	Cable Tie, 7.4"
10	712-0292	U-type Speed Nut
11	726-0201	Speed Nut, 5/16
12	736-0119	Lock Washer, 5/16
13	747-2138	Hinge Rod
14	725-0963	Headlamp, 12V
15	725-1649	Headlamp Socket
16	731-2637	Headlight Lens
17	735-0126	Rubber Washer, .87 x .33
18	726-0230	Cable Tie, 30.66
19	751-0555B	Fuel Tank, 1.5 gal.
20	751-0603	Fuel Tank Cap
21	736-3078	Flat Washer, .344 x 1.0 x .063
22	783-0785	LH Side Panel
23	783-0784	RH Side Panel
24	731-2119A	Grille
25	783-0783	Hood
26	783-0553A	Hood Support Bracket
27	783-1495	Hood Side Bracket
28	17632D	Battery Support Bracket
29	710-0607	Self-tapping Screw, 5/16-18 x .5
30	710-0788	Self-tapping Screw, 1/4-20 x 1.0
31	783-1346	Grille Support Bracket
32	731-04180	Dash Panel
33	736-3090	Flat Washer, .260 x .720 x .060
34	746-04020A	Throttle / Choke Control, 18.5"
35	725-1396	Ignition Switch, 6-pin
36	725-0201	Keys (pair)
—	777X40137	Headlight Lens Reflector (not shown)

NOTE: Tractor features vary by model. NOT all parts listed above and pictured on the previous page are standard equipment.

Model 689



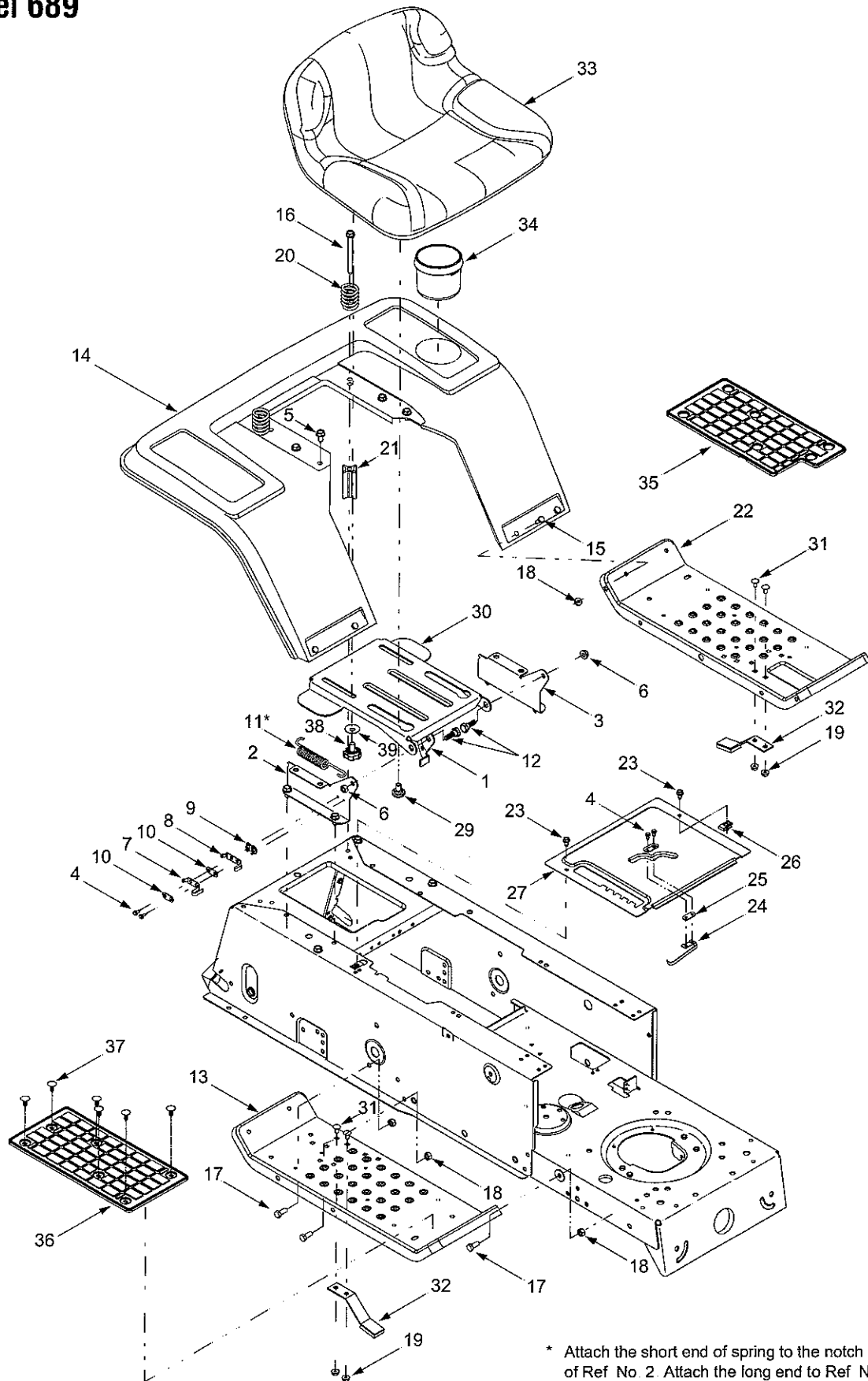
Models 698

REF. NO.	PART NO.	DESCRIPTION
1	17198A	Retainer Gear Segment Plate
2	719-0399B	Cast Iron Pivot Bar, .625
3	710-0514	Hex Cap Screw, 3/8-16 x 1 0
4	710-0643	Hex Cap Screw, 5/16-18 x 1.0
5	710-0726	Self-tapping Screw, 5/16-12 x .75
6	710-0805	Hex Cap Screw, 5/16-18 x 1.5
7	710-1309	Machine Screw, 5/16-18 x .75
8	712-0240	Jam Nut, 7/16-20 (Grade 2)
9	712-0262	Jam Nut, 3/8-24
10	712-0431	Flange Lock Nut, 3/8-16
11	712-3004A	Flange Lock Nut, 5/16-18
12	714-0470	Cotter Pin, 1/8 x 1.25
13	717-1757A	Steering Segment Gear
14	723-0448A	Ball Joint, 7/16 -20
15	726-0214	Push Cap, .625
16	731-0484A	Hub Cap
17	736-0187	Flat Washer, .64 x 1.24 x .060
18	736-0226	Flat Washer, .474 x .879 x .064
19	736-0242	Bell Washer, .34 x .872 x .060
20	736-0356	Bell Washer, .391 x .380 x .062
21	731-04681	Steering Wheel Cap, Small, Troy-Bilt
22	738-0141	Shoulder Screw, .435 x .350, 5/16-18
23	738-0527	Shoulder Screw, .498 x 2 045
24	738-0919	Steering Shaft, 21 86
25	741-0475	Plastic Bushing, .38 ID
26	736-0162	Flat Washer, .64 x 1 0 x .12
27	741-0656	Hex Flange Bearing, 5/8
28	736-0285	Flat Washer, .635 x 1.589 x .06
29	747-1268B	Steering Drag Link, 7/16-20
30	748-0389	Cap, 1.25 x .16
31	748-04014A	Steering Arm
32	748-04020	Spacer, 1.0 x .645 x .56
33	750-0535	Spacer, .380 x .625 x .21
34	783-0041D	Pivot Bar Bracket
35	631-04008	Steering Wheel, Three Spoke
36	747-04057	Tie Rod, Adjustable
37	711-04059	Ferrule, 3/8-24 x .437 Dia
38	634-0105A	Square Shoulder Wheel Ass'y Complete
39	683-04016	RH Axle Assembly
	683-04015	LH Axle Assembly
40	741-0487A	Flange Bearing
41	731-0405B	End Cap w/ Fitting
42	683-0002A	Steel Pivot Bar, .625

	Wheel Ass'y Complete	Rim Assembly	Inner Bearing	Outer Bearing	Tire Only	Air Valve
Square Shoulder	634-0105A	634-0172	741-0706 (Flange w/ Fitting)	741-0487A (Plastic Flange)	734-1731 (15 x 6 x 6)	734-0255

NOTE: Tractor features vary by model NOT all parts listed above and pictured on the previous page are standard equipment

Model 689



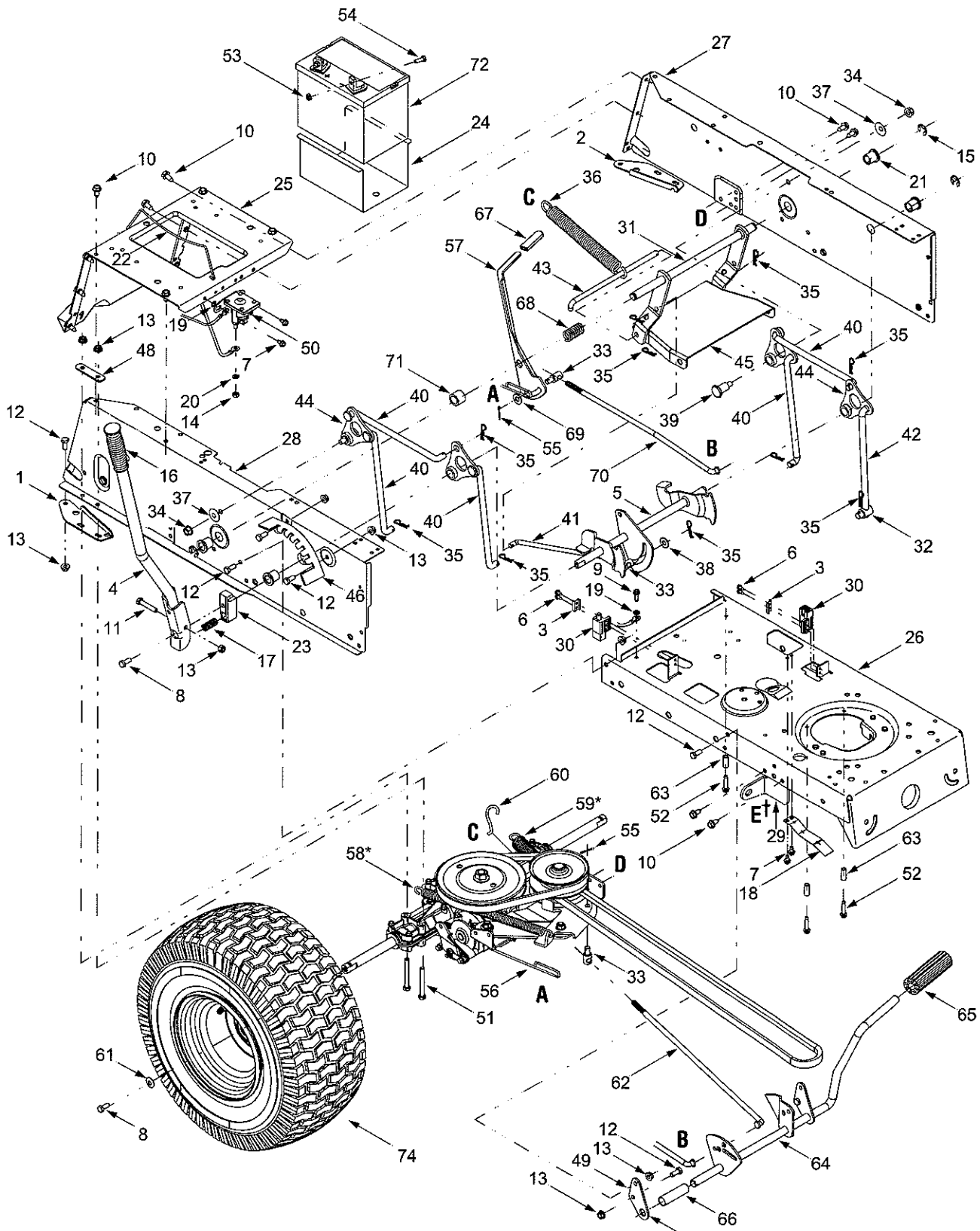
* Attach the short end of spring to the notch in the rear of Ref No. 2. Attach the long end to Ref No. 1.

Model 689

REF. NO.	PART NO.	DESCRIPTION
1	17239C	Seat Lift Bracket
2	17950A	RH Pivot Support Bracket, Seat
3	17951A	LH Pivot Support Bracket, Seat
4	710-0227	Self-tapping Screw, #8-18 x 50
5	710-0726	Self-tapping Screw, 5/16-12 x .75
6	712-0429	Hex Lock Nut, 5/16-18
7	725-1303	Outer Seat Spring Switch
8	725-1439	Inner Seat Spring Switch
9	726-0278	Insulator Plate Boss
10	726-0279	Insulator Plate
11	732-0581B	Extension Spring, .75 x 5.31
12	738-0296	Shoulder Screw, 437 x .286
13	17770G	Running Board
14	17870C	Fender (models w/o cupholder)
	783-04474	Fender (models w/ cupholder)
15	710-0751	Hex Screw, 1/4-20 x .620
16	710-1208	Self-tapping Screw, 5/16-18 x 3.5
17	710-3008	Hex Screw, 5/16-18 x .75
18	712-0429	Nylon Lock Nut, 5/16-18
19	712-3027	Flange Lock Nut, 1/4-20
20	732-04038	Compression Spring, 1.314 x 1 8
21	750-04212	Spacer
22	783-04139	LH Running Board
23	710-0599	Self-tapping Screw, 1/4-20 x 5
24	725-1643	Spring Switch, Long
25	726-0320	Insulator Nut Plate
26	726-3054	U-Clip Nut, 1/4-20
27	783-04050A	Shift Cover Panel, 8-speed
28	710-0870	Screw, 3/8-16 x .625
29	738-04012	Shoulder Screw, .625 x .175, 3/8-16
30	783-04081A	Seat Pivot Bracket, Manual Adjust
31	710-0703	Carriage Screw, 1/4-20 x .75
32	761-0168B	Blade Spindle Brake Assembly
33	757-04021	Low Back Seat, Black
34	731-04591	Cup Holder
35	735-04009	LH Rubber Foot Pad
36	735-0196	RH Rubber Foot Pad
37	726-3046	Ratchet Clip, .250 Dia
38	720-04009	Knob, 3/8-16 X .625
39	736-0219	Bell Washer, .389 x 1.120 x .030

NOTE: Tractor features vary by model. NOT all parts listed above and pictured on the previous page are standard equipment

Model 689



* Attach the ends of springs (Ref. 58 & Ref.59)
to the notch openings in the rear of Ref 25

† Refer to E† on Page 38

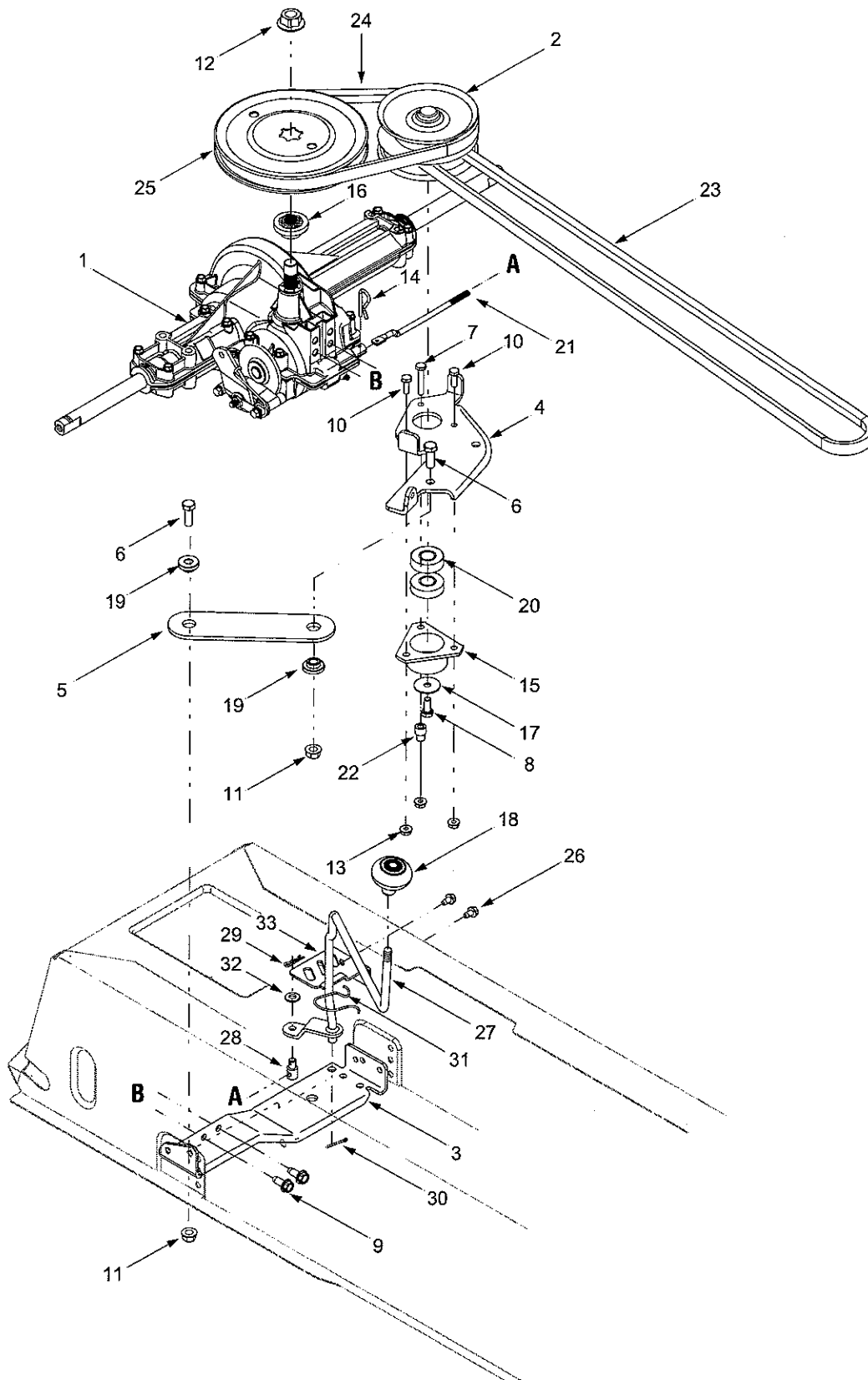
Model 689

REF. NO.	PART NO.	DESCRIPTION	REF. NO.	PART NO.	DESCRIPTION
1	17668A	RH Axle Support Bracket	38	736-0267	Flat Washer, 385 x 87 x .060
2	17669A	LH Axle Support Bracket	39	738-0322	Shoulder Bolt, 625 x .217
3	17962	Switch Plate	40	747-04018A	Deck Hanger Link
4	683-04025	Lift Handle Assembly	41	747-04040A	Deck Disengagement Rod
5	683-04049	Lift Shaft Assembly	42	747-04069A	Deck Hanger Link
6	710-0224	Self-tapping Screw, #10-16 x .5	43	747-04157	Rear Stabilizer Rod
7	710-0599	Self-tapping Screw, 1/4-20 x .5	44	748-04307	Lift Link
8	710-0627	Hex Cap Screw, 5/16-24 x .75	45	783-04294	Deck Stabilizer Bracket
9	710-0642	Self-tapping Screw, 1/4-20 x .75	46	783-04113	Deck Lift Index Bracket
10	710-0726	Self-tapping Screw, 5/16-12 x .75	47	17630A	Shift Lever Retainer
11	710-3180	Hex Cap Screw, 5/16-18 x 1.75	48	17840	Transaxle Mounting Bracket
12	710-3008	Hex Screw, 5/16-18 x .75	49	17860	Pedal Mounting Bracket
13	712-0429	Hex Lock Nut, 5/16-18	50	725-1426	Solenoid
14	712-3006	Hex Nut, 1/4-20	51	710-0176	Hex Cap Screw, 5/16-18 x 2.75
15	716-0106	E-Ring, .625 Dia Shaft	52	710-0809	Self-tapping Screw, 1/4-20 x 1.25
16	720-0233	Handle Grip	53	712-0271	Hex Sems Nut, 1/4-20
17	732-0369	Compression Spring, .55 x 1.37	54	710-3015	Hex Screw, 1/4-20 x .75
18	732-0750A	Switch Actuator Spring	55	714-0470	Cotter Pin
19	736-0222	External Lock Washer, 1/4	56	732-04029	Extension Spring, 59 x 12.38
20	736-0329	Lock Washer, 1/4	57	783-04059	Speed Select Lever
21	741-0487A	Flange Bearing, 632 ID	58	732-04075A	Extension Spring, .73 x 12.54
22	747-04031	Battery Hold-down Rod	59	732-04076	Extension Spring, 1.15 x 7.90
23	748-04011A	Lift Shaft Connector	60	732-0722A	Brake Return Spring
24	783-0345	Battery Tray	61	736-0242	Bell Washer, 34 x .872 x .060
25	783-0355D	Hitch Plate	62	747-04043	Variable Speed Control Rod
26	783-04011A	Lower Frame	63	750-0566A	Spacer, .260 x .372 x 1.030
27	783-04031	LH Upper Frame Side Panel	64	683-04005A	Clutch / Brake Pedal Assembly
28	783-04032	RH Upper Frame Side Panel	65	735-0196	Foot Pad, 4.6
29	783-04213	Deck Anti-sway Bracket	66	750-0802	Spacer, 640 x .76 x 2.63
30	725-04039	Screw-mount Interlock Switch	67	720-04008	Shift Handle Grip
31	683-04048	Stabilizer Shaft Assembly	68	732-04017	Compression Spring, .89 x 1.75
32	711-04036	Ferrule, 1/2-20 x 50	69	736-0300	Flat Washer, 406 x .875 x .059
33	711-04075A	Ferrule, 3/8-24 x .375	70	747-04039	Speed Control Rod
34	712-0130	Hex Lock Nut, 3/8-16	71	750-04080	Spacer, 640 x 1.0 x .78
35	714-04023	Internal Cotter Pin, .080 x 1.56	72	725-1737A	Battery, 190 CCA
36	732-04050A	Extension Spring, 1.07 x 9.52	73	712-3027	Flange Lock Nut, 1/4-20
37	736-0219	Bell Washer, 389 x 1.12 x .030	74	634-0104	Square Shoulder Wheel Ass'y Complete

	Wheel Assembly Complete	Rim Assembly	Tire Only	Air Valve
Square Shoulder	634-0104	634-0070	734-1730 (20 x 8 x 8)	734-0255

NOTE: Tractor features vary by model. NOT all parts listed above and pictured on the previous page are standard equipment.

Model 689

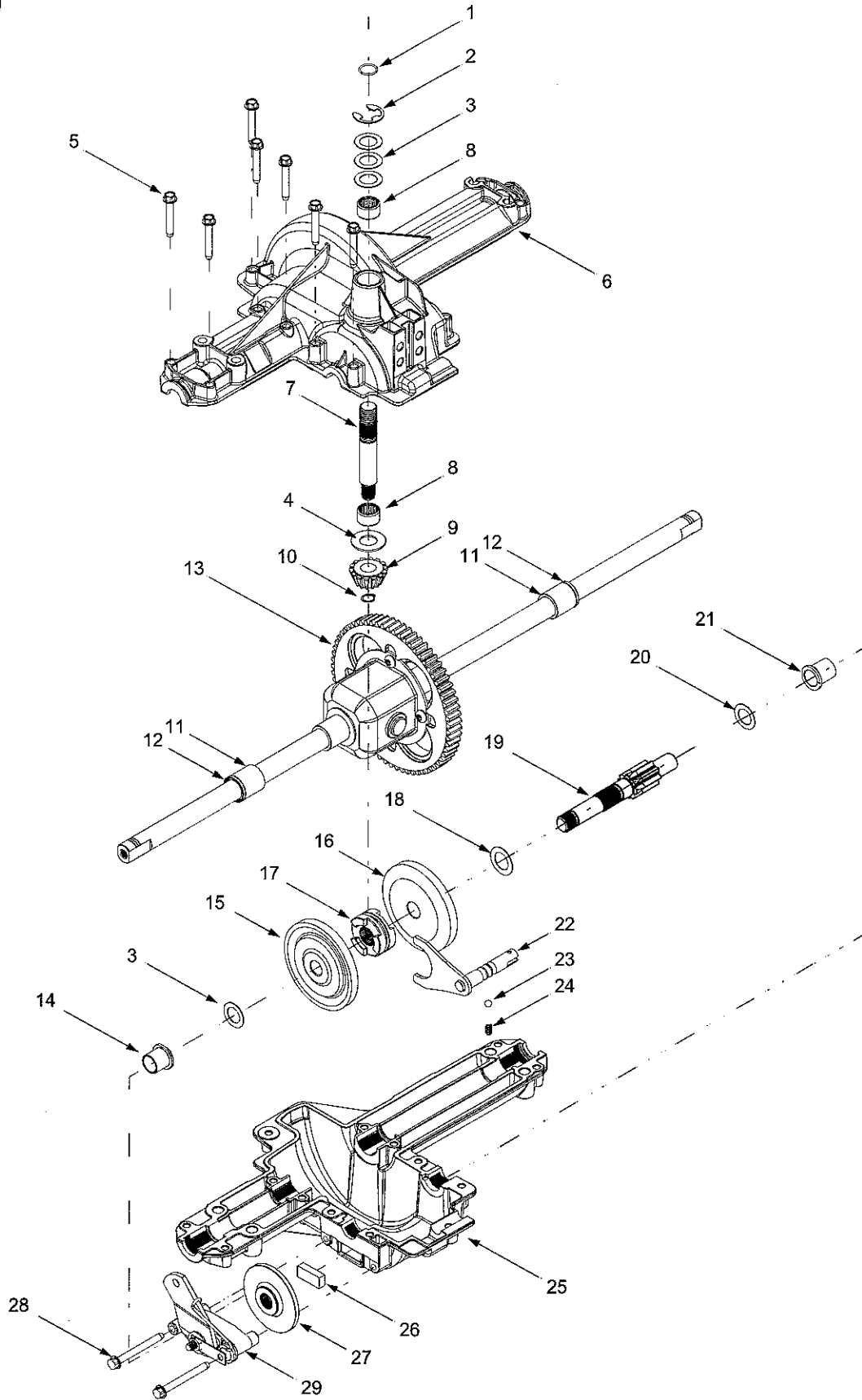


Model 689

REF. NO.	PART NO.	DESCRIPTION
1	618-04034	Transmission, Single-speed
2	656-0059A	Variable-speed Pulley, 4.75
3	683-04055	Torque Bracket
4	683-04056	Variable-speed Bracket
5	683-04057	Variable-speed Bracket
6	710-0514	Hex Cap Screw, 3/8-16 x 1.0
7	710-0606	Hex Cap Screw, 1/4-20 x 1.5
8	710-0627	Hex Cap Screw, 5/16-24 x .75
9	710-1260A	Screw, 5/16-18 x .75
10	710-3015	Hex Screw, 1/4-20 x .75
11	712-0431	Flange Lock Nut, 3/8-16
12	712-0700	Flange Nut, 9/16-18
13	712-3027	Flange Lock Nut, 1/4-20
14	714-0209	Internal Cotter Pin, .125
15	718-04012	Bearing Cup
16	718-0758A	Pulley Hub, 5/8 Spline
17	736-0362	Flat Washer, .320 x 1.25 x .06
18	720-04028	Shift Knob
19	738-0372B	Shoulder Spacer, 1.0 x .38 x .38
20	741-0600	Ball Bearing, 17 x 40 x 12
21	747-04072	Shift Rod
22	750-04099	Stepped Spacer
23	754-04001A	Lower Drive Belt
24	754-04002	Upper Drive Belt
25	756-04002	Transmission Pulley, 7.25
26	710-0599	Self-tapping Screw, 1/4-20 x .5
27	647-04019	Shift Lever Assembly
28	711-0736	Ferrule, 1/4-20 x 1.0
29	714-0104	Cotter Pin, 1.13
30	714-0470	Cotter Pin, 1.25
31	732-04067	Spring Compression Clip
32	736-0275	Flat Washer, .344 x .688 x .065
33	17630A	Shift Lever Retainer

NOTE: Tractor features vary by model. NOT all parts listed above and pictured on the previous page are standard equipment

Model 689



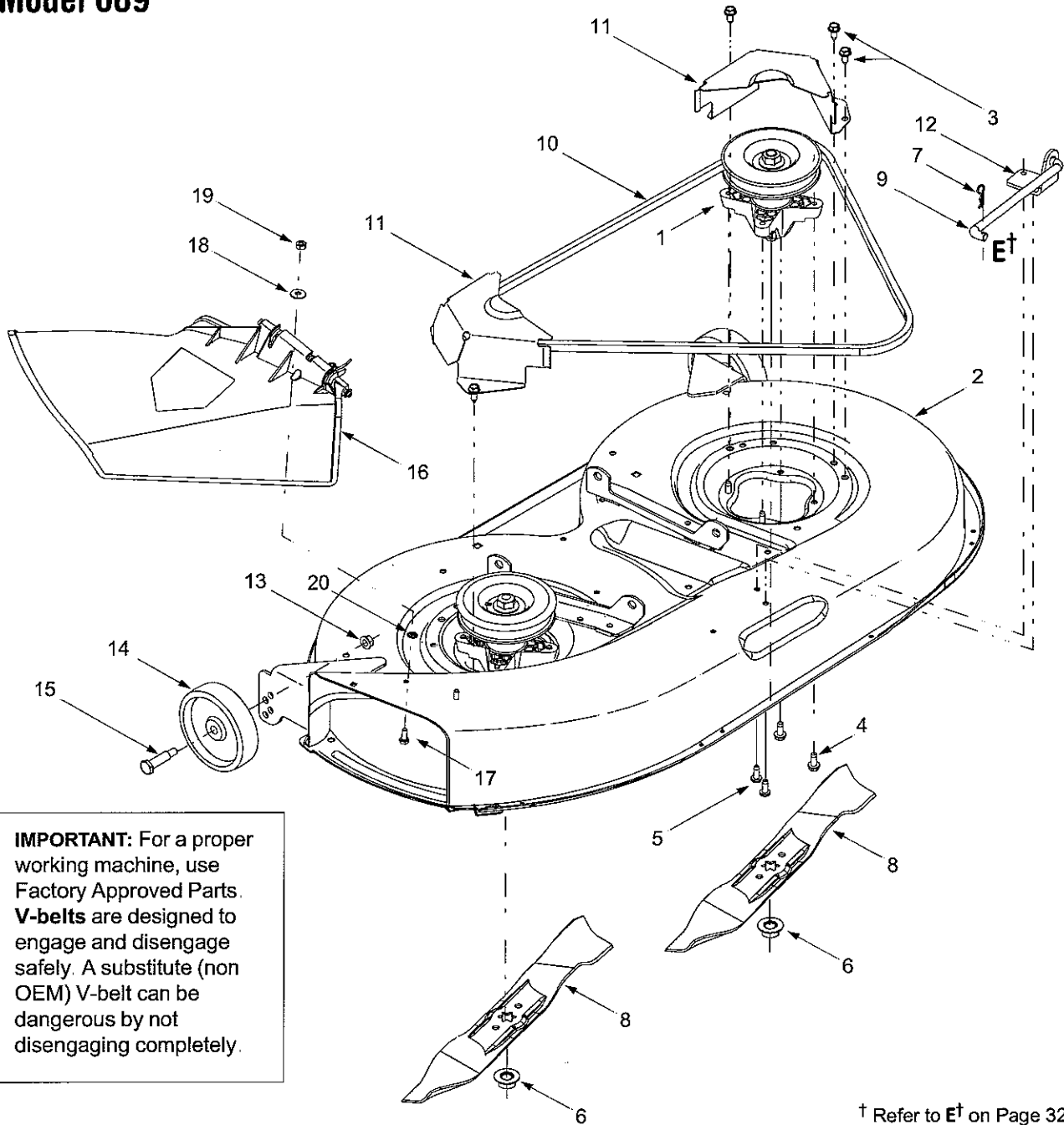
Model 689

REF. NO.	PART NO.	DESCRIPTION
1	732-0614	Ring, Wire
2	716-0231	Ring, E Type, .750
3	736-0336	Flat Washer, 5/8 x 1.0 x .030*
	736-0337	Flat Washer, 5/8 x 1.0 x .040*
	736-0349	Flat Washer, 5/8 x 1.0 x .020*
4	736-0335	Washer, Thrust .635 x 1.26 x .06
5	710-1325	Self-tapping Screw, 1/4-20 x 1.625
6	719-04017	Upper Housing
7	711-1109	Input Shaft
8	741-0335	Needle Bearing, 625 x .813 x .495
9	717-1464	14-tooth Bevel Pinion
10	716-0108	Retaining Ring, .437
11	741-0340	Sleeve Bearing, .75 x 1.0 x 1.0
12	721-0338	Seal, .75 x 1.0 x .125
13	618-04041	Differential Assembly
14	741-0336	Flange Bearing, 5/8 x 3/4 x 3/4
15	717-1362	42-tooth Bevel Gear
16	717-1363	42-tooth Bevel Gear
17	718-0228	Clutch Collar
18	736-0519	Flat Washer, .70 x 1.125 x .031
19	711-04053	Drive Shaft
20	736-0495	Thrust Washer, 1.0 x .632 x .0
21	741-0337	Flange Bearing, 5/8 x 3/4 x 15/16
22	611-0011	Detent Shaft Assembly
23	741-0862	Detent Ball
24	732-0863	Compression Spring
25	719-04018	Lower Housing
26	717-0678	Brake Puck
27	761-0202	Brake Disc
28	710-1206	Self-tapping Screw, 1/4-20 x 2.375
29	661-0001	Brake Assembly
—	737-0148	Grease (19 oz.)

*Use applicable flat washer (12a, 12b or 12c) in this application allowing .0150/.0020 in end-play

NOTE: If rebuilding the upper housing, include two ounces (2 oz.) of Unirex® N3 grease (Part No. 737-0289) in the input shaft cavity.

Model 689



† Refer to E† on Page 32

REF. NO.	PART NO.	DESCRIPTION	REF. NO.	PART NO.	DESCRIPTION
1	618-0142A	Spindle Assembly	11	783-04149B	Belt Cover
2	683-04035A	Deck Shell	12	783-04211	Anti-sway Stabilizer Bracket
3	710-0726	Self-tapping Screw, 5/16-12 x .75	13	712-0431	Flange Lock Nut, 3/8-16
4	710-1260A	Screw, 5/16-18 x .75	14	734-0973	Deck Wheel, 5 x 1.38
5	710-1611B	Self-tapping Screw, 5/16-18 x .75	15	738-0373	Shoulder Screw, 498 x 1.53
6	712-0417A	Hex Flange Nut, 5/8-18	16	731-1032B	Discharge Chute Assembly
7	714-04023	Internal Cotter Pin, .080 x 1.56	17	710-0751	Hex Cap Screw:1/4-20 x .620
8	742-0611B	Blade, 21 23"	18	736-0270	Bell Washer, .265 x .75 x .062
9	747-04018	Deck Hanger Link/Anti-sway Rod	19	712-3006	Hex Nut, 1/4-20
10	754-0371A	Deck Belt	20	726-0233	Push Nut, 1/4

Model 689

