

1	618-04229	Transmission Assembly
2	710-04223	Screw, M6 x 1.0
3	715-0221	Dowel Pin
4	717-04184	Spur Gear, 14T - LH
5	717-04192	Spur Gear, 14T - RH
6	732-0611	Extension Spring, .38 OD x 3.6
7	736-0414	Flat Washer, .570 x 1.120 x .062
8	741-0710	Sleeve Bearing, .502 x .627 x 1.00
9	748-04073	Transmission Bearing Support
10	750-04317	Clip Spacer
11	754-04078A	V-Belt, 3L x 35.5
12	782-7551A	Wheel Dust Cover
13	787-01262	Transmission Cable Bracket
14	634-04209	Rear Wheel
15	734-04087	Front Wheel

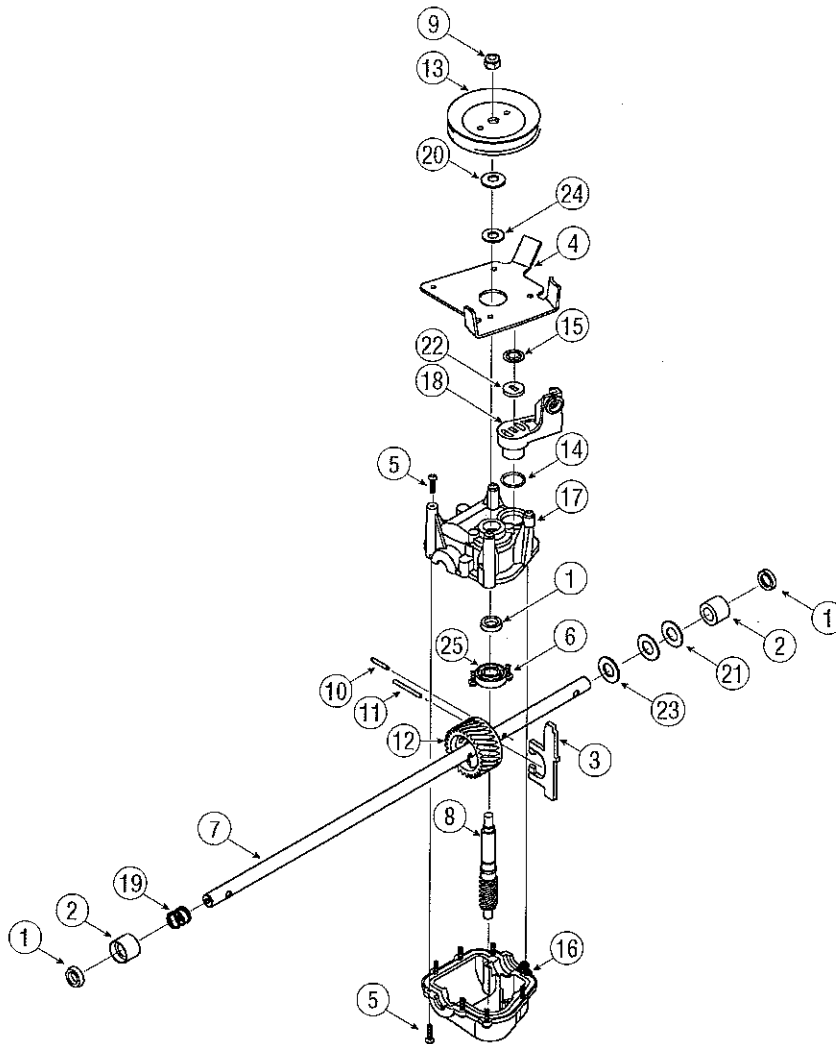
16	687-02133	Front Bracket Assembly
17	687-02134	Rear Bracket Assembly
18	687-02148	Handle Bracket Assembly - RH
19	687-02149	Handle Bracket Assembly - LH
20	710-0599	TT Screw, 1/4-20 x .500
21	712-0431	Flange Lock Nut, 3/8-16
22	714-0174	Cotter Pin
23	720-0223	Grip
24	732-04261	Spring Lever
25	732-04271	Extension Spring, .500 ID x 6.85 Lg
26	741-04136	Split Hex Flange Bearing
27	750-04305	Spacer
28	787-01235	Cross Bracket
29	787-01251	Stop Bracket

# 8

## Parts List

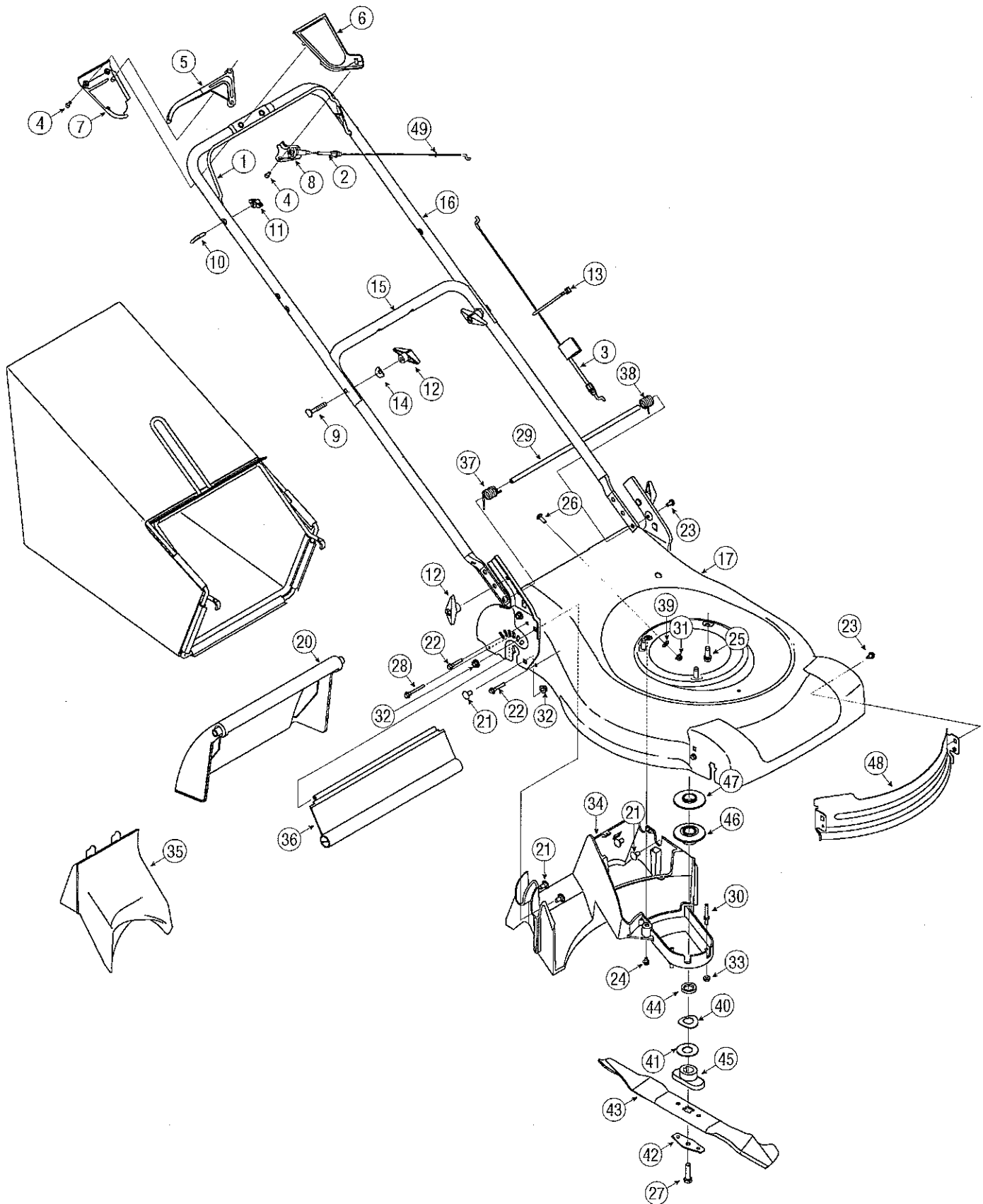


To order replacement parts, contact 1-800-800-7310 or visit [www.mtdproducts.com](http://www.mtdproducts.com).



1	721-04107	Oil Seal
2	741-04106	Plastic Bushing
3	707-04409	Shift Fork
4	707-04540	Transmission Bracket
5	710-04329	Screw, .159 OD x .610
6	710-04374	Hex Screw, .159 OD x .43
7	711-04386	Output Shaft
8	711-04394	Input Shaft
9	712-0411	Hex Lock Nut, 5/16-24
10	715-0129	Spirol Pin
11	715-04030	Dowel Pin
12	717-04194	Plastic Gear, 28T
13	756-04151	Pulley, 3.36 OD

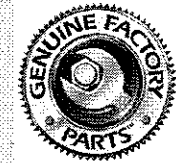
14	721-04110	O-Ring
15	726-04043	Push Nut, 3/8 ID x 3/4 OD
16	731-04883	Lower Housing
17	731-05099	Upper Housing
18	731-05100	Clutch Lever
19	732-04278	Compression Spring, .525 ID x .588
20	736-0105	Bell Washer, .375 x .870 x .063
21	736-04170	Flat Washer, .508 ID x 1.00 OD
22	736-04178	Felt Slotted Washer
23	736-0572	Flat Washer, .510 x 1.00 x .060
24	736-0864	Thrust Washer, .375 x .812 x .060
25	741-04116	Ball Bearing



1	747-1161A	Blade Control	26	710-0703	Carriage Screw, 1/4-20 x .75
2	746-04195	Drive Cable	27	710-1044	Screw, 3/8-24 x 1.50
3	746-04213	Control Cable	28	710-1802	Screw, 1/4-20 x 2.00
4	710-1667	Screw, #10-16 x .625	29	711-04374	Door Pivot Rod
5	731-0620	Drive Control Lever	30	711-0993	Belt Guard Pin
6	731-1057	Upper Control Cover	31	712-04064	Flange Lock Nut, 1/4-20
7	731-1058	Lower Control Cover	32	712-3004A	Flange Lock Nut, 5/16-18
8	731-1059	Mounting Cap	33	712-3027	Flange Lock Nut, 1/4-20
9	710-1174	Carriage Bolt, 5/16-18 x 2.0	34	731-05154	Deck Baffle
10	710-1205	Eye Bolt	35	731-05157	Mulch Plug
11	720-0279	Wing Nut	36	731-05185	Trailshield
12	720-0284	Handle Knob	37	732-04264	Door Torsion Spring - RH
13	725-0157	Cable Tie	38	732-04265	Door Torsion Spring - LH
14	736-0451	Saddle Washer, .320 x .93 x .060	39	736-0463	Flat Washer, .25 x .630 x .0515
15	749-04202	Lower Handle	40	736-0513	Spring Washer, .890 x 1.70 x .048
16	749-04209	Upper Handle	41	736-0514	Flat Washer, .885 x 1.850 x .060
17	787-01230	21" Deck	42	736-0524B	Blade Bell Support
18	647-04048	Grass Catcher Frame	43	742-0741	21" Mulching Blade
19	664-04038	Grass Catcher	44	748-0358	Engine Spacer
20	731-05017	Rear Door	45	748-0376C	Blade Adapter
21	710-0260A	Carriage Bolt, 5/16-18 x .62	46	756-04156	Lower Engine Pulley
22	710-1241	Screw, 1/4-15 x 1.00	47	756-04157	Upper Engine Pulley
23	710-0599	TT Screw, 1/4-20 x .500	48	787-01224	Front Deck Baffle
24	710-0653	TT Screw, 1/4-20 x .375	49	735-0226	Rubber Gromet
25	710-0654A	Screw, 3/8-16 x 1.00			

8

## Parts List



To order replacement parts, contact 1-800-800-7310 or visit [www.mtdproducts.com](http://www.mtdproducts.com).

### IMPORTANT

For a proper working machine, use Factory Approved Parts. **V-BELTS** are specially designed to engage and disengage safely. A substitute (non OEM) V-Belt can be dangerous by not disengaging completely.



## MANUFACTURER'S LIMITED WARRANTY FOR



The limited warranty set forth below is given by MTD LLC with respect to new merchandise purchased and used in the United States, its possessions and territories

"MTD" warrants this product against defects in material and workmanship for a period of two (2) years commencing on the date of original purchase and will, at its option, repair or replace, free of charge, any part found to be defective in materials or workmanship. This limited warranty shall only apply if this product has been operated and maintained in accordance with the Operator's Manual furnished with the product, and has not been subject to misuse, abuse, commercial use, neglect, accident, improper maintenance, alteration, vandalism, theft, fire, water, or damage because of other peril or natural disaster. Damage resulting from the installation or use of any part, accessory or attachment not approved by MTD for use with the product(s) covered by this manual will void your warranty as to any resulting damage.

Normal wear parts are warranted to be free from defects in material and workmanship for a period of thirty (30) days from the date of purchase. Normal wear parts include, but are not limited to items such as: batteries, belts, blades, blade adapters, grass bags, rider deck wheels, seats, snow thrower skid shoes, shave plates, auger spiral rubber and tires.

**HOW TO OBTAIN SERVICE:** Warranty service is available, WITH PROOF OF PURCHASE, through your local authorized service dealer. To locate the dealer in your area, check your Yellow Pages, or contact MTD LLC at P.O. Box 361131, Cleveland, Ohio 44136-0019, or call 1-800-800-7310 or log on to our Web site at [www.mtdproducts.com](http://www.mtdproducts.com).

This limited warranty does **not** provide coverage in the following cases:

- a. The engine or component parts thereof. These items may carry a separate manufacturer's warranty. Refer to applicable manufacturer's warranty for terms and conditions.
- b. Log splitter pumps, valves, and cylinders have a separate one year warranty.
- c. Routine maintenance items such as lubricants, filters, blade sharpening, tune-ups, brake adjustments, clutch adjustments, deck adjustments, and normal deterioration of the exterior finish due to use or exposure.
- d. Service completed by someone other than an authorized service dealer.

- e. MTD does not extend any warranty for products sold or exported outside of the United States, its possessions and territories, except those sold through MTD's authorized channels of export distribution.
- f. Replacement parts that are not genuine MTD parts.
- g. Transportation charges and service calls.

**No implied warranty, including any implied warranty of merchantability of fitness for a particular purpose, applies after the applicable period of express written warranty above as to the parts as identified. No other express warranty, whether written or oral, except as mentioned above, given by any person or entity, including a dealer or retailer, with respect to any product, shall bind MTD. During the period of the warranty, the exclusive remedy is repair or replacement of the product as set forth above.**

**The provisions as set forth in this warranty provide the sole and exclusive remedy arising from the sale. MTD shall not be liable for incidental or consequential loss or damage including, without limitation, expenses incurred for substitute or replacement lawn care services or for rental expenses to temporarily replace a warranted product.**

Some states do not allow the exclusion or limitation of incidental or consequential damages, or limitations on how long an implied warranty lasts, so the above exclusions or limitations may not apply to you.

In no event shall recovery of any kind be greater than the amount of the purchase price of the product sold. **Alteration of safety features of the product shall void this warranty.** You assume the risk and liability for loss, damage, or injury to you and your property and/or to others and their property arising out of the misuse or inability to use the product.

This limited warranty shall not extend to anyone other than the original purchaser or to the person for whom it was purchased as a gift.

**HOW STATE LAW RELATES TO THIS WARRANTY:** This limited warranty gives you specific legal rights, and you may also have other rights which vary from state to state.

**IMPORTANT:** Owner must present Original Proof of Purchase to obtain warranty coverage.

MTD LLC, P.O. BOX 361131 CLEVELAND, OHIO 44136-0019; Phone: 1-800-800-7310