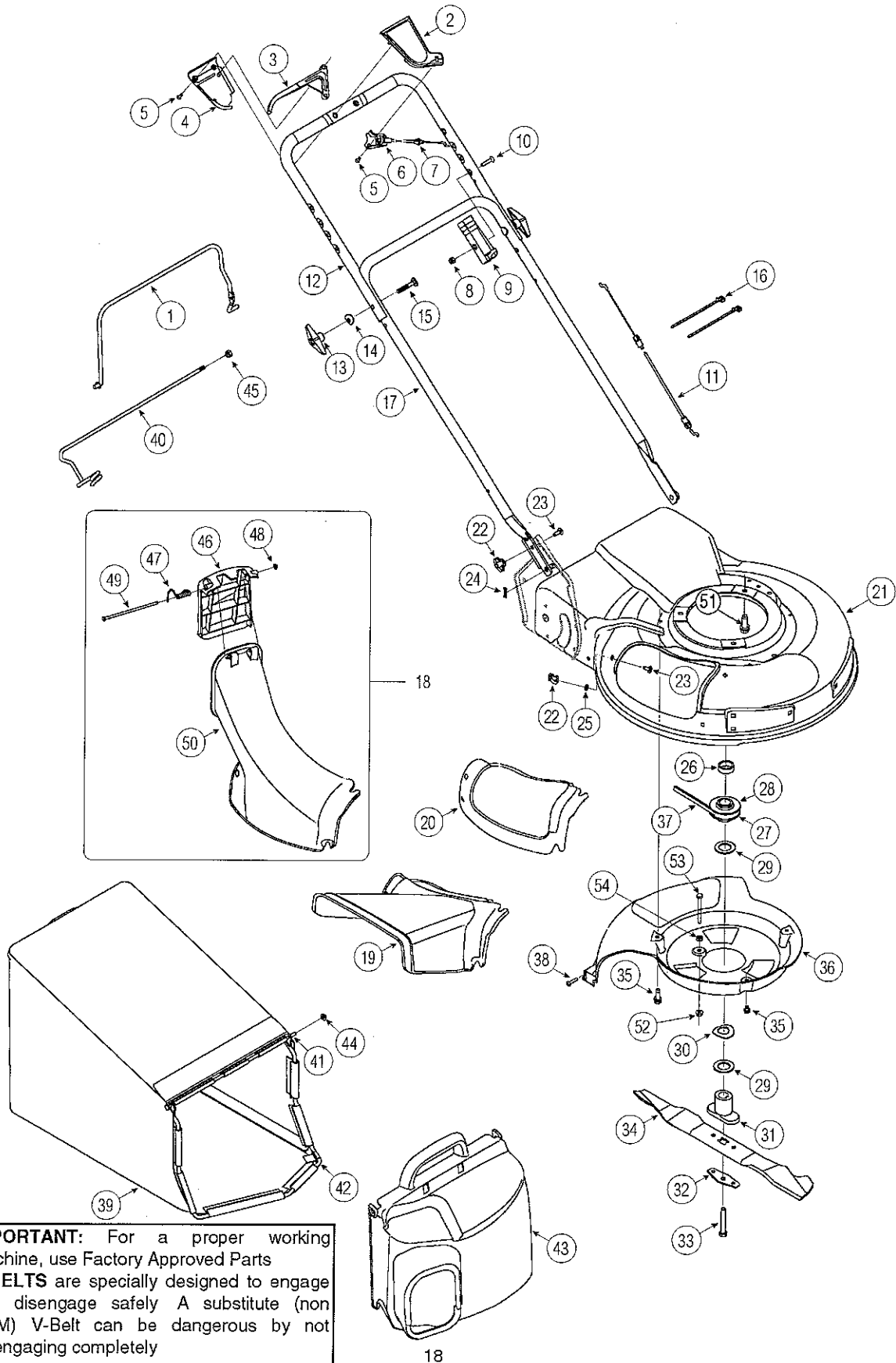


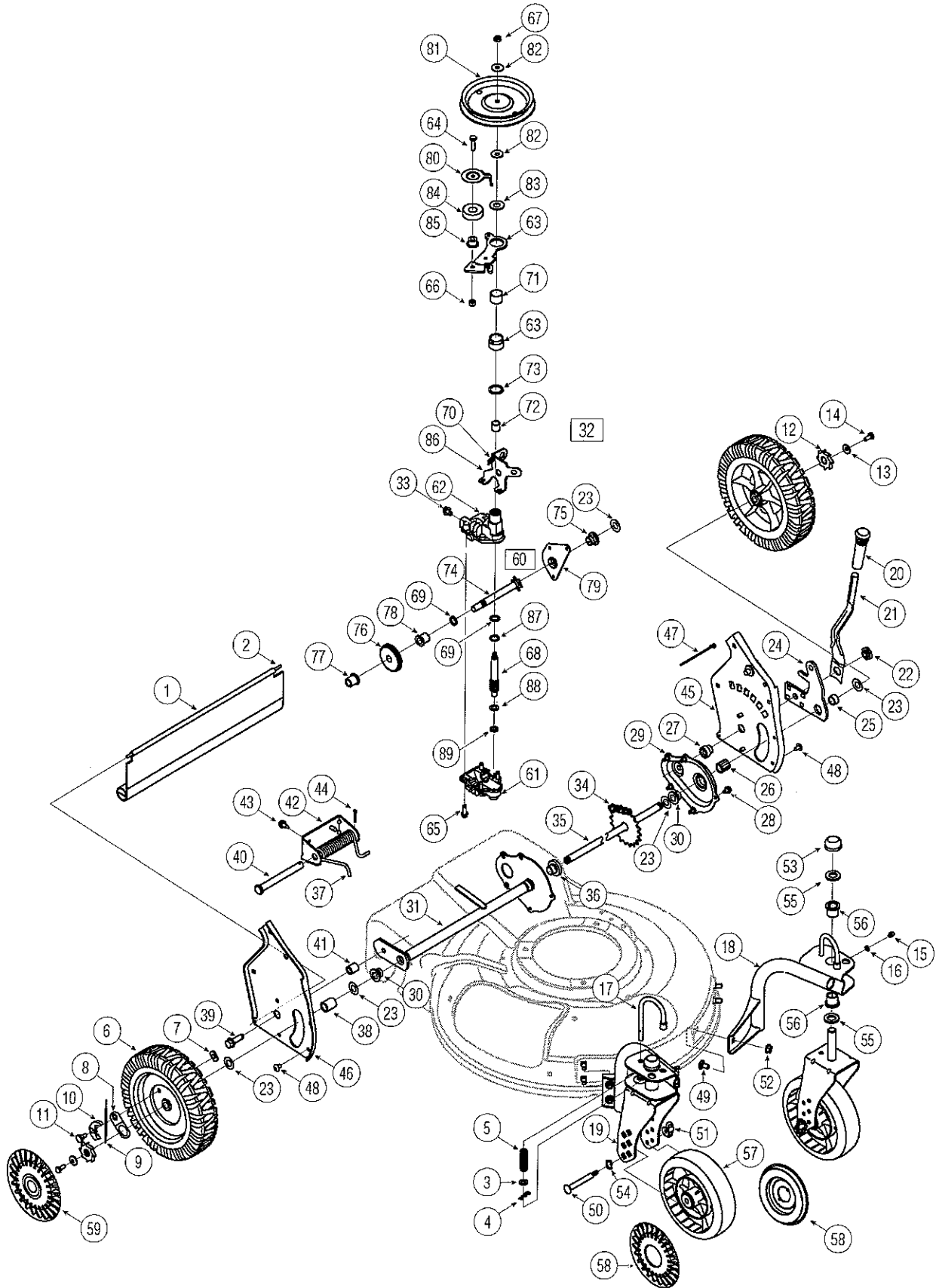
SECTION 11: PARTS LIST FOR MODEL 986



Model 986

Ref. No.	Part No.	Description	Ref. No.	Part No.	Description
1.	647-0004	Control Handle	28.	756-04161	Half Pulley: Upper 25mm x 2.62
2.	731-1057	Upper Control Housing	29.	736-0250	Flat Washer 1.00 x 1.75 x .107
3.	731-0620	Control Lever	30.	736-04173	Spring Washer 1.005 x 1.825 x .048
4.	731-1058	Lower Control Housing	31.	748-04082	Blade Adapter Kit
5.	710-1667A	C Sunk Tap Screw #10 x .75 Leg	32.	736-0524B	Blade Bell Support
6.	731-1059	Cable Mounting Cap	33.	710-1257	Hex Bolt 3/8-24 x 2.5
7.	746-0711B	Drive Cable 51"	34.	742-0741	21" Mulching Blade
8.	712-0324	Top Lock Nut 1/4-20	35.	710-0653	Screw 1/4-20 x 3.75
9.	746-0883	Control Housing	36.	731-1828	Baffle
10.	710-1270	Oval C-Sunk Screw	37.	754-0460	Belt 3/8 x 39.24
11.	746-0557	Control Cable 47"	38.	710-0969	HL Screw #12-16 x 1.00
12.	749-0439D	Upper Handle	39.	664-0076	Grass bag
13.	720-0284	Wing Nut	40.	747-0940A	Support Rod w/ Rope Guide
14.	736-0451	Saddle Washer .320 ID x .830 OD	41.	747-0939	Pivot Rod
15.	710-1174	Carriage Bolt 5/16-18 x 2.0	42.	747-0937	Grass bag Frame
16.	726-0240	Cable Tie	43.	631-0071	Grass bag Cover
17.	749-0907B	Lower Handle	44.	726-0106	Cap Nut
18.	631-0066	Chute Assembly	45.	712-0429	Hex Nut 5/16-18
19.	731-1832	Side-Discharge Chute	46.	731-1874	Chute Door
20.	731-1833A	Mulch Cover	47.	732-0819	Torsion Spring
21.	782-0078B	Deck 21"	48.	726-0111	Push Cap
22.	712-0397	Wing Nut	49.	747-0965	Pivot Rod
23.	710-0703	Carriage Bolt 1/4-20 x .75"	50.	731-1713B	Discharge Chute
24.	714-0104	Cotter Pin	51.	710-0654A	Sems Screw 3/8-16 x 1.00
25.	726-0233	Push Nut .25 x ID x .50 OD	52.	712-3027	Flange Lock Nut, 14-20
26.	750-04438	Sleeve Spacer 25mm x 1.375 x .440	53.	710-1802	Special Screw
27.	756-04160	Half Pulley: Key 25mm x 2.62 OD	54.	712-0287	Hex Nut, 1/4-20

Model 986



Model 986

Ref. No.	Part No.	Part Description	Ref. No.	Part No.	Part Description
1	731-1901A	Trail Shield	44	714-0474	Cotter Pin
2	732-0842	Trail Shield Wire	45	682-3053	Handle Bracket Assembly - LH
3	736-0264	Flat Washer 330 ID x 630 OD	46	682-3052	Handle Bracket Assembly - RH
4	714-0104	Cotter Pin	47	725-0157	Cable Tie
5	732-0306	Compression Spring	48	710-1348	Screw 1/4-14 x 500
6	734-2044	Wheel 9 x 2	49	710-0260A	Carriage Bolt 5/16-18 x 62
7	712-0414	Top Lock Tab Weld Nut 1/4-20	50	711-1146	Caster Axle
8	16855	Ratchet Pawl Plate	51	712-0397	Wing Nut
9	10622B	Plastic Spring Ratchet	52	712-3004A	Flange Lock Nut 5/16-18
10	748-0381	Pawl RH	53	726-0214	Push Cap
	748-0188B	Pawl LH	54	736-0232	Wave Washer 531 ID x 781 OD
11	738-0137A	Shoulder Screw 340 ID x 285 OD	55	736-0366	Flat Washer 640 ID x 1 12 OD
12	748-0318	Wheel Ratchet	56	741-0685	Flange Bearing
13	736-0270	Bell Washer 265 ID x 75 OD	57	734-1857	Wheel 7 x 2
14	710-0751	Hex Cap Screw 1/4-20 x 620	58	731-1887	Hubcap - Spoke w/ Hole
15	737-3000	Grease Fitting	59	731-0981A	Hubcap - Radial Spoke
16	736-0931	Flat Washer 203 ID x 403 OD	60	611-0066	Shaft Assembly
17	747-0924	Wheel Pin Lock	61	618-0252	Lower Housing Assembly
18	682-9020A	Caster Assembly RH	62	618-0253	Upper Housing Assembly
	682-9021A	Caster Assembly LH	63	682-0027A	Idler Bracket Assembly
19	682-9024	Caster Bracket Assembly RH	64	710-0299	Hex Cap Screw 1/4-28 x 1 0
	682-9026	Caster Bracket Assembly LH	65	710-0642	Hex Screw 1/2-20 x 75
20	720-0223	Grip	66	712-0896	Hex Jam Nut 1/4-28
21	732-0803A	Spring Lever	67	712-3025	Hex Jam Nut 5/16-24
22	738-0529	Shoulder Nut 825 x 165 Lg	68	717-1487	Pinion Shaft 10T
23	736-0369	Flat Washer 508 ID x 1 0 OD	69	721-0329	Oil Seal
24	782-0566B	Pivot Arm Assembly	70	732-0849A	Extension Spring
25	750-0515	Spacer 510 ID x 70 OD	71	741-0682A	Bearing Sleeve
26	741-0978	Sleeve Bearing 504 ID x 830 OD	72	741-0690	Bearing
27	750-1056	Shoulder Spacer	73	736-0616	Thrust Washer 504 ID x 70 OD
28	710-0653	Tap Screw 1/4-20 x 375	74	711-1168	Output Shaft 6T
29	682-7528	Chain Cover Assembly	75	741-0324A	Flange Bearing
30	741-0324A	Flange Bearing 506 ID x 590 Lg	76	717-1469	Gear 34T
31	682-7526	Transmission Axle Assembly	77	741-0674	Flange Bearing
32	618-0263A	Transmission Assembly Complete	78	741-0673	Flange Bearing
33	710-0604A	Hex Screw 5/16-18	79	782-7595	Pivot Bracket
34	713-0453	Chain	80	782-7598	Belt Keeper
35	638-0012	Rear Axle Assembly	81	756-0656	Pulley
36	741-0522	Flange Bearing 506 ID x 715 Lg	82	736-0425	Bell Washer 325 ID x 930 OD
37	732-0832	Torsion Spring	83	736-3084	Flat Washer 510 ID x 1 120 OD
38	750-0151	Spacer 550 ID x 750 OD	84	741-0124	Bearing
39	710-1315	Screw 3/8-16 x 25	85	750-1050	Flange Spacer
40	711-0835	Clevis Pin 50 Dia x 4 82 Lg	86	782-7601A	Cable Bracket
41	750-0807	Spacer 385 ID x 624 OD	87	736-0570	Flat Washer 885 ID x 1 45 OD
42	782-0568	Spring Bracket: Height Adjustment	88	736-0569	Thrust Washer 388 x 625
43	710-1652	Screw 1/4-14 x .825	89	736-0314	Thrust Washer 3/8 x .70