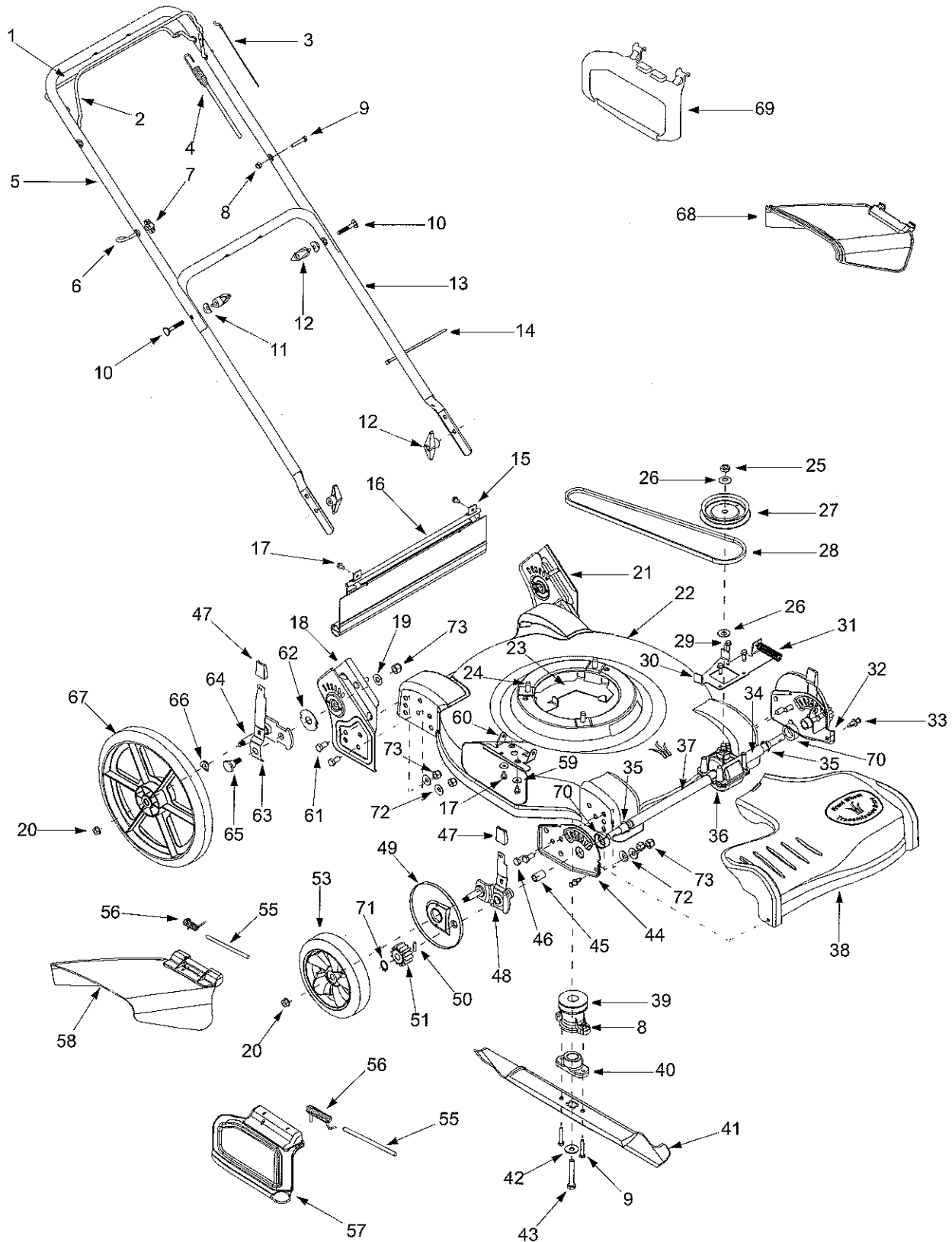


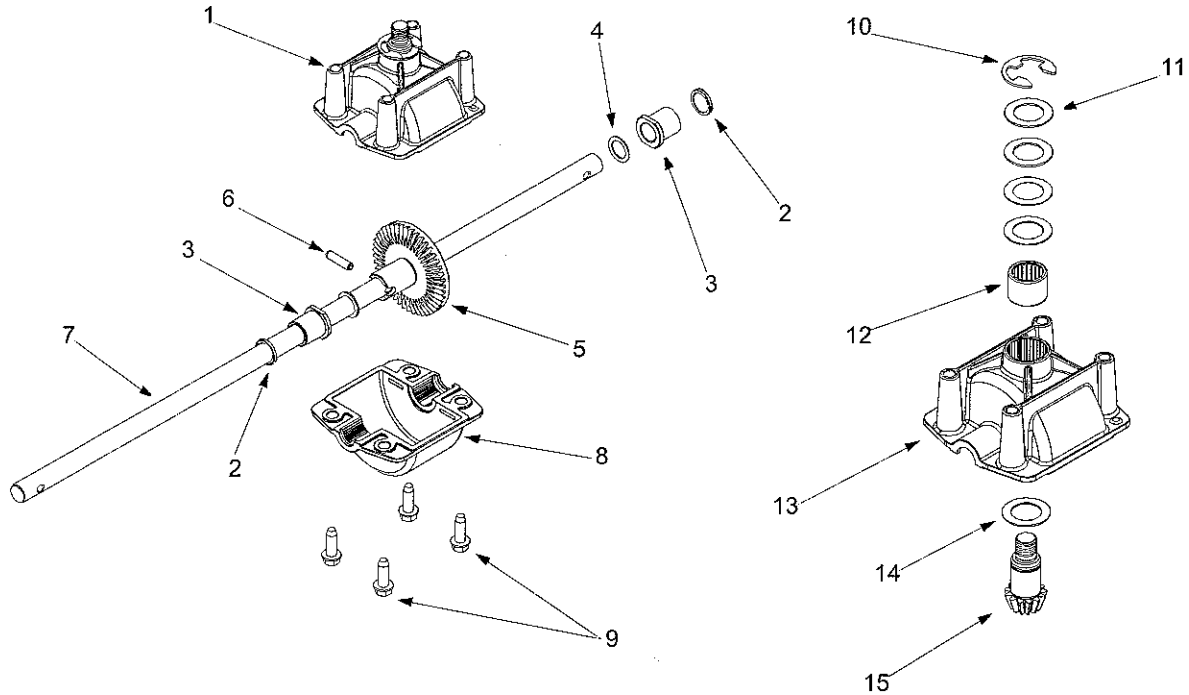
Model Series 520 thru 530



Model Series 520 thru 530

Ref. No.	Part No.	Part Description	Ref. No.	Part No.	Part Description
1	747-1214	Drive Control Handle	38	731-0073	Transmission Cover
2	747-1161A	Blade Control Handle	39	756-1163	Drive Pulley
3	746-1113	Blade Control Cable - B&S	40	748-0426	Blade Adapter
	746-1132	Blade Control Cable - B&S	41	742-0642A	Blade 22"
	746-1114	Blade Control Cable- Tec		742-0742A	Mulching Blade 22"
4	746-1092A	Drive Control Cable	42	736-0452	Bell Washer 396 ID x 1 140 OD
5	749-1092A	Upper Handle	43	710-1044	Hex Cap Screw 3/8-24 x 1 5
6	710-1205	Eye Bolt	44	782-0584	Forward Height Adjustment Plate - RH
7	720-0279	Wing Nut 1/4-20	45	741-0710	Sleeve Bearing
8	712-0324	Hex Lock Nut 1/4-20	46	710-0216	Hex Cap Screw 3/8-16 x .75
9	710-0606	Hex Cap Screw 1/4-20x 1 5	47	720-0426	Adjustment Knob
10	710-1174	Carriage Bolt 5/16-18 x 2 0	48	682-0544	Spring Lever Assembly - LH (FWD)
11	736-0451	Shoulder Washer .320 ID x .93 OD		682-0545	Spring Lever Assembly - RH (FWD)
12	720-0284	Wing Nut	49	731-2522	Wheel Dust Cover
13	749-1093B	Lower Handle	50	715-0221	Pin
14	725-0157	Cable Tie	51	717-1761	Spur Gear 14T - LH
15	782-9065	Hinge Clip		717-1762	Spur Gear 14T - RH
16	731-2280	Trail Shield	52	736-0105	Bell Washer .401 ID x .870 OD
17	710-0896	Hex Screw 1/4-14 x .625	53	634-0190	Front Wheel Assembly 8 x 1.8
18	682-3062A	Handle Bracket Assembly - RH	54	738-1168	Shoulder Screw 3/8
19	736-3050	Flat Washer .406 ID x .812 OD	55	747-0710	Hinge Pin
20	712-0431	Lock Nut 3/8-16	56	732-1014	Torsion Spring
21	682-3063A	Handle Bracket Assembly- LH	57	631-0098	Mulching Baffle (If Equipped)
22	682-0096	Deck Assembly 22"	58	731-1034B	Side Discharge Assembly
	682-0110	Deck Assembly 22" (No Sprigs)	59	736-0270	Bell Washer .265 ID x .75 OD
23	782-9063	Engine Belt Keeper Bracket	60	731-1035B	Chute Hinge
24	710-0654A	Hex Washer Screw 3/8-16 x 1 0	61	710-0216	Hex Cap Screw 3/8-16 x .75
25	712-0240	Jam Nut 7/16-20	62	741-0717	Thrust Bearing 688 ID x 1.938 OD
26	736-0407	Bell Washer .45 ID x 1.00 OD	63	732-0984B	Spring Lever
27	756-1167	Pulley	64	682-0093	Rear Pivot Arm Assembly
28	754-0483	V-Belt	65	738-1127	Shoulder Screw 3/8-16
29	710-1276	Hex Washer Screw 1/4-20 x .750	66	736-0182	Spring Washer
30	782-9062	Transmission Belt Keeper Bracket	67	734-1864	Rear Wheel Assembly 14 x 1.8
31	732-0992	Compression Spring	68	731-2230	Snap Discharge Chute (If Equipped)
32	782-0585	Forward Height Adjustment Plate - LH	69	731-1386D	Snap Mulching Plug (If Equipped)
33	728-0199	Rivet	70	748-0390	Bearing Spacer
34	750-1209	Sleeve Spacer .550 ID x 2 5	71	716-0865	Snap Ring .500
35	716-0198	Retainer Ring	72	736-0105	Washer Spacer 401 ID x .870 OD
36	618-0391A	Transmission Assembly	73	712-0130	Hex Lock Nut 3/8-16
37	750-1210	Sleeve Spacer .550 ID x 8 9			

Model Series 520 thru 530



Ref. No.	Part No.	Part Description
1	618-0392	Upper Housing Assembly
2	721-0329	Oil Seal .500 ID x .687 OD
3	741-0673	Flange Bearing .503 ID x .689 OD
4	736-0520	Flat Washer .504 ID x .700 OD x .030
	736-0711	Flat Washer .504 ID x .700 OD x .035
	736-0712	Flat Washer .504 ID x .700 OD x .040
	736-0713	Flat Washer .504 ID x .700 OD x .045
5	717-1596	Bevel Gear 44T
6	715-0139	Roll Pin
7	711-1595	Output Shaft
8	719-0538	Lower Housing
9	710-1276	Hex Washer Screw 1/4-20 x .75
10	716-0231	E-Ring 750
11	736-0336	Flat Washer .625 ID x 1.0 OD x .030
	736-0337	Flat Washer .625 ID x 1.0 OD
	736-0349	Flat Washer .63 ID x 1.0 OD x .020
	736-0494	Flat Washer .632 ID x 1.0 OD x .035
	736-0495	Flat Washer .632 ID x 1.0 OD x .035
12	741-0735	Needle Bearing .625 x .813
13	719-0537	Upper Housing
14	736-0336	Flat Washer .625 ID x 1.0 OD x .030
	736-0494	Flat Washer .632 ID x 1.0 OD x .035
15	711-1390	Input Shaft