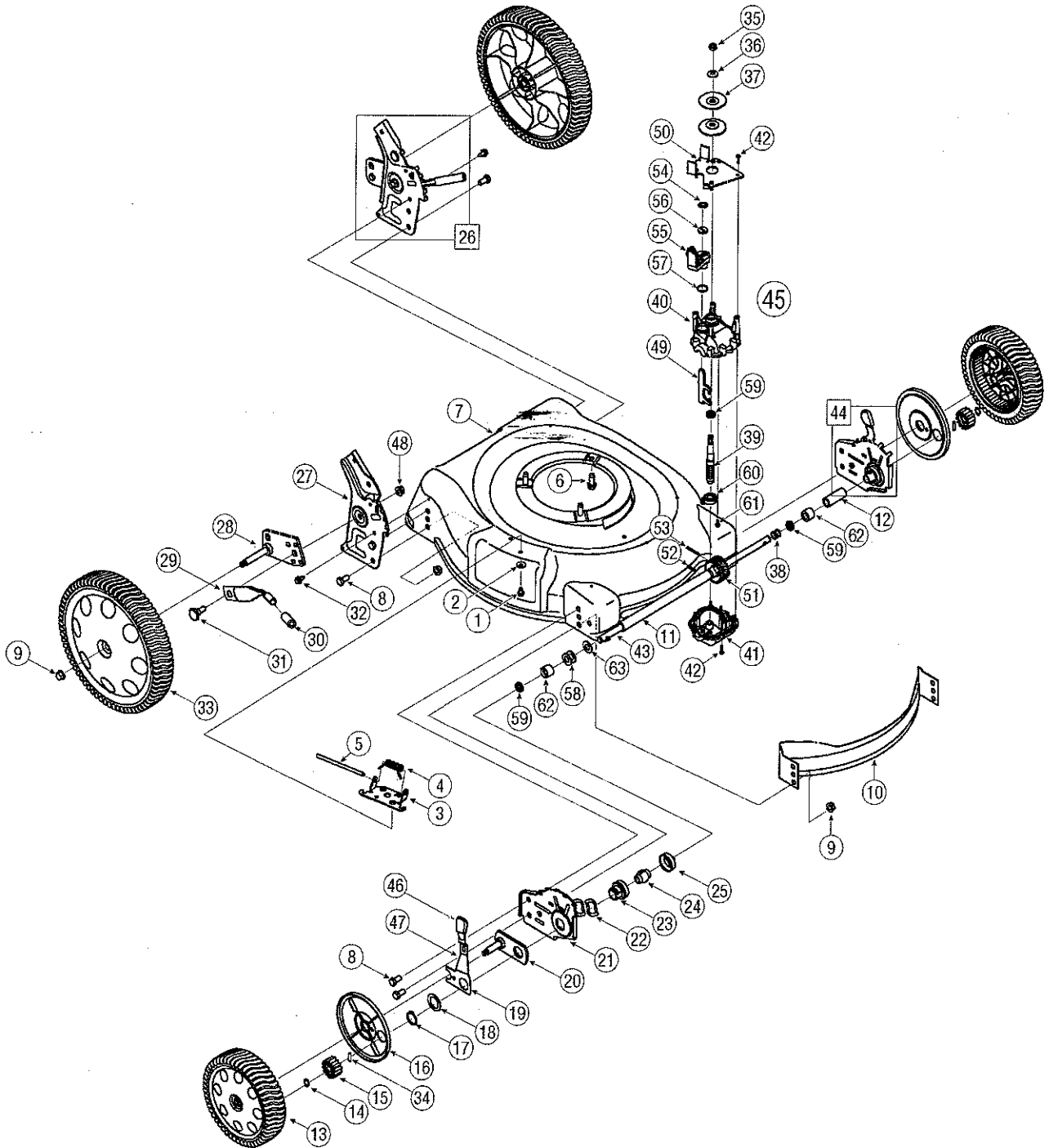


SECTION 10: PARTS LIST FOR MODEL SERIES 566 & 569

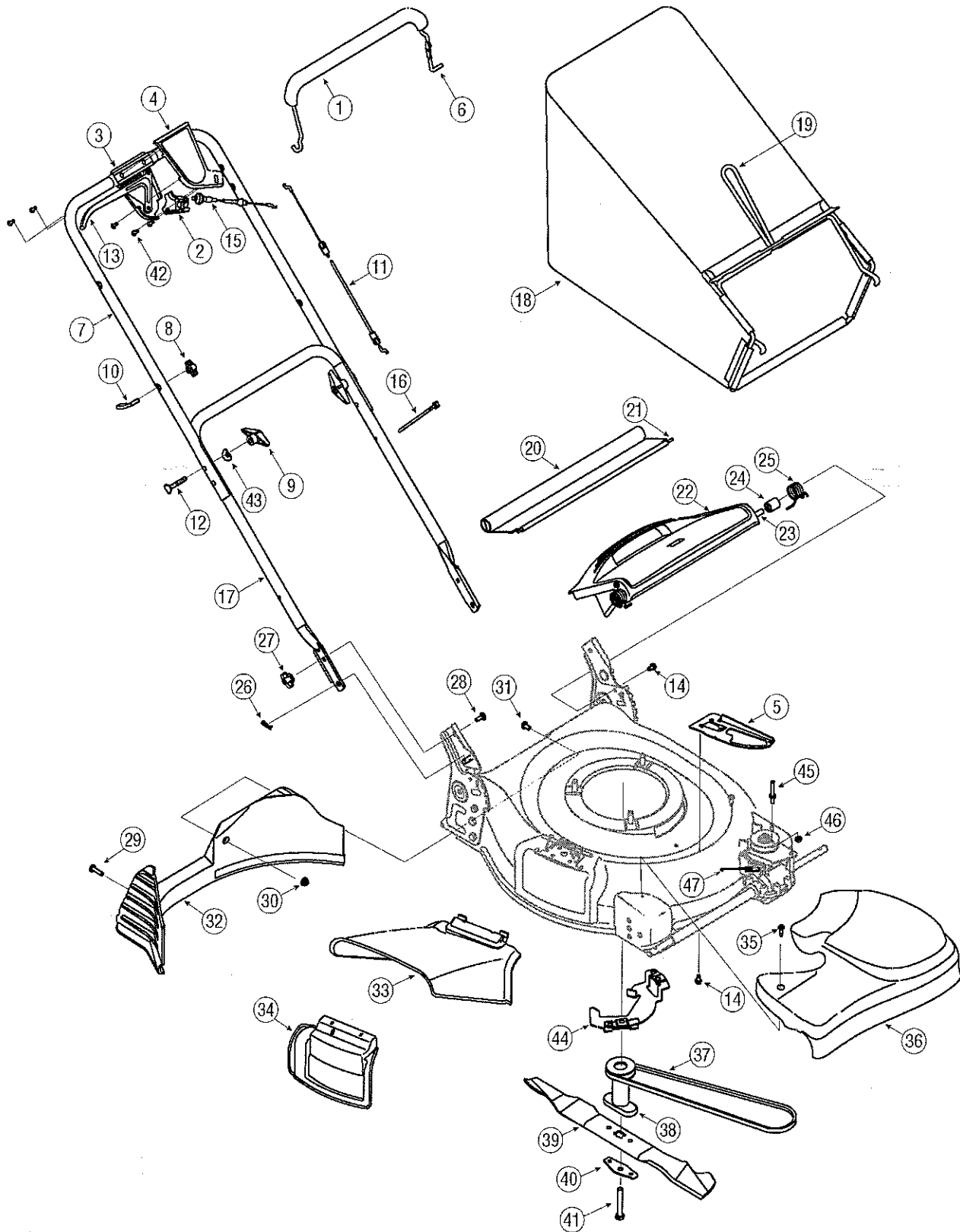


Model Series 566 & 569

Ref. No	Part No.	Description	Ref. No	Part No.	Description
1.	710-0599	Tt Screw 1/4-20 x 0.5	31.	738-0507B	Shoulder Scr 500 Dia. x 434
2.	736-0270	Bell Washer 265 x 0.75	32.	710-1652	Tt Screw 1/4-20 x .625"
3.	17032A	Deflector Chute Adapter	33.	734-04127	Wheel, 12 x 2.125
4.	732-1014	Torsion Spring	34.	715-0221	Dowel Pin
5.	747-0710	Hinge Pin	35.	712-0116	Hex Jam Nut 5/16-24
6.	710-0654A	Self-Tapping Sems Screw	36.	736-0105	Bell Washer 325 x 930 x .45
7.	787-01222	21" Deck	37.	756-04132	Pulley, 3.82 x 313 x .68
8.	710-0216	Hex Screw 3/8-16 x .75	38.	732-04273	Compression Spring
9.	712-0431	Hex Nut 3/8-16	39.	711-04317	Pinion Shaft
10.	782-5002B	Front Baffle	40.	731-05099	Upper Housing
11.	750-04404	Sleeve Spacer 9.10" Lg.	41.	731-04883	Lower Housing
12.	750-04405	Slev. Spacer 1.5" Lg.	42.	710-04329	Torx Screw
13.	734-04018A	Wheel 8 x 2.125 Gear	43.	711-04304	Output Shaft
14.	716-0865	Snap Ring	44.	682-0511A	Height Adjustment Assembly LH
15.	717-1762	Gear 14T RH FWD		682-0512A	Height Adjustment Assembly RH*
	717-1761	Gear 14T LH FWD *	45.	618-04274	Transmission Assembly Comp.*
16.	782-7551A	Wheel Dust Cap	46.	720-0426	Adjustment Knob
17.	716-0102	Snap Ring	47.	732-0706	Front Lever RH
18.	736-0474	Washer		732-0707	Front Lever LH*
19.	687-02018	Lever Assembly RH	48.	712-3005	Hex Flange Lock Nut 3/8-16
20.	687-02044	Pivot Plate Assembly	49.	707-04409	Shifter Fork
21.	782-0512B	Height Adjuster Plate - RH	50.	707-04567	Transmission Bracket
	782-0511A	Height Adjuster Plate - LH*	51.	717-04194	28 Tooth Gear
22.	736-0447	Wave Washer	52.	715-0129	Spirol Pin
23.	748-0355	Bearing Support	53.	415-04030	Dowel Pin
24.	741-0604A	Bearing Sleeve	54.	726-04043	Push Nut
25.	732-0708	Bearing Retainer	55.	731-05187	Clutch Lever
26.	687-02057	Handle Bracket Assembly - LH	56.	736-04178	Slotted Washer
	687-02056	Handle Bracket Assembly - RH*	57.	721-04110	O-ring
27.	687-02033	Handle Bracket - RH	58.	736-04170	Flat Washer
	687-02031	Handle Bracket - LH*	59.	721-04107	Oil Seal
28.	687-02039	Pivot Bar RH	60.	741-04116	Ball Bearing
	687-02040	Pivot Bar LH*	61.	710-04374	Hex Screw
29.	732-0866	Height Adjustment Lever	62.	741-04106	Plastic Bushing
30.	720-0312	Foam Grip	63.	436-0572	Flat Washer

*Not Pictured in Illustration

Model Series 566 & 569



Model Series 566 & 569

Ref. No	Part No.	Description	Ref. No	Part No.	Description
1.	731-04204	Deluxe Bail Cover	25.	732-04089A	Torsion Spring LH
2.	731-1059	Cable Mounting Cap		732-04090A	Torsion Spring RH
3.	731-1058	Control Cover Lower Half	26.	714-0104	Cotter Pin
4.	731-1057	Control Cover Upper Half	27.	712-0397	Wing Nut
5.	787-01258	Cable Mount Bracket	28.	710-0703	Carriage Bolt 1/4-20
6.	747-1161A	Blade Control Handle	29.	710-0286	Machine Screw 1/4-20
7.	749-04206	Upper Handle	30.	712-04064	Flange Lock Nut 1/4-20
8.	720-0279	Handle Knob	31.	710-04371	HL Screw 1/4-15
9.	720-0284	Handle Knob	32.	731-04150	Rear Baffle 21" Rd.
10.	710-1205	Eye Bolt	33.	731-04177	Chute Deflector
11.	746-0957	Control Cable 37.25"	34.	687-02055	Mulch Plug Comp.
12.	710-1174	Carriage Bolt 5/16-18 x 2.0	35.	710-1650	Shoulder Screw # 12-24
13.	731-0620	Drive Control Lever	36.	731-05020	Transmission Cover
14.	710-0599	TT Screw 1/4-20 x 0.5	37.	754-04082	V-Belt
15.	746-04206	Drive Cable	38.	748-04015A	Blade Adapter w/ Pulley
16.	726-0240	Cable Tie	39.	742-0741	21" Mulching Blade
17.	749-0928A	Lower Handle	40.	736-0524B	Blade Bell Support
18.	664-04011	Grassbag Assembly	41.	710-1257	Hex Screw 3/8-24 x 2.50
19.	747-04080	Grass Bag Frame	42.	710-1667A	HL Screw #10-16
20.	731-04998	Rear Trailing Shield	43.	736-0451	Saddle Washer
21.	732-0700	Wire	44.	687-02150	Belt Keeper Engine Bracket
22.	731-04134A	Rear Discharge Door	45.	711-0993	Belt Guard Pin 1/4 x 1.43
23.	747-0996	Pivot Rod	46.	712-3055	Hex Lock Nut 1/4 x 20
24.	750-04162	Spacer.375 x.50 x 1.02	47.	732-04286	Extension Spring

IMPORTANT: For a proper working machine, use Factory Approved Parts **V-BELTS** are specially designed to engage and disengage safely. A substitute (non OEM) V-Belt can be dangerous by not disengaging completely