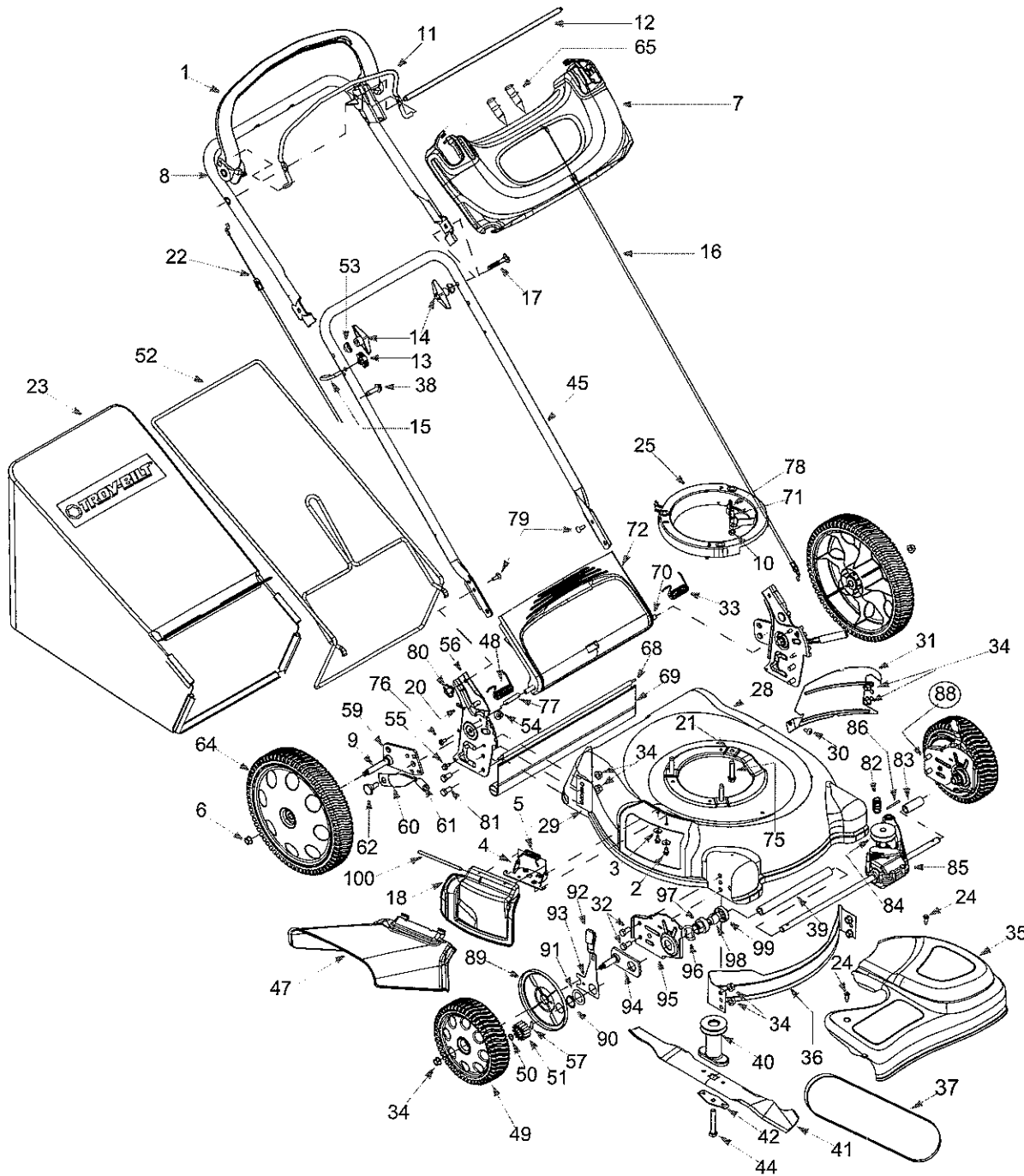


**SECTION 10: PARTS LIST FOR MODEL D566**



**IMPORTANT:** For a proper working machine, use Factory Approved Parts. **V-BELTS** are specially designed to engage and disengage safely. A substitute (non OEM) V-Belt can be dangerous by not disengaging completely

**NOTE:** For painted parts, please refer to the list of color codes below. Please add the applicable color code, wherever needed, to the part number to order a replacement part. For instance, if a part numbered 700-xxxx is painted powder black, the part number to order would be 700-xxxx-0637

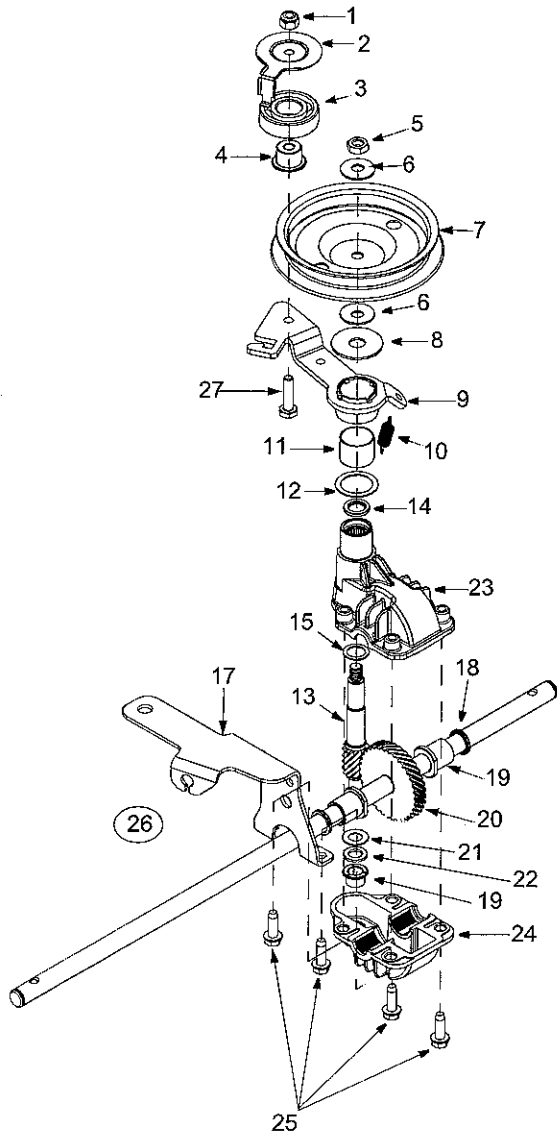
Red: 0638  
Powder Black: 0637

## Model D566

Ref. No	Part No.	Description	Ref. No	Part No.	Description
1.	631-04025	Handle Assembly Comp : Red	52.	747-04080	Grass Bag Frame
2.	710-0599	TT Screw 1/4-20 x 0.5	53.	736-0451	Saddle Washer
3.	736-0270	Bell Washer 265 x 0.75	54.	712-3005	Hex Flange Lock Nut 3/8-16
4.	782-7006	Hinged Mounting Bracket	55.	710-1652	Tt Screw 1/4-20 x .625"
5.	732-1014	Torsion Spring	56.	687-02056	RH Handle Bracket
6.	712-3005	Lock Nut		687-02057	LH Handle Bracket
7.	731-2628A	Handle Panel	57.	715-0221	Dowel Pin
8.	749-1507	Upper Handle	58.	710-0286	Pan Head Screw
9.	711-1513	Axle: Rear	59.	687-02039	Pivot Bar RH
10.	712-0271	Hex Nut		687-02040	Pivot Bar LH*
11.	747-2133A	Bail: Smart Speed™	60.	732-0866	Height Adjustment Lever
12.	747-2132A	Control Rod	61.	720-0312	Foam Grip
13.	720-0279	Handle Knob	62.	738-0507B	Shoulder Scr 500 Dia x 434
14.	720-0284	Handle Knob	63.	736-0105	Washer .401 x .870 x .063
15.	710-1205	Eye Bolt	64.	734-04019	Wheel, 12 x 2 125
16.	746-1252	Control Cable: Smart Speed™	65.	728-0199	Plastic Rivet
17.	710-1174	Carriage Bolt 5/16-18 x 2.0	66.	736-0272	Flat Washer
18.	687-02055	Mulch Plug Comp	67.	738-0481A	Shoulder Screw
19.	726-0240	Cable Tie (not shown)	68.	732-0700	Wire
20.	714-0104	Cotter Pin	69.	731-1236	Rear Trailing Shield
21.	710-1008	Self-Tapping Sems Screw	70.	747-0996	Pivot Rod
22.	746-1250	Forward Drive Cable: Smart Speed™	71.	711-0293	Belt Keeper Pin
23.	664-04011	Grassbag Assembly	72.	731-04134	Rear Discharge Door
24.	710-1650	Shoulder Screw # 12 -24	75.	710-1650	Shoulder Screw
25.	631-0075B	Engine Spacer	77.	750-04162	Spacer .375 x .50 x 1.02
26.	710-0606	Hex Bolt 1/4-20 x 1.5	78.	738-1002	Shoulder Screw 1/4-14
27.	712-0324	Lock Nut 1/4-20	79.	710-0703	Carriage Bolt 1/4-20
28.	787-01006	21" Deck	80.	712-0397	Wing Nut
29.	782-5004A	RH Rear Baffle	81.	710-0216	Hex Bolt 3/8-16 x 1.0
30.	710-1017	Screw AB: 1/4-14: 625	82.	732-1043	Belt Tension Spring
31.	782-5003	LH Rear Baffle	83.	750-1166	Slev. Spacer 2.1" Lg.
32.	710-0216	Hex Screw 3/8-16 x .75	84.	756-1231	Input Pulley
33.	732-04089	Torsion Spring	85.	618-04006	Transmission Assembly
34.	712-0431	Hex Nut 3/8-16	88.	682-0512A	Height Adjustment Assembly RH
35.	731-04584	Transmission Cover		682-0511A	Height Adjustment Assembly LH*
36.	782-5002A	Front Baffle	89.	782-7551	Wheel Dust Cap
37.	754-0465	V-Belt	90.	716-0102	Snap Ring
38.	710-0817	TT-Scr 5/16-18	91.	736-0474	Washer
39.	750-1165	Sleeve Spacer 10.1" Lg.	92.	720-0426	Adjustment Knob
40.	748-04015A	Blade Adapter w/ Pulley	93.	732-0706	Front Lever RH
41.	742-0741	21" Mulching Blade		732-0707	Front Lever LH*
42.	736-0524A	Blade Bell Support	94.	687-02044	Pivot Plate Assembly
44.	710-1257	Hex Screw 3/8-24 x 2.50	95.	782-0512B	Height Adj. Plate RH
45.	749-0907B	Lower Handle		782-0511A	Height Adj. Plate LH*
47.	731-04177	Chute Deflector	96.	736-0447	Wave Washer
48.	732-04090	Torsion Spring	97.	748-0355	Bearing Support
49.	734-04018	Wheel 8 x 2 125	98.	741-0604A	Bearing Sleeve
50.	716-0865	Snap Ring	99.	732-0708	Bearing Retainer
51.	717-1761	Gear 14T LH FWD	100.	747-0710	Hinge Pin
	717-1762	Gear 14T RH FWD *			

\* Not shown in illustration

Model D566



Ref No.	Part No.	Description
1.	712-0896	Lock Nut
2.	782-7598	Belt Keeper
3.	741-0124	Ball Bearing
4.	750-1050	Flange Bearing
5.	712-3025	Hex Jam Nut 5/16-24
6.	736-0425	Bell Washer 325 x .930 x .45
7.	656-0047	Pulley, 3.82 x .313 x .68
8.	736-0406	Flat Washer 422 x 1.38 x .060
9.	682-0029	Front Idler Assembly
10.	732-04001	Extension Spring
11.	741-0682A	Bearing Sleeve
12.	736-0570	Fl-Wash. 865 x 1.145 x .030
13.	711-1492	Pinion Shaft 10T
14.	741-0699	Needle Bearing 438 x 625 x 500
15.	736-0520	Flat Washer .504 x .700 x .030
16.	717-1492	Pinion Shaft
17.	682-0030	Cable Idler Brkt
18.	721-0329	Oil Seal
	721-0457	Oil Seal*
19.	741-0673	Flange Bearing
20.	611-0105A	Output Shaft
21.	736-0314	Thrust Washer 375 x .070 x .030
22.	736-0569	Thrust Washer 388 x 625 x .062
23.	618-0300A	Upper Housing
24.	618-0299A	Lower Housing
25.	710-1276	Hex Screw w/Washer 1/4-20 x .750
26.	618-04006	Transmission Assembly Comp.
27.	710-0299	Hex Screw 1/4-28 x 1.0