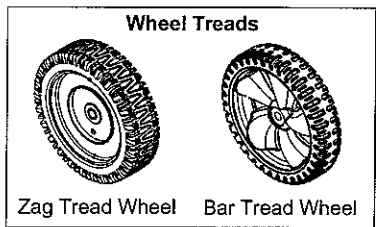
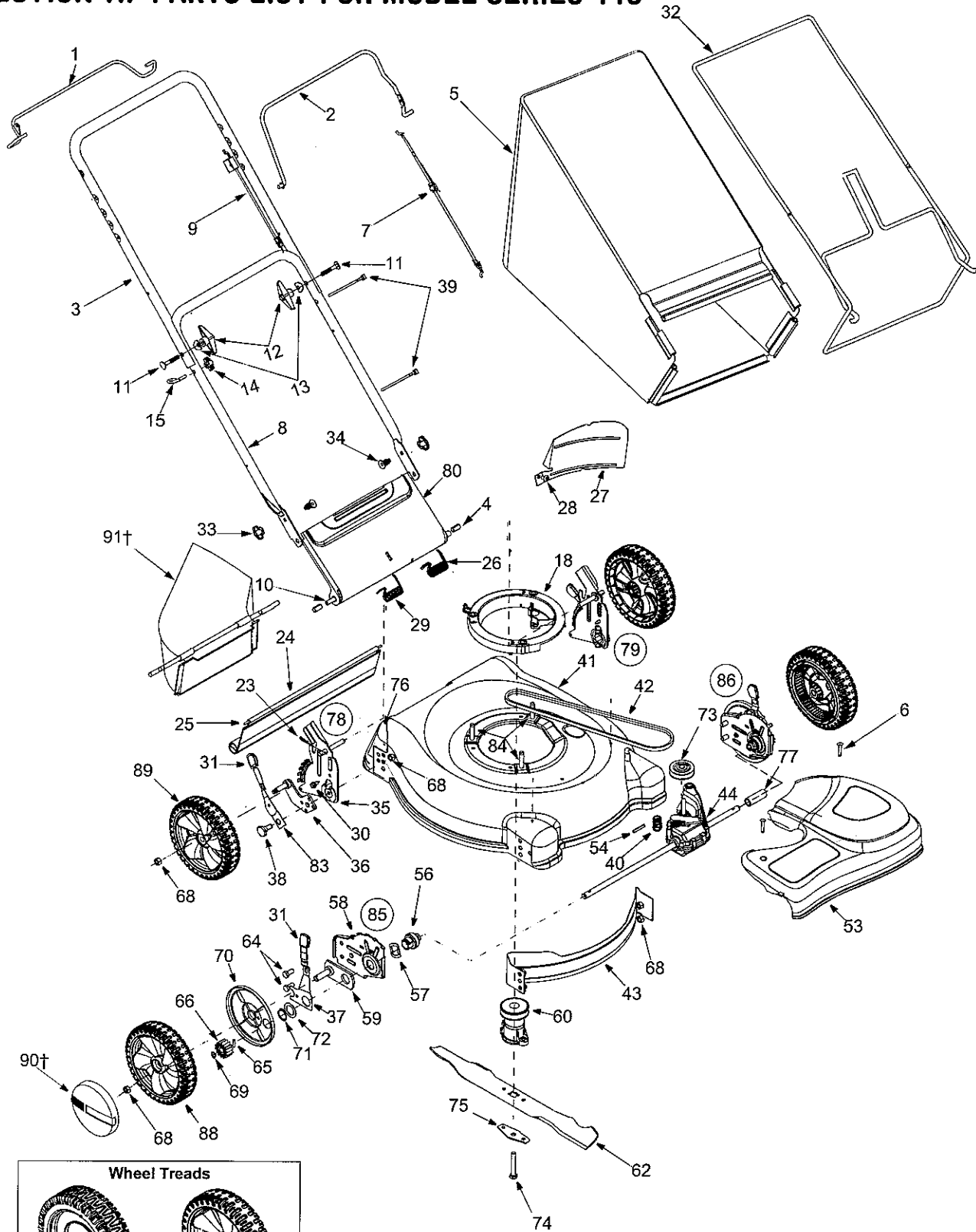


SECTION 11: PARTS LIST FOR MODEL SERIES 440



† If Equipped

Model Series 440

Ref. No	Part No.	Description	Ref. No	Part No.	Description
1.	747-1214	Lower Bail Handle	41.	787-01007	Rear Discharge Deck, 21"
2.	747-1161A	Blade Control Handle	42.	754-0637A	V-Belt
3.	749-1092A	Upper Handle	43.	782-5002A	Front Baffle
4.	750-04162	Spacer 390 x 810 x 950"	44.	618-0657	Transmission Assembly
5.	664-04007	Grass Bag	53.	731-04683	Front Drive Cover
6.	710-1650	Shoulder Screw		731-04671	Front Drive Cover (w/ Self-Propelled)
7.	746-1113	Control Cable: 37.75"	54.	715-04011	Roll Pin
	746-0550	Control Cable: 39'	56.	682-0015	Bearing Assembly
	746-1132	Control Cable: 40.75'	57.	736-0447	Wave Washer
	746-1114	Control Cable: 50.56"	58.	782-0512B	Height Adj. Plate RH
	746-1141	Control Cable: 58.25"		782-0511A	Height Adj. Plate LH
8.	749-0928A	Lower Handle	59.	687-02044	Pivot Plate Assembly
9.	746-04112	Drive Cable	60.	748-04015A	Blade Adapter / Pulley Assembly
10.	747-04035	Rear Door Pivot Rod	62.	742-0741	Mulching Blade w/ Star, 21"
11.	710-1174	Carriage Bolt	64.	710-0216	Hex Screw
12.	720-0284	Handle Knob	65.	715-0221	Dowel Pin
13.	736-0451	Saddle Washer	66.	717-1762	Gear 14T RH
14.	720-0279	Wing Nut		717-1761	Gear 14T LH
15.	710-1205	Rope Guide	68.	712-0431	Hex Nut, 3/8-16
18.	631-0075B	Engine Spacer Assembly	69.	716-0865	Snap Ring
23.	714-0104	Hairpin Clip	70.	782-7551	Wheel Dust Cap
24.	731-1236	Rear Trail Shield	71.	716-0102	Snap Ring
25.	732-0700	Trail Shield Wire	72.	736-0474	Washer, 1.5" O.D
26.	732-04089	Torsion Spring LH	73.	756-04017	Input Pulley
27.	782-5003	Rear Baffle LH	74.	710-1257	Hex Bolt, 3/8-24 x 2.5
28.	710-1017	Screw 1/4-14 x 0.625"	75.	736-0524B	Bell Blade Support
29.	732-04090	Torsion Spring RH	76.	782-5004A	Rear Baffle RH
30.	710-1652	Hex Screw w/ Wash. 1/4-20 x 0.625"	77.	750-1166	Slev. Spacer LH
31.	720-0426	Knob		750-04178	Slev. Spacer RH
32.	747-04080	Grass Catcher Frame	78.	687-02068	Handle Bracket Assembly RH
33.	712-0397	Wing Nut	79.	687-02069	Handle Bracket Assembly LH
34.	710-0703	Hex Carriage Screw	80.	731-04134	Chute Door
35.	787-01144	Handle Bracket RH	83.	732-04175	Spring Lever
	787-01143	Handle Bracket LH	84.	710-1008	Self-tapping Screw, 3/8-16 x 1.875
36.	687-02071	Pivot Arm Assembly RH	85.	682-0512A	Height Adj. Assembly RH
	687-02070	Pivot Arm Assembly LH	86.	682-0511A	Height Adj. Assembly LH
37.	732-0706	Front Lever RH	88.	‡	Front Wheel
	732-0707	Front Lever LH	89.	‡	Rear Wheel
38.	738-0507B	Shoulder Screw	90.	720-0249†	Hub Cap, Gray (Fits Zag Tread Wheels)
39.	726-0240	Cable Tie	91.	OEM-190-104†	Chute Deflector Accessory
40.	732-1043	Belt Tension Spring			

† If Equipped

‡ Wheel Chart

Type	Part No.	Wheel Size	Tread	Geared
Rear w/o bearing	734-1987	8" x 1.8"	Bar	No
Front w/o bearing	634-0190	8" x 1.8"	Bar	Yes
Rear w/ ball bearing	734-2004A	8" x 2.125"	Zag	No
Front w/o bearing	734-2042	8" x 2.125"	Zag	Yes

IMPORTANT: For a proper working machine, use Factory Approved Parts.

V-BELTS are specially designed to engage and disengage safely. A substitute (non OEM) V-Belt can be dangerous by not disengaging completely.