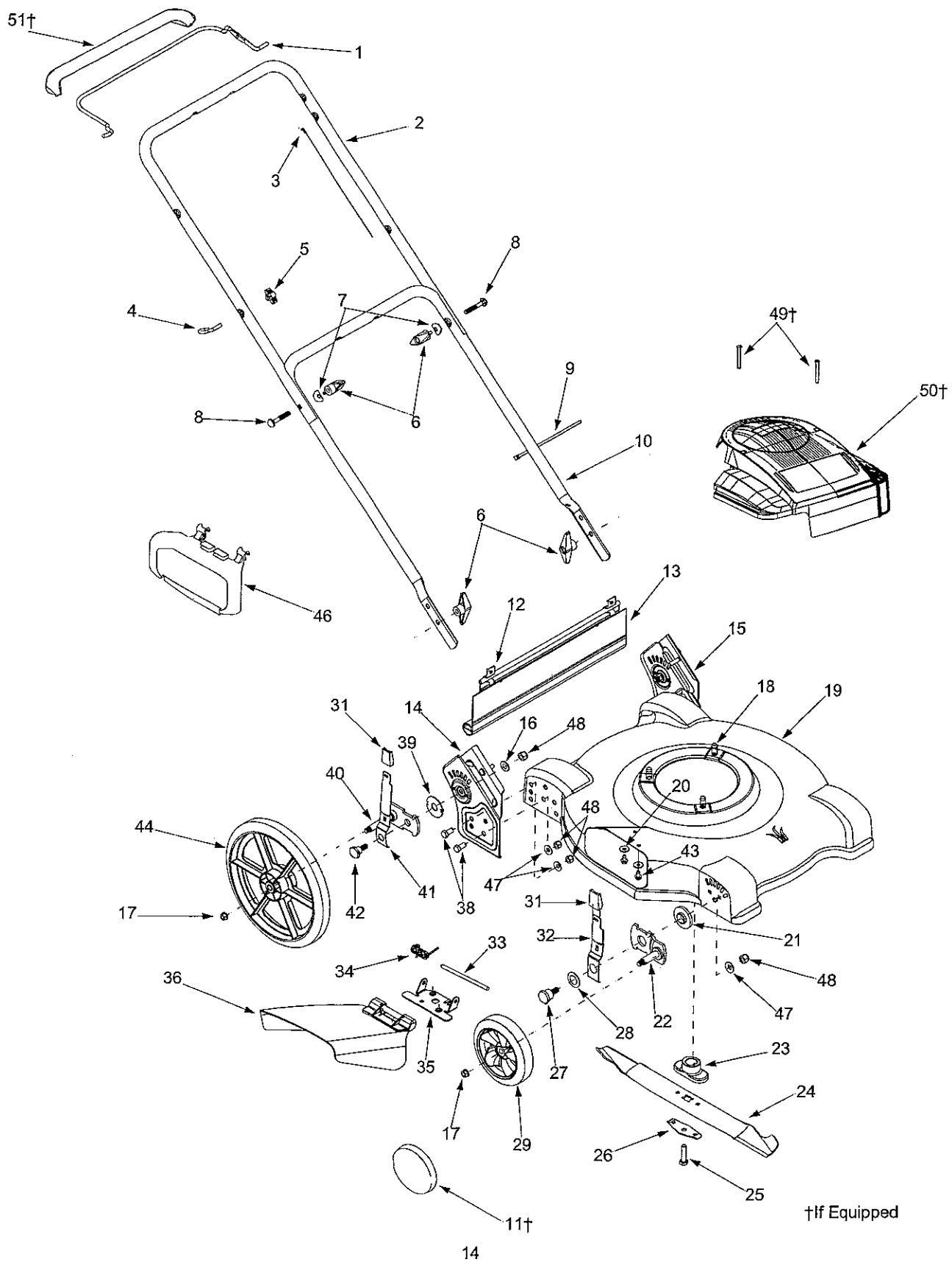


### SECTION 9: PARTS LIST FOR MODEL SERIES 500 THRU 509



**Model Series 500 thru 509**

Ref. No.	Part No.	Part Description	Ref. No.	Part No.	Part Description
1	747-1161A	Blade Control Handle	25.	710-1044	Hex Cap Screw 3/8-24 x 1.5
2.	749-1092A	Upper Handle	26.	736-0524A	Blade Bell Support
3	746-0957	Blade Control Cable - B&S 37 25"	27.	738-1172	Shoulder Screw 3/8 - 16 x 302
	746-1130	Blade Control Cable - B&S 40"	28.	736-0741	Bell Washer 760 ID x 1.25 OD
	746-0946	Blade Control Cable - Tec 48 25"	29.	734-1988	Front Wheel Assembly 7 x 1.8
4.	710-1205	Eye Bolt	31.	720-0426	Height Adjuster Knob
5.	720-0279	Wing Nut	32.	732-1026	Front Spring Lever
6.	720-0284	Wing Nut	33	747-0710	Hinge Pin
7.	736-0451	Shoulder Washer 320 ID x 93 OD	34.	732-1014	Torsion Spring
8.	710-1174	Carriage Bolt 5/16-18 x 2.0	35.	17032A	Deflector Chute Adapter
9.	725-0157	Cable Tie	36	731-1034B	Side Discharge Chute Assembly
10.	749-04037	Lower Handle	38.	710-0514	Hex Cap Screw 3/8-16 x 1.00
11.	731-0981A†	Hub Cap	39.	741-0717	Thrust Bearing 688 ID x 1.938 OD
12	17098	Hinge Clip	40.	687-02080	Rear Pivot Arm Assembly - RH
13.	731-2537	Trail Shield		687-02079	Rear Pivot Arm Assembly - LH
14	682-3062A	Handle Bracket Assembly - RH	41.	732-0984B	Rear Spring Lever
15.	682-3063A	Handle Bracket Assembly - LH	42.	738-1127	Shoulder Screw 3/8 - 16 x .442
16.	736-3050	Flat Washer 406 ID x 812 OD	43.	710-0599	Screw 1/4-20 x .50
17.	712-0431	Lock Nut 3/8 -16	44.	734-04082	Rear Wheel Assembly 12 x 1.8
18	710-0654A	Hex Washer Screw 3/8-16 x 1.0	46.	631-04045	Snap Mulching Plug
19.	687-02048	22" Deck Assembly	47.	736-0105	Bell Washer 401 ID x .870 OD
20.	736-0270	Bell Washer 265 x .75	48.	712-0130	Hex Lock Nut 3/8-16
21.	741-0751	Height Adjuster Bearing	49.	710-1256†	Screw #8-18 x 1.25
22	687-02094	Pivot Arm Assembly	50.	731-1396A†	Engine Shroud
23.	748-0376C	Blade Adapter	51.	731-2626†	Deluxe Bail Cover
24.	742-0742A	22" Mulching Blade			

†if Equipped