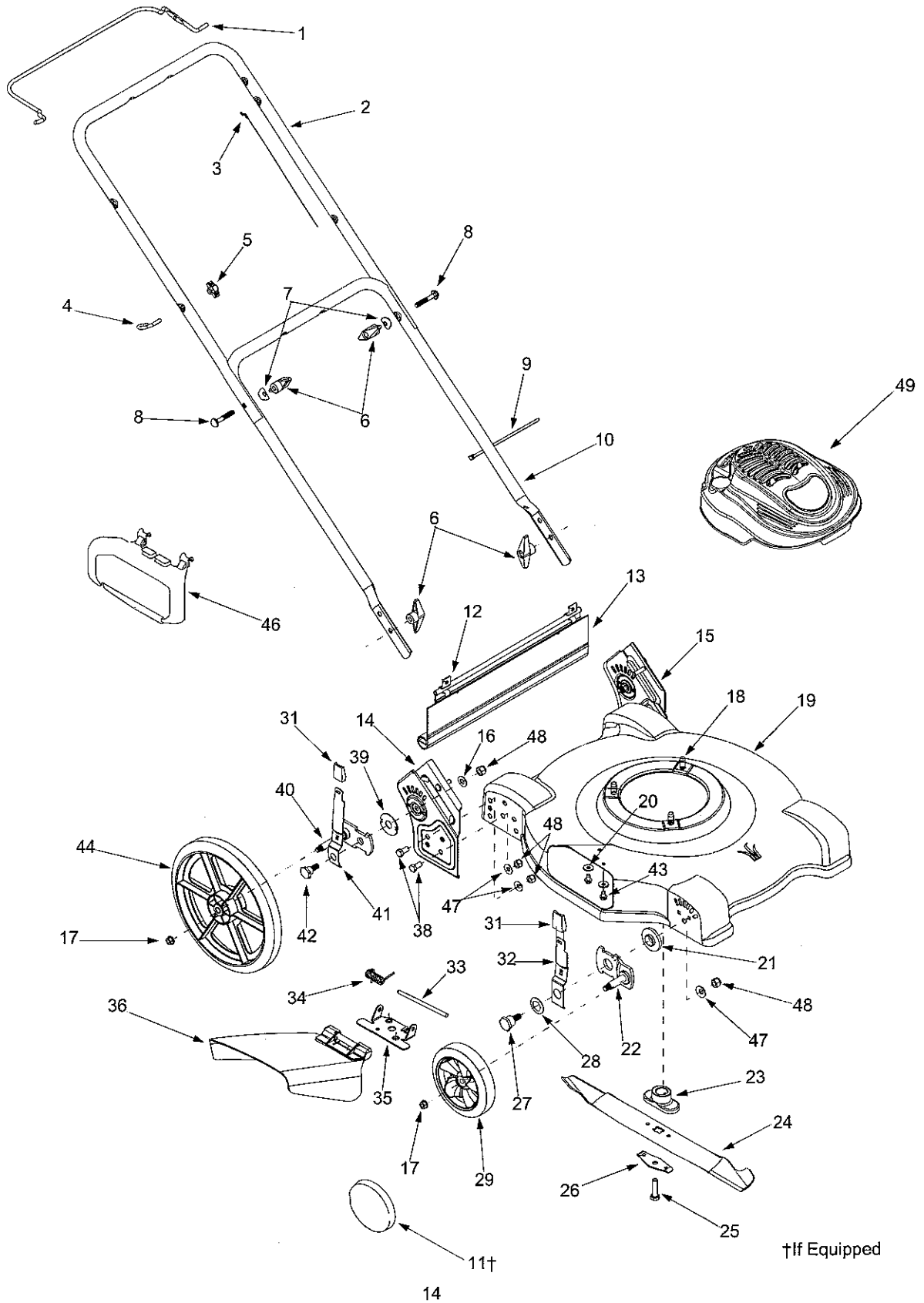


SECTION 9: PARTS LIST FOR MODEL 503



Model 503

Ref. No.	Part No.	Part Description	Ref. No.	Part No.	Part Description
1.	747-1161A	Blade Control Handle	25.	710-1044	Hex Cap Screw 3/8-24 x 1.5
2.	749-1092A	Upper Handle	26.	736-0524A	Blade Bell Support
3.	746-0946	Blade Control Cable - 48 25"	27.	738-1172	Shoulder Screw 3/8 - 16 x 302
4.	710-1205	Eye Bolt	28.	736-0741	Bell Washer.760 ID x 1.25 OD
5.	720-0279	Wing Nut	29.	734-04086	Front Wheel Assembly 7 x 1 8
6.	720-0284	Wing Nut	31.	720-0426	Height Adjuster Knob
7.	736-0451	Shoulder Washer.320 ID x 93 OD	32.	732-1026	Front Spring Lever
8.	710-1174	Carriage Bolt 5/16-18 x 2.0	33.	747-0710	Hinge Pin
9.	725-0157	Cable Tie	34.	732-1014	Torsion Spring
10.	749-04037	Lower Handle	35.	17032A	Deflector Chute Adapter
11.	731-0981A†	Hub Cap	36.	731-1034B	Side Discharge Chute Assembly
12.	17098	Hinge Clip	38.	710-0514	Hex Cap Screw 3/8-16 x 1.00
13.	731-2537	Trail Shield	39.	741-0717	Thrust Bearing .688 ID x 1.938 OD
14.	682-3062A	Handle Bracket Assembly - RH	40.	687-02080	Rear Pivot Arm Assembly - RH
15.	682-3063A	Handle Bracket Assembly - LH		687-02079	Rear Pivot Arm Assembly - LH
16.	736-3050	Flat Washer.406 ID x 812 OD	41.	732-0984B	Rear Spring Lever
17.	712-0431	Lock Nut 3/8 -16	42.	738-1127	Shoulder Screw 3/8 - 16 x 442
18.	710-0654A	Hex Washer Screw 3/8-16 x 1 0	43.	710-0599	Screw 1/4-20 x 50
19.	687-02048	22 Deck Assembly	44.	734-04089	Rear Wheel Assembly 12 x 1 8
20.	736-0270	Bell Washer.265 x 75	46.	631-04045	Snap Mulching Plug
21.	741-0751	Height Adjuster Bearing	47.	736-0105	Bell Washer.401 ID x 870 OD
22.	687-02094	Pivot Arm Assembly	48.	712-0130	Hex Lock Nut 3/8-16
23.	748-0376C	Blade Adapter	49.	731-04525	Engine Shroud
24.	742-0742A	22" Mulching Blade			

†If Equipped