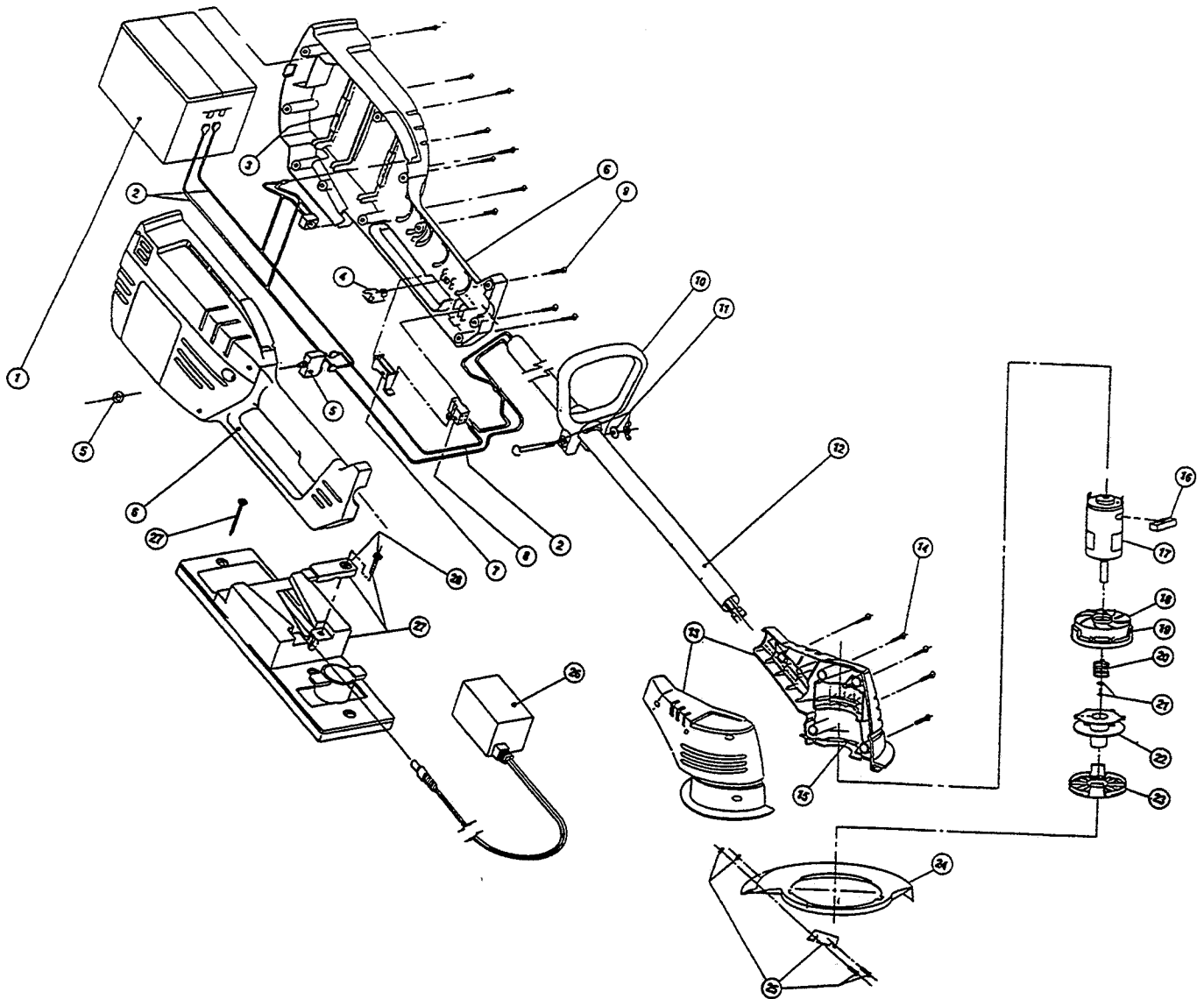


BATTERY TRIMMER PARTS - IDC 150



| Item | Part No. | Description | Item | Part No. | Description |
|------|----------|------------------------------|------|----------|--|
| 1 | 180361 | Battery | 18 | 180372 | Outer Spool and Eyelet (includes item 19) |
| 2 | 180362 | Wiring Harness Assembly | 19 | 180373 | Eyelet |
| 3 | 180363 | Battery Cushion Set (qty. 5) | 20 | 180374 | Spring |
| 4 | 180364 | Safety Release Switch | 21 | 180375 | Screw and Washer |
| 5 | 180365 | Thermal Overload Switch | 22 | 180292 | Inner Reel and .065 Line (15 ft.) |
| 6 | 180366 | Battery Housing W/Out Decals | 23 | 180376 | Reel Cover |
| 7 | 180151 | Trigger | 24 | 180293 | Guard and Blade Assembly (includes item 25) |
| 8 | 180150 | Switch | 25 | 180377 | Blade Assembly |
| 9 | 180300 | Housing Screw Set (qty. 11) | 26 | 180294 | Battery Charger |
| 10 | 145819 | D-Handle | 27 | 180295 | Wall Station Assembly |
| 11 | 153523 | D-Handle Hardware | 28 | 180378 | Wall Station Clamp and Screw |
| 12 | 180367 | Boom Assembly | * | 180379 | Battery Housing Decal Set |
| 13 | 180368 | Motor Housing | * | 180117 | Monofil Cutting Line (50 ft.) |
| 14 | 180300 | Housing Screw Set | * | 180327 | Cutting Head Assembly (includes items 18-23) |
| 15 | 180369 | Motor Supports (qty. 3) | | | |
| 16 | 180370 | Anti-Rotation Block | | | |
| 17 | 180371 | Motor | | | |

* not shown

The above part numbers are for serial numbers 203104731 and greater.