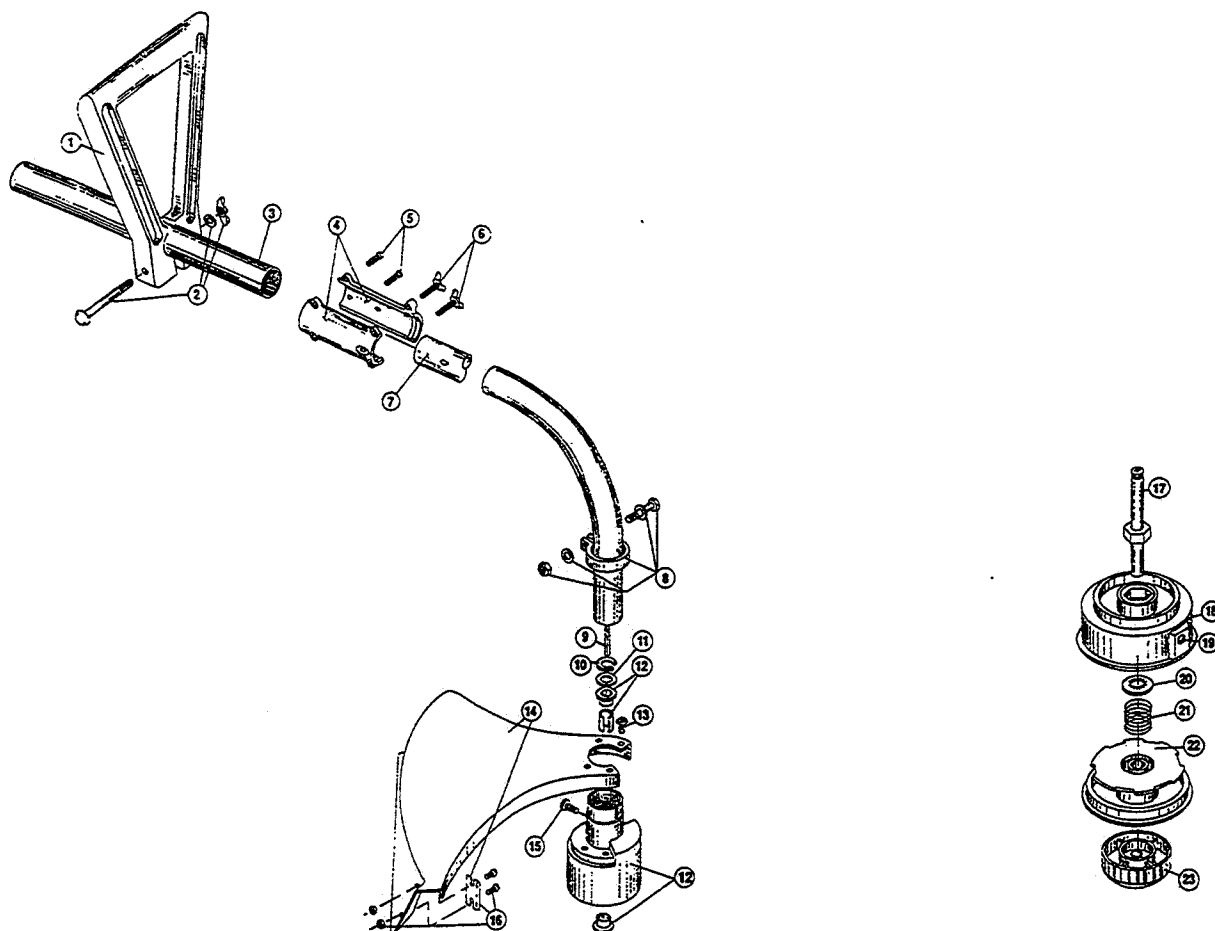


Item	Part No.	Description
1	180300	Motor Cover Screw Set
2	145569	Anti-Rotation Screw
3	180301	Motor Housing Assembly
4	180302	Two-Speed Switch Assembly
5	180150	Switch Assembly
6	180151	Trigger

Item	Part No.	Description
7	180305	Terminal Block
8	612468	Spring
9	180152	Driver
10	180154	Motor
11	180155	Cooling Fan
12	180156	Power Cord

The above part numbers are for serial numbers 110245626 thru 301035200.

BOOM & TRIMMER PARTS - IDC 130



Item	Part No.	Description
1	145568	D-Handle
2	153317	D-Handle Hardware Assembly
3	180309	Upper Drive Shaft Housing Assembly
4	683605	Split-Boom Coupling Set
5	683606	Coupling Bolt Assembly
6	683607	Adjustment Knob Set
7	683604	Lower Drive Shaft Housing Assembly
8	153597	Lower Clamp Assembly
9	683608	Lower Flexible Drive Shaft
10	145570	Retaining Ring
11	145567	Washer
12	153312	Bushing Housing Assembly
13	153318	Guard Mounting Screw Assembly
14	683274	Guard and Blade Assembly
15	145569	Anti-Rotation Screw
16	682601	Blade Assembly
17	153313	Spool Shaft
18	153619	Outer Spool and Eyelet Assembly

Item	Part No.	Description
19	145566	Eyelet
20	610660	Retainer (10 pack)
21	610317	Spring
22	153600	Inner Reel
23	153066	Bump Head Knob Assembly

Optional Accessories

*	610375	Monofil Cutting Line, (50 ft.)
*	153577	Spool and Line, (30 ft.)
*	682075	Shoulder Strap Assembly
*	147823	Replacement Head Assembly (items 12, 14-27)
*		not shown