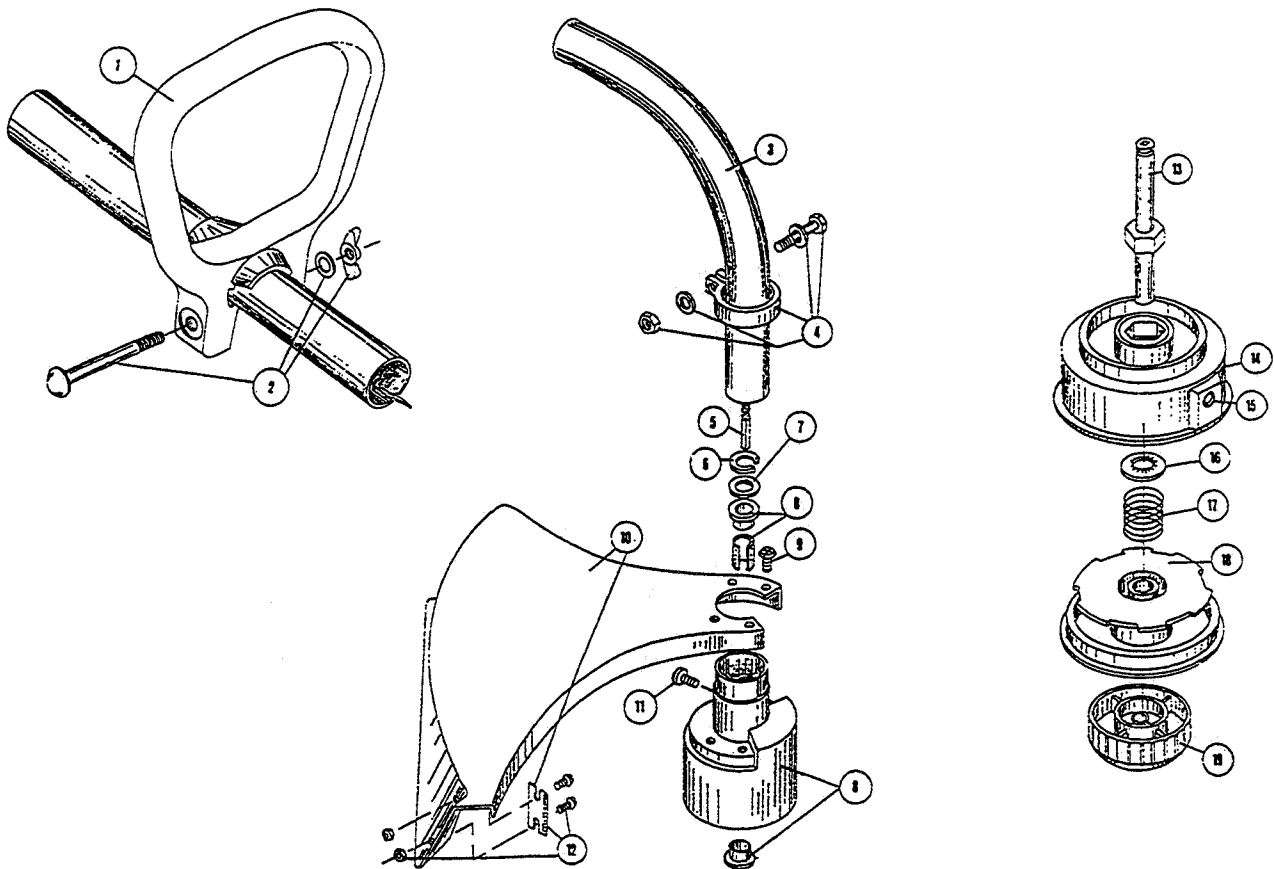


Item	Part No.	Description
1	180147	Motor Cover Screw Set
2	145569	Anti-Rotation Screw
3	180148	Motor Housing Assembly
4	180150	Switch
5	180151	Trigger

Item	Part No.	Description
6	180152	Driver
7	180153	Motor
8	180155	Cooling Fan
9	180156	Power Cord

The above part numbers are for serial numbers 912099001 thru 004017000.

**BOOM AND TRIMMER PARTS-IDC 110**



Item	Part No.	Description
1	145819	D-Handle
2	153523	D-Handle Hardware Assembly
3	180113	Drive Shaft Housing Assembly
4	153597	Lower Clamp Assembly
5	682064	Flexible Drive Shaft
6	145570	Retaining Ring
7	145567	Washer
8	153312	Bushing Housing Assembly
9	153318	Guard Mounting Screws
10	180114	Guard and Blade Assembly
11	145569	Anti-Rotation Screw
12	682061	Blade Assembly

Item	Part No.	Description
13	153313	Spool Shaft
14	153647	Outer Spool and Eyelet Assembly
15	145566	Eyelet
16	610660	Retainer (10 pack)
17	610317	Spring
18	153600	Inner Reel
19	153066	Bump Head Knob Assembly
*	180117	Monofail Cutting Line (50 ft.)
*	180066	Spool and Line (30 ft.) Assembly
*		not shown