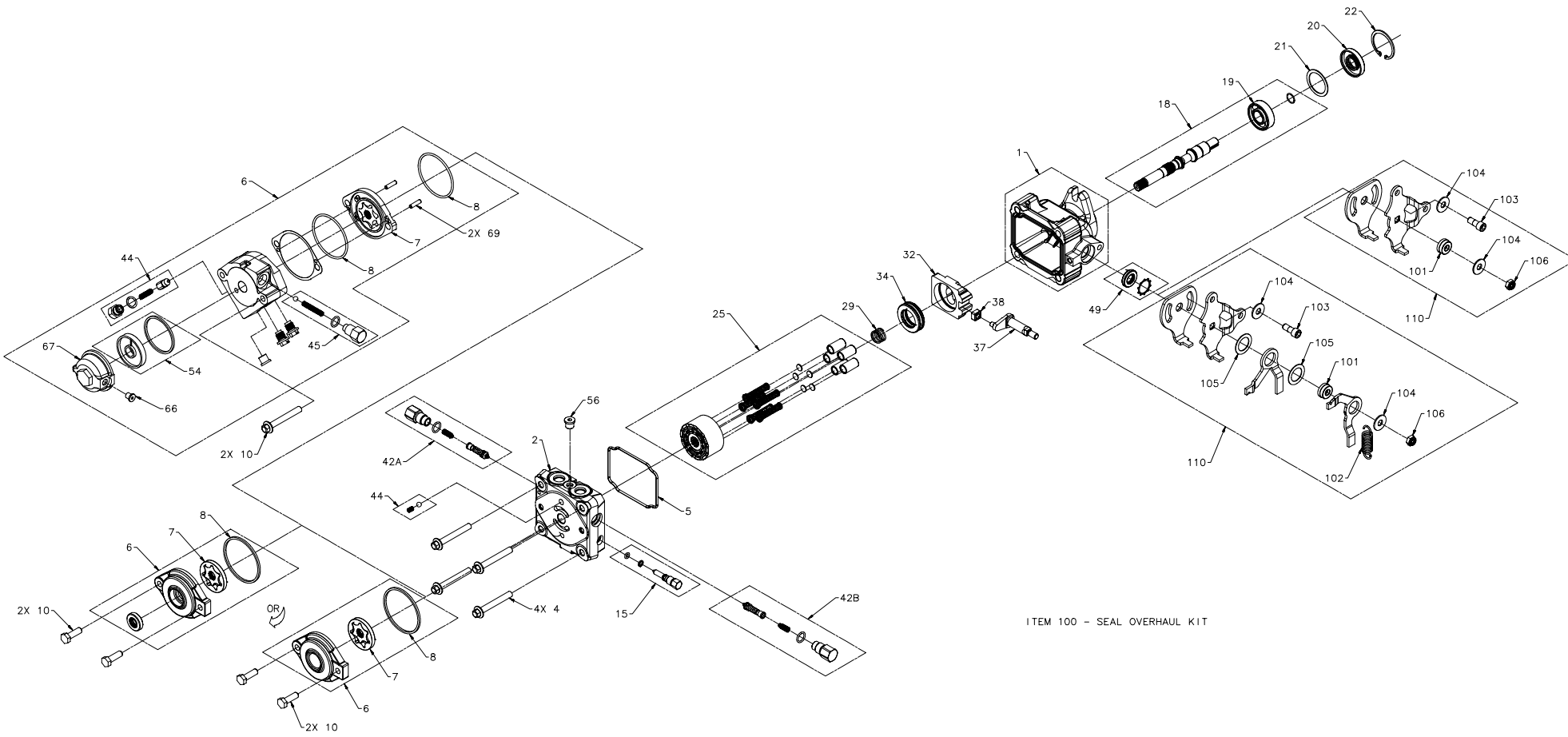
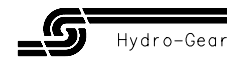


PC SERIES SERVICE SCHEMATIC



ITEM 100 - SEAL OVERHAUL KIT



PC SERIES Item # Listing

MODEL NUMBER: P C - [] [] [] [] - [] [] [] [] - [] [] [] []
 CHARACTER #: 1 2 - 3 4 5 6 - 7 8 9 10 - 11 12 13 14

GENERIC PARTS LISTING (ALL MODELS)		
ITEM #	COMPONENT #	DESCRIPTION
4	50969	HEX FLANGE BOLT M8-1.25 x 60mm LG
5	52031	HOUSING O-RING
19	50315	BALL BEARING 17 X 40 X 12
20	51161	LIP SEAL 17 X 40 X 7 PTC
21	50951	SPACER
22	50329	RETAINING RING
25	71169	CYLINDER BLOCK KIT
29	52054	BLOCK SPRING
32	51996	SWASHPLATE
34	52002	BALL THRUST BEARING
38	2000015	SLOT GUIDE
45	2510082	KIT, AUX RELIEF VALVE
49	2513043	TRUNNION SEAL / RETAINER KIT
54	2510090	AUXILIARY FILTER KIT
56	9005110-3100	PLUG, 5/16-24 (METAL)
66	9005110-3100	PLUG, 5/16-24 (METAL)
67	50994	FILTER COVER
100	70525	OVERHAUL SEAL KIT
101	51396	SPACER RTN
102	51399	SPRING, EXTENSION
103	51616	SCREW, 5/16 X .875 (PATCH)
104	44130	WASHER .34 X .88 X .06
105	51408	WASHER, NYLON
106	50108	NUT, HEX LOCK 5/16-24 UNF (NYLON INSERT)
150	51394	ARM, CONTROL
151	44130	WASHER

CHARACTER #S	PAGE #	
1	GENERIC PARTS	N/A
2	GENERIC PARTS	N/A
3	END CAP, AND INPUT SHAFT KITS	3
4	ORIENTATION ONLY	N/A
5	SHOCK VALVE KITS, "A" SIDE	3
6	SHOCK VALVE KITS, "B" SIDE	3
7	END CAP, AND INPUT SHAFT KITS	4
8	HOUSING & RETURN KITS	4
9	BYPASS KITS	4
10	FAN KITS	N/A
11	SPECIAL INFORMATION	N/A
12	SPECIAL INFORMATION	N/A
13	SPECIAL INFORMATION	N/A
14	SPECIAL INFORMATION	N/A

PC SERIES Item # Listing

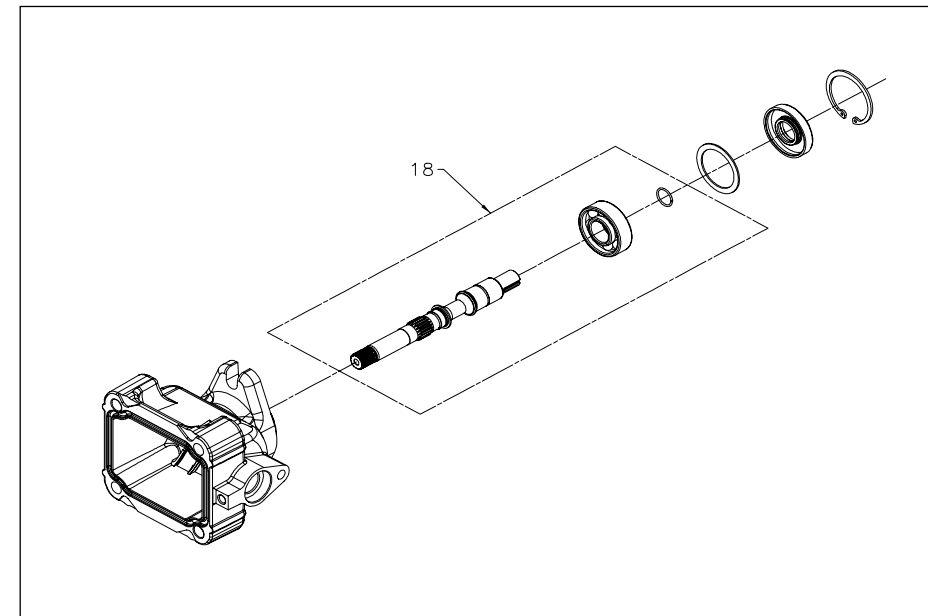
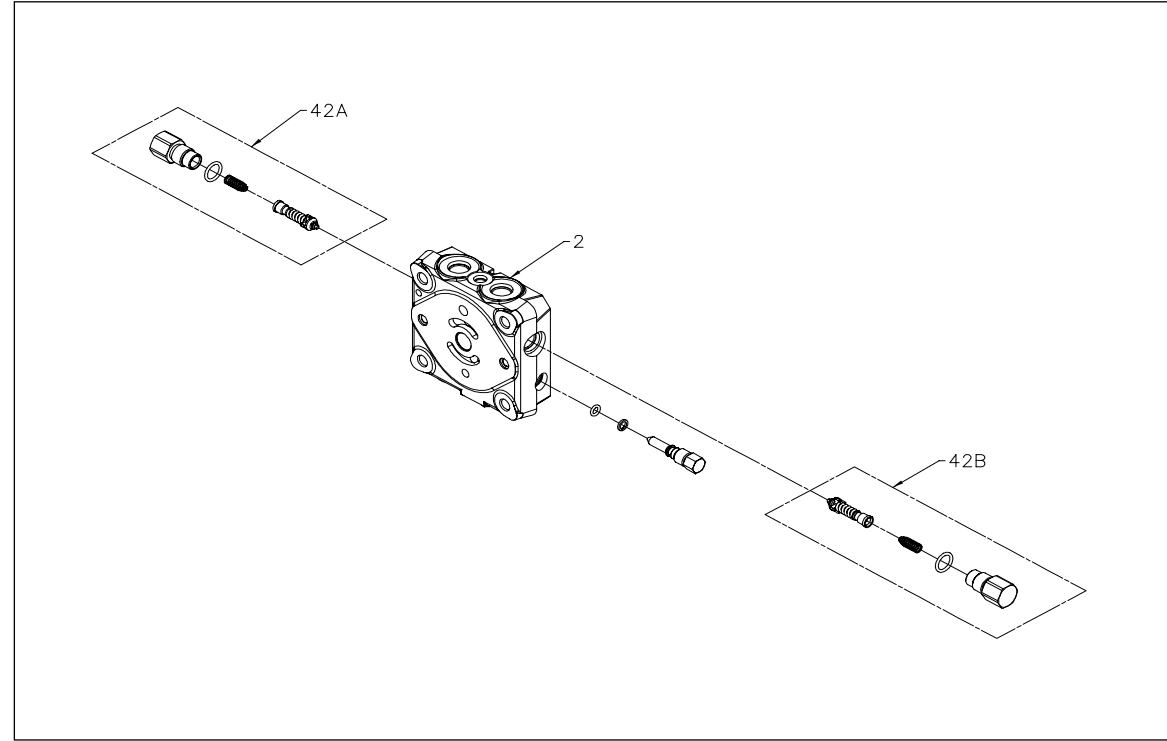
MODEL NUMBER:

P	C	-														
1	2	-	3	4	5	6	-	7	8	9	10	-	11	12	13	14

END CAP, AND INPUT SHAFT KITS				
CHARACTER 3	ITEM #	COMPONENT #	DESCRIPTION	QTY
A	18	71258	KIT, PUMP SHAFT (1/2" KEYED, STD CHG)	1
B	18	71259	KIT, PUMP SHAFT (1/2" KEYED, STD CHG)	1
C	18	71260	KIT, PUMP SHAFT (9T, STD CHG)	1

SHOCK VALVE KITS, "A" SIDE				
CHARACTER 5	ITEM #	COMPONENT #	DESCRIPTION	QTY
A	42A	70741	KIT, SHOCK VALVE (200 BAR, BLANK ORIFICE)	1
B		70742	KIT, SHOCK VALVE (200 BAR, .024 ORIFICE)	1
C		70743	KIT, SHOCK VALVE (200 BAR, .031 ORIFICE)	1
D		70744	KIT, SHOCK VALVE (200 BAR, .044 ORIFICE)	1
E		70836	KIT, SHOCK VALVE (160 BAR, BLANK ORIFICE)	1
F		70837	KIT, SHOCK VALVE (160 BAR, .024 ORIFICE)	1
G		70838	KIT, SHOCK VALVE (160 BAR, .031 ORIFICE)	1
H		70839	KIT, SHOCK VALVE (160 BAR, .044 ORIFICE)	1
J		70840	KIT, SHOCK VALVE (120 BAR, BLANK ORIFICE)	1
K		70841	KIT, SHOCK VALVE (120 BAR, .024 ORIFICE)	1
L		70842	KIT, SHOCK VALVE (120 BAR, .031 ORIFICE)	1
M		70843	KIT, SHOCK VALVE (120 BAR, .044 ORIFICE)	1

SHOCK VALVE KITS, "B" SIDE				
CHARACTER 6	ITEM #	COMPONENT #	DESCRIPTION	QTY
A	42B	70741	KIT, SHOCK VALVE (200 BAR, BLANK ORIFICE)	1
B		70742	KIT, SHOCK VALVE (200 BAR, .024 ORIFICE)	1
C		70743	KIT, SHOCK VALVE (200 BAR, .031 ORIFICE)	1
D		70744	KIT, SHOCK VALVE (200 BAR, .044 ORIFICE)	1
E		70836	KIT, SHOCK VALVE (160 BAR, BLANK ORIFICE)	1
F		70837	KIT, SHOCK VALVE (160 BAR, .024 ORIFICE)	1
G		70838	KIT, SHOCK VALVE (160 BAR, .031 ORIFICE)	1
H		70839	KIT, SHOCK VALVE (160 BAR, .044 ORIFICE)	1
J		70840	KIT, SHOCK VALVE (120 BAR, BLANK ORIFICE)	1
K		70841	KIT, SHOCK VALVE (120 BAR, .024 ORIFICE)	1
L		70842	KIT, SHOCK VALVE (120 BAR, .031 ORIFICE)	1
M		70843	KIT, SHOCK VALVE (120 BAR, .044 ORIFICE)	1



PC SERIES Item # Listing

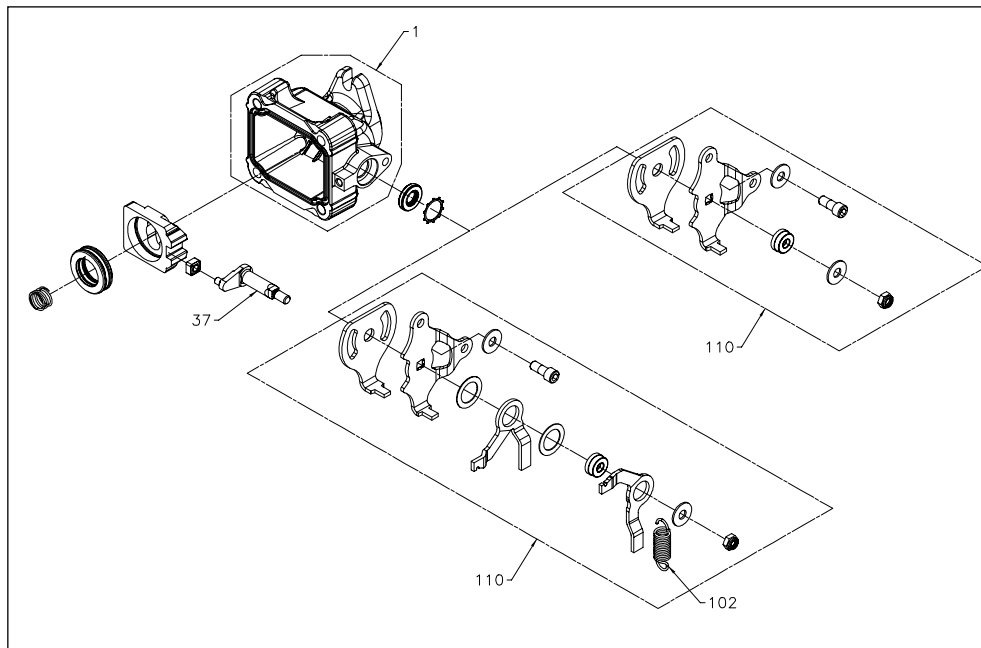
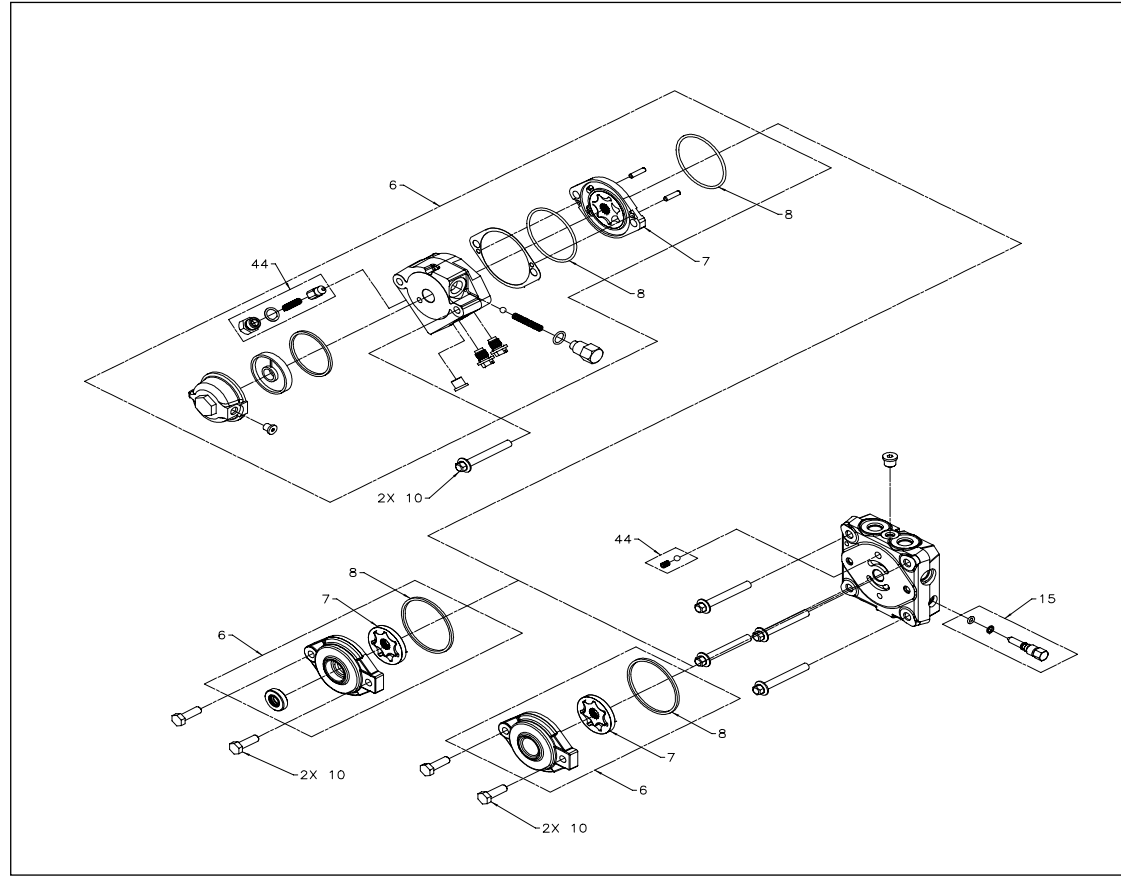
MODEL NUMBER:

P	C	-														
1	2	-	3	4	5	6	-	7	8	9	10	-	11	12	13	14

END CAP, AND INPUT SHAFT KITS				
CHARACTER 7	ITEM #	COMPONENT #	DESCRIPTION	QTY
M	2	52024	END CAP	1
	6	71261	KIT, CHARGE PUMP (STD CHG)	1
	7	51346	GEROTOR	1
	8	51016	O-RING	1
	10	9007200-3116	HHCS 5/16-18 X 1	2
	44	70403	CHARGE RELIEF VALVE KIT (1/4" PLASTIC BALL & 50654 SPRING)	1
N	2	52024	END CAP	1
	6	70622	KIT, CHARGE PUMP (STD CHG), THRU	1
	7	51346	GEROTOR	1
	8	51016	O-RING	1
	10	9007200-3116	HHCS 5/16-18 X 1	2
	44	70403	CHARGE RELIEF VALVE KIT (1/4" PLASTIC BALL & 50654 SPRING)	1
H	2	52222	END CAP	1
	6	70577	KIT, CHARGE PUMP (AUX CHG)	1
	7	51049	GEROTOR	1
	8	51014	O-RING	2
	10	50969	HFCHS M8X1.25X60	2
	44	2510081	KIT, CHARGE RELIEF	1

HOUSING & RETURN KITS				
CHARACTER 8	ITEM #	COMPONENT #	DESCRIPTION	QTY
A, B	1	71256	KIT, HOUSING	1
	37	50807	ARM, TRUNNION, TAPERED SQUARE	1
	102	51399	SPRING, EXTENSION (STD)	1
	110	70794	KIT, RTN	1
C, D	1	71256	KIT, HOUSING	1
	37	50807	ARM, TRUNNION, TAPERED SQUARE	1
	102	51399	SPRING, EXTENSION (STD)	1
	110	70846	KIT, CW RTN SCISSOR	1
E, F	1	71256	KIT, HOUSING	1
	37	50807	ARM, TRUNNION, TAPERED SQUARE	1
	102	51399	SPRING, EXTENSION (STD)	1
	110	70847	KIT, CCW RTN SCISSOR	1
V, W	1	71256	KIT, HOUSING	1
	37	50807	ARM, TRUNNION, TAPERED SQUARE	1
Y	1	71256	KIT, HOUSING	1
	37	2003005	ARM, TRUNNION, DOUBLE D	1
1	1	71256	KIT, HOUSING	1
	37	50807	ARM, TRUNNION, TAPERED SQUARE	1
2, 3	1	71256	KIT, HOUSING	1
	37	50807	ARM, TRUNNION, TAPERED SQUARE	1
	110	71255	KIT, RTN	1

BYPASS VALVE KIT				
CHARACTER 9	ITEM #	COMPONENT #	DESCRIPTION	QTY
1	15	71248	KIT, BYPASS VALVE (BLANK)	1



SERVICE DRAWING - PC (6cc)

P 4 of 4

PART NUMBER:

71152

REV: P2