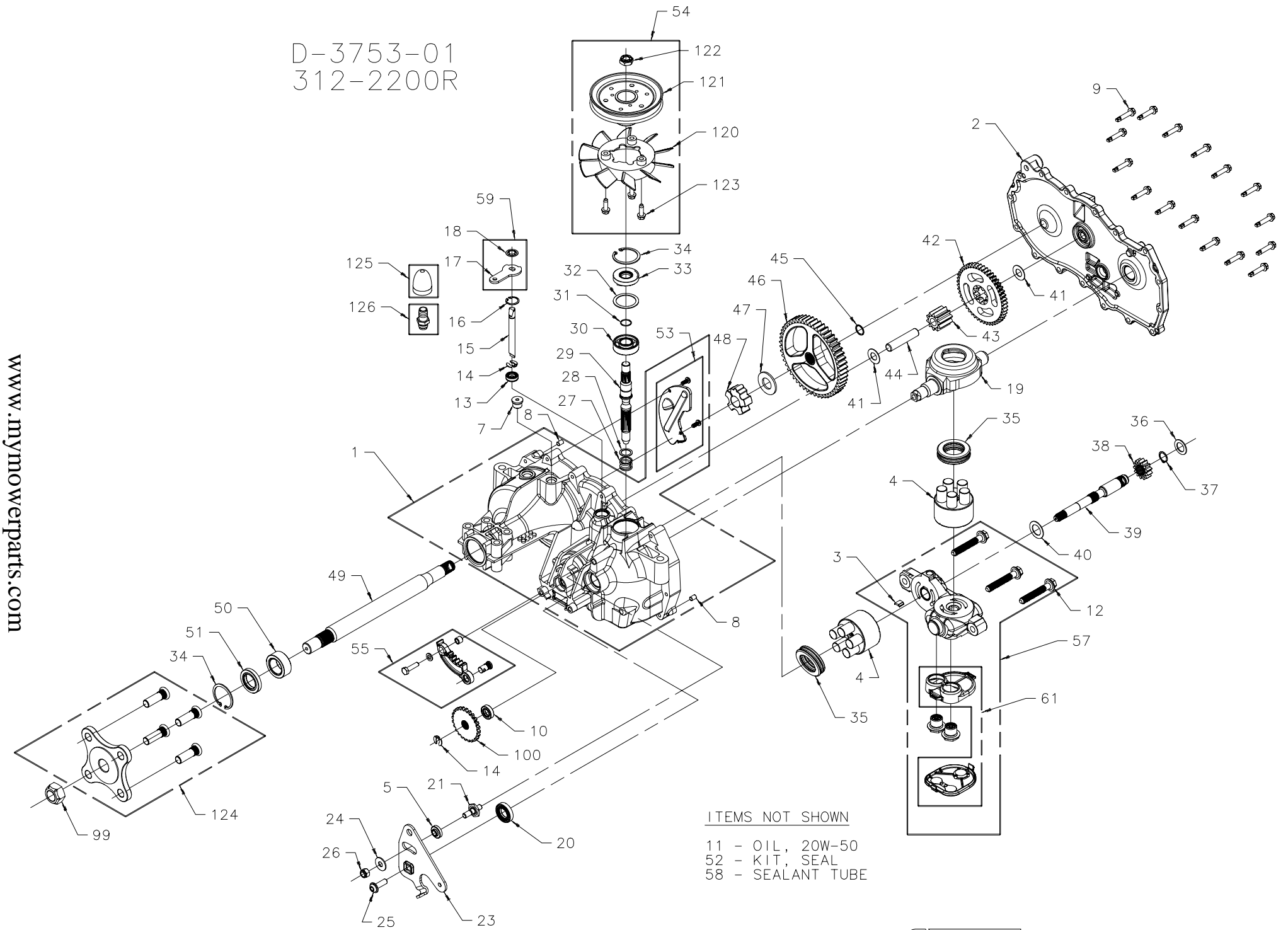


D-3753-01  
312-2200R

For Hydro-Gear Parts Call K&T 606-678-9623 or 606-561-4983

www.mymowerparts.com



ITEMS NOT SHOWN  
 11 - OIL, 20W-50  
 52 - KIT, SEAL  
 58 - SEALANT TUBE

D-3753-01  
312-2200R

ITEM	PART #	QTY	DESCRIPTION
1	71098	1	ASSEMBLY, MAIN HOUSING-RH HOUSING, MAIN RH-MACHINED BUSHING, .865 X .985 X .790 PLATE, EXPANSION RH SCREW, 10-32 X 1/2 (SELF-TAPPING) PIN, STANDARD, HEADLESS SEALANT TUBE, 10.3 oz SEAL, LIP .375 X .75 X .25 BEARING-JOURNAL SEAL, LIP .50* X .88* X .25*
2	70983R	1	ASSEMBLY, SIDE-RH HOUSING, SIDE RH-MACHINED BUSHING, .865 X .985 X .790
3	51448	1	PLATE, BYPASS
4	70331	2	ASSEMBLY, BLOCK BLOCK, CYLINDER PISTON SPRING, COMPRESSION WASHER, THRUST
5	51846	1	SPACER
7	9005110-5600	1	PLUG, SAE #6
8	9004800-2506	2	PIN, STAINLESS, HEADLESS
9	51190	16	HFHCS 1/4-20 X 1.25 (SELF-TAPPING)
10	9008000-0125	1	SEAL, LIP .50 X .88 X .25
11		56 oz.	OIL, 20W-50
12	50016	3	BOLT, HEX FLANGE 3/8-24 X 2.5
13	51626	1	SEAL, LIP .375 X .75 X .25
14	51628	2	RING, RETAINING .375 EXT
15	51625	1	ROD, BYPASS
16	51627	1	RING, RETAINING .750 INT
17	51629	1	ARM, BYPASS
18	51630	1	RING, RETAINING .375 EXT (PUSHNUT)
19	51048	1	SWASHPLATE, TRUNNION, MACHINED
20	51140	1	SEAL, LIP 18 X 32 X 7
21	50426	1	STUD, SHORT 5/16-24
23	51841	1	ARM, CONTROL RH
24	44130	1	WASHER, FLAT 11/32 ID X 7/8 OD X 1/16
25	51812	1	TWHCS 5/16-24 X 1.0
26	50317	1	NUT, HEX LOCK 5/16-24 UNJF
27	2003014	1	SPRING-HELICAL COMPRESSION
28	2003017	1	WASHER .591 X .787 X .040
29	51062	1	SHAFT, INPUT
30	50315	1	BEARING, BALL 17MM ID X 40MM OD X 12MM
31	2000022	1	RING, RETAINING WIRE .561 ID
32	50951	1	SPACER
33	51161	1	SEAL, LIP 17 X 40 X 7
34	50329	2	RING, RETAINING

ITEM	PART #	QTY	DESCRIPTION
35	50551	2	BEARING, THRUST 30 X 52 X 13
36	44371	1	WASHER, FLAT 5/8 ID X 1.0 OD X .05
37	44145	1	RING, RETAINING
38	51130	1	GEAR, PINION, 13T
39	51845	1	SHAFT, MOTOR
40	51069	1	WASHER, MOTOR SHAFT .71 ID X 1.16 OD X .04
41	50132	2	WASHER, HT .5 ID X 1.0 OD X .032
42	51129	1	GEAR, 10T/48T
43	51043	1	GEAR, 10T JACKSHAFT
44	51083	1	PIN, JACKSHAFT
45	44871	1	RING, SPIRAL RETAINING
46	51633	1	GEAR, 52T BULL
47	44875	1	WASHER, 3/4 ID X 1-1/2 OD X .13
48	51088	1	BEARING, SLEEVE (INBOARD)
49	51858	1	SHAFT, AXLE 1.00/.75 X 12.65 (FLANGE)
50	51517	1	BUSHING, 1.003 X 1.571 X .625
51	51518	1	LIP SEAL 1.00 X 1.577 X .25
52	70853	1	KIT, SEAL SEAL, LIP .625 X 1.000 X .250 SEAL, LIP .375 X .75 X .25 SEAL, LIP 18 X 32 X 7 SEAL, LIP 17 X 40 X 7 SEAL, LIP .750 X 1.577 X .250 SEAL, LIP 1.00 X 1.577 SEAL, LIP .50 X .88 X .25
			RING, RETAINING .375 EXT RING, RETAINING .750 INT RING, RETAINING .375 EXT RING, RETAINING 1.56 INT RING, RETAINING WIRE .561 RING, RETAINING .62 EXT RING, RETAINING, SPIRAL
53	70868R	1	KIT, EXPANSION PLATE, RH PLATE, EXPANSION RH SCREW, 10-32 X 1/2 (SELF-TAPPING)
54	70591	1	KIT, FAN-PULLEY FAN, 6", 10 BLADE PULLEY, 4.5" NUT, HEX LOCK 1/2-20 (NYLON INSERT) SCREW, HEX WASHER HEAD TAPPING 1/4-20 X .75

ITEM	PART #	QTY	DESCRIPTION
55	71070	1	KIT, BRAKE ARM ARM, PARKING BRAKE WASHER .28 X .50 X .063 BOLT, 1/4-20 X 1 W/PATCH BUSHING, .260 X .394 X .330 PIN, CLEVIS
57	70864R	1	KIT, CENTER SECTION-FILTER RH CENTER SECTION, RH-MACHINED BUSHING, .707 X .788 X .591 PLATE, BYPASS BOLT, HEX FLANGE 3/8-24 X 2.5 FILTER, BASE CHECK PLUG ASSEMBLY .027, WASHER ASSEMBLY, COVER
58	50928	1	SEALANT TUBE, 10.3 oz
59	70891	1	KIT, BYPASS ARM ARM, BYPASS RING, RETAINING .375 EXT (PUSHNUT)
61	70911	1	KIT, FILTER FILTER, BASE ASSEMBLY, COVER
99	50863	1	NUT, HEX 3/4-16
100	51635	1	DISC, COG BRAKE
120	51365	1	FAN, 6", 10 BLADE
121	50302	1	HUB PULLEY KIT 4.5"
122	51244	1	HEX LOCK NUT, 1/2-20 (NYLON INSERT)
123	50752	3	HEX WASHER HEAD TAPPING SCREW 1/4-20 X .25
124	70314	1	HUB ASSEMBLY, 1/2-20 HUB STUD, 1/2-20 X 1.5 (RIB NECK)
125	70921	1	CAP-VENT ASS'Y. PLASTIC VENT CAP-POPPET VALVE
126	70110	1	FITTING-O RING ASS'Y. PLASTIC HOSE FITTING O-RING