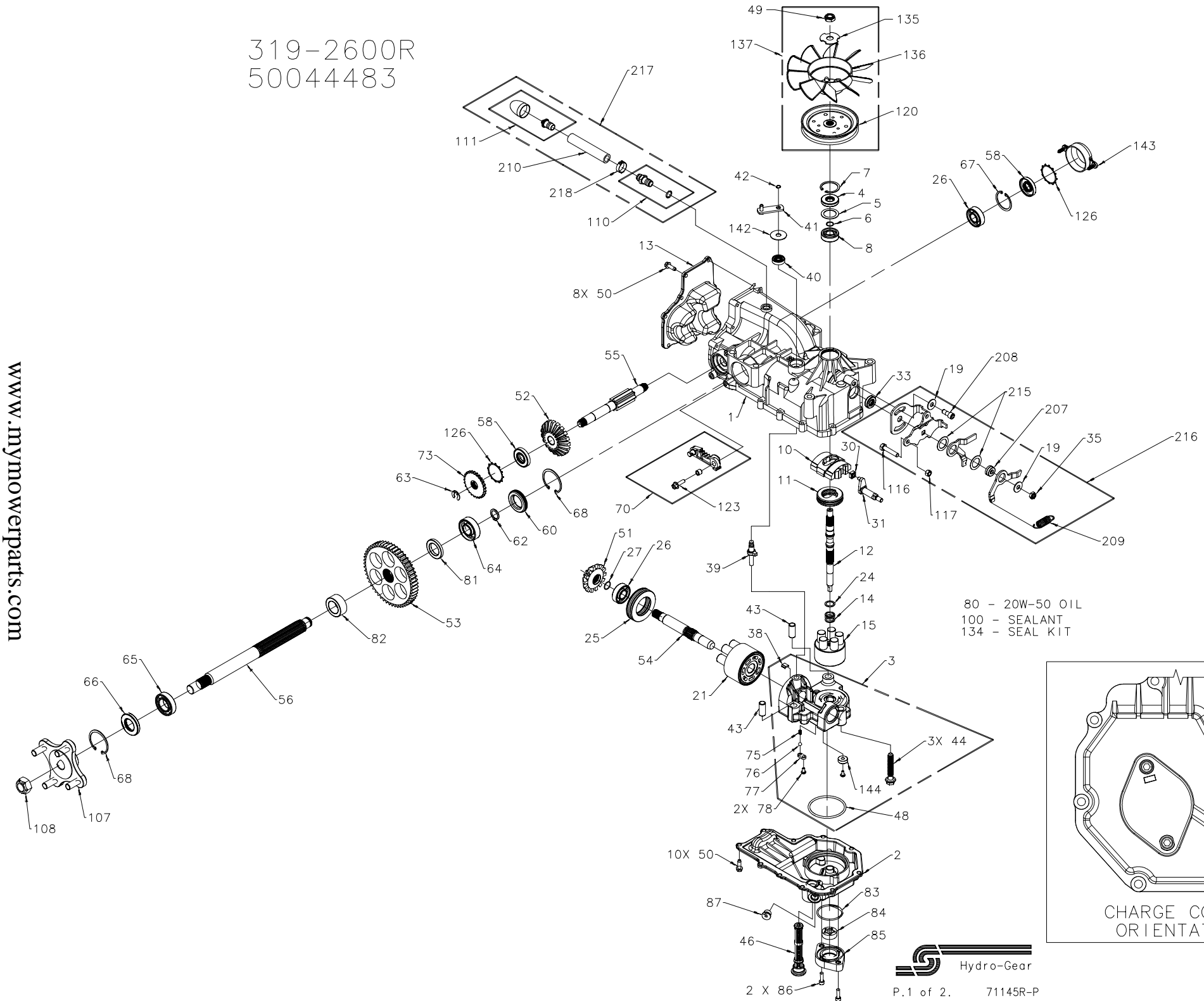
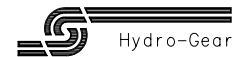
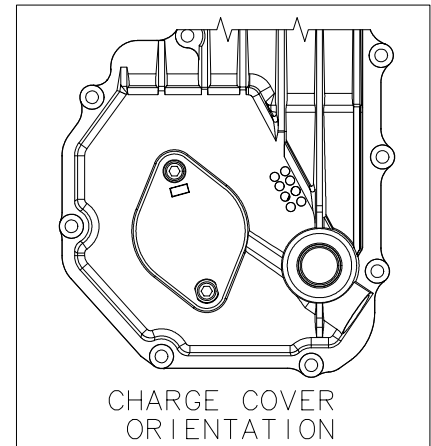


319-2600R
50044483

www.mymowerparts.com



80 - 20W-50 OIL
100 - SEALANT
134 - SEAL KIT



For Hydro-Gear Parts Call K&T 606-678-9623 or 606-561-4983

319-2600R
50044483

ITEM NO.	HYDRO-GEAR PART NO.	QTY.	DESCRIPTION
1	70652	1	KIT, HOUSING - MAIN
		1	HOUSING, MAIN
		2	CRADLE BEARING
		1	SCREW HFHC 1/4-28 X 7/8 (PATCH)
		1	TRUNNION BUSHING
		1	LIP SEAL, 12 X 25 X 7
		1	SHAFT, BRAKE
		1	WASHER, .34 X .88 X .03
2	51866	1	LOWER HOUSING
3	70903	1	KIT, CENTER SECTION
		1	CENTER SECTION
		1	BUSHING .67 X 1.03 X .75
		1	PLATE, BYPASS
		3	SCREW 3/8-24 X 2.5
		2	ASS'Y, SHOCK VALVE 190 BAR, .027
		1	SPRING, CHARGE RELIEF
		1	BALL, 1/4
		1	O-RING, .139 X 2.984 X 7
		1	PLATE, RELIEF
		2	BOLT, SELF TAPPING, 10-32 X .5
		1	MAGNET, RING
4	9008000-0128	1	LIP SEAL
5	2003018	1	SPACER
6	2003016	1	WIRE RETAINING RING
7	2003052	1	RETAINING RING
8	2003043	1	BALL BEARING
10	2003087	1	VARIABLE SWASHPLATE
11	50551	1	THRUST BEARING 30 X 52 X 13
12	51771	1	INPUT SHAFT
13	50891RM	1	COVER-BACK
14	2003014	1	SPRING, BLOCK
15	70331	1	10cc CYLINDER BLOCK ASS'Y
		1	10cc CYLINDER BLOCK
		5	10cc PISTON SPRING
		5	PISTON SEAT WASHER
		5	10cc PISTON
19	44130	2	WASHER
21	70082	1	21cc CYLINDER BLOCK ASS'Y
		1	21cc CYLINDER BLOCK
		7	21cc PISTON SPRING
		7	PISTON SEAT WASHER
		7	21cc PISTON
24	2003017	1	WASHER, BLOCK THRUST
25	50552	1	THRUST BEARING 42 X 68 X 16
26	50315	2	BALL BEARING
27	2000022	1	WIRE RETAINING RING
30	2000015	1	SLOT GUIDE
31	50807	1	TRUNNION ARM
33	9008000-0126	1	LIP SEAL
35	50108	1	HEX LOCK NUT, 5/16-24 UNJF (NYLON INSERT)
38	70680	1	KIT, BYPASS PLATE
39	2003555	1	BYPASS ACTUATOR
40	45074	1	LIP SEAL
41	50270	1	BYPASS ARM
42	44870	1	RETAINING RING

ITEM NO.	HYDRO-GEAR PART NO.	QTY.	DESCRIPTION
43	50002	2	PIN
44	50016	3	SCREW
46	51931	1	ASSEMBLY, FILTER
48	50578	1	O-RING, .139 X 2.984
49	51244	1	NUT, HEX LOCKING 1/2-20
50	50752	18	SCREW, 1/4-20 X .75 LONG
51	50744	1	14T BEVEL GEAR
52	50745	1	19T BEVEL GEAR
53	50746	1	53T SPUR GEAR
54	50757	1	MOTOR SHAFT
55	51298	1	BRAKE SHAFT
56	50748	1	SHAFT, AXLE 1.00 X 11.04 (KEY)
58	51161	2	SEAL, LIP 17 X 40 X 7
60	50995	1	SEAL PLUG - SIDE
62	50759	1	RETAINING RING - AXLE
63	51109	1	RETAINING RING
64	50743	1	BEARING-BALL 20X47X14(6204)
65	50740	1	BEARING-BALL 25X47X12(6005)
66	50751	1	SEAL
67	50329	1	RETAINING RING
68	50760	2	RETAINING RING-AXLE
70	71087	1	ASSEMBLY, BRAKE ARM - LH
		1	BRAKE ARM
		1	CLEVIS PIN
		1	BUSHING .255 X .381 X .330
		1	SCREW, HFHC 1/4-20 X 7/8 (PATCH)
		1	DISC, BRAKE
73	50754	1	THRUST BEARING 30 X 52 X 13
75	2000029	1	SPRING, HELICAL
76	9001214-2500	1	BALL, 1/4
77	50651	1	PLATE, RELIEF
78	50653	2	BOLT, SELF TAPPING
80		79oz	20W-50 OIL
81	51939	1	WASHER, AXLE 1.04 X 1.65 X .22
82	51940	1	WASHER, AXLE 1.04 X 1.65 X .70
83	9004101-1340	1	O-RING .103 X 1.862
84	50273	1	ASSEMBLY, GEROTOR
85	50260	1	COVER, GEROTOR
86	50095	1	SHCS M6 X 20
87	9005110-5600	2	PLUG, 9/16-18 (METAL)
100	50928	1	SEALANT
107	70314	1	HUB, ASSEMBLY
		1	HUB
		4	BOLT, LUG
108	50863	1	NUT, HEX, 3/4-16
110	70110	1	FITTING, O-RING ASSEMBLY
		1	PLASTIC HOSE FITTING
		1	O-RING
111	70921	1	CAP VENT ASSEMBLY
		1	CAP, PLASTIC
		1	VENT, PLASTIC
116	51753	1	BOLT, 5/16-18
117	43083	1	NUT, HEX, 5/16-18 NC
120	51182	1	PULLEY, 4.5
121	51753	1	BOLT, 5/16-18 X 1.5 UNC-2A
123	51576	1	SCREW, HFHCS 1/4-28
126	51316	2	RING, RETAINING

ITEM NO.	HYDRO-GEAR PART NO.	QTY.	DESCRIPTION
134	70553	1	KIT, SEAL
		1	SEAL, LIP 15 X 35 X 7
		1	RING, RETAINING
		1	SEAL, LIP 12 X 25 X 7
		1	SEAL, LIP 10 X 25 X 7
		1	RING, RETAINING
		2	SEAL, LIP 17 X 40 X 7
		1	SEAL, LIP 1.85 X .32
		1	RING, RETAINING
		1	RING, RETAINING .440 EXTERNAL
		1	SEAL, LIP .98 X 1.85 X .276
		1	RING, RETAINING
		2	RING, RETAINING
		2	RING, RETAINING
		2	SEAL, LIP 17 X 40 X 5
135	51523	1	WASHER, SLOTTED
136	51862	1	FAN, 7", 10 BLADE
137	71086	1	KIT, FAN-PULLEY
		1	FAN, 7", 10 BLADE
		1	HEX JAM NUT 1/4-20
		1	PULLEY, 4.5
		1	WASHER, SLOTTED
		1	WASHER
142	51813	1	WASHER
143	51774	1	CAP, BRAKE
144	51100	1	MAGNET, RING
207	51604	1	SPACER, RTN
208	51400	1	SCREW, 5/16-24 X .75 (PATCH)
209	51833	1	SPRING, EXTENSION
210	51401	1	HOSE .5 X 4.00
215	51408	2	WASHER, NYLON
216	71039	1	RTN, KIT
		2	WASHER
		1	HEX LOCK NUT, 5/16-24 UNJF (NYLON INSERT)
		1	SPACER, RTN
		1	SCREW, 5/16-24 X .75 (PATCH)
		1	SPRING, EXTENSION
		2	WASHER, NYLON
		1	CONTROL ARM
		1	ARM, CCW RTN SCISSOR, OUTER
		1	ARM, RTN SCISSOR, INNER
		1	ARM, RETURN
217	71004	1	KIT, BREATHER
		1	FITTING, O-RING ASSEMBLY
		1	CAP, VENT ASSEMBLY
		1	HOSE, ϕ .50 X 4.00
		1	PINCH CLAMP, SINGLE EAR, 13/16
218	50590	1	PINCH CLAMP, SINGLE EAR, 13/16

www.mymowerparts.com



For Hydro-Gear Parts Call K&T 606-678-9623 or 606-561-4983