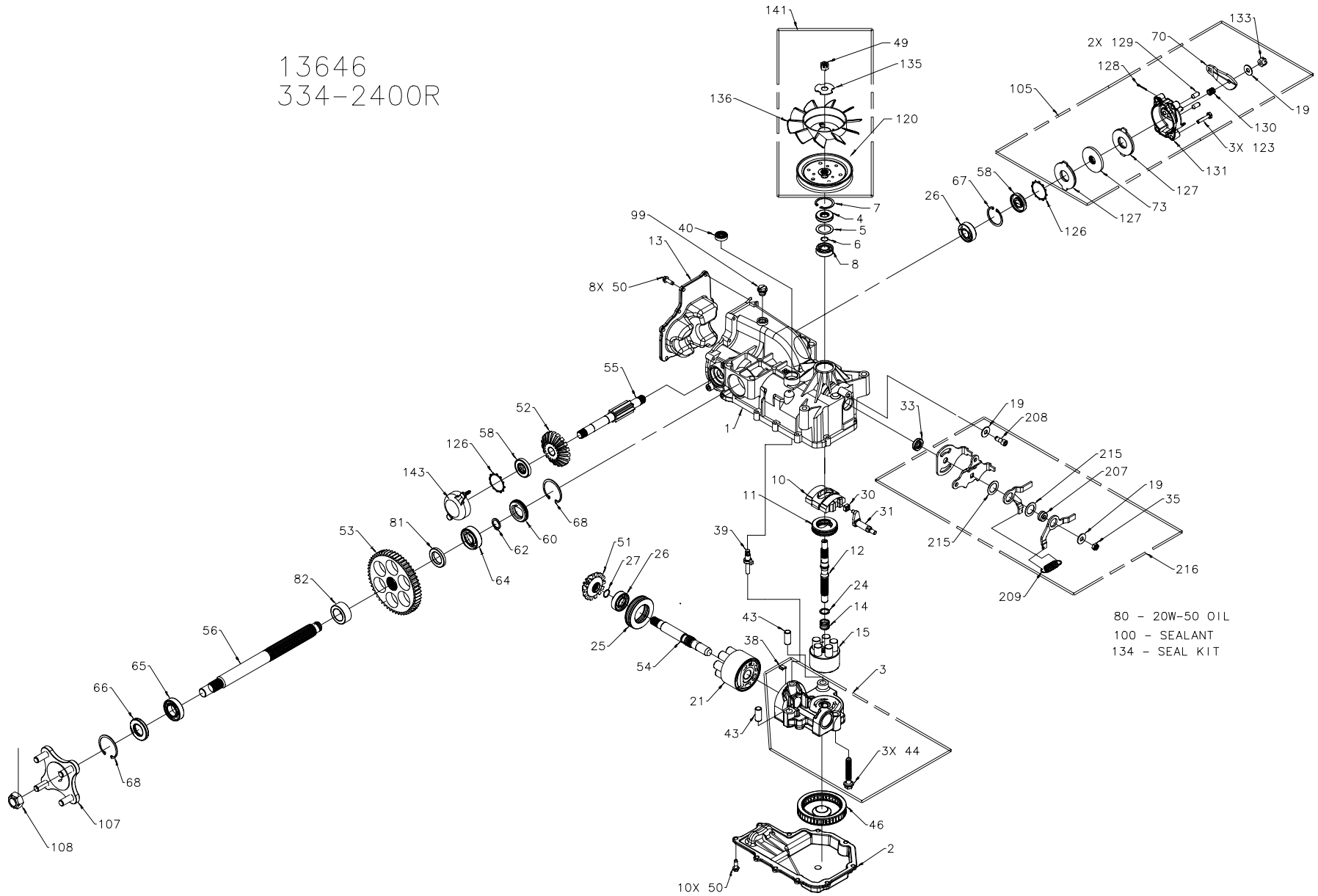
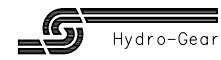


13646
334-2400R



80 - 20W-50 OIL
100 - SEALANT
134 - SEAL KIT



13646
334-2400R

| ITEM # | PART # | QTY | DESCRIPTION |
|--------|--------------|------|-------------------------------------|
| 1 | 70652 | 1 | KIT, HOUSING-MAIN |
| | | 1 | HOUSING, MAIN |
| | | 2 | BEARING, CRADLE |
| | | 1 | SEAL, LIP 12 X 25 X 7 |
| | | 1 | BUSHING, TRUNNION |
| | | 1 | SHAFT, BRAKE |
| | | 1 | SCREW, HFHC 1/4-28 X 7/8 (PATCH) |
| | | 1 | WASHER, .34 X .88 X .03 |
| 2 | 50890RM | 1 | HOUSING, LOWER |
| 3 | 70667 | 1 | KIT, CENTER SECTION |
| | | 1 | CENTER SECTION |
| | | 1 | BUSHING, .67 X 1.03 X .75 |
| | | 1 | PLATE, BYPASS |
| | | 3 | SCREW, 3/8-24 X 2.5 |
| | | 2 | CHEK PLUG ASSEMBLY, .044 |
| | | 1 | SEAL, LIP |
| 4 | 9008000-0128 | 1 | SPACER |
| 5 | 2003018 | 1 | RING, WIRE RETAINING |
| 6 | 2003016 | 1 | RING, RETAINING |
| 7 | 2003052 | 1 | BEARING, BALL |
| 8 | 2003043 | 1 | VARIABLE SWASHPLATE |
| 10 | 2003087 | 1 | BEARING, THRUST 30 X 52 X 13 |
| 11 | 50551 | 1 | SHAFT, INPUT |
| 12 | 50005 | 1 | COVER-BACK |
| 13 | 50891RM | 1 | SPRING, BLOCK |
| 14 | 2003014 | 1 | CYLINDER BLOCK ASS'Y, 10cc |
| 15 | 70331 | 1 | CYLINDER BLOCK, 10cc |
| | | 5 | PISTON SPRING, 10cc |
| | | 5 | WASHER, PISTON SEAT |
| | | 5 | PISTON, 10cc |
| 19 | 44130 | 3 | WASHER |
| 21 | 70082 | 1 | CYLINDER BLOCK ASS'Y, 21cc |
| | | 1 | CYLINDER BLOCK, 21cc |
| | | 7 | PISTON SPRING, 21cc |
| | | 7 | WASHER, PISTON SEAT |
| | | 7 | PISTON, 21cc |
| 24 | 2003017 | 1 | WASHER, BLOCK THRUST |
| 25 | 50552 | 1 | BEARING, THRUST 42 X 68 X 16 |
| 26 | 50315 | 2 | BEARING, BALL |
| 27 | 2000022 | 1 | RING, WIRE RETAINING |
| 30 | 2000015 | 1 | SLOT GUIDE |
| 31 | 50807 | 1 | ARM, TRUNNION |
| 33 | 9008000-0126 | 1 | SEAL, LIP |
| 35 | 50317 | 2 | NUT |
| 38 | 70680 | 1 | KIT, BYPASS PLATE |
| 39 | 2003555 | 1 | BYPASS ACTUATOR |
| 40 | 45074 | 1 | SEAL, LIP |
| 41 | 50126 | 1 | ARM, BYPASS |
| 42 | 44870 | 1 | RING, RETAINING |
| 43 | 50002 | 2 | PIN |
| 44 | 50016 | 3 | SCREW |
| 46 | 50990 | 1 | FILTER |
| 49 | 51244 | 1 | NUT, HEX LOCK 1/2-20 (NYLON INSERT) |
| 50 | 50752 | 18 | SCREW, 1/4-20 X .75 LONG |
| 51 | 50744 | 1 | GEAR, 14T BEVEL |
| 52 | 50745 | 1 | GEAR, 19T BEVEL |
| 53 | 50746 | 1 | GEAR, 53T SPUR |
| 54 | 50757 | 1 | SHAFT, MOTOR |
| 55 | 51335 | 1 | SHAFT, BRAKE |
| 56 | 50748 | 1 | SHAFT, AXLE |
| 58 | 51161 | 2 | SEAL, LIP 17 X 40 X 7 |
| 60 | 50995 | 1 | SEAL, PLUG - SIDE |
| 62 | 50759 | 1 | RING, RETAINING - AXLE |
| 64 | 50743 | 1 | BEARING, BALL 20X47X14(6204) |
| 65 | 50740 | 1 | BEARING, BALL 25X47X12(6005) |
| 66 | 50751 | 1 | SEAL |
| 67 | 50329 | 1 | RING, RETAINING |
| 68 | 50760 | 2 | RING, RETAINING-AXLE |
| 70 | 51349 | 1 | ARM, BRAKE |
| 73 | 44855 | 1 | ROTOR, BRAKE |
| 80 | | 79oz | 20W-50 OIL |
| 81 | 51939 | 1 | SPACER, AXLE 1.04 X 1.65 X .22 |
| 82 | 51940 | 1 | SPACER, AXLE 1.04 X 1.65 X .70 |
| 99 | 9005200-5600 | 1 | PLUG, PLASTIC |
| 100 | 50928 | 1 | SEALANT |

| ITEM # | PART # | QTY | DESCRIPTION |
|--------|--------|-----|---|
| 105 | 70561 | 1 | KIT, BRAKE |
| | | 1 | WASHER |
| | | 1 | ARM, BRAKE |
| | | 1 | ROTOR, BRAKE |
| | | 3 | SCREW, 1/4-28 X 1.38 W/PATCH |
| | | 2 | STATOR, BRAKE FRICTION |
| | | 1 | PIN, COTTER 3/32 X 3/4 |
| | | 2 | PIN, BRAKE ACTUATING |
| | | 1 | SPRING, COMPRESSION, ANTI DRAG |
| | | 1 | KIT, YOKE-BRAKE |
| | | 1 | NUT, SLOTTED HEX 5/16-24 |
| 107 | 70314 | 1 | ASSEMBLY, HUB |
| | | 1 | HUB |
| | | 4 | BOLT, LUG |
| 108 | 50863 | 1 | NUT, HEX 3/4-16 |
| 119 | 50278 | 1 | SPACER |
| 120 | 51182 | 1 | PULLEY, 4.5" |
| 123 | 51341 | 3 | SCREW, 1/4-28 X 1.25 W/PATCH |
| 126 | 51316 | 2 | RING, RETAINING |
| 127 | 51340 | 2 | STATOR, BRAKE FRICTION |
| 128 | 44101 | 1 | PIN, COTTER 3/32 X 3/4 |
| 129 | 44127 | 2 | PIN, BRAKE ACTUATING |
| 130 | 50919 | 1 | SPRING, COMPRESSION BRAKE ANTI DRAG |
| 131 | 70560 | 1 | KIT, YOKE-BRAKE |
| | | 1 | BOLT, SQ HD 5/16-24 RIBBED |
| | | 1 | YOKE, BRAKE |
| 133 | 44142 | 1 | NUT, SLOTTED HEX 5/16-24 |
| 134 | 70553 | 1 | KIT, SEAL |
| | | 1 | SEAL, LIP 15 X 35 X 7 |
| | | 1 | RING, RETAINING |
| | | 1 | SEAL, LIP 12 X 25 X 7 |
| | | 1 | SEAL, LIP 10 X 25 X 7 |
| | | 1 | RING, RETAINING |
| | | 18 | HFHCS 1/4-20 X .75 (ZINC) |
| | | 1 | SEAL PLUG (1.86) |
| | | 1 | RING, RETAINING |
| | | 1 | RING, RETAINING 440 EXTERNAL |
| | | 1 | SEAL, LIP 25 X 47 X 7 |
| | | 1 | RING, RETAINING |
| | | 2 | RING, RETAINING |
| | | 2 | RING, RETAINING |
| 135 | 51523 | 1 | WASHER, OD SLOTTED .53 X 1.63 X .06 |
| 136 | 51362 | 1 | FAN, 6", 10 BLADE |
| 137 | 50259 | 1 | SPACER |
| 138 | 43177 | 3 | WASHER, LOCK, 1/4 REGULAR |
| 139 | 44276 | 3 | BOLT, 1/4-20 X 1-1/2 W/PATCH |
| 140 | 43178 | 3 | NUT, HEX, 1/4-20NC |
| 141 | 70583 | 1 | KIT, FAN/PULLEY |
| | | 1 | NUT, HEX LOCK 1/2-20 (NYLON INSERT) |
| | | 1 | PULLEY, 4.5" |
| | | 1 | WASHER, OD SLOTTED .53 X 1.63 X .06 |
| | | 1 | FAN, 6", 10 BLADE |
| | | 1 | CAP, BRAKE |
| | | 1 | SPACER, RTN |
| 143 | 51774 | 1 | SCREW, 5/16-24 X .75 (PATCH) |
| 207 | 51604 | 1 | SPRING, EXTENSION |
| 208 | 51400 | 1 | WASHER, NYLON |
| 209 | 51399 | 1 | KIT, RTN |
| 215 | 51408 | 1 | WASHER |
| 216 | 70609 | 1 | NUT, HEX LOCK 5/16-24 UNJF (NYLON INSERT) |
| | | 1 | SPACER, RTN |
| | | 1 | SCREW, 5/16-24 X .75 (PATCH) |
| | | 1 | SPRING, EXTENSION |
| | | 1 | WASHER, NYLON |
| | | 1 | ARM, CONTROL |
| | | 1 | ARM, RTN SCISSOR, OUTER |
| | | 1 | ARM, RTN SCISSOR, INNER |
| | | 1 | ARM, RETURN |