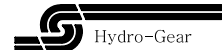
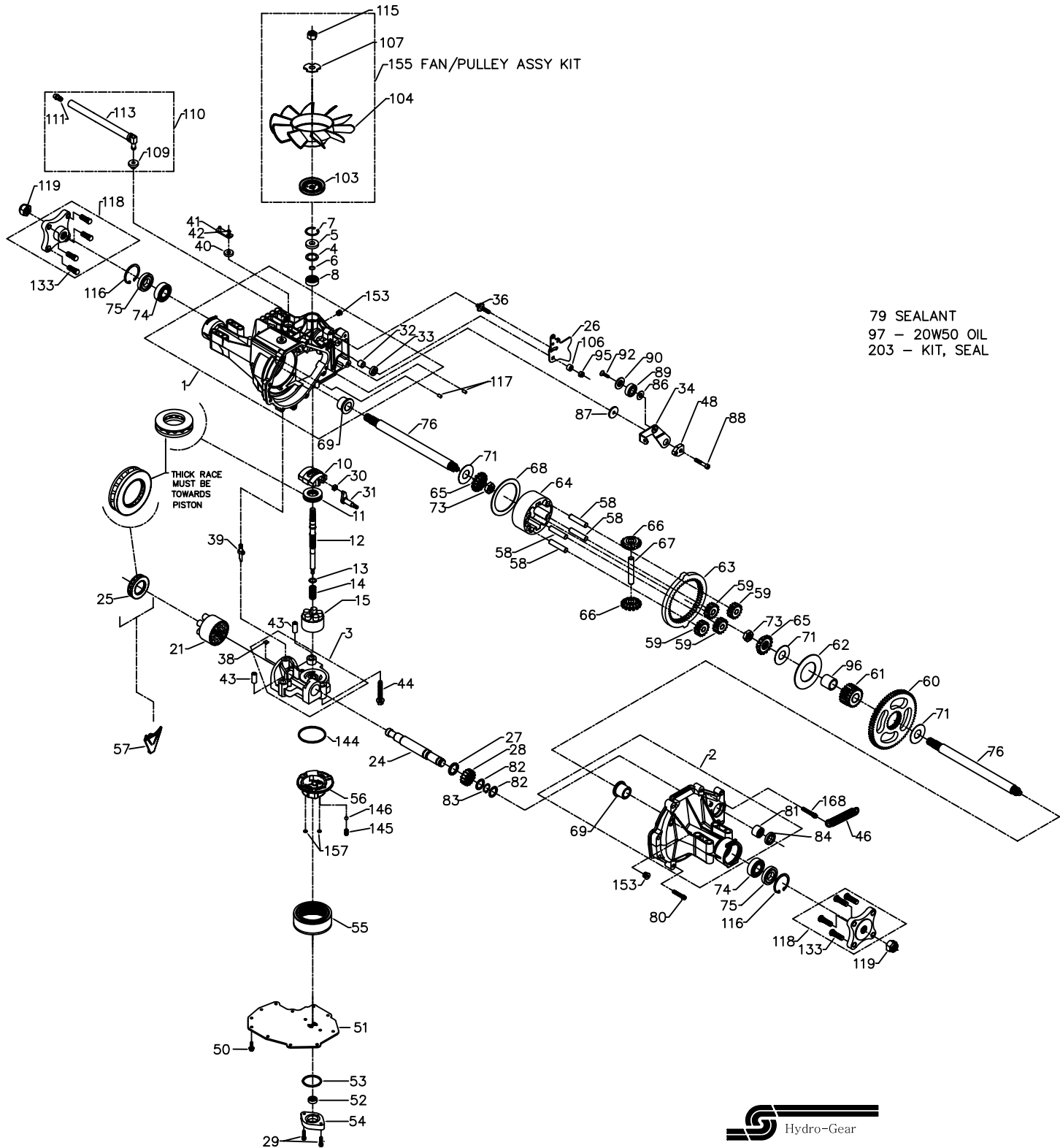


327-3000



327-3000

ITEM #	PART #	QTY	DESCRIPTION
1	70433	1	HOUSING, MAIN ASSEMBLY
		1	HOUSING, MAIN
		1	SEAL, LIP 12X25X7
		1	BEARING, FLANGE
		1	BUSHING, TRUNNION
2	71120	2	BEARING, CRADLE
		1	HOUSING, R.H. ASSEMBLY
		1	BULLETIN, XXXX
		1	HOUSING, R.H.
		1	BEARING, FLANGE
		1	BEARING, NEEDLE .875X1.125X.75
		1	SEAL, LIP .875X1.30X.25
3	70683	1	KIT, CENTER SECTION
		1	CENTER SECTION
		1	BUSHING .50X.60X.50
		1	BUSHING .90X1.02X.75
		1	PLATE, BYPASS
		2	CHECK PLUG ASSEMBLY, .027
4	2003018	1	SPACER
5	9008000-0128	1	SEAL, LIP 15X35X7
6	2003016	1	RING, WIRE RETAINING
7	2003052	1	RING, RETAINING
8	2003043	1	BEARING, BALL 15X35X11
10	2003087	1	SWASHPLATE, VARIABLE
11	50551	1	BEARING, THRUST 30X52X13
12	50795	1	SHAFT, INPUT
13	2003017	1	WASHER, BLOCK THRUST
14	2003014	1	SPRING, BLOCK
15	70331	1	BLOCK, 10cc CYLINDER ASSEMBLY
		1	BLOCK, 10cc CYLINDER
		5	PISTON, 10cc
		5	SPRING, 10cc PISTON
		5	WASHER, PISTON SEAT
21	70082	1	BLOCK, 21cc CYLINDER ASSEMBLY
		1	BLOCK, 21cc CYLINDER
		7	WASHER, PISTON SEAT
		7	PISTON, 21cc
		7	SPRING, 21cc PISTON
24	50662	1	SHAFT, MOTOR
25	50552	1	BEARING, THRUST 42X68X16
26	51250	1	ARM, CONTROL
27	50774	1	SPACER
28	50661	1	GEAR, 16T PINION
29	50975	2	CAPSCREW M6X1X25
30	2000015	1	GUIDE, SLOT
31	50807	1	ARM, TRUNNION
32	2003009	1	BUSHING, TRUNNION
33	9008000-0126	1	SEAL, LIP 12X25X7
34	51127	1	ARM, RETURN
36	50426	1	STUD 5/16-24
38	70680	1	KIT, BYPASS PLATE
39	2003555	1	ACTUATOR, BYPASS
40	45074	1	LIP SEAL
41	50270	1	BYPASS ARM
42	44870	1	RETAINING RING
43	50002	2	PIN
44	50016	3	SCREW 3/8-24 X 2.5
46	51199	1	RETURN SPRING
48	51097	1	ADJUSTING PUCK

ITEM #	PART #	QTY	DESCRIPTION
50	50752	11	SCREW 1/4-20X.75
51	50972	1	COVER, LOWER
52	50723	1	GEROTOR ASSEMBLY
53	9004101-1340	1	O-RING .103X1.862
54	50260	1	COVER, GEROTOR
55	70538	1	KIT, FILTER
		2	GASKET .10X.16X4.24
		1	FILTER
56	51156	1	MANIFOLD, CHARGE
57	50796	1	RETAINER, MOTOR BEARING
58	50776	4	PIN, CARRIER
59	50763	4	GEAR, 15T PLANET
60	50646	1	GEAR, 67T SPUR
61	50645	1	GEAR, 21 TOOTH SUN
62	50769	1	PLATE, PLANET THRUST
63	50764	1	GEAR, 51T RING
64	50765	1	CARRIER, PLANETARY
65	50647	2	GEAR, MITER DIFF. (SPLINED)
66	50648	2	GEAR, MITER DIFF.
67	50766	1	SHAFT, DIFFERENTIAL
68	50767	1	PLATE, THRUST DIFF.
69	50768	2	BEARING, FLANGE
71	50788	3	WASHER 1.0X2.25X.04
73	50791	2	NUT, HEX JAM 5/8-18
74	50771	2	BEARING, BALL 25.4X52X15
75	50772	2	SEAL 1.000X2.049X.375
76	50825	2	SHAFT, AXLE
79	50928	1	SEALANT
80	50868	8	SCREW, TORX HEAD 5/16-18
81	44752	1	BEARING, NEEDLE .875X1.125X.75
82	50777	2	WASHER .88X1.25X.04
83	50775	1	RING, RETAINING
84	50773	1	SEAL, LIP .875X1.3X.25
86	50132	1	WASHER .5X1.0X.03
87	50836	1	WASHER .32X2.0X.14
88	50837	1	SCREW, 5/16-24X1-1/2
89	44147	1	BEARING .625X1.375X.433
90	51200	1	SPACER, LOCATING
92	50870	1	SCREW, COUNTERSUNK 5/16-18X1
95	50108	1	NUT, HEX LOCK 5/16-24
96	50866	1	BEARING, SLEEVE 1.0X1.31X1.34
97		122 OZ	OIL-20W50
103	51242	1	PULLEY
104	51862	1	FAN, 7.0 (10 BLADE)
106	50850	1	SPACER, TRUNNION
107	51523	1	WASHER, OD SLOTTED .53 X 1.63 X .06
109	50133	1	BUSHING, RUBBER
110	70302	1	KIT, FITTING
		1	BUSHING, RUBBER
		1	VENT, CAP ASSEMBLY
		1	FITTING, HOSE ASSEMBLY
111	70109	1	VENT, CAP ASSEMBLY
		1	VENT, PLASTIC
		1	VENT, CAP
113	70301	1	FITTING, HOSE ASSEMBLY
		1	FITTING
		1	Ø1/2 HOSE, 20" LONG
		1	CLAMP, PINCH
115	44133	1	NUT, HEX 1/2-20
116	50859	2	RING, RETAINING
117	9004800-2506	2	PIN, STD HDLS
118	70314	2	HUB ASSEMBLY
		4	STUD, 1/2-20X1.5
		1	HUB
119	50863	2	NUT, HEX 3/4-16

ITEM #	PART #	QTY	DESCRIPTION
133	44431	8	STUD, 1/2-20X1.5
144	50974	1	O-RING .103X2.987
145	51157	1	SPRING, RELIEF
146	9001214-4400	1	BALL, 7/16
153	9005110-5600	2	PLUG, STRAIGHT THREAD
155	70489	1	FAN/PULLEY ASSY KIT
		1	PULLEY
		1	FAN, 7.0 (10 BLADE)
		1	WASHER, OD SLOTTED .53 X 1.63 X .06
		1	NUT, HEX 1/2-20
157	50977	4	O-RING .070X.239
168	51151	1	SCREW, SHOULDERED TORX HEAD 5/16-18
203	70492	1	KIT, SEAL
		1	SEAL, LIP 15X35X7
		1	SEAL, LIP 12X25X7
		1	SEAL, LIP 10X25X7
		1	O-RING .103X1.862
		2	SEAL, LIP 1.000X2.049X.375
		1	SEAL, LIP .875X1.375X.250
		2	O-RING .070X.239
		1	KIT, O-RING MANIFOLD

