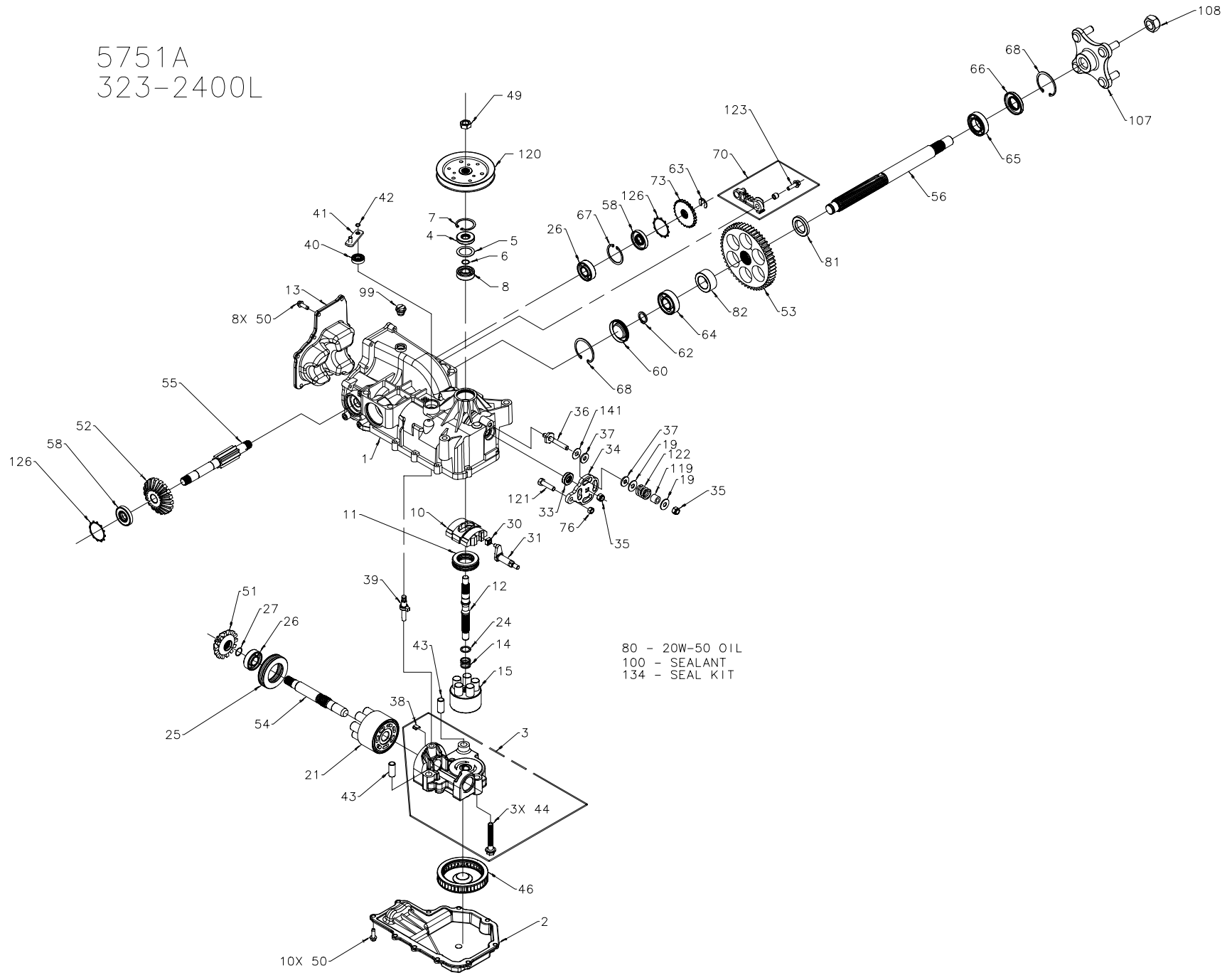


5751A  
323-2400L



80 - 20W-50 OIL  
100 - SEALANT  
134 - SEAL KIT

www.mymowerparts.com

For Hydro-Gear Parts Call K&T 606-678-9623 or 606-561-4983

5751A  
323-2400L

| ITEM # | PART #       | QTY | DESCRIPTION                      |
|--------|--------------|-----|----------------------------------|
| 1      | 70652        | 1   | KIT, HOUSING-MAIN                |
|        |              | 1   | HOUSING, MAIN                    |
|        |              | 2   | CRADLE BEARING                   |
|        |              | 1   | SEAL, LIP 12 X 25 X 7            |
|        |              | 1   | TRUNNION BUSHING                 |
|        |              | 1   | SHAFT, BRAKE                     |
|        |              | 1   | SCREW, HFHC 1/4-28 X 7/8 (PATCH) |
|        |              | 1   | WASHER .34 X .88 X .03           |
| 2      | 50890RM      | 1   | LOWER HOUSING                    |
| 3      | 70667        | 1   | KIT, CENTER SECTION              |
|        |              | 1   | CENTER SECTION                   |
|        |              | 1   | BUSHING .67 X 1.03 X .75         |
|        |              | 1   | PLATE, BYPASS                    |
|        |              | 3   | SCREW 3/8-24 X 2.5               |
|        |              | 2   | CHECK PLUG ASSEMBLY, .027        |
|        |              | 1   | LIP SEAL                         |
| 4      | 9008000-0128 | 1   | SPACER                           |
| 5      | 2003018      | 1   | WIRE RETAINING RING              |
| 6      | 2003016      | 1   | RETAINING RING                   |
| 7      | 2003052      | 1   | BALL BEARING                     |
| 8      | 2003043      | 1   | VARIABLE SWASHPLATE              |
| 10     | 2003087      | 1   | THRUST BEARING 30 X 52 X 13      |
| 11     | 50551        | 1   | INPUT SHAFT                      |
| 12     | 50005        | 1   | COVER-BACK                       |
| 13     | 50891RM      | 1   | SPRING, BLOCK                    |
| 14     | 2003014      | 1   | 10cc CYLINDER BLOCK ASS'Y        |
| 15     | 70331        | 1   | 10cc CYLINDER BLOCK              |
|        |              | 5   | 10cc PISTON SPRING               |
|        |              | 5   | PISTON SEAT WASHER               |
|        |              | 5   | 10cc PISTON                      |
| 19     | 44130        | 2   | WASHER                           |
| 21     | 70082        | 1   | 21cc CYLINDER BLOCK ASS'Y        |
|        |              | 1   | 21cc CYLINDER BLOCK              |
|        |              | 7   | 21cc PISTON SPRING               |
|        |              | 7   | PISTON SEAT WASHER               |
|        |              | 7   | 21cc PISTON                      |
| 24     | 2003017      | 1   | WASHER, BLOCK THRUST             |
| 25     | 50552        | 1   | THRUST BEARING 42 X 68 X 16      |
| 26     | 50315        | 2   | BALL BEARING                     |
| 27     | 2000022      | 1   | WIRE RETAINING RING              |
| 30     | 2000015      | 1   | SLOT GUIDE                       |
| 31     | 50807        | 1   | TRUNNION ARM                     |
| 33     | 9008000-0126 | 1   | LIP SEAL                         |
| 34     | 50749        | 1   | CONTROL ARM                      |
| 35     | 50317        | 2   | NUT                              |
| 36     | 50284        | 1   | STUD - LONG 5/16-24              |
| 37     | 50281        | 2   | FRICION PUCK                     |
| 38     | 70680        | 1   | KIT, BYPASS PLATE                |
| 39     | 2003555      | 1   | BYPASS ACTUATOR                  |
| 40     | 45074        | 1   | LIP SEAL                         |
| 41     | 50126        | 1   | ARM, BYPASS                      |
| 42     | 44870        | 1   | RING, RETAINING                  |
| 43     | 50002        | 2   | PIN                              |
| 44     | 50016        | 3   | SCREW                            |
| 46     | 50990        | 1   | FILTER                           |
| 49     | 44133        | 1   | HEX NUT 1/2-20                   |
| 50     | 50752        | 18  | SCREW, 1/4-20 X .75 LONG         |
| 51     | 50744        | 1   | 14T BEVEL GEAR                   |
| 52     | 50745        | 1   | 19T BEVEL GEAR                   |
| 53     | 50746        | 1   | 53T SPUR GEAR                    |
| 54     | 50757        | 1   | MOTOR SHAFT                      |

| ITEM # | PART #       | QTY  | DESCRIPTION                         |
|--------|--------------|------|-------------------------------------|
| 55     | 51298        | 1    | BRAKE SHAFT                         |
| 56     | 50748        | 1    | AXLE SHAFT                          |
| 58     | 51161        | 2    | SEAL, LIP 17 X 40 X 7               |
| 60     | 50995        | 1    | SEAL PLUG - SIDE                    |
| 62     | 50759        | 1    | RETAINING RING - AXLE               |
| 63     | 51109        | 1    | RETAINING RING                      |
| 64     | 50743        | 1    | BEARING-BALL 20X47X14(6204)         |
| 65     | 50740        | 1    | BEARING-BALL 25X47X12(6005)         |
| 66     | 50751        | 1    | SEAL                                |
| 67     | 50329        | 1    | RETAINING RING                      |
| 68     | 50760        | 2    | RETAINING RING-AXLE                 |
| 70     | 70392        | 1    | RH, BRAKE ARM SERVICE ASSEMBLY      |
|        |              | 1    | BRAKE ARM                           |
|        |              | 1    | CLEVIS PIN                          |
|        |              | 1    | BUSHING .255 X .381 X .330          |
|        |              | 1    | SCREW, HFHC 1/4-28 X 7/8 (PATCH)    |
|        |              | 1    | SCREW, HEX WASHER HEAD 1/4-20 X 7/8 |
| 73     | 50754        | 1    | BRAKE DISC                          |
| 76     | 43083        | 1    | NUT, HEX 5/16-18                    |
| 80     |              | 79oz | 20W-50 OIL                          |
| 81     | 51939        | 1    | WASHER, AXLE 1.04 X 1.65 X .22      |
| 82     | 51940        | 1    | WASHER, AXLE 1.04 X 1.65 X .70      |
| 99     | 9005200-5600 | 1    | PLUG, PLASTIC                       |
| 100    | 50928        | 1    | SEALANT                             |
| 107    | 70314        | 1    | HUB ASSEMBLY                        |
|        |              | 1    | HUB                                 |
|        |              | 1    | LUG BOLT                            |
| 108    | 50863        | 1    | NUT, HEX 3/4-16                     |
| 119    | 50278        | 1    | SPACER                              |
| 120    | 51182        | 1    | PULLEY, 4.5                         |
| 121    | 51047        | 1    | BOLT 5/16-18 X 1-1/4                |
| 122    | 50277        | 1    | HELICAL COMP. SPRING                |
| 123    | 51576        | 1    | SCREW, HFHC 1/4-28 X 7/8 (PATCH)    |
| 126    | 51316        | 2    | RING, RETAINING                     |
| 134    | 70553        | 1    | KIT, SEAL                           |
|        |              | 1    | SEAL, LIP 15 X 35 X 7               |
|        |              | 1    | RING, RETAINING                     |
|        |              | 1    | SEAL, LIP 12 X 25 X 7               |
|        |              | 1    | SEAL, LIP 10 X 25 X 7               |
|        |              | 1    | RING, RETAINING                     |
|        |              | 18   | HFHCS 1/4-20 X .75 (ZINC)           |
|        |              | 1    | SEAL PLUG (1.86)                    |
|        |              | 1    | RING, RETAINING                     |
|        |              | 1    | RING, RETAINING .440 EXTERNAL       |
|        |              | 1    | SEAL, LIP 25 X 47 X 7               |
|        |              | 1    | RING, RETAINING                     |
|        |              | 2    | RING, RETAINING                     |
|        |              | 2    | RING, RETAINING                     |
| 141    | 51575        | 1    | WASHER .34 X .88 X .03              |

