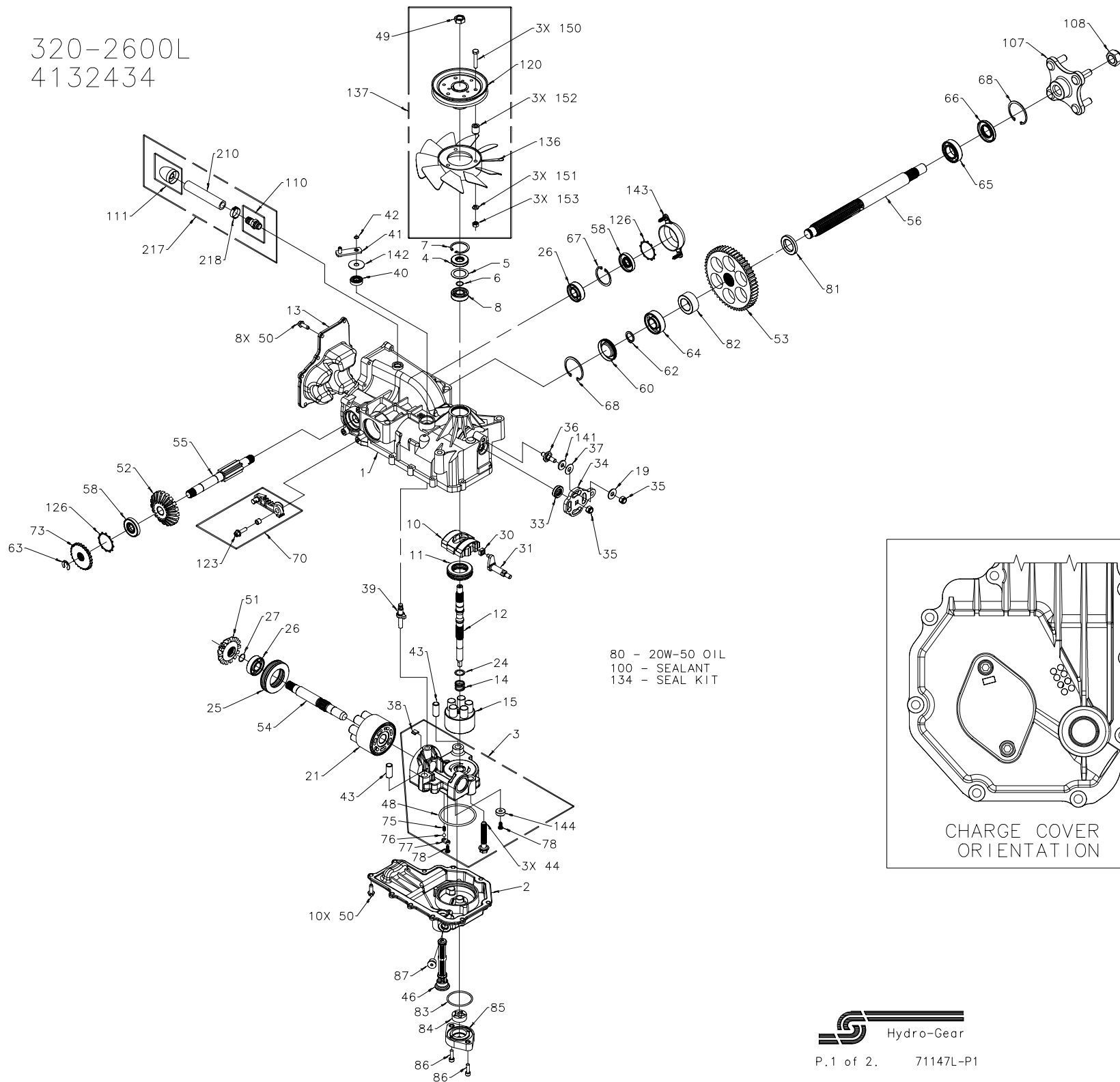
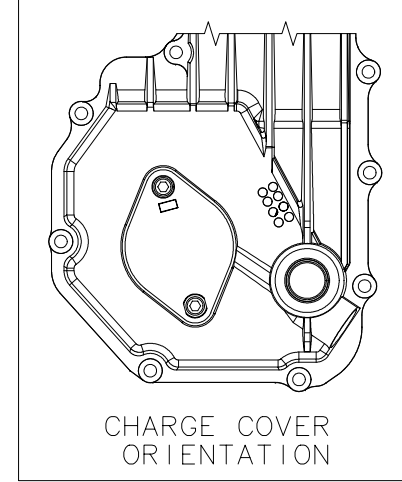


320-2600L
4132434



80 - 20W-50 OIL
100 - SEALANT
134 - SEAL KIT



320-2600L
4132434

| ITEM # | PART # | QTY | DESCRIPTION |
|--------|--------------|-----|------------------------------------|
| 1 | 70627 | 1 | KIT, HOUSING-MAIN |
| | | 1 | HOUSING, MAIN |
| | | 2 | CRADLE BEARING |
| | | 1 | TRUNNION BUSHING |
| | | 1 | SEAL, LIP 12 X 25 X 7 |
| | | 1 | SCREW, HFHC 1/4-28 X 7/8 (PATCH) |
| 2 | 51866 | 1 | HOUSING, LOWER |
| 3 | 70903 | 1 | KIT, CENTER SECTION |
| | | 1 | CENTER SECTION |
| | | 1 | BUSHING .673 X 1.03 X .75 |
| | | 1 | PLATE, BYPASS |
| | | 3 | HFHCS, 3/8-24 X 2.5 (PATCH) |
| | | 2 | ASSEMBLY, SHOCK VALVE .027 |
| | | 1 | CHARGE RELIEF SPRING |
| | | 1 | BALL, 1/4 |
| | | 1 | O-RING, .139 X 2.984 X 7 |
| | | 1 | PLATE, RELIEF |
| | | 2 | BOLT, SELF-TAPPING 10-32 X .5 |
| | | 1 | MAGNET, RING |
| 4 | 9008000-0128 | 1 | LIP SEAL |
| 5 | 2003018 | 1 | SPACER |
| 6 | 2003016 | 1 | WIRE RETAINING RING |
| 7 | 2003052 | 1 | RETAINING RING |
| 8 | 2003043 | 1 | BALL BEARING |
| 10 | 2003087 | 1 | VARIABLE SWASHPLATE |
| 11 | 50551 | 1 | THRUST BEARING 30 X 52 X 13 |
| 12 | 51771 | 1 | SHAFT, INPUT |
| 13 | 50891RM | 1 | COVER-BACK |
| 14 | 2003014 | 1 | SPRING, BLOCK |
| 15 | 70331 | 1 | 10cc CYLINDER BLOCK ASS'Y |
| | | 1 | 10cc CYLINDER BLOCK |
| | | 5 | 10cc PISTON SPRING |
| | | 5 | PISTON SEAT WASHER |
| | | 5 | 10cc PISTON |
| 19 | 44130 | 1 | WASHER |
| 21 | 70082 | 1 | 21cc CYLINDER BLOCK ASS'Y |
| | | 1 | 21cc CYLINDER BLOCK |
| | | 7 | 21cc PISTON SPRING |
| | | 7 | PISTON SEAT WASHER |
| | | 7 | 21cc PISTON |
| 24 | 2003017 | 1 | WASHER, BLOCK THRUST |
| 25 | 50552 | 1 | THRUST BEARING 42 X 68 X 16 |
| 26 | 50315 | 2 | BALL BEARING |
| 27 | 2000022 | 1 | WIRE RETAINING RING |
| 30 | 2000015 | 1 | SLOT GUIDE |
| 31 | 50807 | 1 | TRUNNION ARM |
| 33 | 9008000-0126 | 1 | LIP SEAL |
| 34 | 50749 | 1 | CONTROL ARM |
| 35 | 50317 | 2 | NUT |
| 36 | 50426 | 1 | STUD - SHORT 5/16-24 |
| 37 | 50281 | 1 | FRICTION PUCK |
| 38 | 70680 | 1 | KIT, BYPASS PLATE |
| 39 | 2003555 | 1 | BYPASS ACTUATOR |
| 40 | 45074 | 1 | LIP SEAL |
| 41 | 50270 | 1 | BYPASS ARM |
| 42 | 44870 | 1 | RETAINING RING |
| 43 | 50002 | 2 | PIN |
| 44 | 50016 | 3 | SCREW |
| 46 | 51931 | 1 | ASSEMBLY, FILTER |
| 48 | 50578 | 1 | O-RING, .139 X 2.984 |
| 49 | 51244 | 1 | HEX LOCK NUT 1/2-20 (NYLON INSERT) |
| 50 | 50752 | 18 | SCREW, 1/4-20 X .75 LONG |

| ITEM # | PART # | QTY | DESCRIPTION |
|--------|--------------|------|----------------------------------|
| 51 | 50744 | 1 | 14T BEVEL GEAR |
| 52 | 50745 | 1 | 19T BEVEL GEAR |
| 53 | 50746 | 1 | 53T SPUR GEAR |
| 54 | 50757 | 1 | MOTOR SHAFT |
| 55 | 51298 | 1 | BRAKE SHAFT |
| 56 | 50748 | 1 | AXLE SHAFT |
| 58 | 51161 | 2 | SEAL, LIP 17 X 40 X 7 |
| 60 | 50995 | 1 | SEAL PLUG - SIDE |
| 62 | 50759 | 1 | RETAINING RING - AXLE |
| 63 | 51109 | 1 | RETAINING RING |
| 64 | 50743 | 1 | BEARING-BALL 20X47X14(6204) |
| 65 | 50740 | 1 | BEARING-BALL 25X47X12(6005) |
| 66 | 50751 | 1 | SEAL |
| 67 | 50329 | 1 | RETAINING RING |
| 68 | 50760 | 2 | RETAINING RING-AXLE |
| 70 | 71087 | 1 | LH, BRAKE ARM SERVICE ASSEMBLY |
| | | 1 | BRAKE ARM |
| | | 1 | CLEVIS PIN |
| | | 1 | BUSHING .255 X .381 X .330 |
| | | 1 | SCREW, HFHC 1/4-20 X 7/8 (PATCH) |
| 73 | 50754 | 1 | BRAKE DISC |
| 75 | 2000029 | 1 | SPRING, HELICAL |
| 76 | 9001214-2500 | 1 | BALL, 1/4" |
| 77 | 50651 | 1 | PLATE, RELIEF |
| 78 | 50653 | 2 | BOLT, SELF TAPPING |
| 80 | | 79oz | 20W-50 OIL |
| 81 | 51939 | 1 | SPACER 1.04 X 1.65 X .22 |
| 82 | 51940 | 1 | SPACER 1.04 X 1.65 X .70 |
| 83 | 9004101-1340 | 1 | O-RING .103 X 1.862 |
| 84 | 50273 | 1 | ASSEMBLY, GEROTOR |
| 85 | 50260 | 1 | COVER GEROTOR |
| 86 | 50095 | 2 | SHCS M6 X 20 |
| 87 | 9005110-5600 | 1 | PLUG, 9/16-18 (METAL) |
| 100 | 50928 | 1 | SEALANT |
| 107 | 70314 | 1 | HUB ASSEMBLY |
| | | 1 | HUB |
| | | 4 | LUG BOLT |
| 108 | 50863 | 1 | NUT, HEX 3/4-16 |
| 110 | 70110 | 1 | FITTING O-RING ASSEMBLY |
| | | 1 | PLASTIC HOSE FITTING |
| | | 1 | O-RING .08 X .468 |
| 111 | 70921 | 1 | CAP-VENT ASSEMBLY |
| | | 1 | CAP-POPPET VALVE |
| | | 1 | ST .5 BARB VENT |
| 120 | 50302 | 1 | PULLEY 4.5 X 1.625 |
| 123 | 51576 | 1 | SCREW, HFHC 1/4-20 X 7/8 (PATCH) |
| 126 | 51316 | 2 | RING, RETAINING |
| 134 | 70553 | 1 | KIT, SEAL |
| | | 1 | SEAL, LIP 15 X 35 X 7 |
| | | 1 | RING, RETAINING 37 INT |
| | | 1 | SEAL, LIP 12 X 25 X7 |
| | | 1 | SEAL, LIP 10 X 25 X 7 |
| | | 1 | RING, RETAINING .31 EXT |
| | | 18 | HFHCS 1/4-20 X .75 |
| | | 1 | SEAL PLUG |
| | | 2 | RING, RETAINING .75 EXT |
| | | 1 | RING, RETAINING .440 EXT |
| | | 1 | SEAL, LIP 25 X 47 X 7 |
| | | 1 | RING, RETAINING 1.56 INT |
| | | 2 | RING, RETAINING 1.87 INT |
| | | 2 | RING, RETAINING 1.43 |
| 136 | 50307 | 1 | FAN, 7", 10 BLADE |

| ITEM # | PART # | QTY | DESCRIPTION |
|--------|--------|-----|------------------------------------|
| 137 | 70243 | 1 | KIT, FAN-PULLEY |
| | | 1 | FAN, 7", 10 BLADE |
| | | 1 | PULLEY 4.5 X 1.625 |
| | | 1 | HEX LOCK NUT 1/2-20 (NYLON INSERT) |
| | | 3 | HHCS 1/4-20 X 1.5 (PATCH) |
| | | 3 | WASHER (LOCK) 1/4 |
| | | 3 | SPACER .26 X .57 X .62 |
| | | 3 | NUT, HEX 1/4-20 |
| 141 | 51575 | 1 | WASHER .34 X .88 X .03 |
| 142 | 51813 | 1 | WASHER .39 X 1.27 X .05 |
| 143 | 51774 | 1 | CAP, BRAKE |
| 144 | 51100 | 1 | MAGNET, RING |
| 150 | 44276 | 3 | HHCS 1/4-20 X 1.5 (PATCH) |
| 151 | 43177 | 3 | WASHER (LOCK) 1/4 |
| 152 | 50259 | 3 | SPACER .26 X .57 X .62 |
| 153 | 43178 | 3 | NUT, HEX 1/4-20 |
| 210 | 51401 | 1 | HOSE Ø.50 X 4.00 |
| 217 | 71004 | 1 | KIT, BREATHER ASSEMBLY |
| | | 1 | FITTING, O-RING ASSEMBLY |
| | | 1 | CAP VENT ASSEMBLY |
| | | 1 | HOSE, Ø.50 X 4.00 |
| | | 1 | PINCH CLAMP, SINGLE EAR, 13/16 |
| | | 1 | PINCH CLAMP, SINGLE EAR, 13/16 |
| 218 | 50590 | 1 | |