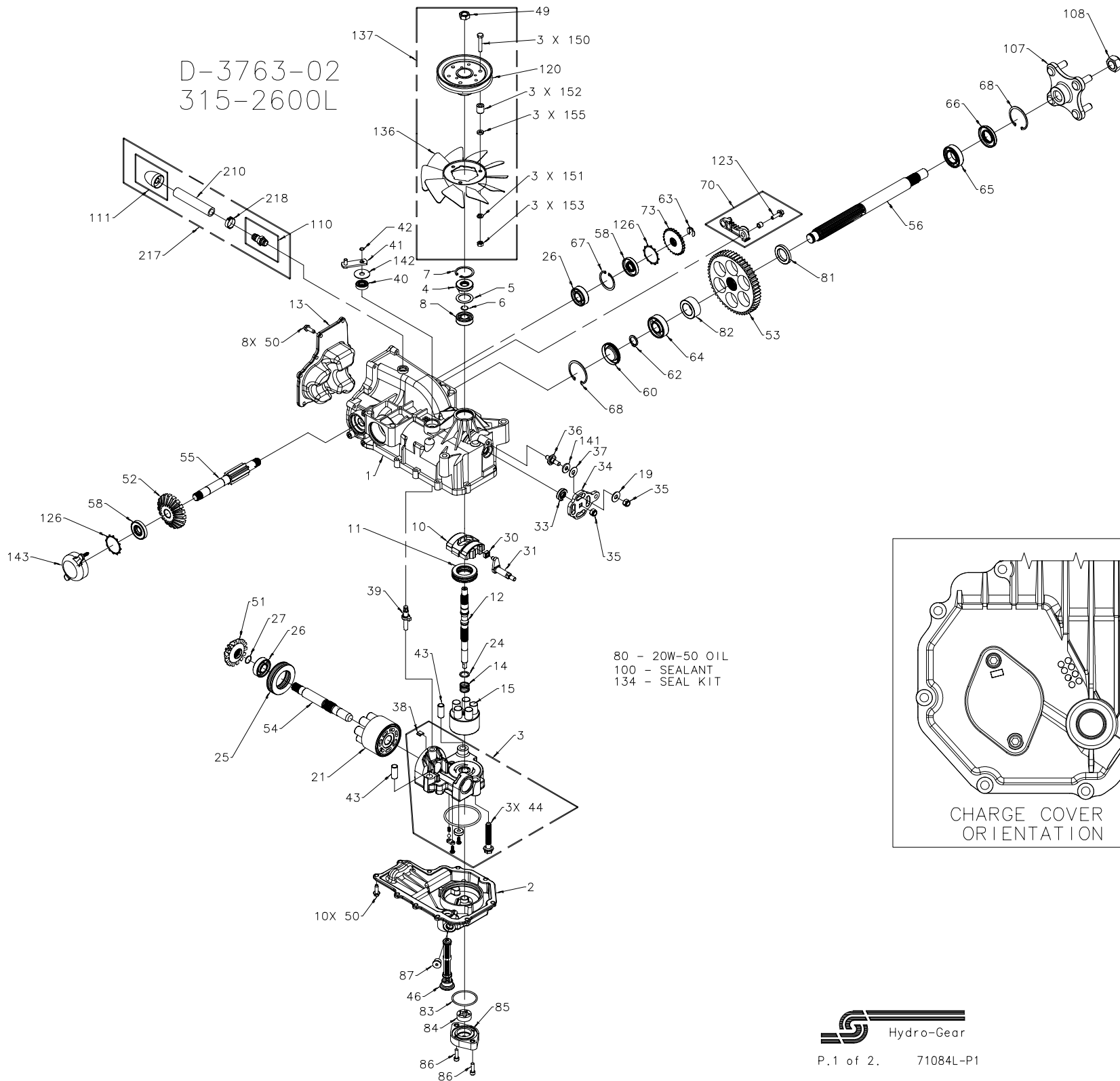
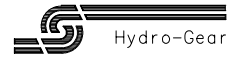
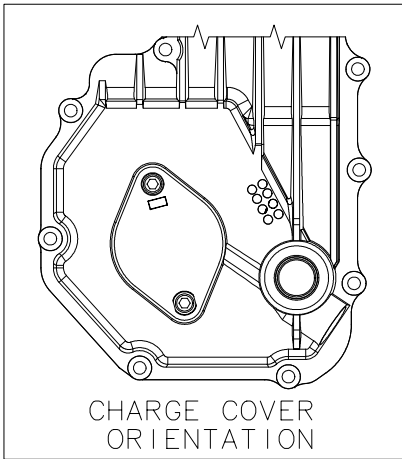


D-3763-02  
315-2600L



80 - 20W-50 OIL  
100 - SEALANT  
134 - SEAL KIT



D-3763-02  
315-2600L

| ITEM # | PART #       | QTY | DESCRIPTION                        |
|--------|--------------|-----|------------------------------------|
| 1      | 70652        | 1   | KIT, HOUSING-MAIN                  |
|        |              | 1   | HOUSING, MAIN                      |
|        |              | 2   | BEARING, CRADLE                    |
|        |              | 1   | BUSHING, TRUNNION                  |
|        |              | 1   | SHAFT, BRAKE                       |
|        |              | 1   | SEAL, LIP 12 X 25 X 7              |
|        |              | 1   | SCREW, HFHC 1/4-28 X 7/8 (PATCH)   |
|        |              | 1   | WASHER, .34 X .88 X .03            |
| 2      | 51866        | 1   | HOUSING, LOWER                     |
| 3      | 70903        | 1   | KIT, CENTER SECTION                |
|        |              | 1   | CENTER SECTION                     |
|        |              | 1   | BUSHING .673 X 1.03 X .75          |
|        |              | 1   | PLATE, BYPASS                      |
|        |              | 3   | HFHCS, 3/8-24 X 2.5 (PATCH)        |
|        |              | 2   | ASSEMBLY, SHOCK VALVE .027         |
|        |              | 1   | SPRING, CHARGE RELIEF              |
|        |              | 1   | BALL, 1/4                          |
|        |              | 1   | O-RING, .139 X 2.984 X 7           |
|        |              | 1   | PLATE, RELIEF                      |
|        |              | 2   | BOLT, SELF-TAPPING 10-32 X .5      |
|        |              | 1   | MAGNET, RING                       |
| 4      | 9008000-0128 | 1   | LIP SEAL                           |
| 5      | 2003018      | 1   | SPACER                             |
| 6      | 2003016      | 1   | WIRE RETAINING RING                |
| 7      | 2003052      | 1   | RETAINING RING                     |
| 8      | 2003043      | 1   | BALL BEARING                       |
| 10     | 2003087      | 1   | VARIABLE SWASHPLATE                |
| 11     | 50551        | 1   | THRUST BEARING 30 X 52 X 13        |
| 12     | 51771        | 1   | SHAFT, INPUT                       |
| 13     | 50891RM      | 1   | COVER-BACK                         |
| 14     | 2003014      | 1   | SPRING, BLOCK                      |
| 15     | 70331        | 1   | 10cc CYLINDER BLOCK ASS'Y          |
|        |              | 1   | 10cc CYLINDER BLOCK                |
|        |              | 5   | 10cc PISTON SPRING                 |
|        |              | 5   | PISTON SEAT WASHER                 |
|        |              | 5   | 10cc PISTON                        |
| 19     | 44130        | 1   | WASHER                             |
| 21     | 70082        | 1   | 21cc CYLINDER BLOCK ASS'Y          |
|        |              | 1   | 21cc CYLINDER BLOCK                |
|        |              | 7   | 21cc PISTON SPRING                 |
|        |              | 7   | PISTON SEAT WASHER                 |
|        |              | 7   | 21cc PISTON                        |
| 24     | 2003017      | 1   | WASHER, BLOCK THRUST               |
| 25     | 50552        | 1   | THRUST BEARING 42 X 68 X 16        |
| 26     | 50315        | 2   | BALL BEARING                       |
| 27     | 2000022      | 1   | WIRE RETAINING RING                |
| 30     | 2000015      | 1   | SLOT GUIDE                         |
| 31     | 50807        | 1   | TRUNNION ARM                       |
| 33     | 9008000-0126 | 1   | LIP SEAL                           |
| 34     | 50749        | 1   | CONTROL ARM                        |
| 35     | 50317        | 2   | NUT                                |
| 36     | 50426        | 1   | STUD - SHORT 5/16-24               |
| 37     | 50281        | 1   | FRICTION PUCK                      |
| 38     | 70680        | 1   | KIT, BYPASS PLATE                  |
| 39     | 2003555      | 1   | BYPASS ACTUATOR                    |
| 40     | 45074        | 1   | LIP SEAL                           |
| 41     | 50270        | 1   | BYPASS ARM                         |
| 42     | 44870        | 1   | RETAINING RING                     |
| 43     | 50002        | 2   | PIN                                |
| 44     | 50016        | 3   | SCREW                              |
| 46     | 51931        | 1   | ASSEMBLY, FILTER                   |
| 49     | 44133        | 1   | HEX LOCK NUT 1/2-20 (NYLON INSERT) |
| 50     | 50752        | 18  | SCREW, 1/4-20 X .75 LONG           |
| 51     | 50744        | 1   | 14T BEVEL GEAR                     |
| 52     | 50745        | 1   | 19T BEVEL GEAR                     |

| ITEM # | PART #       | QTY  | DESCRIPTION                        |
|--------|--------------|------|------------------------------------|
| 53     | 50746        | 1    | 53T SPUR GEAR                      |
| 54     | 50757        | 1    | MOTOR SHAFT                        |
| 55     | 51298        | 1    | BRAKE SHAFT                        |
| 56     | 50748        | 1    | AXLE SHAFT                         |
| 58     | 51161        | 2    | SEAL, LIP 17 X 40 X 7              |
| 60     | 50995        | 1    | SEAL PLUG - SIDE                   |
| 62     | 50759        | 1    | RETAINING RING - AXLE              |
| 63     | 51109        | 1    | RETAINING RING                     |
| 64     | 50743        | 1    | BEARING-BALL 20X47X14(6204)        |
| 65     | 50740        | 1    | BEARING-BALL 25X47X12(6005)        |
| 66     | 50751        | 1    | SEAL                               |
| 67     | 50329        | 1    | RETAINING RING                     |
| 68     | 50760        | 2    | RETAINING RING-AXLE                |
| 70     | 71088        | 1    | RH, BRAKE ARM SERVICE ASSEMBLY     |
|        |              | 1    | BRAKE ARM                          |
|        |              | 1    | CLEVIS PIN                         |
|        |              | 1    | BUSHING .255 X .394 X .330         |
|        |              | 1    | SCREW, HFHC 1/4-28                 |
| 73     | 50754        | 1    | 79oz BRAKE DISC                    |
| 80     |              | 79oz | 20W-50 OIL                         |
| 81     | 51939        | 1    | SPACER 1.04 X 1.65 X .22           |
| 82     | 51940        | 1    | SPACER 1.01 X 1.65 X .70           |
| 83     | 9004101-1340 | 1    | O-RING .103 X 1.862                |
| 84     | 50273        | 1    | ASSEMBLY, GEROTOR                  |
| 85     | 50260        | 1    | COVER GEROTOR                      |
| 86     | 50095        | 2    | SHCS M6 X 20                       |
| 87     | 9005110-5600 | 1    | PLUG, 9/16-18 (METAL)              |
| 100    | 50928        | 1    | SEALANT                            |
| 107    | 70314        | 1    | HUB ASSEMBLY                       |
|        |              | 1    | HUB                                |
|        |              | 4    | LUG BOLT                           |
| 108    | 50863        | 1    | NUT, HEX 3/4-16                    |
| 110    | 70110        | 1    | FITTING O-RING ASSEMBLY            |
|        |              | 1    | PLASTIC HOSE FITTING               |
|        |              | 1    | O-RING .08 X .468                  |
| 111    | 70921        | 1    | CAP-VENT ASSEMBLY                  |
|        |              | 1    | CAP-POPPET VALVE                   |
|        |              | 1    | ST .5 BARB VENT                    |
| 120    | 50302        | 1    | PULLEY, 4.5                        |
| 123    | 51576        | 1    | SCREW, HFHC 1/4-28                 |
| 126    | 51316        | 2    | RING, RETAINING                    |
| 134    | 70553        | 1    | KIT, SEAL                          |
|        |              | 1    | SEAL, LIP 15 X 35 X 7              |
|        |              | 1    | RING, RETAINING 37 INT             |
|        |              | 1    | SEAL, LIP 12 X 25 X7               |
|        |              | 1    | SEAL, LIP 10 X 25 X 7              |
|        |              | 1    | RING, RETAINING .31 EXT            |
|        |              | 18   | HFHCS 1/4-20 X .75                 |
|        |              | 1    | SEAL PLUG                          |
|        |              | 2    | RING, RETAINING .75 EXT            |
|        |              | 1    | RING, RETAINING .440 EXT           |
|        |              | 1    | SEAL, LIP 25 X 47 X 7              |
|        |              | 1    | RING, RETAINING 1.56 INT           |
|        |              | 2    | RING, RETAINING 1.87 INT           |
|        |              | 2    | RING, RETAINING 1.43               |
| 136    | 50307        | 1    | FAN, 7", 10 BLADE                  |
| 137    | 71076        | 1    | KIT, FAN-PULLEY                    |
|        |              | 3    | WASHER, .28 X .50 X .125           |
|        |              | 1    | FAN, 7", 10 BLADE                  |
|        |              | 1    | HEX LOCK NUT 1/2-20 (NYLON INSERT) |
|        |              | 1    | PULLEY, 4.5                        |
|        |              | 3    | BOLT, 1/4-20 X 1-1/2               |
|        |              | 3    | LOCK WASHER, 1/4" REGULAR          |
|        |              | 3    | SPACER                             |
|        |              | 3    | NUT, 1/4-20                        |

| ITEM # | PART # | QTY | DESCRIPTION                    |
|--------|--------|-----|--------------------------------|
| 141    | 51575  | 1   | WASHER .34 X .88 X .03         |
| 142    | 51813  | 1   | WASHER, .392 X 1.25            |
| 143    | 51774  | 1   | CAP, BRAKE                     |
| 150    | 44276  | 3   | BOLT, 1/4-20 X 1-1/2           |
| 151    | 43177  | 3   | WASHER, LOCK, 1/4" REGULAR     |
| 152    | 50259  | 3   | SPACER                         |
| 153    | 43178  | 3   | NUT, 1/4-20                    |
| 155    | 51909  | 3   | WASHER, .28 X .50 X .125       |
| 210    | 51401  | 1   | HOSE Ø.50 X 4.00               |
| 217    | 71004  | 1   | KIT, BREATHER ASSEMBLY         |
|        |        | 1   | VENT CAP ASSEMBLY              |
|        |        | 1   | FITTING, O-RING ASSEMBLY       |
|        |        | 1   | PINCH CLAMP, SINGLE EAR, 13/16 |
|        |        | 1   | HOSE, Ø.50 X 4.00              |
| 218    | 50590  | 1   | PINCH CLAMP, SINGLE EAR, 13/16 |

