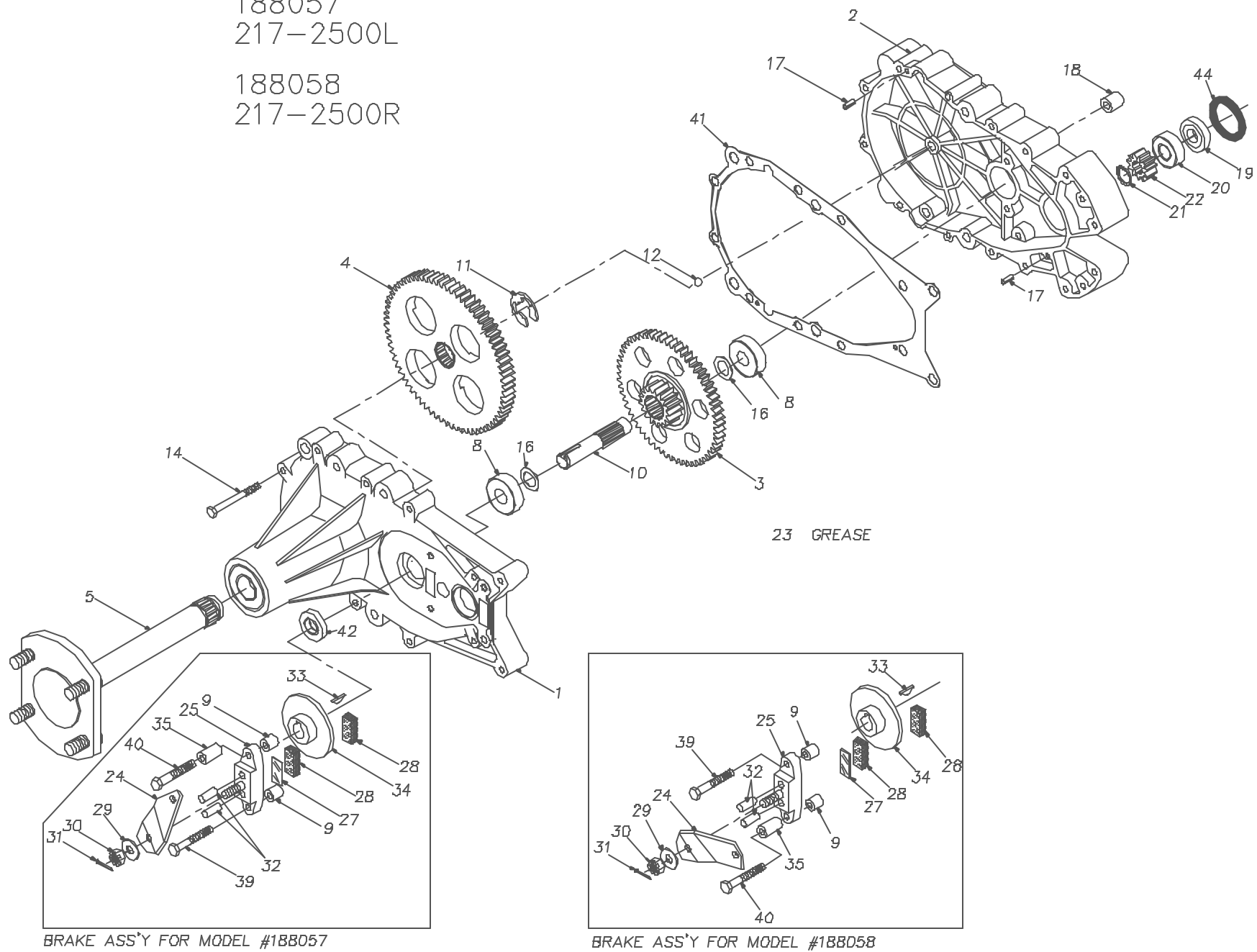


188057  
217-2500L

188058  
217-2500R



Hydro-Gear  
P.1 of 2. 70064-S11

188057  
217-2500L

188058  
217-2500R

REF	PART NO.	QTY	DESCRIPTION	REF	PART NO.	QTY	DESCRIPTION
1	70272	1	ASS'Y, AXLE CARRIER HOUSING	27	44134	1	PLATE, PUCK
		1	AXLE CARRIER HOUSING	28	44132	2	PUCK, BRAKE
		1	BALL BEARING, 52MM X 25MM X 15MM	29	44130	1	WASHER, 7/16 X 7/8 OD X 0.06 HT
		1	FLANGE BEARING	30	44142	1	NUT, CASTLE 5/16-24 PL
		1	OIL SEAL, 1.25 OD X .625 ID	31	44101	1	PIN, COTTER
		1	OIL SEAL, 52MM X 25MM	32	44127	2	PIN, BRAKE ACTUATING
2	50856	1	HYDRO MOUNT HOUSING	33	44143	1	KEY, HI PRO 3/16 X 5/8
3	44352	1	SPLINED REDUCTION GEAR	34	44090	1	DISC, BRAKE
4	44358	1	SPLINED 72 TOOTH FINAL DRIVE GEAR	35	23711	1	SPACER, TORSION SPRING
5	62681	1	ASS'Y, AXLE	39	44276	1	BOLT, 1/4-20 X 1-1/2 W/PATCH
		1	AXLE SHAFT	40	44612	1	BOLT, 1/4-20 X 2-1/2"
		4	LUG BOLT	41	50223	1	GASKET, HSG
8	50625	2	BALL BEARING .625ID X 1.57 X .47	42	50263	1	OIL SEAL, 1.25 X .625
9	23770	2	BRAKE SPACER	44	50267	1	O-RING
10	44351	1	BRAKE SHAFT (SPLINED)				
11	44359	1	E-RING				
12	9001214-3700	1	BALL, 3/8" DIAMETER				
14	44366	10	BOLT, 1/4-20 X 2-1/2"				
16	50629	2	WASHER, 5/8ID X 1.0 OD X .01 THK				
17	44269	2	PIN, SPRING 3/16" X 1/2" LONG				
18	23749	3	MOUNTING SPACER				
19	44355	1	BEARING SPACER				
20	44232	1	BALL BEARING 15 MM X 35 MM X 11 MM				
21	44354	1	RETAINING RING				
22	44353	1	11 TOOTH INPUT GEAR				
23	50416	2	GREASE(10 OZ TUBE)				
24	44094	1	ARM, BRAKE ACTUATOR (LH ASSY)				
-	44613	1	ARM, BRAKE ACTUATOR (RH ASSY)				
25	62589	1	ASS'Y, BRAKE YOKE				
		1	BRAKE YOKE				
		1	SQUARE HEAD BOLT				

Hydro-Gear  
P.2 of 2. 70064-S11