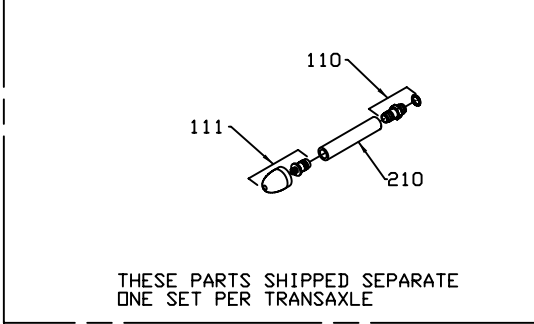
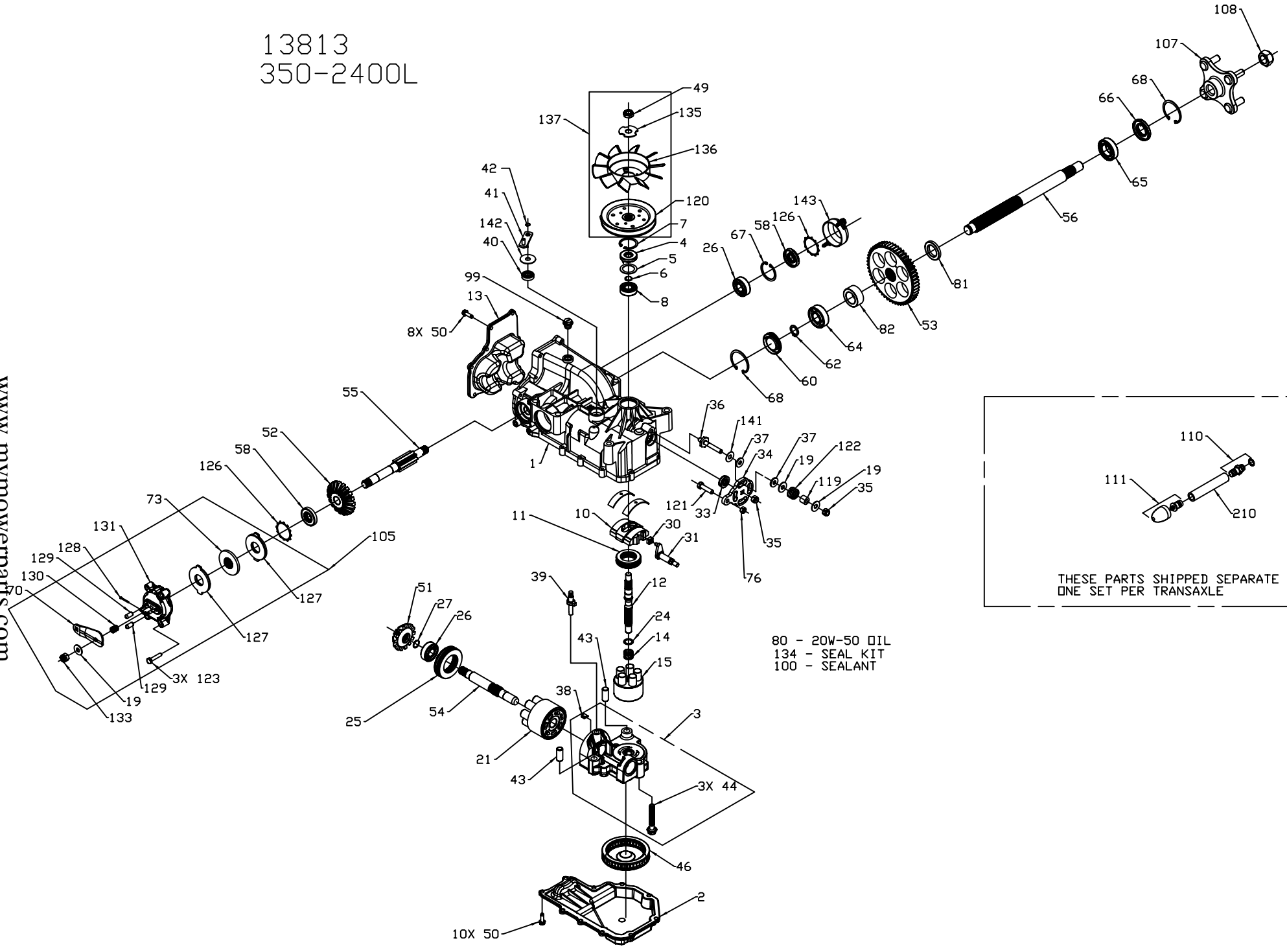


13813  
350-2400L

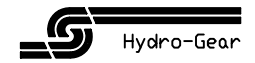
www.mymowerparts.com



THESE PARTS SHIPPED SEPARATE  
ONE SET PER TRANSAXLE

80 - 20W-50 OIL  
134 - SEAL KIT  
100 - SEALANT

For Hydro-Gear Parts Call K&T 606-678-9623 or 606-561-4983



13813  
350-2400L

ITEM #	PART #	QTY	DESCRIPTION
1	70652	1	KIT, HOUSING-MAIN
		1	HOUSING, MAIN
		2	CRADLE BEARING
		1	SEAL, LIP 12 X 25 X 7
		1	TRUNNION BUSHING
		1	SHAFT, BRAKE
		1	SCREW, FHCS 1/4-28 X 7/8 (PATCH)
		1	WASHER .34 X .88 X .03
2	50890RM	1	LOWER HOUSING
3	70679	1	KIT, CENTER SECTION
		1	CNTER SECTION
		1	BUSHING .67 X 1.03 X .75
		1	PLATE, BYPASS
		3	SCREW 3/8-24 X 2.5
		2	CHECK PLUG ASSEMBLY, .044
		1	LIP SEAL
4	9008000-0128	1	SPACER
5	2003018	1	WIRE RETAINING RING
6	2003016	1	RETAINING RING
7	2003052	1	BALL BEARING
8	2003043	1	VARIABLE SWASHPLATE
10	2003087	1	THRUST BEARING 30 X 52 X 13
11	50551	1	INPUT SHAFT
12	50005	1	COVER-BACK
13	50891RM	1	SPRING, BLOCK
14	2003014	1	10cc CYLINDER BLOCK ASS'Y
15	70331	1	10cc CYLINDER BLOCK
		5	10cc PISTON SPRING
		5	PISTON SEAT WASHER
		5	10cc PISTON
19	44130	3	WASHER
21	70082	1	21cc CYLINDER BLOCK ASS'Y
		1	21cc CYLINDER BLOCK
		7	21cc PISTON SPRING
		7	PISTON SEAT WASHER
		7	21cc PISTON
24	2003017	1	WASHER, BLOCK THRUST
25	50552	1	THRUST BEARING 42 X 68 X 16
26	50315	2	BALL BEARING
27	2000022	1	WIRE RETAINING RING
30	2000015	1	SLOT GUIDE
31	50807	1	TRUNNION ARM
33	9008000-0126	1	LIP SEAL
34	50749	1	CONTRD ARM
35	50317	2	NUT
36	50284	1	STUD - LONG 5/16-24
37	50281	2	FRICTION PUCK
38	70680	1	KIT, BYPASS PLATE
39	2003555	1	BYPASS ACTUATOR
40	45074	1	LIP SEAL
41	50126	1	BYPASS ARM
42	44870	1	RETAINING RING
43	50002	2	PIN
44	50016	3	SCREW
46	50990	1	FILTER
49	51244	1	HEX LOCK NUT 1/2-20 (NYLON INSERT)
50	50752	18	SCREW, 1/4-20 X .75 LONG
51	50744	1	14T BEVEL GEAR
52	50745	1	19T BEVEL GEAR
53	50746	1	53T SPUR GEAR
54	50757	1	MOTOR SHAFT
55	51335	1	BRAKE SHAFT
56	50748	1	AXLE SHAFT
58	51161	2	SEAL, LIP 17 X 40 X 7
60	50995	1	SEAL PLUG - SIDE
62	50759	1	RETAINING RING - AXLE

ITEM #	PART #	QTY	DESCRIPTION
64	50743	1	BEARING-BALL 20X47X14(6204)
65	50740	1	BEARING-BALL 25X47X12(6005)
66	50751	1	SEAL
67	50329	1	RETAINING RING
68	50760	2	RETAINING RING-AXLE
70	51349	1	ARM, BRAKE
73	44855	1	ROTOR, BRAKE
76	43083	1	HEX NUT 5/16-18
80		79oz	20W-50 OIL
81	51939	1	WASHER, AXLE 1.04 X 1.65 X .22
82	51940	1	WASHER, AXLE 1.04 X 1.65 X .70
99	9005200-5600	1	PLUG-PLASTIC
100	50928	1	SEALANT
105	70561	1	KIT, BRAKE
		1	WASHER
		1	ARM, BRAKE
		1	ROTOR, BRAKE
		3	SCREW, 1/4-28 X 1.38 W/PATCH
		2	STATOR, BRAKE FRICTION
		1	COTTER PIN 3/32 X 3/4
		2	BRAKE ACTUATING PIN
		1	COMPRESSION SPRING ANTI DRAG
		1	KIT, YOKE-BRAKE
		1	SLOTTED HEX NUT 5/16-24
107	70314	1	HUB ASSEMBLY
		1	HUB
		4	LUG BOLT
108	50863	1	NUT, HEX 3/4-16
110	70110	1	FITTING O-RING ASSEMBLY
		1	PLASTIC HOSE FITTING
		1	O-RING
111	70921	1	CAP VENT ASSEMBLY
		1	CAP-POPPET VALVE
		1	PLASTIC VENT
119	50278	1	SPACER
120	51182	1	PULLEY, 4.5
121	51047	1	BOLT 5/16-18X1-1/4
122	50277	1	HELICAL COMP. SPRING
123	51341	3	SCREW, 1/4-28 X 1.25 W/PATCH
126	51316	2	RING, RETAINING
127	51340	2	STATOR, BRAKE FRICTION
128	44101	1	COTTER PIN 3/32 X 3/4
129	44127	2	BRAKE ACTUATING PIN
130	50919	1	COMPRESSION SPRING BRAKE ANTI DRAG
131	70560	1	KIT, YOKE-BRAKE
		1	SQ HD BOLT 5/16-24 RIBBED
		1	YOKE, BRAKE
133	44142	1	SLOTTED HEX NUT 5/16-24
134	70553	1	KIT, SEAL
		1	SEAL, LIP 15 X 35 X 7
		1	RING, RETAINING
		1	SEAL, LIP 12 X 25 X 7
		1	SEAL, LIP 10 X 25 X 7
		1	RING, RETAINING
		18	FHCS 1/4-20 X .75 ZINC
		1	SEAL PLUG (1.86)
		1	RING, RETAINING
		1	RING, RETAINING .440 EXTERNAL
		1	SEAL, LIP 25 X 47 X 7
		1	RING, RETAINING
		2	RING, RETAINING
		2	RING, RETAINING
135	51523	1	WASHER, DD SLOTTED, .53 X 1.63 X .06
136	51362	1	FAN, 6", 10 BLADE
137	70583	1	KIT, FAN-PULLEY
		1	WASHER, DD SLOTTED, .53 X 1.63 X .06
		1	FAN, 6", 10 BLADE
		1	HEX LOCK NUT 1/2-20 (NYLON INSERT)
		1	PULLEY, 4.5
141	51575	1	WASHER .34 X .88 X .03
142	51813	1	WASHER .39 X 1.27 X .05
143	51774	1	BRAKE COVER, PLASTIC
210	51401	1	HOSE, Ø 50 X 4.00

