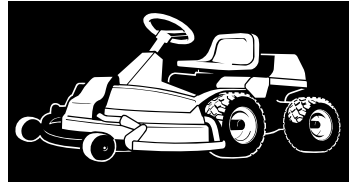


For Husqvarna Parts Call 606-678-9623 or 606-561-4983



Assembly & Set-Up Instructions

**Rider 15 Pro
Rider 16 H**

 **Husqvarna**

HARDWARE LIST

QTY.	DESCRIPTION	PART NO.	NOTE
1	Draw Ring (Hitch)	506 88 99-01	
2	Bolt (Hitch)	725 24 93-71	
2	Nuts & Bolts (battery terminal)		Pre-packed in plastic bag.
1	Pack of Filler Plugs (battery)		Pre-packed in plastic bag (6 per/bag).
1	Warranty Card		
1	Owners Manual		
2	Key	506 50 46-01	Rear wheels.
2	Retaining ring	735 31 21-00	For hydrostatic.
2	Spacer	506 59 62-02	L= 18 mm (.7 inches) for hydrostatic
2	Washer	506 50 48-03	
2	Washer	506 50 48-01	
2	Retaining ring	735 31 22-00	Front wheels.
2	Washer	506 50 48-05	Front wheels.
2	Hub cap	506 92 30-01	Rear wheels.
2	Hub cap	506 95 58-01	Front wheels.
2	Ignition Key	506 91 74-01	

SERVICE JOURNAL

Pre-delivery setup

Work done	Date / Signature
<p>1. Top up battery with acid and recharge for four hours.</p> <p>2. Fit steering wheel, seat and any optional equipment.</p> <p>3. Fit cutting unit.</p> <p>4. Adjust cutting unit:</p> <p style="padding-left: 20px;">Adjust lift springs. Effective weight of cutting unit should be 12–15 kg (26-33 lbs).</p> <p style="padding-left: 20px;">Adjust cutting unit so that rear edge is about 2–4 mm (.08 - .16 in) higher than front edge.</p> <p style="padding-left: 20px;">Adjust cutting unit height setting so that cutting height limit is 5 mm (.2 in) above the frame of the unit at the lowest cutting height.</p> <p>5. Check that engine has correct amount of oil.</p> <p>6. Check and adjust tire pressure to 60 kPa (9 PSI).</p> <p>7. Connect battery.</p> <p>8. Fill with fuel and start engine.</p> <p>9. Check that machine does not move in neutral.</p> <p>10. Check:</p> <p style="padding-left: 20px;">Forward drive.</p> <p style="padding-left: 20px;">Reverse drive.</p> <p style="padding-left: 20px;">Operation of blades.</p> <p style="padding-left: 20px;">Seat safety switch.</p> <p style="padding-left: 20px;">Lift lever safety switch.</p> <p style="padding-left: 20px;">Parking brake safety switch.</p> <p>11. Check engine revs 3,000–3,100 rpm.</p> <p>12. Tell customer about:</p> <p style="padding-left: 20px;">Need and benefits of following the service schedule.</p> <p style="padding-left: 20px;">Need and benefits of having machine serviced every 300 hours.</p> <p style="padding-left: 20px;">Servicing and the influence of this journal on the second-hand value of the machine.</p> <p style="padding-left: 20px;">Range of applications for BioClip.</p> <p>13. Complete proof of sale, etc.</p>	<p style="text-align: center;"><input type="checkbox"/></p> <p style="text-align: center;"><input type="checkbox"/></p> <p style="text-align: center;"><input type="checkbox"/></p> <p style="text-align: center;"><input type="checkbox"/></p> <p style="text-align: center;"><input type="checkbox"/></p> <p style="text-align: center;"><input type="checkbox"/></p> <p style="text-align: center;"><input type="checkbox"/></p> <p style="text-align: center;"><input type="checkbox"/></p> <p style="text-align: center;"><input type="checkbox"/></p> <p style="text-align: center;"><input type="checkbox"/></p> <p style="text-align: center;"><input type="checkbox"/></p> <p style="text-align: center;"><input type="checkbox"/></p> <p style="text-align: center;"><input type="checkbox"/></p> <p style="text-align: center;"><input type="checkbox"/></p> <p style="text-align: center;"><input type="checkbox"/></p> <p style="text-align: center;"><input type="checkbox"/></p> <p style="text-align: center;"><input type="checkbox"/></p> <p style="text-align: center;"><input type="checkbox"/></p> <p style="text-align: center;"><input type="checkbox"/></p> <p style="text-align: center;"><input type="checkbox"/></p> <p style="text-align: center;"><input type="checkbox"/></p>
	<p>Pre-delivery service carried out.</p> <p>No outstanding problems.</p> <p>Certified:</p>

MAINTENANCE



WARNING!

The battery acid is highly corrosive. Use rubber gloves and protective glasses.
Avoid breathing in the acid fumes.

Measures for contact with acid

External: Rinse thoroughly with water.

Internal: Drink large quantities of water or milk. Contact a doctor as soon as possible.

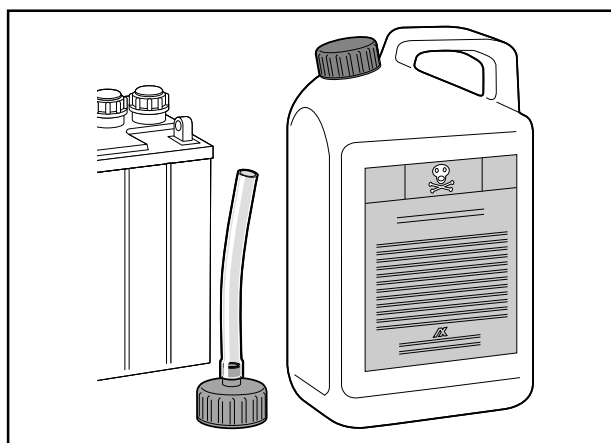
Eyes: Rinse thoroughly with water. Contact a doctor as soon as possible.

The battery gives off explosive gas. Sparks, flames, and cigarettes must absolutely not be in the near vicinity of the battery.

Filling battery acid

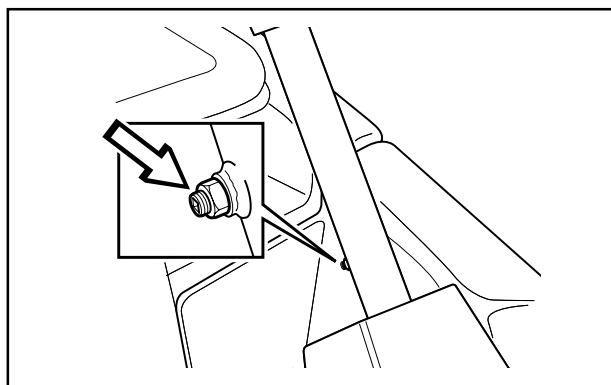
The battery is delivered dry from the factory.

- Slowly fill the battery acid (not included) up to the mark on the battery.
- Wait 20 minutes and fill, as is required, with more battery acid.
- Charge the battery (12V, 6A) for one hour.
- Check the level of acid and fill, as is required, with distilled water up to the correct level.



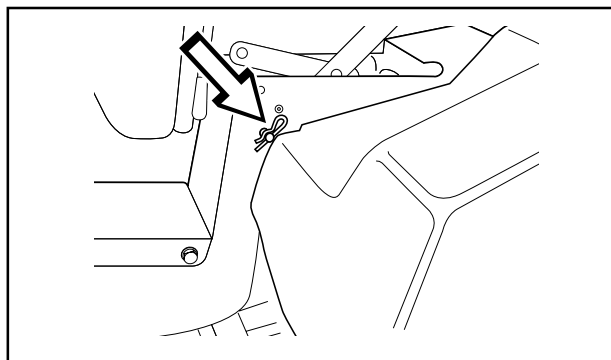
Fastening steering wheel

- Fasten the steering wheel with steering column on the steering shaft.
- Tighten the socket head cap screw, make sure that it sits in its groove on the steering shaft.
- Securely lock the socket head cap screw with the locking nut.



Fastening seat

Insert the seat pin through the hole in the frame and seat attachment and fasten spring pin.



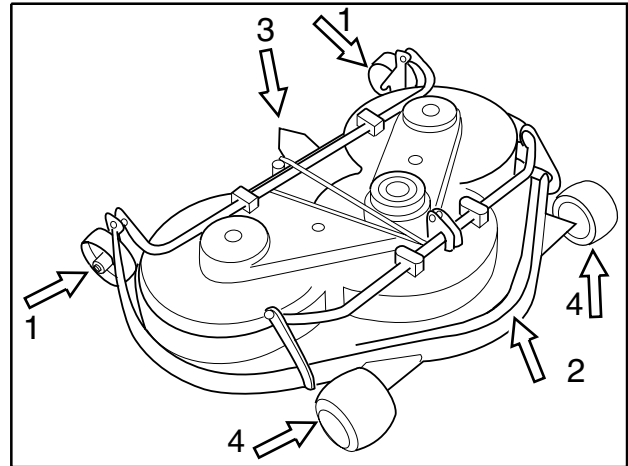
Fitting the cutting unit

1. Position the Rider on a flat surface and apply the parking brake. Check that the lever for adjusting the cutting height is at the lowest setting.

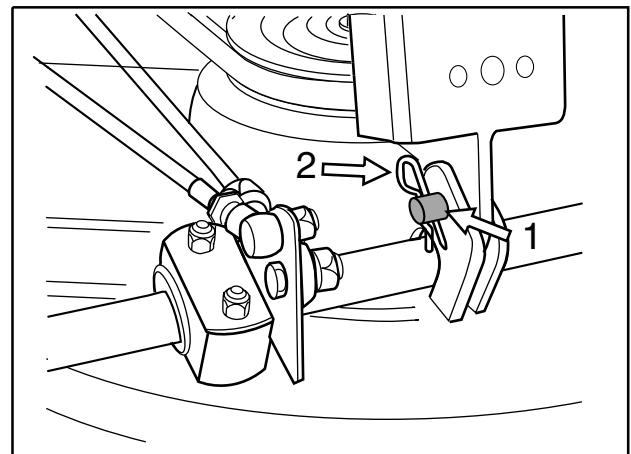
Make sure the two rear support wheels are fitted to the cutting unit (1).

***NOTE: Be sure to remove these two rear support wheels (1) before operating unit.** These wheels are to be stored and only installed when servicing the mower deck. These wheels allow you to "Flip Up" the cutting deck for easy service access.

(The two front mounted deck wheels (4) are **permanently** mounted to the deck frame and function as gauge wheels)



2. Hold the frame of the cutting unit (2) and slide the unit underneath the rider mower, making sure that the tongue on the cutting unit (3) engages correctly.



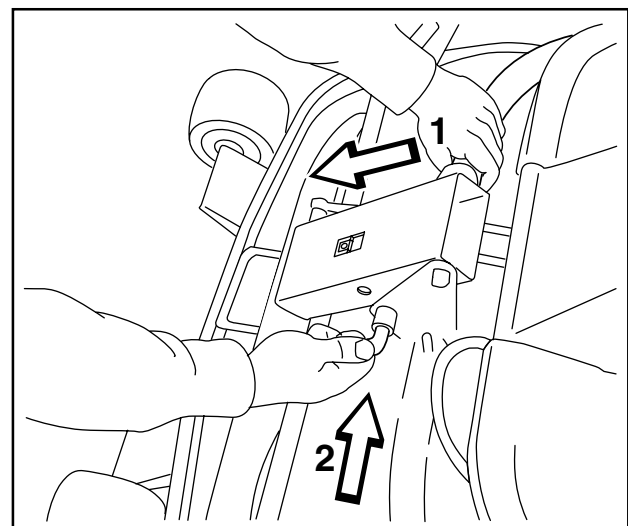
3. Insert the bolt (1) and secure it with a locking pin (2).

4. Press down the frame (1) and insert the pin (2). Fit the drive belt around the drive wheels of the cutting unit.

5. Hook up the height adjustment strut.

6. Fit the front cover.

7. Fit the spring that tensions the belt tensioning pulley.



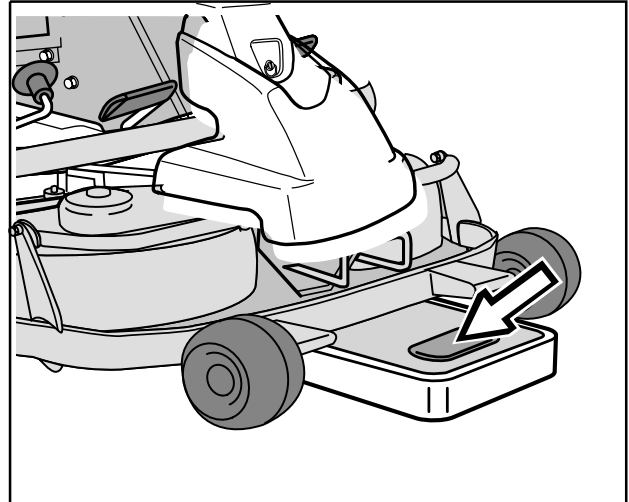
MAINTENANCE

Checking and adjustment of the cutting unit's ground pressure

To achieve the best cutting results the cutting unit should follow the underlying surface without pressing too hard against it.

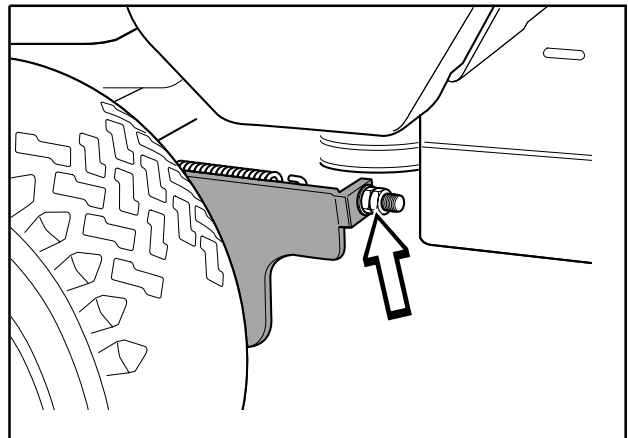
The pressure is adjusted with a screw on each side of the machine.

1. Place a set of bathroom scales under the cutting unit's frame (front edge) so that it rests on the scales. If necessary a block can be placed between the frame and scales so that the support wheels do not bear any weight.



2. Adjust the unit's ground pressure by screwing in or out the adjusting screws located behind the front wheels on both sides.

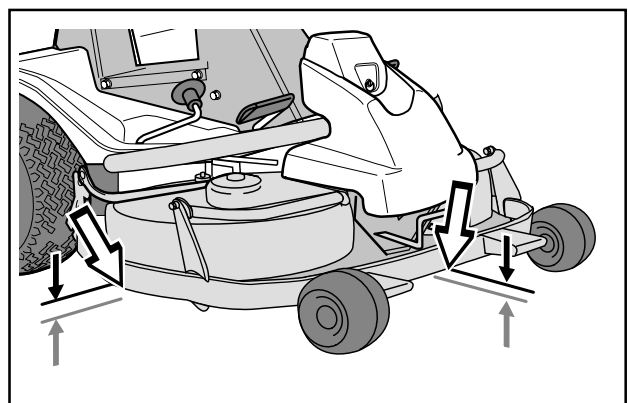
The ground pressure should be between 12 and 15 kg (26-33 lbs).



Checking the cutting unit's rake angle (pitch)

Check the pitch of the cutting unit as follows:

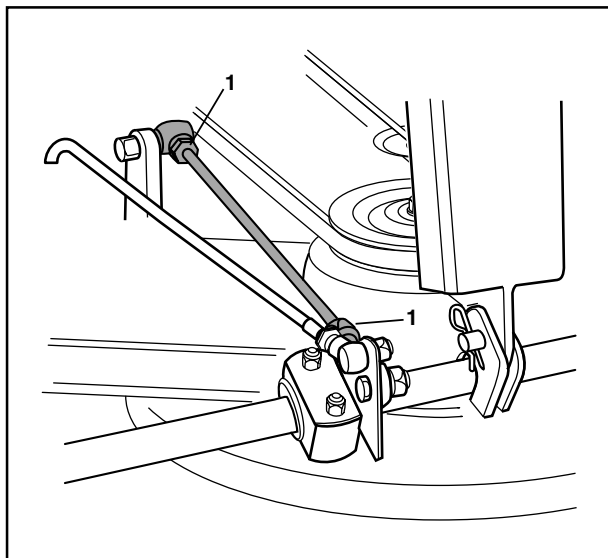
1. Place the machine on a level surface.
2. Measure the distance between the ground and the front and rear edges of the cutting unit hood. The cutting unit should slope forwards slightly so that the rear edge is 2-4 mm (.08 -.16 in) higher than the front edge.



MAINTENANCE

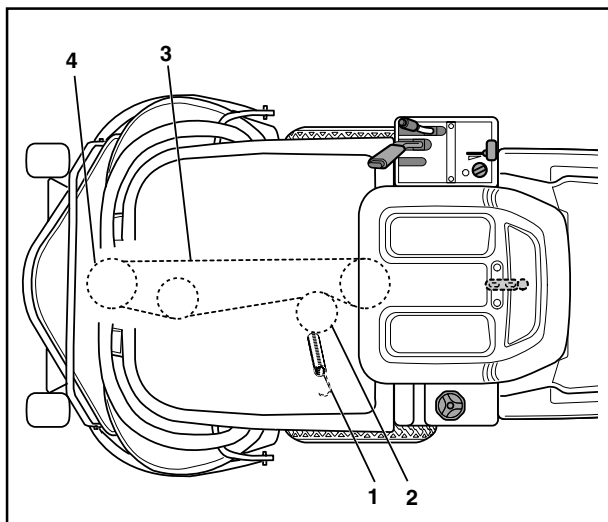
Adjusting the rake angle (pitch) of the cutting unit

1. Remove the front hood and right-hand fender.
2. Undo the nuts on the lift strut (1).
3. Unscrew the strut (counterclockwise) to lower the rear edge of the hood.
Screw the strut in (clockwise) to raise the rear edge of the hood.
4. Tighten the nuts after adjustment.
5. On completion of the adjustment, the unit's rake angle (pitch) should be re-checked.
6. Fit the right-hand fender and the front hood.



Removing the cutting unit

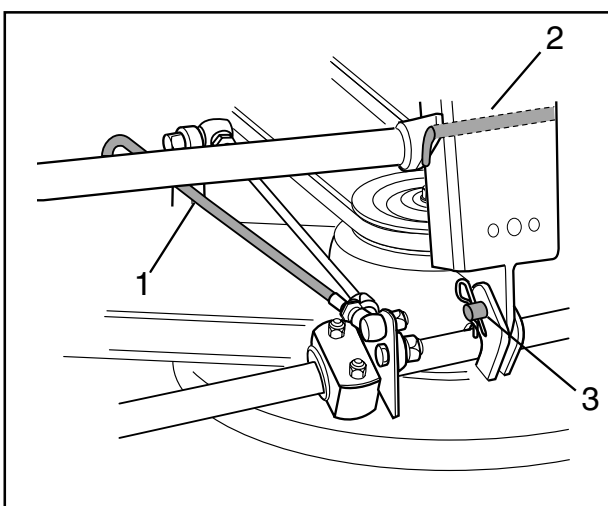
1. Apply the parking brake.
2. Adjust the cutting height to its lowest setting.
3. Remove the front hood.
4. Fit the two service support wheels.
5. Relieve the tensioning wheel (2) by disconnecting the spring (1).
6. Lift the drive belt (3) off the cutting unit drive pulley (4).



7. Pull out the pin (2) and hang the drive belt on the pin.
8. Put your foot on the front edge of the cutting unit. Raise the front edge of the cutting unit slightly and unhook the lift strut (1).
9. Remove the bolt (3) and pull out the cutting unit.

Fitting of the cutting unit takes place in the reverse order to removal.

During fitting: make sure that the tongue on the cutting unit engages in the correct position.



WARNING!

Wear protective glasses when dismantling the cutting unit. The spring which tensions up the belt can go off and cause personal injury.

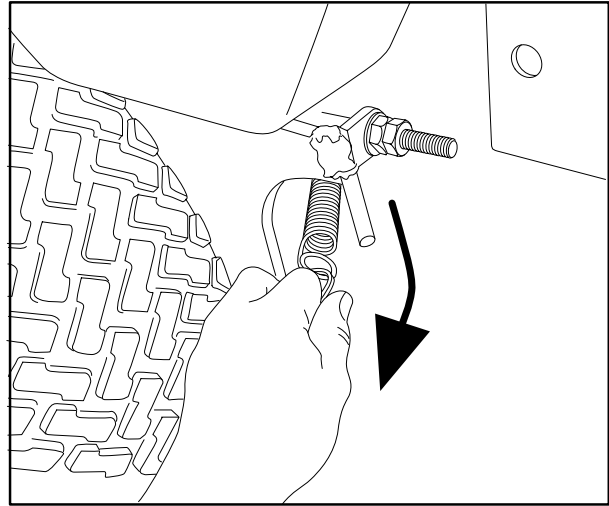
MAINTENANCE

Service position for cutting unit

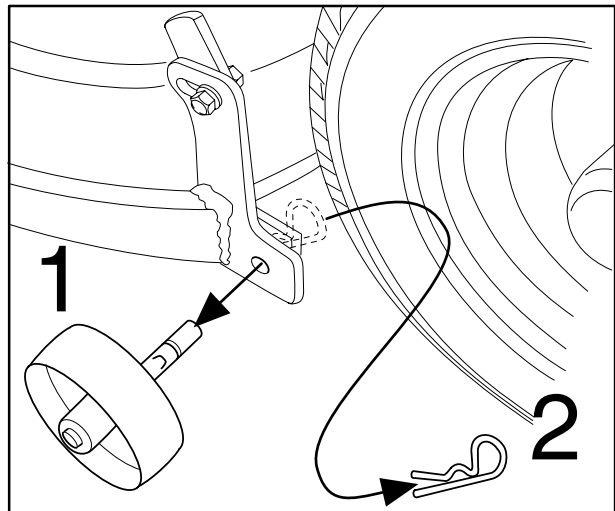
The cutting head can be placed in the service position to provide easy access for cleaning, repairs and servicing. In the service position the cutting unit is raised and locked in the vertical position.

Placing in service position

1. Apply the parking brake (see operator's manual). Adjust the cutting unit to the lowest cutting height.
2. Disengage the spring from the drive belt tensioning wheel.

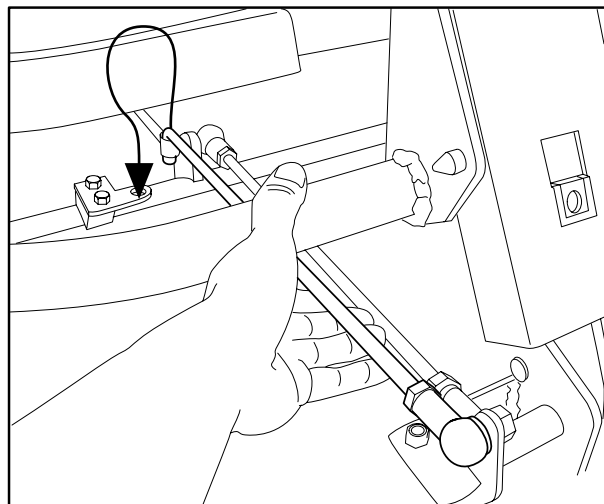


3. Fit the support wheels (1) and lock with the locking pin (2).



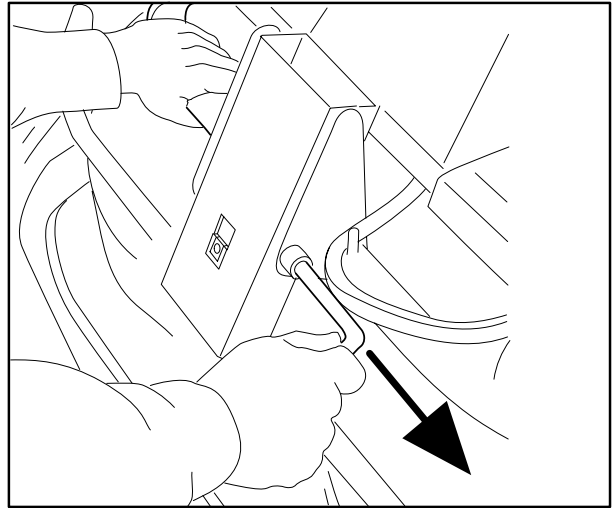
4. Remove the front hood and pull out the pin.

5. Place a foot on the edge of the cutting unit near the wheel and raise the front edge of the unit to make it easier to remove the lift strut. Engage the strut in the holder.

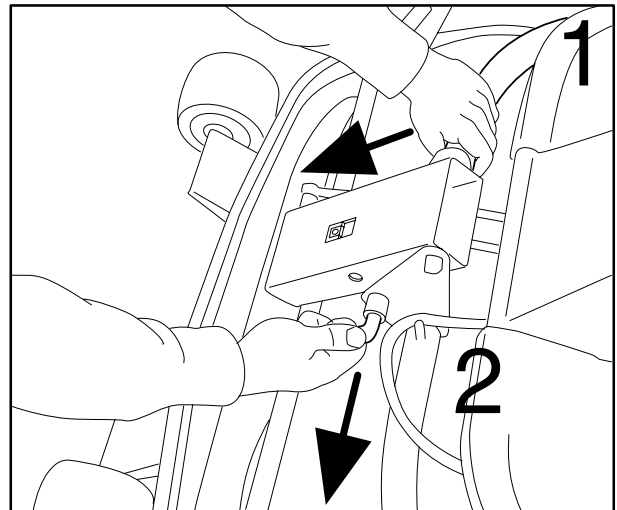


MAINTENANCE

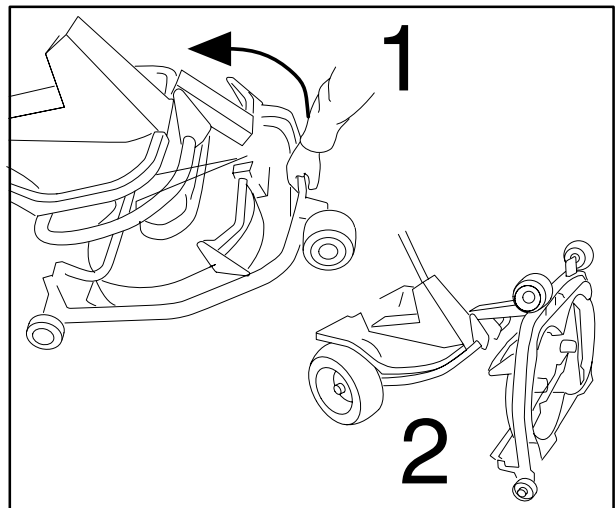
6. Pull out the pin. Lift off the drive belt and lay it on the pin. Take care not to get your hand trapped.



7. Push down the frame (1) and insert the pin (2).



8. Grasp the front edge of the cutting unit, pull out and raise into the service position.

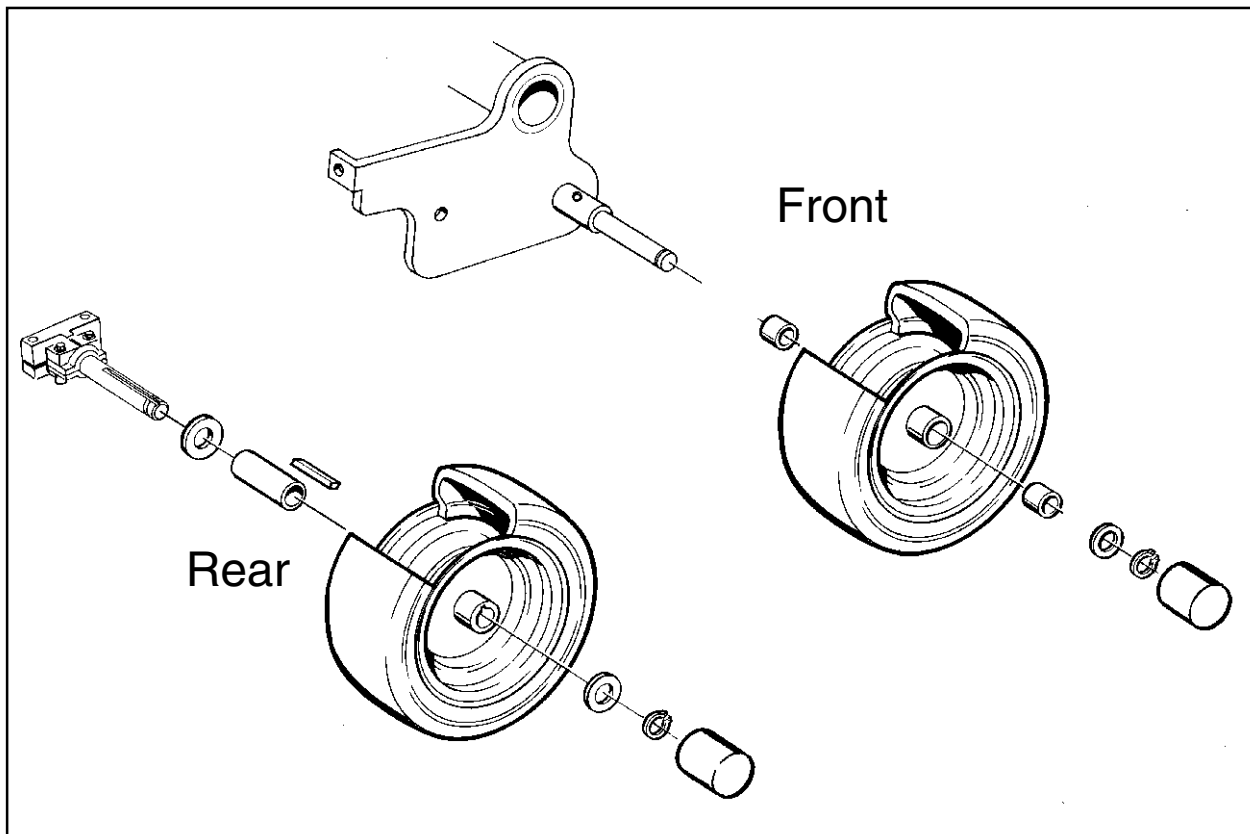


Restoring from service position

To restore the machine from the service position, reverse the sequence "Placing in Service Position".

WHEEL ASSEMBLY

Assemble the wheels



Assemble the wheels in the sequence as shown above.

