

SB, 394, Protective plate, 1997-11

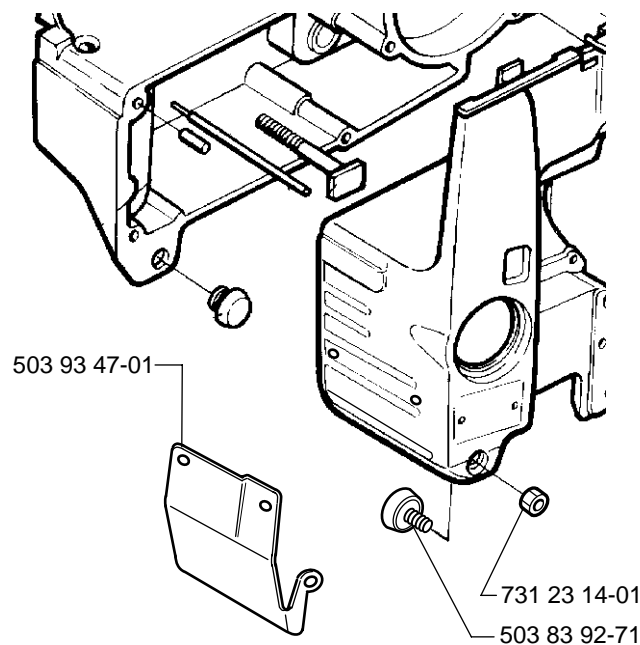
The following improvements have been introduced:

- improved fastening of the side support, which is bolted with nuts.
- protective plate for the front section of the crankcase.

Can also be fitted to saws with an earlier design if the crankcase is modified as shown.

NOTE!

The protective plate is only fitted as standard on saw models: 965 90 03 and 965 90 09.



New Ref No.	Description	Excl. Ref. No.	Remarks
503 83 92-71	Side support "Kit"	503 74 30-01	nuts included in kit
731 23 14-01	Nuts		
503 93 47-01	Protective plate		

Introduced from serial number: 7420001