

Model 225, 232, 235

Ignition system

An improved ignition system has been developed and fitted in parallel with the existing system during an introductory period. The ignition system has been fitted to the models below between the follow serial number range.

225RJ

635 1034-1093	60 pcs	Charlotte US
635 0746-0889	144pcs	-"
635 0890-1033	144 pcs	-"
636 0147-0206	60 pcs	-"
638 0001-0060	60 pcs	-"

235R

633 0483-0502	20 pcs	Charlotte US
633 0503-0522	20 pcs	-"
633 0523-0588	36 pcs	Pacific Canada

The flywheel has also been improved. It now has two magnetic poles instead of the earlier three. Refer to the diagrams of the existing and improved ignition systems, and flywheels.

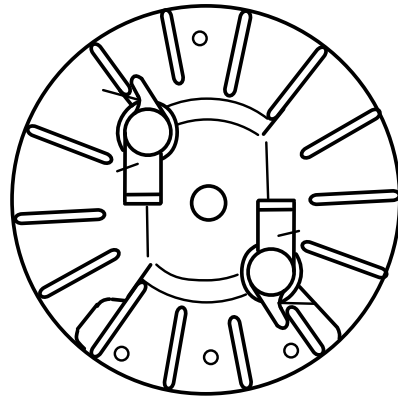
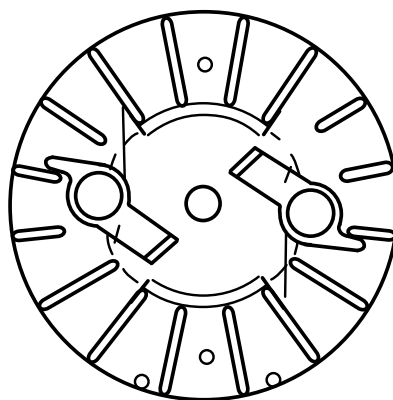
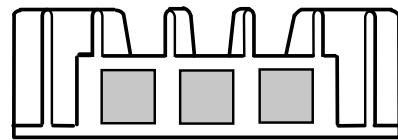
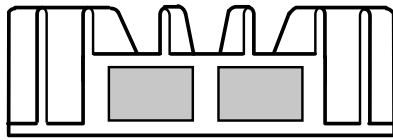
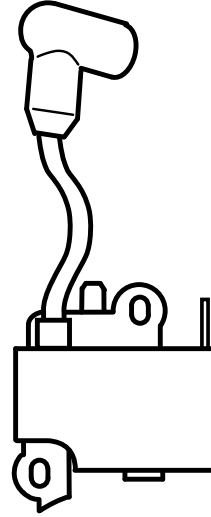
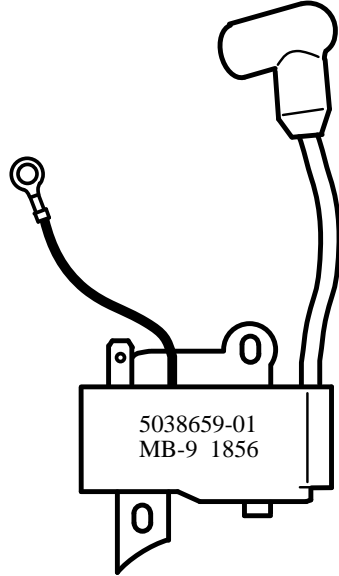
NOTE! Ignition modules ref no. 503 86 58-01 and 503 86 59-01 cannot be used with flywheel 502 19 59-01. Neither can flywheel 503 79 06-01 be used with ignition modules 530 03 91-45 and 503 76 16-01.

New Ref. No.	Description	Excl. Ref. No.	Remark
503 86 58-01	Ignition module	-	Model 232/235
503 86 59-01	-"	-	Model 225
503 79 06-01	Flywheel	-	

Machines that during 1996 have been fitted with this ignition system have been delivered to Husqvarna Charlotte (US) and Pacific (Canada), see serial number table. From production start 1997 all models 225, 232 and 235 will be fitted with this ignition system.



SERVICE 		3
		X 96.007-26



Improved

Existing