

SB, 225 H 60, 225 H 75, Blade guard, 2003-02

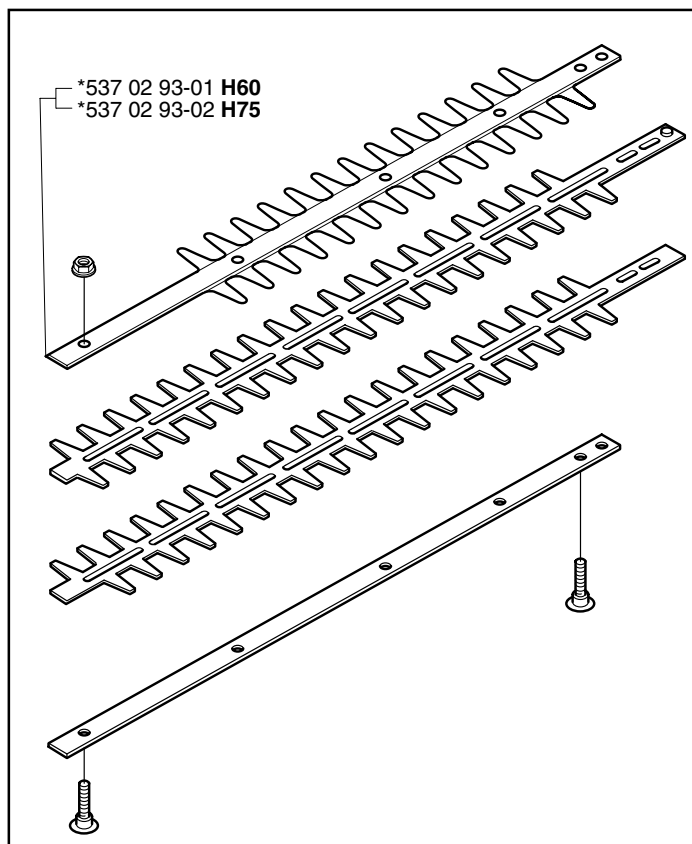
Hedge trimmers manufactured in early 1996 had an aluminium blade guard, 503 76 98. In order to reduce wear to this blade guard it was fitted with a wear plate, 503 78 73.

This aluminium blade guard was replaced with a steel blade guard. The thickness of the blade guard was increased at the same time to eliminate the need for the wear plate.

When a blade guard or wear plate is replaced on a hedge trimmer manufactured in 1996, both the blade guard and wear plate must be replaced with a steel blade guard.

New art. no.	Description	Excl. art. no.	Remark
537 02 93-01	Blade guard, steel 60 cm	{ 503 76 98-01 503 78 73-01	
537 02 93-02	Blade guard, steel 75 cm	{ 503 76 98-02 503 78 73-02	

New version



Previous version

