



<b>SERVICE</b> 		<b>10</b>
		<b>B0200050</b>

English 1 (2)

## SB, 322, 323, 325, 326 series, Drive shafts, 2002-06

There have been cases of drive shaft failures on trimmers, brush cutters, pole saws and pole hedge trimmers. A number of improvements have been introduced:

A new version of clutch cover has been introduced with a cut-out for the vibration damping element that has a larger radius, part number 537 04 12-03. The collar of the new clutch cover is painted to make identification easier.

The machining of welds on drive shafts was improved with effect from December 2001. The part numbers are unchanged.

Compression sleeve 537 03 23-01 has been extended and modified to give a more secure fit with vibration damper 537 03 24-01. See Service Bulletin B0200032.

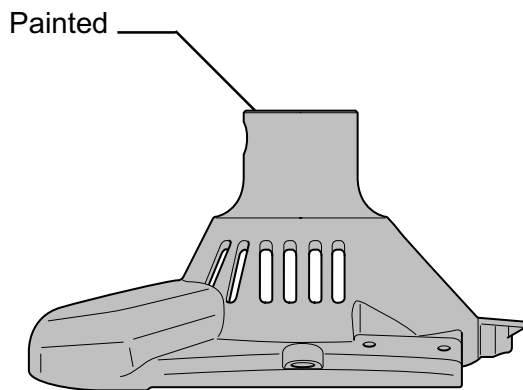
The following steps are recommended for machines that suffer from repeated drive shaft failure:

Replace clutch cover with 537 04 12-03.

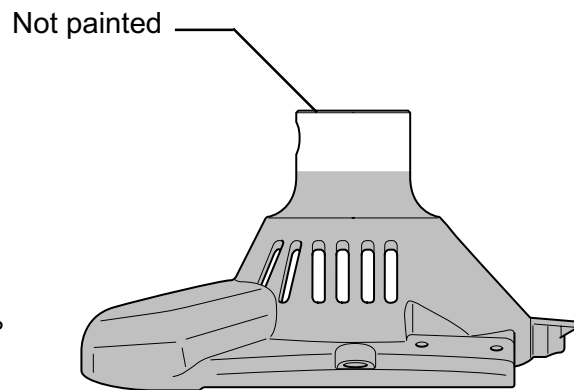
Replace vibration damper 537 03 24-01, since this may be damaged.

Replace compression sleeve 537 03 23-01 with revision D.

New part no.	Description	Excl. part. no.	Remark
537 04 12-03	Clutch cover	537 04 12-01	





537 04 12-03



537 04 12-01



SERVICE 		10
		B0200050

English 2 (2)

