



SERVICE 		8
		B0001002

English 1 (1)

SB, 371, 365, 362, Hand guard, Cylinder cover, 2000-01

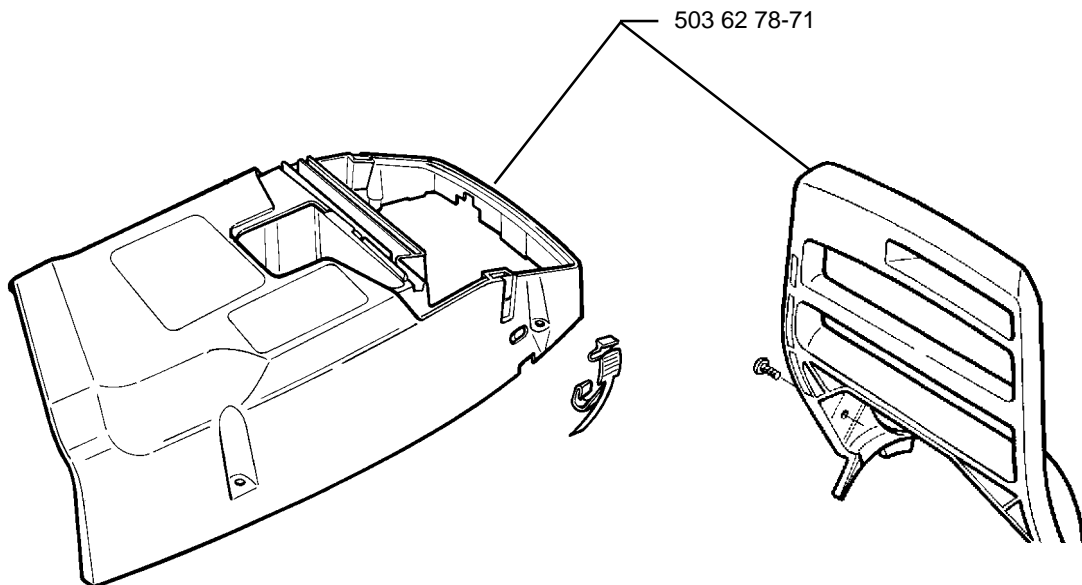
A modified cylinder cover and hand guard have been brought into production.

The modified cylinder cover is 25 mm shorter and has a support at the front edge. When replacing the cylinder cover or hand guard on the 371X P, 362XP or 365 the extended hand guard must be fitted. In this case the "cylinder cover kit" must be used.

The kit contains:

1. shortened cylinder cover
2. extended hand guard
3. cylinder cover support

NOTE! The filter cover is not included.



New ref. no.	Description	Excl. ref. no.	Remarks
503 62 78-71	Cylinder cover kit	503 62 78-02 Std.	hand guard + cylinder cover
503 62 78-71	Cylinder cover kit	503 62 78-04 HD	
537 01 65-01	Support		
503 74 01-02	Clip	503 74 01-01	

Brought into production from serial number:

371	994100061
365	993900001
362	994000001