

For Husqvarna Parts Call 606-678-9623 or 606-561-4983

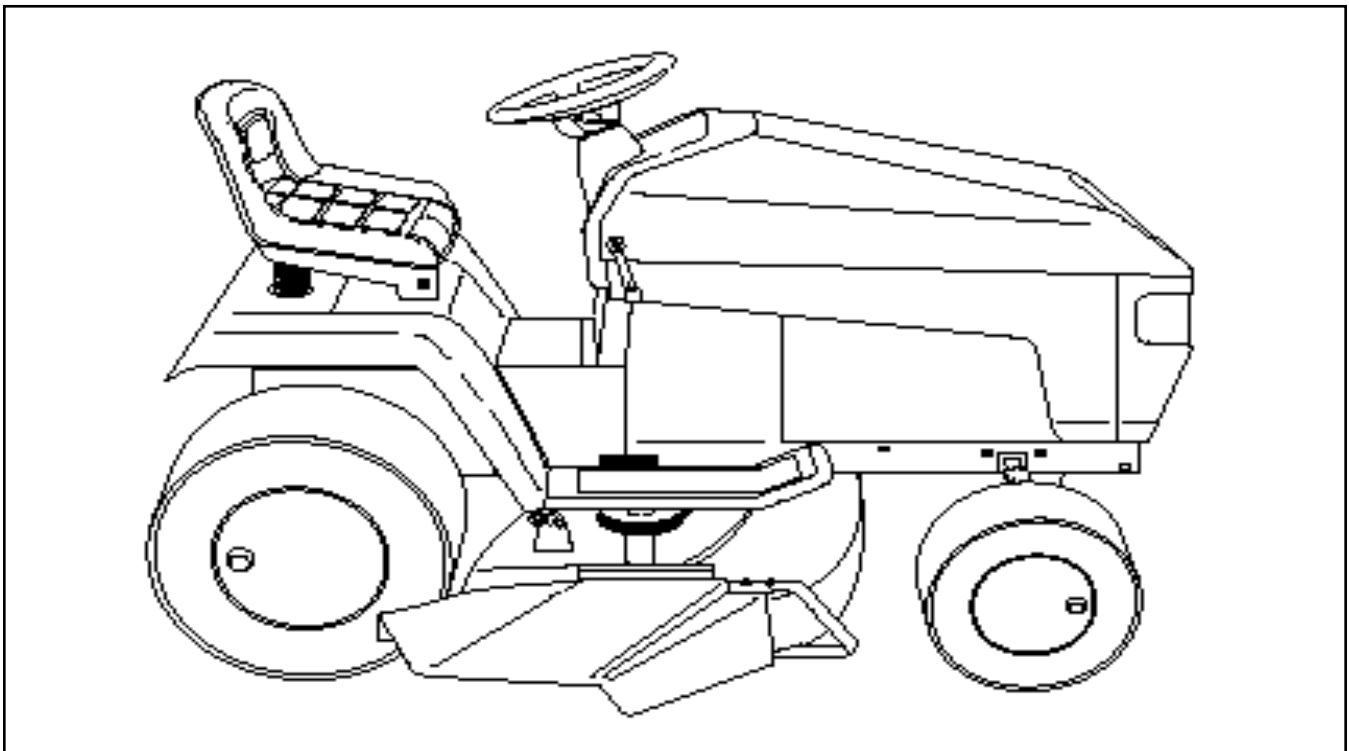


Illustrated Parts
List

1999-10

19902048

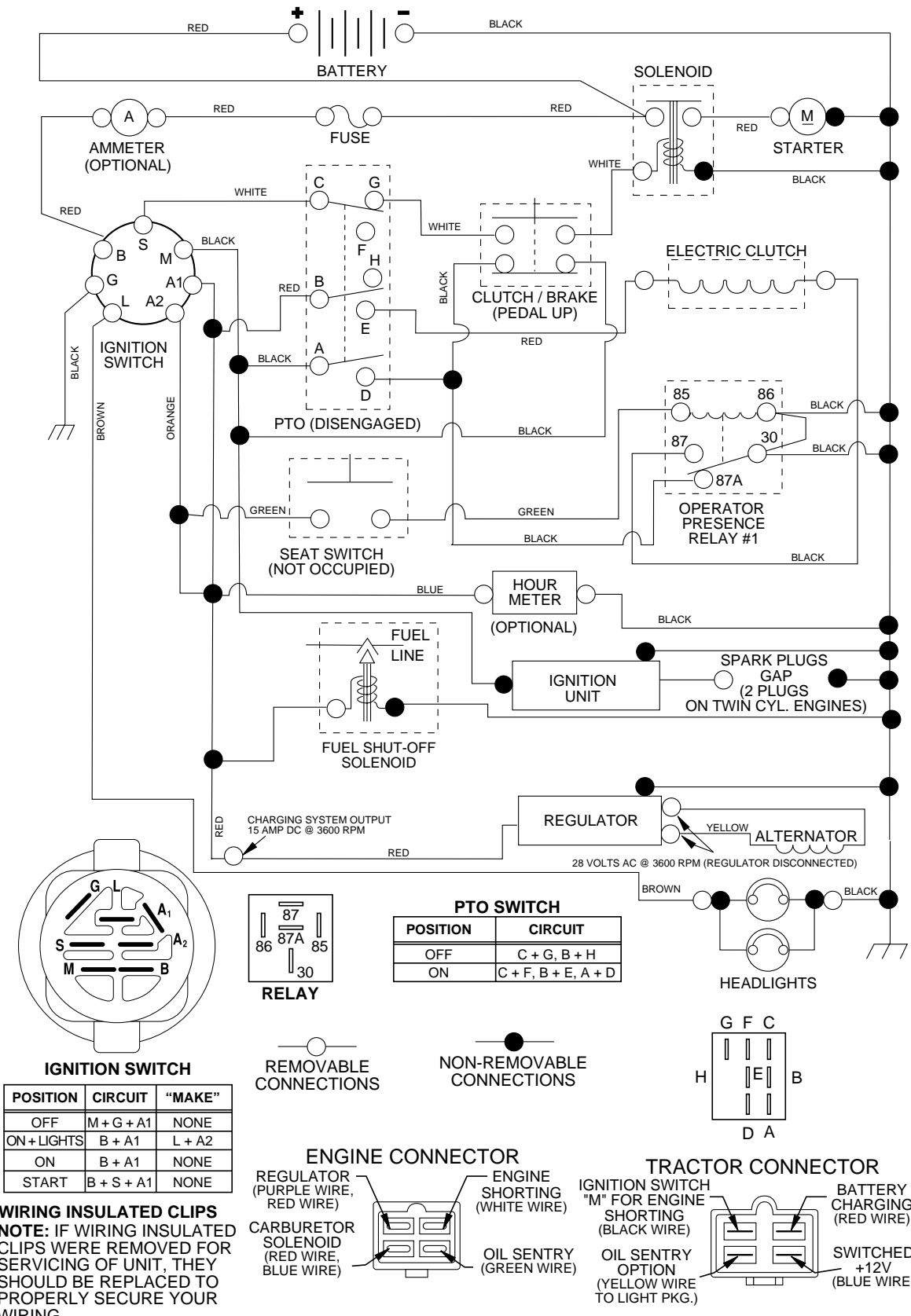
GTH 225



Ride Mower

954140103A

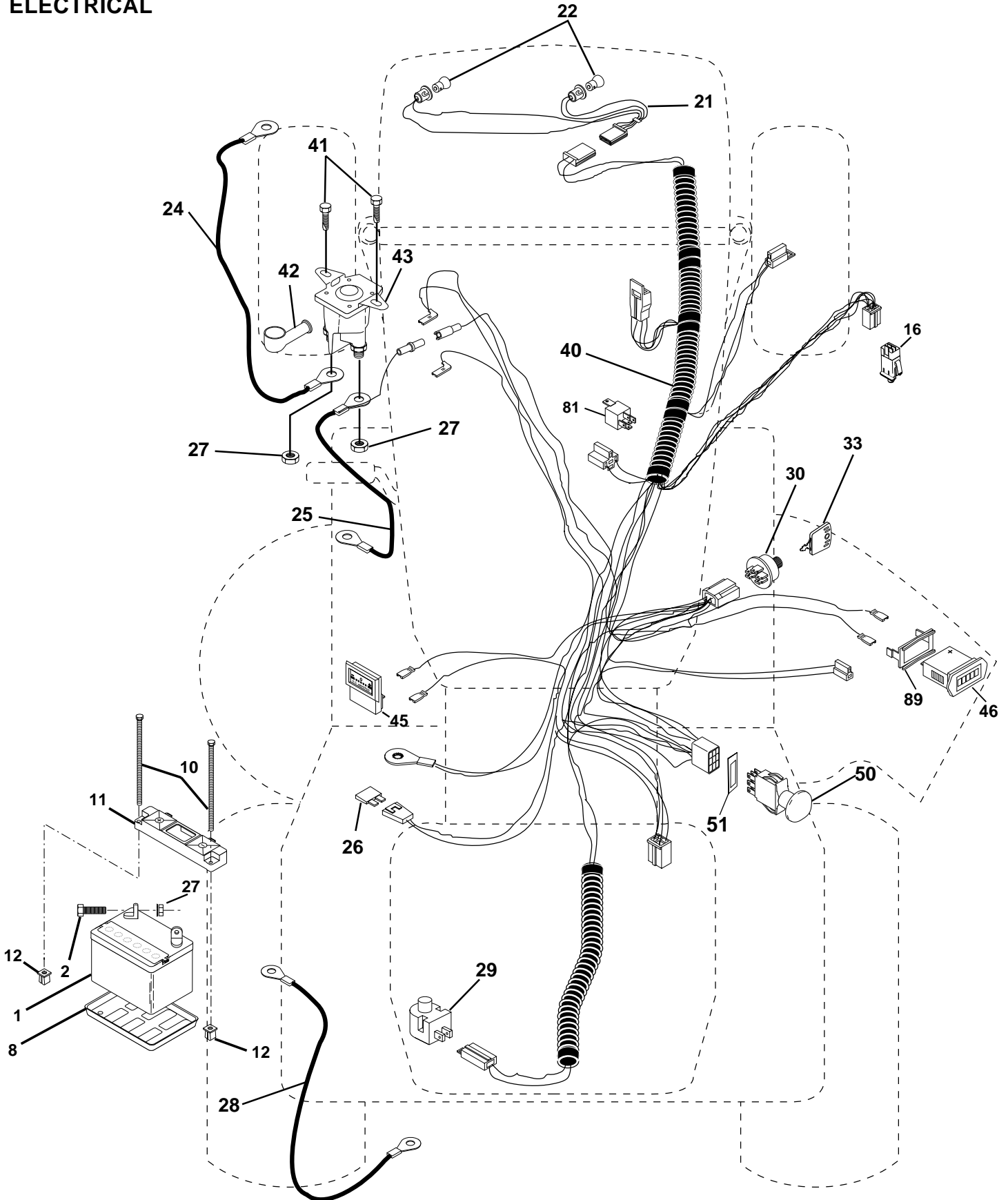
TRACTOR - MODEL NO. GTH225 (954140103A), PRODUCT NO. 954 14 01-03 SCHEMATIC



REPAIR PARTS

TRACTOR - MODEL NO. GTH225 (954140103A), PRODUCT NO. 954 14 01-03

ELECTRICAL



REPAIR PARTS

TRACTOR - MODEL NO. GTH225 (954140103A), PRODUCT NO. 954 14 01-03

ELECTRICAL

KEY NO.	PART NO.	DESCRIPTION
1	532144927	Battery
2	532171017	Bolt Hex Head 1/4-20 x 3/4
8	532124886	Tray, Battery
10	532171327	Bolt, Btr Frt 1/4-20 x 7-1/2 Zinc
11	532150109	Holddown Battery Front Mount
12	532145769	Nut Push Nylon 1/4" Battery Frt.
16	532153664	Switch Interlock Push-In
21	532166182	Harness Socket Light w/4152J
22	532004152	Bulb Light
24	532004014	Cable, Starter
25	532146686	Cable, Battery
26	532108824	Fuse
27	532171018	Nut Keps Hex 1/4-20 UNC
28	532170697	Cable, Ground
29	532160784	Switch, Plunger
30	532163968	Switch, Ign
33	532140401	Key
40	532166176	Harness Ign.
41	532171323	Screw 1/4-20 x 1/2
42	532131563	Cover, Terminal Red
43	532145673	Solenoid
45	532122822	Ammeter Rectangular
46	532169635	Meter Hour Snap-In
50	532169417	Switch, PTO
51	532140405	Ring Retainer PTO
62	532110143	Bulb, Light Pkg.
81	532109748	Relay Asm.
89	532169639	Bracket Snap-In Hourmeter

NOTE: All component dimensions given in U.S. inches
1 inch = 25.4 mm

REPAIR PARTS

TRACTOR - MODEL NO. GTH225 (954140103A), PRODUCT NO. 954 14 01-03

CHASSIS AND ENCLOSURES

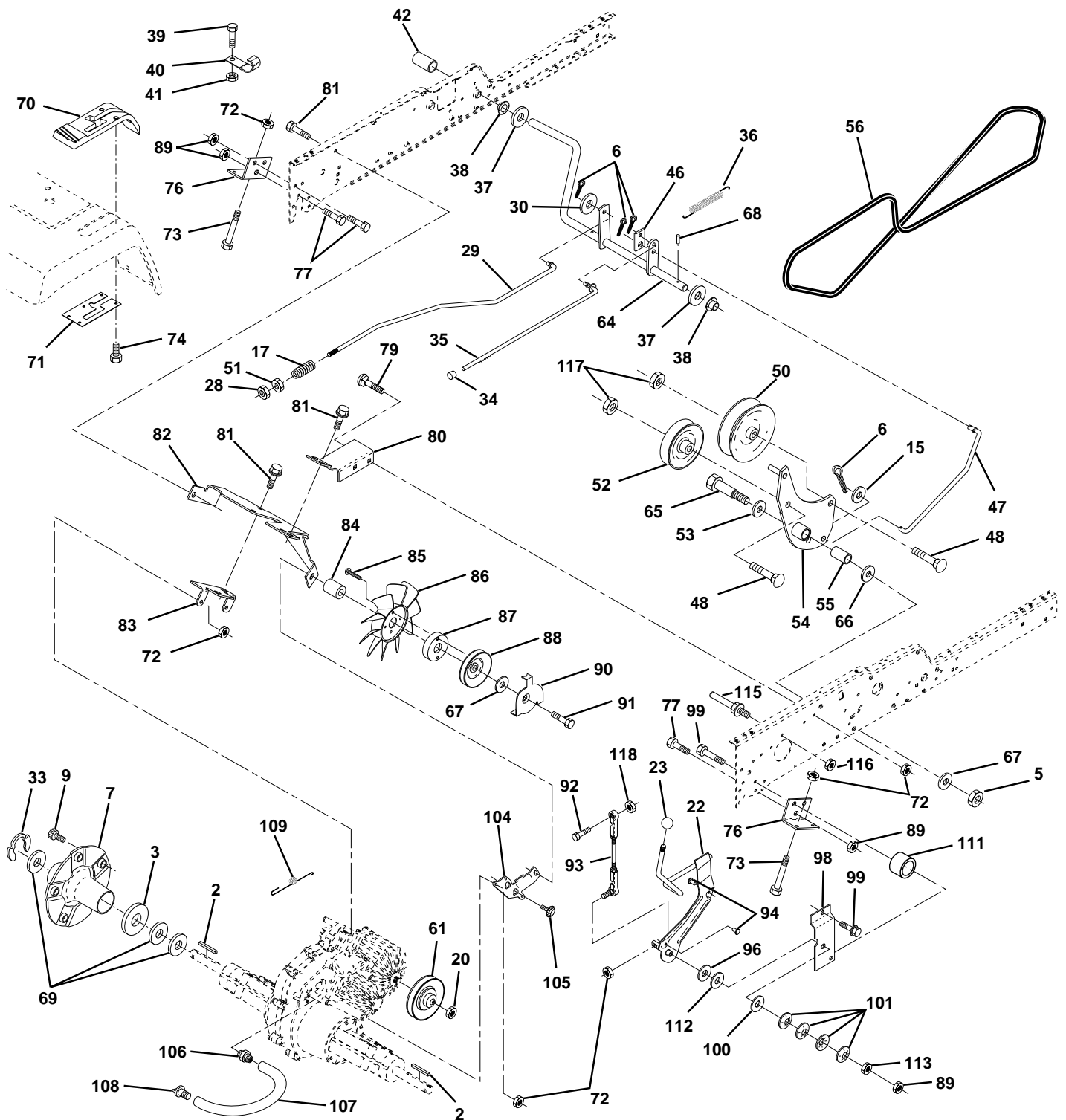
KEY NO.	PART NO.	DESCRIPTION	KEY NO.	PART NO.	DESCRIPTION
1	532150253	Rail, Frame RH	63	532171236	Washer 13/32 x 1 x 14 Ga.
2	532140506	Drawbar, Gt	68	532171196	Screw, Thdrol 5/16-18 x 1/2
3	532150478	Panel Asm., Side LH	70	532137159	Guide, Belt Mid Span
4	532171331	Nut Crown Lock 7/16-14 Unc	72	532171194	Screw, Mach Trhd 5/16-18 x 3/4
5	532140452	Dash, Plastic Black	74	874191008	Screw, Machine #10-24
6	532157882	Dash 1-PCS, Lower	76	532125004	Nut, Weld #10-24
7	532171323	Screw, Thd Cut 1/4-20 x 1/2	79	532171346	Screw, Machine #10-24 x 1/4
8	532145166	Support, Battery	80	532171345	Spacer, Split
9	532108067	Nut Pal	82	532171347	Nut #10-24
14	532150477	Hood Asm., Pnt	84	532142992	Stop, Over Center 44" 20/23" T. 94
15	532168214	Lens, Headlight LH	86	532171330	Bolt, Fin Hex 7/16-14 Unc x 1
16	532121794	Cover, Access	90	532171217	Washer, Lock External Tooth 3/8
17	532171167	Screw, 3/8-16 x 3/4	91	532170755	Rail, Frame Lh
18	532157236	Grille	92	532171366	Plate, Silkscreen Dash
19	532171151	Washer 13/32 x 13/16 x 12 Ga.	98	532140503	Bracket Chassis Skid
20	532171339	Bolt, Fin Hex 3/8-16 x 1	99	532171332	Rod Asm. Bypass
21	532171168	Nut, Crownlock 3/8-16 Unc	100	532071673	Cap Brake Parking Red
22	532150479	Panel Side RH Husqvarna YTGT	101	532171334	Screw Thdrol. 3/8-16 x 1-3/4
23	532171235	Screw 3/8-16 x 1/2	102	532171333	Retainer Spring 1"
24	532147207	Footrest, RH	103	532142273	Bracket Lock Bypass
25	532168213	Lens Headlight RH	106	532171341	Screw Thdrol. Hex Hd Zinc Mwr
27	532171343	Nut Fin Hex 1/4-20	107	532109808	Latch, Chute Blk
28	532147203	Footrest, LH	108	532110356	Cap, Snap Black
29	532145205	Bracket, Support Dash	109	532110357	Cap, Washer Snap
30	532145052	Saddle	110	532150200	Pivot Asm. Grille/Hood Husq. VGT
31	532161419	Brace, Support Steering	112	532060867	Nut, Acorn, Hex #10-24
32	532161327	Bracket Asm., Frame Pivot Lh	114	532171335	Bolt, Carriage 3/8-16 x 1-1/4
33	532161326	Bracket Asm., Frame Pivot Rh	115	532150300	Bumper Asm.
34	532142131	Bracket, Engine Support Rear	116	532141461	Bracket Extension Bumper
35	532171349	Washer 11/32 x 11/16 x 16 Ga.	117	532143679	Plug Plastic
36	532171338	Bolt, Fin Hex 5/16-18 x 3/4	118	532171336	Washer 13/32 x 13/16 x 16 Ga.
37	532169426	Fender, Pnt.	119	532171141	Nut Crownlock 3/8-16 UNC
38	532171185	Washer, Lock 1/4	130	532171223	Screw, HwHd Hi-Lo #13-16 x 3/4
39	532136961	Bracket, Axle Front	131	532150195	Bracket Support Hood/Panel YP
40	532156111	Bracket, Support Axle/Engine	132	874291006	Screw Truss Hd. #10-24 x 3/8
43	532136939	Bracket, Spnsn Front Lh	136	532171154	Screw 3/8-16 x 3/4
44	532136940	Bracket, Spnsn Front Rh	138	532166625	Cupholder YTGT Grey
45	532154913	Bracket Asm., Susp Chassis Rh	139	532171348	Bolt, Shoulder 5/16-18
46	532171342	Washer 9/32 x 3/4 x 16 Ga.	145	532171465	Washer, Flat 13/32 x 7/8 x 14 Ga.
47	532171136	Screw Thdrol 3/8-16 x 1/2	151	532171340	Screw 5/16-18 x 3/4
50	532152728	Bracket, Chassis Front	152	532171154	Screw 3/8-16 x 3/4
52	532171248	Locknut, Hex W/Ins 5/16-18 Unc	153	532171141	Nut Crown Lock 3/8-16 Unc
54	532171195	Nut 5/16-18	154	532171375	Bolt Hex Fin 3/8-13 x 1" Blk
56	532154914	Bracket Asm., Susp Chassis Lh	--	532125085	Plug, Hole
58	532137113	Bracket Asm., Fender			
60	532171173	Screw Thdrol 3/8-16 x 1-1/4			

NOTE: All component dimensions given in U.S. inches
1 inch = 25.4 mm

REPAIR PARTS

TRACTOR - MODEL NO. GTH225 (954140103A), PRODUCT NO. 954 14 01-03

GROUND DRIVE



REPAIR PARTS

TRACTOR - MODEL NO. GTH225 (954140103A), PRODUCT NO. 954 14 01-03

GROUND DRIVE

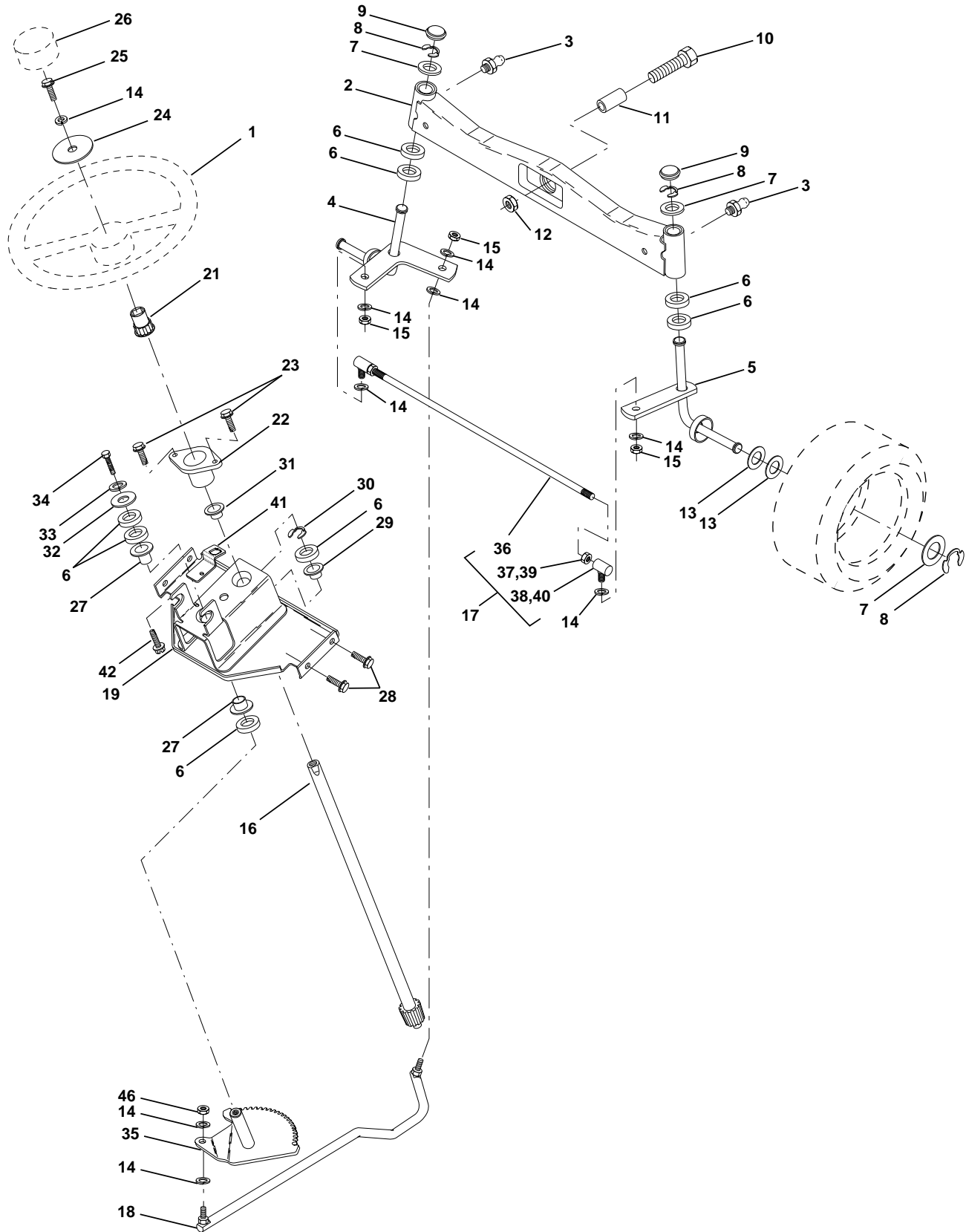
KEY NO.	PART NO.	DESCRIPTION	KEY NO.	PART NO.	DESCRIPTION
1	-----	Transaxle Hydro 222-3010 (Order parts from transaxle mfg.)	70	532166624	Console Hydro Fender
2	532007070	Key 1/4 x 2.5	71	532151179	Plate Console Shift
3	532007563	Washer Thrust Axle Harden	72	532171026	Nut Crownlock 5/16-18
5	532171168	Nut Crownlock 3/8-16	73	532171400	Bolt Hex Flghd 5/16-18 x 3 Gr. 5
6	532171165	Pin Cotter 1/8 x 3/4	74	532171370	Screw, Hex Wsh Hi-Lo 1/4-1/2
7	532140507	Wheel Hub Asm.	76	532140481	Bracket Transaxle
9	532171379	Bolt Hub	77	532171330	Bolt Fin Hex 7/16-14 x 1
15	532171168	Washer 13/32 x 13/16 x 16 Ga.	79	532171401	Bolt Carriage 5/16-18 x 5/8
17	532140921	Spring Rod Brake	80	532140484	Bracket Torque RH
20	532171128	Nut Hex Jam Toplock 1/2-20	81	532171154	Screw 3/8-16 x 3/4
22	532156103	Shaft Arm Asm	82	532150586	Bracket Mount Torque/Fan
23	532121274	Knob	83	532140479	Strap Torque Mid
28	532171163	Nut, Hex Jam 3/8-16	84	532140490	Spacer
29	532171404	Brake Rod	85	532171402	Screw #10-24 x 1-1/4
30	532171140	Washer 13/32 x 1 x 16Ga	86	532140462	Fan 7" Hydro
33	812000053	Ring E	87	532140491	Adapter Fan
34	532071673	Cap Plunger	88	532161592	Pulley Idler
35	532171459	Rod Parking Brake	89	532171331	Nut, Crownlock 7/16-14
36	532149412	Spring Drive Ground	90	532140489	Keeper Belt
37	532171038	Washer 25/32 x 1-1/4 x 16 Ga.	91	532171403	Screw Thdrol 3/8-16 x 2-3/4
38	532150035	Nyliner	92	532171409	Bolt Fin Hex 5/16-18 x 1.75
39	532171413	Screw Fin #10-24 x 1	93	532140502	Link Shift Asm
40	532005304	Actuator Interlock Switch	94	532133835	Fastner Christmas Tree
41	532171414	Nut Toplock #10-24 Unc	96	532141103	Washer Nickel Plated
42	532124872	Cover Pedal	98	532141004	Bracket Shift
46	532145170	Retainer Spring	99	532171411	Screw 3/8-16 x 1-1/2
47	532138228	Clutch Rod	100	532126881	Washer Compression
48	532171180	Bolt Carriage 3/8-16 x 1-1/2 Gr. 5	101	532156106	Washer Bellville
50	532131494	Pulley Idler Flat	104	532140480	Bracket Idler
51	532171408	Nut Lock Hex 3/8-16	105	532171399	Screw Tap 1/4-20 x 1/2
52	532139123	Pulley Idler Grooved	106	532142918	O-Ring Asm. Hydro Gear
53	532000207	Washer Hardened	107	532154739	Line Fuel Hydro
54	532161590	Clutch Arm Asm	108	532142917	Cap Vent
55	532105706	Bearing, Idler	109	532140929	Spring Return Brake
56	532140218	V-Belt	111	532156240	Spacer Shift Lever VGTH
61	532140488	Pullery Transaxle	112	532156104	Washer Nylon High Temp
64	532154752	Shaft Asm Brake Parking Clutch	113	532171412	Nut Hex ASF 7/16-14 UNC
65	532171423	Bolt Shoulder	115	532171428	Keeper Belt Gnd Dr.
66	532140296	Washer Hardened	116	532171429	Nut Lock Hex Flange 5/16-18
67	532171151	Washer 13/32 x 13/16 x 12 Ga	117	532171422	Nut Lock Flg. 3/8-16 UNC
68	532005142	Pin Roll	118	532171410	Nut Lock Hex w/Ins 5/16-18 Unc
69	532191378	Washer			

NOTE: All component dimensions given in U.S. inches
1 inch = 25.4 mm

REPAIR PARTS

TRACTOR - MODEL NO. GTH225 (954140103A), PRODUCT NO. 954 14 01-03

STEERING ASSEMBLY



REPAIR PARTS

TRACTOR - MODEL NO. GTH225 (954140103A), PRODUCT NO. 954 14 01-03

STEERING ASSEMBLY

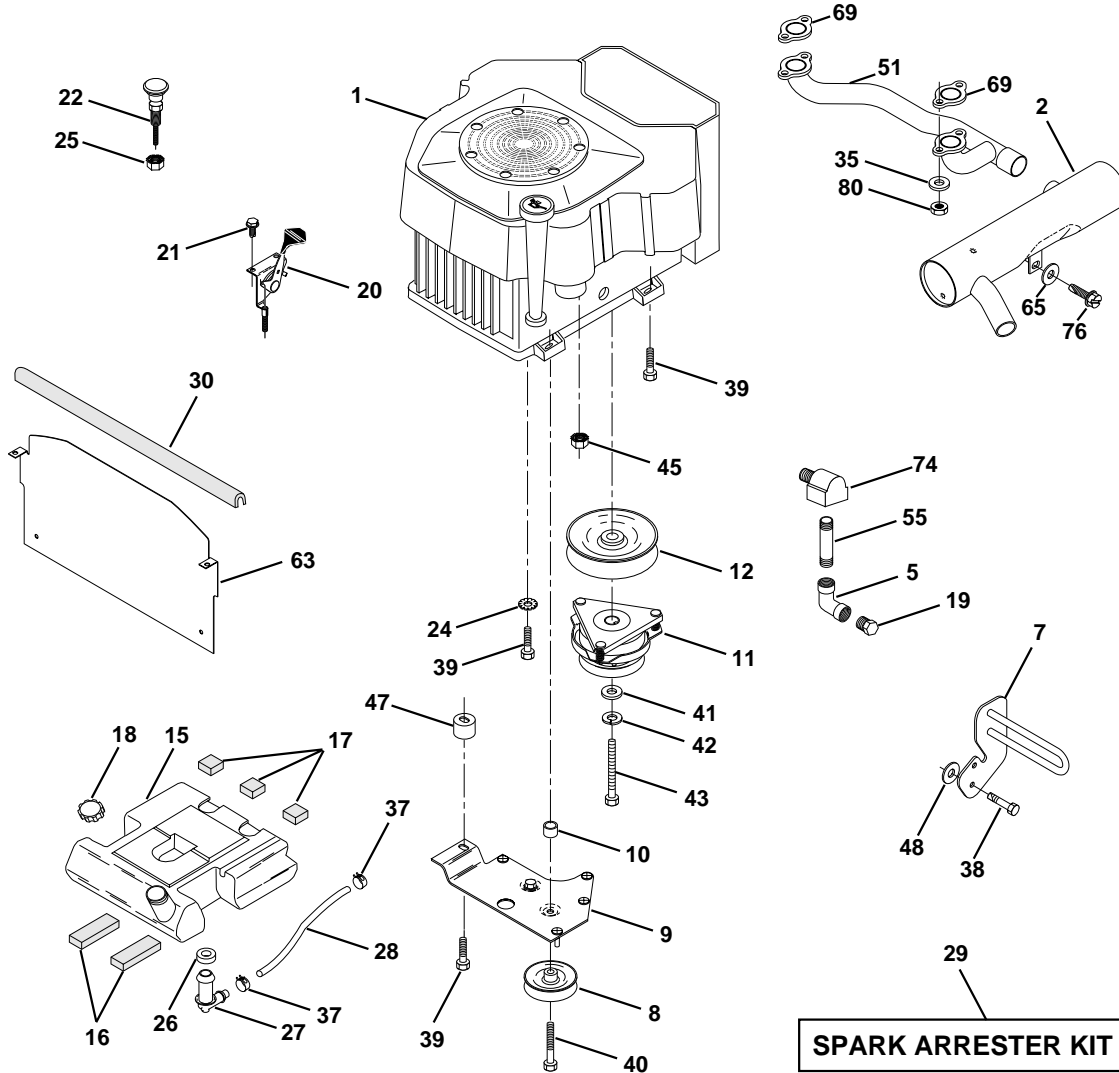
KEY NO.	PART NO.	DESCRIPTION
1	532166627	Wheel, Steering
2	532137094	Axle Asm., Front
3	532124836	Fitting, Grease
4	532161849	Spindle Asm, LH
5	532161848	Spindle Asm., RH
6	532124931	Bearing, Race Thrust Harden
7	532171039	Washer 25/32 x 1-5/8 x 16 Ga.
8	812000029	Ring, Klip #T5304-75
9	532121232	Cap, Spindle
10	532171415	Bolt, Fin Hex 5/8-11 x 2-3/4
11	532136518	Spacer, Brg. Axle Front
12	532171416	Nut, Lock Flange 5/8-11 Unc
13	532171038	Washer 25/32 x 1-1/4 x 16 Ga.
14	532171029	Washer, Lock Hvy Hlcl Spr 3/8
15	532171175	Nut, Lock Center 3/8-24 Unf
16	532145103	Shaft Asm., Steering
17	532137347	Rod Asm., Tie Ball J Ball Vgt (Inc. Key No. 36-40)
18	532137155	Draglink, Ball Joint Solid Vgt
19	532156011	Support Asm., Steering Vgt
21	532159945	Adapter, Wheel Steering
22	532155105	Bushing, Strg.
23	532171193	Screw
24	532171388	Washer 13/32 x 1-1/20 x 11 Ga.
25	532171427	Bolt, Fin Hex 3/8-16 x 1 Gr. 5
26	532166626	Cap, Wheel Steering
27	532124937	Bearing, Col. Strg.
28	532171154	Screw 3/8-16 x 3/4
29	532104239	Bearing, Flange
30	812000034	Ring, Klip Truarc #5304-75
31	532138136	Bushing, Nyliner Snap
32	532171425	Washer 11/32 x 1 x 10 Ga.
33	532171213	Washer, Lock Hvy Hlcl Spr 5/16
34	532171358	Bolt, Hex Hd 5/16-18 x 3/4
35	532138059	Gear, Sector Steering
36	532137156	Tie Rod
37	873360600	Jam Nut RH Thread
38	532109850	Joint Asm. Ball RH Thread
39	873700600	Jam Nut LH Thread
40	532109851	Joint Asm. Ball LH Thread
41	532155246	Bracket Switch Interlock VGT 97
42	532171169	Screw Thdrol 5/16-18 x 1/2 TYT
46	532171426	Nut Lock Center 3/8-24 Unf

NOTE: All component dimensions given in U.S. inches
1 inch = 25.4 mm

REPAIR PARTS

TRACTOR - MODEL NO. GTH225 (954140103A), PRODUCT NO. 954 14 01-03

ENGINE



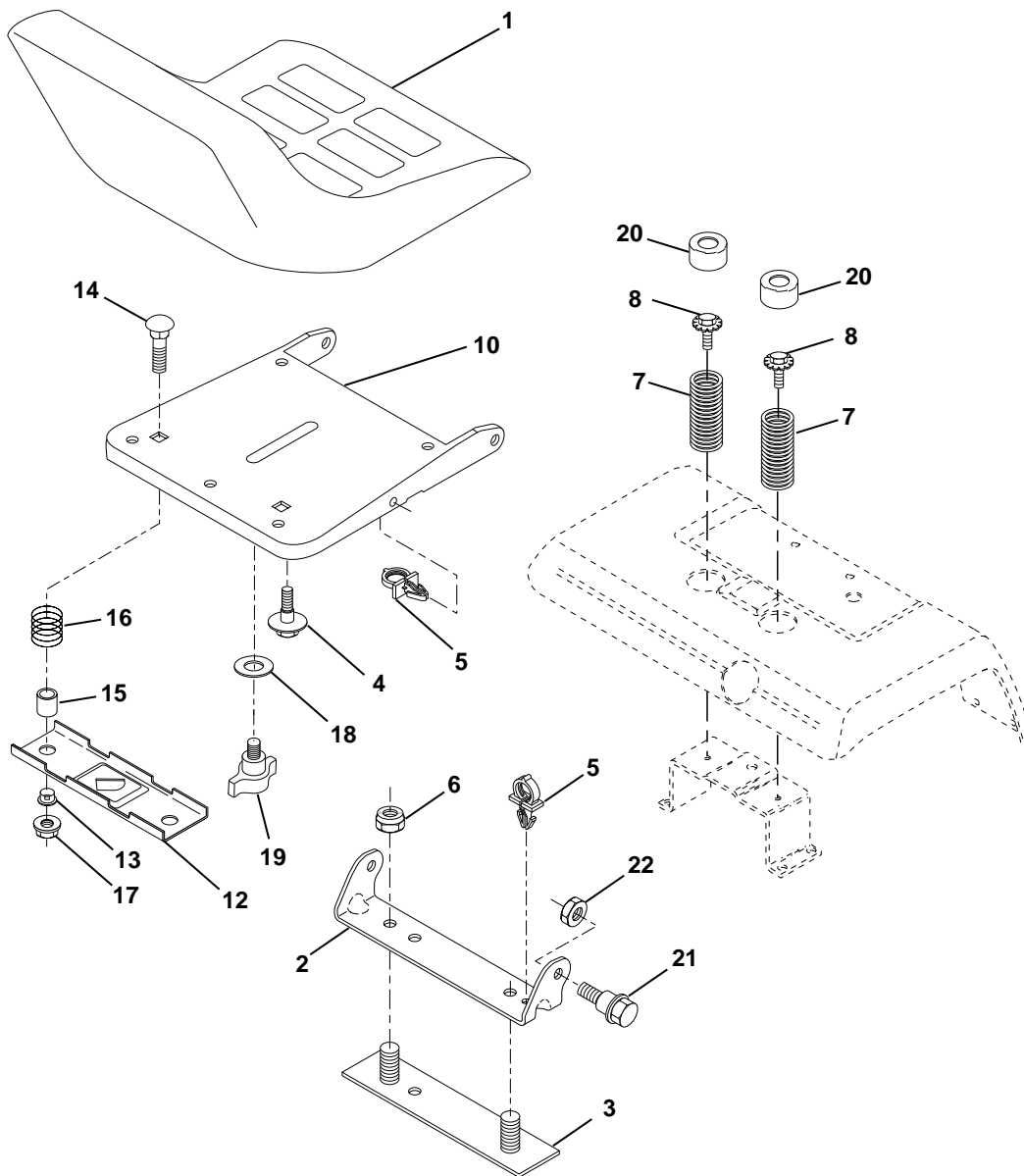
KEY NO.	PART NO.	DESCRIPTION
1	-----	Engine Kohler, Model No. CV22S (Order parts from engine manufacturer)
2	532161063	Muffler Side 1-1/4
5	532171215	Elbow STD 90 Degree 3/8-18 NPT
7	532151396	Muffler Assembly Guard
8	532121361	Pulley V-Idler
9	532150828	Keeper Asm Belt Engine VGT 96
10	532105432	Bushing
11	532140923	Clutch Electric
12	532143996	Pulley Engine VGT Elect Clutch
15	532151346	Tank Fuel Rear
16	532109227	Pad Spacer
17	532106082	Pad Spacer
18	532140527	Cap Asm Fuel W/Sym Vented
19	813290300	Plug Oil Drain (Order From Engine Manufacturer)
20	532132747	Control Throttle
21	532171192	Screw Hex Thd Cut 1/4-20 X 5/8
22	532132781	Control Choke
24	532171217	Washer Ext Tooth 3/8
25	532171350	Nut Keps 3/8 - 24 UNF
26	532124952	Bushing
27	532139277	Stem Tank Fuel
28	532124703	Fuel Line

KEY NO.	PART NO.	DESCRIPTION
29	532132920	Spark Arrester Kit
30	532161547	Extrusion Hood
35	532171467	Washer Split
37	532123487	Clamp Hose
38	532171466	Screw 3/8-16 x 1-1/4
39	532171476	Screw TT 3/8-16 x 2-1/4 UNC
40	532171479	Screw TT 3/8-16 x 4 UNC
41	532171480	Washer 1-1/2 OD X 15/32 ID X .250
42	532171220	Washer Lock 7/16
43	532171219	Bolt Hex 7/16-20 X 4-1/4 Ga 5
45	532171018	Nut Keps 1/4-20 Unc
47	532142040	Spacer Engine
48	532171556	Washer 13/32 x 1-1/4 x 7 Ga.
51	532161231	Manifold Pipe VGT CV 1-1/4
55	532171470	Nipple, Pipe 4-1/2
63	532145549	Shield, Heat VGT YP/Husq.
65	532171236	Washer 13/32 x 1 x 14 Ga.
69	532163307	Gasket Kohler
74	532162295	Elbow Street Brass
76	532171154	Screw 3/8-16 x 3/4
80	532171468	Nut Flange M8-1.25

NOTE: All component dimensions given in U.S. inches
1 inch = 25.4 mm

REPAIR PARTS

TRACTOR - MODEL NO. GTH225 (954140103A), PRODUCT NO. 954 14 01-03
SEAT ASSEMBLY



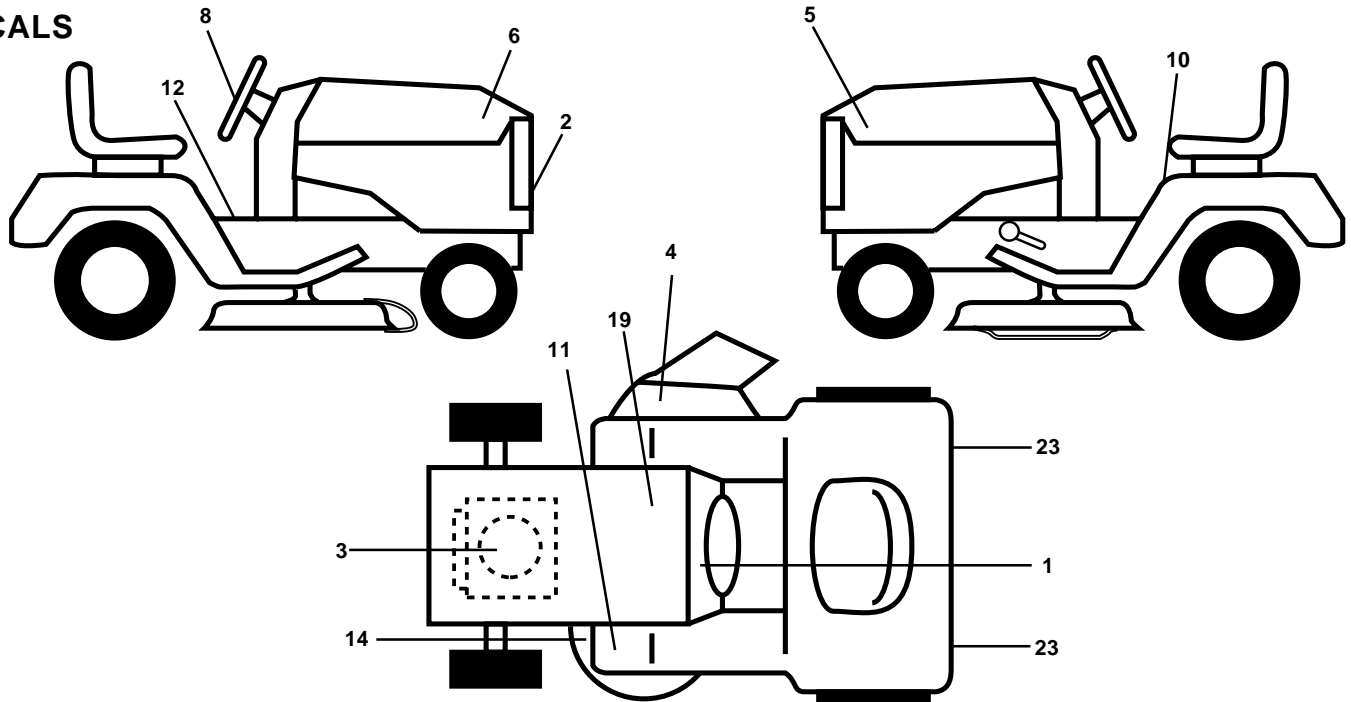
KEY NO.	PART NO.	DESCRIPTION	KEY NO.	PART NO.	DESCRIPTION
1	532141525	Seat	14	532171040	Bolt, Carriage 1/4-20 X 1-1/2
2	532140551	Bracket, Pivot Seat	15	532121249	Spacer, Split
3	532140675	Strap, Fender	16	532123740	Spring, Cprsn
4	532171260	Bolt, Shoulder 5/16-18 X .62	17	532171041	Nut, Lock 1/4 Lge Flg Gr. 5
5	532145006	Clip, Push In Hinged	18	532171261	Washer 17/32 X 1-3/16 X 12 Ga.
6	532171141	Nut, Lock Hex W/Ins. 3/8-16 Unc	19	532166369	Knob, Seat
7	532124181	Spring, Seat Cprsn	20	532124238	Cap, Spring Seat
8	532171376	Bolt 5/16-18unc x 3/4 W/Sems	21	532171130	Bolt, Shoulder 5/16-18 Unc-2A
10	532155925	Pan, Seat	22	532171026	Nut, Crownlock 5/16-18 Unc
12	532121246	Bracket, Mounting Switch			
13	532121248	Bushing, Snap			

NOTE: All component dimensions given in U.S. inches
1 inch = 25.4 mm

REPAIR PARTS

TRACTOR - MODEL NO. GTH225 (954140103A), PRODUCT NO. 954 14 01-03

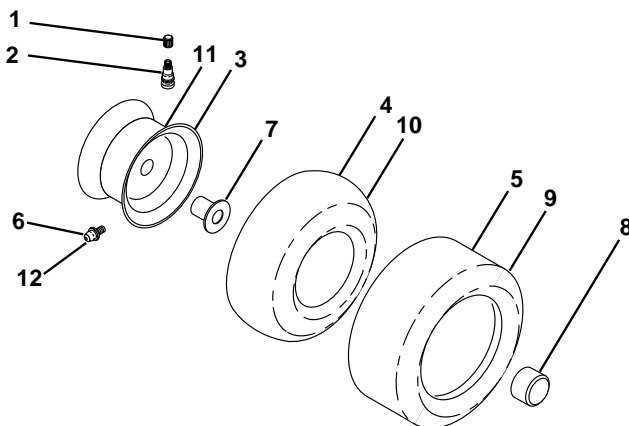
DECALS



KEY NO.	PART NO.	DESCRIPTION
1	532156964	Decal, Operating Instruction
2	532150616	Decal, Grille Husqvarna
3	532166106	Decal, HP Engine
4	532170563	Decal, Mower, Warning, Keep Hand Away
5	532170574	Decal, Hood LH GTH225
6	532170572	Decal, Hood RH GTH225
8	532170564	Decal, Wheel Steering Husq. Prem.
10	532157140	Decal, Danger
11	532101892	Decal, Clutch/Brake

KEY NO.	PART NO.	DESCRIPTION
12	532140837	Decal, Brake Parking Saddle
14	532160397	Decal, V-Belt Schematic
19	532145005	Decal, Battery
23	532106202	Reflector, Taillight
--	532138311	Decal, Handle Lft Height Adjust (Lift Handle)
--	532171237	Pad Ftrest Rbr Sq Generic
--	532142342	Decal, Drawbar Cntrl Mvt Hyd Gt
--	532171095	Manual, Owner's (English)
--	532171096	Manual, Owner's (French)

WHEELS & TIRES



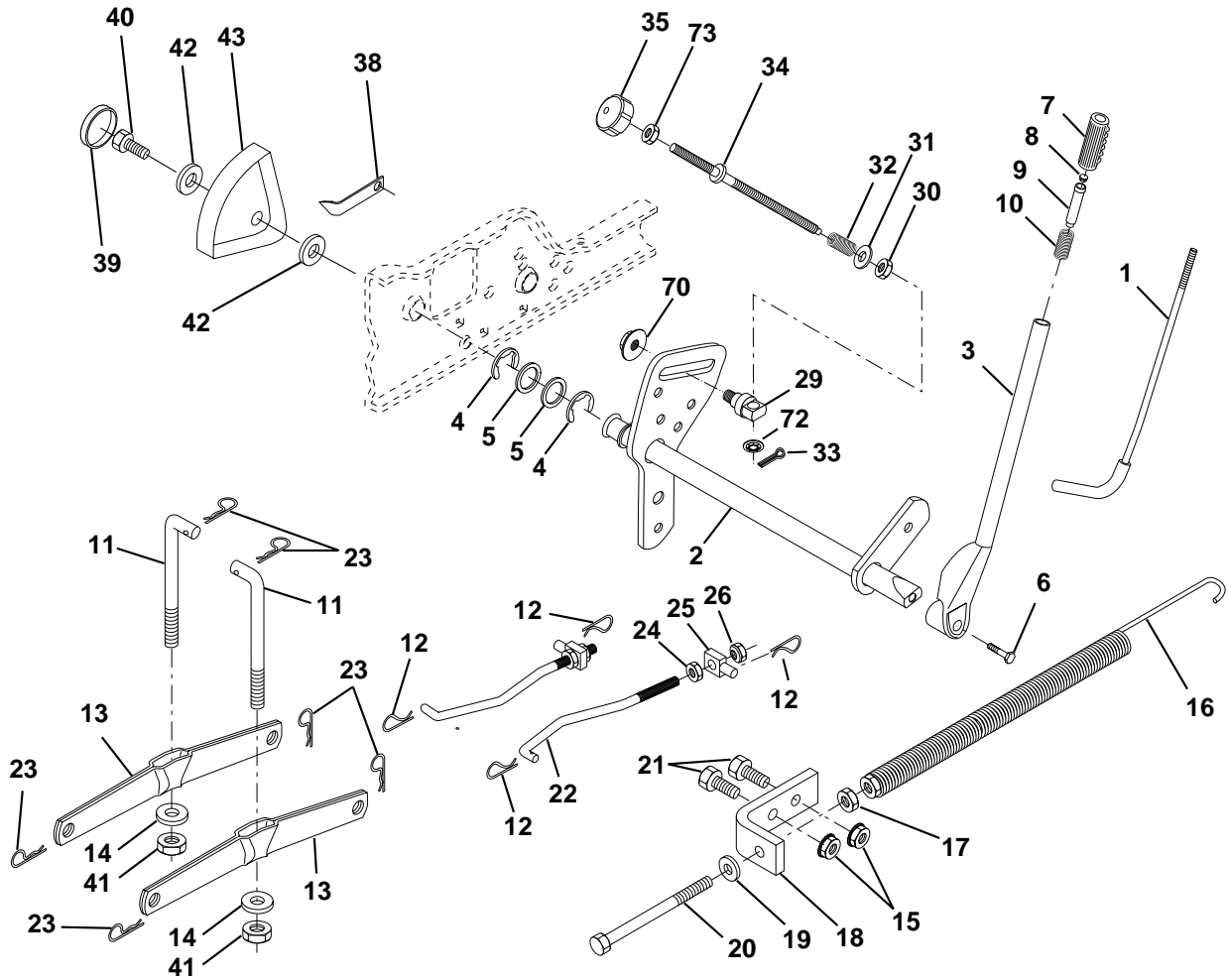
KEY NO.	PART NO.	DESCRIPTION
1	532059192	Cap, Valve, Tire
2	532065139	Stem, Valve
3	532144509	Rim Assembly, Front
4	532008134	Tube, Front (Service Item Only)
5	532106230	Tire, Front
6	532124860	Fitting, Grease
7	532124959	Bearing, Flange (Front Wheel Only)
8	532104757	Cap, Hub, Axle Blk.
9	532105588	Tire, Rear
10	532007154	Tube, Rear (Service Item Only)
11	532144510	Rim Assembly, Rear
12	532124957	Fitting, Grease
--	532144334	Sealant, Tire (10 oz. Tube)

NOTE: All component dimensions given in U.S. inches
1 inch = 25.4 mm

REPAIR PARTS

TRACTOR - MODEL NO. GTH225 (954140103A), PRODUCT NO. 954 14 01-03

LIFT ASSEMBLY



KEY NO.	PART NO.	DESCRIPTION
1	532121006	Rod Asm., Lever
2	532159187	Shaft Asm., Lift Vgt
3	532159189	Lever Asm., Lift Rh
4	812000022	E-Ring Truarc#5133-87
5	532171182	Washer 29/32 x 1-1/4 x 16 Ga.
6	532171362	Bolt, Fin Hex 3/8-16 x 1-1/2
7	532125631	Grip, Handle Fluted
8	532124526	Button, Plunger
9	532122364	Plunger, Lever Lift
10	532124874	Spring 2-1/8"
11	532146704	Link Lift
12	532171212	Retainer, Spring
13	532139868	Arm, Suspension Vgt
14	532140302	Bearing
15	532171168	Nut, Crownlock 3/8-16 Unc
16	532124687	Spring Asm., Assist Lift
17	532171357	Nut, Hex Jam 3/8-16 Unc
18	532143363	Bracket, Spring Assist
19	532171140	Washer 13/32 x 13/16 x 16 Ga.
20	532171418	Bolt, Adjust Spring Assist
21	532171339	Bolt, Fin Hex 3/8-16 x 1
22	532127218	Link, Front

KEY NO.	PART NO.	DESCRIPTION
23	532171211	Retainer, Spring
24	873350800	Nut, Jam Hex 1/2-13 Unc
25	532130171	Trunnion
26	873680800	Nut, Crownlock 1/2-13 Unc
29	532171203	Trunnion, Infin Height
30	532171355	Nut, Special
31	532171207	Washer 13/32 x 5/8 x 16 Ga.
32	532137150	Spring, Compression Inf Hgt
33	532171359	Pin, Cotter 3/32 x 1/2
34	532171353	Rod, Adj Lift
35	532138057	Knob, Inf 3/8-16 Unc
38	532155097	Pointer, Height Indicator
39	532123935	Plug, Hole
40	532171210	Screw 5/16-18 x 1
41	873540600	Nut, Crownlock 3/8-24
42	532171209	Washer 11/32 x 1-1/2 x 10 Ga.
43	532123934	Scale, Indicator Height
70	532171178	Nut Hex Flange Lock
72	532110452	Nut Push Phos & Oil
73	532171357	Nut Hex Jam 3/8-16 Unc

NOTE: All component dimensions given in U.S. inches
1 inch = 25.4 mm

REPAIR PARTS

TRACTOR - MODEL NO. GTH225 (954140103A), PRODUCT NO. 954 14 01-03

MOWER DECK

KEY NO.	PART NO.	DESCRIPTION	KEY NO.	PART NO.	DESCRIPTION
1	532164212	Deck Asm., Mower 46"	44	532133943	Washer, Hardened
3	532138457	Bracket Asm., Sway Bar	45	532145059	Cover, Mandrel Deck
5	532171211	Retainer Spring	46	532171253	Screw, Thdroll. 1/4-20 x 5/8
6	532130832	Arm, Suspension, Rear (Sway Bar)	47	532144959	V-Belt, Mower, Secondary
8	532850857	Bolt, Patched 3/8-24 x 1-1/4 Gr. 8	48	532148763	V-Belt, Mower, Primary
9	532171241	Washer, Lock Hvy., Unplated 3/8	49	532171168	Nut, Crownlock 3/8-16 UNC
10	532140296	Washer, Hard Blade, Mower Vented	50	532171180	Bolt, Carriage 3/8-16 x 1-1/2 Gr. 5
11	532163819	Blade, 46" Mulching	51	532153390	Washer Felt
12	532129895	Bearing, Ball, Mandrel #6204	52	532156493	Pulley Idler Flat 46 PRI drive
13	532137553	Shaft Asm. w/Lower Bearing (Includes Key No. 12)	56	532155986	Bar Pnt Adjusting Wheel Gauge
14	532137152	Housing, Mandrel	57	532171386	Pin Head Rivet
15	532110485	Bearing, Ball, Mandrel	90	532171375	Bolt Fin Hex 3/8-16 x 1
16	532140329	Stripper, Mower Round	91	532132274	Bracket Asm Noseroller LH
18	532171380	Bolt, Carriage 5/16-18 x 5/8	92	532171141	Nut Crownlock 3/8-16 UNC
19	532171252	Bolt, Hex Head, Shoulder 5/16-18	93	532171389	Washer 17/32 x 7/8 x 16 Ga.
20	532145055	Baffle, Vortex Mower 46"	94	532132264	Roller Nose
21	532171248	Nut, Crownlock 5/16-18 UNC	95	532132273	Bracket Asm Noseroller RH
22	532134753	Stiffener, Bracket	101	532145579	Cover, Mulching
23	532131267	Bracket, Deflector	102	871161010	Screw
24	532105304	Cap, Sleeve	103	810071000	Washer, Lock #10
25	532149287	Spring, Torsion, Deflector	104	819061216	Washer
26	532110452	Nut, Push	105	532160793	Latch Asm. Mulch/Bagger
27	532171384	Deflector Clipping Shield	106	532125004	Nut, Weld
28	532171222	Washer 11/32 x 5/8 x 16 Ga.	116	532171254	Bolt, Shoulder
29	532171385	Rod, Hinge	117	532133957	Gauge Wheel, Wide
30	532171244	Screw, Thdroll Washer Hd	118	532171255	Nut, Centerlock 3/8-16 UNC
31	532171245	Washer, Spacer Mower Vented	119	532171256	Washer 3/8 x 7/8 x 14 Ga.
32	532153531	Pulley, Mandrel	126	532144948	Arm, Idler, Primary Deck 46"
33	532171246	Nut, Flg. Top Lock Cntr. 9/16	127	532146763	Pulley, Idler, V-Groove Dim. 4.25
34	532144945	Anchor, Spring Deck 46"	129	532153183	Reinforcement Mandrel Ring
35	532171382	Screw, Thdroll 3/8-16 x 1-3/4 Tytt	--	532143651	Mandrel Asm 44"/50" Service (Includes Key No.s 8-10, 12-15, 31 and 33)
36	532171140	Washer 13/32 x 13/16 x 16 Ga.	--	532177107	Deck Complete (Std. Deck-Order separately mulcher plate and gauge wheel components Key Nos. 101-106 and 116-118)
37	532131494	Pulley, Idler, Flat			
38	532156086	Keeper, Belt, Idler			
39	532144917	Pulley, Idler, Driven			
40	532137273	Spring, Secondary 44/46/50 Vent			
41	532171173	Screw 3/8-16 x 1-1/4			
42	532165723	Spacer, Retainer Mower			
43	532144949	Arm, Idler Secondary			

NOTE: All component dimensions given in U.S. inches
1 inch = 25.4 mm