

For Husqvarna Parts Call 606-678-9623 or 606-561-4983

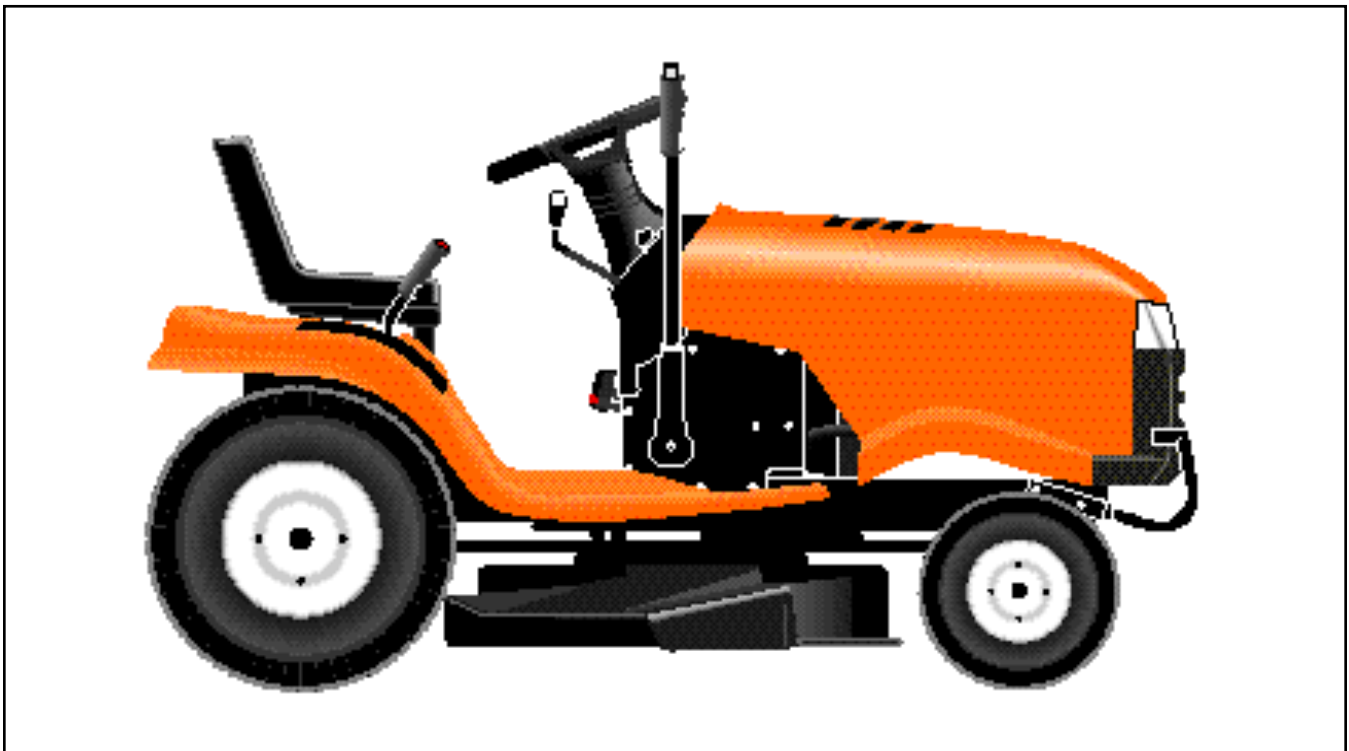


Illustrated Parts
List

1999-10

19902044

YTH 180



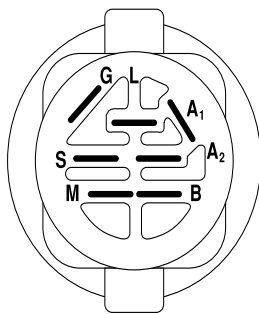
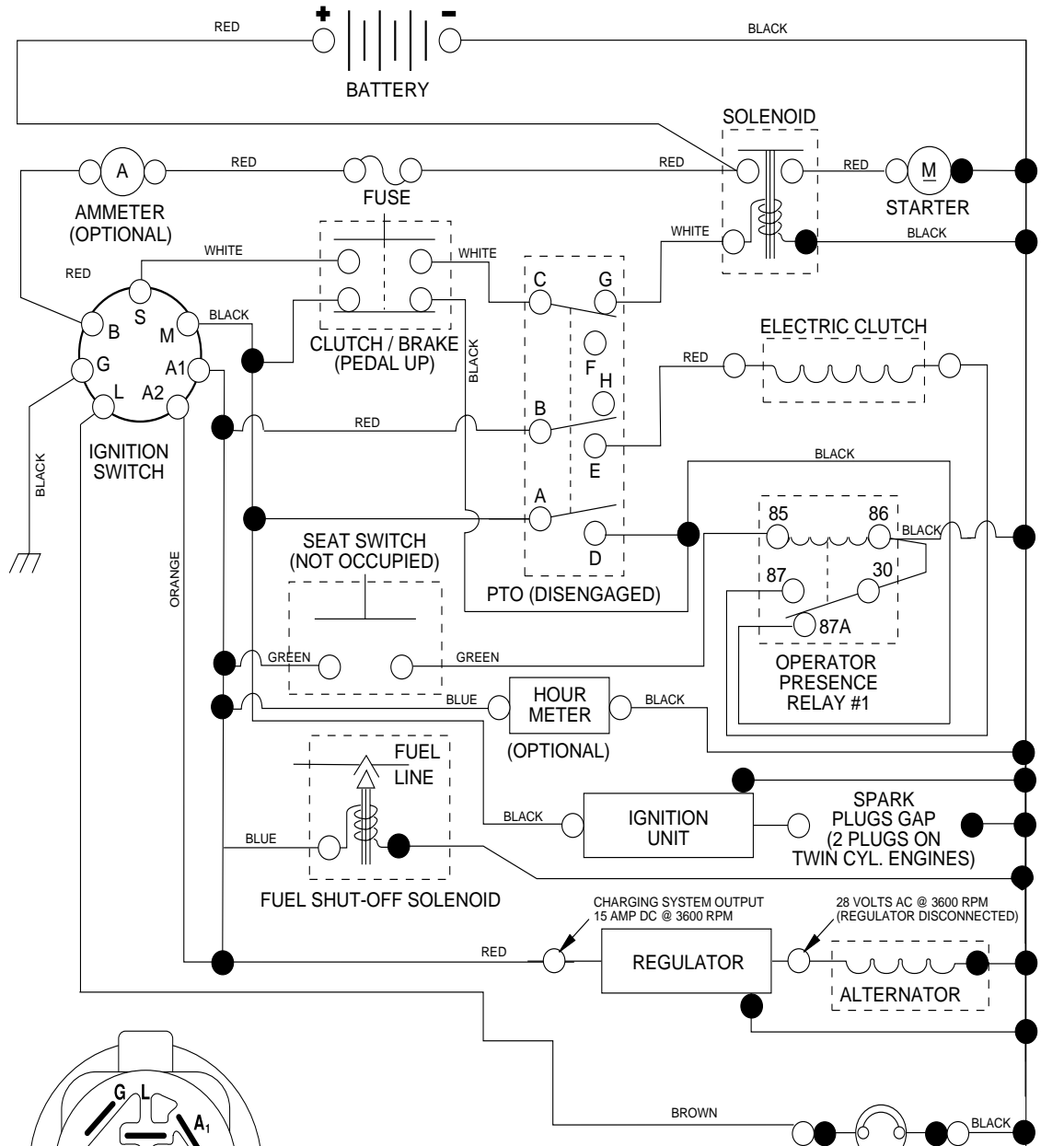
954140109A

For Husqvarna Parts Call 606-678-9623 or 606-561-4983

REPAIR PARTS

TRACTOR - MODEL NO. YTH180 (954140109A), PRODUCT NO. 954 14 01-09

SCHEMATIC



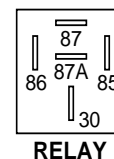
IGNITION SWITCH

POSITION	CIRCUIT	"MAKE"
OFF	M+G+A1	NONE
RUN/LIGHT	B+A1	A2+L
RUN	B+A1	NONE
START	B + S + A1	NONE

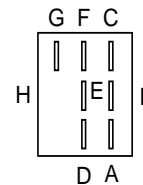
WIRING INSULATED CLIPS
NOTE: IF WIRING INSULATED CLIPS WERE REMOVED FOR SERVICING OF UNIT, THEY SHOULD BE REPLACED TO PROPERLY SECURE YOUR WIRING.

PTO SWITCH	
POSITION	CIRCUIT
OFF	C + G, B + H
ON	C + F, B + E, A + D

● NON-REMOVABLE CONNECTIONS
 ○ REMOVABLE CONNECTIONS



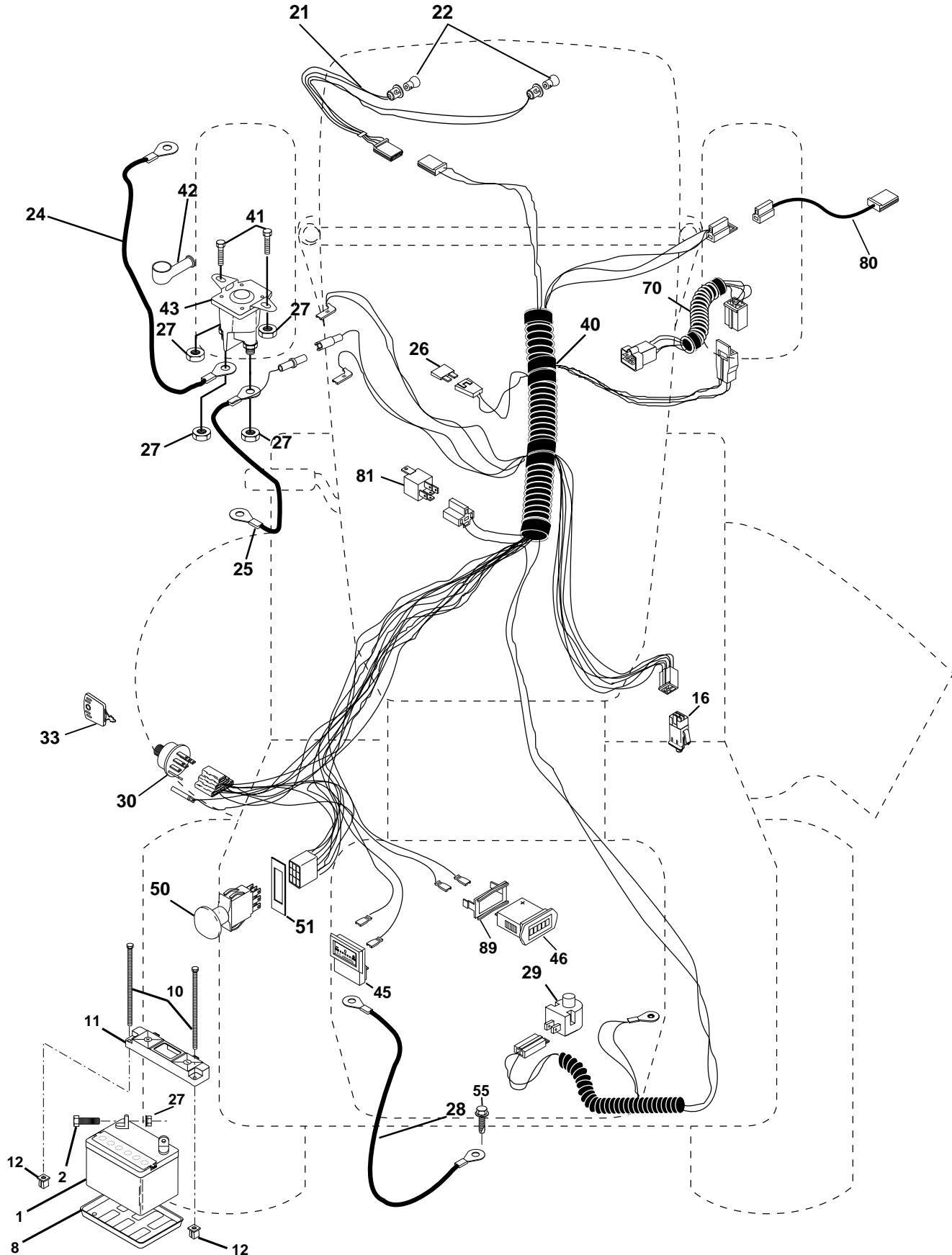
RELAY



For Husqvarna Parts Call 606-678-9623 or 606-561-4983 REPAIR PARTS

TRACTOR - MODEL NO. YTH180 (954140109A), PRODUCT NO. 9541401-09

ELECTRICAL



For Husqvarna Parts Call 606-678-9623 or 606-561-4983

REPAIR PARTS

TRACTOR - MODEL NO. YTH180 (954140109A), PRODUCT NO. 9541401-09

ELECTRICAL

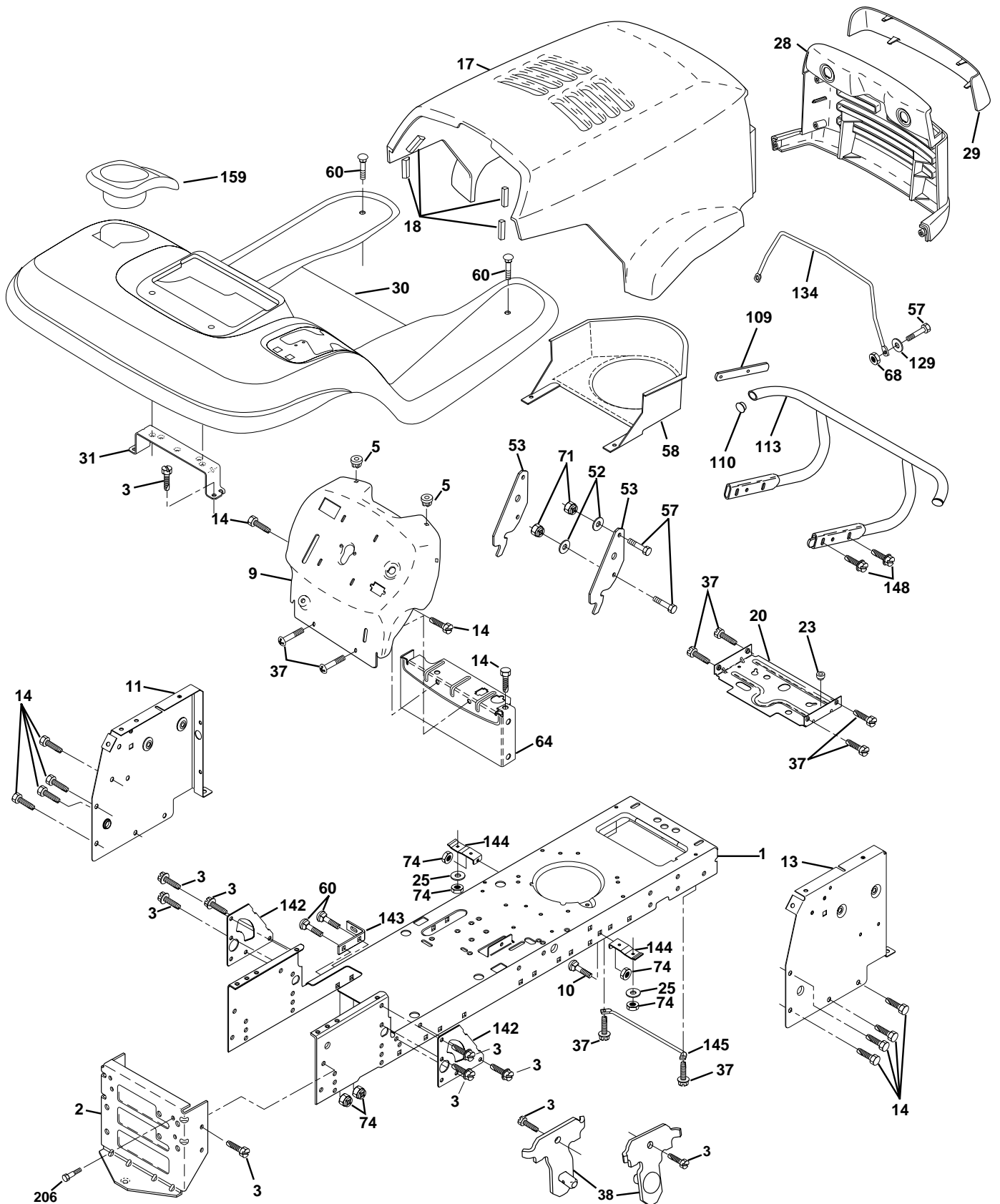
KEY NO.	PART NO.	DESCRIPTION
1	532144927	Battery 12 Volt 35 AMP
2	874760412	Bolt Hex Hd 1/4-20unc X 3/4
8	532124886	Tray Battery
10	532145211	Bolt Brt Frt 1/4-20 x 75 Ainc
11	532150109	Holddown Battery Front Mount
12	532145769	Nut Push Nylon 1/4" Battery Frt
16	532153664	Switch Interlock Push-In
20	873350400	Nut Jam Hex 1/4-20 Unc
21	532166181	Harness Asm Light W/4152j
22	532004152	Bulb Light #1156
24	532124780	Cable Battery 6 Ga 11" red
25	532146148	Cable Battery 6 Ga 22" red w/16 wire
26	532166180	Fuse 15 AMP
27	873510400	Nut Keps Hex 1/4-20 Unc
28	532145491	Cable Ground 6 Ga 21" black
29	532160784	Switch Plunger Nc Gray
30	532163968	Switch Ign
33	532140401	Key Ign Molded Generic
40	532170221	Harness Ign.
41	871110408	Bolt Blk Fin Hex 1/4 - 20 x 1/2
42	532131563	Cover Terminal Red
43	532145673	Solenoid
45	532122822	Ammeter Rectangular 15 Amp
46	532169635	Meter Hour
50	532169417	Switch PTO 3 PDT Black Delta
51	532140405	Ring Retainer TTO
55	817490508	Screw Thdrol 5/16-18 x 1-1/2 Tyt
70	532170251	Harness, Eng.
80	532146685	Harness Clutch Evx
81	532109748	Relay Asm.
89	532169639	Bracket Snap-In Hourmeter

NOTE: All component dimensions given in U.S. inches.
1 inch = 25.4 mm.

For Husqvarna Parts Call 606-678-9623 or 606-561-4983 REPAIR PARTS

TRACTOR - MODEL NO. YTH180 (954140109A), PRODUCT NO. 954 14 01-09

CHASSIS AND ENCLOSURES



For Husqvarna Parts Call 606-678-9623 or 606-561-4983

REPAIR PARTS

TRACTOR - MODEL NO. YTH180 (954140109A), PRODUCT NO. 954 14 01-09

CHASSIS AND ENCLOSURES

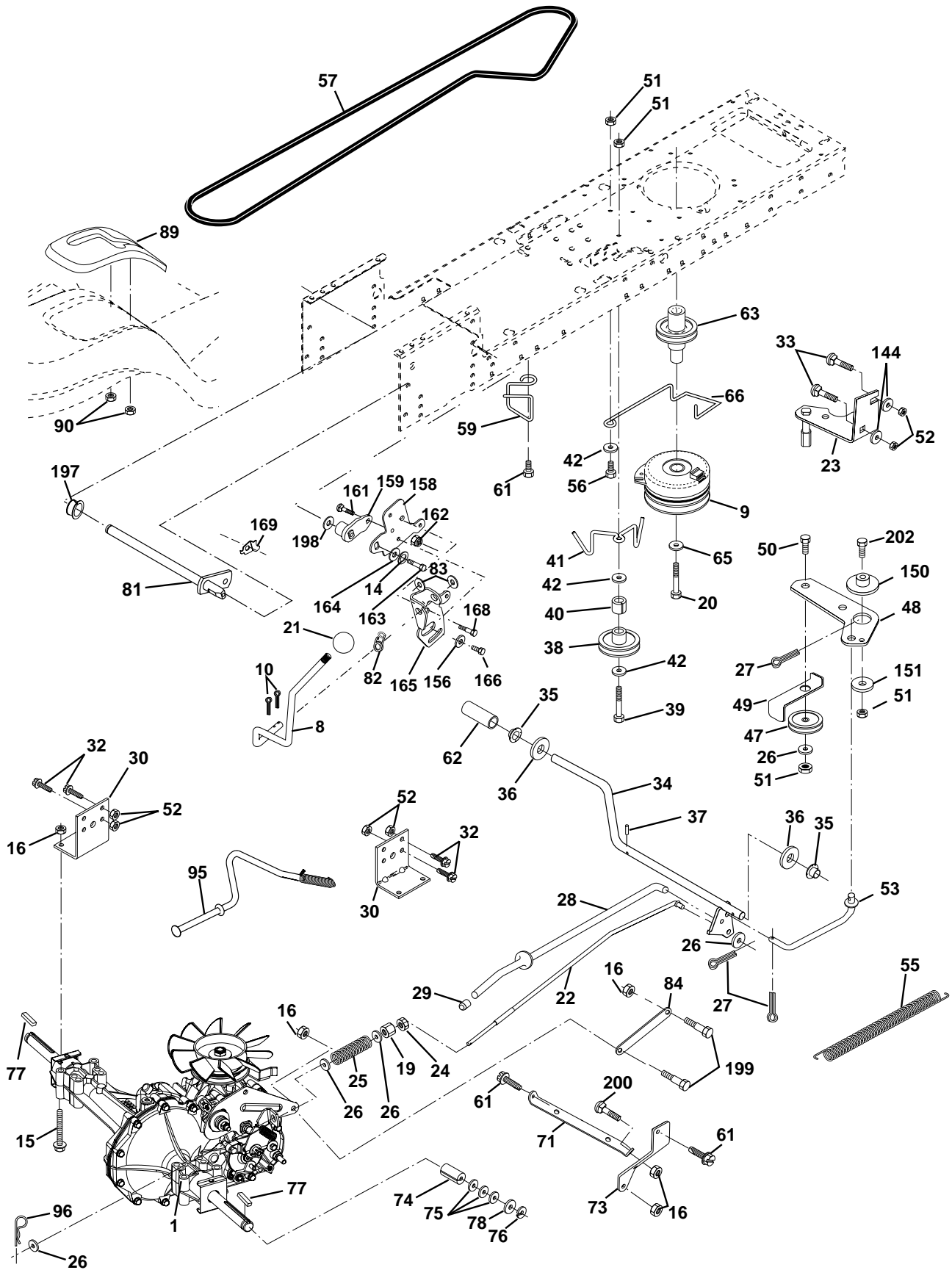
KEY NO.	PART NO.	DESCRIPTION
1	532169830	Chassis
2	532169061	Drawbar,
3	817060612	Screw 3/8-16x3/4
5	532155272	Bumper Hood/Dash
9	532171682	Dash Silkscr
10	872140608	Bolt Carriage 3/8-16 x 1
11	532155927	Panel Dash Lh
13	532169115	Panel Dash Rh
14	817490608	Screw Thdrol 3/8-16x1/2 Ty-tt
17	532165378	Hood LT/PL Husqvarna
18	532126938	Bumper, Hood
20	532156437	Plate Mtg Battery Fuel Tank Fr
23	532124028	Bushing
25	819131312	Washer 13/32 X 13/16 X 12 Ga
26	873800600	Nut Lock Hex W/Ins 3/8-16 Unc
28	532165379	Grille LT/PL Husqvarna
29	532165380	Lens LT/PL Husqvarna
30	532171625	Fender Footrest STLT Pnt
31	532139976	Bracket Support Fender
37	817490508	Screw Thdrol 6/16-18 x 1/2 TYT
38	532169834	Bracket Asm Pivot Mower Rear
52	819091416	Washer 9/32 x 7/8 x 16 Ga.
53	532150067	Bracket Pnt. Pick off LT/PL Husqvarna
57	874780412	Bolt Hex 1/4-20 x 3/4
58	532151171	Air Duct Engine CV18
60	872140606	Bolt Rdhd Sqnk 3/8-16unc x 3/4
64	532154798	Dash Lower STLT
68	873510400	Nut Keps Hex 1/4-20 Unc
71	873680400	Nut Crownlock 1/4-20 Unc
74	873680600	Nut Crownlock 3/8-16 UNC
109	532170310	Bracket Extension Bumper
110	532143679	Plug Plastic
113	532170311	Bumper Asm.
129	819091016	Washer 9/32 x 5/8 x 16 Ga.
134	532160219	Rod Support Hood LT/PL Husq.
142	532165867	Plate Reinforcement STLT
143	532154966	Bracket Swaybar Chassis
144	532154207	Bracket Pnt Footrest STLT
145	532156524	Rod Pivot Chassis/Hood
148	817060620	Screw 3/8-16 x 1-1/4
159	532166508	Cup Holder STLT Grey
206	532170165	Bolt Shoulder 5/16-18 TT

NOTE: All component dimensions given in U.S. inches
1 inch = 25.4 mm

For Husqvarna Parts Call 606-678-9623 or 606-561-4983 REPAIR PARTS

TRACTOR - MODEL NO. YTH180 (954140109A), PRODUCT NO. 9541401-09

DRIVE



For Husqvarna Parts Call 606-678-9623 or 606-561-4983

REPAIR PARTS

TRACTOR - MODEL NO. YTH180 (954140109A), PRODUCT NO. 954 14 01-09

DRIVE

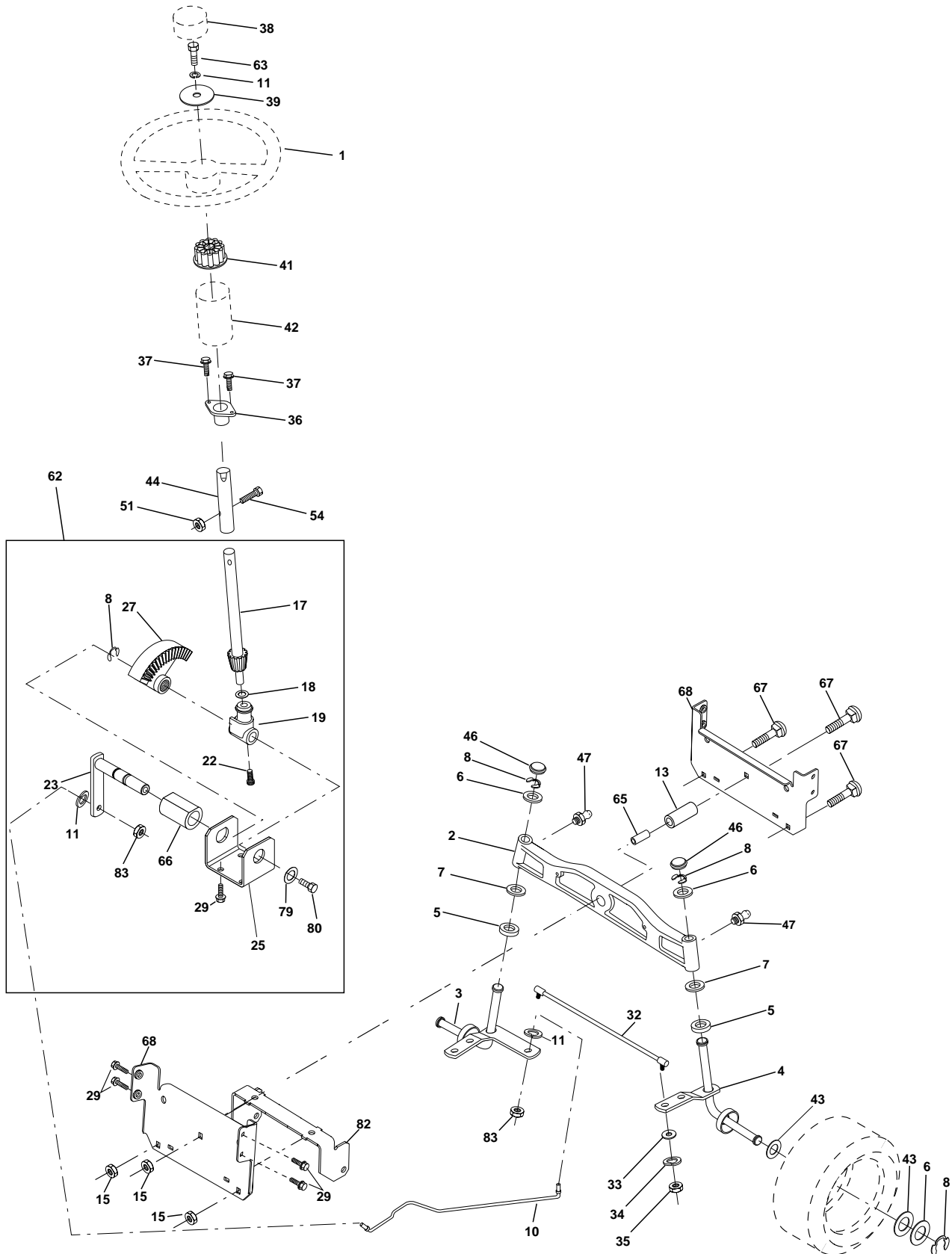
KEY NO.	PART NO.	DESCRIPTION	KEY NO.	PART NO.	DESCRIPTION
1	-----	Transaxle, Hydro 314-0510 (Order Parts From Transaxle Manufacturer)	61	817060612	Screw 3/8-16 x 3/4
8	532165866	Rod Shift Fender Adjust STLT	62	532124872	Cover, Pedal
9	532160889	Clutch Electric	63	532145868	Pulley, Engine
10	876020416	Pin Cotter 1/8 x 1 CAD	65	810040700	Washer Lock Hvy HLCL Spr 7/16
14	810040400	Washer Lock Hvy Helical	66	532154778	Keeper Belt Engine
15	874490544	Bolt Hex 5/16-18 Unc Flghd	71	532169183	Strap Torque Lh Hydro
16	873800500	Nut Lock Hex W/Ins. 5/16-18 Unc P	73	532169182	Strap Torque Rh Hydro
19	873800600	Nut Lock Hex W/Ins 3/8-16 Unc	74	532169496	Spacer, Axle
20	532150280	Bolt, Hex 7/16-20 x 4-1/4 Ga. 5	75	532121749	Washer 25/32 x 1-1/4 x 16 Ga.
21	532140845	Knob Deluxe 1/2-13 UNC BLK/BLK	76	812000001	E-Ring
22	532169498	Rod, Brake Hydro	77	532123583	Key, Square
23	532171258	Bracket Asm Mtg CL	78	532121748	Washer 25/32 x 1-5/8 x 16 Ga
24	873350600	Nut Hex Jam 3/8-16 UNC	81	532165596	Shaft Asm Cross Tapered
25	532106888	Spring, Brake Rod	82	532165711	Spring Torsion T/A
26	819131316	Washer	83	819171216	Washer 17/32 x 3/4 x 16 Ga.
27	876020412	Pin Cotter 1/8 x 3/4 CAD.	84	532169594	Link Transaxle
28	532145204	Rod, Parking Brake	89	532166510	Console, Shift Hydro STLT
29	532071673	Cap, Parking Brake	90	532124346	Nut Self-Thd Wsh-Hd 1/4 Zinc
30	532130807	Bracket, Transaxle	95	532170201	Control Asm. Bypass Hydro
32	874760512	Bolt Hex Hd 5/16-18 Unc x 3/4	96	532124788	Retainer Spring 1" Zinc/Cad
33	872140506	Bolt Carriage 5/16-18 UNC x 3/4	144	819111016	Washer 11/32 x 5/8 x 16 Ga.
34	532155071	Shaft, Foot Pedal	150	532165850	Bushing Bellcrank Grd Drive
35	532120183	Bearing, Nylon	151	819133210	Washer 13/32 x 2 x 10 Ga.
36	819211616	Washer	156	532166002	Washer Srrted 5/16ID x 1.125
37	532124963	Pin, Roll	158	532165589	Bracket Shift Mount
38	532131494	Pulley, Idler, Flat	159	532165494	Hub Tapered Flange Shift Lt
39	872110622	Bolt	161	872140406	Bolt Rdhd Sqnk 1/4-20 x 3/4 Gr 5
40	532124965	Spacer Split	162	873680400	Nut Crownlock 1/4-20 Unc
41	532165838	Keeper, Belt Idler	163	874780416	Bolt Hex Fin 1/4-20 Unc x 1 Gr 5
42	819131312	Washer 13/32 x 13/16 x 12 Ga	164	819091010	Washer 5/8 x .281 x 10 Ga
47	532127783	Pulley, Idler, V-Groove Plastic	165	532165623	Bracket Pivot Lever
48	532154407	Bellcrank Clutch Grnd Drv STL	166	532166880	Screw 5/16-18 x 5/8
49	532123205	Retainer, Belt Style Spring	168	532165492	Bolt Shoulder 5/16-18 x .561
50	872110612	Bolt	169	532165580	Plate Fastening STLT/CRD
51	873680600	Nut	197	532169613	Nyliner Snap 5/8" ID
52	873680500	Nut Crown Lock 5/16-18	198	532169593	Washer Nyl 7/8 ID x .105 Hyd
53	532105710	Link, Clutch	199	532169612	Bolt Shoulder 5/16-18 Unc
55	532105709	Spring, Return, Clutch	200	532078051	Bolt Rdhd Sq Neck Unc
56	874760620	Bolt, Fin Hex 3/8-16 UNC x 1 1/4	201	817490612	Screw Thdrol 3/8-16 x 3/4
57	532140294	V-Belt, Ground Drive			
59	532140312	Keeper, Center Span			

NOTE: All component dimensions given in U.S. inches
1 inch = 25.4 mm

For Husqvarna Parts Call 606-678-9623 or 606-561-4983 REPAIR PARTS

TRACTOR - MODEL NO. YTH180 (954140109A), PRODUCT NO. 9541401-09

STEERING ASSEMBLY



For Husqvarna Parts Call 606-678-9623 or 606-561-4983

REPAIR PARTS

TRACTOR - MODEL NO. YTH180 (954140109A), PRODUCT NO. 954 14 01-09

STEERING ASSEMBLY

KEY NO.	PART NO.	DESCRIPTION
1	532166627	Wheel Steering
2	532165854	Axle Cast Lt Machined
3	532169840	Spindle Asm LH
4	532169839	Spindle Asm RH
5	532124931	Bearing Race Thrust Harden
6	532121748	Washer 25/32 X 1-5/8 X 16 Ga
7	819272016	Washer 27/32 X 1-1/4 X 16 Ga
8	812000029	Ring Klip #t5304-75
10	532169832	Link Drag
11	810040600	Washer Lock Hvy Hlcl Spr 3/8
13	532136518	Spacer Brg Axle Front
15	532145212	Nut Hex Flange Lock
17	532156546	Shaft Asm Strg
18	532057079	Washer Thrust 515x 750x 033
19	532160395	Support Shaft
22	532165857	Screw Hex Wshhd Torx
23	532165851	Shaft Asm Pittman
25	532154406	Bracket Steering
27	532136874	Gear Sector
29	817060612	Screw 3/8-16x3/4
32	532139929	Rod Tie Ball J
33	819111216	Washer 11/32 x 3/4 x 16 Ga.
34	810040500	Washer Lock Hvy Helical 5/16
35	873680500	Nut Crown Lock 5/16-18
36	532155099	Bushing Strg
37	532152927	Screw
38	532166626	Insert Cap Strg Wh
39	819132411	Washer 13/32 x 1-1/20 x 11 Ga
41	532159945	Adaptor Wheel Strg
42	532169634	Boot Steering Shaft
43	532121749	Washer 25/32 X 1 1/4 X 16 Ga
44	532153720	Extension Steering Shaft LR/LT
46	532121232	Cap Spindle Fr Top Blk
47	532124836	Fitting Grease
51	873800500	Nut Lock Hex w/Ins 5/16-18
54	874780520	Bolt Fin Hex 5/16-18 Unc x 1-1/4
62	532167902	Kit, Steering Assembly Svc
63	874780616	Bolt Fin Hex 3/8-16unc x 1 Gr. 5
65	532160367	Spacer Brace Axle
66	532154404	Bearing Arm Pittman
67	872110618	Bolt Rdhd Sqnk 3/8-16 x 2-1/4
68	532169827	Axle, Brace
79	819132012	Washer 13/32 x 1-1/4 x 12 Ga
80	874950612	Bolt Hex Nylon 3/8-16 x 3/4
82	532169835	Bracket Susp Chassis Front
83	532124701	Lock nut

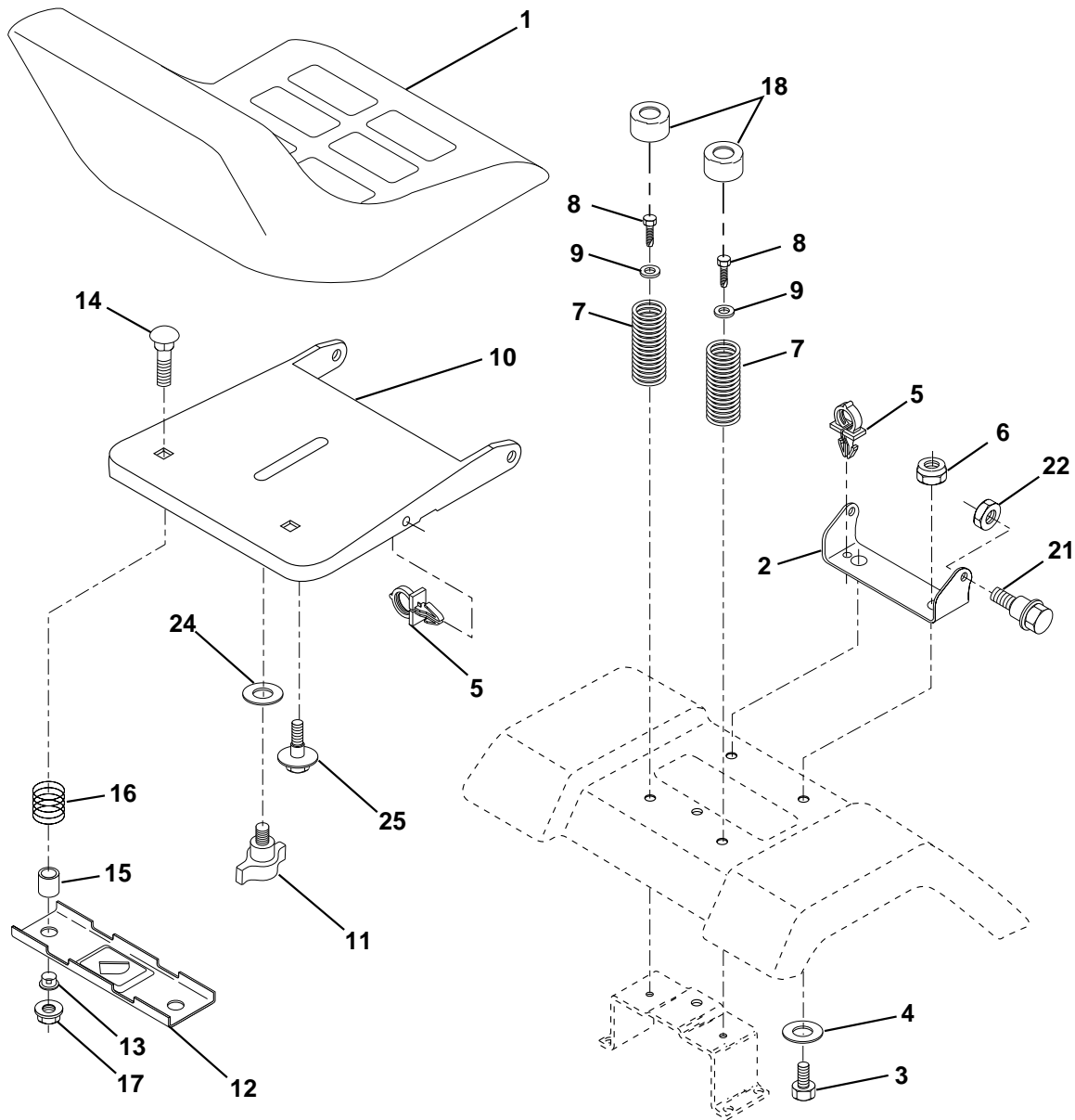
NOTE: All component dimensions given in U.S. inches.
1 inch = 25.4 mm.

For Husqvarna Parts Call 606-678-9623 or 606-561-4983

REPAIR PARTS

TRACTOR - MODEL NO. YTH180 (954140109A), PRODUCT NO. 9541401-09

SEAT ASSEMBLY



KEY PART NO. NO.

DESCRIPTION

1	532140840	Seat
2	532140551	Bracket Pivot Seat 8 720
3	874760616	Bolt Fin Hex 3/8-16unc X 1
4	819131610	Washer 13/32 X 1 X 10 Ga
5	532145006	Clip Push-In
6	873800600	Nut Hex w/Ins. 3/8-16 Unc
7	532124181	Spring Seat Cprsn 2 250 Blk Zi
8	817060616	Screw Thdrol 3/8-16 X 1-1/2
9	819131614	Washer 13/32 X 1 X 14 Ga.
10	532155925	Pan Seat
11	532166369	Knob Seat Adj Wingnut
12	532121246	Bracket Mounting Switch

KEY PART NO. NO.

DESCRIPTION

13	532121248	Bushing Snap Blk Nyl 50 Id
14	872050412	Bolt Rdhd Sqnk 1/4-20x1-1/2
15	532121249	Spacer Split 28 x .88 Zinc
16	532123740	Spring Cprsn Plate
17	532123976	Nut Lock 1/4 Lge Flg Gr 5 Zinc
18	532124238	Cap Spring Seat
21	532153236	Bolt Shoulder 5/16-18 Unc
22	873800500	Nut Hex Lock W/Ins 5/16-18
24	819171612	Washer 17/32 X 1 X 12 Ga.
25	532127018	Bolt Shoulder 5/16-18 X 62

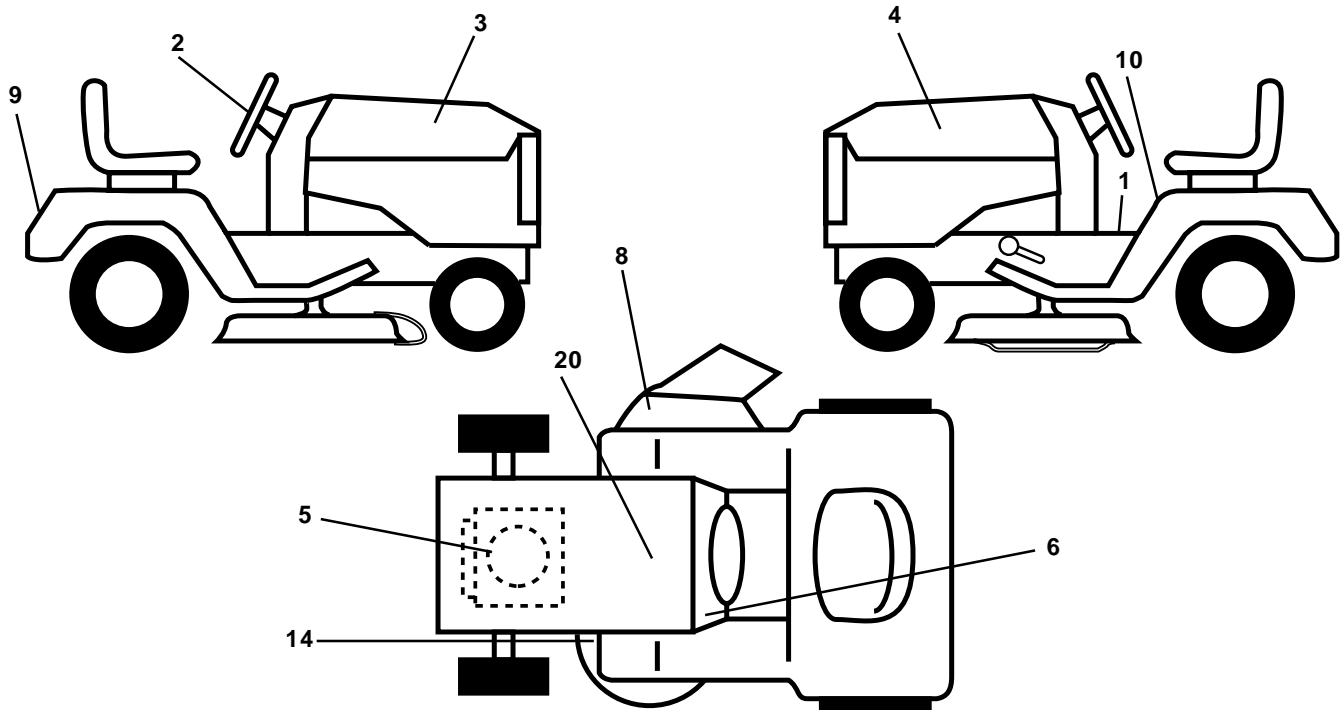
NOTE: All component dimensions given in U.S. inches.
1 inch = 25.4 mm

For Husqvarna Parts Call 606-678-9623 or 606-561-4983

REPAIR PARTS

TRACTOR - MODEL NO. YTH180 (954140109A), PRODUCT NO. 954 14 01-09

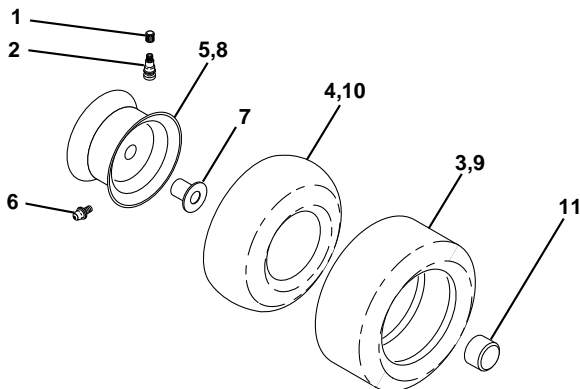
DECALS



KEY NO.	PART NO.	DESCRIPTION
1	532157032	Decal Oper Step Thru E/F
2	532170564	Decal Strg Wheel Logo
3	532150727	Decal Hood RH
4	532150728	Decal Hood LH
5	532166104	Decal Engine
6	532171458	Decal Dash Logo
8	532137259	Decal Warning
9	532150617	Decal Fender Husq

KEY NO.	PART NO.	DESCRIPTION
10	532157140	Decal Fender Danger E/F
14	532160397	Decal V-Belt Schematic
20	532145005	Decal Bat Dan/Psn
--	532169210	Decal By Pass Lt Hydro
--	532171284	Pad Footrest LH STLT
--	532171285	Pad Footrest RH STLT
--	532138311	Decal Handle Lft Height Adjust
--	532171562	Manual Owner's (English)
--	532171563	Manual Owner's (French)

WHEELS & TIRES



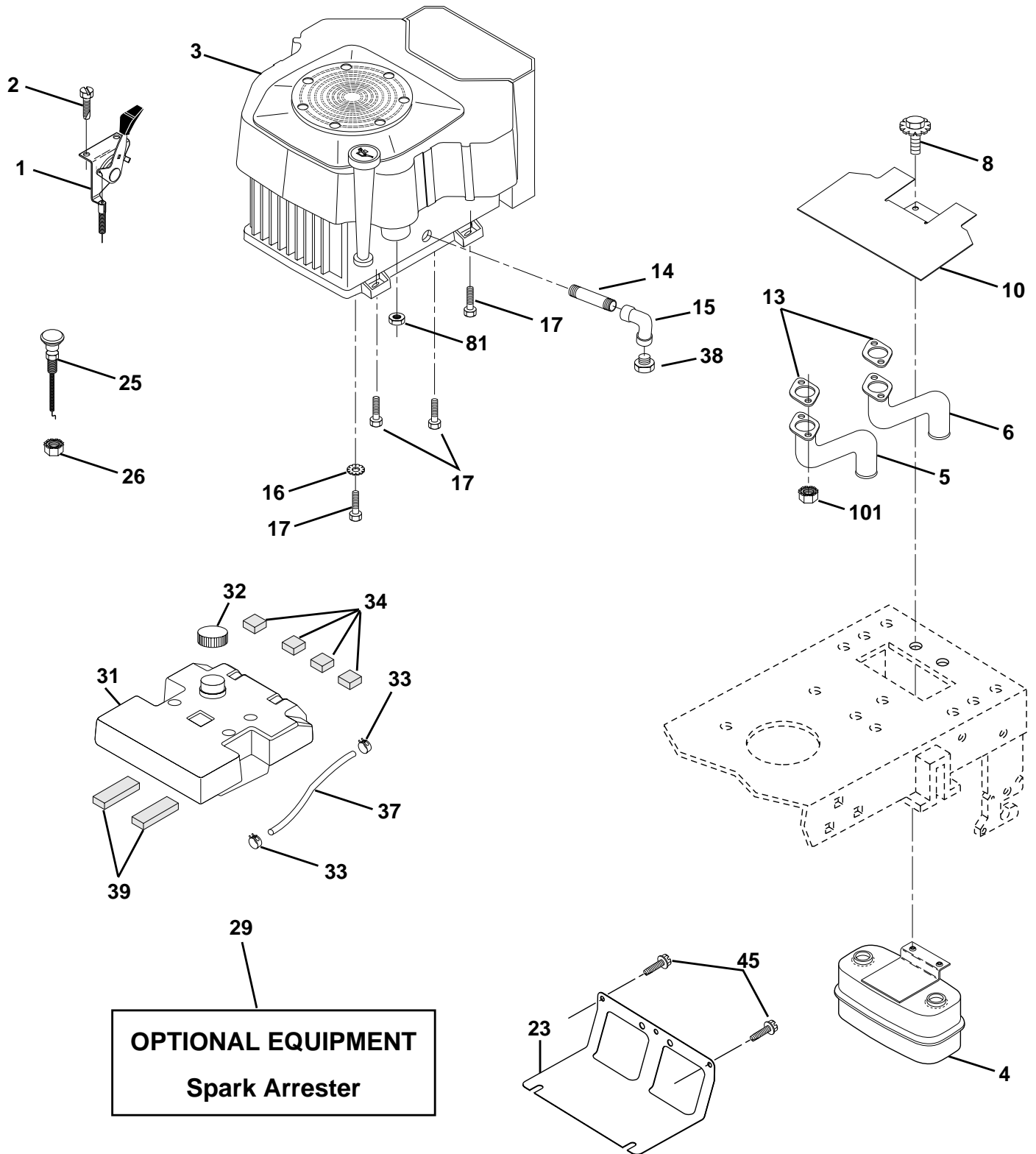
KEY NO.	PART NO.	DESCRIPTION
1	532059192	Cap Valve Tire
2	532065139	Stem Valve
3	532106222	Tire F Ts 15 X 6 0 - 6 Service
4	532059904	Tube Front (Service Item Only)
5	532138336	Rim Asm 6"front Silver Service
6	532124957	Fitting Grease (Front Wheel Only)
7	532124959	Bearing Flange (Front Wheel Only)
8	532138337	Rim Asm 8"rear Silver Service
9	532122082	Tire R Ts 20x10-8 C Service
10	532124926	Tube Rear (Service Item Only)
11	532104757	Cap Axle Blk 1 50 X 1 00
--	532144334	Sealant, Tire (10 oz. Tube)

NOTE: All component dimensions given in U.S. inches
1 inch = 25.4 mm

For Husqvarna Parts Call 606-678-9623 or 606-561-4983 REPAIR PARTS

TRACTOR - MODEL NO. YTH180 (954140109A), PRODUCT NO. 954 1401-09

ENGINE



For Husqvarna Parts Call 606-678-9623 or 606-561-4983

REPAIR PARTS

TRACTOR - MODEL NO. YTH180 (954140109A), PRODUCT NO. 954 14 01-09

ENGINE

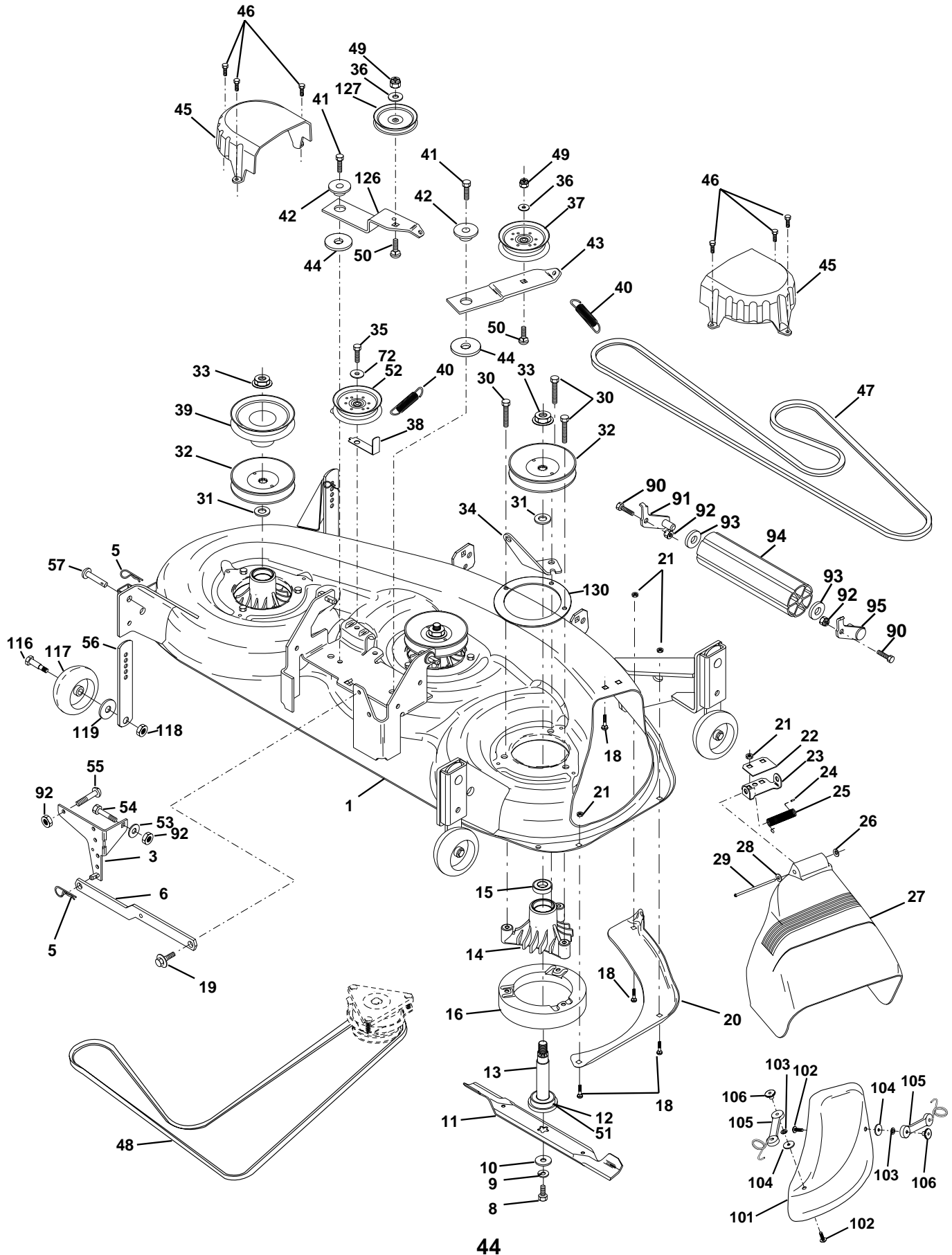
KEY NO.	PART NO.	DESCRIPTION
1	532155274	Control Throt Flg 180 LH
2	817720410	Screw Hex Thd Cut 1/4-20x5/8 T
3	-----	Engine, Model Kohler CV18S (Order Parts From Engine Manufacturer)
4	532149723	Muffler Asm Twin Lo-Tone
5	532146699	Pipe Exhaust CV18/20 LH
6	532146700	Pipe Exhaust CV18/20 RH
8	532150176	Bolt 5/16-18unc x 3/4 W/Sems
10	532146629	Shield Heat Muffler CV18/20
13	532163307	Gasket Kohler CV18-CV26
14	813280336	Nipple Pipe 3/8 Npt X 4-1/2"
15	813200300	Elbow Std 90 Degree 3/8-18 Npt
16	811050600	Washer Lock Ext Tooth 3/8
17	817490624	Screw Thdrol 3/8-16 x 1-1/2
23	532169837	Shield Browning
25	532145996	Choke Control 37"
26	873920600	Nut, Keps 3/8-24 Unf
29	532137180	Kit Spark Arrestor (Flat Scrn)
31	532157103	Tank Fuel 3 50 Rear
32	532140527	Cap Asm Fuel Top N/Lany Vented
33	532123487	Clamp Hose Blk
34	532106082	Pad, Spacer
37	532124923	Line Fuel 7.5
38	-----	Plug Oil Drain (Order From Engine Manufacturer)
39	532109227	Pad, Idler
45	817060612	Screw 3/8-16 x 3/4
81	532128861	Nut Flange 1/4-20 Starter Nut
101	532163305	Nut Flange M8-1.25 Non-Lk Zinc

NOTE: All component dimensions given in U.S. inches
1 inch = 25.4 mm

For Husqvarna Parts Call 606-678-9623 or 606-561-4983 REPAIR PARTS

TRACTOR - MODEL NO. YTH180(954140109A), PRODUCT NO. 954 14 01-09

MOWER DECK



For Husqvarna Parts Call 606-678-9623 or 606-561-4983

REPAIR PARTS

TRACTOR - MODEL NO. YTH180 (954140109A), PRODUCT NO. 954 14 01-09

MOWER DECK

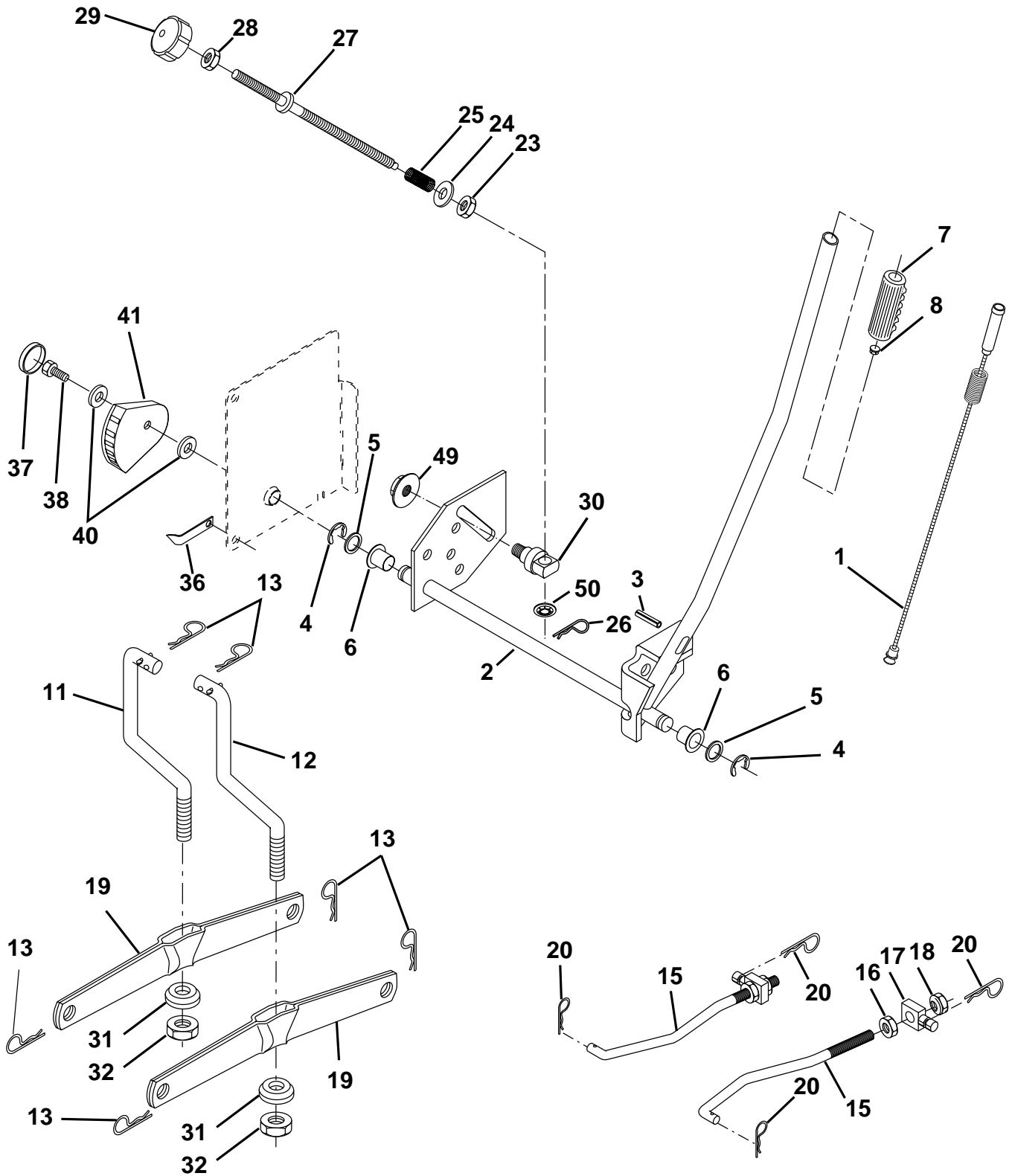
KEY NO.	PART NO.	DESCRIPTION	KEY NO.	PART NO.	DESCRIPTION
1	532164212	Deck Weldment Mower HD 46 WAD	45	532145059	Cover, Mandrel Deck
3	532138457	Bracket Asm., Sway Bar	46	532137729	Screw, Thdroll. 1/4-20 x 5/8
5	532124670	Retainer Spring	47	532144959	V-Belt, Mower, Secondary
6	532130832	Arm, Suspension, Rear (Sway Bar)	48	532148763	V-Belt, Mower, Primary
8	532850857	Bolt, Patched 3/8-24 x 1-1/4 Gr. 8	49	873680600	Nut, Crownlock 3/8-16 UNC
9	810030600	Washer, Lock Hvy., Unplated 3/8	50	872110612	Bolt, Carriage 3/8-16 x 1-1/2 Gr. 5
10	532140296	Washer, Hard Blade, Mower Vented	51	532153390	Washer, Felt
11	532170698	Blade, 46" High Performance	52	532156493	Pulley Idler Flat 46 Pri. Drive
	532152443	Blade, 46" Mulching	53	819131312	Washer 13/32 x 13/16 x 12 Ga.
12	532129895	Bearing, Ball, Mandrel #6204	54	874780616	Bolt Fin Hex 3/8-16unc x 1 Gr. 5
13	532137553	Shaft Asm. w/Lower Bearing (Includes Key No. 12)	55	872140608	Bolt Rdhd Sqnk 3/8-16unc x 1
14	532137152	Housing, Mandrel	56	532155986	Bar Pnt Adjusting Wheel Gauge
15	532110485	Bearing, Ball, Mandrel	57	532156941	Pin Head Rivet
16	532140329	Stripper, Mower Round	72	819131616	Washer 13/32 x 1 x 16 Ga.
18	872140505	Bolt, Carriage 5/16-18 x 5/8	90	874760616	Bolt, Fin, Hex 3/8-16 UNC x 1
19	532132827	Bolt, Hex Head, Shoulder 5/16-18	91	532132274	Bracket, Asm Noseroller, LH
20	532145055	Baffle, Vortex Mower 46"	92	873800600	Nut, Lock, Hex w/Ins 3/8-16UNC
21	873680500	Nut, Crownlock 5/16-18 UNC	93	819171416	Washer 17/32 x 7/8 x 16 Ga.
22	532134753	Stiffener, Bracket	94	532132264	Roller, Nose 38 & 42
23	532131267	Bracket, Deflector	95	532132273	Bracket, asm Noseroller RH
24	532105304	Cap, Sleeve	101	532145579	Cover, Mulching
25	532149287	Spring, Torsion, Deflector	102	871161010	Screw
26	532110452	Nut, Push	103	810071000	Washer, Lock #10
27	532171384	Shield, Deflector Mower	104	819061216	Washer
28	819111016	Washer 11/32 x 5/8 x 16 Ga.	105	532160793	Latch Asm. Bagger
29	532131491	Rod, Hinge	106	532125004	Nut, Weld
30	532157722	Screw, Thdroll, Washer Head	116	532137644	Bolt, Shoulder
31	532129963	Washer, Spacer Mower Vented	117	532133957	Gauge Wheel
32	532153531	Pulley, Mandrel	118	873930600	Nut, Centerlock 3/8-16 UNC
33	532137266	Nut, Fig. Top Lock Cntr. 9/16	119	819121414	Washer 3/8 x 7/8 x 14 Ga.
34	532144945	Anchor, Spring Deck 46"	126	532144948	Arm, Idler, Primary Deck 46"
35	817490628	Screw, Thdroll 3/8-16 x 1-3/4 Tytt	127	532146763	Pulley, Idler, V-Groove Dim. 4.25
36	819131316	Washer 13/32 x 13/16 x 16 Ga.	130	532153183	Reinforcement Mandrel Ring
37	532131494	Pulley, Idler, Flat	--	532143651	Mandrel Assembly (Includes Key Nos. 8-10, 12-15, 31 and 33)
38	532156086	Keeper, Belt, Idler	--	532177107	Mower Serv 46" (Standard Deck Order nose roller, guage wheels, and mulching plate components separately Key Nos. 90-95,116-118, 101-106)
39	532144917	Pulley, Idler, Driven			
40	532137273	Spring, Secondary 44/46/50 Vent			
41	817060620	Screw, Thdroll 3/8-16 x 1-1/4			
42	532165723	Spacer, Retainer			
43	532144949	Arm, Idler Secondary			
44	532133943	Washer, Hardened			

NOTE: All component dimensions given in U.S. inches
1 inch = 25.4 mm

For Husqvarna Parts Call 606-678-9623 or 606-561-4983 REPAIR PARTS

TRACTOR - MODEL NO. YTH180 (954140109A), PRODUCT NO. 9541401-09

MOWER LIFT



For Husqvarna Parts Call 606-678-9623 or 606-561-4983

REPAIR PARTS

TRACTOR - MODEL NO. YTH180 (954140109A), PRODUCT NO. 954 14 01-09

MOWER LIFT

KEY NO.	PART NO.	DESCRIPTION
1	532159460	Wire Asm Inner/Spring W/Plunger LT
2	532159471	Shaft Asm Lift RH w/Inf
3	532105767	Pin Groove 1 500 Zinc
4	812000002	E Ring #5133-62
5	819211621	Washer 21/32 X 1 X 21 Ga
6	532120183	Bearing Nylon Blk 629 Id
7	532125631	Grip Handle Fluted Blk
8	532124526	Button Plunger Black
11	532139865	Link Lift LH Fixed Length
12	532139866	Link Lift RH Fixed Length
13	532124670	Retainer Spring
15	532167253	Link Front
16	873350800	Nut Jam Hex 1/2-13 Unc
17	532130171	Trunnion Blk Zinc
18	873800800	Nut Lock w/Wsh 1/2-13unc
19	532139868	Arm Suspension Rear
20	532163552	Retainer Spring
23	532110807	Nut Special
24	819131016	Washer 13/32 X 5/8 X 16 Ga
25	532124874	Spring 2-1/8"
26	532169484	Retainer Clip
27	532126971	Rod Adj Lift Zinc 7.49 Wrk Lg
28	873350600	Nut Hex Jam 3/8-16 Unc
29	532138057	Knob Inf 3/8-16 Unc Blk W/sym
30	532150233	Trunnion Infin Height
31	532140302	Bearing Pvt Lift Spherical
32	873540600	Nut Crownlock 3/8 - 24
36	532155097	Indicator Height STLT
37	532123935	Plug Hole Blk 1.485/1.515 Dia.
38	817060516	Screw 5/16-18 x 1
40	819112410	Washer 11/32 x 1-1/2 10 Ga.
41	532155098	Scale Ind. Height Blk.
49	532145212	Nut Hex Flange Lock
50	532110452	Nut, Push Phos & Oil

NOTE: All component dimensions given in U.S. inches
1 inch = 25.4 mm