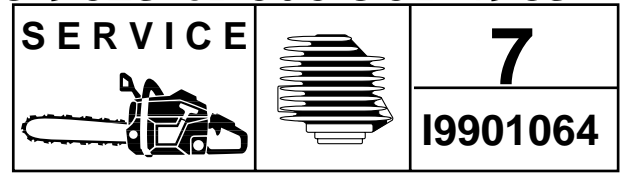


For Husqvarna Parts Call 606-678-9623 or 606-561-4983

 **Husqvarna**

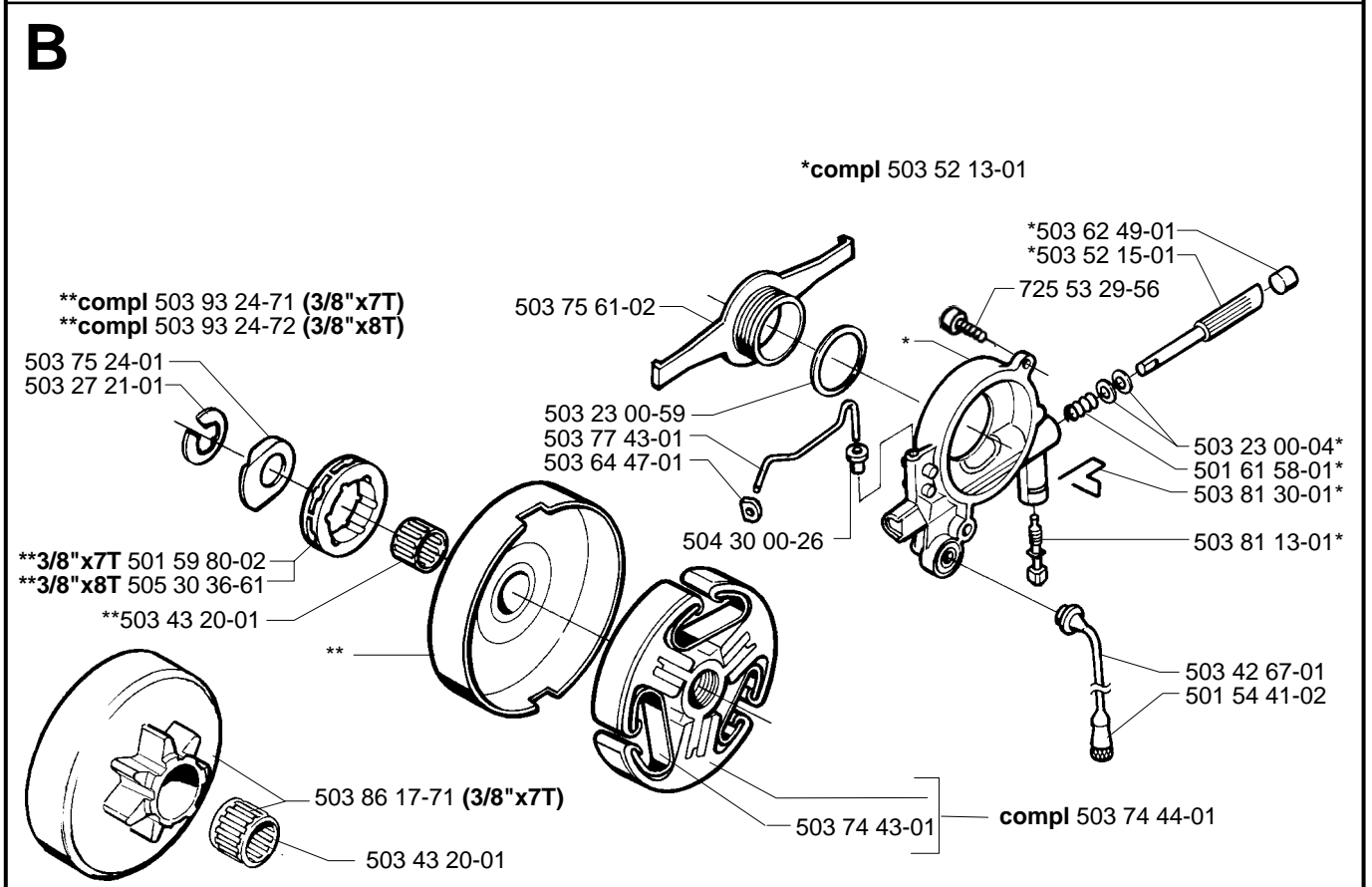
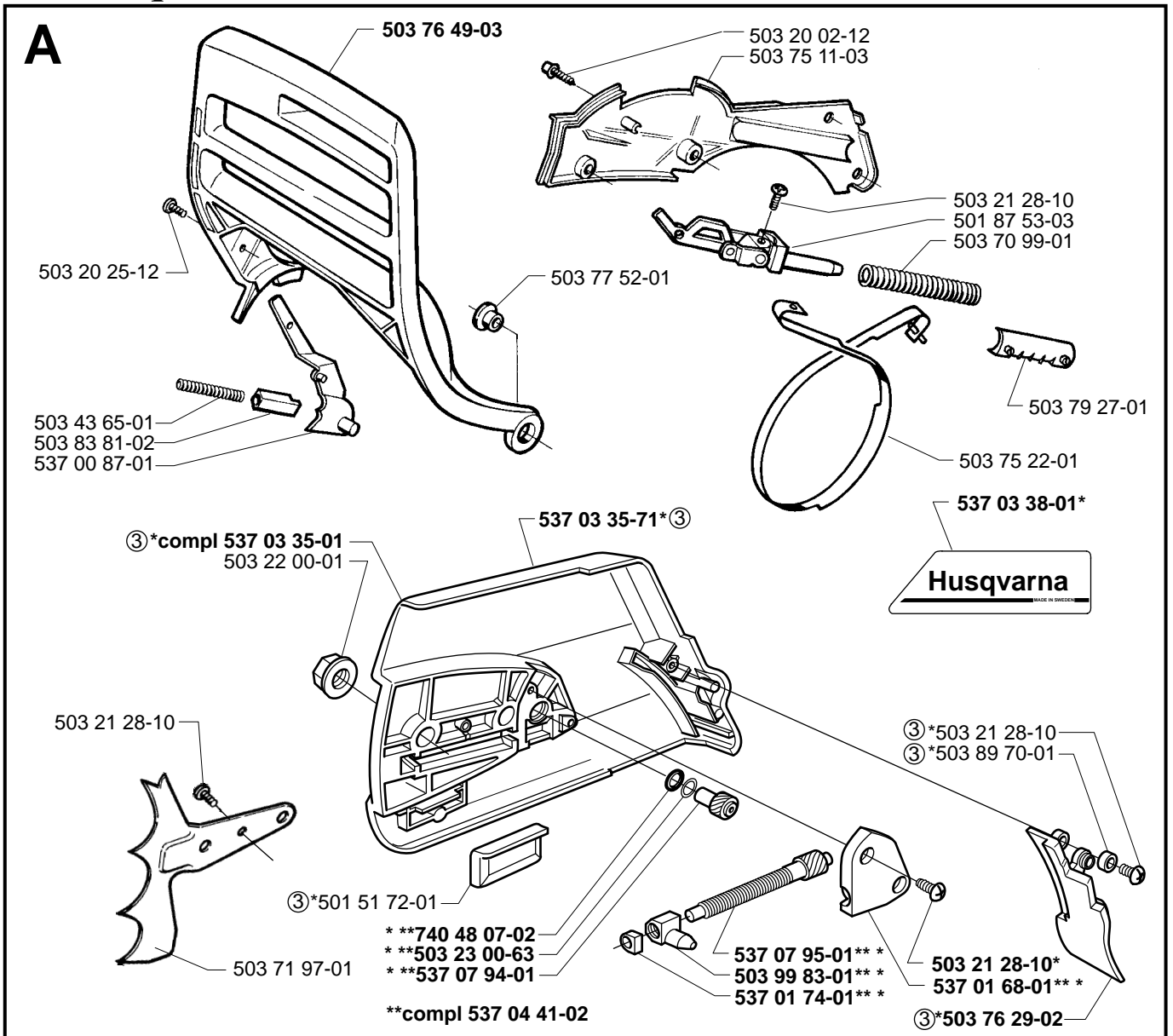


**IPL, 365 Special, 365 Special EPA, 1999-11, 106 26 03-61**

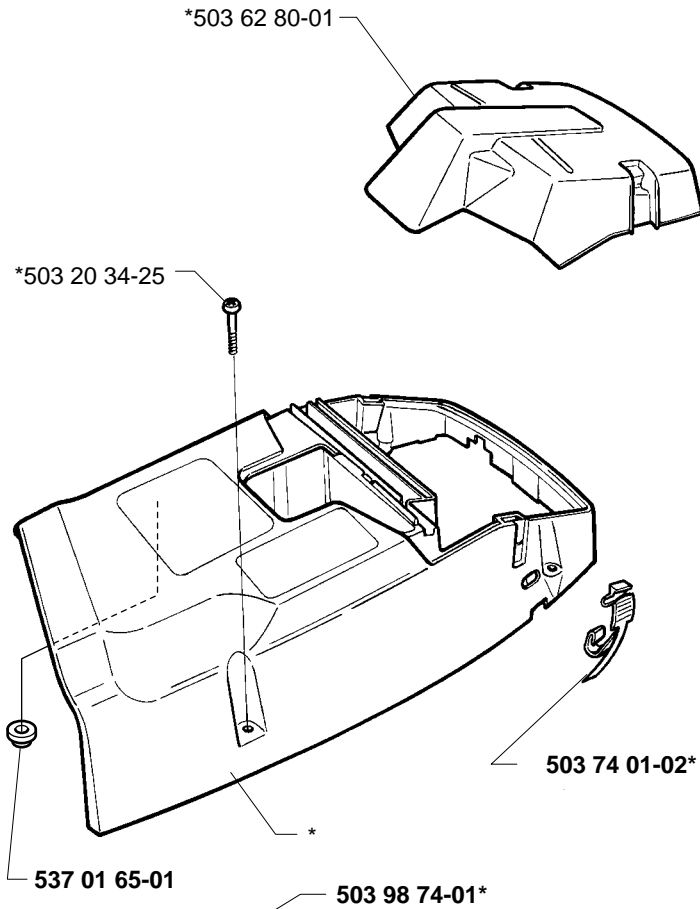
# **365** Special, **365** Special **EPA**

**Spare parts**  
**Ersatzteile**  
**Pièces détachées**  
**Reserve onderdelen**  
**Repuestos**  
**Reservdelar**

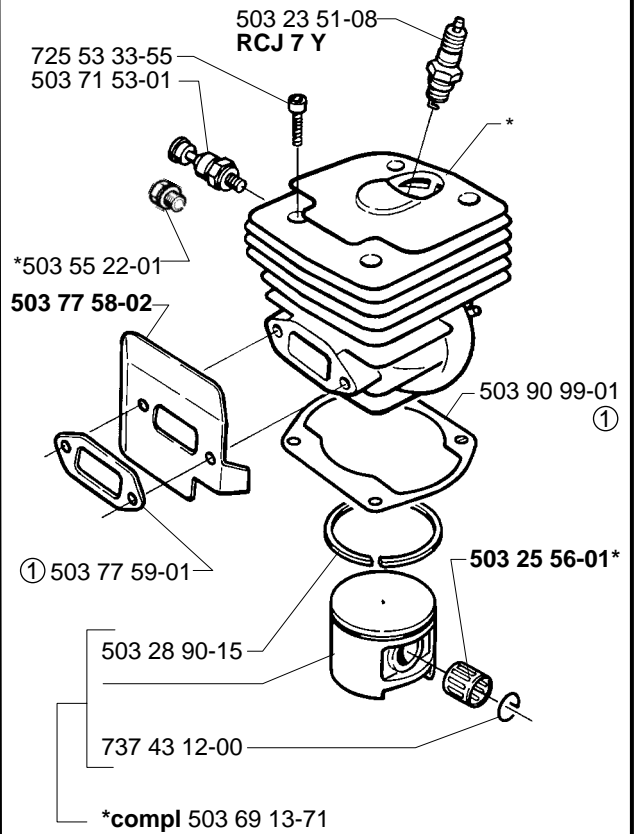
**106 26 03-61**



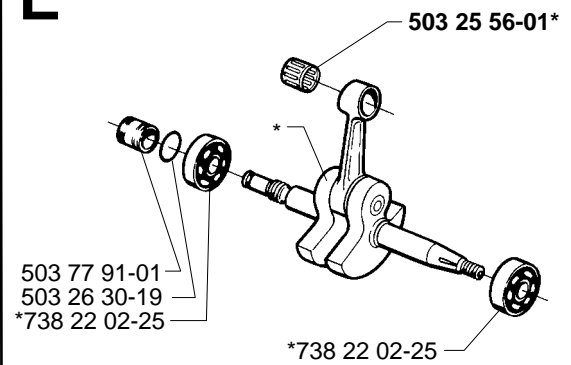
**C** \*compl 503 62 78-07



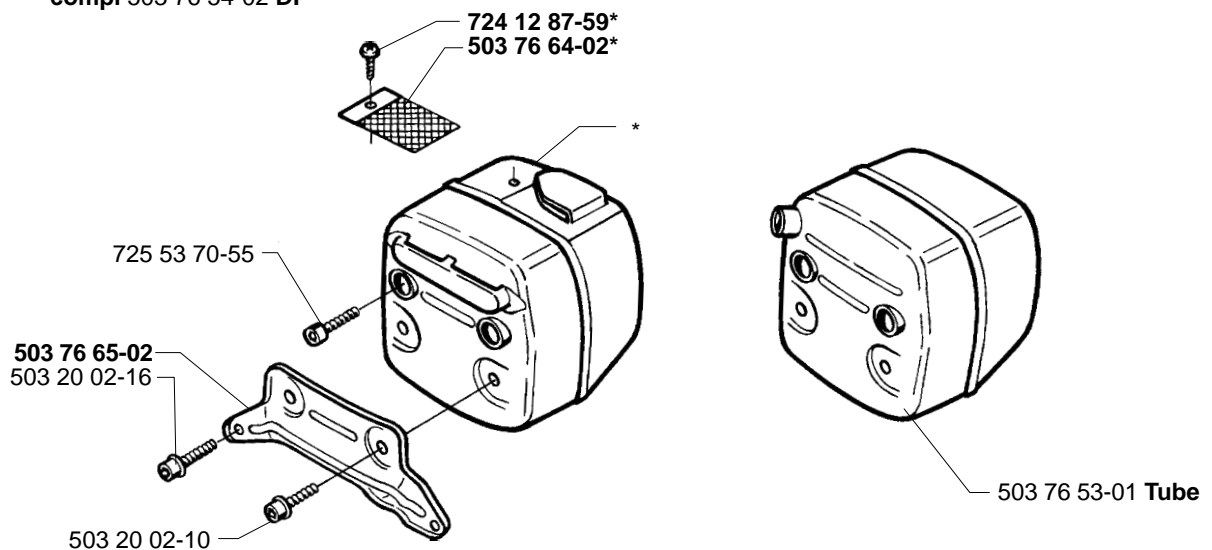
**D** \*compl 503 69 10-73  
\*compl 503 93 90-72 EPA



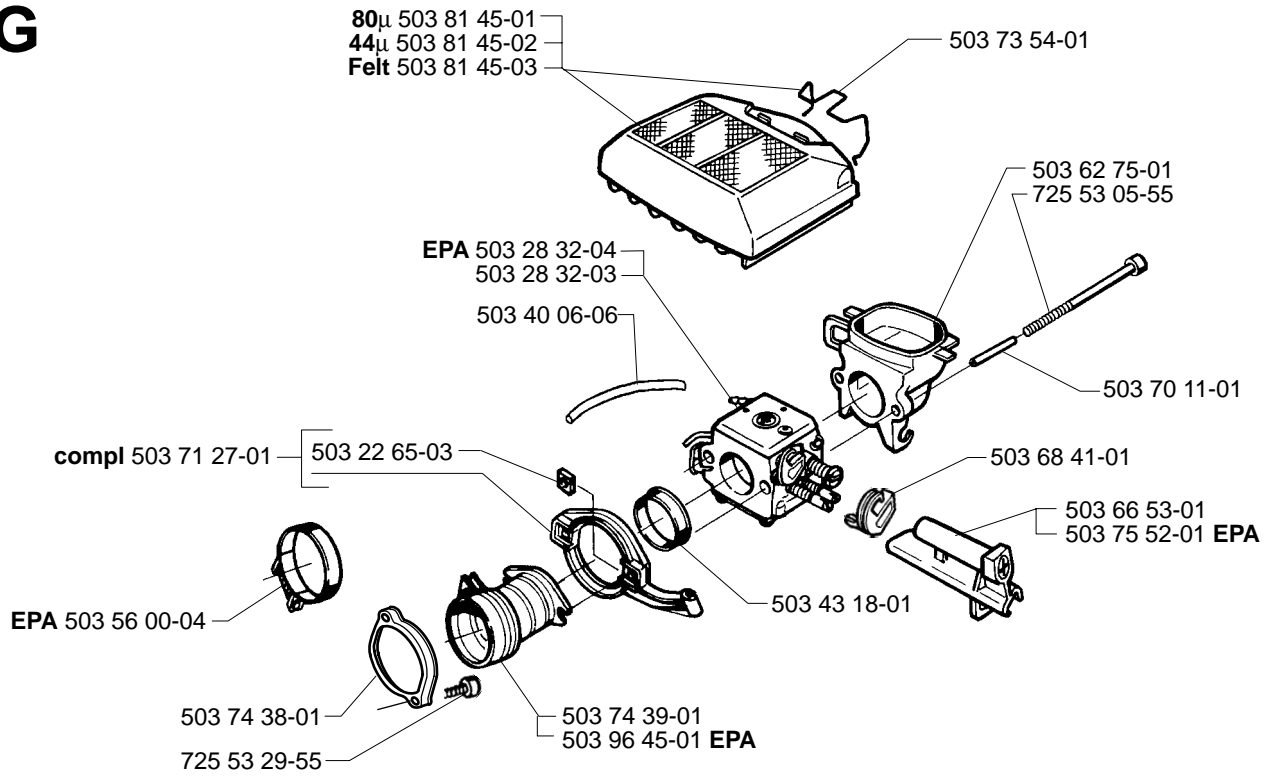
**E** \*compl 503 72 91-76



**F** compl 503 76 52-01 FG  
\*compl 503 76 53-02 Jungle  
\*compl 503 76 54-02 DF

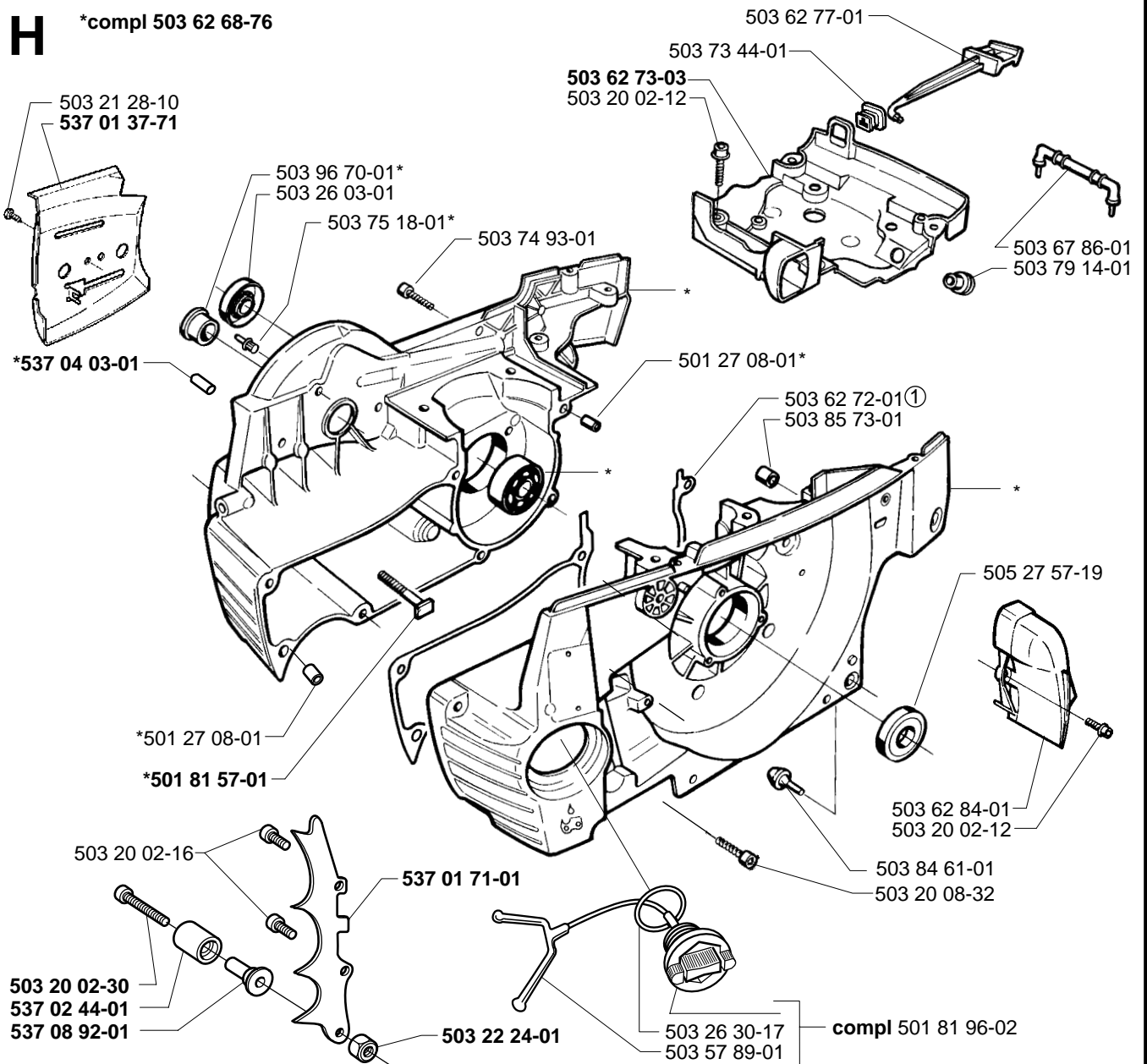


**G**



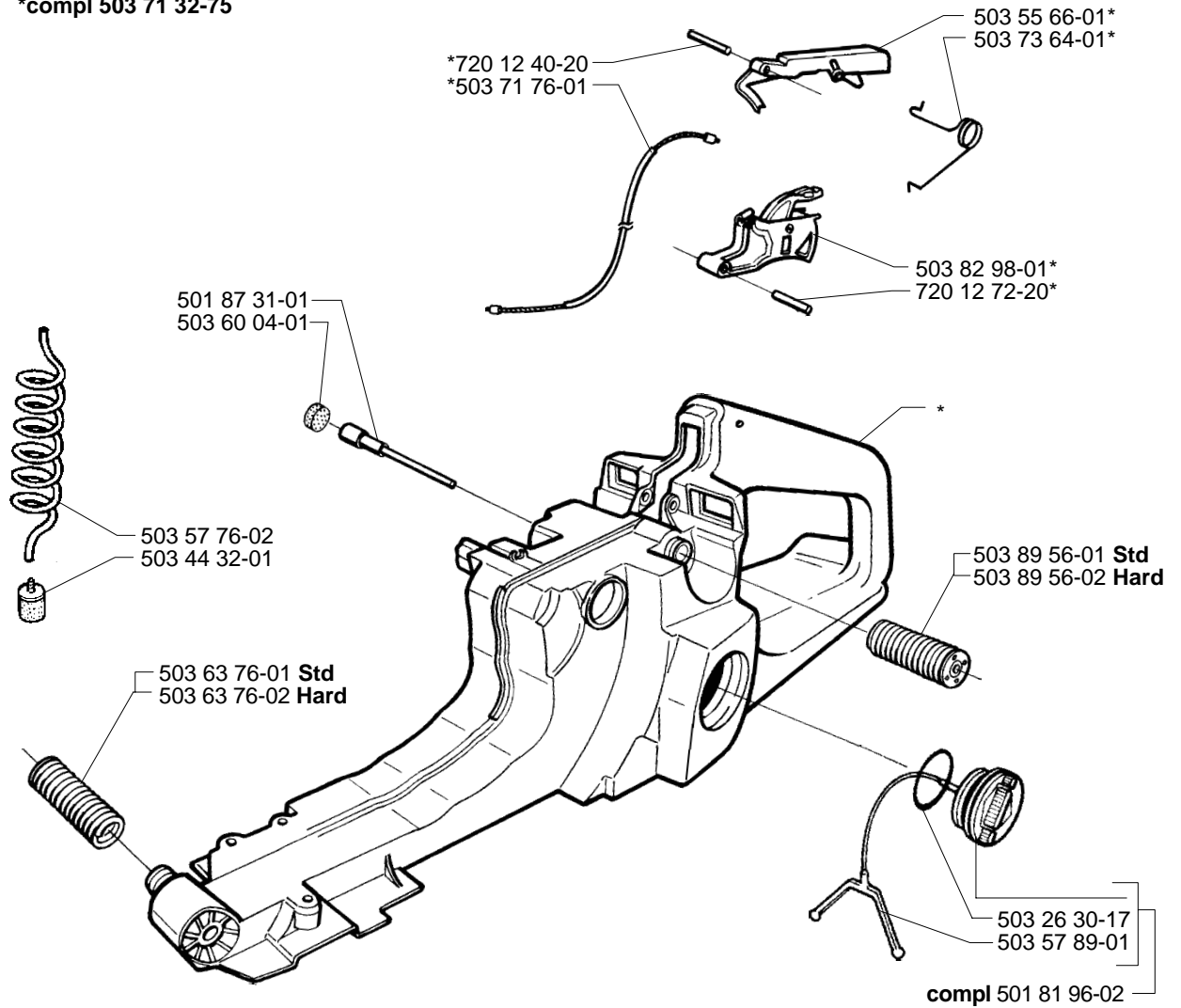
**H**

\*compl 503 62 68-76



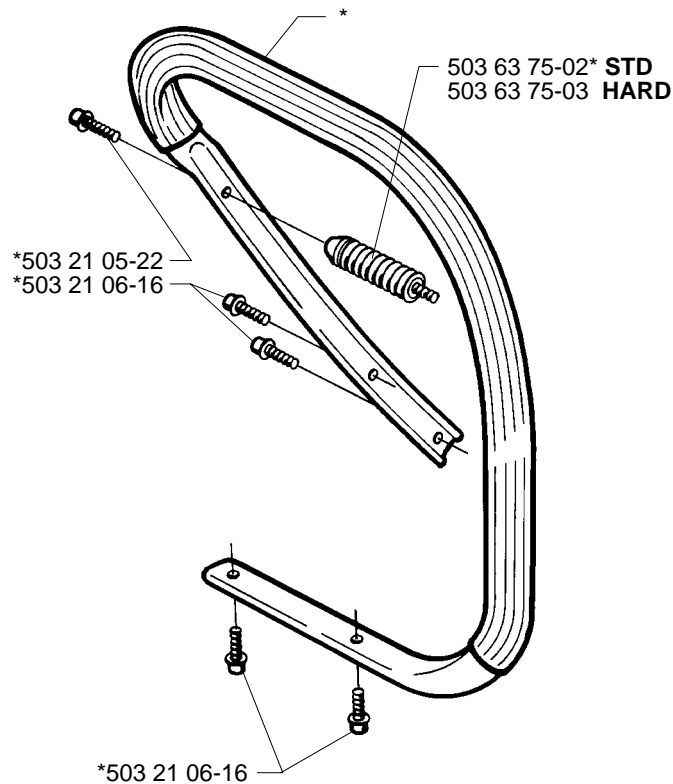
**J**

\*compl 503 71 32-75

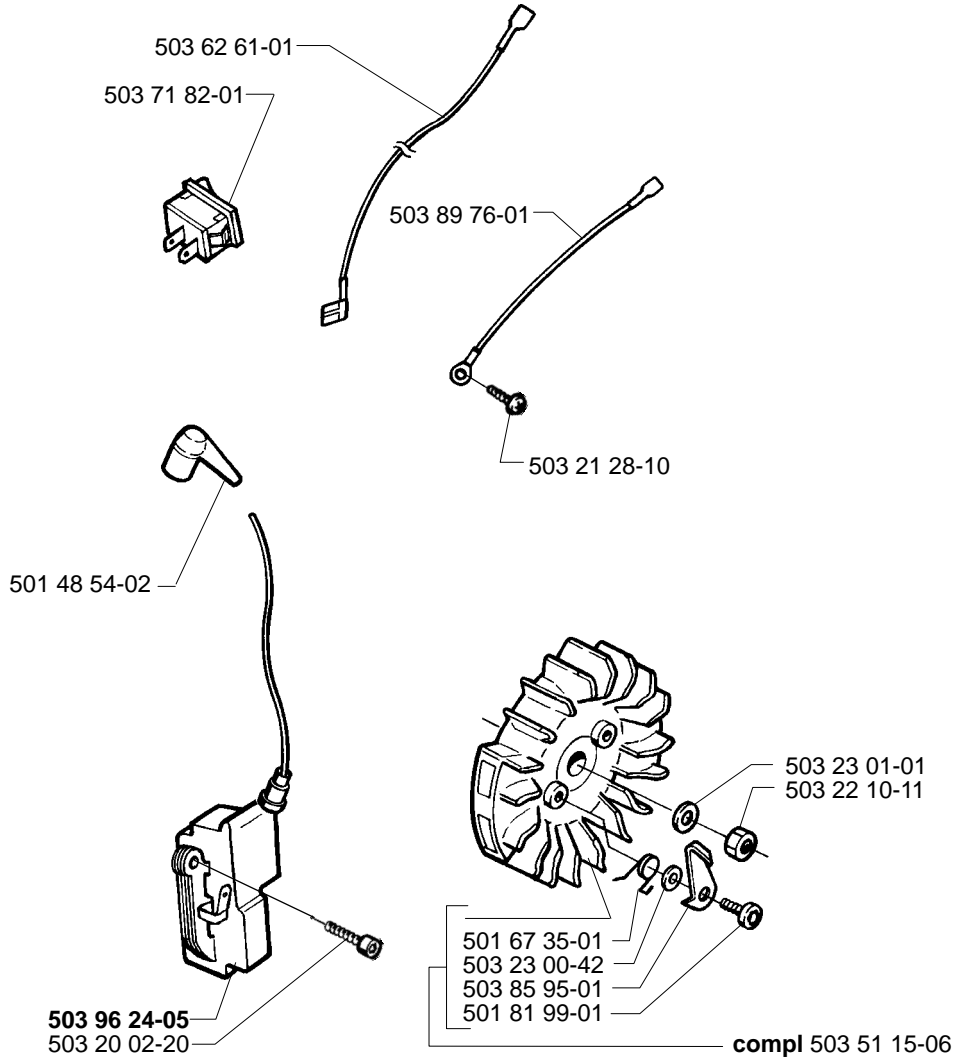


**K**

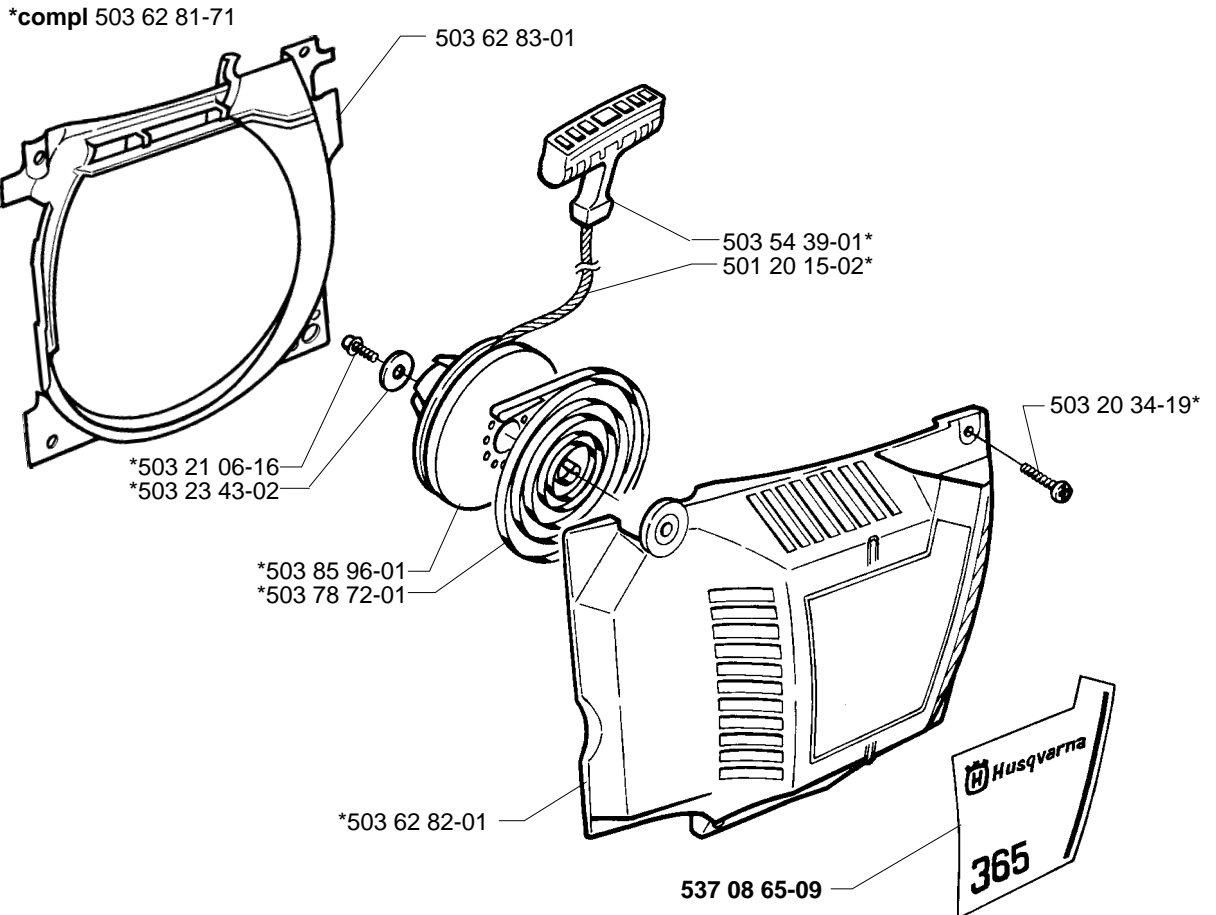
\*compl 503 62 67-71



**M**

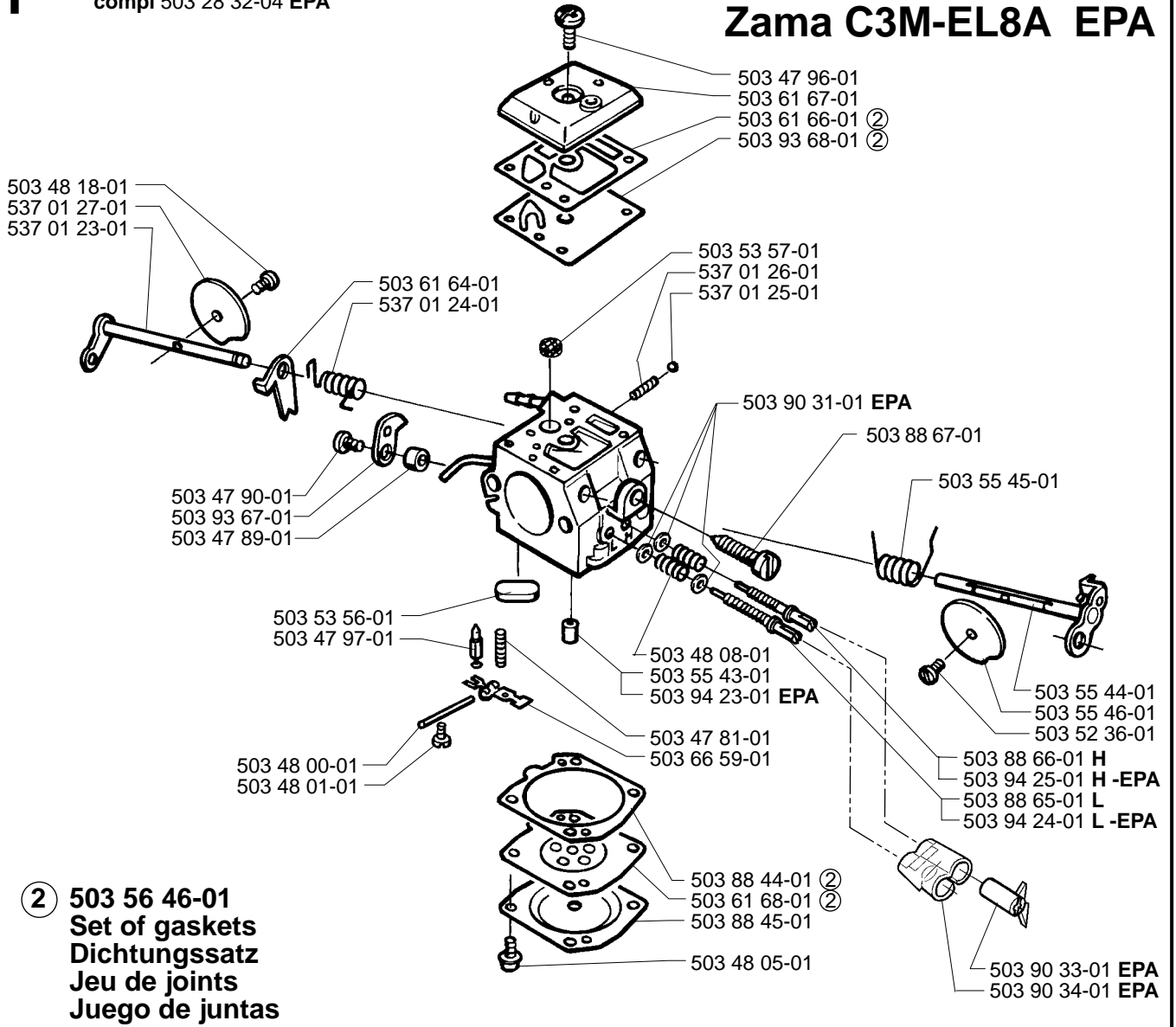


**N**



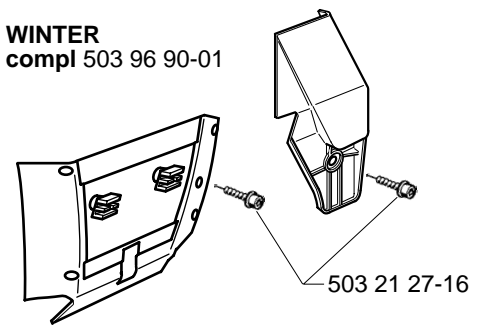
**P** compl 503 28 32-03  
compl 503 28 32-04 EPA

**Zama C3M-EL2B**  
**Zama C3M-EL8A EPA**

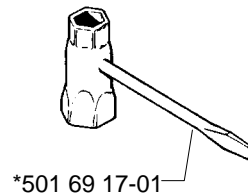
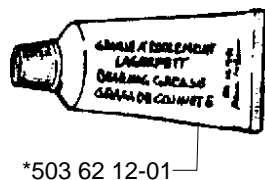
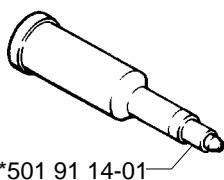
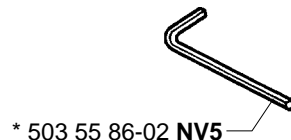


**Q** Accessories  
Zubehöre  
Accessories  
Accesorios

**WINTER**  
compl 503 96 90-01



\*compl 503 55 85-01



# For Husqvarna Parts Call 606-678-9623 or 606-561-4983

MODEL 365 Special, 365 Special EPA

PART NUMBER	SQUARE NOTE	PART NUMBER	SQUARE NOTE	PART NUMBER	SQUARE NOTE	PART NUMBER	SQUARE NOTE
501 20 15-02	N	503 55 22-01	D	503 76 29-02	A N	537 03 35-71	A N
501 27 08-01	H	503 55 43-01	P	503 76 49-03	A N	537 03 38-01	A N
501 48 54-02	M	503 55 44-01	P	503 76 52-01	F	537 04 03-01	H N
501 51 72-01	A	503 55 45-01	P	503 76 53-01	F	537 04 41-02	A N
501 54 41-02	B	503 55 46-01	P	503 76 53-02	F	537 07 94-01	A N
501 59 80-02	B	503 55 66-01	J	503 76 54-02	F	537 07 95-01	A N
501 61 58-01	B	503 55 85-01	Q	503 76 64-02	F N	537 08 65-09	N N
501 67 35-01	M	503 55 86-01	Q	503 76 65-02	F N	537 08 92-01	H N
501 69 17-01	Q	503 55 86-02	Q	503 77 43-01	B	720 12 40-20	J
501 81 57-01	H N	503 56 00-04	G EPA	503 77 52-01	A	720 12 72-20	J
501 81 96-02	HJ	503 56 46-01	P 2 COMPL	503 77 58-02	D N	724 12 87-59	F N
501 81 99-01	M	503 57 76-02	J	503 77 59-01	D 1	725 53 05-55	G
501 87 31-01	J	503 57 89-01	HJ	503 77 91-01	E	725 53 29-55	G
501 87 53-03	A	503 60 04-01	J	503 78 72-01	N	725 53 29-56	B
501 91 14-01	Q	503 61 64-01	P	503 79 14-01	H	725 53 33-55	D
503 20 02-10	F	503 61 66-01	P 2	503 79 27-01	A	725 53 70-55	F
503 20 02-12	AH	503 61 67-01	P	503 81 13-01	B	737 43 12-00	D
503 20 02-16	FH	503 61 68-01	P 2	503 81 30-01	B	738 22 02-25	E
503 20 02-20	M	503 62 12-01	Q	503 81 45-01	G	740 48 07-02	A N
503 20 02-30	H N	503 62 49-01	B	503 81 45-02	G		
503 20 08-32	H	503 62 61-01	M	503 81 45-03	G		
503 20 25-12	A	503 62 67-71	K	503 82 98-01	J		
503 20 34-19	N	503 62 68-76	H N	503 83 81-02	A		
503 20 34-25	C	503 62 72-01	H 1	503 84 61-01	H		
503 21 05-22	K	503 62 73-03	H N	503 85 73-01	H		
503 21 06-16	KN	503 62 75-01	G	503 85 95-01	M		
503 21 27-16	Q	503 62 77-01	H	503 85 96-01	N		
503 21 28-10	AHM	503 62 78-07	C N	503 86 17-71	B		
503 22 00-01	A	503 62 80-01	C	503 88 44-01	P 2		
503 22 10-11	M	503 62 81-71	N	503 88 45-01	P		
503 22 24-01	H N	503 62 82-01	N	503 88 65-01	P		
503 22 65-03	G	503 62 83-01	N	503 88 66-01	P		
503 23 00-04	B	503 62 84-01	H	503 88 67-01	P		
503 23 00-42	M	503 63 75-02	K	503 89 56-01	J		
503 23 00-59	B	503 63 75-03	K	503 89 56-02	J		
503 23 00-63	A N	503 63 76-01	J	503 89 70-01	A		
503 23 01-01	M	503 63 76-02	J	503 89 76-01	M		
503 23 43-02	N	503 64 47-01	B	503 90 31-01	P EPA		
503 23 51-08	D	503 64 72-01	DH 1COMPL	503 90 33-01	P EPA		
503 25 56-01	DE N	503 66 53-01	G	503 90 34-01	P EPA		
503 26 03-01	H	503 66 59-01	P	503 90 99-01	D 1		
503 26 30-17	HJ	503 67 86-01	H	503 93 24-71	B		
503 26 30-19	E	503 68 41-01	G	503 93 24-72	B		
503 27 21-01	B	503 69 10-73	D N	503 93 67-01	P		
503 28 32-03	GP	503 69 13-71	D	503 93 68-01	P 2		
503 28 32-04	GP EPA	503 96 45-01	G EPA	503 93 90-72	D N EPA		
503 28 90-15	D	503 70 11-01	G	503 94 23-01	P EPA		
503 40 06-06	G	503 70 99-01	A	503 94 24-01	P EPA		
503 42 67-01	B	503 71 27-01	G	503 94 25-01	P EPA		
503 43 18-01	G	503 71 32-75	J N	503 96 24-05	M N		
503 43 20-01	B	503 71 53-01	D	503 96 70-01	H		
503 43 65-01	A	503 71 76-01	J	503 96 90-01	Q		
503 44 32-01	J	503 71 82-01	M	503 98 74-01	C		
503 47 81-01	P	503 71 97-01	A	503 99 83-01	A N		
503 47 89-01	P	503 72 91-76	E	504 30 00-26	B		
503 47 90-01	P	503 73 44-01	H	505 27 57-19	H		
503 47 96-01	P	503 73 54-01	G	505 30 36-61	B		
503 47 97-01	P	503 73 64-01	J	537 00 87-01	A		
503 48 00-01	P	503 74 01-02	C N	537 01 23-01	P		
503 48 01-01	P	503 74 38-01	G	537 01 24-01	P		
503 48 05-01	P	503 74 39-01	G	537 01 25-01	P		
503 48 08-01	P	503 74 43-01	B	537 01 26-01	P		
503 48 18-01	P	503 74 44-01	B	537 01 27-01	P		
503 51 15-06	M	503 74 93-01	H	537 01 37-71	H N		
503 52 13-01	B	503 75-11-03	A	537 01 65-01	C N		
503 52 15-01	B	503 75 18-01	H	537 01 68-01	A N		
503 52 36-01	P	503 75 22-01	A	537 01 71-01	H N		
503 53 56-01	P	503 75 24-01	B	537 01 74-01	A N		
503 53 57-01	P	503 75 52-01	G EPA	537 02 44-01	H N		
503 54 39-01	N	503 75 61-02	B	537 03 35-01	A N		

1 = 503 64 72-01  
2 = 503 56 46-01

Set of gaskets  
Dichtungssatz  
Jeu de joints  
Juego de juntas  
Packningssats

N = New part  
Neues teil  
Nouvelle piece  
Nueva pieza  
Ny detalj

EPA = Environmental Protection Agency  
(for USA only)