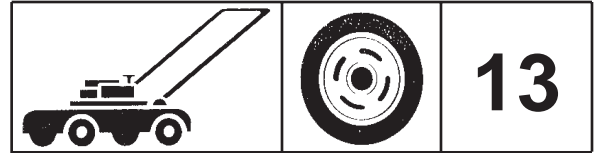
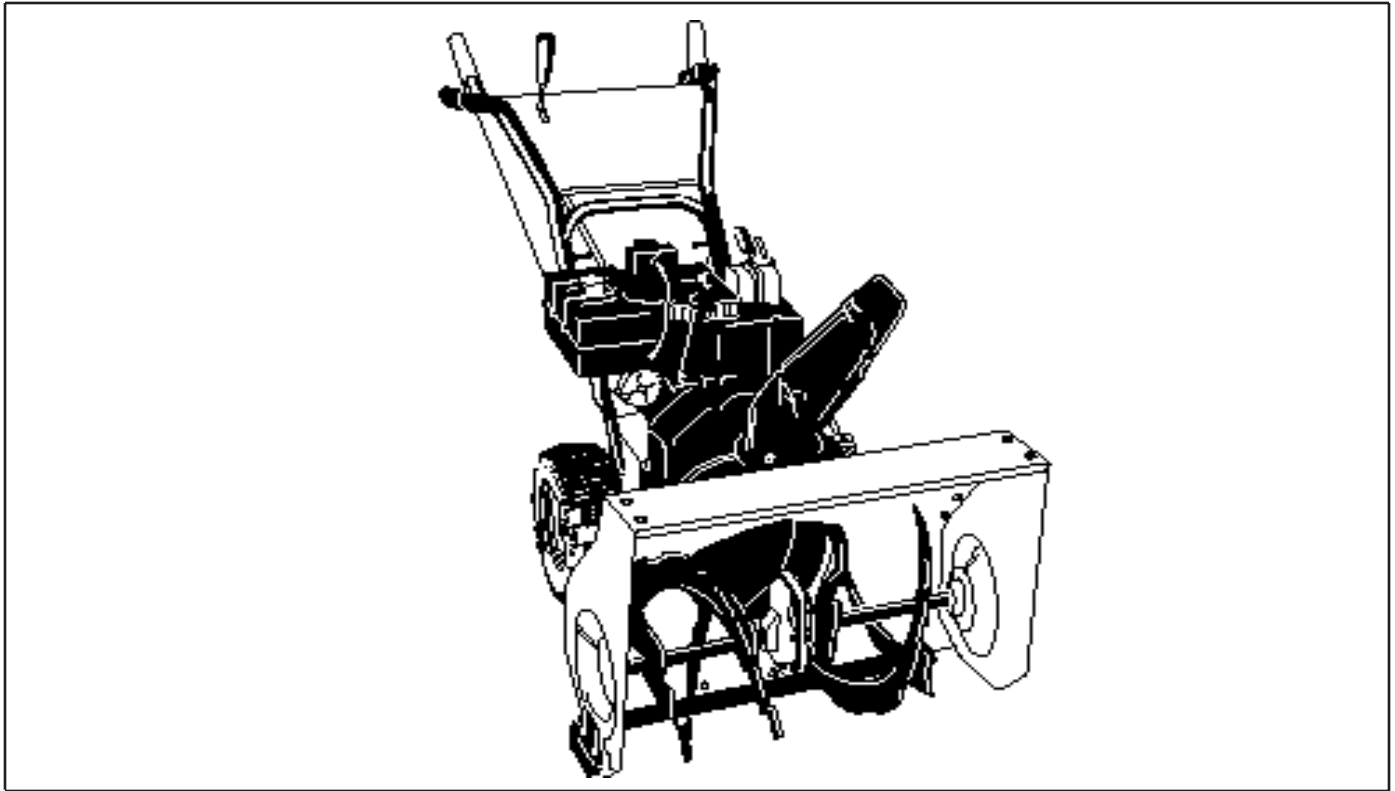


For Husqvarna Parts Call 606-678-9623 or 606-561-4983

 **Husqvarna**



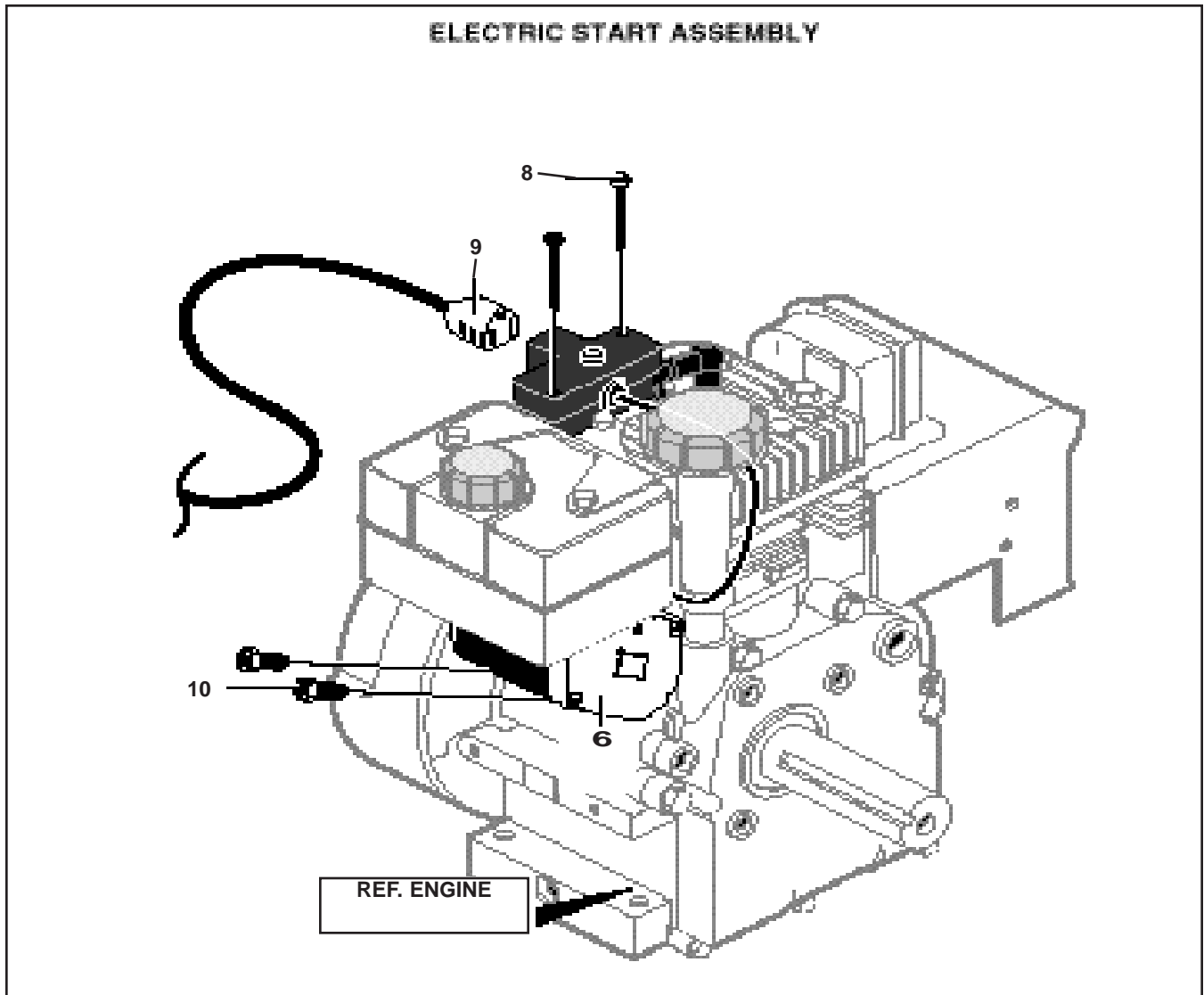
ST 824E



1.1998
PARTS LISTING

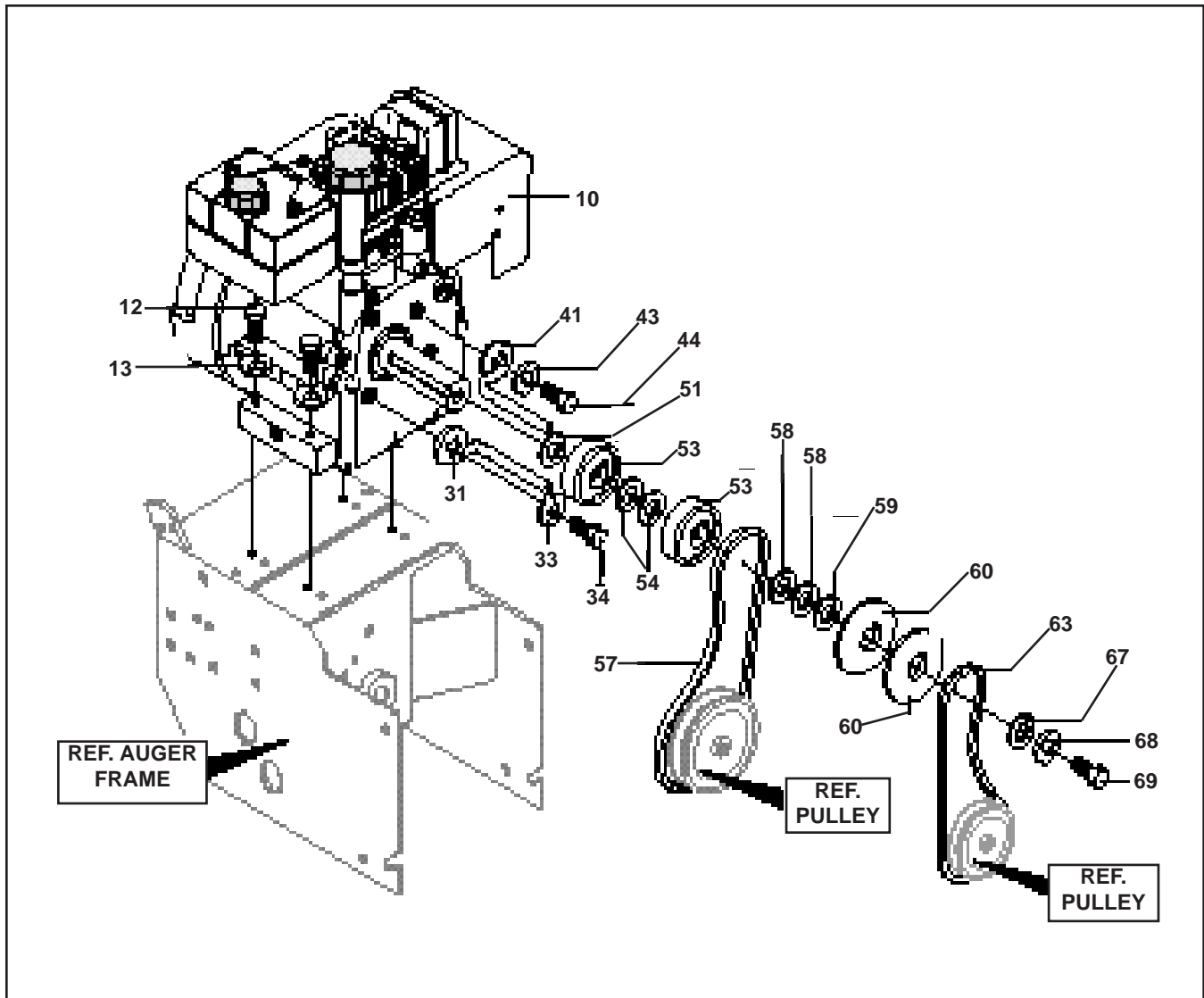
601 00 23-16

ST824 Electric Starter Assembly



REF	NO.	PART NO.	PART NAME
	6	601 00 15 88	MOTOR, STARTER
	7	601 00 15 89	SCREW, 1/4-20X .50
	8	60 100 15 90	SCREW, #6-32X2.50
	9	601 00 15 91	CORD, STARTER
		601 00 23 16	OPERATOR'S MANUAL

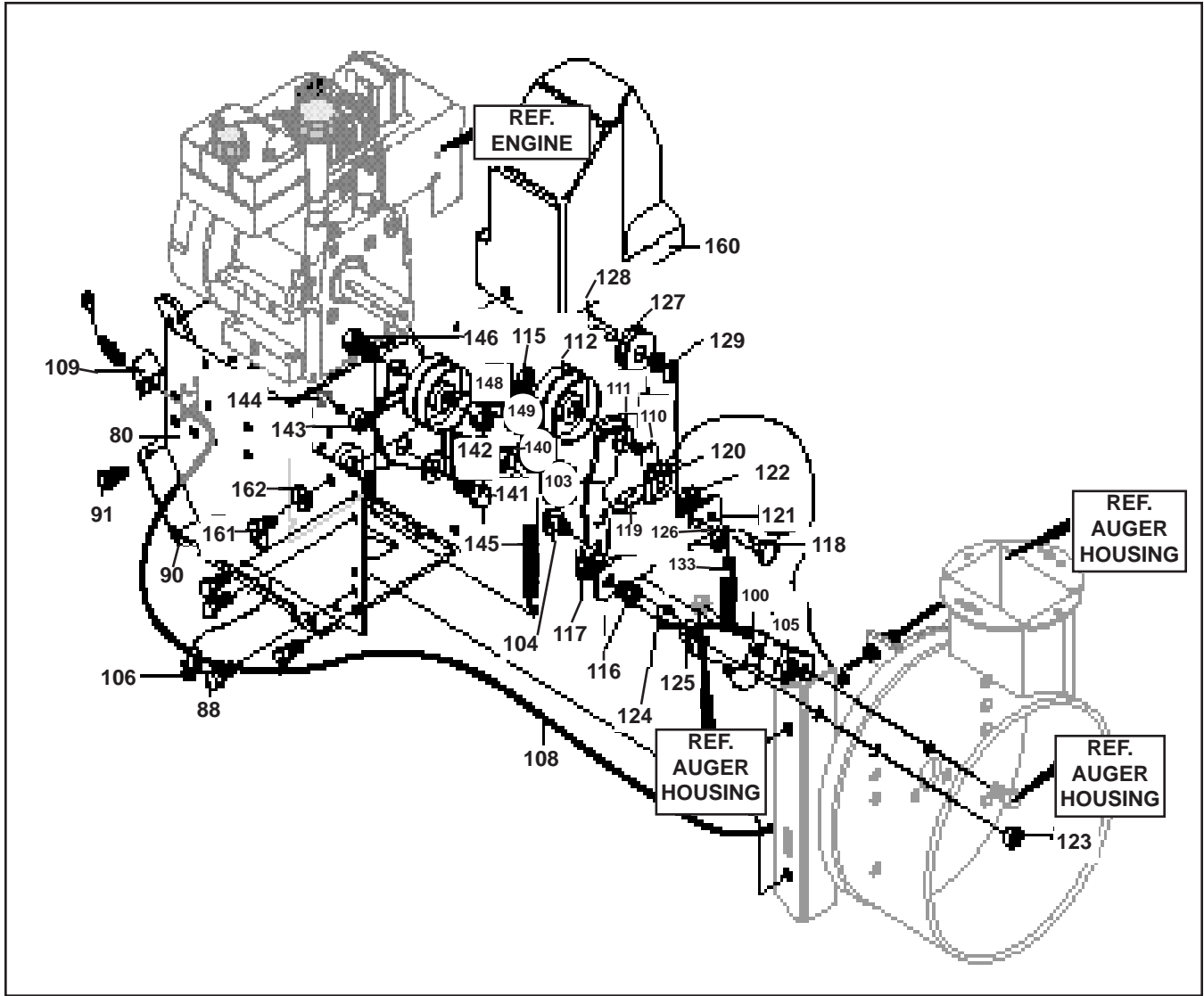
ST824 Engine Assembly



REF. NO.	PART NO.	PART NAME
10	ENGINE 8HP (See Engine Manual)	
12	601 00 15 92	SCREW 5/16-18X1.50
13	601 00 00 23	WASHER, .328X.60X.09
31	601 00 14 32	GUIDE, ROD BELT RH
33	601 00 00 23	WASHER,.328X.60X.09
34	601 00 14 43	SCREW, 5/16-24X 1.00
41	601 00 14 32	GUIDE, ROD BELT RH
43	601 00 00 23	WASHER, .328X.60X.09
44	601 00 14 43	SCREW, 5/16-24X 1.00
51	601 00 14 34	WASHER, CRANKSHAFT
53	601 00 14 36	PULLEY, HALF

REF. NO.	PART NO.	PART NAME
54	601 00 14 35	FLATWASHER.752X.91X.02
57	601 00 14 37	BELT, V 3L 33.13LG
58	601 00 14 38	FLATWASHER.765X1.12X.06
59	601 00 20 20	SPACER, SLEEVE
60	601 00 20 21	PULLEY, ENG
63	601 00 15 94	BELT, V 4L 38.1LG
67	601 00 14 41	WASHER, FLAT
68	601 00 00 15	WASHER, 393X.68X.10
69	601 00 05 27	SCREW, 3/8-24X1.00

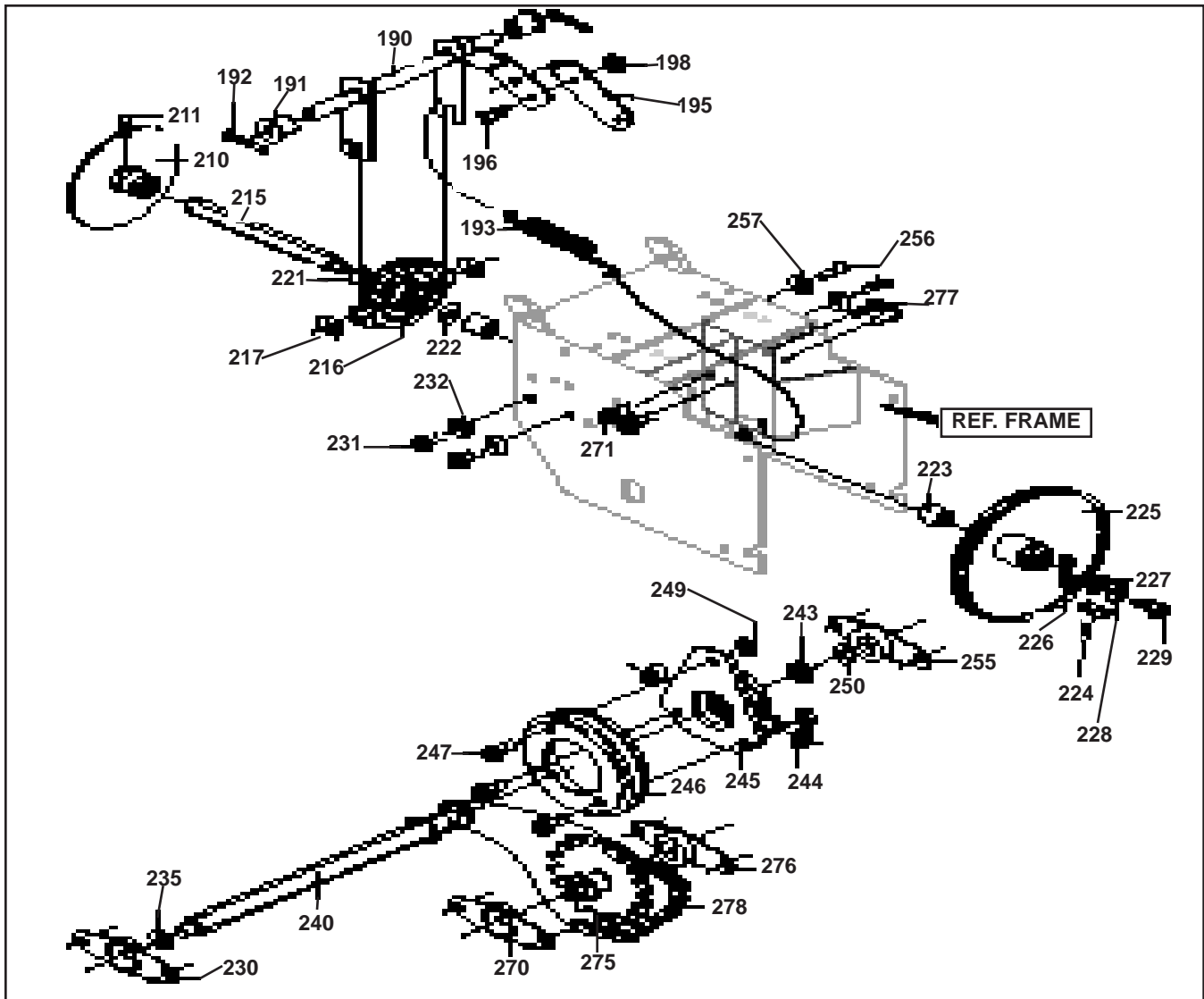
ST824 Frame Components Assembly



REF NO.	PART NO.	PART NAME
80	601 00 21 63	FRAME, ASSY
88	601 00 05 19	SCREW, 5/16-18X .50
90	601 00 17 39	COVER, BOTTOM
91	601 00 14 45	SCREW, 1/4-20X .63
100	601 00 23 47	PLATE, CLUTCH ARM
103	601 00 24 06	BRACKET, IDLER
104	601 00 23 49	BOLT, HSH 3/8-16
105	601 00 24 07	NUT, 3/8-16 CTRLK
106	601 00 20 27	CLIP, CABLE
108	601 00 24 21	CABLE, AUGER
109	601 00 20 30	SHIELD, CABLE GUARD
110	601 00 15 98	C. BOLT, 3/8-16X1.25
111	601 00 06 71	FLATWASHER
112	601 00 14 54	PULLEY, IDLER
115	601 00 13 35	NUT, 3/8-16
116	601 00 16 02	BOLT, BRAKE ARM
117	601 00 16 01	NUT, 9/16-18JAMCTRLK
118	601 00 16 04	BOLT-BRAKE ARM
119	601 00 14 51	SPRING PIN
120	601 00 14 59	PAD, AUGER/IMP
121	601 00 24 68	BRACKET PUCK
122	601 00 16 03	NUT, 1/2-20 JAMCTRLK

REF NO.	PART NO.	PART NAME
123	601 00 00 60	NUT, 3/8-16RGHXCTRLK
124	601 00 24 09	STUD, BRAKE ARM
125	601 00 00 15	WASHER, REGSPTLK
126	601 00 23 18	NUT, 1/4-20RGHXCTRLK
127	601 00 05 60	PULLEY, METAL
128	601 00 20 59	BOLT, SH 1/4-20
129	601 00 00 17	FLATWASHER
133	601 00 20 60	SPRING, IDLER BRAKE
140	601 00 14 61	LEVER, IDLER ARM
141	601 00 00 73	SCREW, 5/16-18X .75
142	601 00 14 62	WASHER, FLAT.328X1.25X.075
143	601 00 14 63	BUSHING, IDLER LE-VER
144	601 00 14 64	NUT, 5/16-18 HEXNYL
145	601 00 10 89 I	DLER SPRING
146	601 00 17 40	SCREW, 3/8-16X1.25
148	601 00 14 54	PULLEY, IDLER
149	601 00 13 35	NUT, 3/8-16
160	601 00 14 65	COVER, BELT
161	601 00 14 45	SCREW, 1/4-20X .63
162	601 00 00 18	WASHER, FLAT

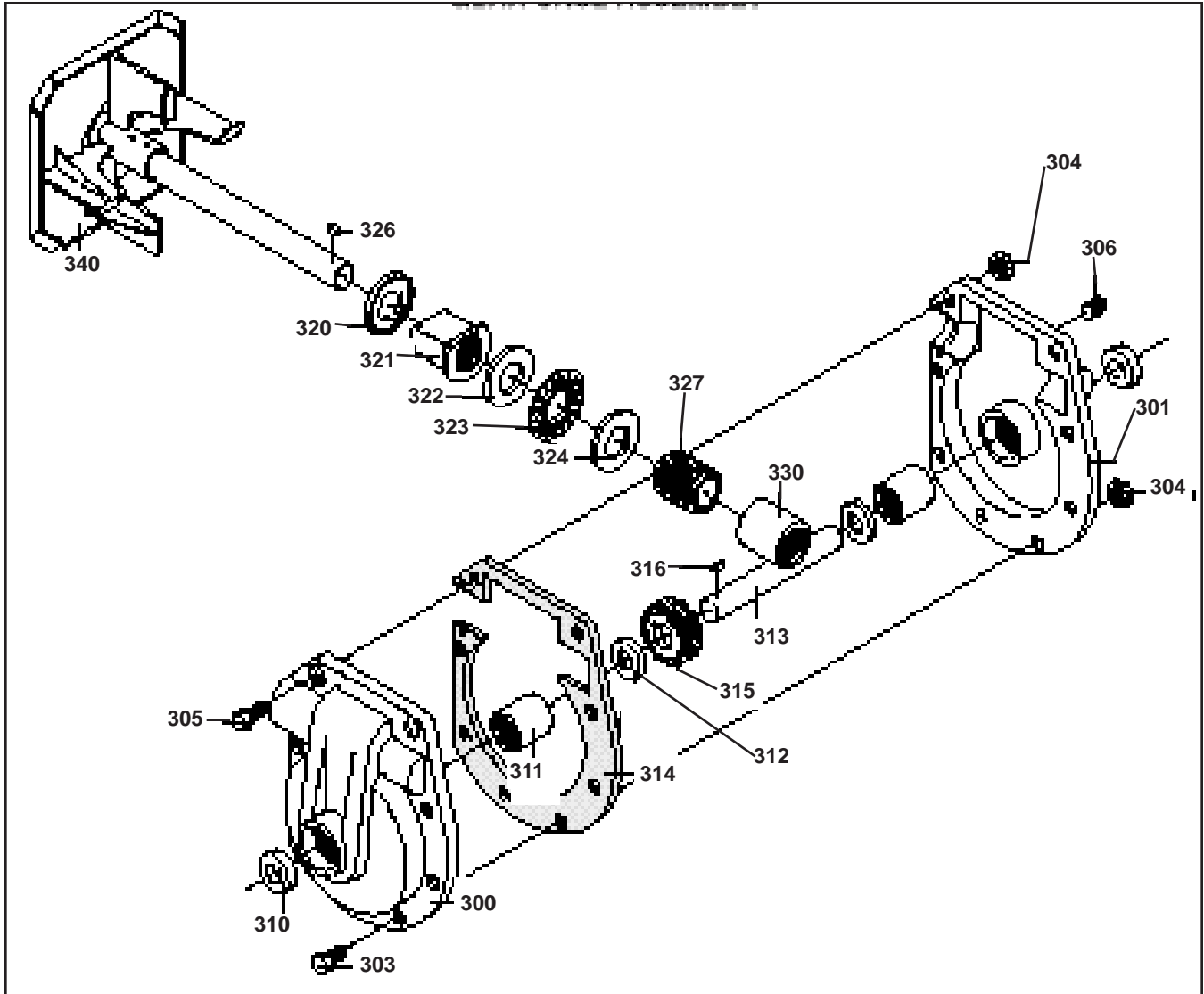
ST824 Drive Components Assembly



REF NO.	PART NO.	PART NAME
190	601 00 14 66	LEVER, ASSY TRACTION
191	601 00 14 47	BEARING, FLANGE
192	601 00 09 30	PIN, COTTER.125DIAX1.00LG
193	601 00 14 67	SPRING, RETURN
195	601 00 23 17	LEVER, SPRING
196	601 00 13 74	SCREW, 1/4-20X .63 HHCFT
198	601 00 23 18	NUT, 1/4-20 REGHEXCTRLK
210	601 00 20 31	DISC, ASSY FRICWHL
211	601 00 23 19	ZERK, GREASE.25 28X1.12LG
215	601 00 14 71	SHAFT, HEX TRACTION
216	601 00 14 72	BEARING, TRUNION 1.25 ID
217	601 00 14 46	WASHER, FLAT.53 X1.00X.063
221	601 00 14 74	RING, RETEX
222	601 00 14 75	FLATWASHER.680X1.12X.060
223	601 00 05 39	BEARING, BALL
224	601 00 14 76	KEY, SQUARE .18SQX.63LG
225	601 00 14 77	PULLEY, V3L 6.50X .56
226	601 00 14 78	WASHER, WAVE
227	601 00 23 21	WASHER, FLAT .281X1.00X.063

REF NO.	PART NO.	PART NAME
228	601 00 00 14	WASHER, 263X.49X.07
229	601 00 00 68	SCREW, 1/4-20X .75 HHC
230	601 00 14 79	BEARING & RETAINER, ASSY
231	601 00 05 19	SCREW, 5/16-18X .50
232	601 00 00 23	WASHER, .328X.60X.09
235	601 00 14 84	WASHER, SP .502X .75X.0605
240	601 00 23 22	HEX, ASSY#40-8TW/PBRG
243	601 00 23 23	RING, RETEX
244	601 00 14 46	WASHER, FLAT.53 X1.00X.063
245	601 00 17 41	BEARING, TRUNION
246	601 00 14 83	WHEEL, ASSYFRICITION DISC
247	601 00 13 74	SCREW, 1/4-20X .63 HHCFT
249	601 00 17 90	NUT, 1/4-20 HEX KEPS
250	601 00 14 84	WASHER, SP .502X 75X.0605
255	601 00 14 79	BEARING & RETAINER, ASSY
256	601 00 05 19	SCREW, 5/16-18X .50
257	601 00 00 23	WASHER, .328X.60X.09\
270	601 00 14 79	BEARING & RETAINER, ASSY
271	601 00 05 19	SCREW, 5/16-18X .50
275	601 00 16 06	JACK, ASSY#41-36T&7T

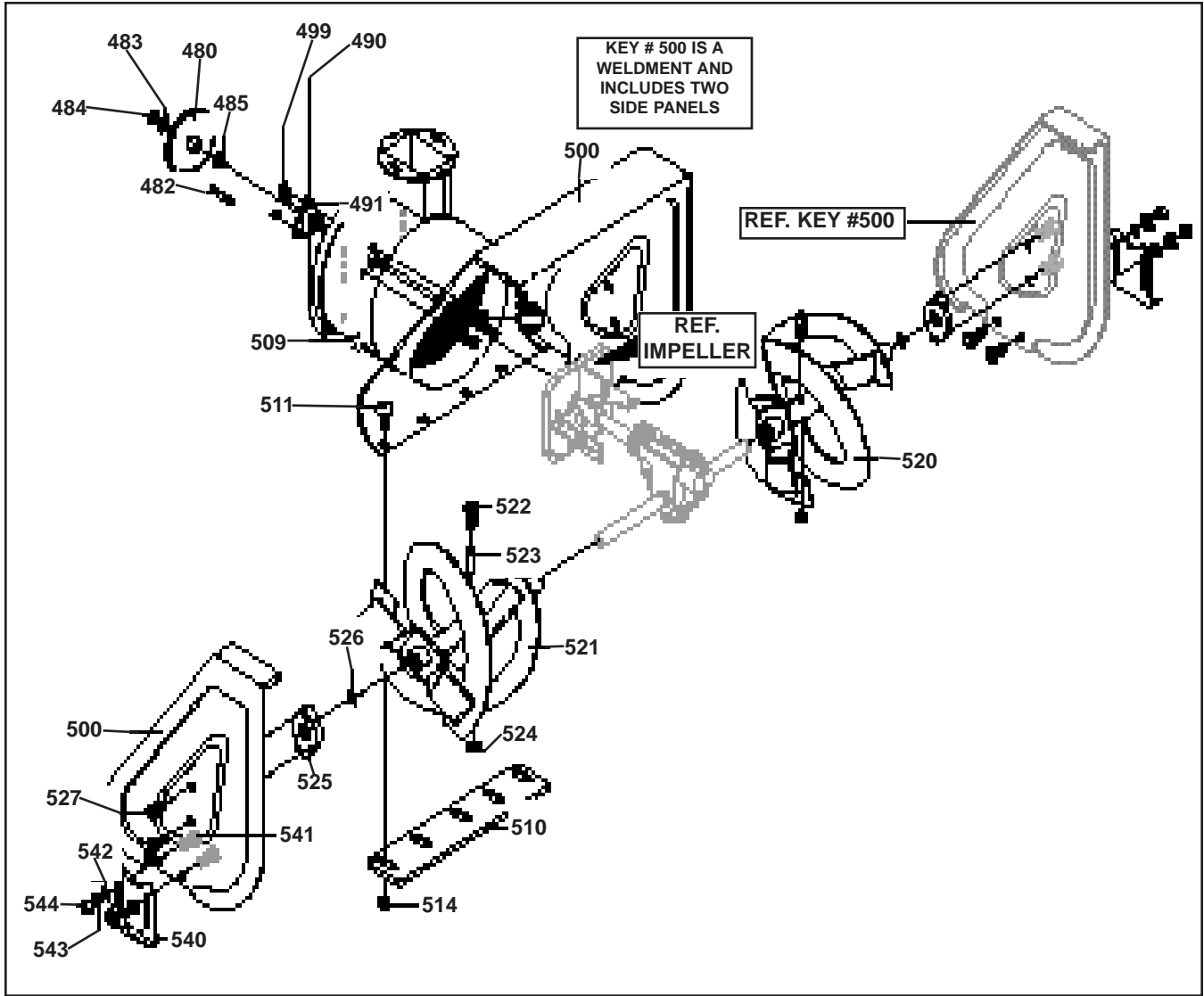
ST824 Gear Case Assembly



REF	NO.	PART NO.	PART NAME
	300	601 00 14 83	CASE, GEAR RH
	301	601 00 14 88	CASE, GEAR LH
	303	601 00 14 43	SCREW, 5/16-24X1.00
	304	601 00 08 23	NUT, 5/16-24
	305	601 00 16 07	SCREW, 5/16-24X1.50
	306	601 00 14 90	PIPE PLUG
	310	601 00 23 24	SEAL, OIL
	311	601 00 14 92	BEARING, SLEEVE
	312	601 00 14 93	WASHER, FLAT
	313	601 00 24 27	SHAFT, AUGER OUTPUT
	314	601 00 14 95	GASKET, GEAR BOX
	315	601 00 14 96	WORM GEAR
	316	601 00 14 97	KEY, WDRF

REF	NO.	PART NO.	PART NAME
	320	601 00 14 98	RING, QUAD
	321	601 00 14 99	BRNG, FL
	322	601 00 23 26	FLATWASHER
	323	601 00 15 01	BEARING, ROLL
	324	601 00 23 26	FLATWASHER .752X1.24X.093PL
	326	601 00 15 02	KEY, HI-PRO
	327	601 00 15 03	WORM GEAR
	330	601 00 15 04	BEARING, SLEEVE
	340	601 00 15 05	IMPEL, ASSY

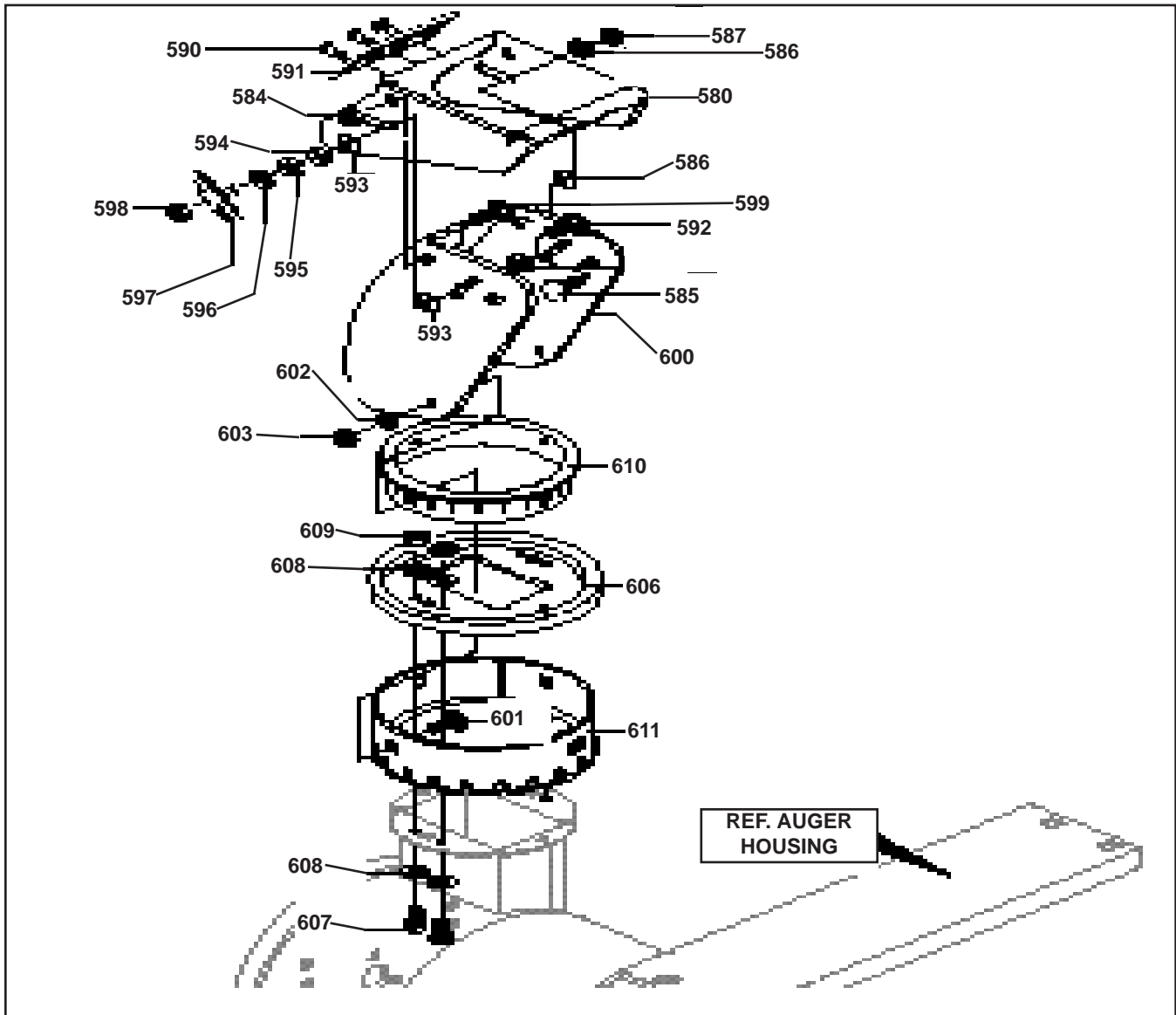
ST824 Auger Housing Assembly



REF NO.	PART NO.	PART NAME
480	601 00 16 09	PULLEY, V4L 8.40 OD
482	601 00 15 07	KEY, SQUARE
483	601 00 14 46	WASHER, FLAT .53 X1.00X.063
484	601 00 01 07	NUT, 1/2-20
485	601 00 16 10	SPACER, SLEEVE
490	601 00 15 09	RETAINER, BALL
491	601 00 05 39	BEARING, BALL
493	601 00 00 73	SCREW, 5/16-18X .75
499	601 00 20 36	NUT, 5/16-18
500	601 00 23 81	HSNG, ASSY
509	601 00 21 74	PLUG, CHRISTMAS TREE
510	601 00 23 82	BLADE, SCRAPER
511	601 00 14 11	BOLT, 5/16-18X.75 CARR.
514	601 00 20 36	NUT, 5/16-18 HXWDFLLK
520	601 00 23 83	AUGER, ASSY LH

REF NO.	PART NO.	PART NAME
521	601 00 23 84	AUGER, ASSY RH
522	601 00 14 56	SCREW, 1/4-20X1.75
523	601 00 15 17	SPACER, SLEEVE
524	601 00 23 18	NUT, 1/4-20 RGHXCTRLK
525	601 00 15 18	AUGER SHAFT BEARING
526	601 00 15 19	FLATWASHER 1.005X1.31X.035
527	601 00 05 20	SCREW, 5/16-18X .75
540	601 00 17 45	SKID, HEIGHT ADJUST
541	601 00 14 11	BOLT, 5/16-18X .75
542	601 00 00 18	FLATWASHER .344X.69X.065
543	601 00 00 23	WASHER, .328X.60X.09
544	601 00 00 12	NUT, 5/16-18 REGHEX

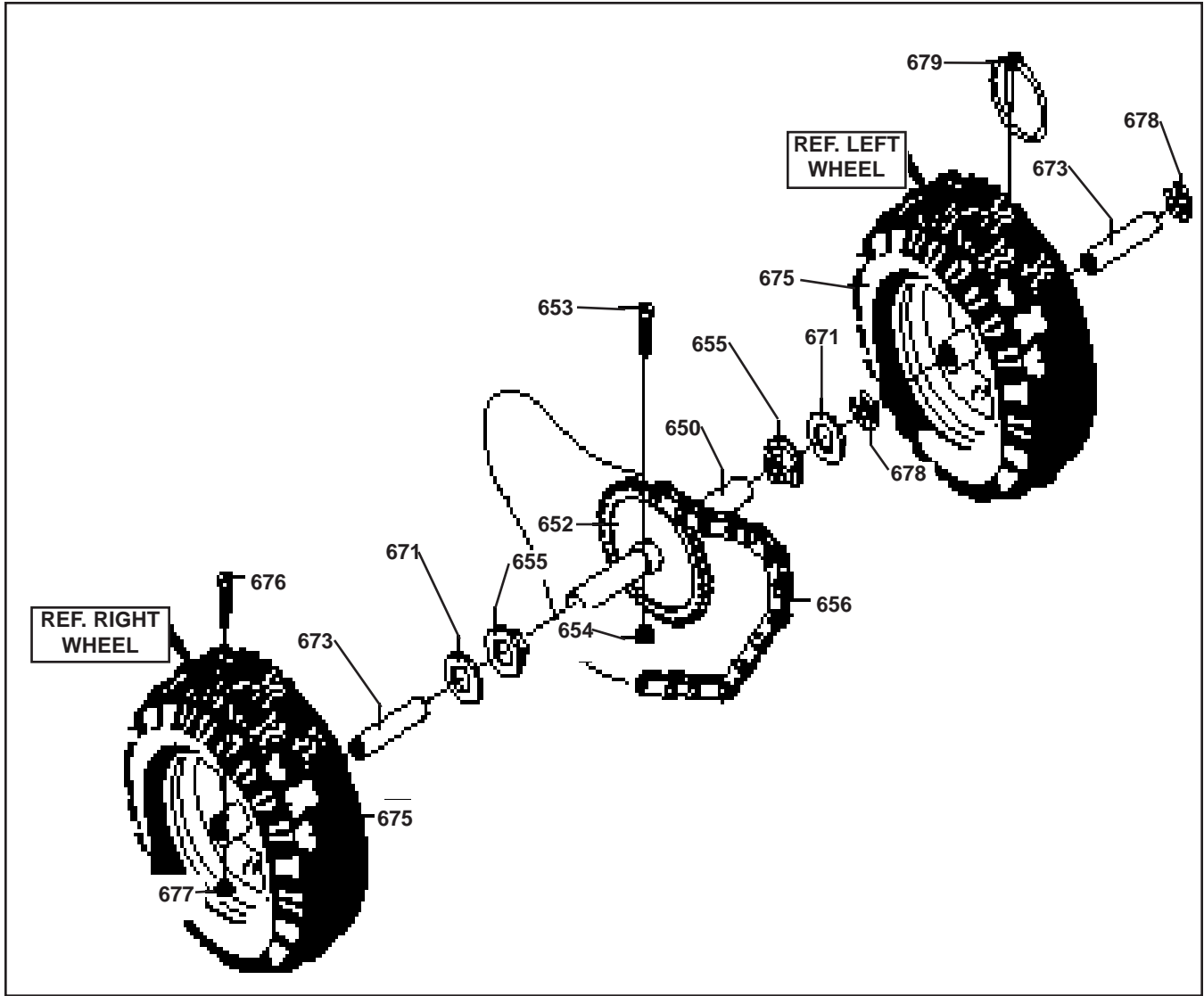
ST824 Chute Assembly



REF NO.	PART NO.	PART NAME
580	601 00 2425	CHUTE, UPPER
582	601 00 20 38	SCREW, 5/16-18X .75
584	601 00 14 64	NUT, 5/16-18
585	601 00 20 38	SCREW, 5/16-18X .75
586	601 00 15 24	WASHER, PLASTIC
587	601 00 14 64	NUT, 5/16-18
590	601 00 17 04	RIVET, POP
591	601 00 17 02	SKIRT, CHUTE EXT.
592	601 00 21 26	WASHER, PLASTIC
593	601 00 15 24	WASHER, PLASTIC
594	601 00 00 19	FLATWASHER .344X.69X.065
595	601 00 00 23	WASHER, SPLITLOCK
596	601 00 00 19	FLATWASHER .344X.69X.065

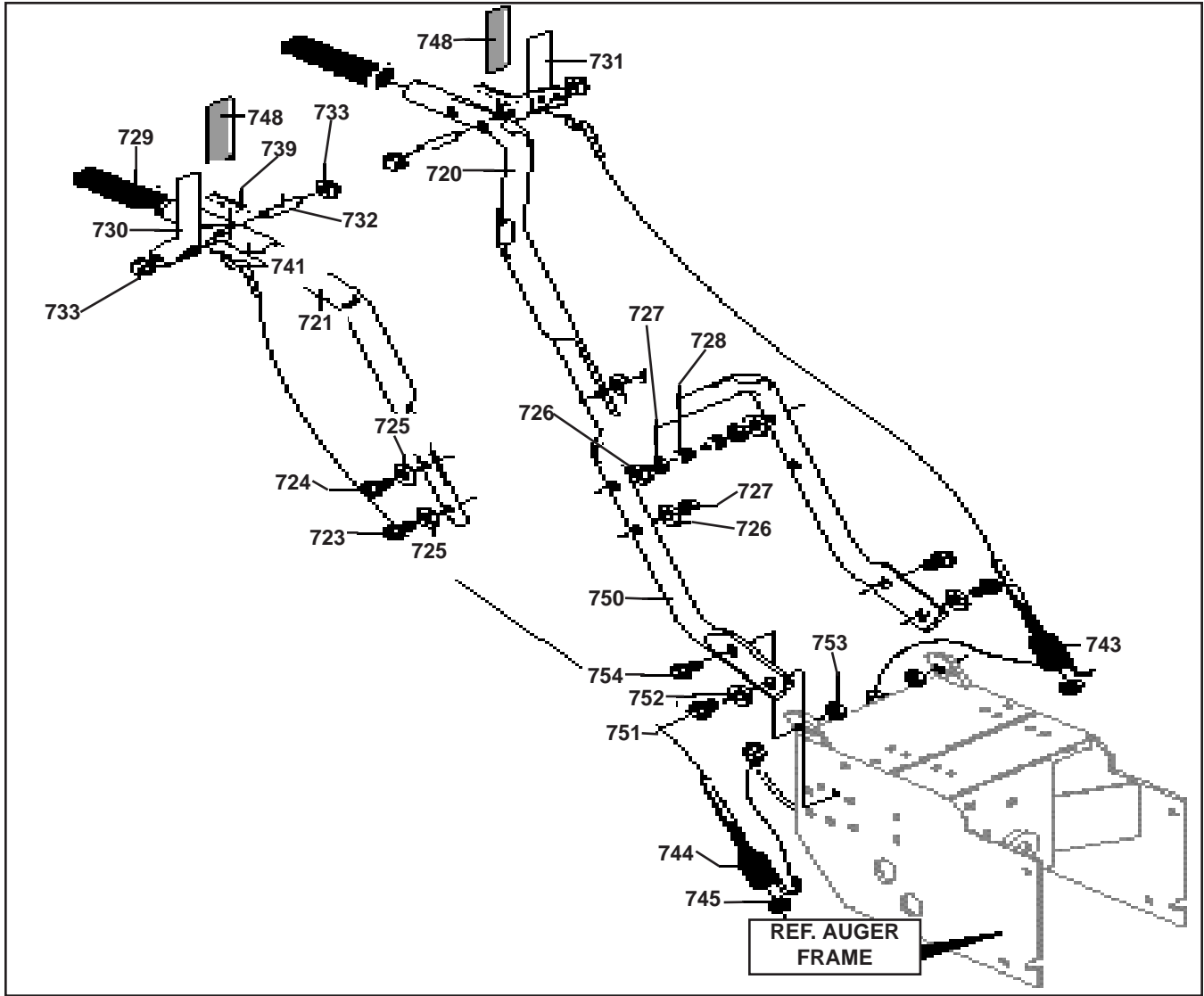
REF NO.	PART NO.	PART NAME
597	601 00 06 84	KNOB, T
598	601 00 00 12	NUT, 5/16-18 REGHEX
599	601 00 08 99	BOLT, 5/16-18X1.00
600	601 00 24 26	CHUTE, LOWER
601	601 00 20 40	BOLT, 5/16-18X1.00
602	601 00 00 19	FLATWASHER .344X .69X.065
603	601 00 14 64	NUT, 5/16-18
606	601 00 18 36	COLLAR, CHUTE
607	601 00 00 68	SCREW, 1/4-20X .75
608	601 00 00 18	FLATWASHER .281X .63X.065
609	601 00 23 18	NUT, 1/4-20 RGHXCTRLK
610	601 00 18 39	RETAINER, RING INNER
611	601 00 18 40	RETAINER, RING OUTER

ST824 Wheels Assembly



REF NO.	PART NO.	PART NAME
650	601 00 16 53	SHAFT, AXLE
652	601 00 16 54	SPRKT & HUB, ASSY
653	601 00 15 35	SCREW, 1/4-20X2.25
654	601 00 23 18	NUT, 1/4-20
655	601 00 15 36	BEARING, FLANGE
656	601 00 16 55	CHAIN, ROLLER420X 41P
671	601 00 14 38	FLATWASHER
673	601 00 17 46	BUSHING, WHEEL 4"LG
675	601 00 20 43	TIRE & RIM
676	601 00 15 39	SCREW, SHR 1/4-20X1.75
677	601 00 23 18	NUT, 1/4-20
678	601 00 15 40	RING, RET
679	601 00 15 41	PIN, KLIK .25 X 1.38 DIA

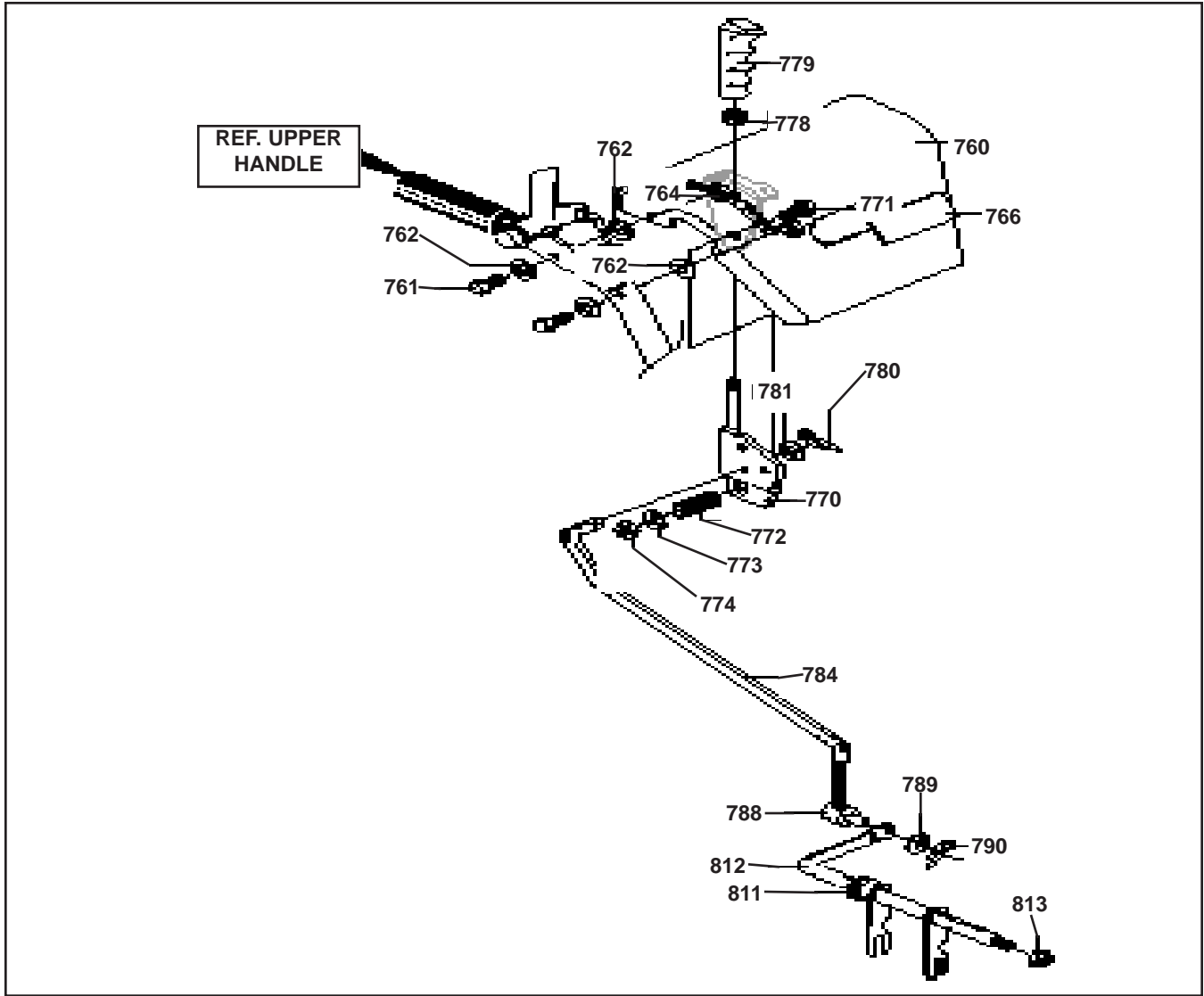
ST824 Handle Assembly



REF NO.	PART NO.	PART NAME
720	601 00 15 42	HANDLE, UPPER LH
721	601 00 15 43	HANDLE, UPPER RH
723	601 00 15 55	SCREW, 3/8-16X2.00
724	601 00 15 44	SCREW, 3/8-16X3.00
725	601 00 00 20	WASHER, FLAT .406X .81X.065
726	601 00 00 75	WASHER, 393X.68X.10
727	601 00 00 60	NUT, 3/8-16REGHXCTRLK
728	601 00 15 45	STOP, PLASTIC
729	601 00 15 46	GRIP, HANDLE
730	601 00 24 29	ASSY, CLUTCH LEVER RH
731	601 00 20 45	ASSY, CLUTCH LEVER LH
732	601 00 23 79	PIN, PIVOT CLUTCH

REF NO.	PART NO.	PART NAME
733	601 00 05 16	NUT, PUSH ON NUT
739	601 00 15 50	BUMPER, FLAT
741	601 00 15 51	CABLE, CLUTCH 32.19"
743	601 00 15 52	SPRING, TENSION
744	601 00 15 53	SPRING, AUGER CLUTCH
745	601 00 23 18	NUT, 1/4-20 RGHXCTRLK
748	601 00 23 80	GRIP, CLUTCH HANDLE
750	601 00 15 54	HANDLE, LOWER
751	601 00 05 20	SCREW, 5/16-18X .75
752	601 00 00 23	WASHER, .328X.60X.09
753	601 00 00 59	NUT, 5/16-18

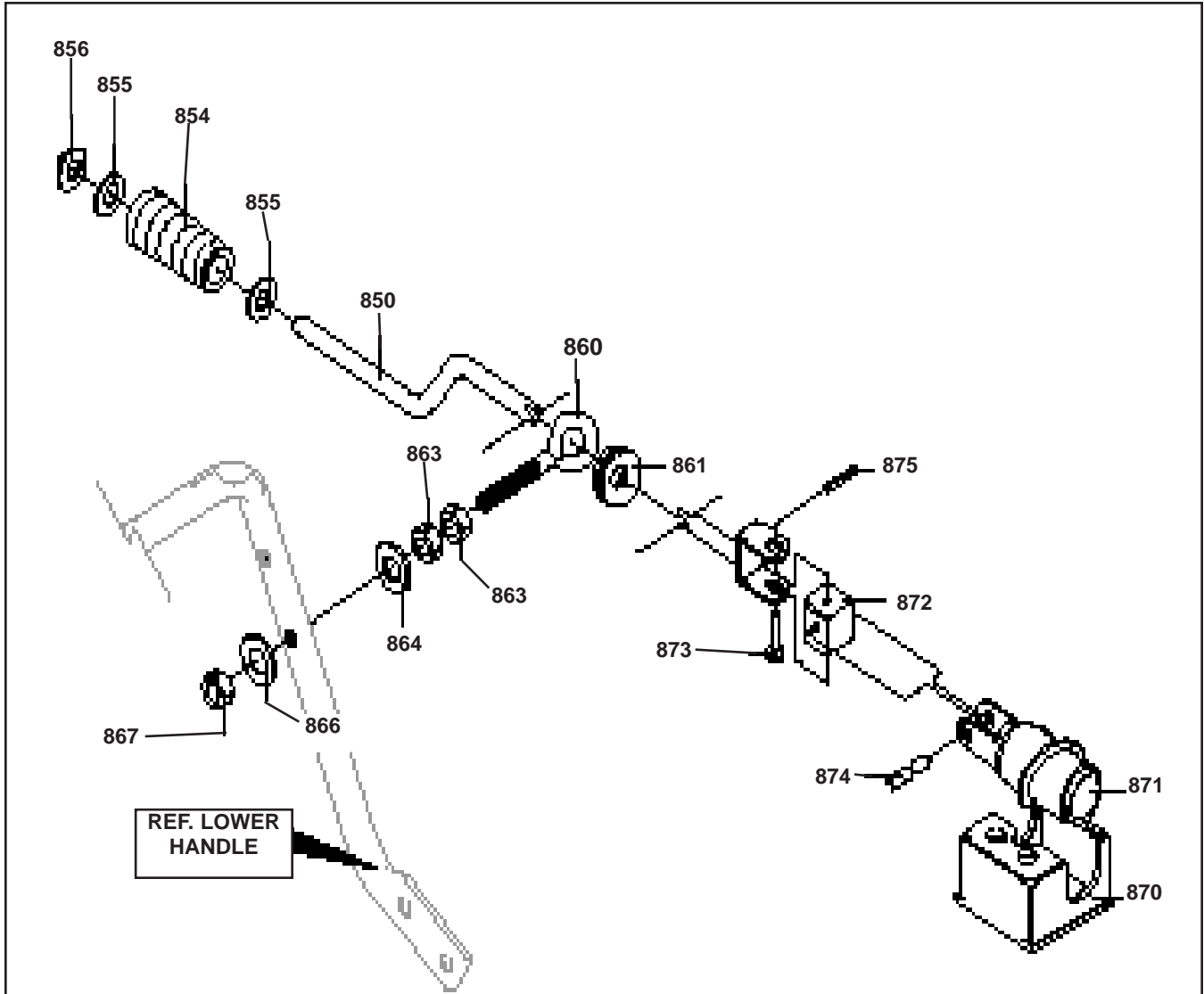
ST824 Panel Assembly



REF NO.	PART NO.	PART NAME
754	601 00 05 20	SCREW, 5/16-18X .75
760	601 00 23 78	ASSY, PANEL
761	601 00 01 80	SCREW 5/16-18X1.75
762	601 00 00 19	FLATWASHER
764	601 00 20 36	NUT 5/16-18 HEXWDFLLK
766	601 00 15 58	PLATE, PANEL
770	601 00 15 59	HANDLE ASSY SPD CTRL
771	601 00 15 55	SCREW 3/8-16X2.00
772	601 00 15 60	SPRING
773	601 00 00 20	FLATWASHER
774	601 00 06 53	NUT, 3/8-16 HEXNYL
778	601 00 00 60	NUT, 3/8-16RGHXCTRLK

REF NO.	PART NO.	PART NAME
779	601 00 02 36	HANDLE 3/8-16
780	601 00 00 25	PIN, COTTER
781	601 00 00 19	FLATWASHER
784	601 00 15 62	ROD, SPEED CONTROL
788	601 00 15 63	NUT, TRUNNION
789	601 00 00 19	FLATWASHER
790	601 00 00 25	COTTER PIN
811	601 00 15 64	BEARING, FLANGE
812	601 00 20 47	ROD, ASSY YOKE
813	601 00 00 60	NUT, 3/8-16RGHXCTRLK

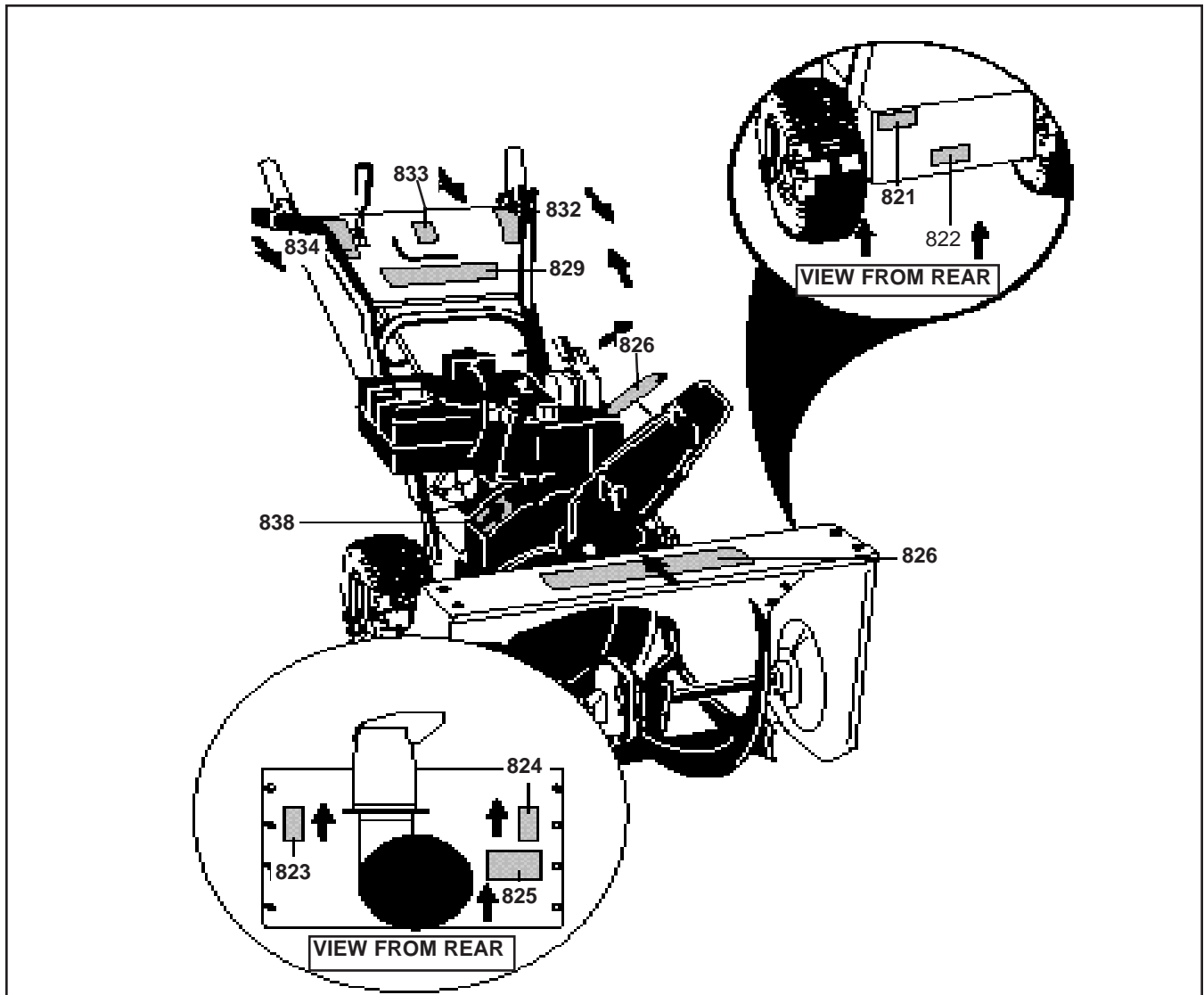
ST824 Chute Rod Assembly



REF NO.	PART NO.	PART NAME
850	601 00 17 49	CRANK, ASSY W/YOKE
854	601 00 15 69	KNOB, SLEEVE
855	01 00 00 20	WASHER, FLAT
856	601 00 18 63	NUT, PUSH ON 3/8"
860	601 00 17 50	BOLT, EYE 6"
861	601 00 14 08	GROMMET, EYE BOLT
863	601 00 14 09	NUT, 3/8-16 HEXJAM
864	601 00 00 20	WASHER, FLAT .406X .81X.065

REF NO.	PART NO.	PART NAME
866	601 00 00 20	WASHER, FLAT .406X .81X.065
867	601 00 06 53	NUT, 3/8-16
870	601 00 18 30	BRACKET, WORM
871	601 00 18 31	WORM, GEAR CHUTE
872	601 00 20 53	BLOCK, UNIVERSAL
873	601 00 20 54	PIN, CLEVIS
874	601 00 20 55	PIN, UNIV JOINT
875	601 00 18 35	PIN, COTTER .06X .50

ST824 Decals



REF NO.	PART NO.	PART NAME
821 -	NOT A SERVICABLE PART	
822	601 00 23 74	DECAL, OVER ADJ OF DISC
823	601 00 23 30	DECAL, DANGER CHUTE
824	601 00 23 29	DECAL, DANGER AUGER
825	601 00 23 31	DECAL, DANGER
826	601 00 23 75	DECAL, ST824E
829	601 00 20 97	DECAL, CROWN
832	601 00 15 81	DECAL, TRACTION DRIVE
833	601 00 23 76	DECAL, SNOW CONDITIONS
834	601 00 15 83	DECAL, GEAR SELECT
835	601 00 21 72	DECAL, CONTROL PANEL
838	601 00 23 77	DECAL, BELT STRETCH & ADJ