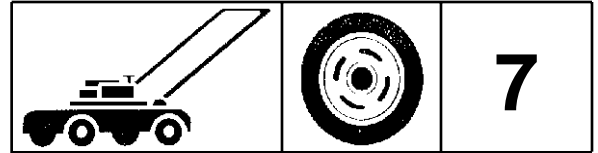
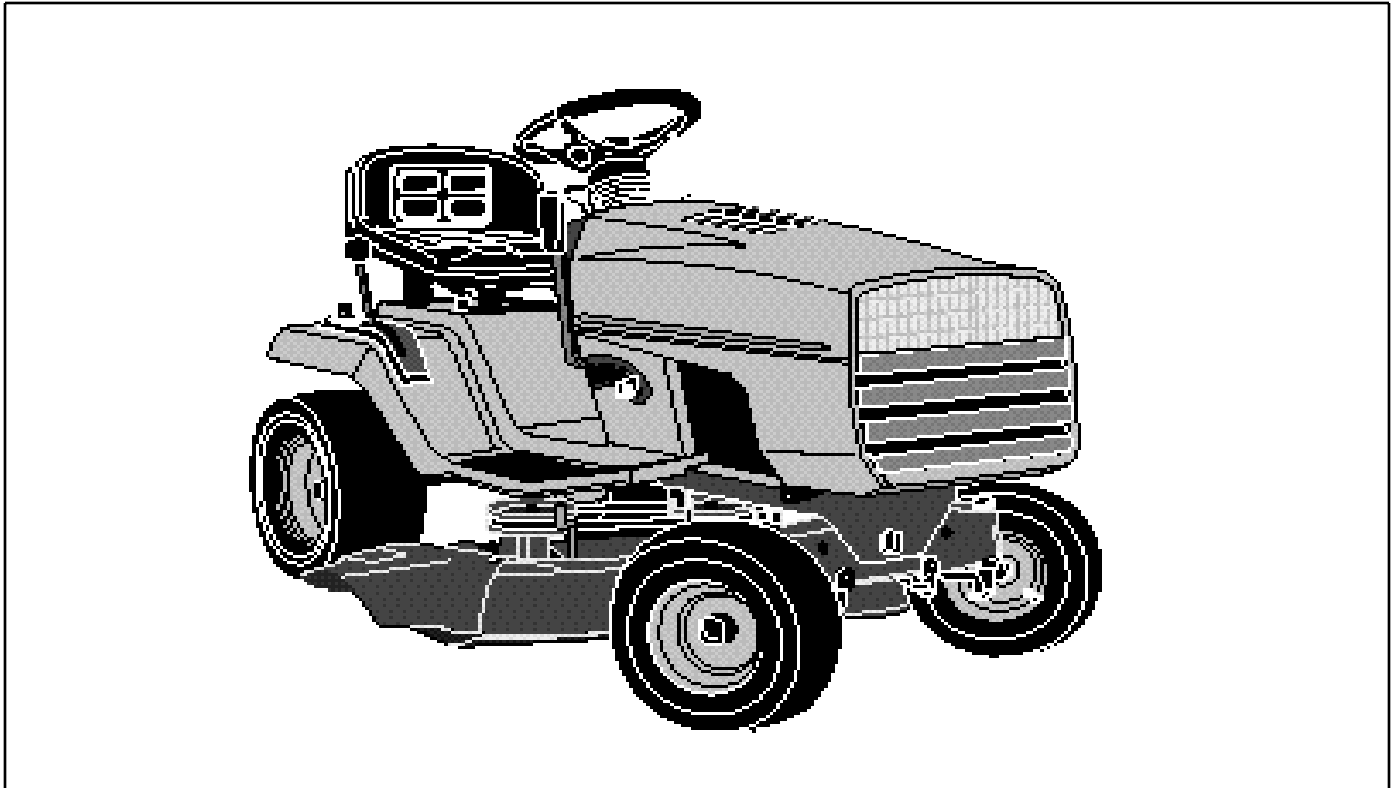


For Husqvarna Parts Call 606-678-9623 or 606-561-4983

 **Husqvarna**



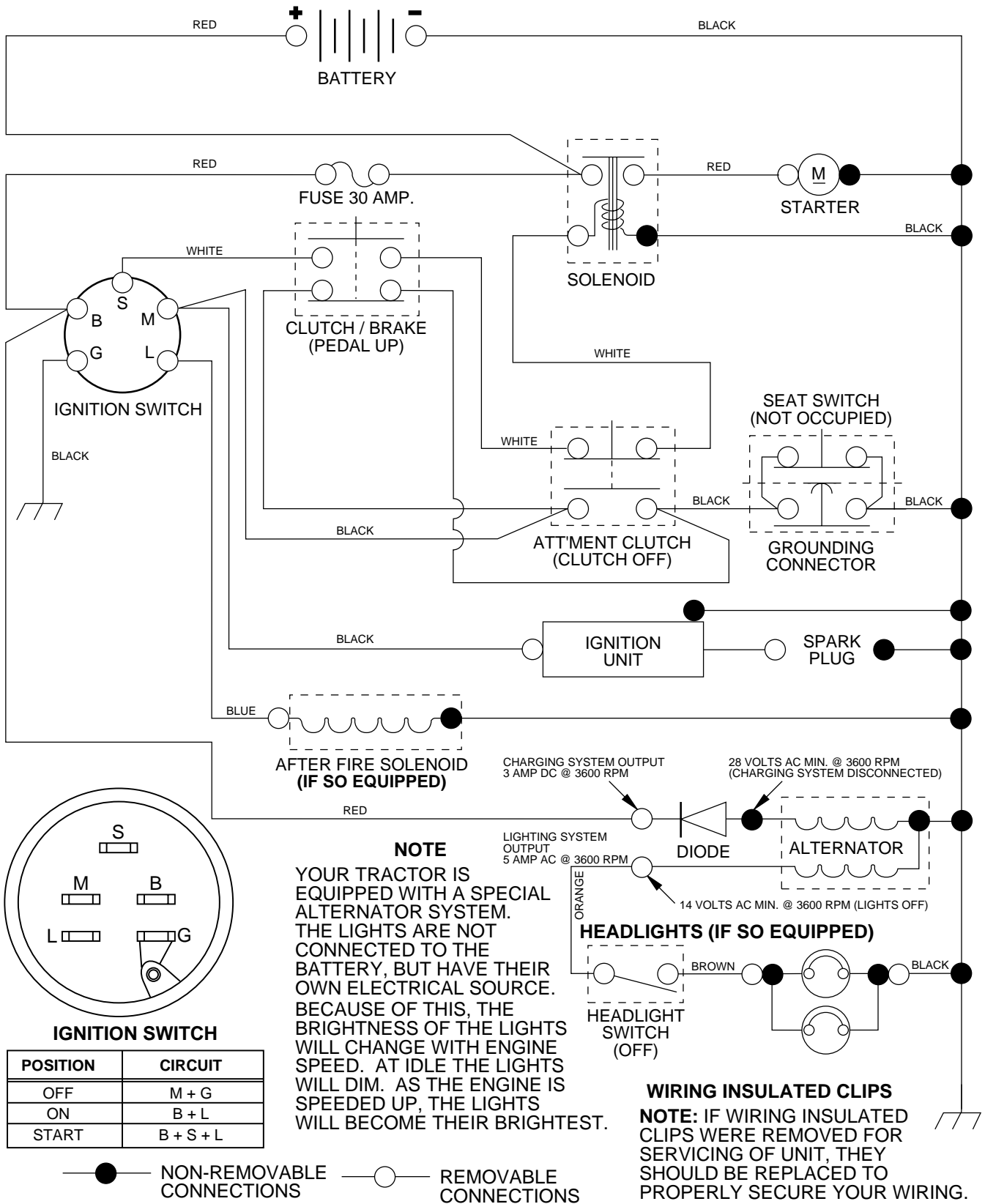
LR 121



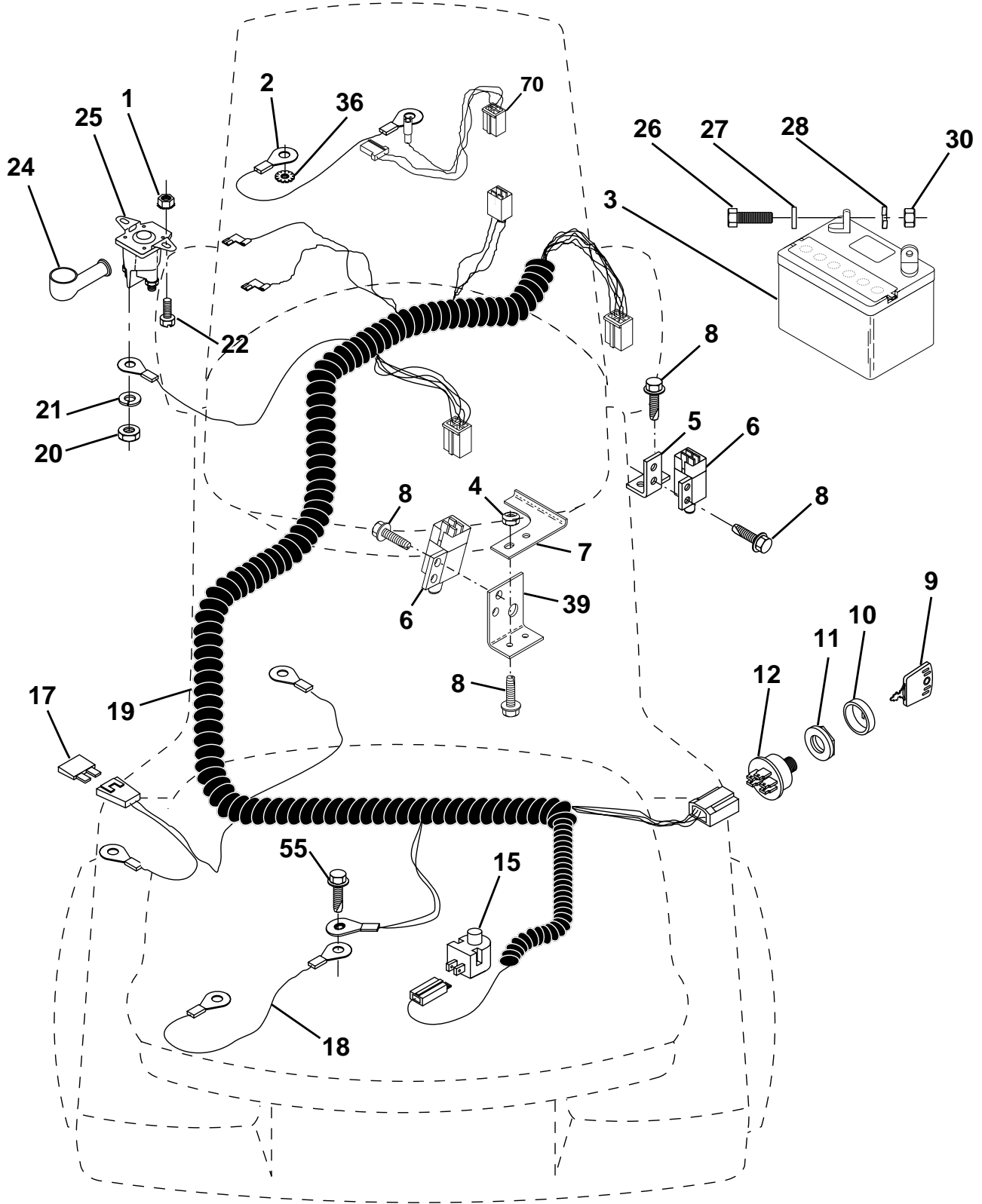
1.1997
Spare Parts

954 14 00-01B

SCHEMATIC



ELECTRICAL



For Husqvarna Parts Call 606-678-9623 or 606-561-4983

REPAIR PARTS

TRACTOR - - MODEL NUMBER LR121 (954140001B)

ELECTRICAL

KEY NO.	PART NO.	DESCRIPTION
1	873640400	Nut, Hex Keps 1/4-20
2	532108423	Assembly, Cable
3	532144924	Battery
4	532069180	Nut, Lock #10-24 UNC
5	532108236	Bracket, Switch
6	532109553	Switch, Interlock (4-terminal)
7	532146374	Keeper Actuator
8	817021008	Screw, Hex Hd. Tap #10-24 x 1/2
9	532140402	Key, Steel Delta
10	532141226	Cover, Key Ignition
11	532140400	Nut, Ignition
12	532144921	Switch, Ignition
15	532121305	Switch, Plunger
17	532108824	Fuse
18	532128353	Assembly, Cable
19	532146063	Harness, Ignition
20	873350400	Nut, Hex Jam 1/4-20
21	810090400	Washer, Lock 1/4
22	871110408	Bolt, Fin. Hex 1/4-20 UNC x 1/2 Gr. 5
24	532131563	Cover, Terminal
25	532145673	Solenoid
26	874760412	Bolt, Hex Hd. 1/4-20 UNC x 3/4
27	819091016	Washer 9/32 x 5/8 x 16
28	810040400	Washer, Lock 1/4
30	873220400	Nut, Fin. Hex 1/4-20 UNC
36	811150400	Washer, Lock Inter. Tooth 1/4
39	532141735	Bracket, Switch Clutch
55	817490508	Screw Thdrol 5/16-18 x 1/2
70	532140413	Harness, Engine

NOTE: All component dimensions given in U.S. inches
1 inch = 25.4 mm

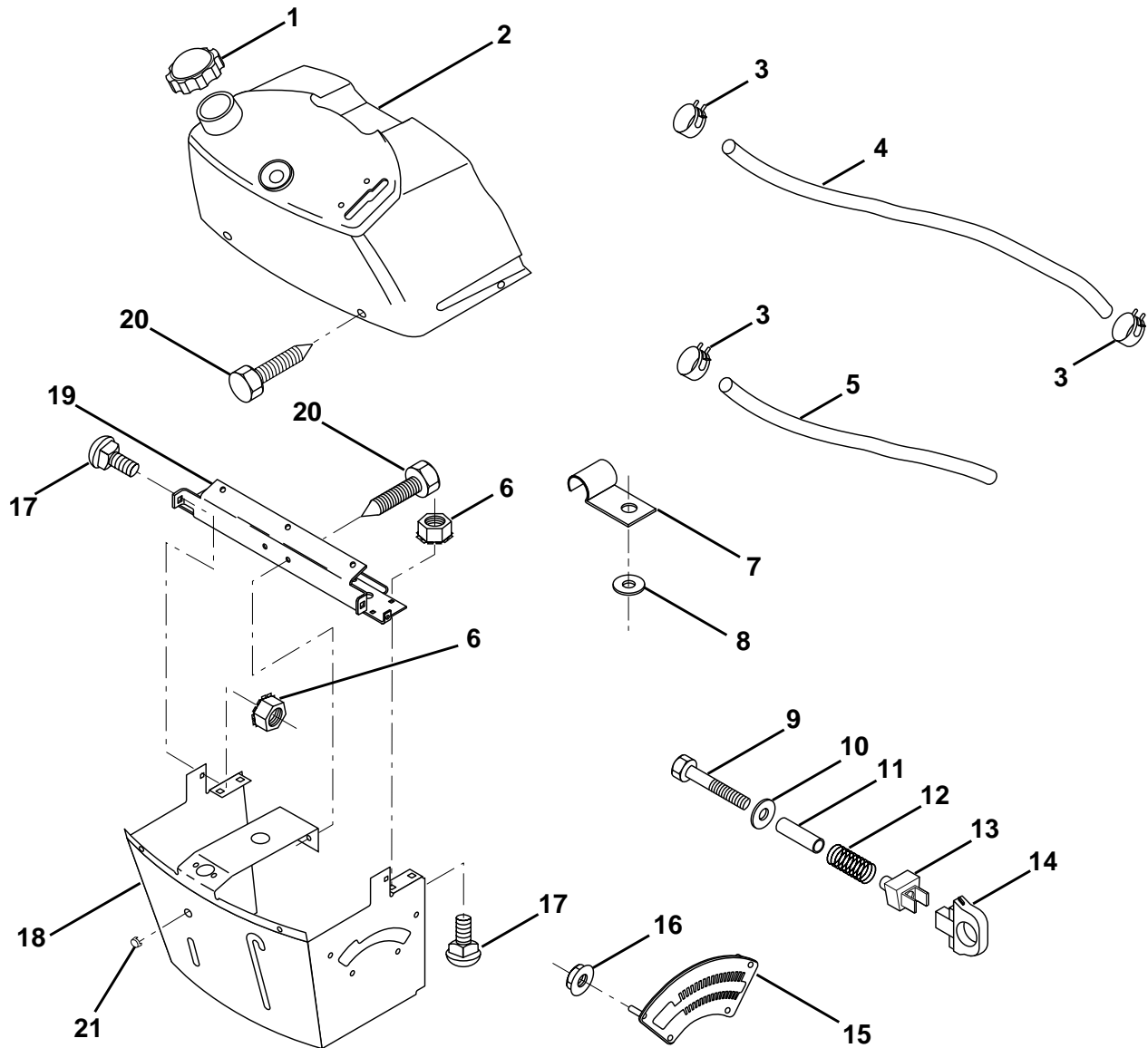
HARDWARE SHOWN LARGER FOR EASIER IDENTIFICATION

For Husqvarna Parts Call 606-678-9623 or 606-561-4983

REPAIR PARTS

TRACTOR - - MODEL NUMBER LR121 (954140001B)

DASH



KEY NO.	PART NO.	DESCRIPTION	KEY NO.	PART NO.	DESCRIPTION
1	532142187	Cap, Fuel	13	532126450	Clip, Height Adjustment
2	532138394	Assembly, Dash & Fuel Tank	14	532126115	Knob, Height Stop
3	532123487	Clamp, Hose	15	532122023	Adjustment, Quadrant Height
4	532008544	Line, Fuel	16	532124346	Nut, Self-Threading 3/16-18
5	532008548	Line, Fuel	17	872110404	Bolt, Carriage 1/4-20 x 1/2 Gr. 5
6	873640400	Nut, Hex, Keps 1/4-20	18	532130745	Support Assembly, Dash
7	532124996	Clip, Fuel Line	19	532134744	Brace, Cross
8	819091216	Washer 9/32 x 3/4 x 16 Ga.	20	817060408	Screw, Self-Tapping 1/4-20 x 1/2
9	874760428	Bolt, Hex, Fin 1/4-20 x 1-3/4	21	532134014	Plug Dome Black
10	819091413	Washer 11/32 x 11/16 x 16 Ga.			
11	532121249	Spacer, Split			
12	532003720	Spring			

NOTE: All component dimensions given in U.S. inches
1 inch = 25.4 mm

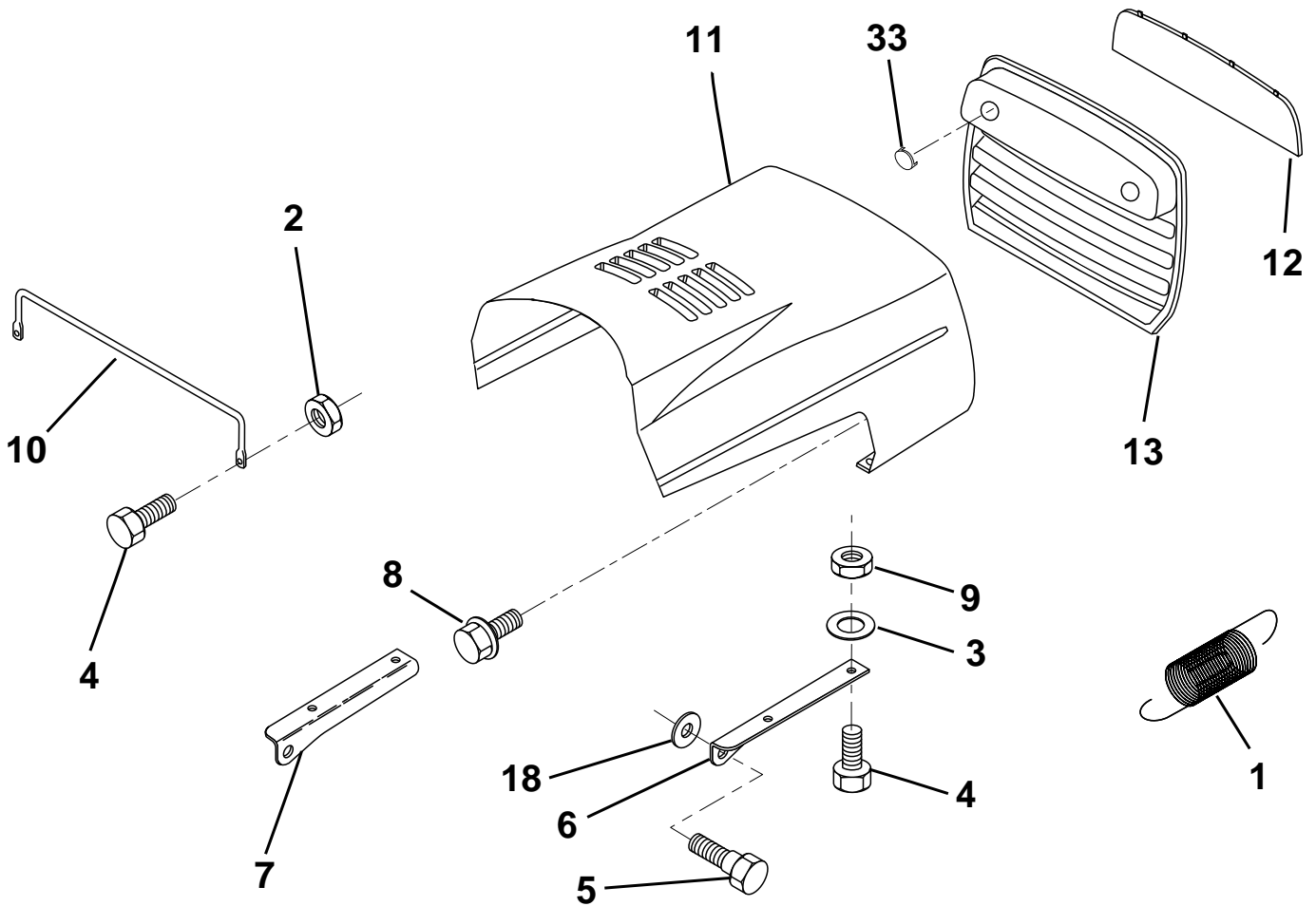
HARDWARE SHOWN LARGER FOR EASIER IDENTIFICATION

For Husqvarna Parts Call 606-678-9623 or 606-561-4983

REPAIR PARTS

TRACTOR - - MODEL NUMBER LR121 (954140001B)

HOOD



KEY NO.	PART NO.	DESCRIPTION
1	532124657	Extension, Spring
2	873510400	Nut, Hex, Keps 1/4-20
3	819091416	Washer, 9/32 x 7/8 x 16 Ga.
4	874780412	Bolt, Hex Fin 1/4-20 x 3/4 Gr. 5
5	532139888	Bolt , Shoulder
6	532122549	Bracket, Hood R. H.
7	532122548	Bracket, Hood L.H.
8	817521312	Screw Sltd. Hex Hd W/PL Washer
9	873800400	Nut Lock W/Insert 1/4-20 UNC

KEY NO.	PART NO.	DESCRIPTION
10	532123693	Brace, Hood
11	532140463	Hood
12	532122035	Lens Clear Bar
13	532142325	Grill
18	819111116	Washer 11/32 x 11/16 x 16 Ga.
33	532131319	Plug socket light

NOTE: All component dimensions given in U.S. inches
1 inch = 25.4 mm

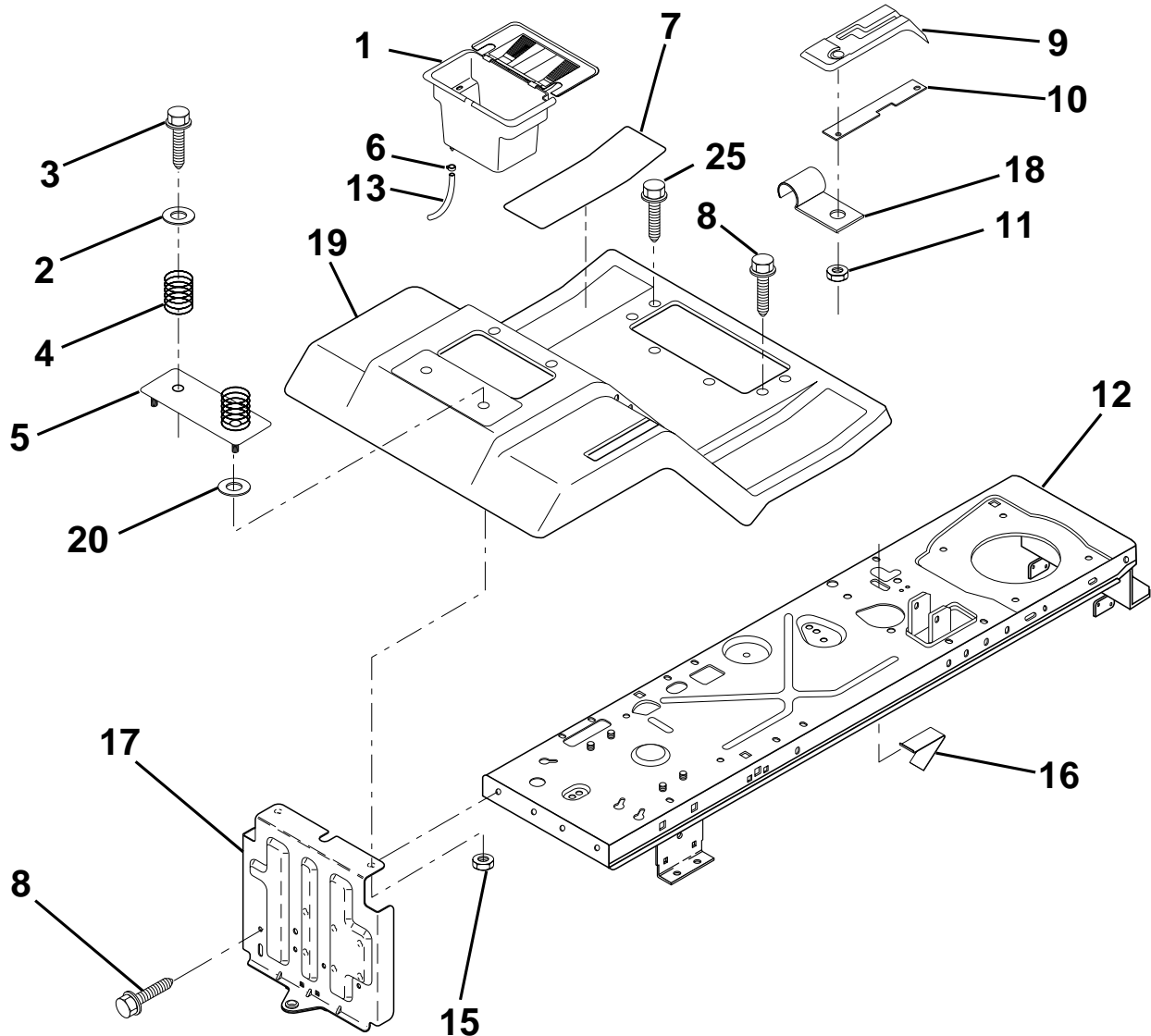
HARDWARE SHOWN LARGER FOR EASIER IDENTIFICATION

For Husqvarna Parts Call 606-678-9623 or 606-561-4983

REPAIR PARTS

TRACTOR - - MODEL NUMBER LR121 (954140001B)

FENDER / CHASSIS



KEY NO.	PART NO.	DESCRIPTION
1	532156417	Case, Battery
2	819132012	Washer 13/32 x 1-1/4 x 12 Ga.
3	817490612	Screw, Hex Wsh. Thrdrol. 3/8-16 x 3/4
4	532124181	Spring, Compression, Seat
5	532125142	Plate, Asm. Battery
6	532109596	Clamp, Hose
7	532124144	Pad, Footrest
8	817490512	Screw, Hex Wsh Thdrol. 5/16-18 x 3/4
9	532126996	Console, Shift Control
10	532139783	Bar, Shift Lock
11	532124346	Nut, Self-Thrd., Wsh. Head 3/16

KEY NO.	PART NO.	DESCRIPTION
12	532145190	Assembly, Frame
13	532109238	Tube, Battery Drain
15	873640400	Nut, Keps Hex 1/4-20 UNC
16	532141736	Switch Actuator
17	532140782	Drawbar
18	532126470	Clip, Insulated
19	532141393	Fender/Footrest
20	819091413	Washer 9/32 x 7/8 x 13 Ga.
25	817190516	Screw Hex Wsh Thdroll 5/16-18 x 1

NOTE: All component dimensions given in U.S. inches
1 inch = 25.4 mm

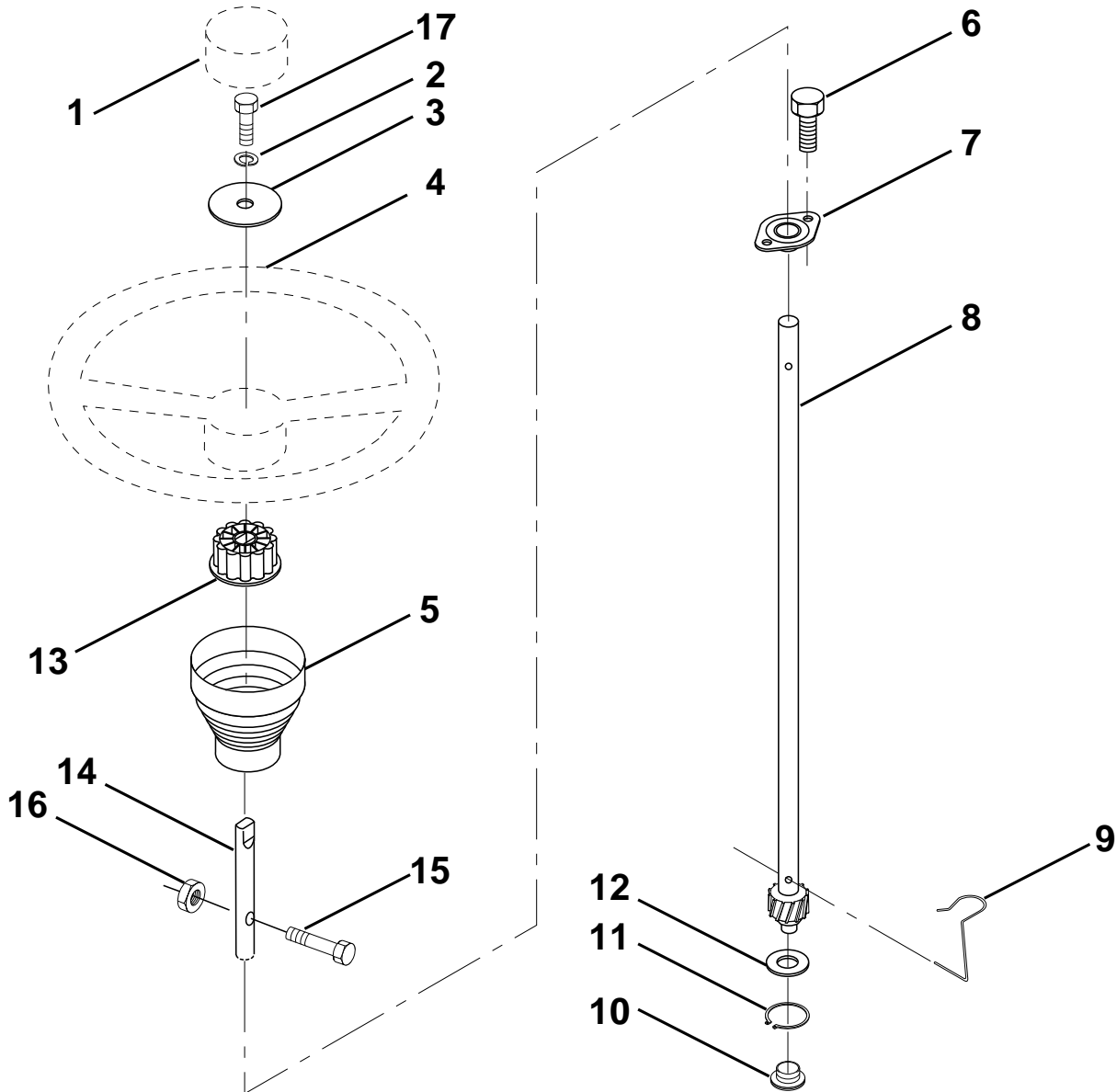
HARDWARE SHOWN LARGER FOR EASIER IDENTIFICATION

For Husqvarna Parts Call 606-678-9623 or 606-561-4983

REPAIR PARTS

TRACTOR - - MODEL NUMBER LR121 (954140001B)

STEERING WHEEL



KEY NO.	PART NO.	DESCRIPTION
1	532124416	Insert, Wheel, Steering
2	810040600	Washer, Lock hvy HLCL SPR 3/8
3	819133808	Washer 12/32 x 2-3/8 x 8 Ga.
4	532124415	Wheel, Steering
5	532127396	Sleeve, Steering
6	532152927	Screw, TT #10-32.5.3/8 flange
7	532155104	Bushing, Steering
8	532147391	Shaft, Steering
9	532124210	Clip, Steering
10	532123438	Bushing, Lower, Steering

KEY NO.	PART NO.	DESCRIPTION
11	812000045	Ring, Retaining
12	819211616	Washer 21/32 x 1 x 16 Ga.
13	532100711	Adaptor, Wheel, Steering
14	532153720	Extension shaft steering
15	874780520	Bolt Fin Hex 5/16-18 UNC x 1-1/4
16	873800500	Nut Lock Hex W/Ins. 5/16-18 UNC
17	874780616	Bolt fin Hex 3/8-16 UNC x 1. Gr. 5

NOTE: All component dimensions given in U.S. inches
1 inch = 25.4 mm

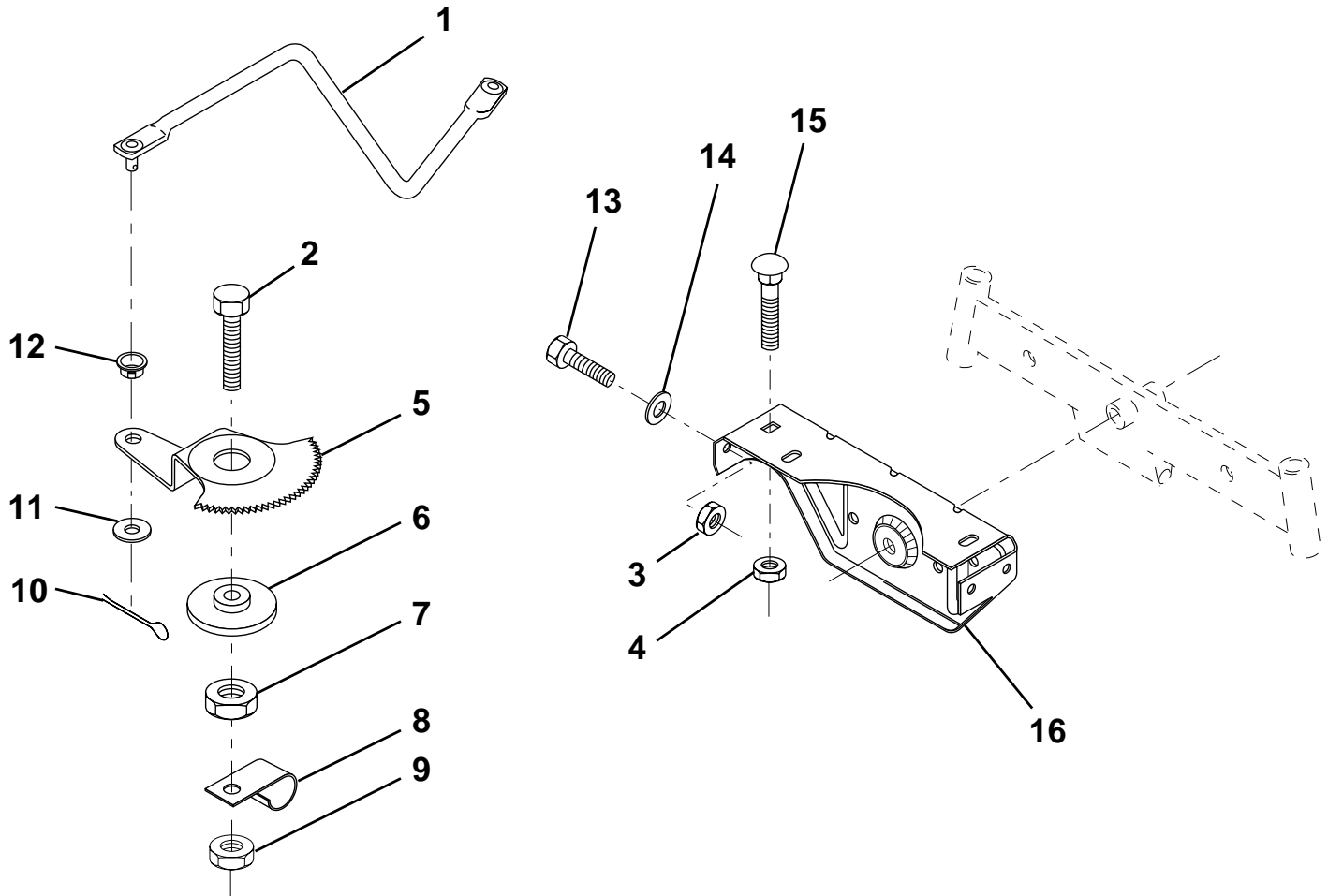
HARDWARE SHOWN LARGER FOR EASIER IDENTIFICATION

For Husqvarna Parts Call 606-678-9623 or 606-561-4983

REPAIR PARTS

TRACTOR - - MODEL NUMBER LR121 (954140001B)

SECTOR GEAR / AXLE SUPPORT



KEY NO.	PART NO.	DESCRIPTION
1	532132566	Link, Drag
2	874780828	Bolt, Fin Hex 1/2-13 x 1-3/4
3	873680500	Nut, Crownlock 5/16-18
4	873680600	Nut, Crownlock 3/8-16 UNC
5	532121926	Gear, Sector
6	532121927	Bushing
7	873030800	Nut, Heavy Hex Top Lock 1/2-13 UNC
8	532126472	Clip, Insulated

KEY NO.	PART NO.	DESCRIPTION
9	873680800	Nut, Crownlock 3/8-16
10	876020412	Pin, Cotter 1/8 x 3/4
11	819131316	Washer, 13/32 x 13/16 x 16 Ga.
12	532126847	Bushing
13	874760512	Bolt, Hex Hd. 5/16-18 UNC x 3/4
14	819111416	Washer 11/32 x 7/8 x 16 Ga.
15	872110606	Bolt, Carriage 3/8-16 UNC x 3/4
16	532137096	Support, Front Axle

NOTE: All component dimensions given in U.S. inches
1 inch = 25.4 mm

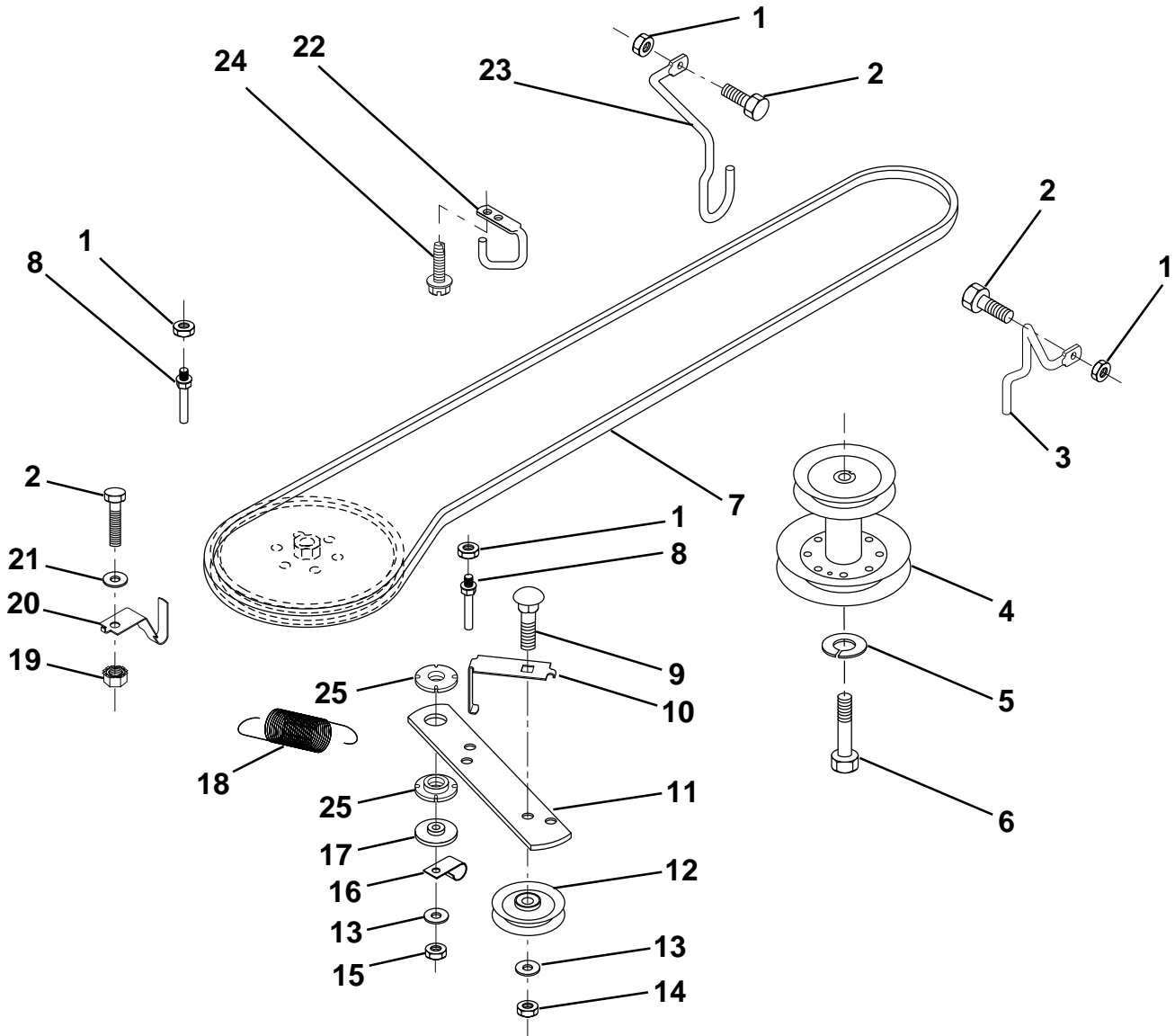
HARDWARE SHOWN LARGER FOR EASIER IDENTIFICATION

For Husqvarna Parts Call 606-678-9623 or 606-561-4983

REPAIR PARTS

TRACTOR - - MODEL NUMBER LR121 (954140001B)

GROUND DRIVE



KEY NO.	PART NO.	DESCRIPTION	KEY NO.	PART NO.	DESCRIPTION
1	873680500	Nut, Crownlock 5/16-18	15	873680600	Nut, Crownlock 3/8-16 UNC
2	874760512	Bolt, Hex Hd 5/16-18 UNC x 3/4	16	532126471	Clip, Insulated
3	532141342	Keeper, Mower Drive, R. H.	17	532150932	Spacer, Retainer
4	532138029	Pulley, Engine	18	532131459	Spring Extension
5	810040700	Washer, Lock 7/16	19	873510500	Nut, Keps 5/16-18 UNC
6	871170744	Bolt Hex 7/16-20 Gr. 5	20	532139919	Keeper, T/A Ground Drive Belt
7	532126520	Traction, V-Belt Drive	21	819111016	Washer 11/32 x 5/8 x 16 Ga.
8	532123405	Keeper, T/A Ground Drive Belt	22	532123404	Keeper, Frame Ground Drive Belt
9	872140612	Bolt, Carr. 3/8-16 UNC x 1-1/2	23	532140916	Keeper, Mower Drive, L. H.
10	532123396	Keeper, Belt Ground Drive Idler	24	817720408	Screw, Thd. Cut 1/4-20 x 1/2
11	532150926	Arm, Ground Drive Clutch	25	532150935	Bushing Nylon Collered
12	532123674	Idler, Flat			
13	819131316	Washer 13/32 x 13/16 x 16 Ga.			
14	873930600	Nut, Centerlock 3/8-16 UNC			

NOTE: All component dimensions given in U.S. inches
1 inch = 25.4 mm

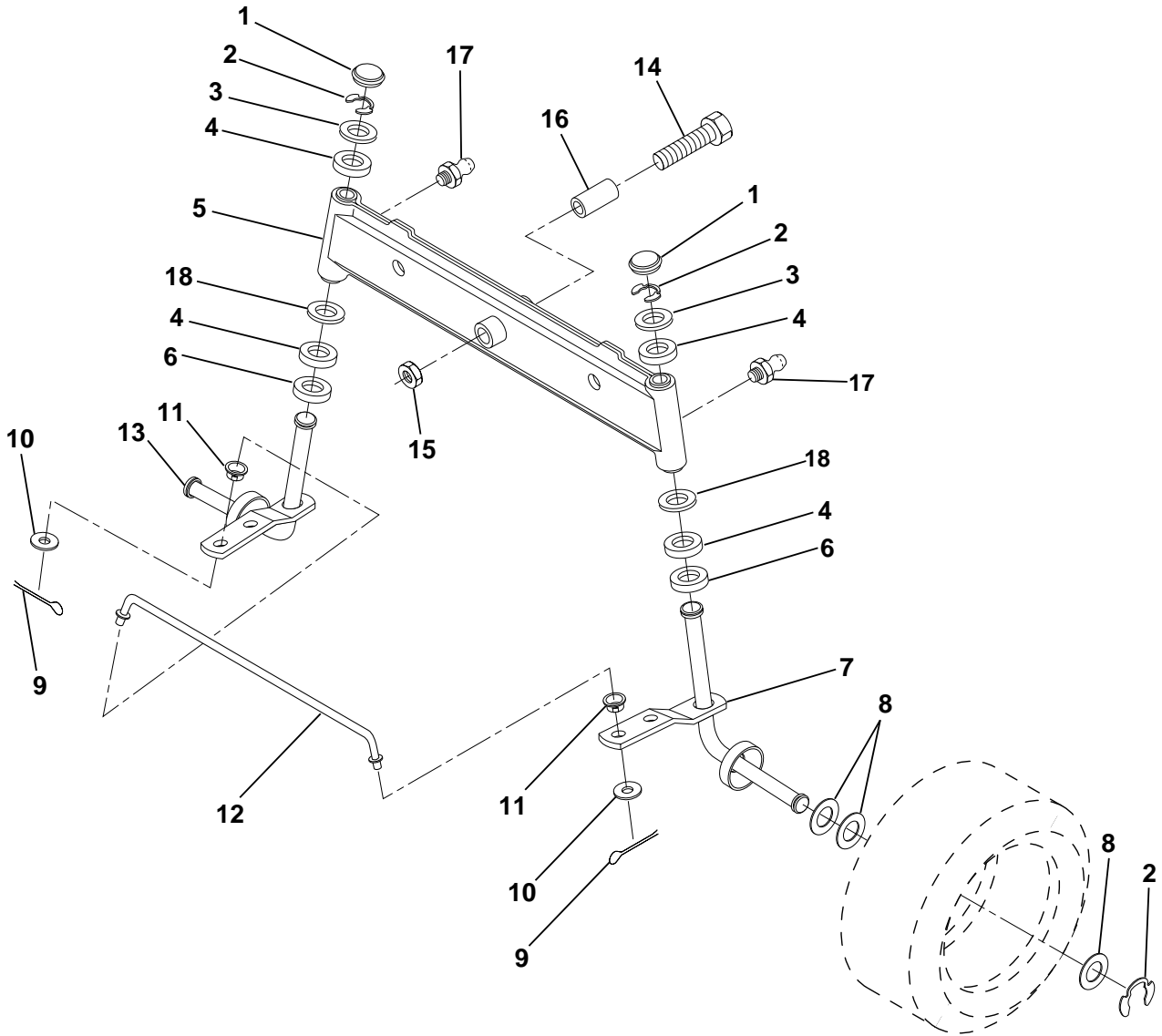
HARDWARE SHOWN LARGER FOR EASIER IDENTIFICATION

For Husqvarna Parts Call 606-678-9623 or 606-561-4983

REPAIR PARTS

TRACTOR - - MODEL NUMBER LR121 (954140001B)

FRONT AXLE



KEY NO.	PART NO.	DESCRIPTION
1	532121232	Cap, Spindle
2	812000029	Ring, Clip
3	532121748	Washer 25/32 x 1-5/8 x 16 Ga.
4	532124937	Nyliner
5	532142033	Axle, Front
6	532124931	Bearing, Thrust
7	532137062	Spindle, R.H. Asm.
8	532121749	Washer 25/32 x 1-1/4 x 16 Ga.
9	876020412	Pin, Cotter 1/8 x 3/4
10	819131316	Washer 13/32 x 13/16 x 16 Ga.

KEY NO.	PART NO.	DESCRIPTION
11	532126847	Bushing
12	532130465	Rod, Tie
13	532137061	Spindle, L.H. Asm.
14	874011056	Bolt Hex 5/1-11 x 3-1/2
15	873901000	Nut, Lock Flange 5/8-11
16	532110438	Spacer, Bearing Axle
17	532124836	Fitting, Grease
18	819272016	Washer 27/32 x 1-1/4 x 16 Ga.

NOTE: All component dimensions given in U.S. inches
1 inch = 25.4 mm

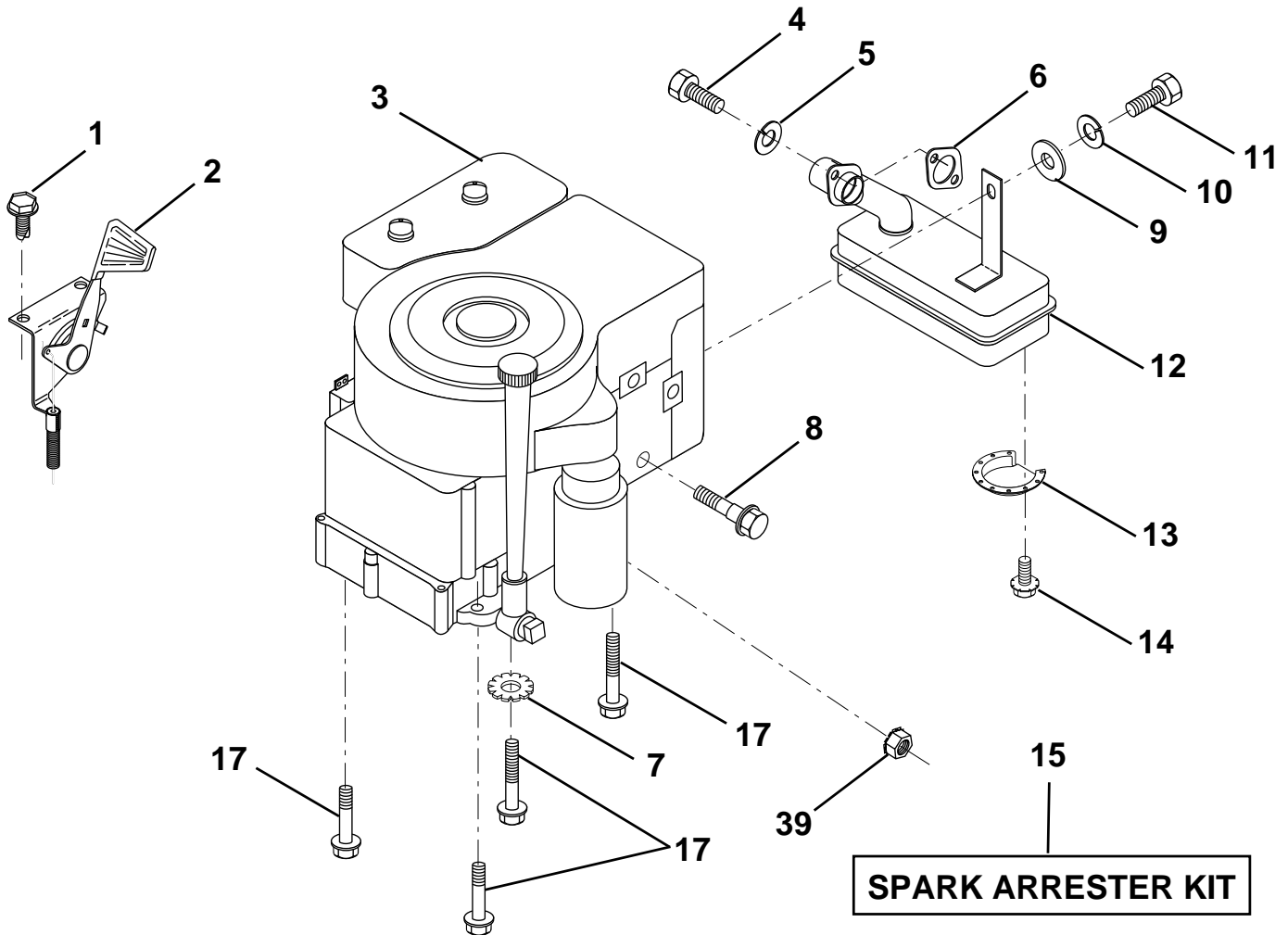
HARDWARE SHOWN LARGER FOR EASIER IDENTIFICATION

For Husqvarna Parts Call 606-678-9623 or 606-561-4983

REPAIR PARTS

TRACTOR - - MODEL NUMBER LR121 (954140001B)

ENGINE



KEY NO.	PART NO.	DESCRIPTION
1	817060408	Screw, Hex Thd. Cut 1/4-20 x 1/2
2	532132752	Control, Throttle
3	-----	Engine, Briggs and Stratton Model No. 285707
4	871070512	Screw, Hex, Cap 5/16-18 x 3/4
5	810040500	Washer, Lock Hvy Hcl Spring 5/16
6	532272293	Gasket, Exhaust
7	811050600	Washer Lock Ext. Tooth 3/8
8	532121094	Bolt, Shoulder 5/16
9	819101216	Washer 5/16 x 3/4 x 16
10	810040400	Washer, Lock Hvy Hcl Spring 1/4

KEY NO.	PART NO.	DESCRIPTION
11	-----	Bolt, Hex Fin. (Order From Eng. Mfg.)
12	532137437	Muffler
13	532101326	Deflector, Muffler
14	817030808	Screw, Spiderlock, Hex Hd 8 x 1/2
15	532137180	Arrester, Spark (Optional equipment)
17	817490624	Screw, Hex Washer Head, Thdrol. 3/8-16 x 1-1/2
39	532128861	Nut, Flange 1/4-20

NOTE: All component dimensions given in U.S. inches
1 inch = 25.4 mm

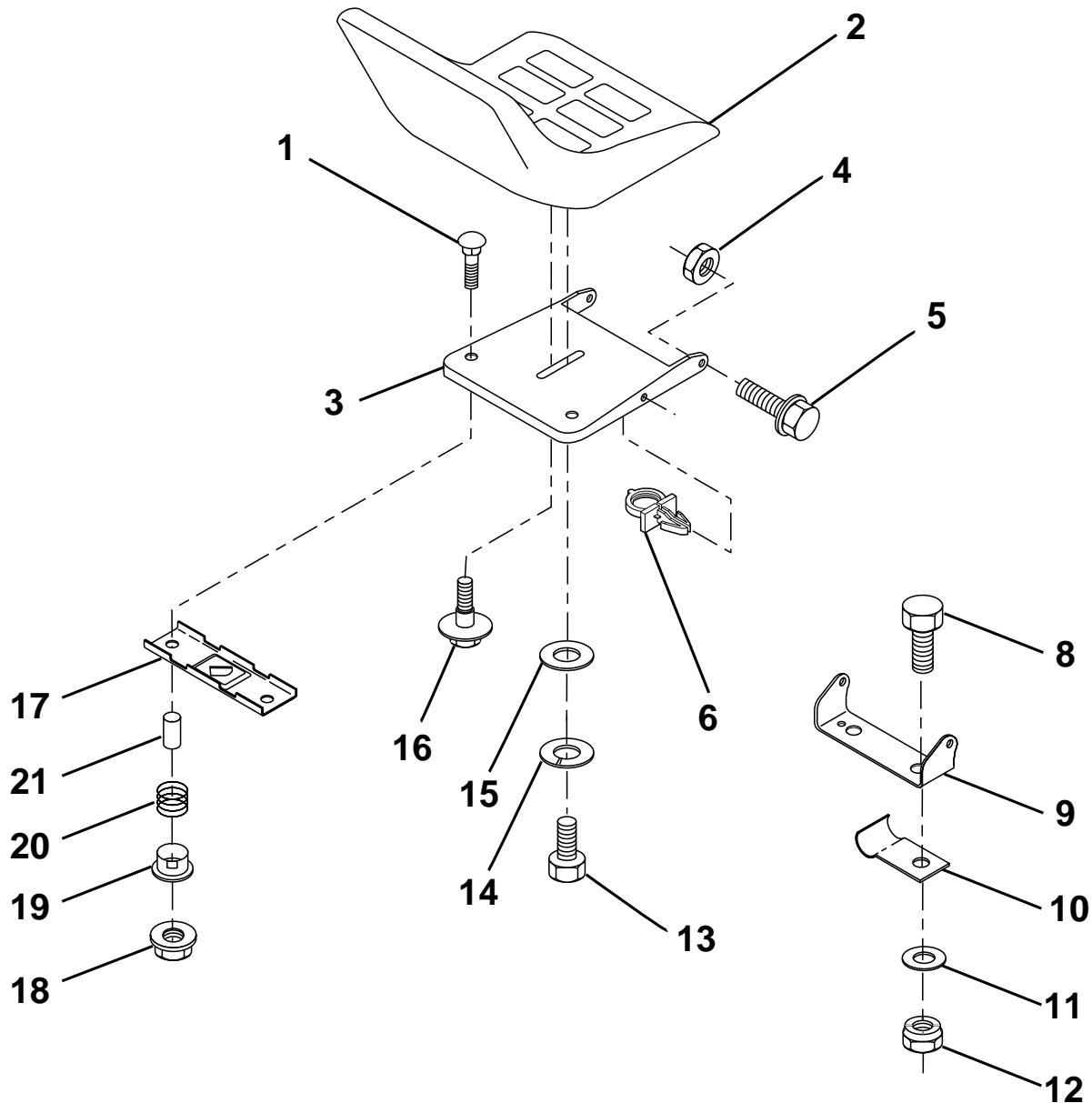
HARDWARE SHOWN LARGER FOR EASIER IDENTIFICATION

For Husqvarna Parts Call 606-678-9623 or 606-561-4983

REPAIR PARTS

TRACTOR - - MODEL NUMBER LR121 (954140001B)

SEAT



KEY NO.	PART NO.	DESCRIPTION
1	872050412	Bolt, Carriage 1/4-20 x 1-1/2
2	532140838	Seat
3	532155925	Pan, Seat
4	873800500	Locknut, Hex w/Ins 5/16-18
5	532153236	Bolt, Shoulder 5/16-18 UNC
6	532145006	Clip, Push-in
8	874760616	Bolt, Fin Hex 3/8-16 UNC x 1
9	532140551	Bracket, Pivot Seat
10	532126471	Clip, Insulated
11	819133210	Washer 12/32 x 2 x 10 Ga.
12	873800600	Nut, Lock Hex w/Wsh 3/8-16

KEY NO.	PART NO.	DESCRIPTION
13	874780814	Bolt Hex 1/2-13 x 7/8
14	810040800	Washer Lock Hvy. Hlcl Spring 1/2
15	819171912	Washer, 17/32 x 1-3/16 x 12 Ga.
16	532127018	Bolt, Shoulder
17	532121246	Bracket, Switch, Mounting
18	532123976	Nut, Hex Large Flange Lock
19	532121248	Bushing, Snap
20	532121250	Spring, Compression
21	532134300	Spacer, Split 28 Id. x .88 Lg.

NOTE: All component dimensions given in U.S. inches
1 inch = 25.4 mm

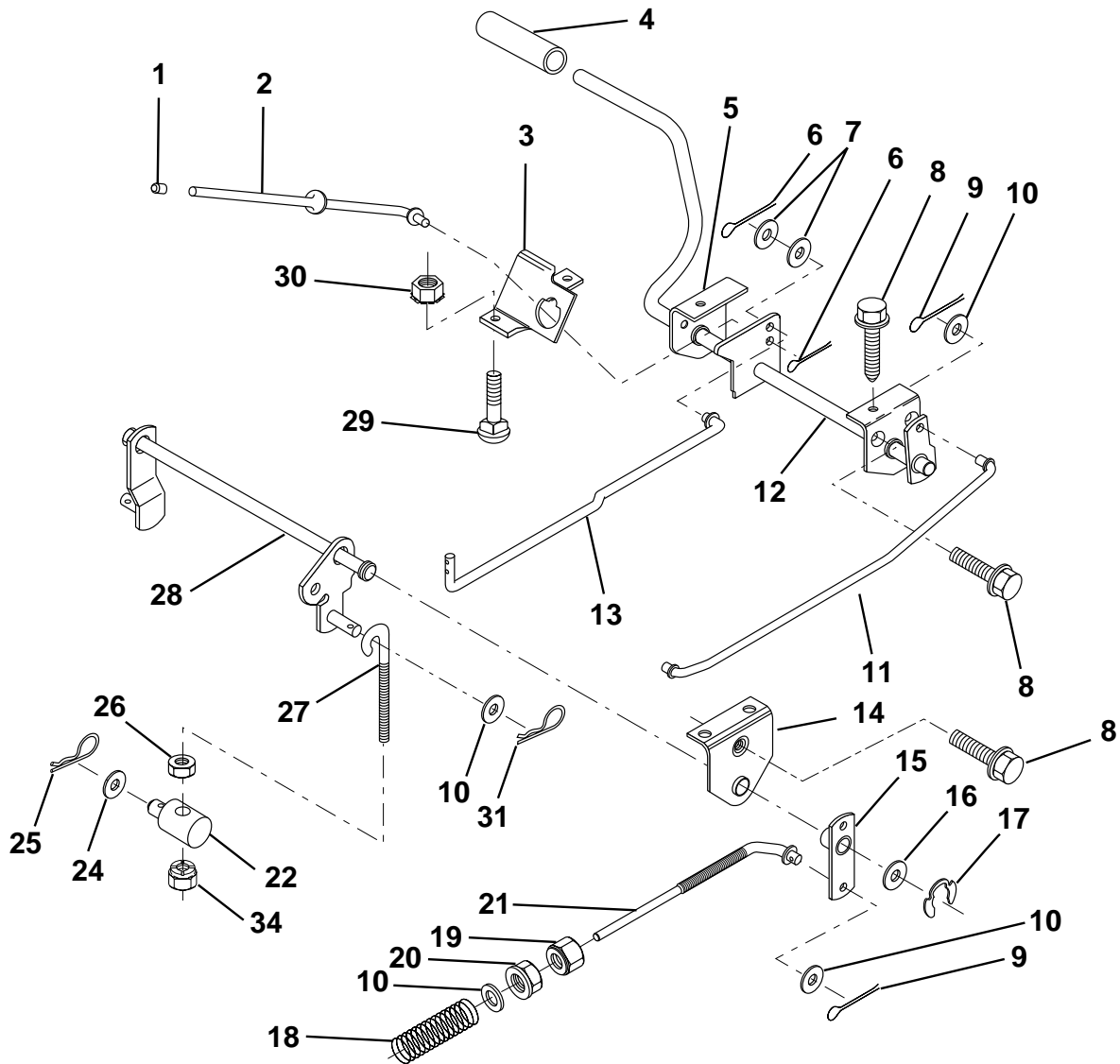
HARDWARE SHOWN LARGER FOR EASIER IDENTIFICATION

For Husqvarna Parts Call 606-678-9623 or 606-561-4983

REPAIR PARTS

TRACTOR - - MODEL NUMBER LR121 (954140001B)

BRAKE / REAR MOWER LIFT ASSEMBLY



KEY NO.	PART NO.	DESCRIPTION	KEY NO.	PART NO.	DESCRIPTION
1	532071673	Cap, Plunger	17	812000034	Ring, Klip
2	532123436	Rod, Parking Brake	18	532151332	Spring, Brake Rod
3	532123437	Bracket, Parking Brake	19	873350600	Nut, Hex, Jam 3/8-16 UNC
4	532008156	Cover, Pedal	20	873800600	Nut, Lock, hex. w/Ins. 3/8-16 INC
5	532122504	Bracket, Clutch/Brake Pedal, L.H.	21	532131460	Rod, Rear Brake
6	876020312	Pin, Cotter 3/32 x 3/4	22	532144585	Trunnion, Lift
7	819131016	Washer 13/32 x 5/8 x 16 Ga.	24	819132012	Washer 13/32 x 1-1/4 x 12 Ga.
8	817490508	Screw, Hex, Thd. Roll. 5/16-18 x 1/2	25	532124961	Spring, Retainer
9	876020412	Pin, Cotter 1/8 x 3/4	26	873930600	Nut, Centerlock 3/8-16 UNC
10	819131316	Washer 13/32 x 13/16 x 16 Ga.	27	532127369	Link, Threaded
11	532123543	Rod, Brake Front	28	532140776	Assembly, Rear Mower Lift
12	532139933	Assembly, Clutch/Brake Pedal	29	872110506	Bolt, Carriage 5/16-18 UNC x 3/4
13	532123394	Rod, Clutch	30	873510500	Nut, Keps 5/16-16 UNC
14	532121978	Bracket, Lift, Shaft	31	532124660	Retainer Spring
15	532133332	Assembly, Brake, Pivot, Arm	34	873680600	Nut, Crownlock 3/8-16 UNC
16	819251816	Washer 25/32 x 1-1/8 x 16 Ga.			

NOTE: All component dimensions given in U.S. inches
1 inch = 25.4 mm

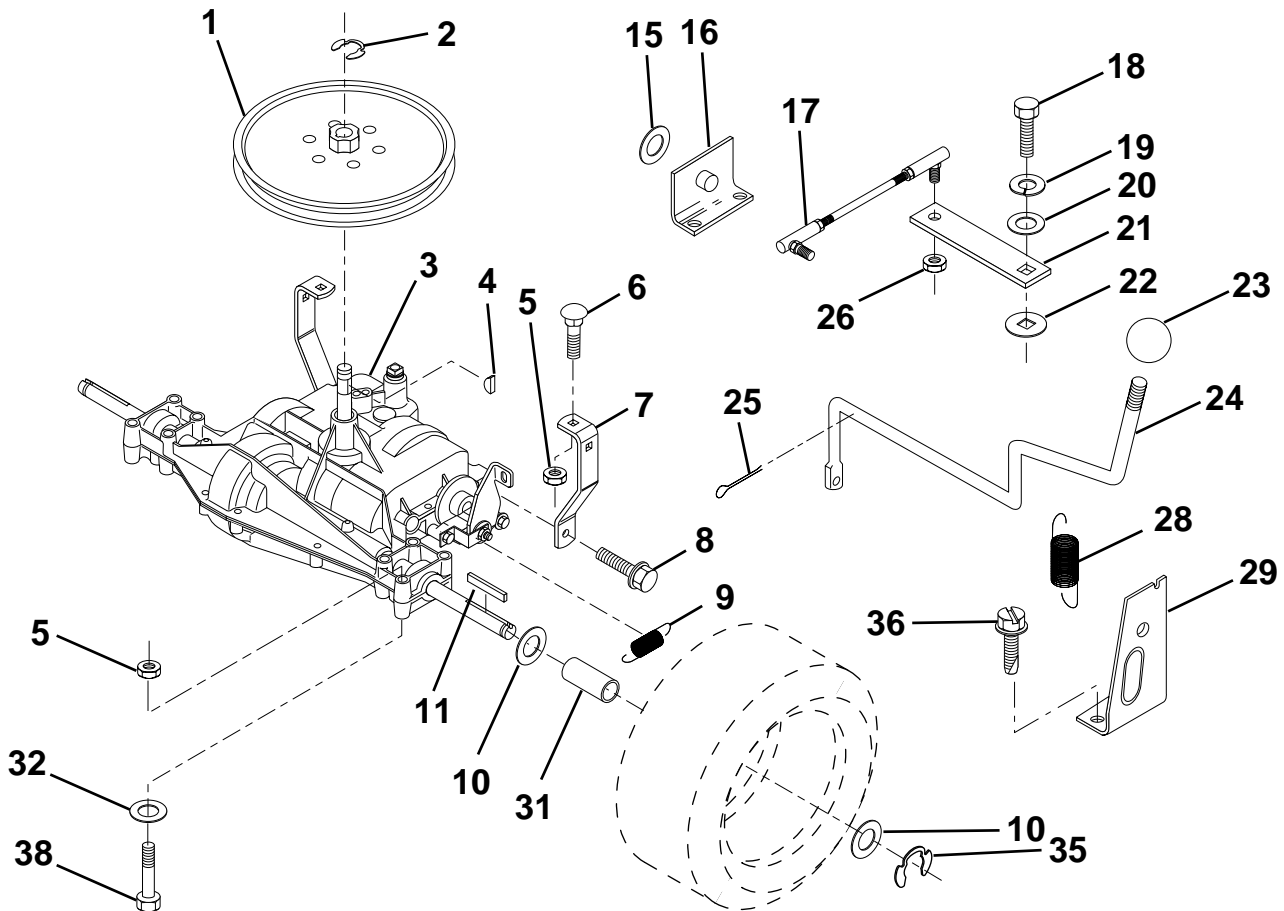
HARDWARE SHOWN LARGER FOR EASIER IDENTIFICATION

For Husqvarna Parts Call 606-678-9623 or 606-561-4983

REPAIR PARTS

TRACTOR - - MODEL NUMBER LR121 (954140001B)

TRANSAXLE



KEY NO.	PART NO.	DESCRIPTION
1	532123385	Pulley
2	812000028	Ring, Retainer
3	-----	Transaxle (See Breakdown),Peerless Model No. 930-008A
4	532125096	Key, Woodruff #9
5	873680500	Nut, Crownlock 5/16-18
6	872140506	Bolt, Carriage 5/16-18 UNC x 3/4
7	532123378	Strap, Torque
8	817490512	Screw 5/16-18 x 3/4
9	532146682	Spring, Brake
10	532121749	Washer 25/32 x 1-1/4 x 16 Ga.
11	532123583	Key, Square
15	819171616	Washer 17/32 x 1 x 16 Ga.
16	532124600	Support Handle Shift LH
17	532126293	Link, Shift
18	874550412	Bolt, Fin Hex 1/4-28 UNF x 3/4 Gr. 8
19	810040400	Washer, Lock 1/4

KEY NO.	PART NO.	DESCRIPTION
20	819091210	Washer 9/32 x 3/4 x 10 Ga.
21	532126292	Arm, Shift
22	532105701	Washer, Shift Plate
23	532106933	Knob, Rd 1/2-13
24	532128215	Rod Shift
25	876020416	Pin, Cotter 1/8 x 1
26	873810500	Locknut 5/16-24 UNF
28	532128085	Extension, Spring
29	532128084	Support Handle Shift RH
31	532137057	Spacer Axle
32	819111116	Washer 11/32 x 11/16 x 16
35	812000001	E-Ring
36	817720408	Screw, Thd Cut 1/4-20 x 1/2
38	874490544	Bolt, Hex Hd 5/16-18 x 2-3/4

NOTE: All component dimensions given in U.S. inches
1 inch = 25.4 mm

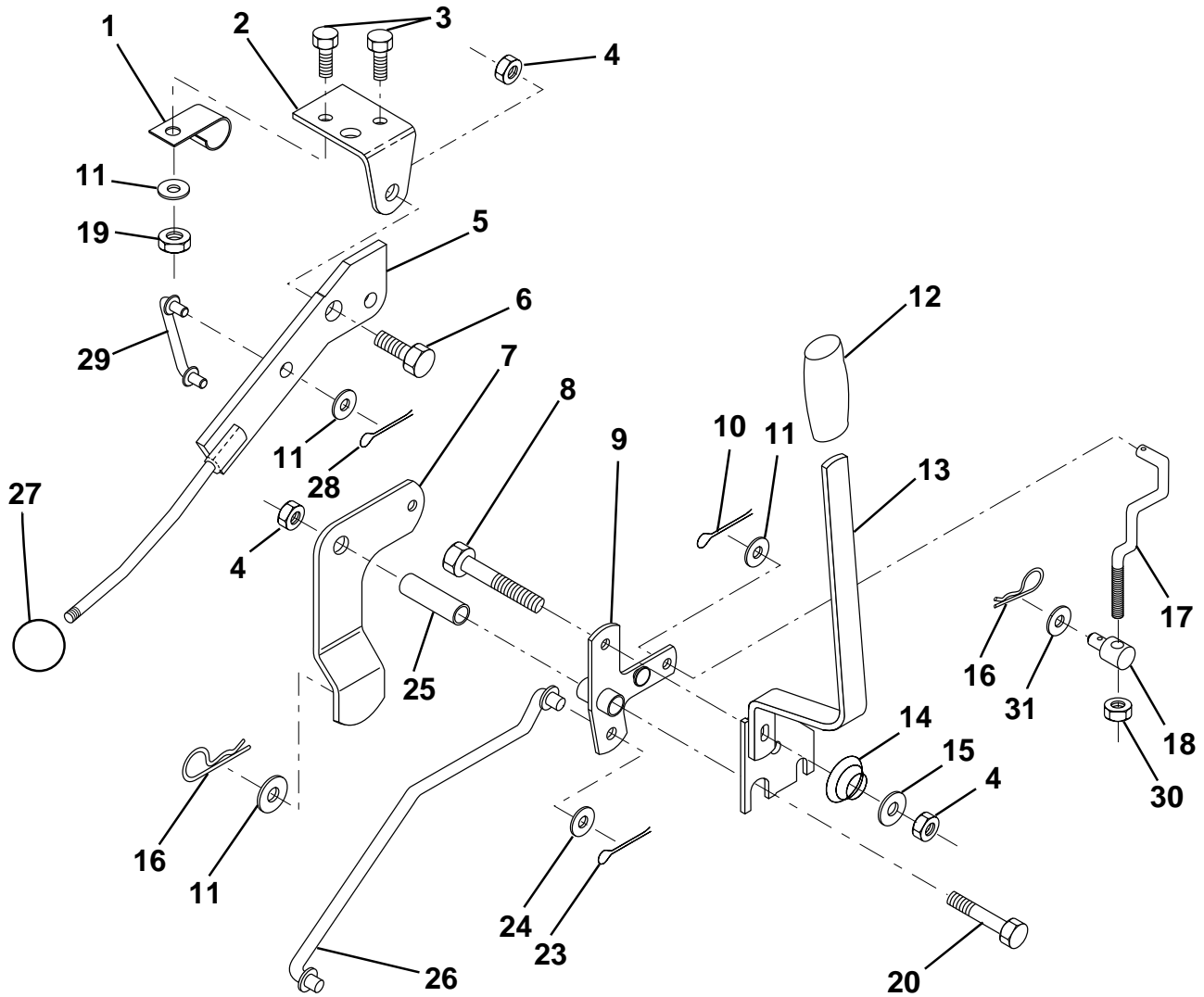
HARDWARE SHOWN LARGER FOR EASIER IDENTIFICATION

For Husqvarna Parts Call 606-678-9623 or 606-561-4983

REPAIR PARTS

TRACTOR - - MODEL NUMBER LR121 (954140001B)

MOWER LIFT LEVER



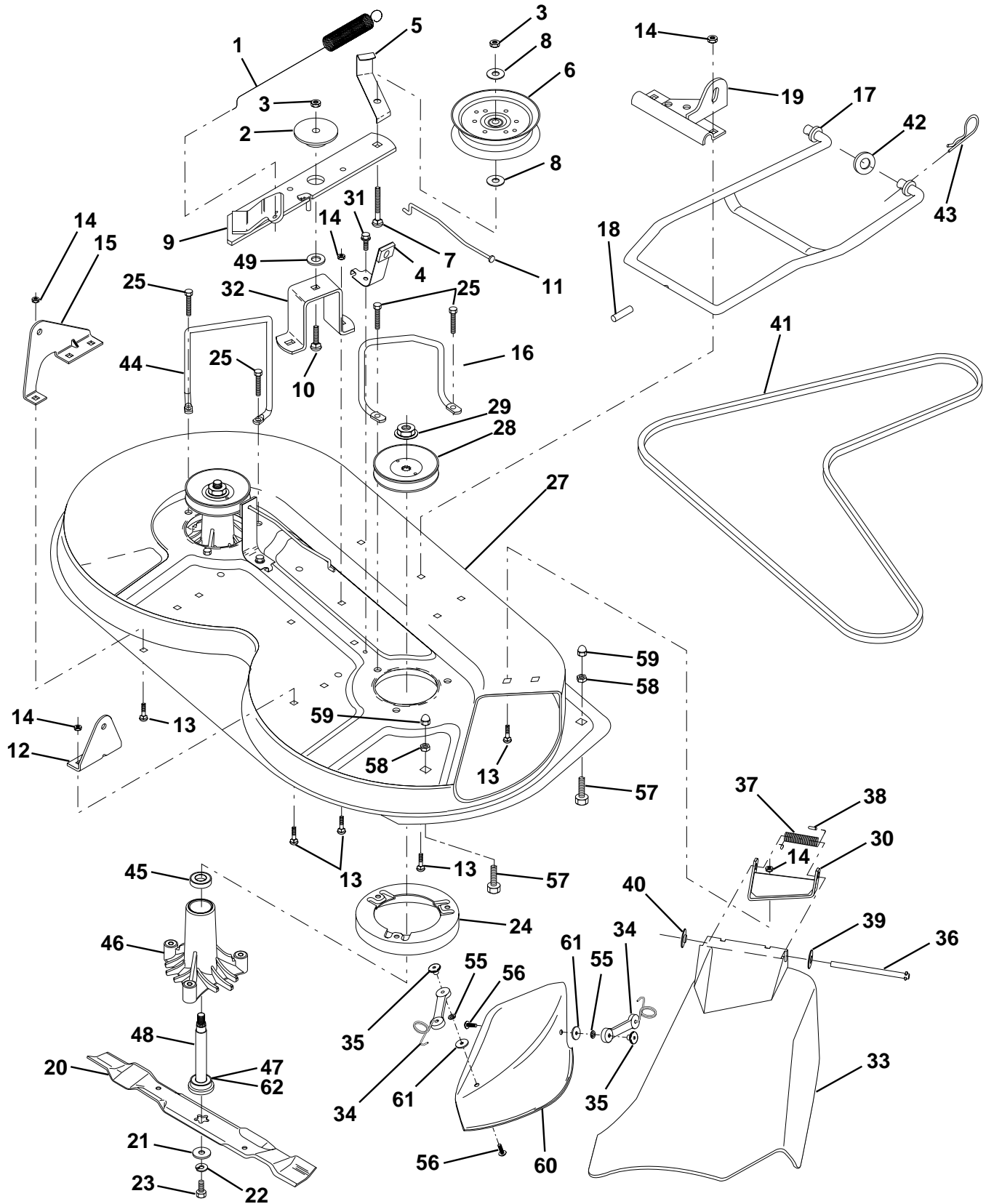
KEY NO.	PART NO.	DESCRIPTION	KEY NO.	PART NO.	DESCRIPTION
1	532126470	Clip, Insulated	16	532124961	Retainer, Spring
2	532122018	Bracket, Mower Clutch	17	532127359	Link, Front Lift
3	871110408	Bolt, Fin. Hex 1/4-20 UNC x 1/2 Gr. 5	18	532142028	Trunnion, Threaded 3/8-16
4	873680600	Nut, Crownlock 3/8-16 UNC	19	873680400	Nut, Crownlock 1/4-20
5	532145187	Assembly, Clutch Lever	20	874760644	Bolt, Fin. Hex 3/8-16 UNC x 2-3/4
6	532106451	Bolt, Shoulder	23	876020416	Pin, Cotter 1/8 x 1
7	532135371	Assembly, Mower Clutch Arm	24	819171612	Washer 17/32 x 1 x 12 Ga.
8	874760636	Bolt, Hex 3/8-16 UNC x 2-1/4	25	532121933	Tube, Spacer
9	532121930	Assembly, Bellcrank Lift	26	532141470	Rod, Mower Lift
10	876020412	Pin, Cotter 1/8 x 3/4	27	532106932	Knob
11	819131316	Washer 13/32 x 13/16 x 16 Ga.	28	876020312	Pin, Cotter 3/32 x 3/4
12	532131861	Grip, Handle	29	532131655	Link, Mower Clutch
13	532139352	Assembly, Lift Handle	30	873350600	Nut Hex Jam 3/8-16 x 1.30
14	532123496	Spring, Compression	31	819132012	Washer 13/32 x 1-1/4 x 12 Ga.
15	819131212	Washer 13/32 x 3/4 x 12 Ga.			

NOTE: All component dimensions given in U.S. inches
1 inch = 25.4 mm

HARDWARE SHOWN LARGER FOR EASIER IDENTIFICATION

TRACTOR - - MODEL NUMBER LR121 (954140001B)

MOWER DECK



For Husqvarna Parts Call 606-678-9623 or 606-561-4983

REPAIR PARTS

TRACTOR - - MODEL NUMBER LR121 (954140001B)

MOWER DECK

KEY NO.	PART NO.	DESCRIPTION	KEY NO.	PART NO.	DESCRIPTION
1	532140064	Spring, Mower Clutch	33	532131560	Deflector
2	532122052	Spacer, Retainer	34	532160793	Latch Asm, Bagger/Mulch
3	873680600	Nut, Crownlock 3/8-16	35	532125004	Nut, Weld
4	532130840	Brake Asm.	36	532121980	Rod, Hinge
5	532131251	Guide, Belt Idler	37	532123713	Spring, Torsion Deflector
6	532121316	Pulley, Flat Idler	38	532105304	Cap, Sleeve
7	872110616	Bolt, Carr. 3/8-16 x 1-3/4 Gr. 5	39	819111016	Washer 11/32 x 5/8 x 16 Ga.
8	819131410	Washer 13/21 x 7/8 x 10 Ga.	40	532110452	Pushnut
9	532127744	Arm Asm., Idler Mower	41	532131264	V-Belt
10	872140610	Bolt, Carriage 3/8-16 x 1-1/4	42	819171616	Washer 11/32 x 5/8 16 Ga.
11	532130841	Rod, Brake	43	532124660	Retainer, Spring
12	532127356	Bracket, Lift R. H. Rear	44	532140608	Keeper, L. H.
13	872140506	Bolt, Carriage 5/16-18 x 3/4	45	532110485	Bearing
14	873680500	Nut, Crownlock 5/16-18	46	532128774	Housing Mandrel Vented
15	532127357	Bracket, Lift L. H. Rear	47	532129895	Bearing
16	532153298	Keeper, R. H.	48	532137645	Shaft, Mandrel (Includes Key # 47)
17	532128508	Link, Asm. Mower Stabilizer	49	532133943	Washer, Hardened
18	532128511	Pin, Drive	55	810071000	Washer, Lock
19	532127380	Bracket, Asm. Front	56	871161010	Screw
20	532140101	Blade Mulching	57	874930516	Bolt, Fin Hex 5/16-18 x 1
21	532140296	Washer, Hard	58	532063124	Nut, Nylon Insert
22	810030600	Washer, Lock 3/8	59	532133841	Nut, Acorn Hex 5/16 x 18
23	532850857	Bolt 3/8-24 x 1-1/4 Gr. 8	60	532140102	Cover, Mulching
24	532140329	Stripper	61	819061216	Washer
25	532157722	Screw Thdrol Wsh Hd	62	532153390	Washer Felt
27	532156600	Deck Assembly	--	532130794	Mandrel Asm. (Includes Key No.'s 22-23, 26, 29 and 45-48)
28	532153531	Pulley, Mandrel	--	532156866	Deck, Mower Complete (Std. Deck - Order separately mulcher plate components key nos. 50-58)
29	532137266	Nut, Flangelock 9/16			
30	532136631	Bracket, Asm. Deflector			
31	817490508	Screw, Hex Wsh. Thdrol. 5/16-18 x 1/2			
32	532122051	Arm, Support Idler Mower			

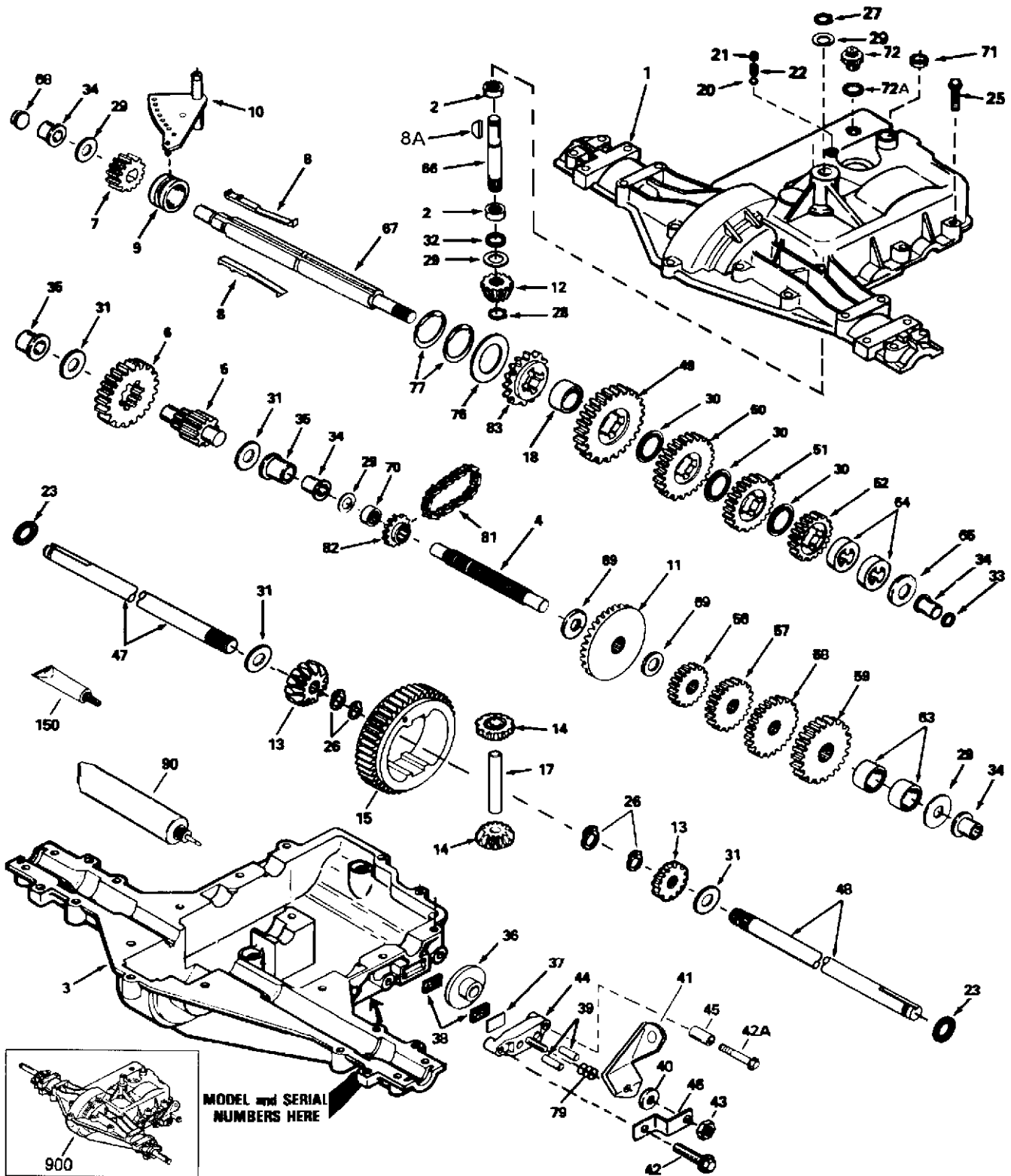
NOTE: All component dimensions given in U.S. inches
1 inch = 25.4 mm

HARDWARE SHOWN LARGER FOR EASIER IDENTIFICATION

For Husqvarna Parts Call 606-678-9623 or 606-561-4983 REPAIR PARTS

TRACTOR -- MODEL NUMBER LR121 (954140001B)

PEERLESS TRANSAXLE MODEL NUMBER P930-008A



For Husqvarna Parts Call 606-678-9623 or 606-561-4983

REPAIR PARTS

TRACTOR - - MODEL NUMBER LR121 (954140001B)

PEERLESS TRANSAXLE MODEL NUMBER P930-008A

REF PART NO. NO.	DESCRIPTION	REF PART NO. NO.	DESCRIPTION
1	772108A	42	792073
2	780086		Screw, Flanged Hex Head, Thread Forming 1/4-20 x 1-1/4
3	770102A	42A	792085A
4	776260	43	792075
5	776219B	44	790025
6	778139	45	786067
7	778136	46	786086
8	792136A	47	774690
8A	792047	48	774691
9	784352	49	778191
10	784355	50	778124A
11	778229	51	778123A
12	778113A	52	778273
13	778221	56	778230
14	778068	57	778126A
15	778260	58	778127A
17	786139	59	778129A
18	786102	63	786071
20	792077	64	786072
21	792078	65	780109
22	792079	66	776135
23	788061	67	776315A
25	792073	68	786116A
		69	780051
26	792125	70	786118
		71	788069
27	792035	72	792165
28	788040	72A	788091
29	780072	76	780090
30	780108	77	788078A
31	780001		
32	792001	79	792144
33	788095	81	786081
34	780105A		
35	780118A	82	786082
36	790003	83	786123
37	790007	90	788067B
38	799021	150	510334
39	786026	900	794534A
40	792076A		
41	790079		

NOTE: All component dimensions given in U.S. inches
1 inch = 25.4 mm

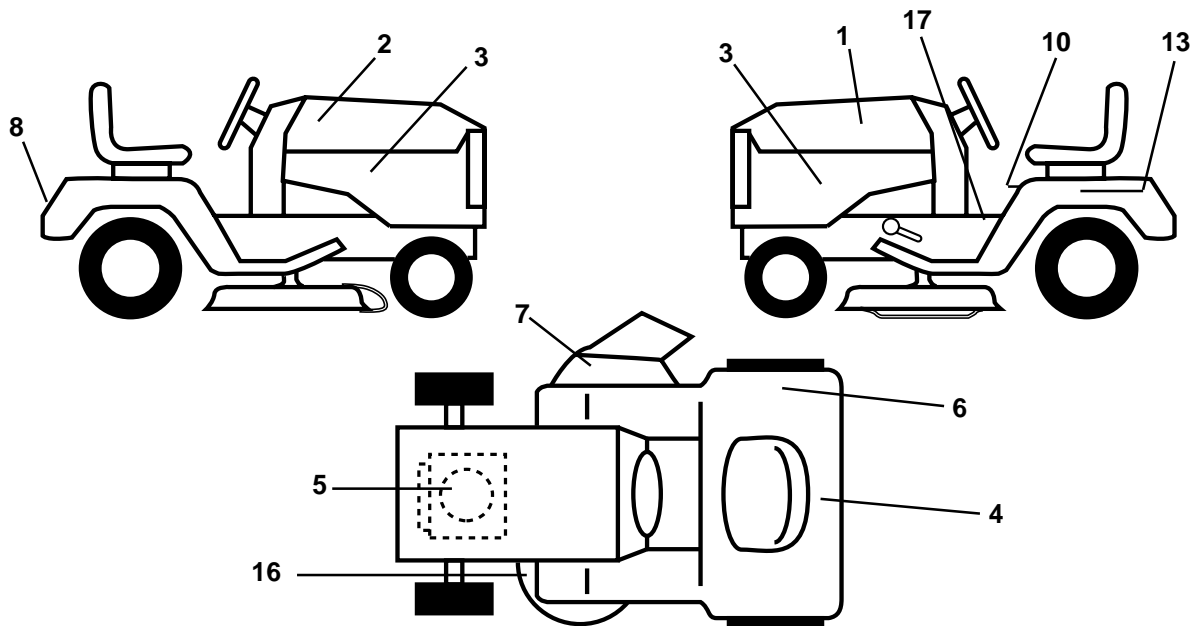
Parts must be ordered from Tecumseh Products Co.

For Husqvarna Parts Call 606-678-9623 or 606-561-4983

REPAIR PARTS

TRACTOR - - MODEL NUMBER LR121 (954140001B)

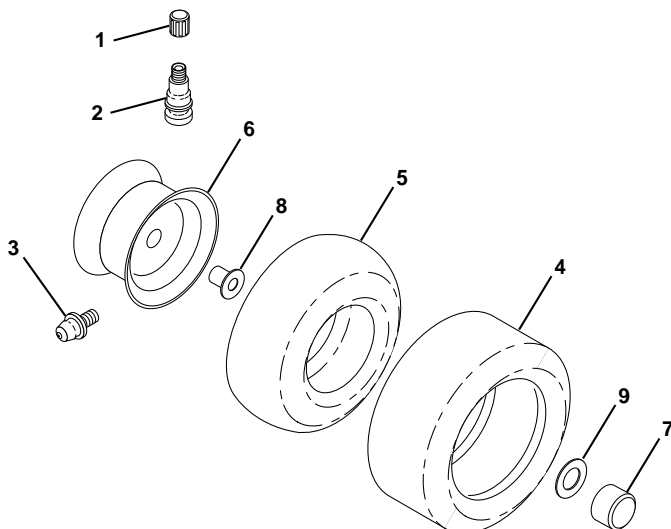
DECALS



KEY NO.	PART NO.	DESCRIPTION
1	532157001	Decal, Hood, L. H.
2	532157000	Decal, Hood, R. H.
3	532159713	Decal, Pnl Side
4	532160850	Decal, Tick Mark Australia
5	532272440	Decal, Engine
6	532124433	Decal, DBA
7	532137259	Decal, Warning Multi/Lang

KEY NO.	PART NO.	DESCRIPTION
8	532150617	Decal, Logo, Fender
10	532157198	Decal Caution Fender
13	532145005	Decal, Caution, Battery
16	532136830	Decal, V-Belt Sch.
17	532157110	Decal, Inst. Oper.
--	532138311	Decal, Handle Lift
--	532160738	Manual, Owner's (English)
--	532160739	Manual, Owner's (French)

WHEELS & TIRES



KEY NO.	PART NO.	DESCRIPTION
1	532059192	Cap, Valve
2	532065139	Stem, Valve
3	532124957	Fitting, Grease (Front Wheels Only)
4	532123410	Tire, Front
4	532106230	Tire, Rear
5	532059904	Tube, Front (Optional Service Items Only)
5	532008134	Tube, Rear (Optional Service Items Only)
6	532142039	Rim, Front
6	532141652	Rim, Rear
7	532104757	Cap Axle
8	532124959	Bearing Flange
9	532121748	Washer 25/32 x 1-5/8 x 16 Ga.
--	532144334	Sealant, Tire (10 oz. Tube)

NOTE: All component dimensions given in U.S. inches
1 inch = 25.4 mm