

For Husqvarna Parts Call 606-678-9623 or 606-561-4983



Illustrated Parts List	1996-01
	19602007

LR 12

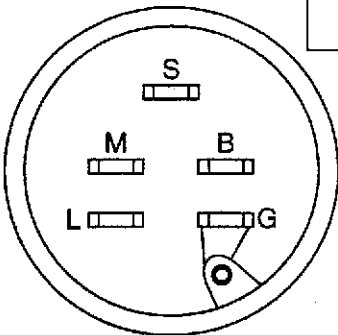
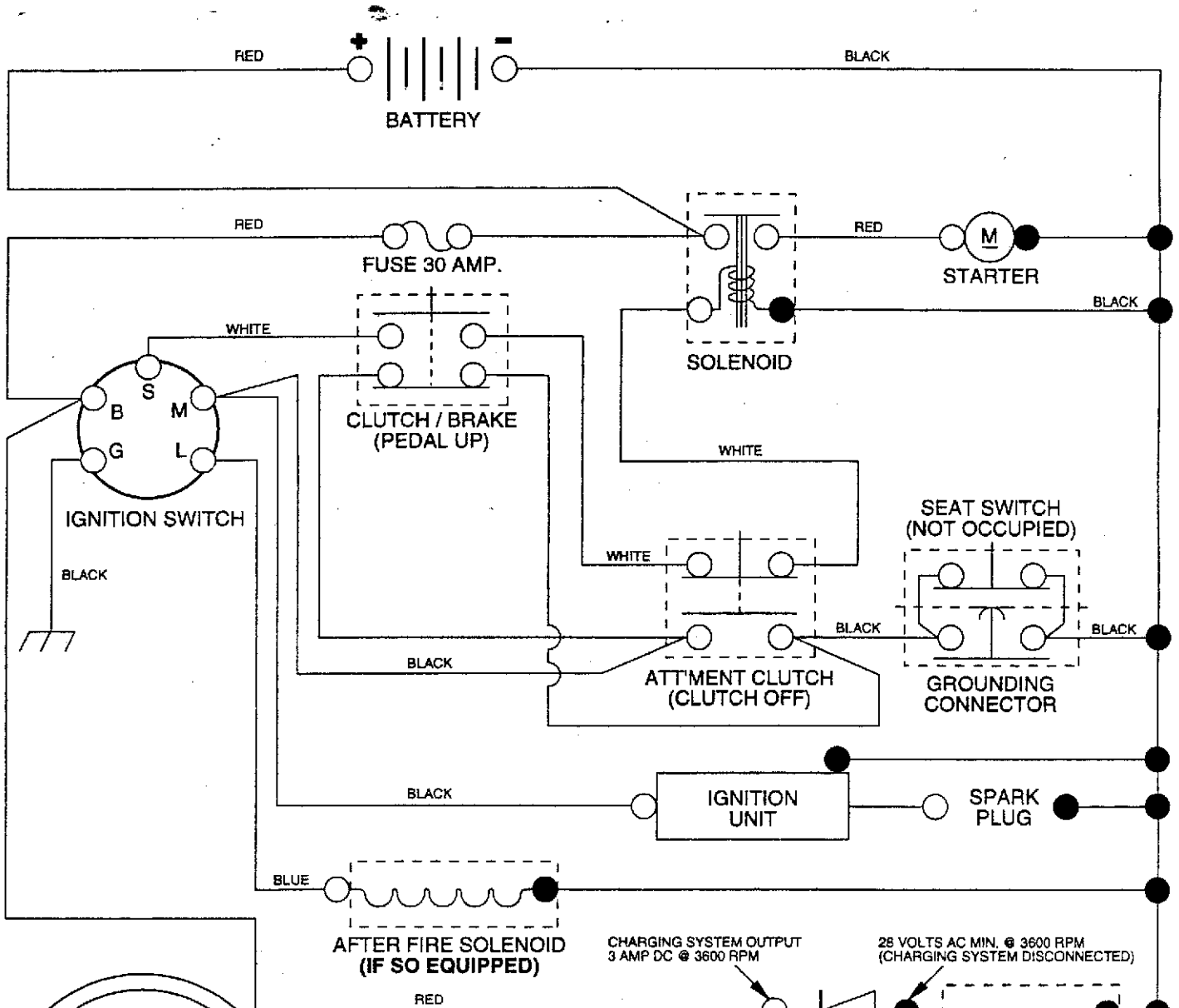
(HC12R38D) 954002701



Repair Parts Manual

Ride Mower

SCHEMATIC



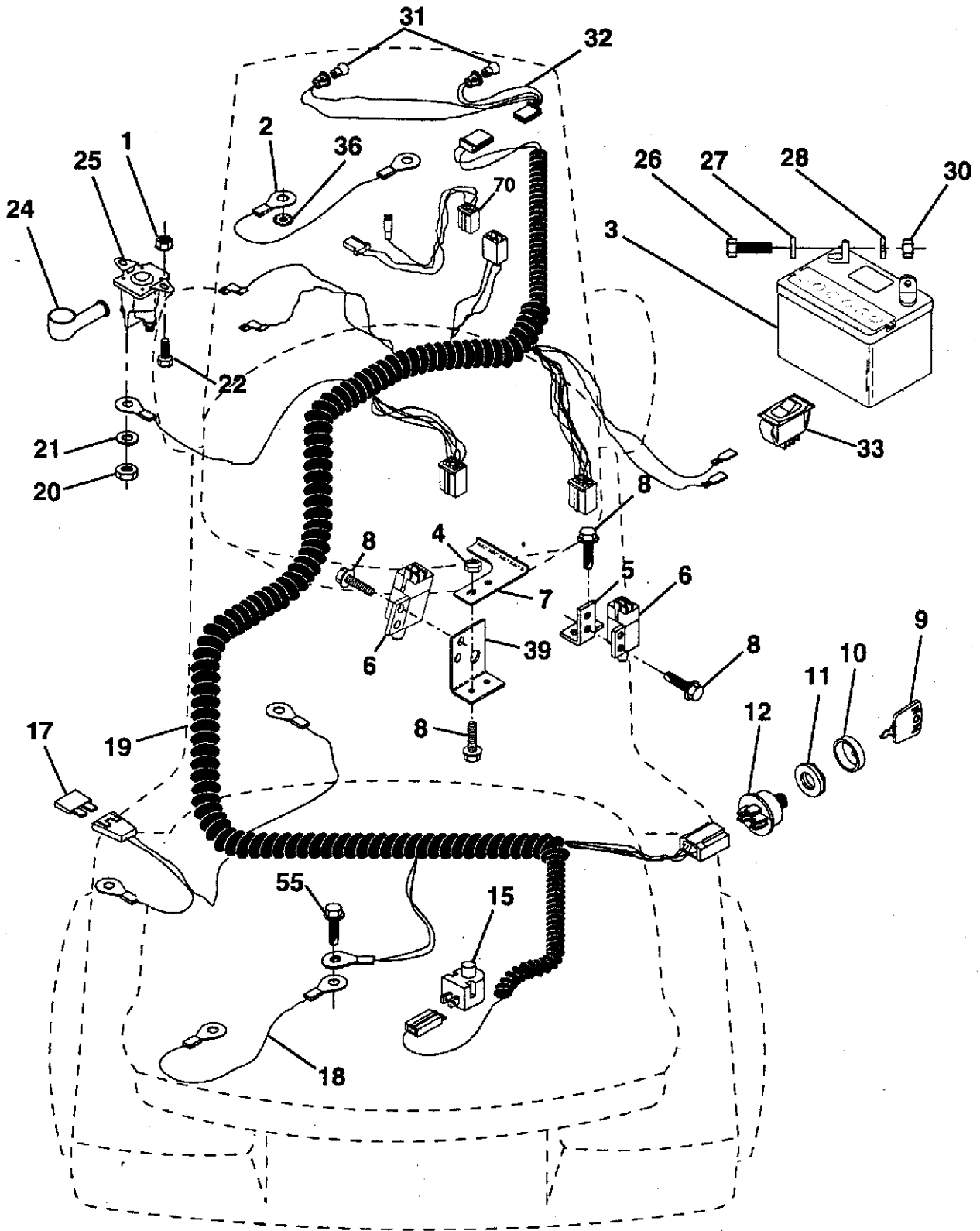
IGNITION SWITCH

POSITION	CIRCUIT
OFF	M + G
ON	B + L
START	B + S + L

NOTE
 YOUR TRACTOR IS EQUIPPED WITH A SPECIAL ALTERNATOR SYSTEM. THE LIGHTS ARE NOT CONNECTED TO THE BATTERY, BUT HAVE THEIR OWN ELECTRICAL SOURCE. BECAUSE OF THIS, THE BRIGHTNESS OF THE LIGHTS WILL CHANGE WITH ENGINE SPEED. AT IDLE THE LIGHTS WILL DIM. AS THE ENGINE IS SPEEDED UP, THE LIGHTS WILL BECOME THEIR BRIGHTEST.

● NON-REMOVABLE CONNECTIONS ○ REMOVABLE CONNECTIONS

WIRING INSULATED CLIPS
NOTE: IF WIRING INSULATED CLIPS WERE REMOVED FOR SERVICING OF UNIT, THEY SHOULD BE REPLACED TO PROPERLY SECURE YOUR WIRING.



REPAIR PARTS

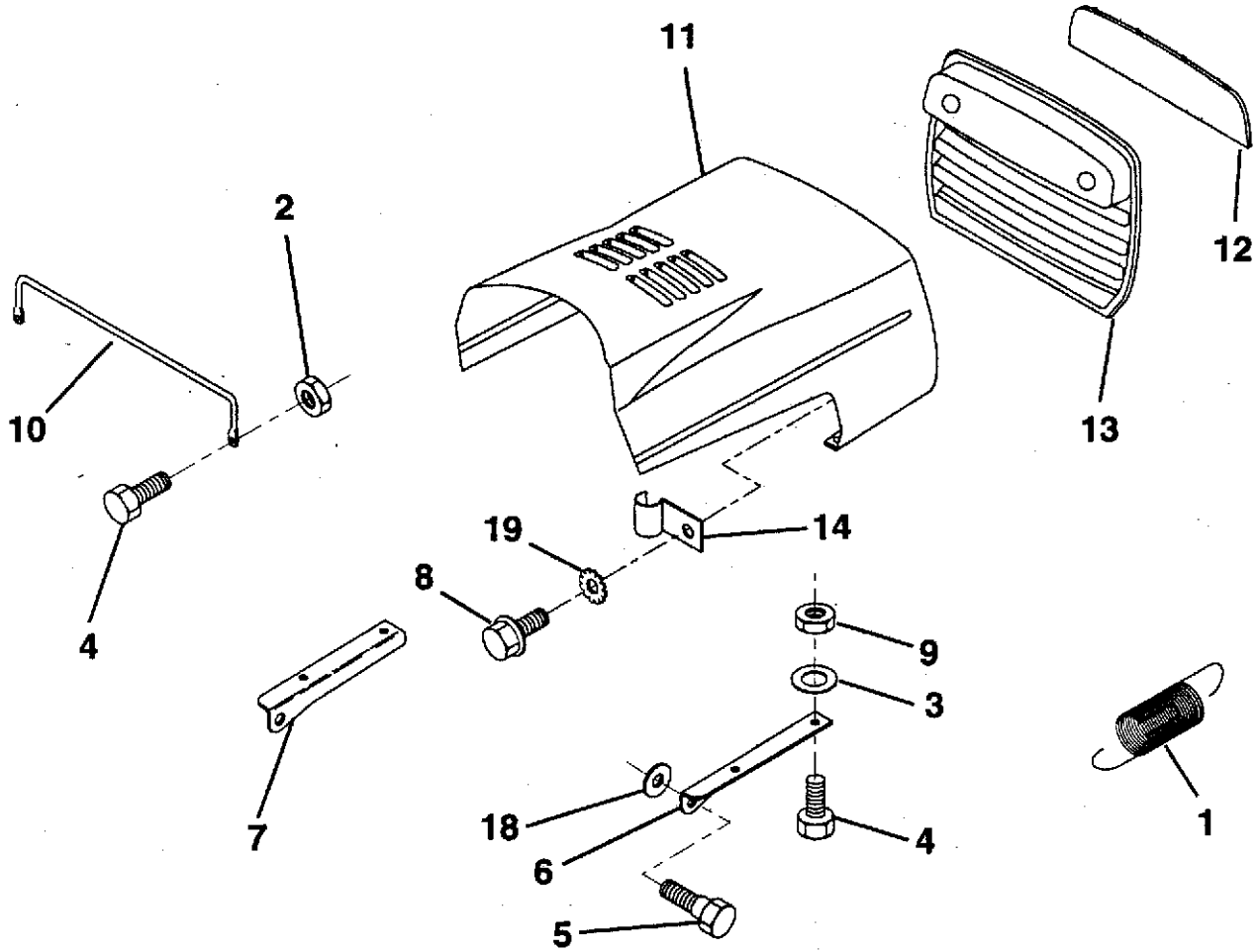
TRACTOR-MODEL NO. LR12 (HC12R38D), PRODUCT NO. 954 00 27-01

ELECTRICAL

KEY NO.	PART NO.	DESCRIPTION
1	873640400	Nut, Hex, Keps 1/4-20
2	532108423	Assembly, Cable
3	532144924	Battery
4	532069180	Nut, Lock #10-24 Unc
5	532108236	Bracket, Switch
6	532109553	Switch, Interlock, 4 Terminal
7	532146374	Keeper, Actuator
8	817021008	Screw, Hex Head, Self-Tapping #10-24 x 1/2
9	532140401	Key, Molded
10	532141226	Cover, Ignition Key
11	532140400	Nut, Ignition
12	532144921	Switch, Ignition
15	532121305	Switch, Plunger
17	532108824	Fuse
18	532128353	Assembly, Cable
19	532146064	Harness, Ignition
20	873350400	Nut, Hex, Jam 1/4-20
21	810090400	Washer, Lock 1/4
22	871110408	Bolt, Hex, Fin. 1/4-20 UNC x 1/2 Grade 5
24	532131563	Cover, Terminal
25	532145673	Solenoid
26	874760412	Bolt, Hex Head 1/4-20 UNC x 3/4
27	819091016	Washer 9/32 x 5/8 x 16 Gauge
28	810040400	Washer, Lock 1/4
30	873220400	Nut, Hex, Fin. 1/4-20 UNC
31	532004152	Bulb, Light
32	532136850	Harness, Headlight
33	532110712	Switch, Light
36	811150400	Washer, Lock, Internal Tooth 1/4
39	532141735	Bracket, Switch Clutch
55	817490508	Screw, Thdrol 5/16-28 x 1/2
70	532140413	Harness Engine

NOTE: All component dimensions given in U.S. inches
1 inch = 25.4 mm

HOOD



KEY NO.	PART NO.	DESCRIPTION
1	532124657	Spring, Ext
2	873680400	Nut, Keps
3	819091416	Washer 9/32 x 7/8 x 16 Ga
4	874780412	Bolt, Fin Hex 1/4-20 x .75
5	532139888	Bolt, Shoulder 5/16-18
6	532122549	Bracket Hood RH
7	532122548	Bracket Hood LH
8	817521312	Screw, Sltd Hex Hd w/PI Washer
9	873800400	Nut, Lock w/Insert 1/4-20

KEY NO.	PART NO.	DESCRIPTION
10	532123693	Brace, Hood
11	532140463	Hood
12	532122035	Lens, Headlight Bar
13	532127029	Grille
14	532124996	Clip, Line Fuel
18	819111116	Washer 11/32 x 11/16 x 16 Ga
19	811030400	Washer Lock 1/4 Ext/Int Tooth

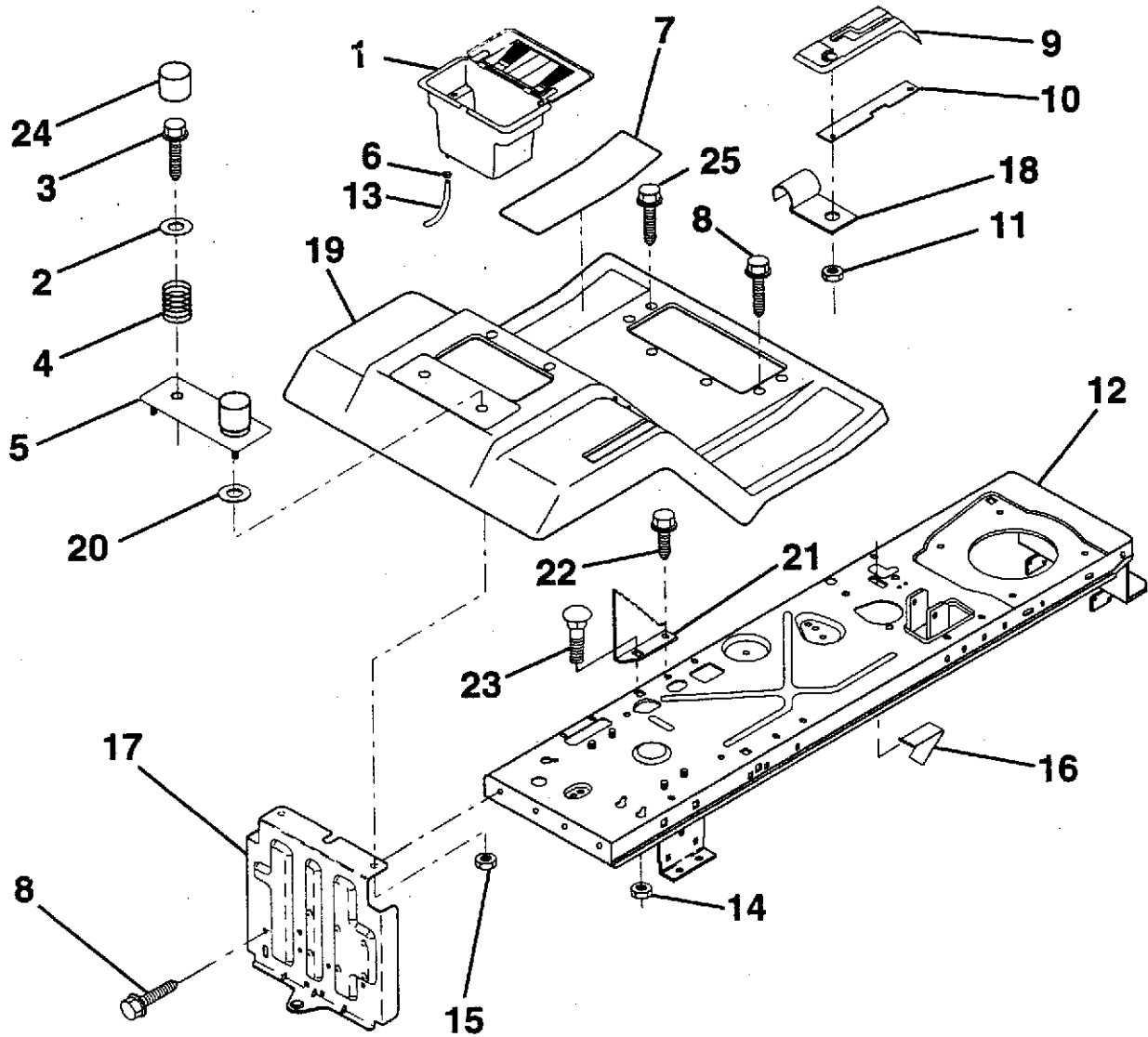
NOTE: All component dimensions given in U.S. inches
1 inch = 25.4 mm

HARDWARE SHOWN LARGER FOR EASIER IDENTIFICATION

REPAIR PARTS

TRACTOR-MODEL NO. LR12 (HC12R38D), PRODUCT NO. 954 00 27-01

FENDER/CHASSIS

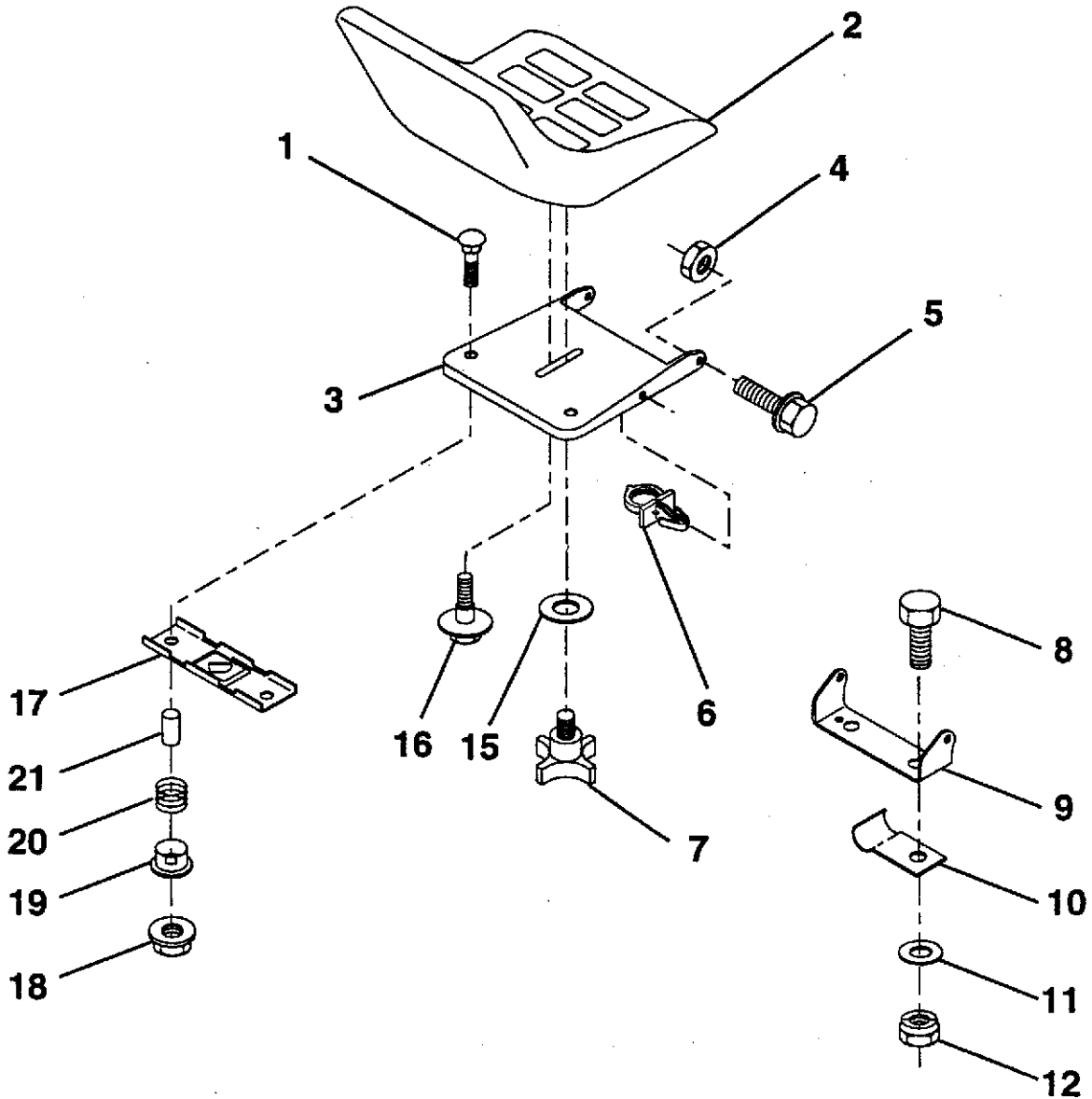


KEY NO.	PART NO.	DESCRIPTION	KEY NO.	PART NO.	DESCRIPTION
1	532144940	Case Asm. Battery	15	873640400	Nut Keps Blk Hex 1/4-20
2	819132012	Washer 13/32 x 1-1/4 x 12 Ga.	16	532141736	Switch Actuator
3	817490612	Screw Thdrol. 3/8-16 x 3/4	17	532140782	Drawbar Asm.
4	532124181	Spring seat	18	532126470	Clip Insulated
5	532125142	Plate Asm. Pnt Battery Fender	19	532141366	Fend/Foot Asm. Pnt Shf. Fnd.
6	532109596	Clamp Hose Olive	20	819091413	Washer 9/32 x 7/8 x 13 Ga.
7	532126700	Pad Footrest Rubber Deluxe	21	532140297	Bracket Stop Depth
8	817490512	Screw Thdrol. 5/16-18 x 3/4	22	817490508	Screw Thdrol 5/16-18 x 1/2
9	532126995	Console Shf. 6sp W/lgn.	23	872110506	Bolt Rd hd sqnk. 5/16-18 x 3/4
10	532139783	Plate Lock Shift	24	532124238	Cap Spring Seat
11	532124346	Nut Self Thd. Wsh-Hd 1/4	25	817190516	Scr-Hex S.T. 5/16-18 x 1
12	532145190	Chassis Asm. Weldment			
13	532109238	Tube Plastic			
14	873680500	Nut Crownlock 5/16-18			

NOTE: All component dimensions given in U.S. inches
1 inch = 25.4 mm

HARDWARE SHOWN LARGER FOR EASIER IDENTIFICATION

SEAT



KEY NO.	PART NO.	DESCRIPTION
1	872050411	Bolt, Carriage 1/4-20 x 1-3/8
2	532134647	Seat
3	532140552	Pan, Seat
4	873800500	Nut, Hex, Crownlock 5/16-18
5	532139888	Bolt, Shoulder 5/16-18 UNC
6	532145006	Clip, Insulated
7	532120068	Knob, Seat
8	874760616	Bolt, Hex, Fin. 3/8-16
9	532140551	Bracket, Pivot, Seat
11	819133210	Washer 12/32 x 2 x 10 Gauge

KEY NO.	PART NO.	DESCRIPTION
12	873800600	Nut, Hex, Crownlock 3/8-16 UNC
15	819171912	Washer 17/32 x 1-3/16 x 12 Gauge
16	532127018	Bolt, Shoulder
17	532121246	Bracket, Switch Mounting
18	532123976	Nut, Hex, Large, Flange Lock
19	532121248	Bushing, Snap
20	532121250	Spring, Compression
21	532134300	Spacer, Split, Large .28 Id. x .96

NOTE: All component dimensions given in U.S. inches
 1 inch = 25.4 mm

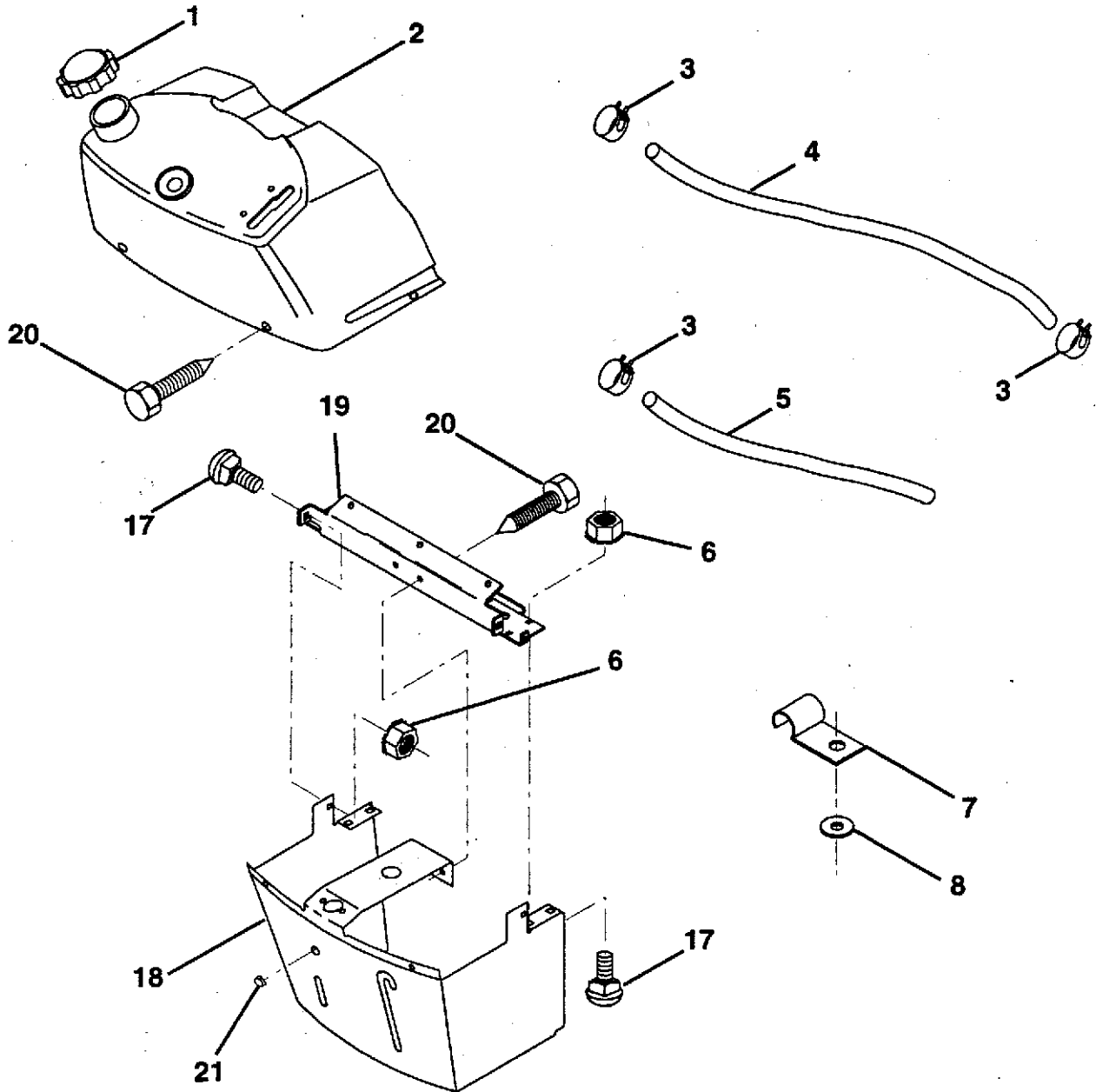
HARDWARE SHOWN LARGER FOR EASIER IDENTIFICATION

For Husqvarna Parts Call 606-678-9623 or 606-561-4983

REPAIR PARTS

TRACTOR-MODEL NO. LR12 (HC12R38D), PRODUCT NO. 954 00 27-01

DASH

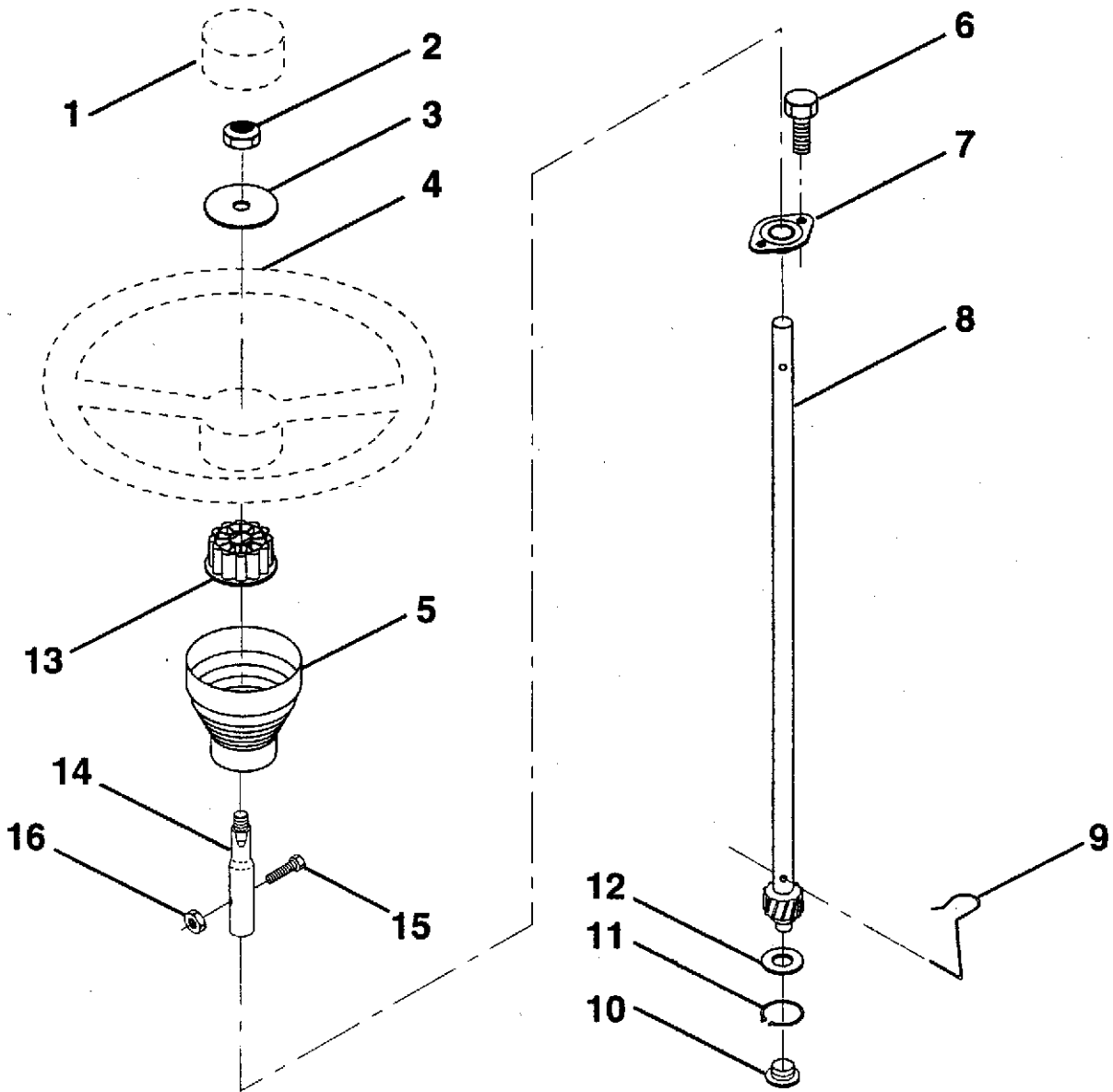


KEY NO.	PART NO.	DESCRIPTION	KEY NO.	PART NO.	DESCRIPTION
1	532141523	Cap, Fuel Tank	17	872110404	Bolt, Carriage 1/4-20 x 1/2 Grade 5
2	532138392	Assembly, Dash & Fuel Tank	18	532131886	Support Assembly, Dash
3	532123487	Clamp, Hose	19	532134744	Brace, Cross
4	532008544	Line, Fuel	20	817060408	Screw, Self-Tapping 1/4-20 x 1/2
5	532008548	Line, Fuel	21	532134014	Plug, Dome, Black
6	873640400	Nut, Hex, Keps 1/4-20			
7	532124996	Clip, Fuel Line			
8	819091216	Washer, 9/32 x 3/4 x 16 Gauge			

NOTE: All component dimensions given in U.S. inches
1 inch = 25.4 mm

HARDWARE SHOWN LARGER FOR EASIER IDENTIFICATION

STEERING WHEEL



KEY NO.	PART NO.	DESCRIPTION
1	532126805	Insert, Steering Wheel
2	532124701	Locknut 3/8-24 UNF
3	819133808	Washer 12/32 x 2-3/8 x 8 Gauge
4	532121472	Steering Wheel
5	532121897	Sleeve, Steering
6	817431008	Screw, Hex Head #10-16 x 1/2
7	532102803	Bushing, Steering
8	532147391	Shaft, Steering
9	532124210	Clip, Steering

KEY NO.	PART NO.	DESCRIPTION
10	532123438	Bushing, Lower, Steering
11	812000045	Ring, Retaining
12	819211616	Washer 21/32 x 1 x 16 Gauge
13	532104820	Adaptor, Steering Wheel
14	532147392	Extension Shaft Steering
15	874780520	Bolt Fin Hex 5/16-18 Unc x 1-1/4
16	873800500	Nut, Lock Hex w/Ins 5/16-18 Unc

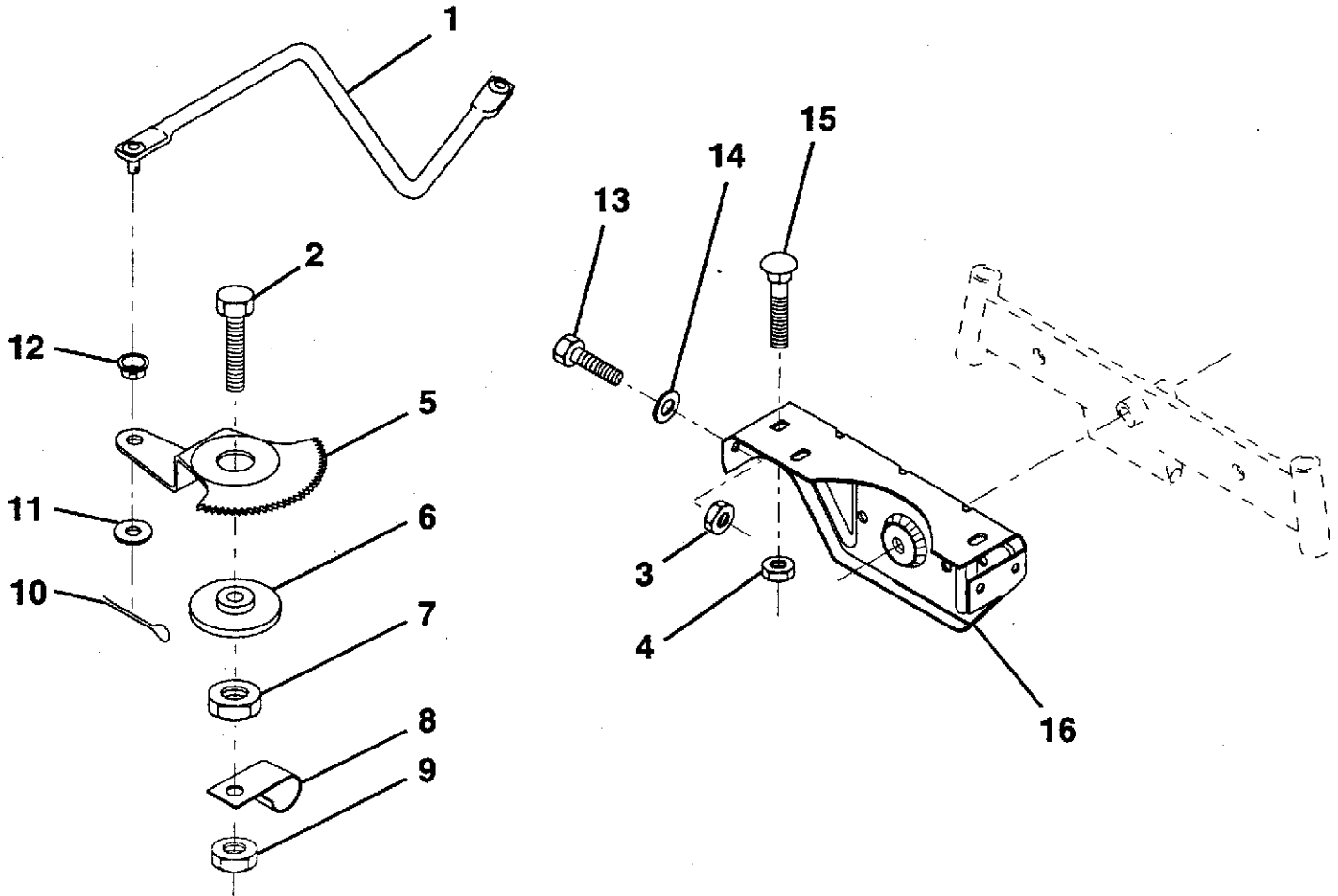
NOTE: All component dimensions given in U.S. inches
1 inch = 25.4 mm

HARDWARE SHOWN LARGER FOR EASIER IDENTIFICATION

REPAIR PARTS

TRACTOR-MODEL NO. LR12 (HC12R38D), PRODUCT NO. 954 00 27-01

SECTOR GEAR / AXLE SUPPORT



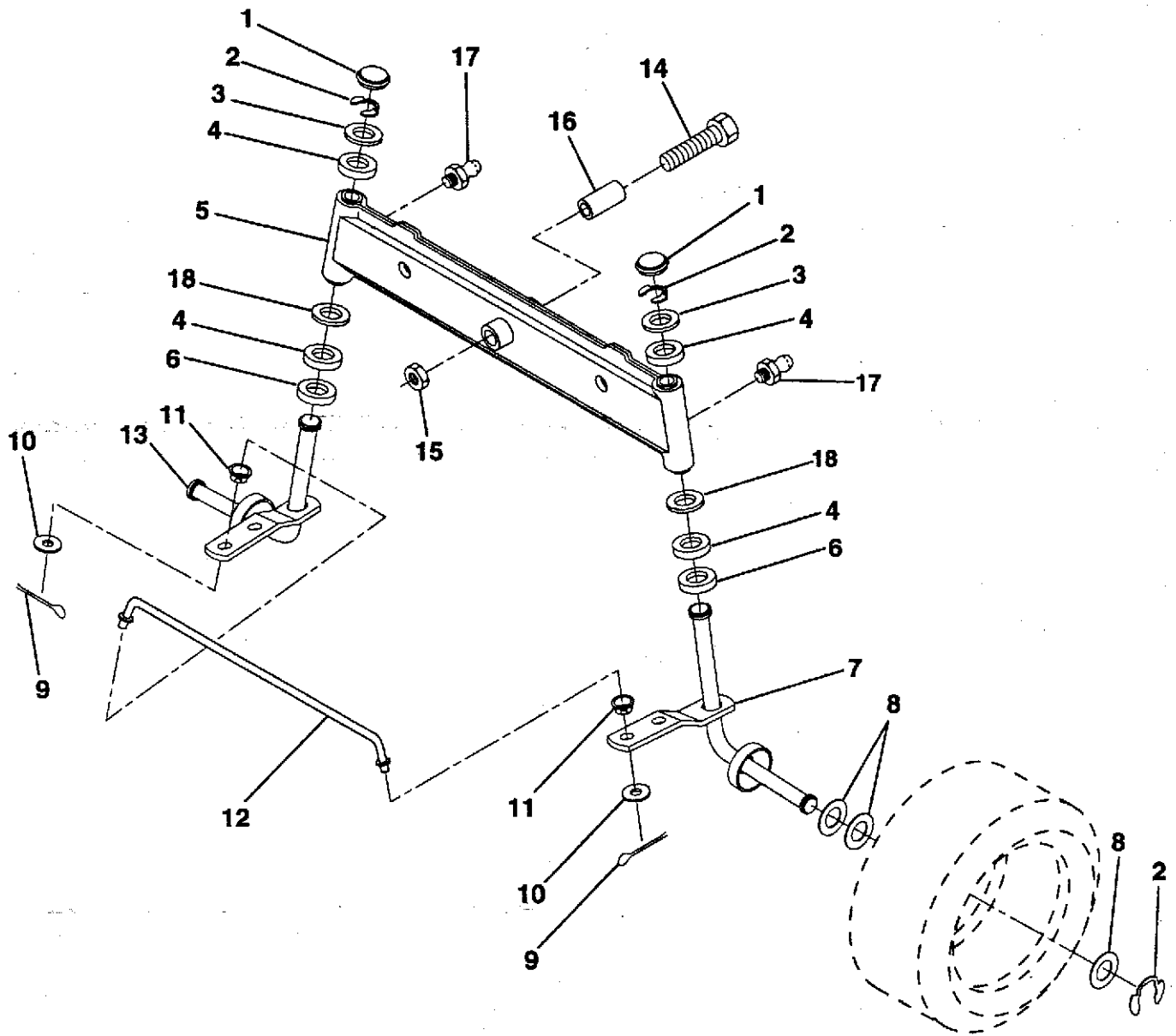
KEY NO.	PART NO.	DESCRIPTION
1	532132566	Link, Drag
2	874780828	Bolt, Hex, Fin. 1/2-13 x 1-3/4
3	873680500	Nut, Hex, Crownlock 5/16-18
4	873680600	Nut, Crownlock 3/8-16
5	532121926	Gear, Sector
6	532121927	Bushing
7	873030800	Nut, Hvy Hex, Top Lock 1/2-13 UNC
8	532126472	Clip, Insulated
9	873680800	Nut, Crownlock 3/8-16

KEY NO.	PART NO.	DESCRIPTION
10	876020412	Pin, Cotter 1/8 x 3/4
11	819131316	Washer 13/32 x 13/16 x 16 Gauge
12	532126847	Bushing
13	874760512	Bolt, Hex Head 5/16-18 UNC x 1
14	819111416	Washer 11/32 x 7/8 x 16 Gauge
15	872110606	Bolt, Carriage 3/8-16 UNC x 3/4
16	532137096	Support, Front Axle

NOTE: All component dimensions given in U.S. inches
1 inch = 25.4 mm

HARDWARE SHOWN LARGER FOR EASIER IDENTIFICATION

FRONT AXLE



KEY NO.	PART NO.	DESCRIPTION
1	532121232	Cap, Spindle
2	812000029	Ring, Clip
3	532121748	Washer 25/32 x 1-5/8 x 16 Gauge
4	532124937	Bearing
5	532142033	Axle, Front
6	532124931	Bearing, Thrust
7	532137062	Spindle Assembly, R.H.
8	532121749	Washer 25/32 x 1-1/4 x 16 Gauge
9	876020412	Pin, Cotter 1/8 x 3/4
10	819131316	Washer 13/32 x 13/16 x 16 Gauge

KEY NO.	PART NO.	DESCRIPTION
11	532126847	Bushing
12	532130465	Tie Rod
13	532137061	Spindle Assembly, L.H.
14	874011056	Bolt Hex 5/8-11 Unc x 3-1/2
15	873901000	Nut Lock Flange 5/8-11 Unc
16	532110438	Spacer Bearing
17	532124836	Fitting Grease
18	819272016	Washer 27/32 x 1-1/4 x 16 Ga.

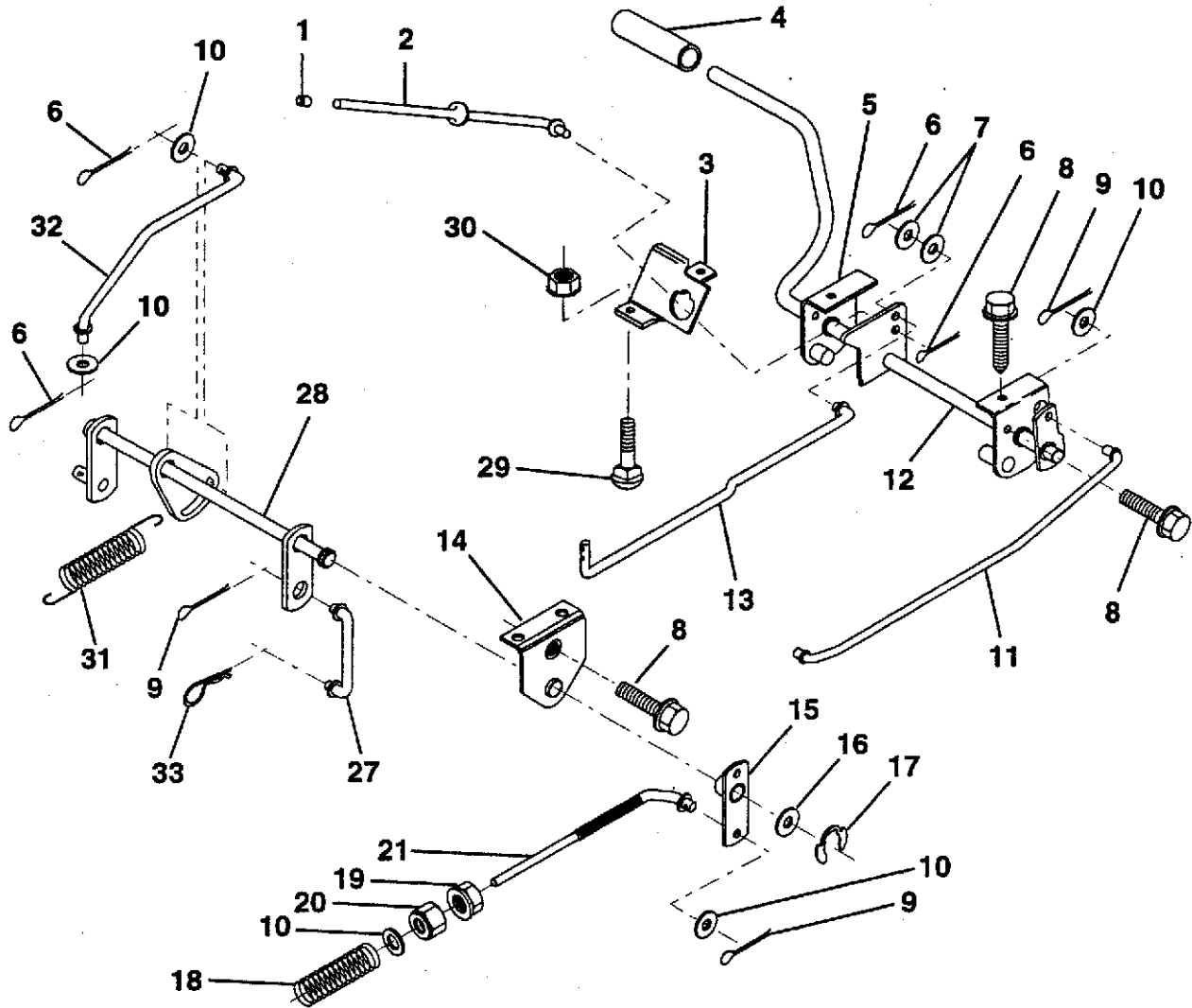
NOTE: All component dimensions given in U.S. inches
1 inch = 25.4 mm

HARDWARE SHOWN LARGER FOR EASIER IDENTIFICATION

REPAIR PARTS

TRACTOR-MODEL NO. LR12 (HC12R38D), PRODUCT NO. 954 00 27-01

BRAKE / REAR MOWER LIFT ASSEMBLY



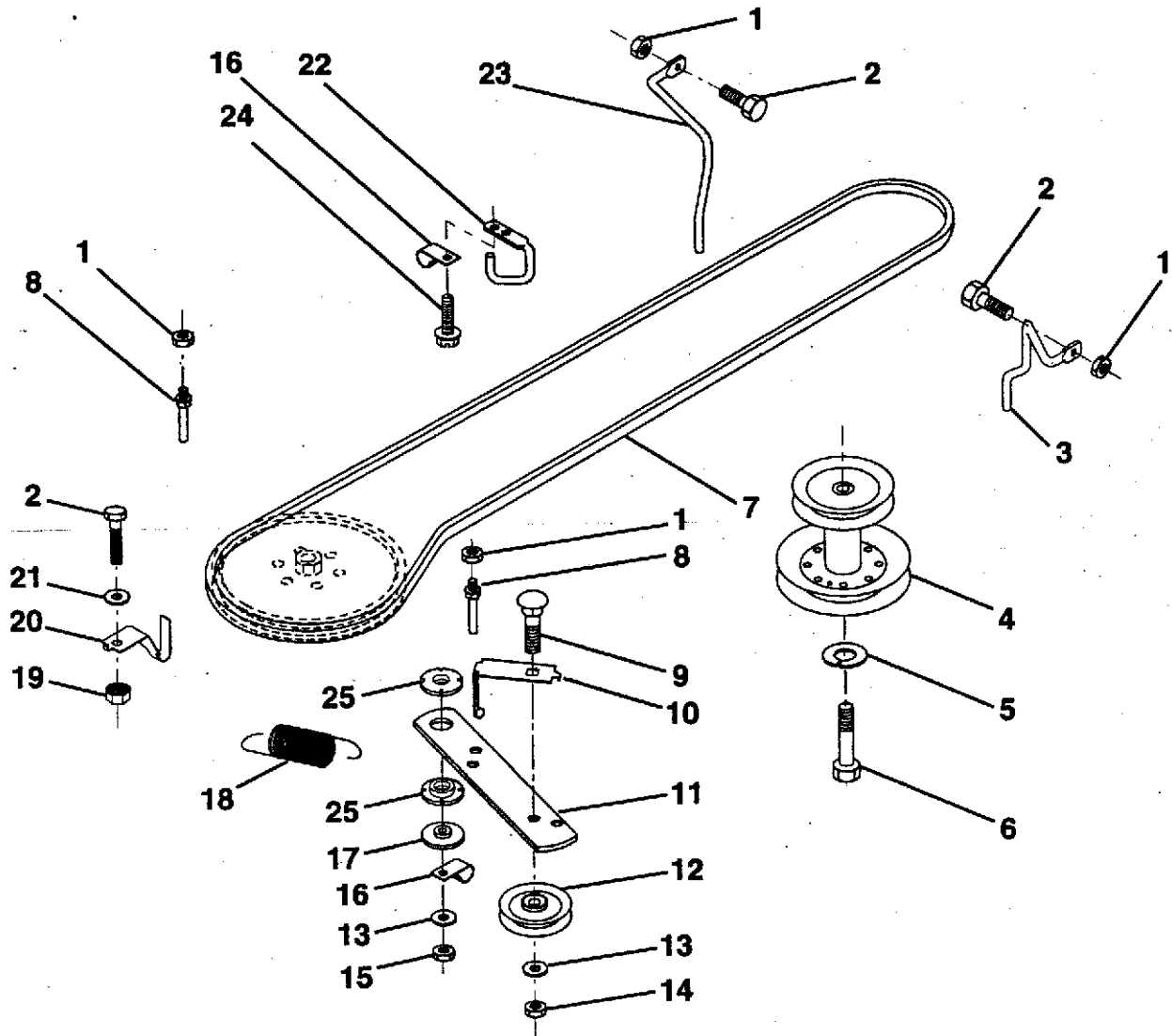
KEY NO.	PART NO.	DESCRIPTION	KEY NO.	PART NO.	DESCRIPTION
1	532071673	Cap, Plunger	16	819251816	Washer 25/32 x 1-1/8 x 16 Gauge
2	532123436	Rod, Parking Brake	17	812000034	Ring, Klip
3	532123437	Bracket, Parking Brake	18	532151332	Spring, Brake Rod
4	532008883	Cover, Pedal	19	873350600	Nut, Hex, Jam 3/8-16 UNC
5	532132205	Bracket, Clutch/Brake Pedal, L.H.	20	873800600	Nut, Lock Hex w/Ins 3/8-16 Unc
6	876020312	Pin, Cotter 3/32 x 3/4	21	532131460	Rod, Brake, Rear
7	819131016	Washer 13/32 x 5/8 x 16 Gauge	27	532136780	Link, Lift, Rear
8	817490508	Screw, Hex Head, Thd., Roll. 5/16-18 x 1/2	28	532140777	Assembly, Rear Mower Lift
9	876020412	Pin, Cotter 1/8 x 3/4	29	872110506	Bolt, Rd Hd Sqnk 5/16-18 UNC
10	819131316	Washer 13/32 x 13/16 x 16 Gauge	30	873510500	Nut, Hex, Keps 5/16-16 UNC
11	532123543	Rod, Brake, Front	31	532133095	Spring, Counterbalance
12	532139934	Assembly, Clutch/Brake Pedal	32	532133721	Link, Lift Lever
13	532123394	Rod, Clutch	33	532127670	Retainer Spring
14	532121978	Bracket, Lift Shaft			
15	532133332	Assembly, Brake, Pivot, Arm			

NOTE: All component dimensions given in U.S. inches
1 inch = 25.4 mm

HARDWARE SHOWN LARGER FOR EASIER IDENTIFICATION

TRACTOR-MODEL NO. LR12 (HC12R38D), PRODUCT NO. 954 00 27-01

GROUND DRIVE



KEY NO.	PART NO.	DESCRIPTION
1	873680500	Nut, Crownlock 5/16-18
2	874760512	Bolt, Hex Head 5/16-18 UNC x 3/4
3	532141341	Keeper, Mower Drive, R.H.
4	532138029	Pulley, Engine
5	810040700	Washer, Lock 7/16
6	871170744	Bolt, Hex Hd. 7/16-20 UNF Grade 5
7	532124525	Traction, V-Belt Drive
8	532123405	Keeper, T/A, Ground Drive Belt
9	872140612	Bolt, Carriage 3/8-16 UNC x 1-1/2
10	532123396	Keeper, Ground Drive Belt Idler
11	532150926	Arm, Ground Drive Clutch
12	532123674	Idler, Flat
13	819131316	Washer 13/32 x 13/16 x 16 Gauge
14	873930600	Nut, Hex, Centerlock 3/8-16 UNC

KEY NO.	PART NO.	DESCRIPTION
15	873680600	Nut, Hex, Crownlock 3/8-16 UNC
17	532150932	Spacer, Retainer
18	532131459	Spring, Extension
19	873510500	Nut, Hex, Keps 5/16-18 UNC
20	532139919	Keeper, T/A, Ground Drive Belt
21	819111016	Washer 11/32 x 5/8 x 16 Gauge
22	532123404	Keeper, Frame Ground Drive Belt
23	532146792	Keeper, Belt LH
24	817720408	Screw, THD Cut
25	532150935	Bushing Nylon
35	532126472	Clip Insulated

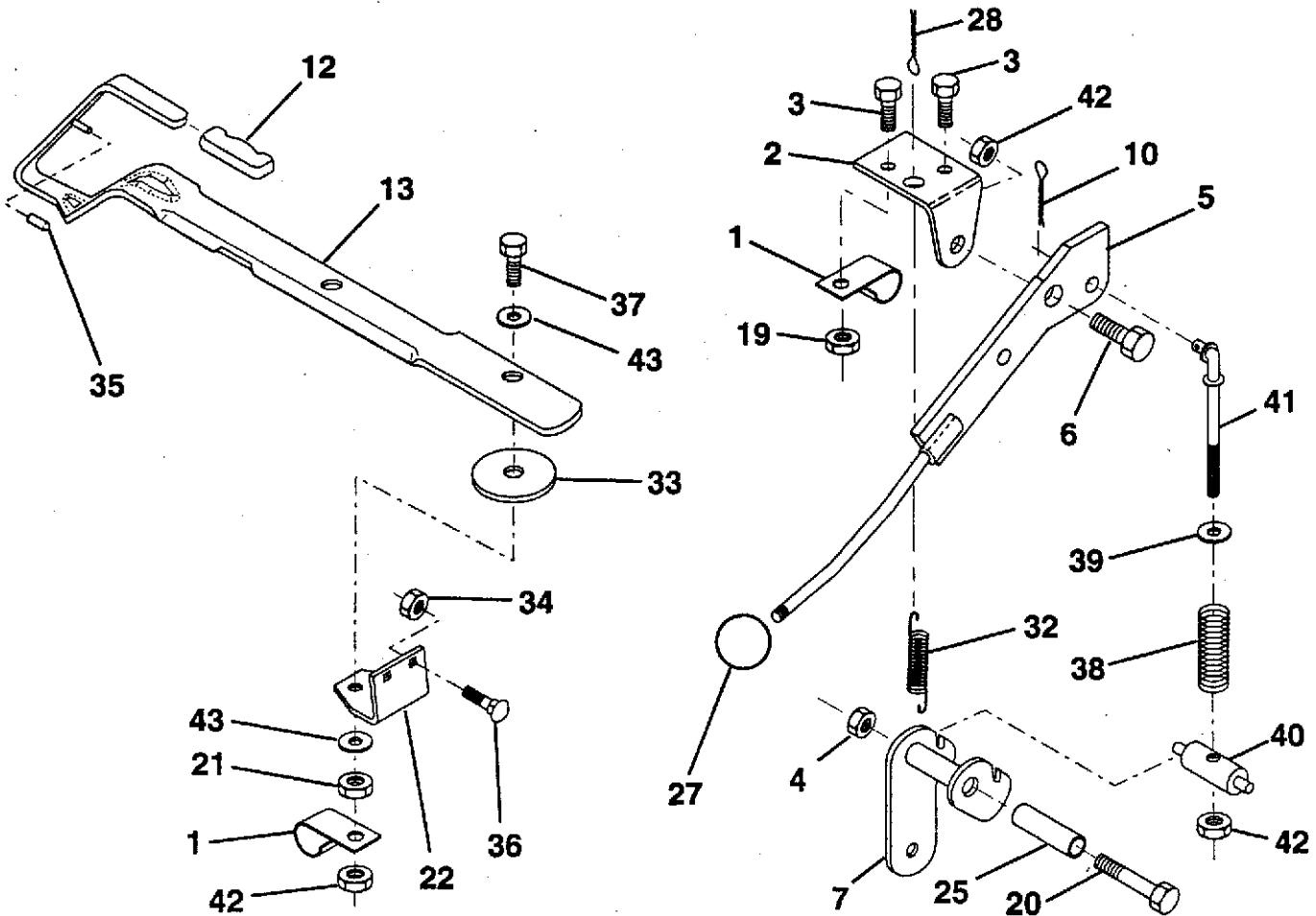
NOTE: All component dimensions given in U.S. inches
1 inch = 25.4 mm

HARDWARE SHOWN LARGER FOR EASIER IDENTIFICATION

REPAIR PARTS

TRACTOR-MODEL NO. LR12 (HC12R38D), PRODUCT NO. 954 00 27-01

MOWER LIFT LEVER



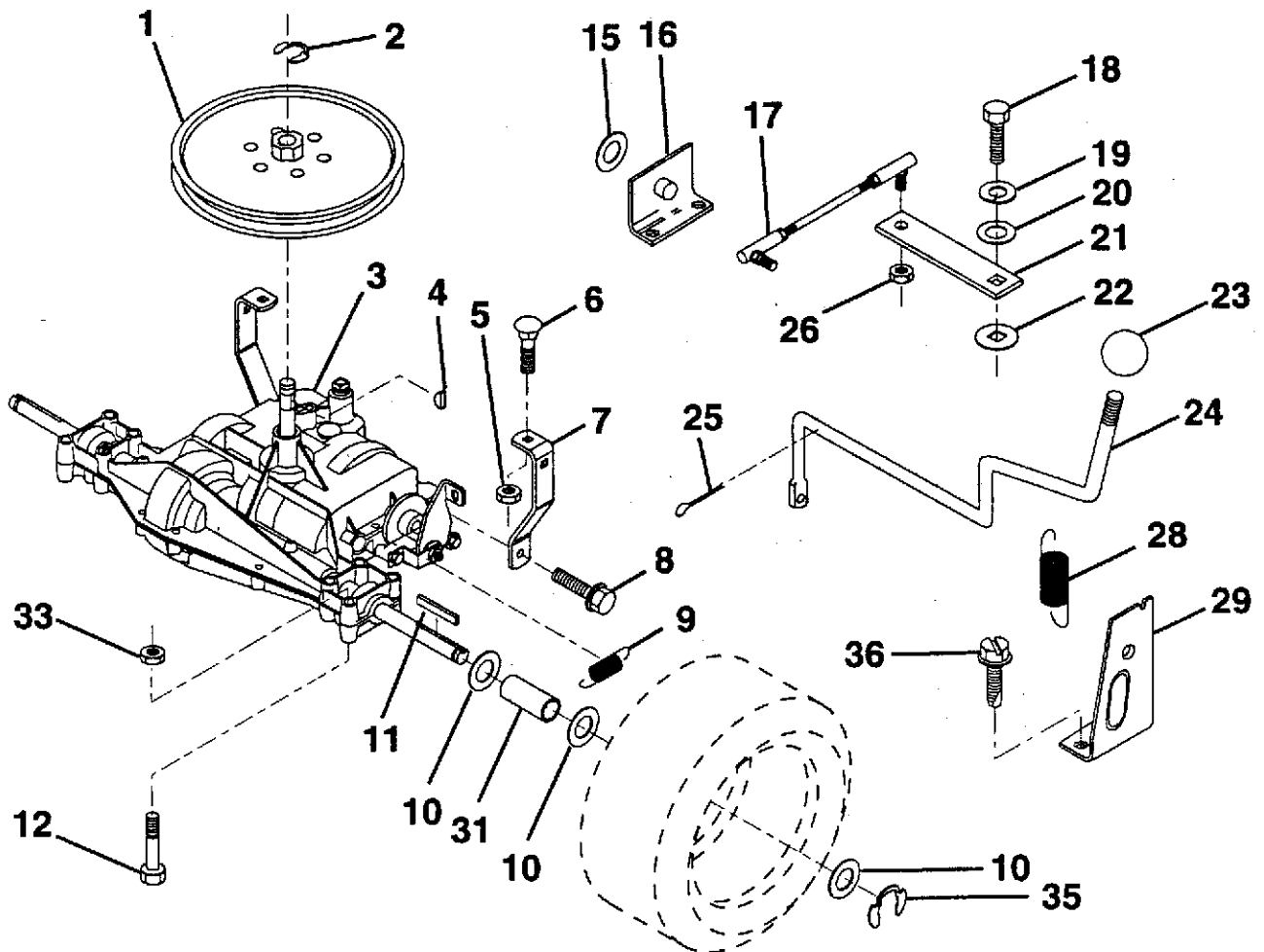
KEY NO.	PART NO.	DESCRIPTION
1	532126470	Clip, Insulated
2	532122018	Bracket, Mower Clutch
3	871110408	Bolt, Hex Hd, Fin. 1/4-20 UNC x 1/2 Gr. 5
4	873680600	Nut, Crownlock 3/8-16
5	532145187	Assembly, Clutch Lever
6	532106451	Bolt, Shoulder
7	532141435	Assembly, Mower Clutch Arm
10	876020412	Pin, Cotter 1/8 x 3/4
12	532122027	Handle, Lift Lever
13	532136658	Assembly, Lift Handle
19	873680400	Nut, Crownlock 1/4-20
20	874760644	Bolt, Hex Hd, Fin. 3/8-16 UNC x 2-3/4
21	873930600	Nut, Centerlock
22	532132561	Bracket, Lift Lever
25	532121933	Tube, Spacer

KEY NO.	PART NO.	DESCRIPTION
27	532121466	Knob
28	876020312	Pin, Cotter 3/32 x 3/4
32	532133435	Spring, Extension, Return
33	532062333	Washer .390 x 1.437 x .074
34	873800500	Nut, Crownlock 5/16-18
35	532133603	Cap, Vinyl, Red
36	872140506	Bolt, Carriage 5/16-18 x 3/4
37	874930624	Bolt, Hex Head 3/8-16 UNC x 1-1/2
38	532133939	Spring, Compression
39	819131616	Washer 13/32 x 1 x 11 Gauge
40	532135107	Trunnion, Threaded 3/8-16
41	532135039	Rod, Tension, Clutch
42	873800600	Nut, Crownlock 3/8-16 UNC
43	532007672	Washer 25/64 x 1-1/4 x 12 Gauge

NOTE: All component dimensions given in U.S. inches
1 inch = 25.4 mm

HARDWARE SHOWN LARGER FOR EASIER IDENTIFICATION

TRANSAXLE



KEY NO.	PART NO.	DESCRIPTION
1	532123385	Pulley
2	812000028	Ring, Retainer
3	532142603	Transaxle, Dana Model No. 4360-79
4	532125096	Key, Woodruff #9
5	873680500	Nut, Crownlock 5/16-18
6	872140506	Bolt, Carriage 5/16-18 UNC x 3/4
7	532123378	Strap, Torque
8	817490512	Screw 5/16-18 x 3/4
9	532146682	Spring, Brake
10	532121749	Washer 25/32 x 1-1/4 x 16 Gauge
11	532123583	Key, Square
12	874760644	Bolt, Hex, Fin. 3/8-16 Unc x 2-3/4
15	819171616	Washer 17/32 x 1 x 16 Gauge
16	532124600	Support Handle Shift, LH
17	532123632	Link, Shift
18	874550412	Bolt, Hex, Fin. 1/4-28 UNF x 3/4 Gr. 8
19	810040400	Washer, Lock 1/4

KEY NO.	PART NO.	DESCRIPTION
20	819091210	Washer 9/32 x 3/4 x 10 Gauge
21	532123539	Arm, Shift
22	532105701	Washer, Shift Plate
23	532121274	Knob, Duckhead
24	532128215	Rod Assembly, Shift
25	876020416	Pin, Cotter 1/8 x 1
26	873810500	Locknut 5/16-24 UNF
28	532128085	Extension, Spring
29	532128084	Support Handle Shift, RH
31	532109502	Spacer Split
33	873680600	Nut Crownlock 3/8-16 Unc
35	812000001	E-Ring
36	817720408	Screw Thd. cut 1/4-20 x 1/2

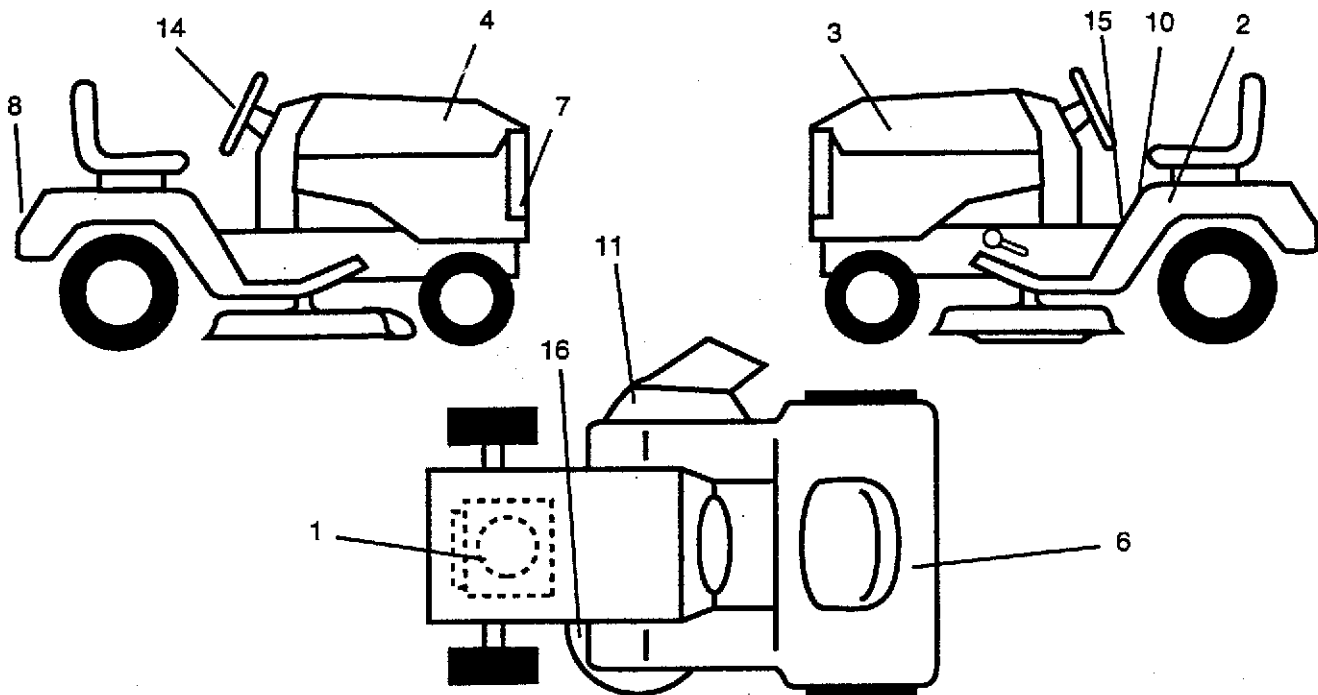
NOTE: All component dimensions given in U.S. inches
1 inch = 25.4 mm

HARDWARE SHOWN LARGER FOR EASIER IDENTIFICATION

REPAIR PARTS

TRACTOR-MODEL NO. LR12 (HC12R38D), PRODUCT NO. 954 00 27-01

DECALS



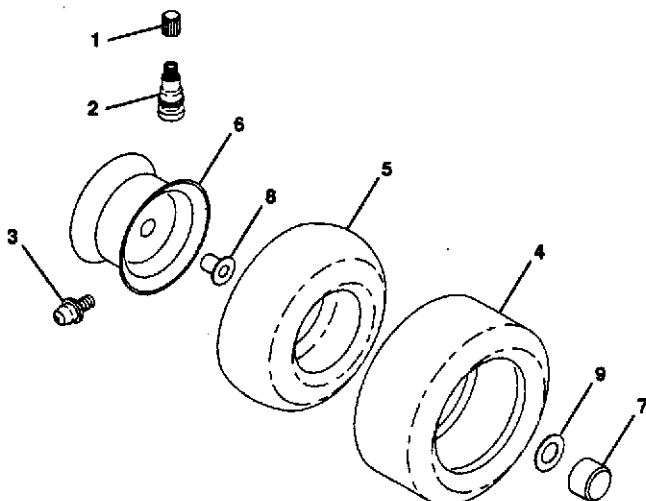
KEY NO.	PART NO.	DESCRIPTION
1	532272440	Decal, Engine, HP
2	532135073	Decal, Indicator
3	532151243	Decal, Hood, L.H.
4	532151242	Decal, Hood, R.H.
6	532145005	Decal, Caution Battery
7	532126860	Decal, Lightbox
8	532150617	Decal, Logo, Fender
10	532133795	Decal, Fender, Caution
11	532137259	Decal, Warning, Multi-Language

KEY NO.	PART NO.	DESCRIPTION
14	532143972	Decal, Insert Steering
15	532138269	Decal, Instruction, Operating
16	532136832	Decal, V-Belt Schematic
--	532150977	Manual, Owner's(English)
--	532150978	Manual, Owner's(French)

Available accessories not included with tractor:

- CR 38 Grass Catcher
- MK380 Mulch Kit
- MP38 Mulch Plate

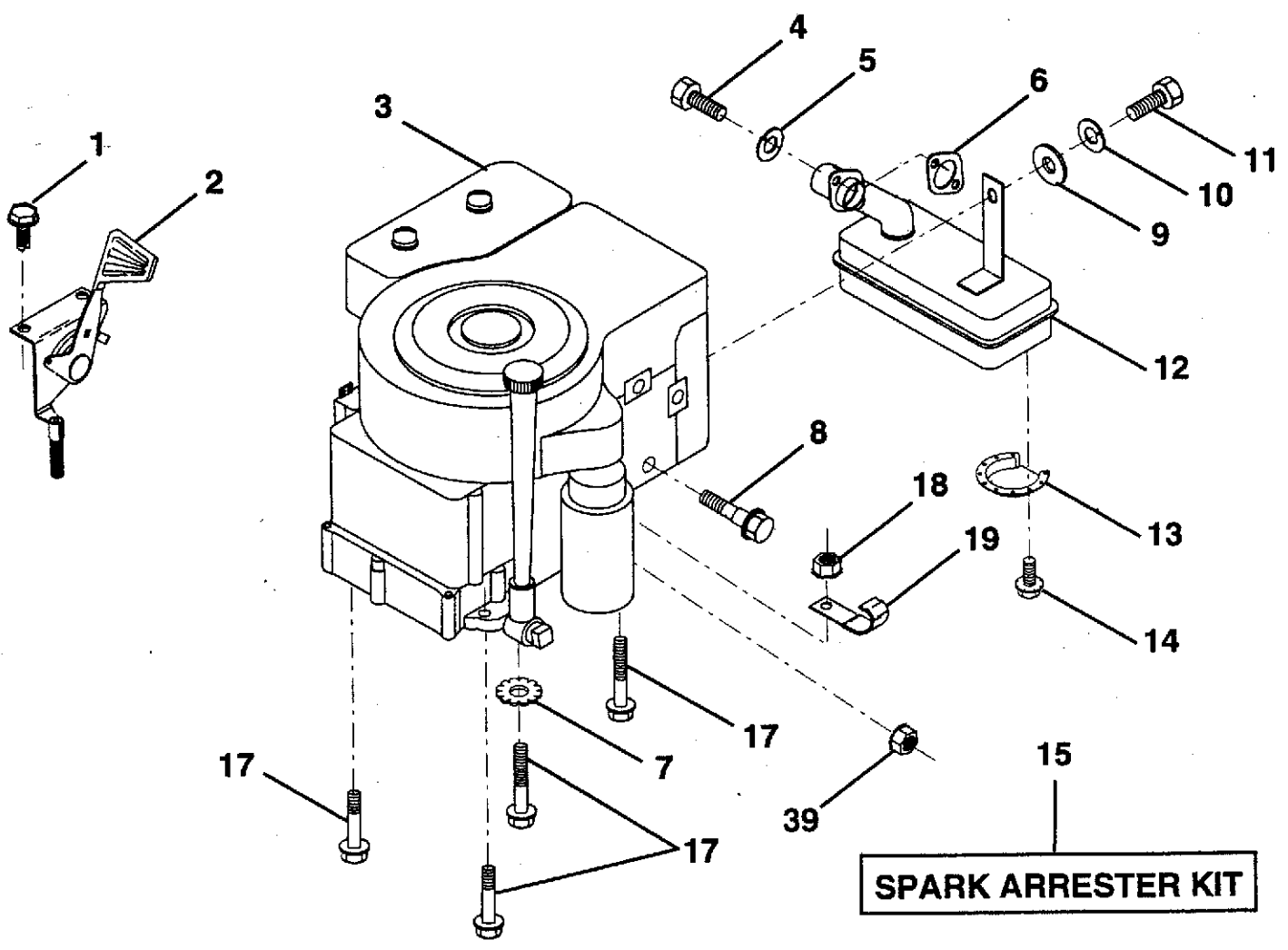
WHEELS & TIRES



KEY NO.	PART NO.	DESCRIPTION
1	532059192	Cap, Valve Stem
2	532065139	Stem, Valve
3	532124957	Fitting, Grease (Front Wheels Only)
4	532137422	Tire, Front
	532132703	Tire, Rear
5	532059904	Tube, Front Tire
	532008134	(Optional - Service Item Only)
		Tube, Rear Tire
		(Optional - Service Item Only)
6	532142039	Rim, Front
	532141652	Rim, Rear
7	532104757	Cap, Hub Axle
8	532124959	Bearing Flange
9	532121748	Washer 25/32 x 1-5/8 x 16 Gauge
--	532144334	Sealant, Tire (10 oz. Tube)

NOTE: All component dimensions given in U.S. inches
1 inch = 25.4 mm

ENGINE



For Husqvarna Parts Call 606-678-9623 or 606-561-4983

REPAIR PARTS

TRACTOR-MODEL NO. LR12 (HC12R38D), PRODUCT NO. 954 00 27-01

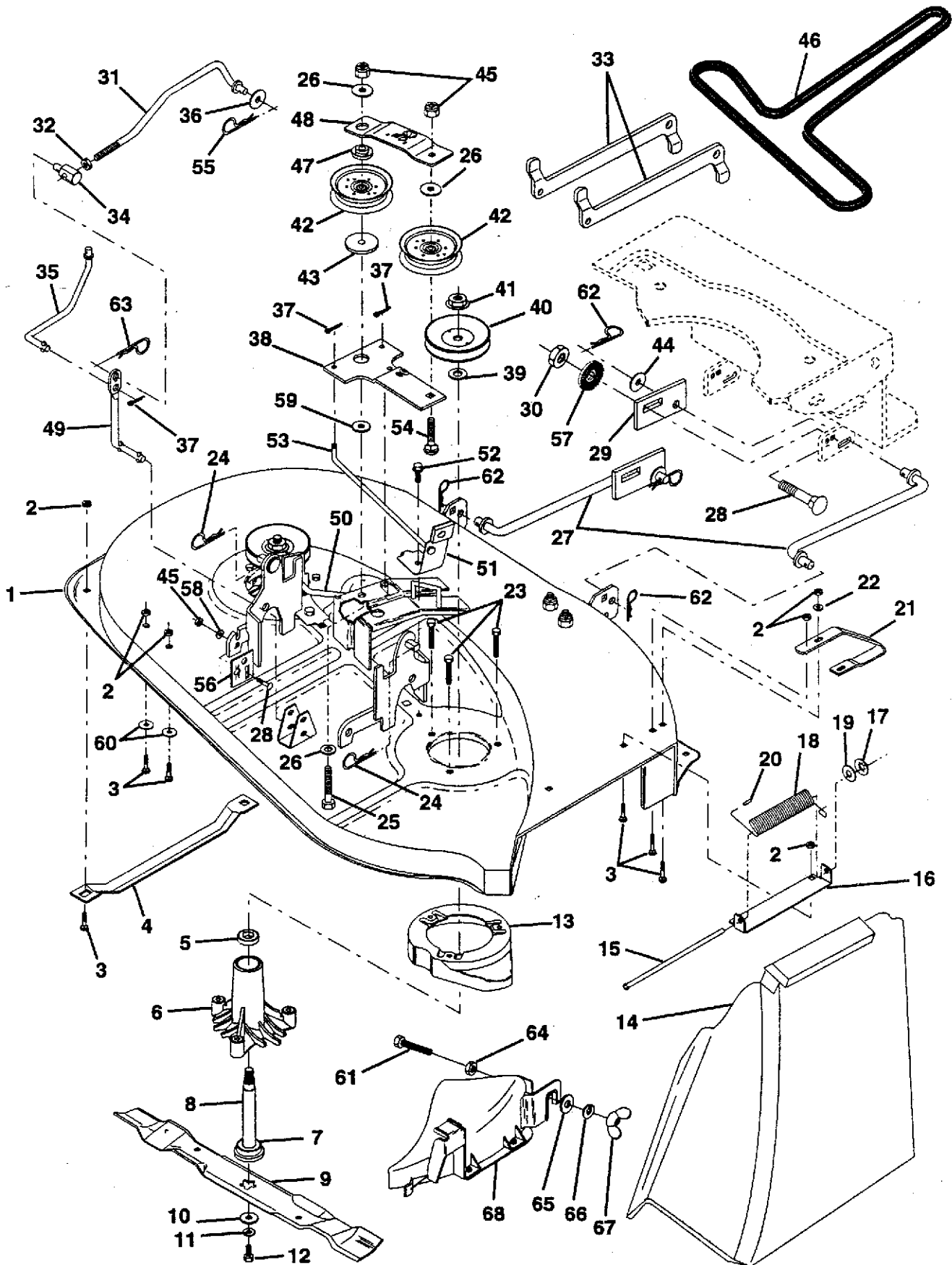
ENGINE

KEY NO.	PART NO.	DESCRIPTION
1	817060408	Screw, Hex Head, Thread Cutting 1/4-20 x 1/2
2	532132752	Control, Throttle
3	---	Engine, Briggs & Stratton, 12 HP, Model #282707-0170-01
4	871070512	Screw, Hex Cap Hd. 5/16-18 x 3/4
5	810040500	Washer, Lock, Heavy Helical Spring 5/16
6	532272293	Gasket, Exhaust
7	811050600	Washer, Lock Ext. Tooth 3/8
8	532121094	Bolt, Shoulder 5/16
9	819101216	Washer 5/16 x 3/4 x 16 Gauge
10	810040400	Washer, Lock, Heavy Helical Spring 1/4
11	-----	Bolt, Hex, Fin. (Order from Engine Manufacturer)
12	532137437	Muffler
13	532101326	Deflector, Muffler
14	817030808	Screw, Spider lock Hex Hd 8 x 1/2
15	532137180	Arrester, Spark (Optional Equipment)
17	817490624	Screw, Hex Washer Head, Thd., Roll. 3/8-16 x 1-1/2
18	873510600	Nut, Hex, Keps 3/8-16
19	532124996	Clip, Fuel Line
39	532128861	Nut, Flange 1/4-20

NOTE: All component dimensions given in U.S. inches
1 inch = 25.4 mm

HARDWARE SHOWN LARGER FOR EASIER IDENTIFICATION

MOWER DECK



REPAIR PARTS

TRACTOR-MODEL NO. LR12 (HC12R38D), PRODUCT NO. 954 00 27-01

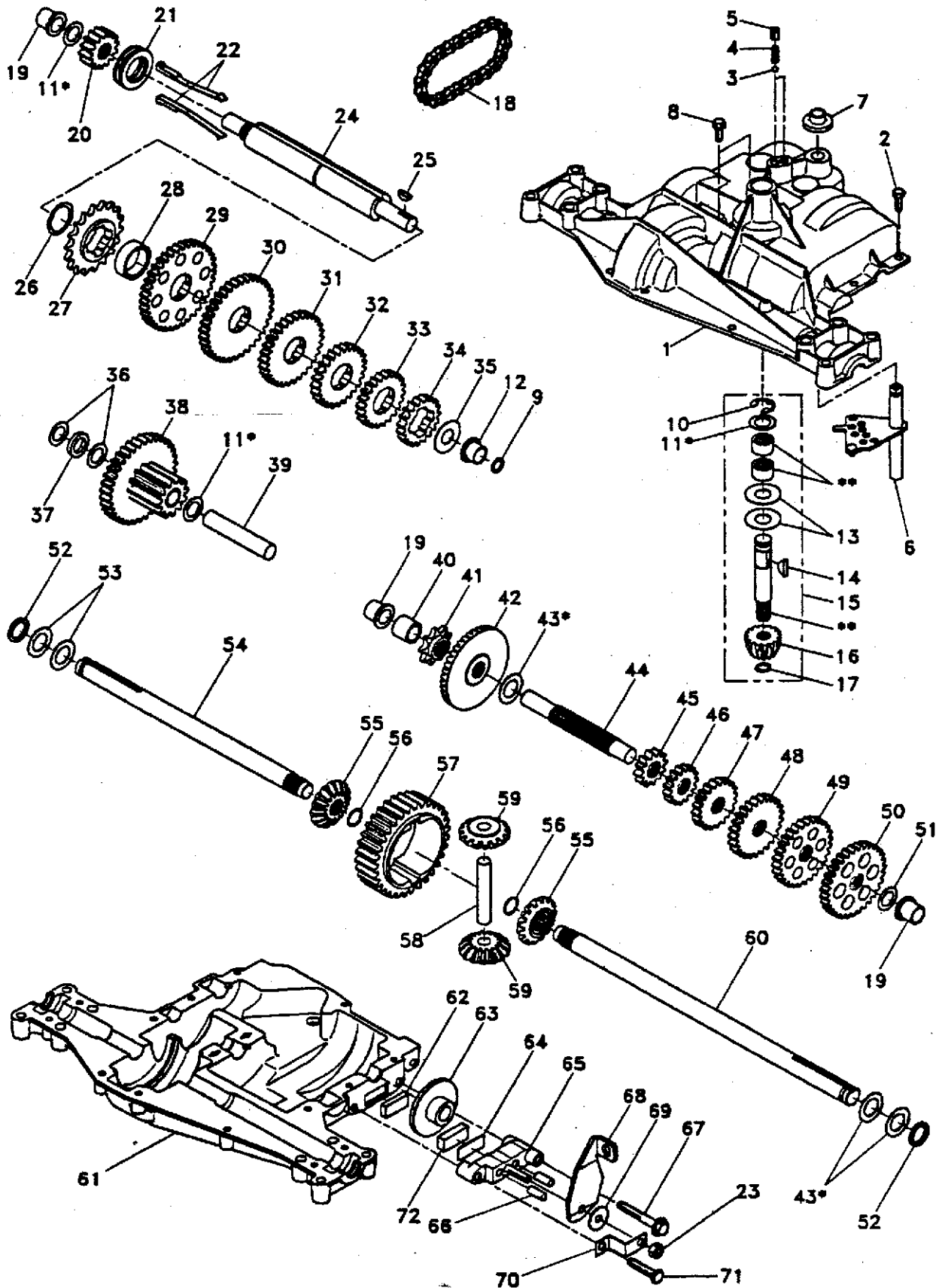
MOWER DECK

KEY NO.	PART NO.	DESCRIPTION	KEY NO.	PART NO.	DESCRIPTION
1	532142830	Mower Deck Assembly	39	532129963	Washer .150 Thick
2	873680500	Nut, Lock Hx w/Ins 5/16-18	40	532129206	Pulley, Mandrel
3	872140506	Bolt, Carriage 5/16-18 x 3/4	41	532137266	Nut, Flangelock 9/16
4	532125074	Runner, L.H.	42	532121316	Pulley, Flat Idler
5	532110485	Bearing	43	532122052	Spacer, Retainer
6	532128774	Housing, Mandrel	44	819162016	Washer 1/2 x 1-1/4 x 16 Ga.
7	532129895	Bearing	45	873680600	Nut, Crownlock 3/8-16
8	532137645	Shaft and Bearing Assembly, Mandrel (Includes Key Number 7)	46	532144200	Belt
9	532134148	Blade	47	532133502	Spacer, Idler Arm
10	532140296	Washer, Hardened	48	532133503	Stiffener, Idler Arm
11	810030600	Washer, Lock 3/8	49	532133551	Rod, Pivot
12	532850857	Bolt, Hex 3/8-24 x 1-1/4 Grade 8	50	532131289	Rod, Brake, L.H.
13	532140329	Stripper, Mower, Vented	51	532130840	Brake Assembly
14	532106736	Shield, Deflector	52	817490512	Screw, Hex Wsh Hd, Thdrol. 5/16-18 x 3/4
15	532106735	Rod, Hinge	53	532131288	Rod, Brake, R.H.
16	532137607	Bracket Assembly, Deflector	54	872110614	Bolt, Carriage 3/8-16 x 1-3/4 Gr. 5
17	532110452	Pushnut	55	532124961	Spring, Retainer
18	532123713	Spring, Deflector	56	532136782	Adjustment Plate, Rear Link, L.H.
19	819111016	Washer 11/32 x 5/8 x 16 Gauge	57	532144283	Washer 13/32 x 1 Serrated
20	532105304	Cap, Sleeve	58	819131212	Washer 13/32 x 3/4 x 12 Gauge
21	532128772	Runner, R.H.	59	532133943	Washer Hardened
22	819111216	Washer 11/32 x 3/4 x 16 Gauge	60	819111112	Washer 11/32 x 11/16 x 12 Gauge
23	532138776	Bolt 5/16-18 x 1.25	61	874930620	Bolt 3/8-16 x 1-1/4
24	532124670	Retainer, Spring	62	532124660	Retainer Spring
25	874600636	Bolt, Hex 3/8-16 x 2-1/4	63	532124788	Retainer Spring
26	819131612	Washer 13/32 x 1 x 12 Gauge	64	873930600	Nut, Centerlock 3/8-16
27	532139756	Link Assembly, Front	65	819132016	Washer 13/32 x 1-1/4 x 16 Ga.
28	872140608	Bolt, Carriage 3/8-16 x 1	66	810040600	Washer Lock 3/8
29	532139757	Plate Slide Link	67	532135651	Nut Wing
30	873800600	Nut, Lock Hex w/washer 3/8-16	68	532132803	Cover Asm Mulching
31	532140915	Clutch Rod, Primary	--	532130794	Mandrel Assembly (Includes Key Numbers 5-8, 10-12, 39 and 41)
32	873350600	Nut, Hex, Jam 3/8-16	--	532144975	Mower Deck, Complete (Std. Deck Order Mulcher Plate Components Separately Key Nos. 64-69)
33	532132559	Arm, Suspension, Rear			
34	532133604	Trunnion 3/8-16			
35	532132554	Clutch Rod, Secondary			
36	819131316	Washer 13/32 x 13/16 x 16 Gauge			
37	876020312	Pin, Cotter 3/32 x 3/4			
38	532133840	Idler Arm			

NOTE: All component dimensions given in U.S. inches
1 inch = 25.4 mm

HARDWARE SHOWN LARGER FOR EASIER IDENTIFICATION

REPAIR PARTS a Parts Call 606-678-9623 or 606-561-4983
TRACTOR-MODEL NO. LR12 (HC12R38D), PRODUCT NO. 954 00 27-01
TRANSAXLE DANA, MODEL NO. 4360-79



For Husqvarna Parts Call 606-678-9623 or 606-561-4983

REPAIR PARTS

TRACTOR-MODEL NO. LR12 (HC12R38D), PRODUCT NO. 954 00 27-01

TRANSAXLE DANA, MODEL NO. 4360-79

KEY PART NO. NO.	DESCRIPTION	KEY PART NO. NO.	DESCRIPTION
1 532142671	Housing, Upper	41 532105928	Sprocket, 9 Teeth (Reverse)
2 532002274	Screw, Self-Tapping, Large 1/4-20 x .734	42 532110084	Gear, Bevel, 42 Teeth
3 532134400	Ball, Detent	43 532134394	* Assembly, Kit, Shim .750 Shaft
4 532105904	Spring, Detent	44 532120473	Shaft, Drive
5 532105905	Screw, Set	45 532142678	Gear, Spur, 12 Teeth (1*)
6 532138235	Kit, Shifter Assembly	46 532142679	Gear, Spur, 15 Teeth (2*)
7 532134399	Boot, Shifter	47 532120407	Gear, Spur, 20 Teeth (3*)
8 532134791	Screw, Self-Tapping, with Sealer	48 532106589	Gear, Spur, 25 Teeth (4*)
9 532138241	Square Ring	49 532120408	Gear, Spur, 28 Teeth (5*)
10 532142672	Ring, Retaining	50 532105937	Gear, Spur, 31 Teeth (6*)
11 532134793	* Assembly, Kit, Shim .625 Shaft	51 532002226	Washer, Plain .632 x 1.00 x .060
12 532142673	Bearing, Flange	52 532134401	Washer, Neoprene
13 532120415	Washer, Plain .632 x 1.38 x .046	53 532002264	Washer, Plain .758 x 1.25 x .031
14 532142674	Key, Woodruff, #9	54 532120474	Axle, L.H.
15 532138234	Assembly, Kit, Input Shaft	55 532110081	Gear, Miter, 15 Teeth
16 532110078	Pinion, Bevel, 14 Teeth	56 532105941	Ring, Retaining
17 532105909	Ring, Retaining	57 532110071	Gear, Spur, 32 Teeth
18 532105910	Chain, 24 Pitches	58 532120952	Shaft, Cross
19 532105911	Bearing, Flange	59 532110082	Gear, Miter, 15 Teeth
20 532142675	Gear, Spur, 14 Teeth	60 532123908	Axle, R.H.
21 532138246	Collar, Clutch	61 532142680	Housing, Lower
22 532138236	Assembly, Kit, Clutch Keys	62 532120961	Puck, Friction
23 873810500	Locknut 5/16-24	63 532007294	Disc, Brake
24 532142676	Shaft, Intermediate	64 532108989	Spacer
25 532002244	Key, Woodruff, #61	65 532120953	Jaw, Brake
26 532105916	Ring, Retaining	66 532120954	Pin, Dowel
27 532120470	Sprocket, 18 Teeth (Reverse)	67 532134799	Screw, Self-Tapping, Large 5/16-18 x 2.25
28 532110070	Spacer	68 532138244	Lever, Actuating
29 532142677	Gear, Spur, 37 Teeth (1*)	69 532108996	Washer, Plain .321 x 1.00 x .055
30 532142681	Gear, Spur, 35 Teeth (2*)	70 532120956	Bracket, Anti-Rotation
31 532120405	Gear, Spur, 30 Teeth (3*)	71 532106596	Screw, Self-Tapping, Large 5/16-18 x 1.44
32 532108980	Gear, Spur, 25 Teeth (4*)	72 532120951	Puck, Friction
33 532120406	Gear, Spur, 22 Teeth (5*)	73 532120416	Grease
34 532134796	Gear, Spur, 19 Teeth (6*)		
35 532105925	Washer, Plain .640 x 1.37 x .061		
36 532002232	Washer, Plain .632 x 1.00 x .026		
37 532108978	Spacer .630 x 1.00 x .169		
38 532110079	Assembly, Gear, Combination of 12 Teeth and 35 Teeth		
39 532124639	Shaft, Idler		
40 532120472	Spacer .635 x .875 x .755		

* Use in combinations to maintain proper clearances

** Order Key No. 15

NOTE: All component dimensions given in U.S. inches
1 inch = 25.4 mm