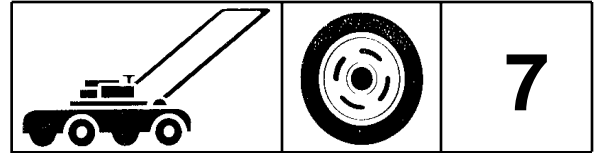
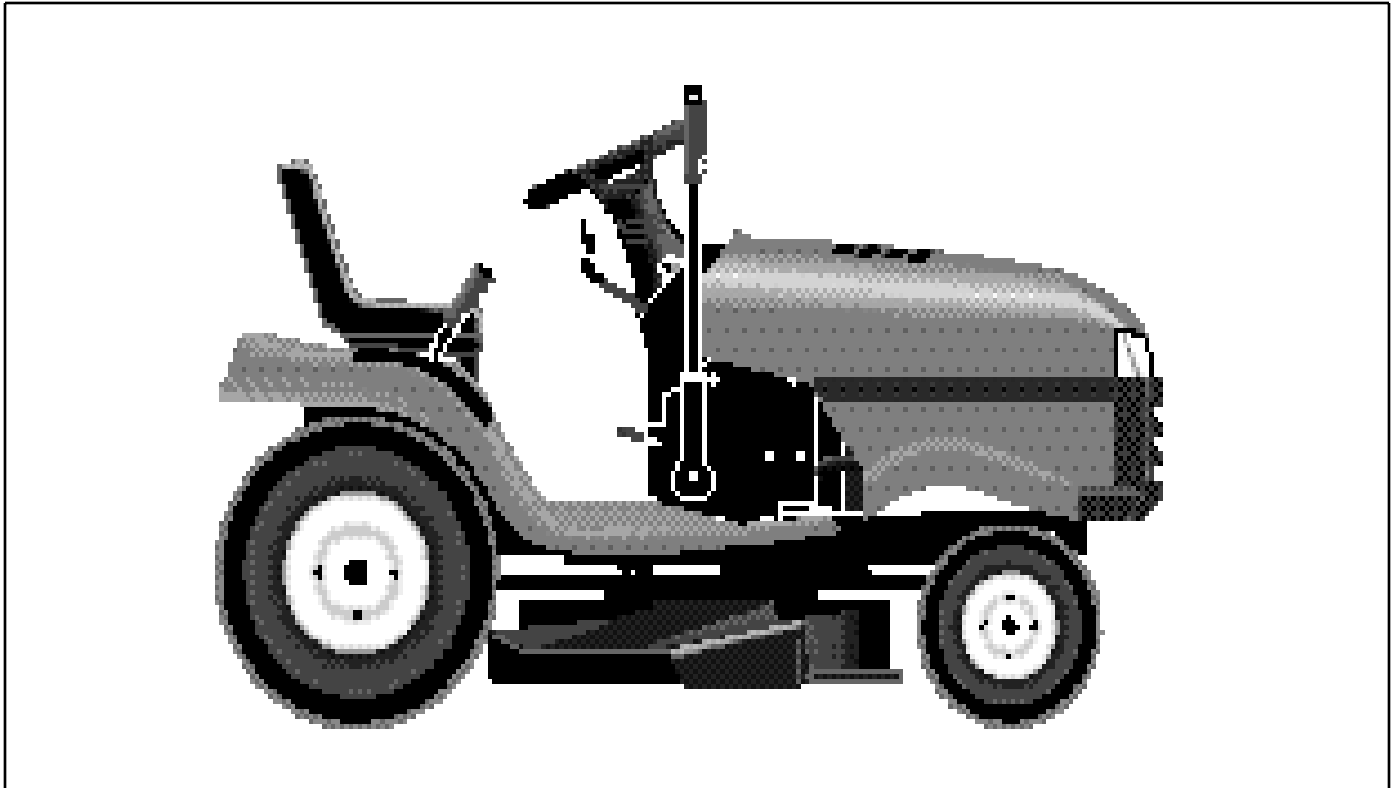


For Husqvarna Parts Call 606-678-9623 or 606-561-4983

 **Husqvarna**

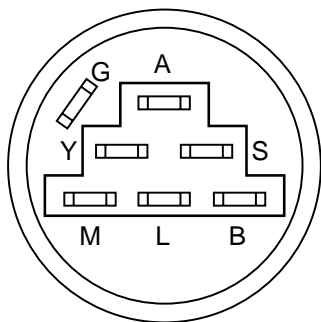
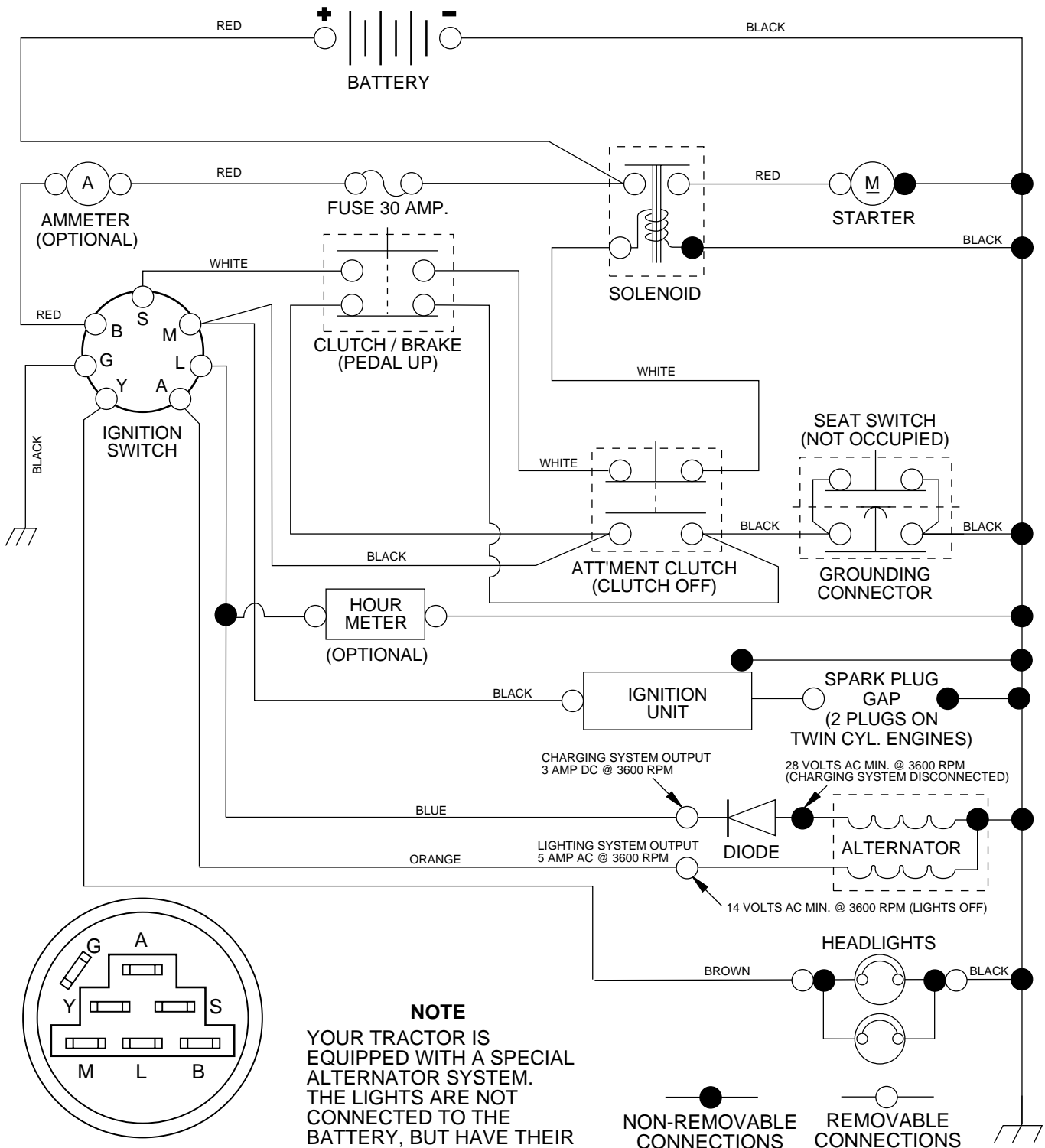


LT 130



**1.1997**  
**Spare Parts**

**954 14 00-04A**



**IGNITION SWITCH**

POSITION	CIRCUIT	"MAKE"
OFF	G + M + L	NONE
RUN/LIGHT	B + L	A + Y
RUN	B + L	NONE
START	B + L + S	NONE

**NOTE**  
 YOUR TRACTOR IS EQUIPPED WITH A SPECIAL ALTERNATOR SYSTEM. THE LIGHTS ARE NOT CONNECTED TO THE BATTERY, BUT HAVE THEIR OWN ELECTRICAL SOURCE. BECAUSE OF THIS, THE BRIGHTNESS OF THE LIGHTS WILL CHANGE WITH ENGINE SPEED. AT IDLE THE LIGHTS WILL DIM. AS THE ENGINE IS SPEEDED UP, THE LIGHTS WILL BECOME THEIR BRIGHTEST.



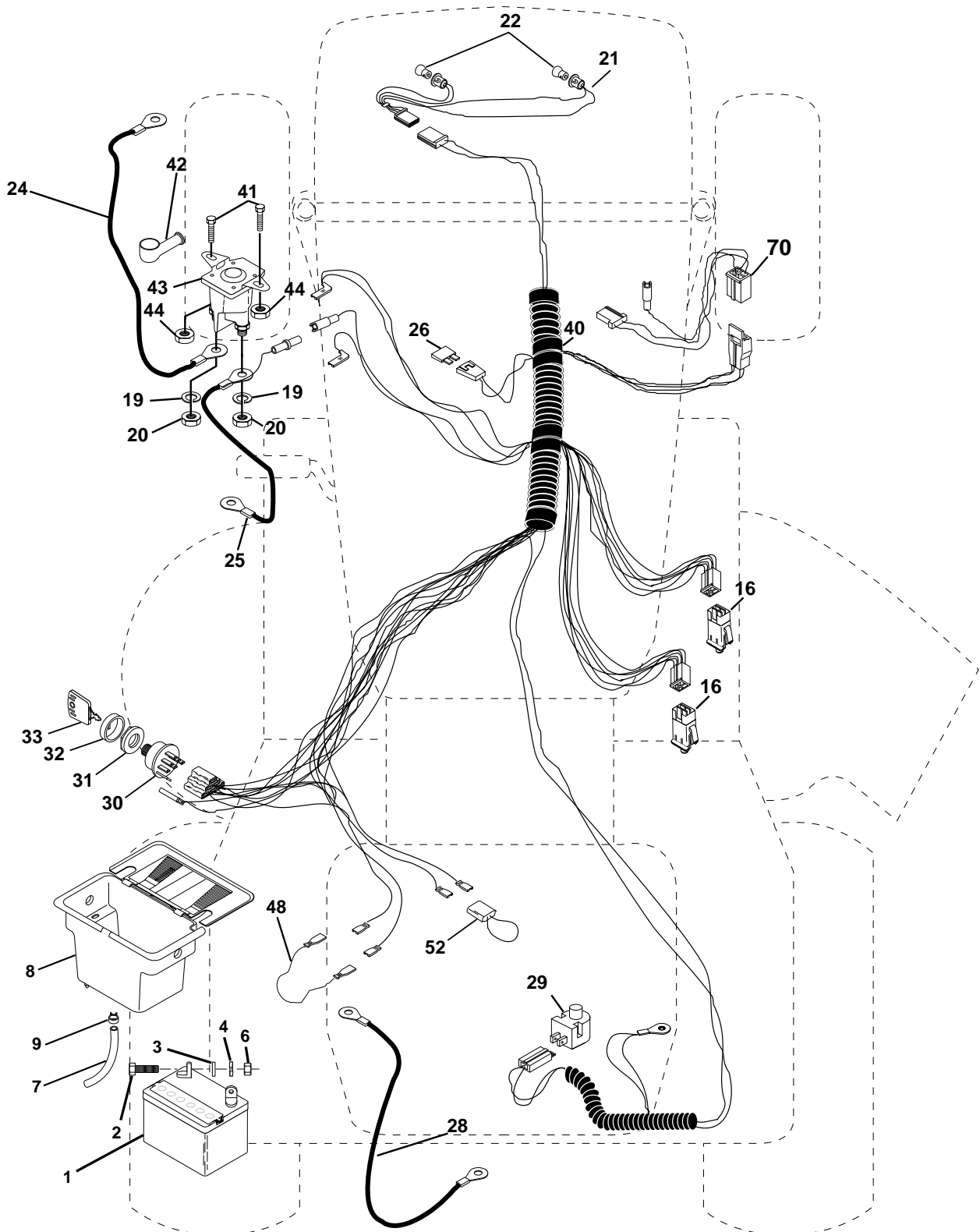
**WIRING INSULATED CLIPS**

**NOTE:** IF WIRING INSULATED CLIPS WERE REMOVED FOR SERVICING OF UNIT, THEY SHOULD BE REPLACED TO PROPERLY SECURE YOUR WIRING.

# For Husqvarna Parts Call 606-678-9623 or 606-561-4983 REPAIR PARTS

TRACTOR - MODEL NO. LT130 (954140004A), PRODUCT NO. 954 1400-04

## ELECTRICAL



# For Husqvarna Parts Call 606-678-9623 or 606-561-4983 REPAIR PARTS

TRACTOR - MODEL NO. LT130 (954140004A), PRODUCT NO. 954 1400-04

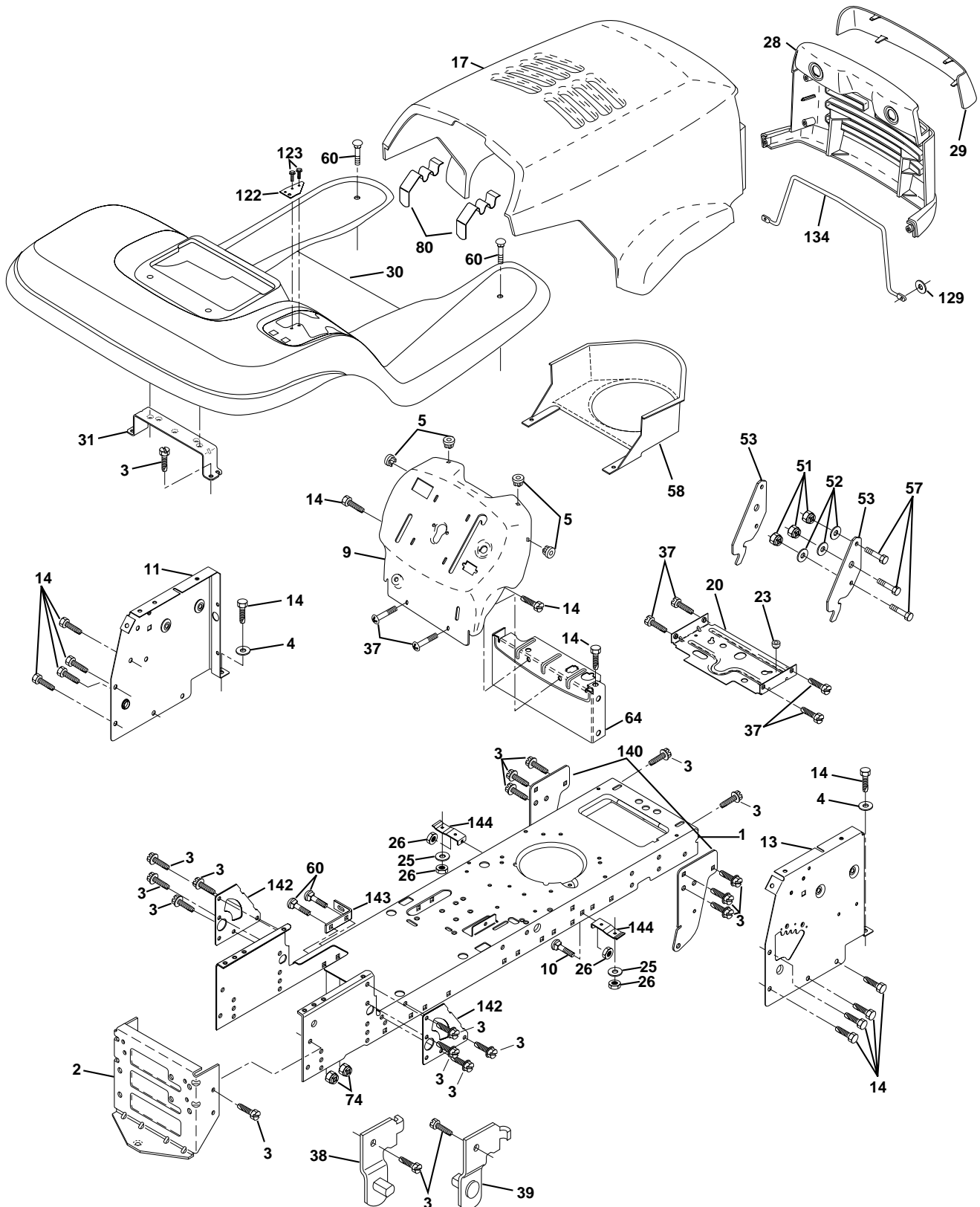
## ELECTRICAL

KEY NO.	PART NO.	DESCRIPTION
1	532 14 61-39	Battery 12 Volt 25 AMP
2	874 76 04-12	Bolt Hex Hd 1/4-20unc X 3/4
3	819 09 10-16	Washer 9/32 X 5/8 X 16 Ga.
4	810 04 04-00	Washer Lock Hvy Helical 1/4
6	873 22 04-00	Nut Fin Hex 1/4-20 Unc
7	532 10 92-38	Tube Plastic 12"
8	532 15 64-17	Case Battery Mech Hinge
9	532 10 95-96	Clamp Hose Olive
16	532 15 36-64	Switch Interlock Push-In
19	810 09 04-00	Washer Lock 1/4
20	873 35 04-00	Nut Jam Hex 1/4-20 Unc
21	532 13 68-50	Harness Asm Light W/4152j
22	532 00 41-52	Bulb Light #1156
24	532 12 47-80	Cable Battery 6 Ga 11" red
25	532 14 61-47	Cable Battery 6 Ga 44" red w/16 wire
26	532 10 88-24	Fuse 30 AMP Auto Green
28	532 12 47-73	Cable Ground 6 Ga 12" black
29	532 12 13-05	Switch Plunger Nc Gray
30	532 14 03-01	Switch Ign 4 pos w/lights
31	532 12 42-11	Nut Ignition
32	532 14 12-26	Cover Sw Ignition
33	532 12 21-47	Key Ign Modelled Generic
40	532 15 64-42	Harness Ign.
41	871 11 04-08	Bolt Blk Fin Hex 1/4 - 20 x 1/2
42	532 13 15-63	Cover Terminal Red
43	532 14 56-73	Solenoid
44	873 64 04-00	Nut Keps Hex 1/4-20 Unc
48	532 14 08-44	Adapter Ammeter Rectangular
52	532 14 19-40	Protection Wire Loop
70	532 14 04-13	Harness, Eng. B&S/Tec Dual

**NOTE:** All component dimensions given in U.S. inches.  
1 inch = 25.4 mm.

TRACTOR - MODEL NO. LT130 (954140004A), PRODUCT NO. 954 1400-04

**CHASSIS AND ENCLOSURES**



# For Husqvarna Parts Call 606-678-9623 or 606-561-4983 REPAIR PARTS

TRACTOR - MODEL NO. LT130 (954140004A), PRODUCT NO. 954 1400-04

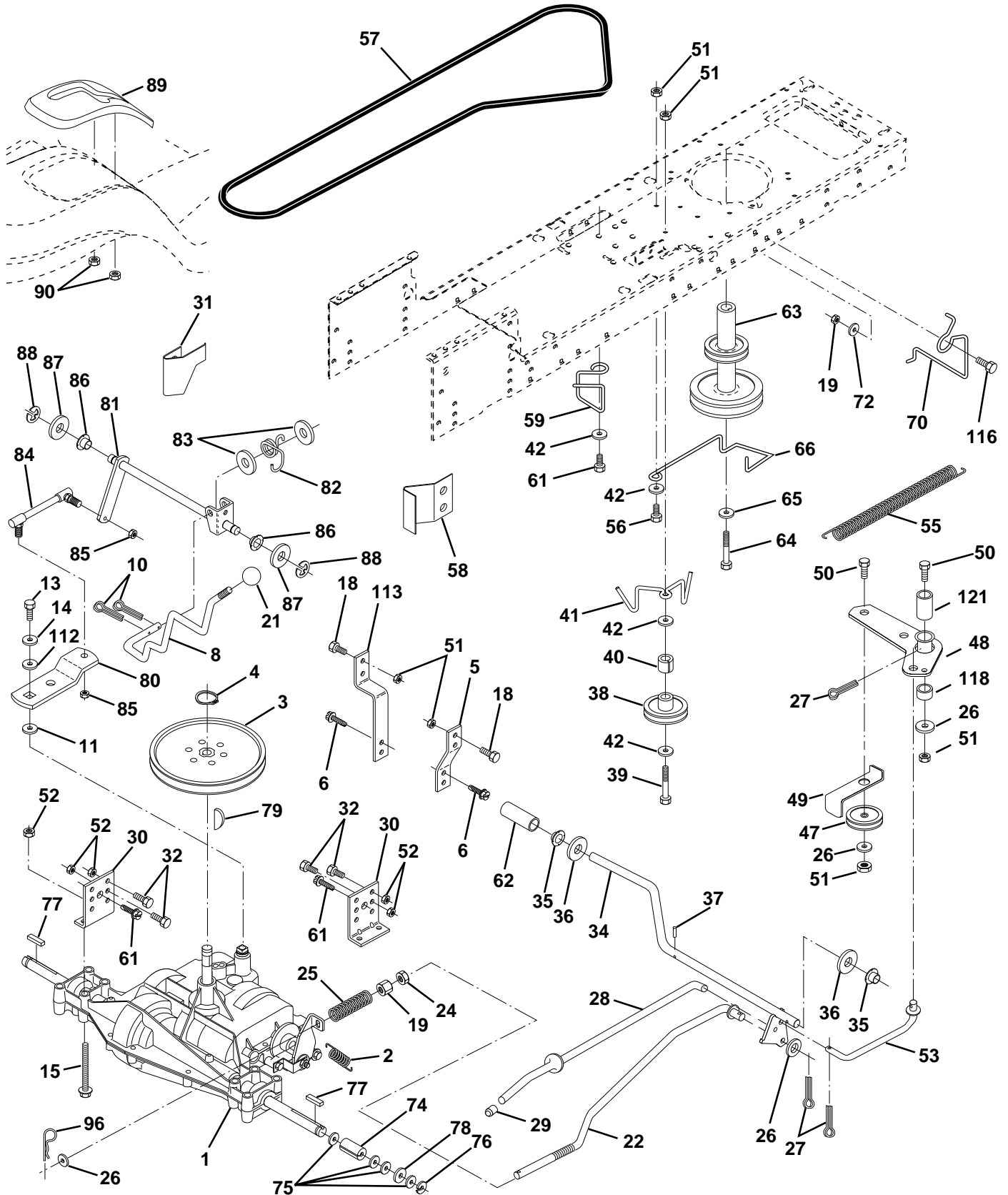
## CHASSIS AND ENCLOSURES

KEY NO.	PART NO.	DESCRIPTION
1	532 15 38-71	Chassis Weldment
2	532 14 03-56	Drawbar, Stretch
3	817 49 06-12	Screw Thdrol 3/8-16x3/4 Ty-tt
4	819 13 12-16	Washer 13/32 x 3/4 x 16 Ga.
5	532 15 52-72	Bumper Hood/Dash
9	532 15 72-61	Dash P/L M, N/AMM N/HM Grey
10	872 14 06-08	Bolt Carriage 3/8-16 x 1
11	532 15 59-27	Panel Dash Lh
13	532 15 72-62	Panel Dash Rh
14	817 49 06-08	Screw Thdrol 3/8-16x1/2 Ty-tt
17	532 15 60-51	Hood LT/PL Husqvarna
20	532 15 64-37	Plate Mtg Battery Fuel Tank Fr
23	532 12 40-28	Bushing
25	819 13 13-12	Washer 13/32 X 13/16 X 12 Ga
26	873 80 06-00	Nut Lock Hex W/Ins 3/8-16 Unc
28	532 14 97-76	Grille LT/PL Husqvarna
29	532 14 97-77	Lens LT/PL Husqvarna
30	532 15 64-89	Fender Footrest STLT Pnt
31	532 13 99-76	Bracket Support Fender
37	817 49 05-08	Screw Thdrol 6/16-18 x 1/2 TYT
38	532 13 98-86	Bracket, Asm. Pivot, L.H., Mower Rear
39	532 13 98-87	Bracket, Asm. Pivot, R.H., Mower Rear
51	873 80 04-00	Nut Lock Hex W/Ins 1/4-20
52	819 09 14-16	Washer 9/32 x 7/8 x 16 Ga.
53	532 15 00-67	Bracket Pnt. Pick off LT/PL Husqvarna
57	874 78 04-12	Bolt Hex 1/4-20 x 3/4
58	532 15 01-27	Air Duct Engine P/L
60	872 14 06-06	Bolt Rdhd Sqnk 3/8-16unc x 3/4
64	532 15 47-98	Dash Lower STLT
74	873 68 06-00	Nut Crownlock 3/8-16 UNC
80	532 15 58-54	Latch Hood Plm Husqvarna
129	819 09 10-16	Washer 9/32 x 5/8 x 16 Ga.
134	532 15 01-32	Rod Support Hood LT/PL Husq.
140	532 15 05-56	Bracket Chassis Front 7 Ga.
142	532 15 60-95	Plate Reinforcement STLT
143	532 15 49-66	Bracket Swaybar Chassis
144	532 15 42-07	Bracket Pnt Footrest STLT
146	532 15 43-34	Screw Torx Hd Thd 5/16-18 UN-2A
--	532 00 54-79	Plug Button

**NOTE:** All component dimensions given in U.S. inches  
1 inch = 25.4 mm

TRACTOR - MODEL NO. LT130 (954140004A), PRODUCT NO. 954 1400-04

**DRIVE**



TRACTOR - MODEL NO. LT130 (954140004A), PRODUCT NO. 954 1400-04

### DRIVE

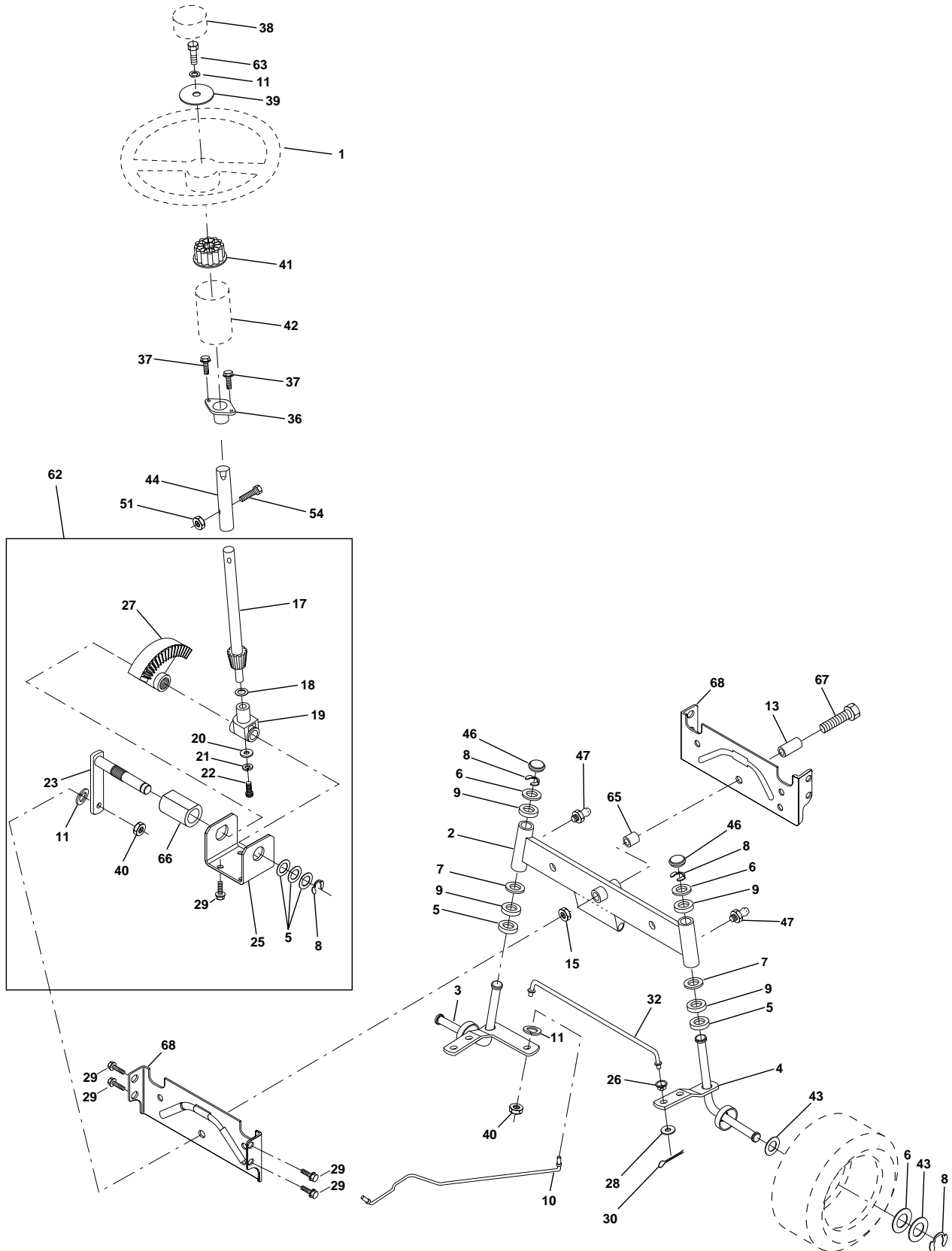
KEY PART NO.	NO.	DESCRIPTION	KEY PART NO.	NO.	DESCRIPTION
1	-----	Transaxle (See Breakdown)	51	873 68 06-00	Nut Crownlock 3/8-16 Unc
		Peerless 930-055A	52	873 68 05-00	Nut Crownlock 5/16-18 Unc
2	532 14 66-82	Spring Return Brake T/a Zinc	53	532 10 57-10	Link Clutch
3	532 12 36-66	Pulley Transaxle 18" tires	55	532 10 57-09	Spring Return Clutch 6 75
4	812 00 00-28	Ring Retainer # 5100-62	56	874 76 06-20	Bolt Fin Hx 3/8-16 X 1/4
5	532 12 15-20	Strap Torque 30 Degrees	57	532 13 08-01	V-Belt Ground Drive 95 25
6	817 49 05-12	Screw Thdrol 5/16-18 X 3/4 TYT	58	532 12 72-74	Keeper Belt RH LT Pnt/zinc 16g
8	532 15 47-92	Rod Shifter	59	532 14 03-12	Keeper Belt Span Ctr
10	876 02 04-16	Pin Cotter 1/8 X 1 Cad	61	817 49 06-12	Screw Thdrol 3/8-16x3/4 Ty-tt
11	532 10 57-01	Washer Plate Shf 388 Sq Hole	62	532 12 48-72	Cover Pedal Blk Round
13	874 55 04-12	Bolt 1/4-28 Unf Gr 8 W/Patch	63	532 14 01-86	Engine Pulley LT/YT
14	810 04 04-00	Washer Lock Hvy Helical 1/4	64	871 17 07-64	Bolt Hex
15	874 49 05-44	Bolt Hex 5/16-18 Gr. 5	65	810 04 07-00	Washer Lock Hvy Hlcl Spr 7/16
18	874 78 06-16	Bolt, Fin Hex 3/8-16 UNC x 1 Gr. 5	66	532 15 47-78	Keeper Belt Engine Foolproof
19	873 80 06-00	Nut Lock 3/8-16 Unc	70	532 13 46-83	Guide Belt Mower Drive RH
21	532 12 12-74	Knob	72	819 13 20-12	Washer 13/32 X 1-1/4 X 12 Ga
22	532 13 08-04	Rod Brake Blk Zinc 26 840	74	532 13 70-57	Spacer Axle
24	873 35 06-00	Nut Hex Jam 3/8-16 Unc	75	532 12 17-49	Washer 25/32 X 1 1/4 X 16 Ga
25	532 10 68-88	Spring Rod Brake 2 00 Zinc	76	812 00 00-01	E-ring #5133-75
26	819 13 13-16	Washer 13/32 X 13/16 X 16 Ga	77	532 12 35-83	Key Square 2 0 X 1845/ 1865
27	876 02 04-12	Pin Cotter 1/8 X 3/4 Cad	78	532 12 17-48	Washer 25/32 X 1-5/8 X 16 Ga
28	532 14 52-04	Rod Brake Parking LT/YT	79	532 12 50-96	Key Woodruff #9 3/16 x 3/4
29	532 07 16-73	Cap Brake Parking Black	80	532 13 14-86	Arm Shift
30	532 13 08-07	Bracket Mtg Transaxle	81	532 15 60-43	Shaft Asm Cross 20"t
31	532 12 72-75	Keeper Belt LH LT 14 Ga	82	532 12 37-82	Spring Torsion T/a
32	874 76 05-12	Bolt Hex Hd 5/16-18unc X 3/4	83	819 17 12-16	Washer 17/32 X 3/4 X 16 Ga
34	532 15 50-71	Shaft Asm Pedal Foot	84	532 12 37-93	Rod Shift
35	532 12 01-83	Bearing Nylon Blk 629 Id	85	532 15 03-60	Nut Lock Center 1/4 - 28 FNGTHD
36	819 21 16-16	Washer 21/32 X 1 X 16 Ga	86	532 07 12-08	Bushing Rod Strg 629/632 Id
37	532 12 49-63	Pin Roll 3/16 X 1"	87	819 21 20-16	Washer 21/32 X 1-1/4 X 16 Ga
38	532 12 36-74	Pulley Idler Flat	88	812 00 00-08	Ring Klip #5304-62
39	874 76 06-44	Bolt Fin Hex 3/8-16unc X 2-3/4	89	532 15 48-86	Console Shift STLT
40	532 12 49-65	Spacer Split 395 X 59 Bzp	90	532 12 43-46	Nut Self-thd Wsh-hd 1/4 Zinc
41	532 15 47-77	Keeper Belt Retainer Idler Foolproof	96	532 12 47-88	Retainer Spring 1"
42	819 13 13-12	Washer 13/32 X 13/16 X 12 Ga	112	819 09 12-10	Washer 9/32 x 3/4 x 10 Ga.
47	532 12 77-83	Pulley Idler V Groove Plastic	113	532 12 72-85	Strap Torque LT
48	532 15 46-04	Bellcrank Asm	116	872 11 06-10	Bolt Rdhd Sq Neck 3/8-16 x 1.25
49	532 12 32-05	Retainer Belt Style Spring	118	532 15 47-74	Spacer Bellcrank
50	874 76 06-24	Bolt Hex Hd 3/8-16unc X 1-1/2	121	532 15 44-19	Nyliner Clutching STL

**NOTE:** All component dimensions given in U.S. inches  
1 inch = 25.4 mm



**TRACTOR - MODEL NO. LT130 (954140004A), PRODUCT NO. 954 1400-04**

**STEERING ASSEMBLY**



**TRACTOR - MODEL NO. LT130 (954140004A), PRODUCT NO. 954 1400-04**

**STEERING ASSEMBLY**

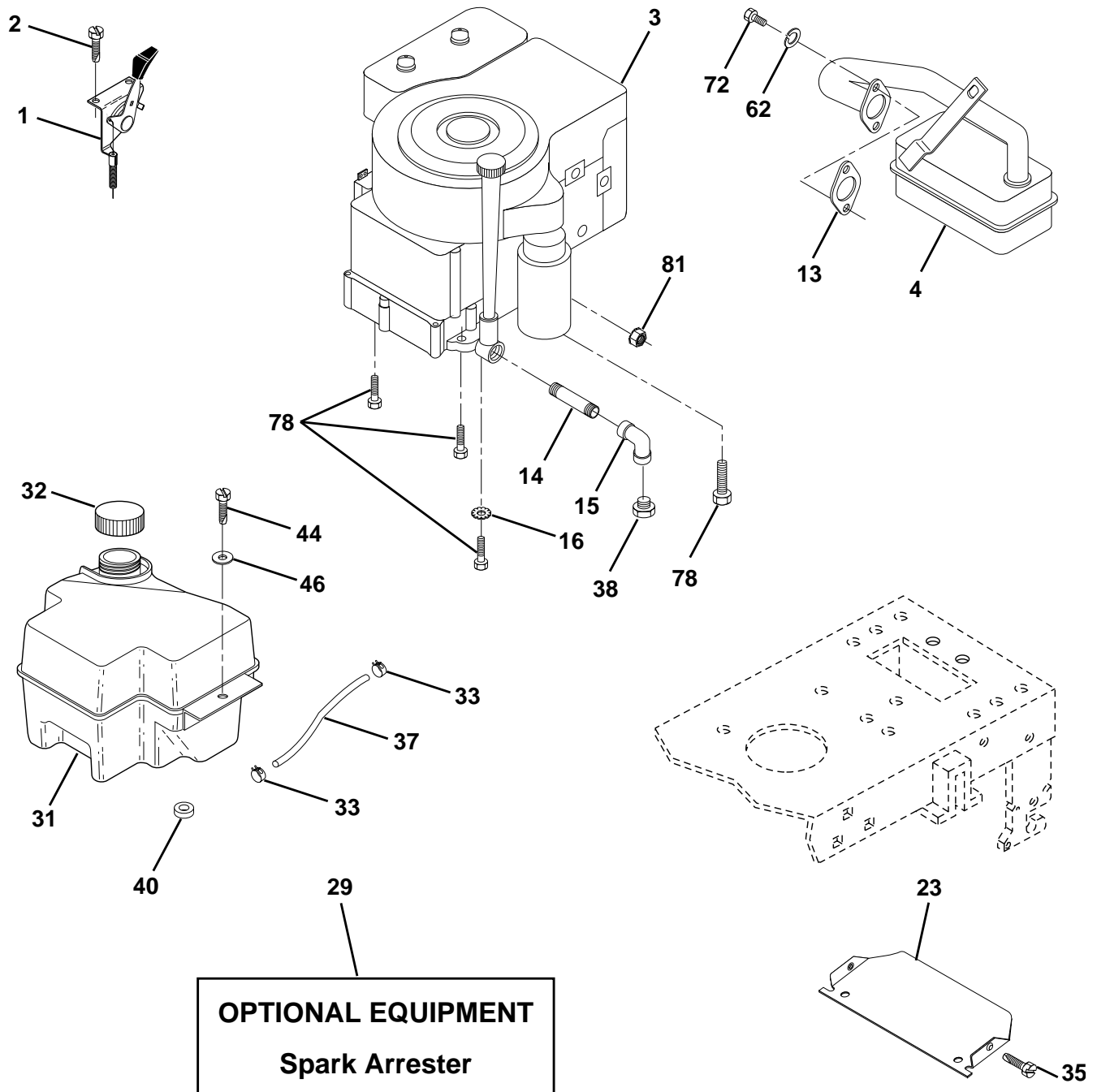
<b>KEY NO.</b>	<b>PART NO.</b>	<b>DESCRIPTION</b>
1	532 12 44-15	Wheel Steering
2	532 15 44-27	Axle Asm STMP Dropped STL
3	532 15 44-22	Spindle Asm LH
4	532 15 44-23	Spindle Asm RH
5	532 12 49-31	Bearing Race Thrust Harden
6	532 12 17-48	Washer 25/32 X 1-5/8 X 16 Ga
7	819 27 20-16	Washer 27/32 X 1-1/4 X 16 Ga
8	812 00 00-29	Ring Klip #t5304-75
9	532 12 49-37	Bearing Col Strg Blk
10	532 15 64-38	Link Drag Extended Stamp
11	810 04 06-00	Washer Lock Hvy Hlcl Spr 3/8
13	532 15 47-79	Bearing Axle STLT/GT
15	873 90 10-00	Nut Lock Flange 5/8-11 Unc
17	532 15 65-46	Shaft Asm Strg
18	532 05 70-79	Washer Thrust 515x 750x 033
19	532 12 40-35	Support Shaft
20	532 12 66-84	Washer Shim 1/4 X 5/8 X 062
21	810 04 04-00	Washer Lock Hvy Helical 1/4
22	871 10 04-10	Screw Cap Sckt Hd Phos & Oil
23	532 12 75-01	Shaft Asm Pittman
25	532 15 44-06	Bracket Steering
26	532 12 68-47	Bushing Link Drag Blk LR
27	532 13 68-74	Gear Sector
28	819 13 14-16	Washer 13/32 X 7/8 X 16 Ga
29	817 49 06-12	Screw Thdrol 3/8-16x3/4 Ty-tt
30	876 02 04-12	Pin Cotter 1/8 X 3/4 Cad
32	532 13 04-65	Rod Tie Wire Form 19 75 Mech
36	532 15 50-99	Bushing Strg
37	532 15 29-27	Screw
38	532 12 44-16	Insert Cap Strg Wh Au
39	819 13 38-08	Washer 13/32 X 2-3/8 X 8 Ga
40	532 12 47-01	Lock nut
41	532 10 07-11	Adaptor Wheel Strg
42	532 15 50-92	Boot Steering Shaft
43	532 12 17-49	Washer 25/32 X 1 1/4 X 16 Ga
44	532 15 37-20	Extension Steering Shaft LR/LT
46	532 12 12-32	Cap Spindle Fr Top Blk
47	532 12 48-36	Fitting Grease
51	873 80 05-00	Nut Lock Hex w/Ins 5/16-18
54	874 78 05-20	Bolt Fin Hex 5/16-18 Unc x 1-1/4
62	532 15 65-94	Kit, Steering Assembly Svc
63	874 78 06-16	Bolt Fin Hex 3/8-16unc x 1 Gr. 5
65	532 15 47-80	Spacer Axle
66	532 15 44-04	Bearing Arm Pittman
67	874 78 10-44	Bolt, Fin Hex 5/8-11 UNC x 2-3/4
68	532 15 44-29	Axle, Brace

**NOTE:** All component dimensions given in U.S. inches.  
1 inch = 25.4 mm.

# For Husqvarna Parts Call 606-678-9623 or 606-561-4983 REPAIR PARTS

TRACTOR - MODEL NO. LT130 (954140004A), PRODUCT NO. 954 1400-04

ENGINE



# For Husqvarna Parts Call 606-678-9623 or 606-561-4983 REPAIR PARTS

TRACTOR - MODEL NO. LT130 (954140004A), PRODUCT NO. 954 1400-04

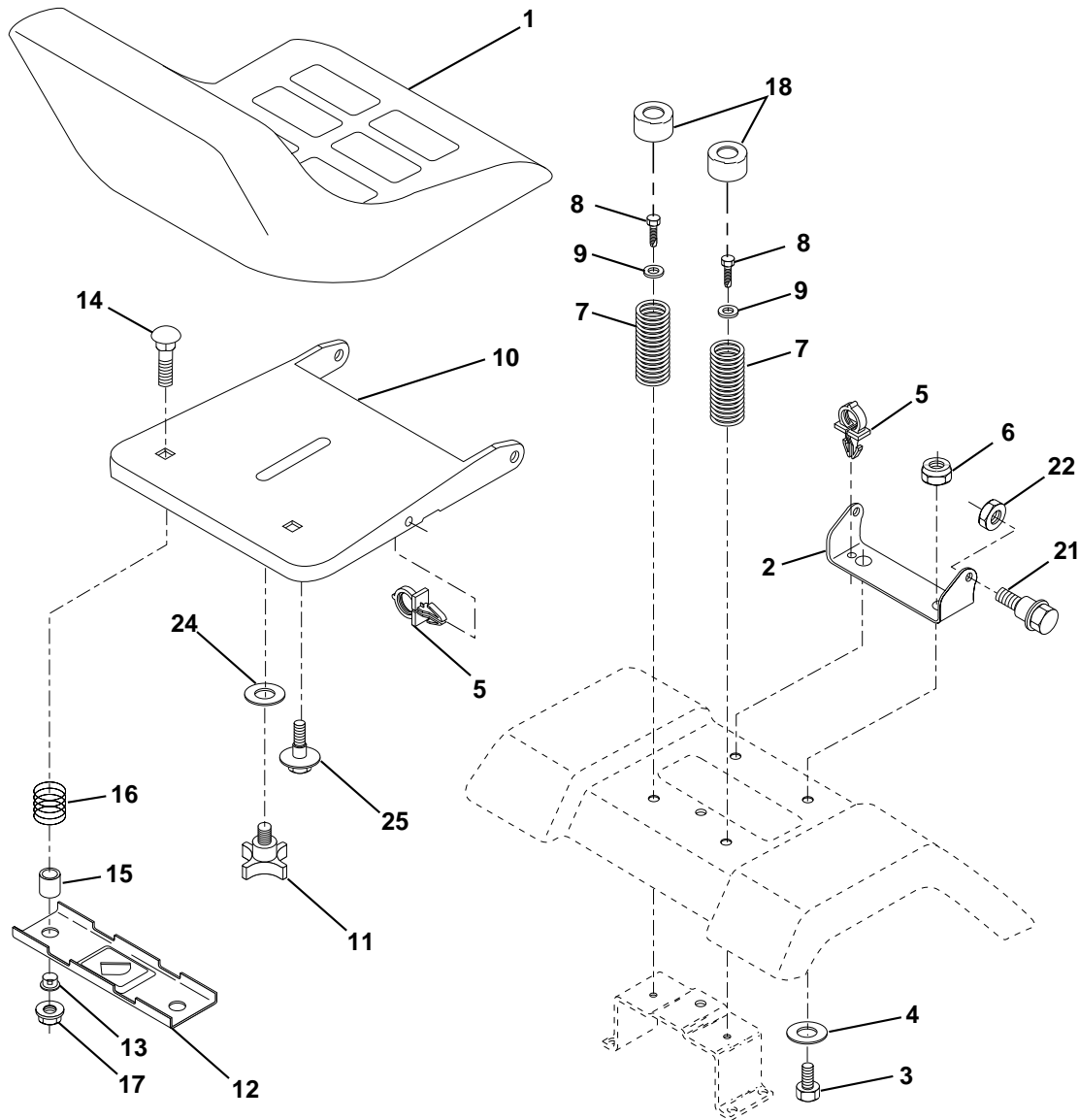
## ENGINE

KEY NO.	PART NO.	DESCRIPTION
1	532 14 03-10	Control Th/ch 23 5 LH Flag
2	817 72 04-10	Screw Hex Thd Cut 1/4-20x5/8 T
3	-----	Engine B&S Model No. 28M707
4	532 13 73-48	Muffler LT B&S 12/12.5/13HP
13	532 27 22-93	Gasket Eng 1 313 Id Tin Plated
14	813 28 03-24	Nipple Pipe 3/8 Npt X 3"
15	813 20 03-00	Elbow Std 90 Degree 3/8-18 Npt
16	811 05 06-00	Washer Lock Ext Tooth 3/8
23	532 15 61-23	Shield Heat
29	532 13 71-80	Kit Spark Arrestor (Flat Scrn)
31	532 14 02-80	Tank Fuel Front 2 00
32	532 14 05-27	Cap Asm Fuel W/sym Vented
33	532 12 34-87	Clamp Hose Black
35	817 49 05-12	Screw
37	532 13 70-40	Line Fuel 20"
38	-----	Plug Oil Drain (Order From Engine Manufacturer)
40	532 12 40-28	Bushing Snap Nyl Blk Fuel Line
44	817 49 04-12	Screw Hexwsh Thdrol 1/4-20x3/4
46	819 09 14-16	Washer 9/32 X 7/8 X 16 Ga
62	810 04 05-00	Washer Lock Hvy Hlcl Spr 5/16
72	871 07 05-12	Screw Hexhd Cap 5/16-18x 3/4
78	817 49 06-20	Screw Thdrol 3/8-16x1-1/4 TYTT
81	532 12 88-61	Nut Flange 1/4-20 Starter Nut

**NOTE:** All component dimensions given in U.S. inches  
1 inch = 25.4 mm

TRACTOR - MODEL NO. LT130 (954140004A), PRODUCT NO. 954 1400-04

**SEAT ASSEMBLY**



**KEY PART  
NO. NO.**

**DESCRIPTION**

1	532 14 08-38	Seat
2	532 14 05-51	Bracket Pivot Seat 8 720
3	874 76 06-16	Bolt Fin Hex 3/8-16unc X 1
4	819 13 16-10	Washer 13/32 X 1 X 10 Ga
5	532 14 50-06	Clip Push-In
6	873 80 06-00	Nut Hex w/Ins. 3/8-16 Unc
7	532 12 41-81	Spring Seat Cprsn 2 250 Blk Zi
8	817 49 06-16	Screw Thdrol 3/8-16 X 1 Ty-tt
9	819 13 16-14	Washer 13/32 X 1 X 14 Ga.
10	532 15 59-25	Pan Seat
11	532 12 00-68	Knob Seat 1/2-13 UNC Blk
12	532 12 12-46	Bracket Mounting Switch

**KEY PART  
NO. NO.**

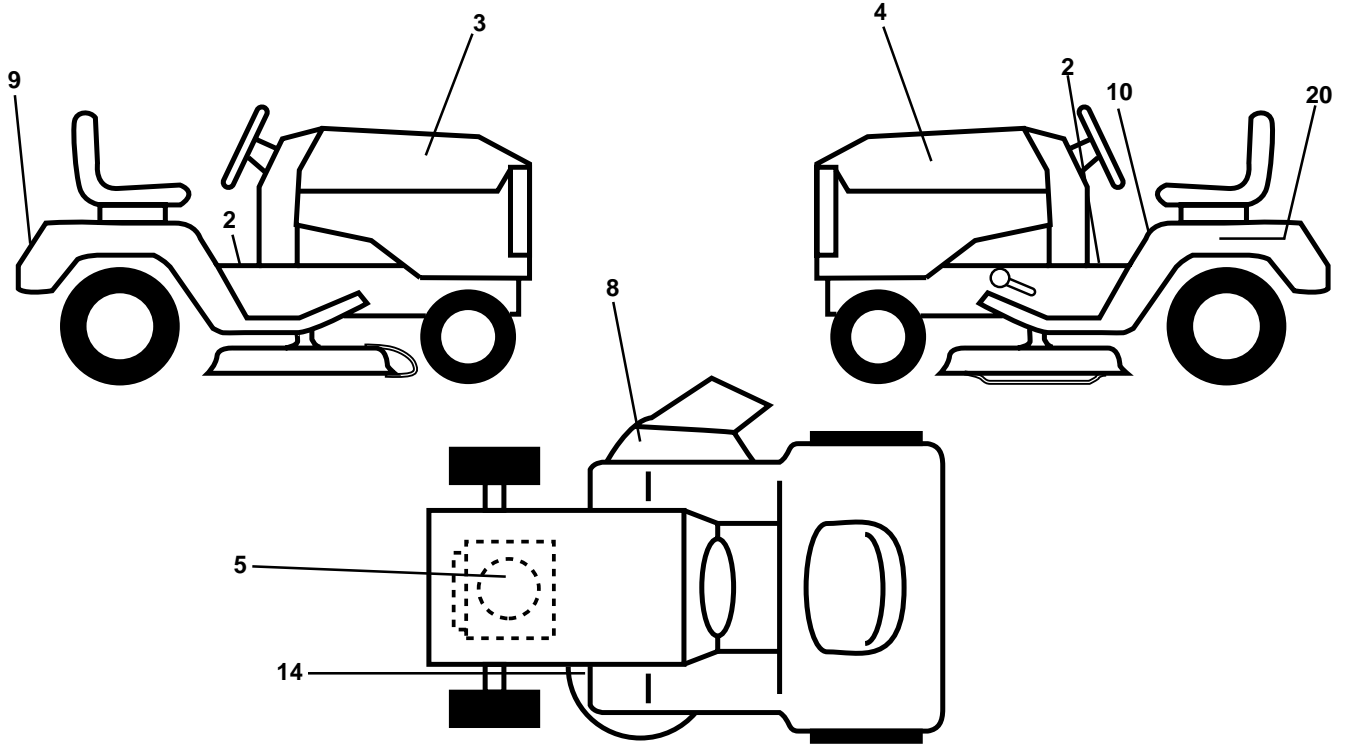
**DESCRIPTION**

13	532 12 12-48	Bushing Snap Blk Nyl 50 Id
14	872 05 04-11	Bolt Rdhd Sqnk 1/4-20x1-3/8
15	532 13 43-00	Spacer Split 28x 96 Yel Zinc
16	532 12 12-50	Spring Cprsn 1 27 Blk Pnt
17	532 12 39-76	Nut Lock 1/4 Lge Flg Gr 5 Zinc
18	532 12 42-38	Cap Spring Seat Blk
21	532 15 32-36	Bolt Shoulder 5/16-18 Unc
22	873 80 05-00	Nut Hex Lock W/Ins 5/16-18
24	819 17 19-12	Washer 17/32 X 1-3/16 X 12 Ga.
25	532 12 70-18	Bolt Shoulder 5/16-18 X 62

**NOTE:** All component dimensions given in U.S. inches.  
1 inch = 25.4 mm

TRACTOR - MODEL NO. LT130 (954140004A), PRODUCT NO. 954 1400-04

**DECALS**



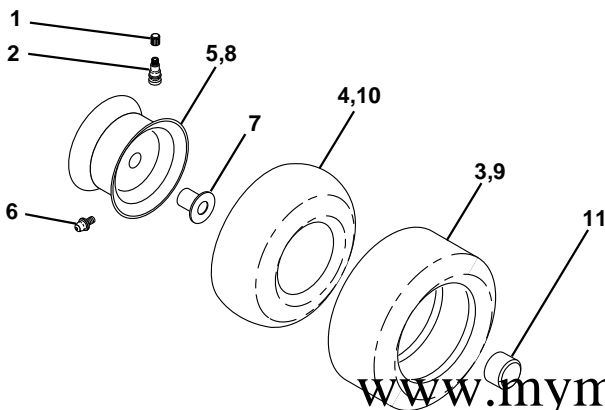
KEY NO.	PART NO.	DESCRIPTION
2	532 15 63-69	Decal Fender STLT Oper. Inst. English/French
3	532 15 07-24	Decal Hood LH
4	532 15 07-23	Decal Hood RH
5	532 27 32-12	Decal HP Engine
8	532 13 72-59	Decal Warning Multi-Language
9	532 15 06-17	Decal Fender Husq
10	532 15 71-40	Decal Fender Danger Eng/Fr.
14	532 13 68-32	Decal V-Belt Schematic
20	532 14 64-51	Decal Bat Dan/Psn
--	532 15 45-15	Pad Footrest LH STLT
--	532 15 45-16	Pad Footrest RH STLT

KEY NO.	PART NO.	DESCRIPTION
--	532 13 83-11	Decal Handle Lft Height Adjust
--	532 15 71-90	Manual Owner's (English)
--	532 15 71-92	Manual Owner's (French)

Available accessories not included with tractor:

--	LSB42	42" Snow Blade
--	C42	Grass Catcher
--	LC05	Wheel Weights
--	CH12	Tire Chains
--	LBD48	48" Snow Blade
--	MP42	Mulch Plate

**WHEELS & TIRES**

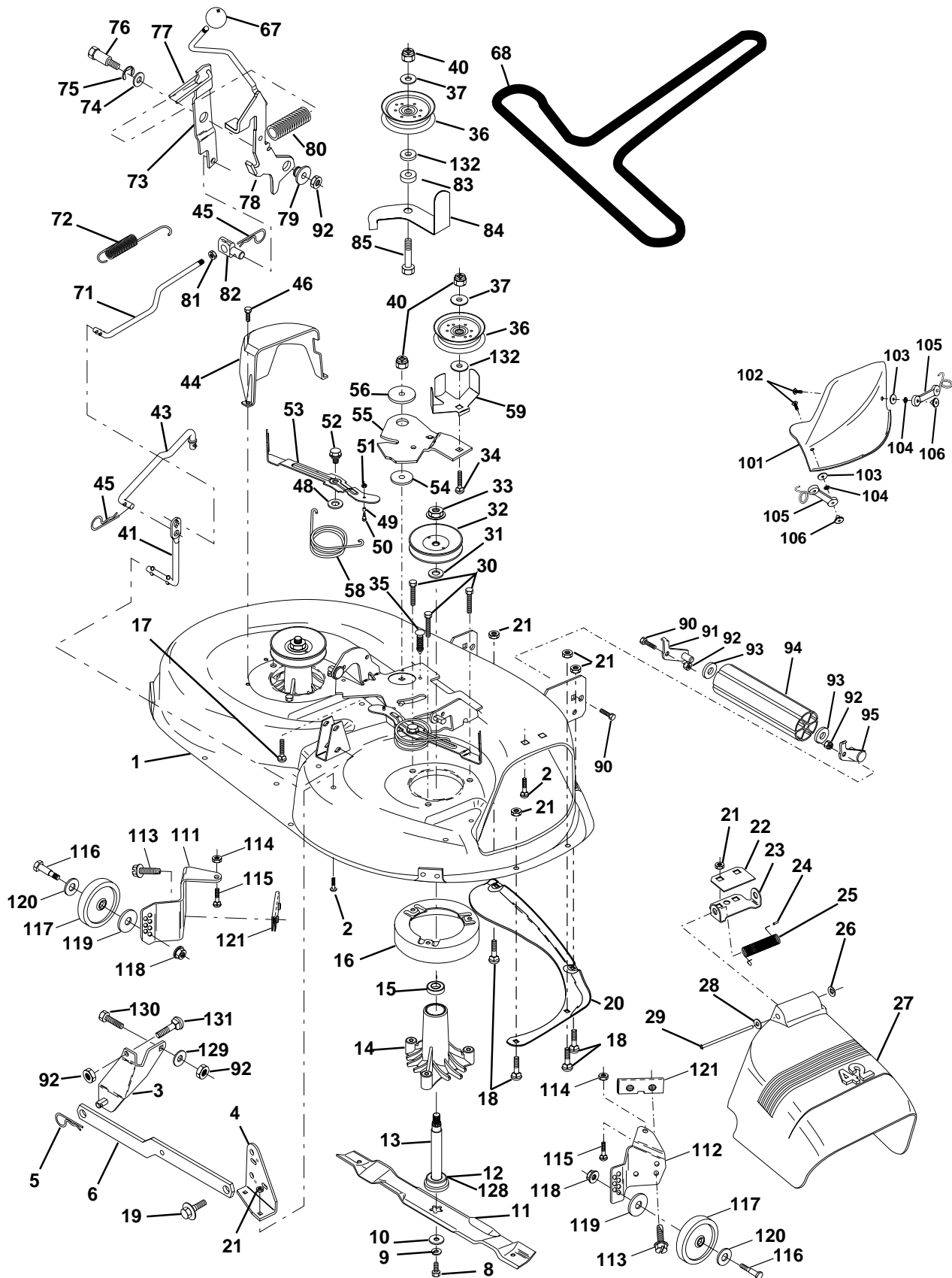


KEY NO.	PART NO.	DESCRIPTION
1	532 05 91-92	Cap Valve Tire
2	532 06 51-39	Stem Valve
3	532 10 62-22	Tire F Ts 15 X 6 0 - 6 Service
4	532 05 99-04	Tube Front (Service Item Only)
5	532 13 83-36	Rim Asm 6"front Silver Service
6	532 12 49-57	Fitting Grease (Front Wheel Only)
7	532 12 49-59	Bearing Flange (Front Wheel Only)
8	532 13 83-37	Rim Asm 8"rear Silver Service
9	532 12 46-35	Tire R Ts 18x8 5-8 C Service
10	532 12 49-26	Tube Rear (Service Item Only)
11	532 10 47-57	Cap Axle Blk 1 50 X 1 00
--	532 14 43-34	Sealant, Tire ( 10 oz. Tube)

**NOTE:** All component dimensions given in U.S. inches  
 1/4 inch = 25.4 mm

**TRACTOR - MODEL NO. LT130 (954140004A), PRODUCT NO. 954 1400-04**

**MOWER DECK**



TRACTOR - MODEL NO. LT130 (954140004A), PRODUCT NO. 954 1400-04

### MOWER DECK

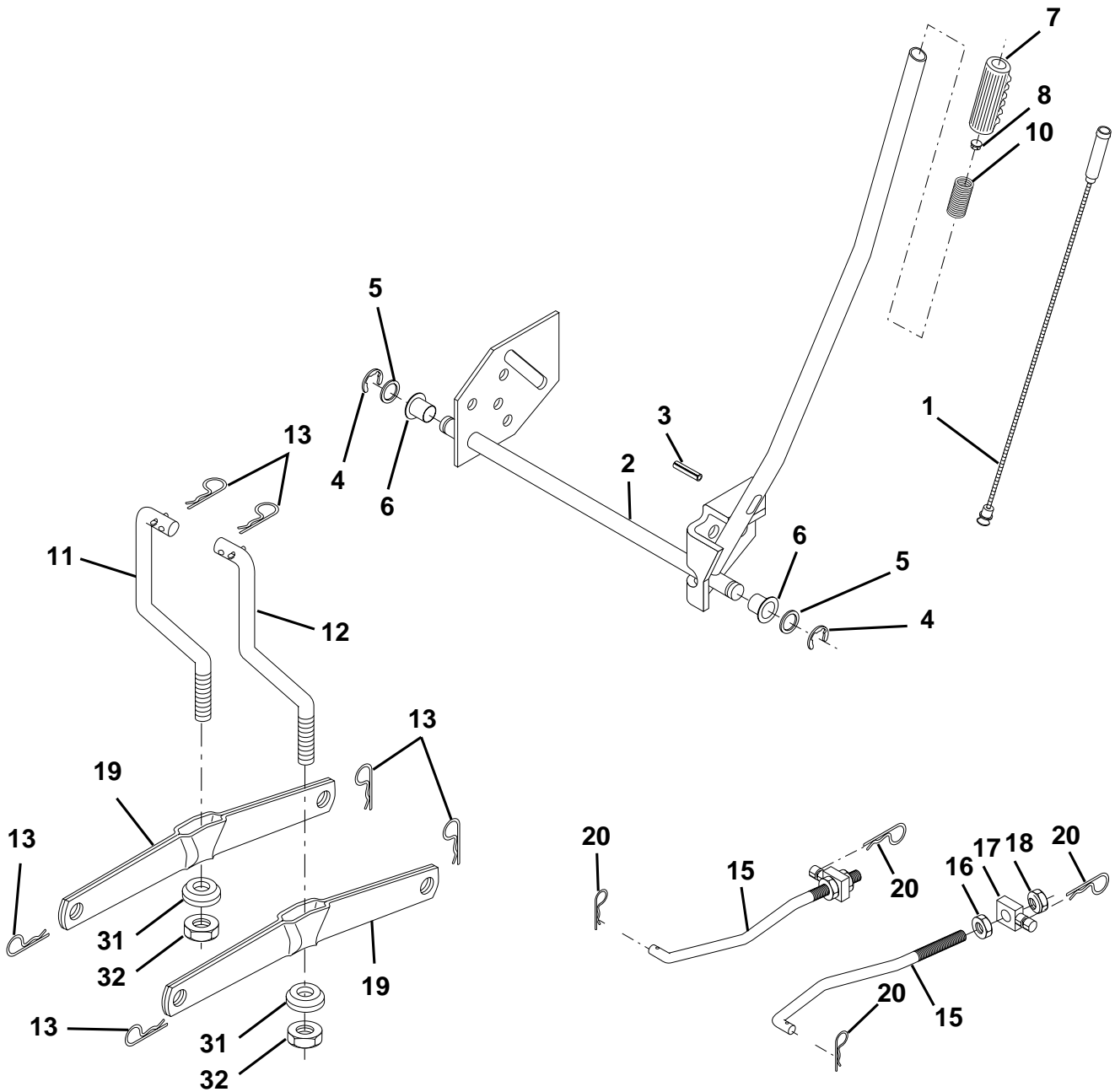
KEY NO.	PART NO.	DESCRIPTION	KEY NO.	PART NO.	DESCRIPTION
1	532 14 43-93	Deck Asm MWR 42"weldment	67	532 10 69-33	Knob Rd 1/2-13 Plstc Thds Blk
2	872 14 05-06	Bolt Rdhd Sqnk 5/16-18unc X3/4	68	532 14 42-00	V-Belt Mower 42"
3	532 13 80-17	Bracket Asm Fr Sway Bar 38/42	71	532 14 24-27	Rod Clutch Primary 38/42
4	532 13 84-40	Bracket Asm Deck 42"sway Bar	72	532 13 18-70	Spring Return
5	532 12 46-70	Retainer Spring	73	532 12 78-47	Arm Clutch Secondary
6	532 13 08-32	Arm Suspension Rear	74	532 12 17-48	Washer 25/32 X 1-5/8 X 16 Ga
8	532 85 08-57	Bolt 3/8 - 24 X 1.25 Gr 8	75	812 00 00-29	Ring Klip #t5304-75
9	810 03 06-00	Washer Lock Hvy 3/8	76	532 12 89-03	Bolt Shoulder 3/8-16 Unc 1 44
10	532 14 02-96	Washer Hard Blade Mower Vented	77	532 12 78-45	Keeper Spring 4 000
11	532 13 41-49	Blade Mower Mulching 42"	78	532 15 48-09	Arm Asm Clutch Primary
12	532 12 98-95	Bearing Ball #6024 (Mandrel)	79	532 12 74-98	Bushing 747 Od X 794 Lg Brass
13	532 13 76-45	Shaft Asm W/lower Bearing	80	532 15 37-01	Spring Clutch Mower
14	532 12 87-74	Housing Mandrel Vented	81	873 35 06-00	Nut Hex Jam 3/8-16
15	532 11 04-85	Bearing Ball Mandrel	82	532 14 20-28	Trunnion Adj 94
16	532 14 03-29	Stripper Mower Vented	83	532 12 09-58	Washer Sintered
17	872 11 06-10	Bolt Rdhd Sqnk 3/8-16 X 1-1/4	84	532 14 43-94	Keeper Belt Idler Fixed
18	872 14 05-05	Bolt Rdhd Sqnk 5/16-18 X 5/8	85	872 14 06-18	Bolt Carriage 3/8-16 x 2-1/4 Gr.5
19	532 13 28-27	Bolt Shoulder	90	874 76 06-16	Bolt Fin Hex 3/8-16 UNC x 1
20	532 13 68-88	Baffle Vortex 42	91	532 13 22-74	Bracket Asm Noseroller LH
21	873 68 05-00	Nut Crownlock 5/16-18 UNC	92	873 80 06-00	Nut Lock Hex W/Ins 3/8-16 Unc
22	532 13 47-53	Stiffener Bracket 42"deck	93	819 17 14-16	Washer 17/32 x 7/8 x 16 Ga.
23	532 13 12-67	Bracket Deflector Mower 42"	94	532 13 22-64	Roller Nose 38 & 42
24	532 10 53-04	Cap Sleeve 80x 112 Blk Mower	95	532 13 22-73	Bracket Asm Noseroller RH
25	532 12 37-13	Spring Torsion Deflector 2 52	101	532 13 64-20	Cover Mulching 42" Black
26	532 11 04-52	Nut Push Phos & Oil	102	871 16 10-10	Screw
27	532 13 09-68	Shield Deflector Mower 42" Blk	103	819 06 12-16	Washer #10
28	819 11 10-16	Washer 11/32 X 5/8 X 16 Ga	104	810 07 10-00	Washer Lock #10
29	532 13 14-91	Rod Hinge 42"6 75 Wlg	105	532 13 07-58	Latch Asm Bagger
30	532 13 87-76	Screw Thdrol Hex Head Zinc Mwr	106	532 12 50-04	Nut Weld
31	532 12 99-63	Washer Spacer Mower Vented	111	532 15 51-97	Bracket Wheel Gauge LH 42" Deck
32	532 15 35-35	Pulley Mandrel 42"	112	532 15 51-98	Bracket Gauge Wheel RH 42" Deck
33	532 13 72-66	Nut 9/16 Toplock Fling Oil Dip	113	817 49 05-12	Screw Thdrol 5/16-18 X 3/4
34	872 11 06-14	Bolt Rdhd 3/8-16uncx1-3/4 Gr5	114	873 51 05-00	Nut Keps 5/16-18 UNC
35	532 13 38-35	Fastner Christmas Tree	115	872 11 05-04	Bolt Carriage 5/16-UNC x 1/2
36	532 13 14-94	Pulley Idler Flat 3 060	116	532 12 48-42	Bolt Shoulder "A" 2.41 "B" 1.66
37	819 13 13-16	Washer 13/32 X 13/16 X 16	117	532 10 54-55	Wheel Guage Blk 4.93
40	873 68 06-00	Nut Crownlock 3/8-16 UNC	118	873 93 06-00	Nut Centerlock 3/8-16 UNC
41	532 13 35-51	Rod Pivot W/nibs	119	819 12 14-14	Washer 3/8 x 7/8 x 14 Ga.
43	532 14 00-83	Rod Clutch Secondary W/nibs	120	819 17 15-12	Washer 17/32 x 15/16 x 12 Ga.
44	532 14 00-88	Guard Mandrel LH Black	121	532 14 37-23	Bracket Extruded Guage Wheel
45	532 12 47-88	Spring Retainer 1" Zinc/cad	128	532 15 33-90	Washer Felt
46	532 13 77-29	Screw Hex Thd Cut 1/4-20x5/8 T	129	819 13 13-12	Washer 13/32 x 13/16 x 12 Ga.
48	532 13 39-44	Washer Hardened Smaller	130	874 78 06-16	Bolt Fin Hex 3/8-16 UNC x 1 Gr. 5
49	532 15 50-66	Roller Asm Cam Follower 42"dec	131	872 14 06-08	Bolt Rdhd Sqnk 3/8-16 x 1
50	532 13 13-40	Bolt Shldr 10-24 Zinc Gr 5 42"	--	532 13 07-94	Mandrel Asm Service (Includes Key Nos. 8-10, 12-15, 31 and 33)
51	532 06 91-80	Nut Lock #10-24 Unc	--	532 14 54-11	Deck Serv 42"mch S Bar Mult-Lang (Standard Deck - Order noseroller, mulch cover and gauge wheel components separately Key Nos. 90-95, 101-106 and 111-120)
52	532 13 98-88	Bolt Shoulder 5/16-18 Unc Blkz			
53	532 15 73-88	Arm Asm Pad Brake			
54	532 13 39-43	Washer Hardened			
55	532 15 50-46	Arm Idler 42"mower LT/YT			
56	532 12 20-52	Spacer Retainer Pm Mower			
58	532 14 00-86	Spring Torsion Brakes			
59	532 14 10-43	Guard TUV Idler			

**NOTE:** All component dimensions given in U.S. inches  
1 inch = 25.4 mm



TRACTOR - MODEL NO. LT130 (954140004A), PRODUCT NO. 954 1400-04

**MOWER LIFT**



# For Husqvarna Parts Call 606-678-9623 or 606-561-4983 REPAIR PARTS

TRACTOR - MODEL NO. LT130 (954140004A), PRODUCT NO. 954 1400-04

## MOWER LIFT

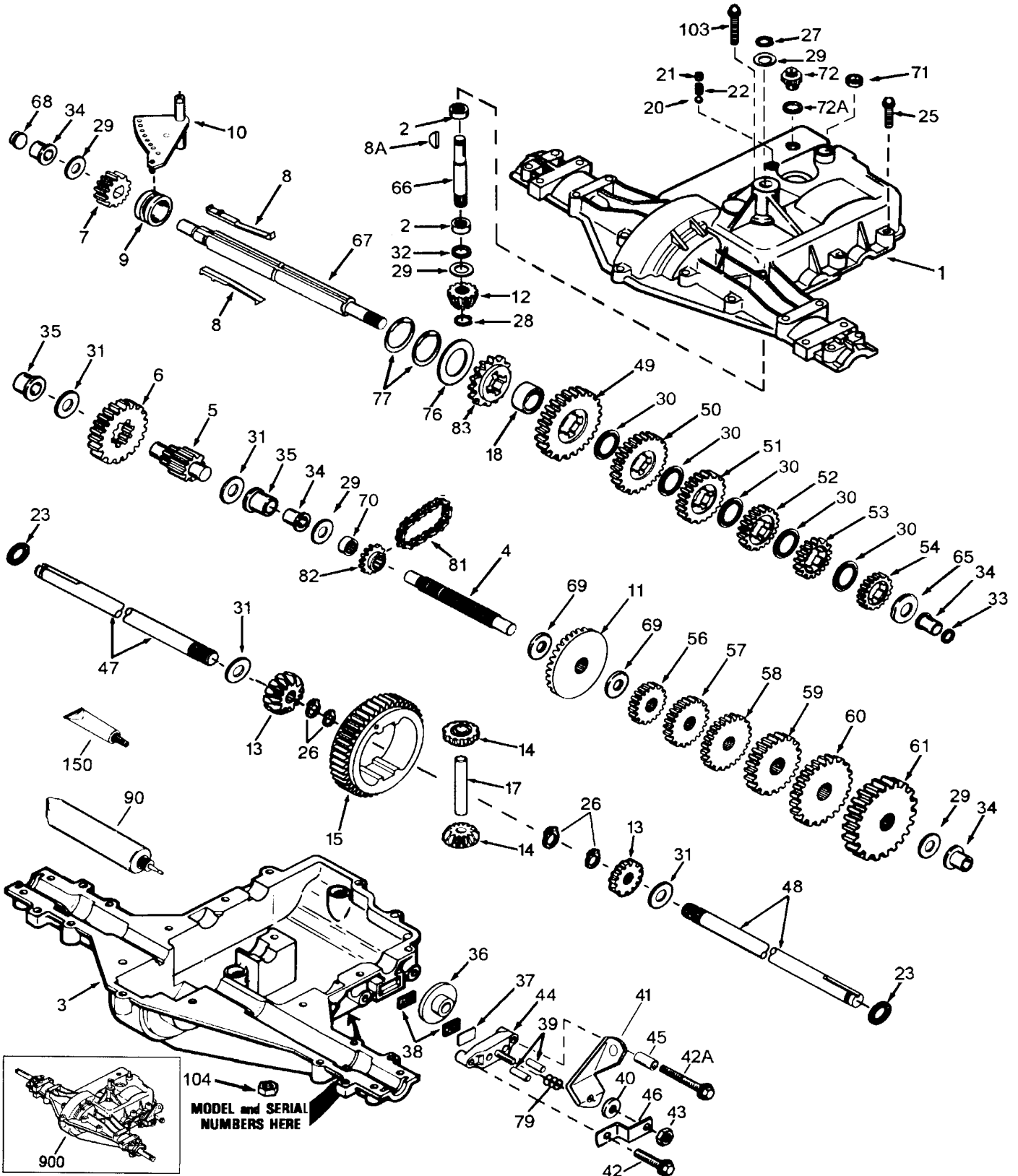
KEY NO.	PART NO.	DESCRIPTION
1	532 13 69-73	Wire Asm Inner W/plunger 17 32
2	532 14 51-17	Shaft Asm Lift
3	532 10 57-67	Pin Groove
4	812 00 00-02	E Ring #5133-62
5	819 21 16-21	Washer PLTD 21/32 X 1 X 21ga
6	532 12 01-83	Bearing Nylon Blk 629 Id
7	532 10 94-13	Grip Handle Bicycle
8	532 12 45-26	Button Plunger Black
10	532 12 25-12	Spring Cprsn 3 750 Oiled
11	532 13 98-65	Link Lift LH
12	532 13 98-66	Link Lift RH
13	532 12 46-70	Retainer Spring
15	532 12 72-18	Link Front
16	873 35 08-00	Nut Jam Hex 1/2-13 Unc
17	532 13 01-71	Trunnion Blk Zinc
18	873 80 08-00	Nut Lock W/wsh 1/2-13unc
19	532 13 98-68	Arm Suspension Rear
20	532 12 46-60	Spring, Retainer
31	532 14 03-02	Bearing Pvt. Lift Spherical
32	873 54 06-00	Nut Crownlock 3/8-24

**NOTE:** All component dimensions given in U.S. inches  
1 inch = 25.4 mm

# For Husqvarna Parts Call 606-678-9623 or 606-561-4983 REPAIR PARTS

TRACTOR - MODEL NO. LT130 (954140004A), PRODUCT NO. 954 1400-04

PEERLESS TRANSAXLE - MODEL NUMBER 930-055A



**TRACTOR - MODEL NO. LT130 (954140004A), PRODUCT NO. 954 1400-04**

**PEERLESS TRANSAXLE - MODEL NUMBER 930-055A**

REF PART NO. NO.	DESCRIPTION	REF PART NO. NO.	DESCRIPTION		
1	772108A	43	792075	Cover, Transaxle	Locknut 5/16-24
2	780086	44	790025	Bearing, Needle	Holder, Brake Pad
3	770102A	45	786066	Case, Transaxle	Spacer
4	776260	46	786086	Shaft, Counter	Bracket, Brake Lever
5	776219B	47	774690	Shaft and Pinion Assembly, Output	Axle 11-5/16" long
6	778139	48	774691	Gear, Output	Axle 16-1/2" long
7	778136	49	778215	Gear, Spur, 15 Teeth	Gear, Spur, 37 Teeth, Steel (1 <sup>st</sup> )
8	792136A	50	778125	Key, Shift	Gear, Spur, 35 Teeth (2 <sup>nd</sup> )
8A	792047	51	778124A	Key, Woodruff	Gear, Spur, 30 Teeth (3 <sup>rd</sup> )
9	784352	52	778123A	Collar, Shifter	Gear, Spur, 25 Teeth (4 <sup>th</sup> )
10	784355	53	778122A	Rod and Fork Assembly, Shift	Gear, Spur, 22 Teeth (5 <sup>th</sup> )
11	778229	54	778273	Gear, Bevel, 42 Teeth	Gear, Spur, 19 Teeth, Steel (6 <sup>th</sup> )
12	778113A	56	778230	Bevel Pinion, Input	Gear, Spur, 12 Teeth (1 <sup>st</sup> )
13	778221	57	778151	Gear, Bevel	Gear, Spur, 15 Teeth (2 <sup>nd</sup> )
14	778068	58	778126A	Gear, Bevel Pinion	Gear, Spur, 20 Teeth (3 <sup>rd</sup> )
15	778260	59	778127A	Gear, Ring	Gear, Spur, 25 Teeth (4 <sup>th</sup> )
17	786139	60	778128A	Pin, Drive	Gear, Spur, 28 Teeth (5 <sup>th</sup> )
18	786102	61	778163	Spacer, Neutral	Gear, Spur, 31 Teeth (6 <sup>th</sup> )
20	792077	65	780109	Ball, Steel 5/16" diameter	Washer, Thrust
21	792078	66	776135	Set Screw 3/8-16 x 3/8	Shaft, Input
22	792079	67	776315A	Spring	Shaft, Brake, 4 Keyed
23	788061	68	786116A	Ring, Seal	Plug
25	792073	69	780051	Screw, Flanged Hex Head, Thread Forming 1/4-20 x 1-1/4	Washer, Thrust
26	792125	70	786118	Ring, Retainer	Spacer
27	792035	71	788069	Ring, Retainer	Seal, Square Cut
28	788040	72	792165	Ring, Retainer	Plug, Threaded 9/16-18
29	780072	72A	788091	Washer, Thrust	"O" Ring
30	780108	76	780090	Washer, Thrust	Washer, Thrust
31	780001	77	788078A	Washer, Thrust	Ring, Retaining, Inverted (Package of 2)
32	792001	79	792144	"O" Ring	Spring, Brake
33	788095	81	786081	Seal, Square Cut	Chain, Roller (Number 41 Chain, 24 Links)
34	780105A	82	786082	Bushing, Flanged	Sprocket, 9 Teeth (Reverse)
35	780118A	83	786123	Bushing, Flanged	Sprocket, 18 Teeth (Reverse)
36	790003	90	788067B	Disk, Brake	Grease, Bentonite, 32 Ounce Bottle
37	790007	103	792166	Plate, Brake Pad	Screw 1/4-20 x 2
38	799021	104	792167	Pad, Brake	Locknut 1/4-20
39	786026	150	510334	Pin, Dowel	Gasket Eliminator (Loctite #515)
40	792076A	900	794603	Washer, Flat	Replacement Transaxle
41	790079			Lever, Brake	
42	792073			Screw, Flanged Hex Head, Thread Forming 1/4-20 x 1-1/4	
42A	792085A			Screw 1/4-20 x 2-1/4	

**NOTE:** All component dimensions given in U.S. inches  
 1 inch = 25.4 mm

Parts must be ordered from Tecumseh Products Co.