

For Husqvarna Parts Call 606-678-9623 or 606-561-4983



**Illustrated Parts
List**

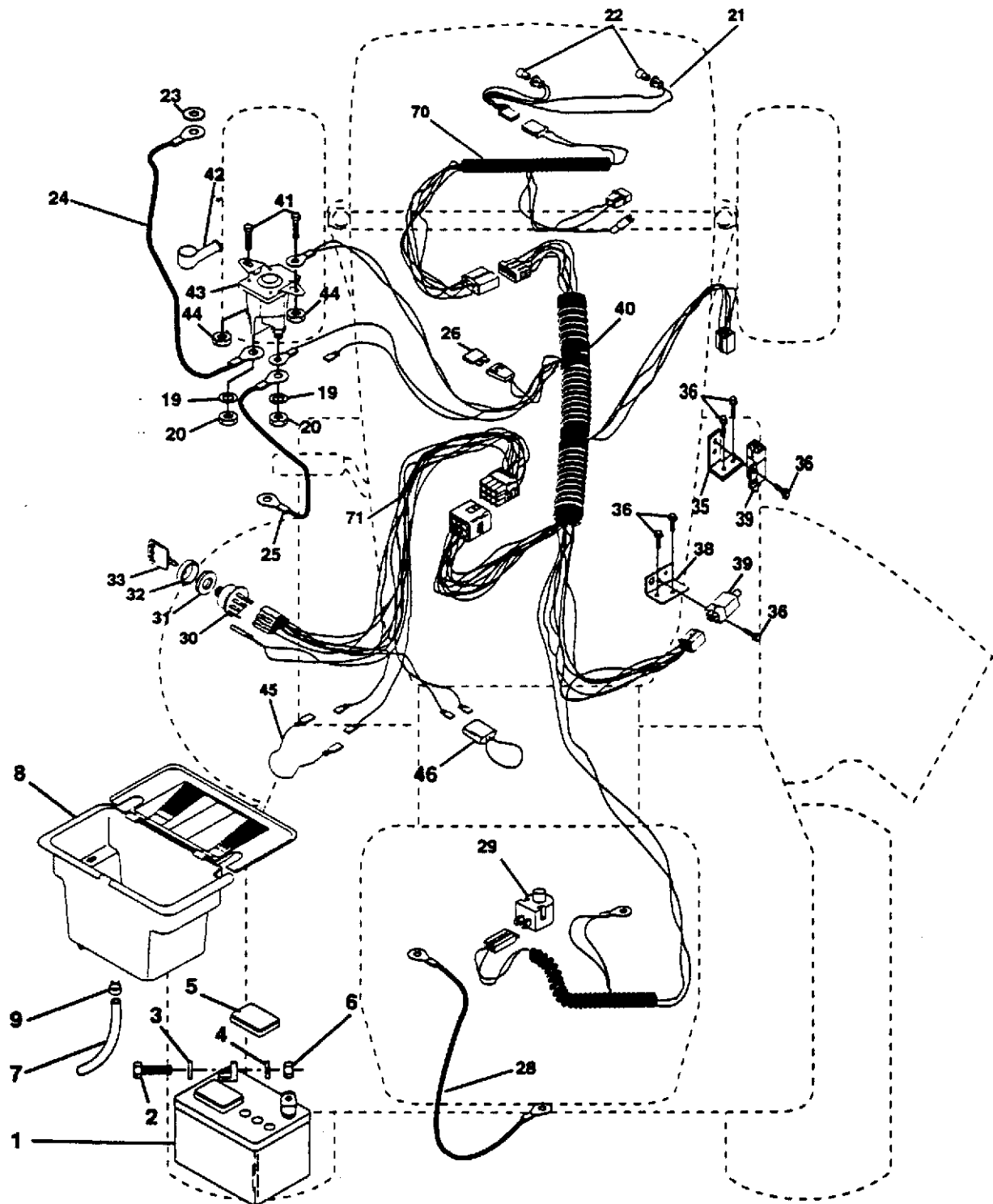
LT 125

HC12542B

954002711

TRACTOR - MODEL NO. LT125 (HC12542B) PRODUCT NO. 954 00 27-11

ELECTRICAL



For Husqvarna Parts Call 606-678-9623 or 606-561-4983

REPAIR PARTS

TRACTOR - MODEL NO. LT125 (HC12542B) PRODUCT NO. 954 00 27-11

ELECTRICAL

KEY NO.	PART NO.	DESCRIPTION
1	532121265	Battery 12 Volt 25 AMP
2	874760412	Bolt Hex Hd 1/4-20unc X 3/4
3	819091016	Washer 9/32 X 5/8 X 16 Ga.
4	810040400	Washer Lock Hvy Helical 1/4
5	532121264	Caps Battery 20/25/30 AMP
6	873220400	Nut Fin Hex 1/4-20 Unc
7	532109238	Tube Plastic 12"
8	532129965	Case Battery Hng Mech W/lid
9	532109596	Clamp Hose Olive
19	810090400	Washer Lock 1/4
20	873350400	Nut Jam Hex 1/4-20 Unc
21	532136850	Harness Asm Light W/4152j
22	532004152	Bulb Light #1156
23	811150400	Washer Lock Internal Tooth 1/4
24	532124780	Cable Battery 6 Ga 11" red
25	532132202	Cable Battery 6 Ga 43" red
26	532108824	Fuse 30 AMP Auto Green
28	532124773	Cable Ground 6 Ga 12" black
29	532121305	Switch Plunger Nc Gray
30	532140301	Switch Ign 4 pos w/lights
31	532124211	Nut Ignition
32	532141226	Cover Sw Ignition
33	532122147x	Key Ign Modded Generic
35	532108236	Bracket Switch Clutch
36	817021008	Screw Tap Hex #10-24unc X 1/2
38	532140336	Bracket, Switch, Interlock
39	532109553	Switch Intlk Clutch Red 4 Term
40	532140707	Harness Chassis LT PL Mech
41	871110408	Bolt Blk Fin Hex 1/4 - 20 x 1/2
42	532131563	Cover Terminal Red
43	532138406	Solenoid
44	873640400	Nut Keps Hex 1/4-20 Unc
45	532140844	Adapter Ammeter Rectangular
46	532141940	Protection Wire Loop
70	532141163	Harness, Eng.
71	532140710	Harness Dash Lt Private Lbl

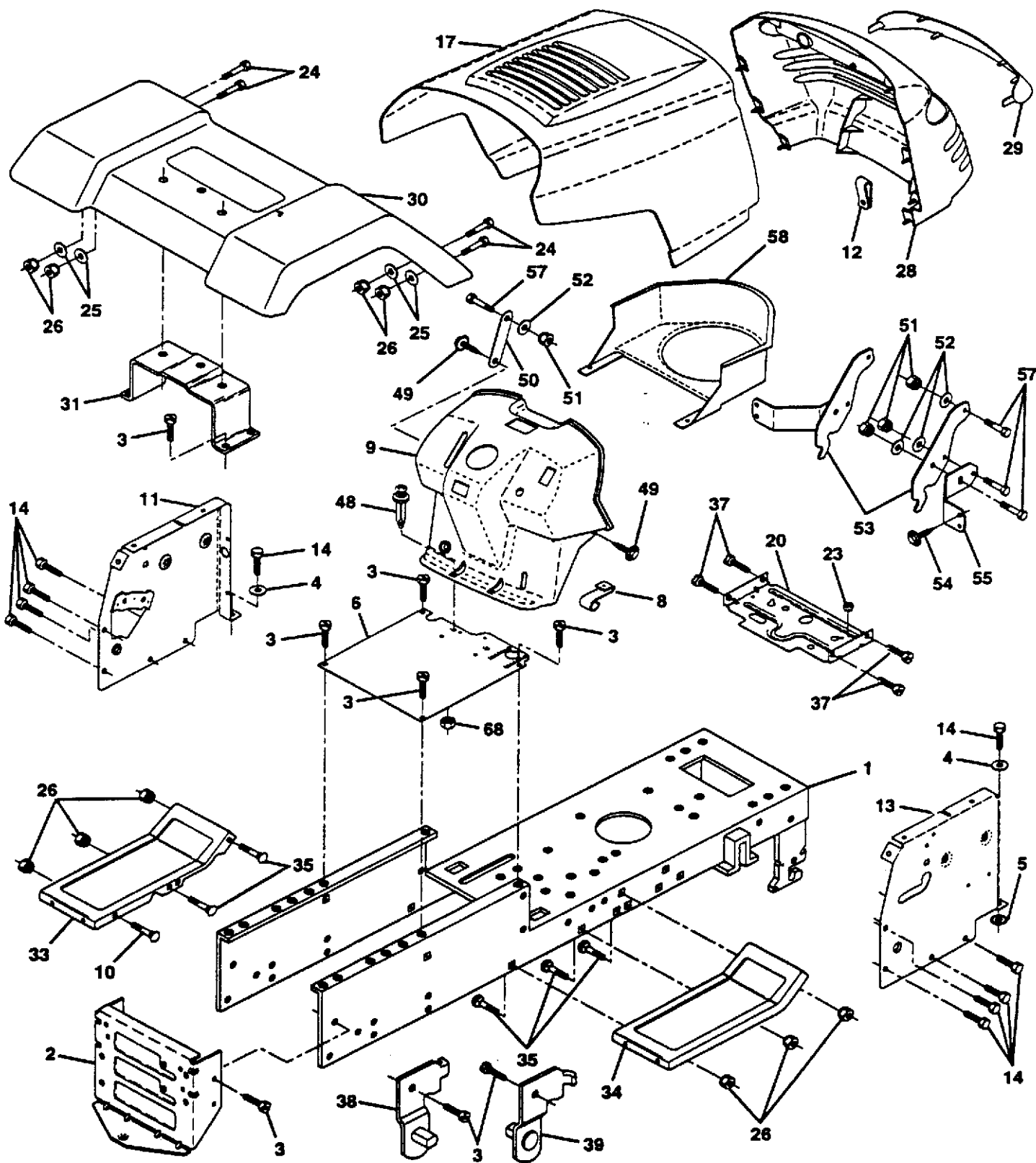
NOTE: All component dimensions given in U.S. inches.
1 inch = 25.4 mm.

For Husqvarna Parts Call 606-678-9623 or 606-561-4983

REPAIR PARTS

TRACTOR - MODEL NO. LT125 (HC12542B) PRODUCT NO. 954 00 27-11

CHASSIS AND ENCLOSURES



TRACTOR - MODEL NO. LT125 (HC12542B) PRODUCT NO. 954 00 27-11

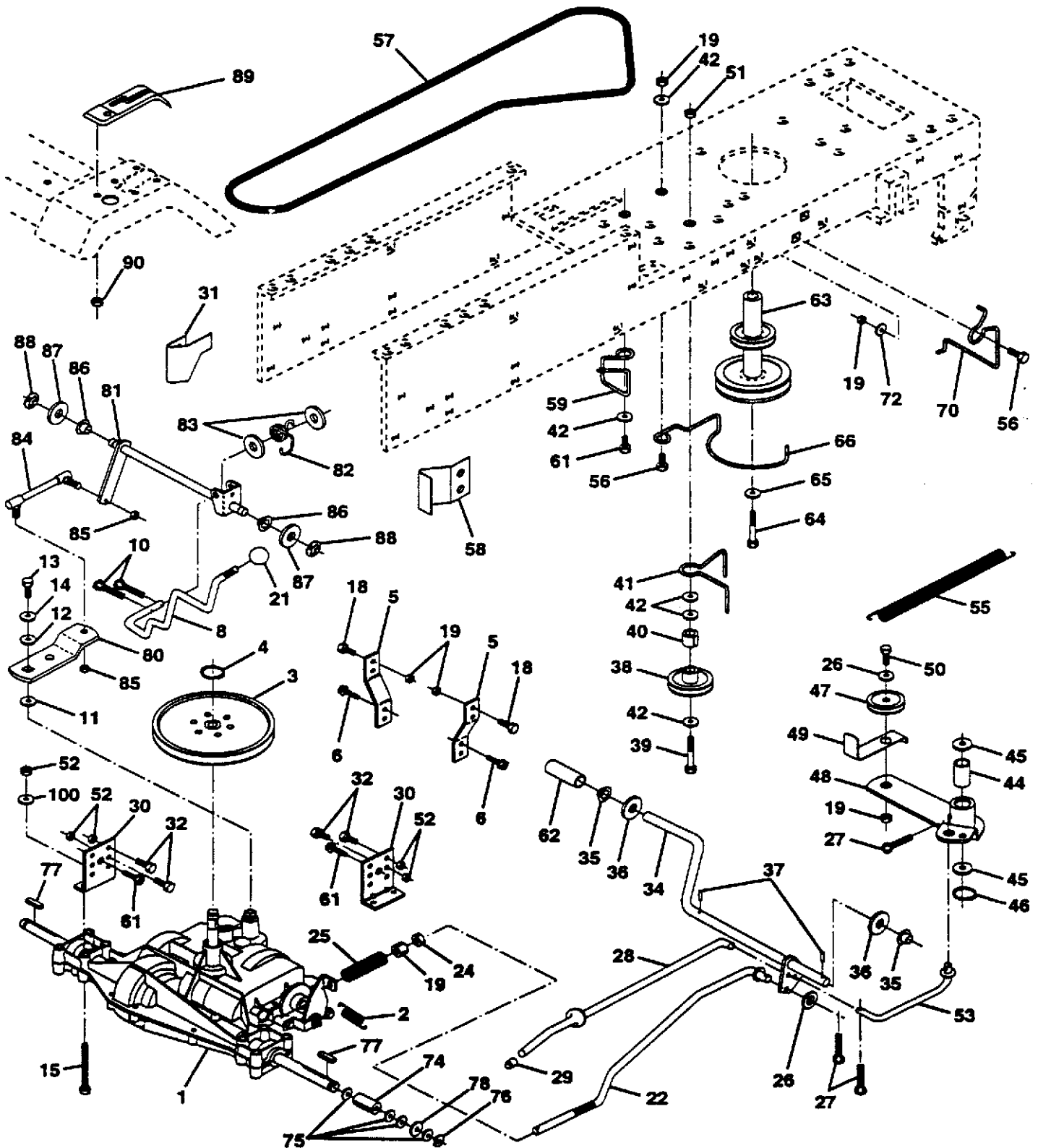
CHASSIS AND ENCLOSURES

KEY NO.	PART NO.	DESCRIPTION
1	532140341	Chassis Weldment 11ga
2	532140356	Drawbar, Stretch
3	817490612	Screw Thdrol 3/8-16x3/4 Ty-tt
4	819131216	Washer 13/32 x 3/4 x 16 Ga.
5	811050600	Washer Lock Ext. Tooth 3/8
6	532145206	Saddle LT Fender Shift
8	532126471	Clip Insulator .406 Mtg Hole
9	532140072	Dash Private Label
10	872140608	Bolt Carriage 3/8-16 x 1
11	532140815	Panel Pnt Dash Lh
12	532145660	Clip Tinnerman Grille P/L
13	532140178	Panel Dash Rh Weldment
14	817490608	Screw Thdrol 3/8-16x1/2 Ty-tt
17	532144320	Hood Paint Steel Private Label
20	532140281	Support Battery
23	532124028	Bushing
24	874780616	Bolt Fin Hex 3/8-16unc X 1 Gr. 5
25	819131312	Washer 13/32 X 13/16 X 12 Ga
26	873800600	Nut Lock Hex W/Ins 3/8-16 Unc
28	532140141	Grille Private Label
29	532140273	Lens Grille Private Label
30	532143050	Fender Pnt
31	532136619	Bracket Pnt Fender
33	532124899	Footrest Pnt Lh
34	532124914	Footrest Pnt Rh
35	872110606	Bolt Rdhd Sht Sqnk 3/8-16 X3/4
37	817490512	Screw Thdrol 5/16-18 X3/4
38	532139886	Bracket, Asm. Pivot, L.H., Mower Rear
39	532139887	Bracket, Asm. Pivot, R.H., Mower Rear
48	532138096	Rivet Push Plate D Plastick Blk
49	817490412	Screw Hexwsh. Thdrol 1/4-20 x 3/4
50	532142779	Brace
51	873800400	Nut Lock Hex W/Ins 1/4-20
52	819091416	Washer 9/32 x 7/8 x 16 Ga.
53	532140219	Hinge Pickoff Hood
54	817030814	Screw Lock Spider #8 x 7/8
55	532143007	Bracket, Grill
57	874780412	Bolt Hex 1/4-20 x 3/4
58	532140806	Air Duct P/L
68	873510400	Nut Keps Hex 1/4-20
--	532005479	Plug Button
--	532134014	Plug Dome Blk

NOTE: All component dimensions given in U.S. inches.
 1 inch = 25.4 mm

TRACTOR - MODEL NO. LT125 (HC12542B) PRODUCT NO. 954 00 27-11

DRIVE



For Husqvarna Parts Call 606-678-9623 or 606-561-4983

REPAIR PARTS

TRACTOR - MODEL NO. LT125 (HC12542B) PRODUCT NO. 954 00 27-11

DRIVE

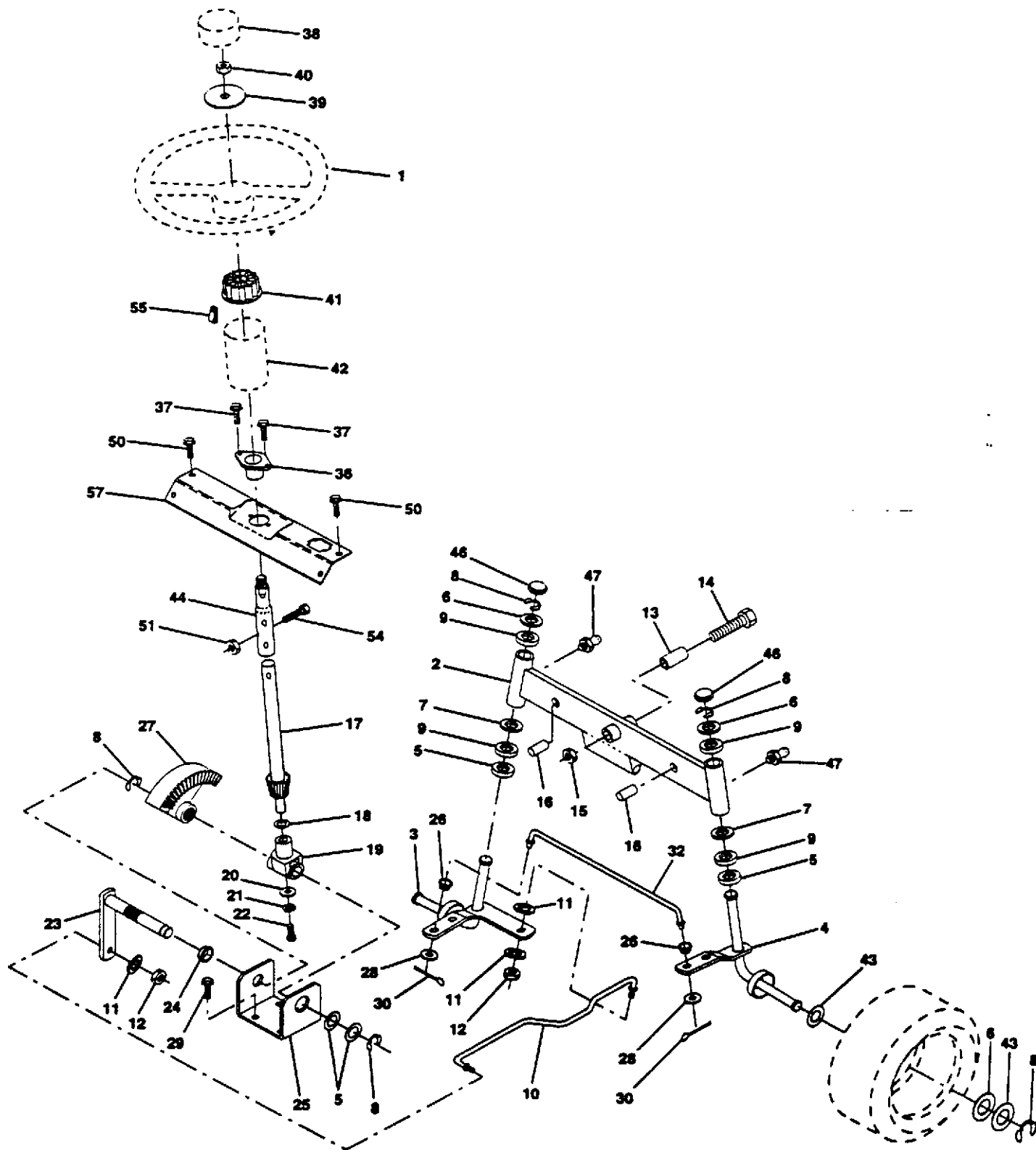
KEY PART NO. NO.	DESCRIPTION	KEY PART NO. NO.	DESCRIPTION
1 532142603	Transaxle 6sp Model No. 4360-79	43 873800600	Nut Lock Hex W/Ins 3/8-16 Unc
2 532110422	Spring Return Brake T/a Zinc	44 532105706	Bearing Nyl 503 X 628 X 1 25
3 532123666	Pulley Transaxle 18" tires	45 532110812	Washer Hardened
4 812000028	Ring Retainer # 5100-62	46 812000039	Ring Klip #t5304-50
5 532121520	Strap Torque 30 Degrees	47 532127783	Pulley Idler V Groove Plastic
6 817490512	Screw Tndrol 5/16-18 X 3/4 TYT	48 532123789	Bellcrank Asm Clutch
7 532130802	Bracket Saddle Shift	49 532123205	Retainer Belt Style Spring
8 532131679	Rod Shifter	50 874760624	Bolt Hex Hd 3/8-16unc X 1-1/2
9 819151216	Washer 15/32 x 3/4 x 16 Ga.	51 873680600	Nut Crownlock 3/8-16 Unc
10 876020416	Pin Cotter 1/8 X 1 Cad	52 819131316	Washer 13/32 X 13/16 X 16 Ga
11 532105701	Washer Plate Shf 388 Sq Hole	53 532105710	Link Clutch 7 66
12 819091210	Washer 9/32 X 3/4 X 10 Ga	54 876020412	Pin Cotter 1/8 X 3/4 Cad
13 874550412	Bolt 1/4-28 Unf Gr.8 w/Patch	55 532105709	Spring Return Clutch 6 75
14 810040400	Washer Lock Hvy Helical 1/4	56 876020412	Pin Cotter 1/8 X 3/4 Cad
15 874780544	Bolt Fin Hex 5/16 - 18 UNC x 2.75	57 532130801	V-Belt Ground Drive 95 25 42"
17 532121520	Strap Torque LT	58 532127274	Keeper Belt RH LT Pnt/zinc 16g
18 874780616	Bolt Fin Hex 3/8-16unc X 1 Gr. 5	59 532140312	Keeper Belt Chassis Span Ctr
19 873800600	Nut Hex Lock W/Ins 3/8-16 Unc	60 819131312	Washer 13/32 X 13/16 X 12 Ga
20 817490512	Screw Thdrol 5/16-18 X 3/4 TYT	61 817490612	Screw Thdrol 3/8-16x3/4 Ty-tt
21 532121274	Knob Duckhead 1/2-13 UNC	62 532124872	Cover Pedal Blk Round
22 532130804	Rod Brake Blk Zinc 27 326	63 532140186	Engine Pulley
23 873800600	Nut Lock Hex W/wsh 3/8-16unc	64 871170764	Bolt Hex 7/16-20x4 Gr 5
24 873350600	Nut Hex Jam 3/8-16 Unc	65 810040700	Washer Lock Hvy Hlcl Spr. 7/16
25 532106888	Spring Rod Brake 2 00 Zinc	66 532129921	Keeper Belt Engine LH LT
26 819131316	Washer 13/32 X 13/16 X 16 Ga	67 874760616	Bolt Fin Hex 3/8-16unc X 1
27 876020412	Pin Cotter 1/8 X 3/4 Cad	68 819131312	Washer 13/32 X 13/16 X 12 Ga
28 532145204	Rod Brake Parking LT	69 873680600	Nut Crownlock 3/8-16 Unc
29 532071673	Cap Brake Parking Black	70 532134683	Guide Belt Mower Drive RH
30 532130807	Bracket Mtg Transaxle	71 874760616	Bolt Fin Hex 3/8-16unc X 1
31 532127275	Keeper Belt LH LT 14 Ga	72 819132012	Washer 13/32 X 1-1/4 X 12 Ga
32 874760512	Bolt Hex Hd 5/16-18unc X 3/4	73 873680600	Nut Crownlock 3/8-16 Unc
33 873800500	Nut Hex W/Ins Lock 5/16-18	74 532109502	Spacer Axle
34 532122424	Shaft Asm Pedal Foot 1 930	75 532121749	Washer 25/32 X 1 1/4 X 16 Ga.
35 532120183	Bearing Nylon Blk 629 Id	76 812000001	E-ring #5133-75
36 819211616	Washer 21/32 X 1 X 16 Ga	77 532123583	Key Square 2 0 X 1845/ 1865
37 532124963	Pin Roll 3/16 X 1"	78 532121748	Washer 25/32 X 1-5/8 X 16 Ga
38 532123674	Pulley Idler Flat	95 817490612	Screw Thdrol 3/8 - 16 x 3/4
39 874760644	Bolt Fin Hex 3/8-16unc X 2-3/4	100 819111216	Washer 11/32 x 3/4 x 16 Ga.
40 532124965	Spacer Split 395 X 59 Bzp		
41 532109070	Keeper Belt Retainer		
42 819131312	Washer 13/32 X 13/16 X 12 Ga		

NOTE: All component dimensions given in U.S. inches
1 inch = 25.4 mm

REPAIR PARTS

TRACTOR - MODEL NO. LT125 (HC12542B) PRODUCT NO. 954 00 27-11

STEERING ASSEMBLY



TRACTOR - MODEL NO. LT125 (HC12542B) PRODUCT NO. 954 00 27-11

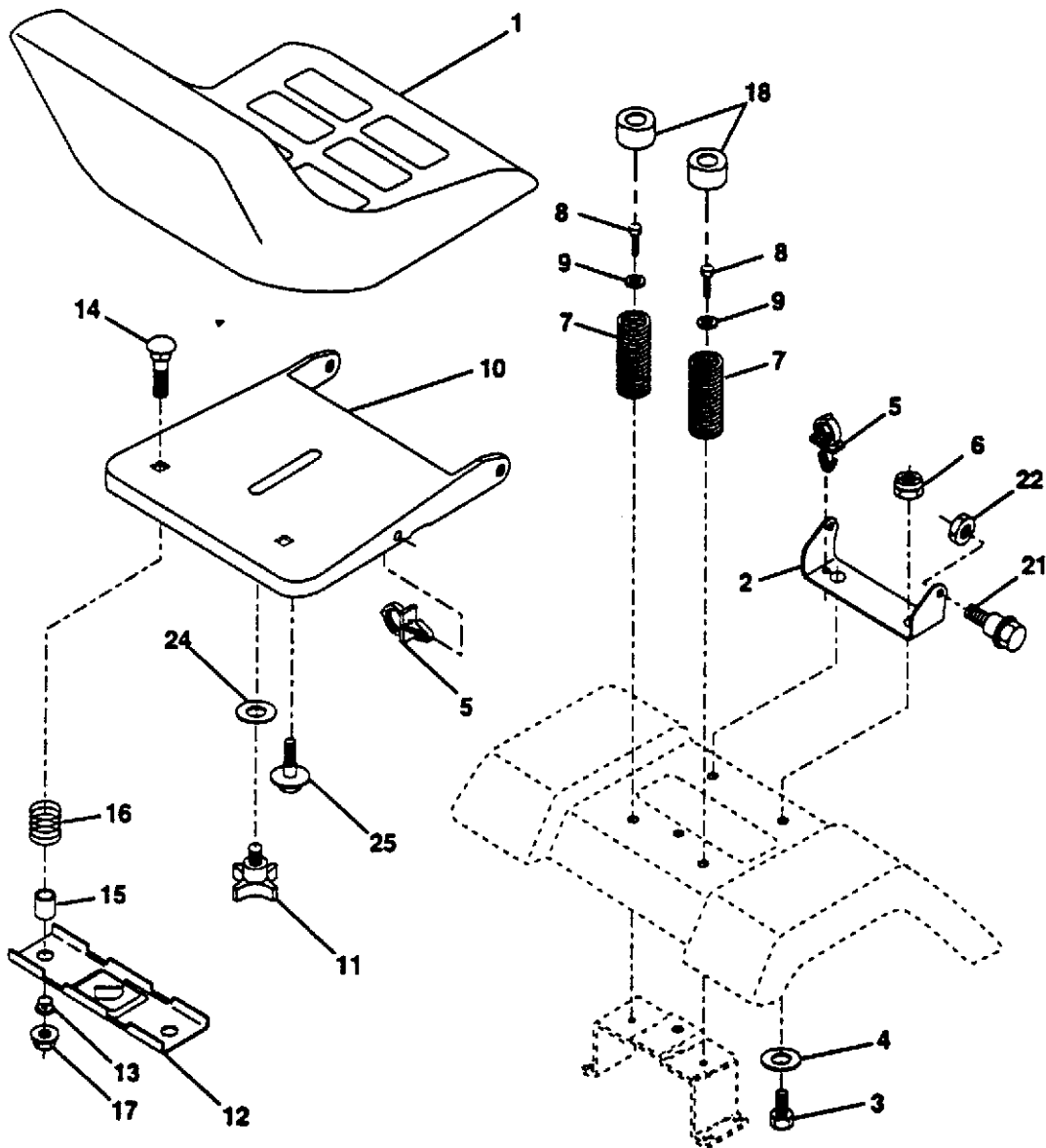
STEERING ASSEMBLY

KEY NO.	PART NO.	DESCRIPTION
1	532121472	Wheel Steering Auto Blk
2	532142033	Axle Asm Fr LT W/gzks 38/42
3	532135227	Spindle Asm LH
4	532135228	Spindle Asm RH
5	532124931	Bearing Race Thrust Harden
6	532121748	Washer 25/32 X 1-5/8 X 16 Ga
7	819272016	Washer 27/32 X 1-1/4 X 16 Ga
8	812000029	Ring Klip #15304-75
9	532124937	Bearing Col Strg Blk
10	532130468	Link Drag Sol Ball Jt 20 064
11	810040600	Washer Lock Hvy Hlcl Spr 3/8
12	873610600	Nut Fin Hex 3/8-24 Unf
13	532110438	Spacer Bearing Axle Front
14	874011056	Bolt Hex 5/8-11 Unc X 3-1/2
15	873901000	Nut Lock Flange 5/8-11 Unc
16	532132624	Pin Axle 5/8 X 1 55/1 54 Lg
17	532140176	Shaft Asm Strg Private Label
18	532057079	Washer Thrust 515x 750x 033
19	532124035	Support Shaft
20	532126684	Washer Shim 1/4 X 5/8 X 062
21	810040400	Washer Lock Hvy Helical 1/4
22	871070410	Screw Hex Socket 1/4-20 X 5/8
23	532127501	Shaft Asm Pittman
24	532109816	Nyliner Snap In
25	532124036	Bracket Steering
26	543126847	Bushing Link Drag Blk LR
27	532136874	Gear Sector
28	819131416	Washer 13/32 X 7/8 X 16 Ga
29	817490612	Screw Thdrol 3/8-16x3/4 Ty-tt
30	876020412	Pin Cotter 1/8 X 3/4 Cad
32	532130465	Rod Tie Wire Form 19 75 Mech
36	532102803	Bushing Strg
37	817431008	Screw Slftp #10-16 X 1/2 Ty-b
38	532126805	Insert Cap Strg Wh Au
39	819133808	Washer 13/32 X 2-3/8 X 8 Ga
40	532124701	Nut Lock Center 3/8-24unf
41	532104820	Adaptor Wheel Strg 640/ 635id
42	532140216	Boot Steering Shaft
43	532121749	Washer 25/32 X 1 1/4 X 16 Ga
44	532140171	Shaft Extention Steering
46	532121232	Cap Spindle Fr Top Blk
47	532124836	Fitting Grease
50	817490412	Screw Hex Wsh Thdrol 1/4-20 x 3/4
51	873800500	Nut Lock Hex w/Ins 5/16-18
54	874780520	Bolt Fin Hex 5/16-18 Unc x 1-1/4
55	532140285	Clip Tinnerman
57	532140172	Support Shaft Steering

NOTE: All component dimensions given in U.S. inches.
 1 inch = 25.4 mm.

TRACTOR - MODEL NO. LT125 (HC12542B) PRODUCT NO. 954 00 27-11

SEAT ASSEMBLY



**KEY PART
NO. NO.**

DESCRIPTION

1	532127426	Seat V250 Blk/blk Std
2	532140551	Bracket Pivot Seat 8 720
3	874760616	Bolt Fin Hex 3/8-16unc X 1
4	819131610	Washer 13/32 X 1 X 10 Ga
5	532145006	Clip Push-In
6	873800600	Nut Hex w/Ins. 3/8-16 Unc
7	532124181	Spring Seat Cprsn 2 250 Blk Zi
8	817490616	Screw Thdrol 3/8-16 X 1 Ty-tt
9	819131614	Washer 13/32 X 1 X 14 Ga.
10	532140552	Pan Seat
11	532120068	Knob seat 1/2-13 Unc
12	532121248	Bracket Mounting Switch
13	532121248	Bushing Snap Blk Nyl 50 Id

**KEY PART
NO. NO.**

DESCRIPTION

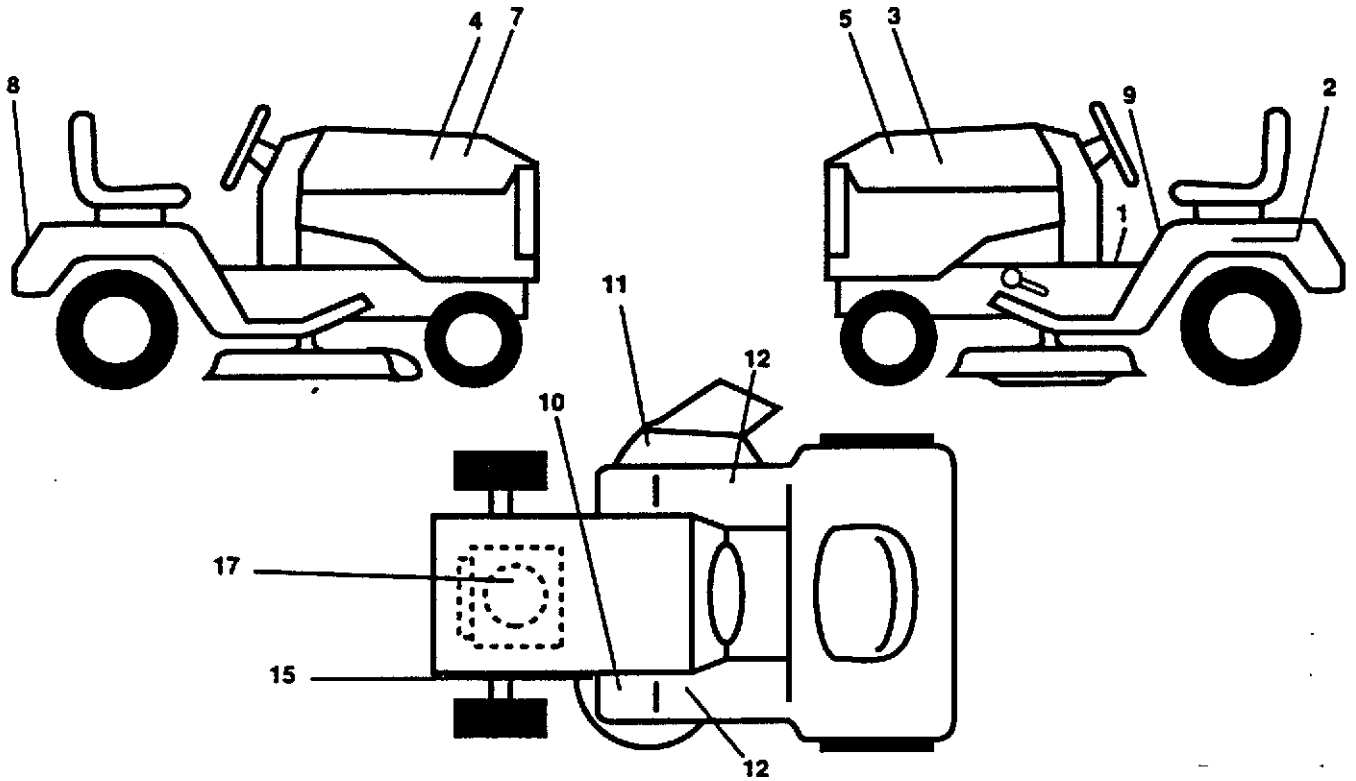
14	872050411	Bolt Rdhd Sht Nk 1/4-20x1-3/8
15	532134300	Spacer Split 28x 96 Yel Zinc
16	532121250	Spring Cprsn 1 27 Blk Pnt
17	532123976	Nut Lock 1/4 Lge Flg Gr 5 Zinc
18	532124238	Cap Spring Seat
21	532139888	Bolt Shoulder 5/16-18 Unc Blkz
22	873800500	Nut Hex Lock W/Ins 5/16-18
24	819171912	Washer 17/32 X 1-3/16 X 12 Ga.
25	532127018	Bolt Shoulder 5/16-18 X 62

NOTE: All component dimensions given in U.S. inches.
1 inch = 25.4 mm

REPAIR PARTS

TRACTOR - MODEL NO. LT125 (HC12542B) PRODUCT NO. 954 00 27-11

DECALS



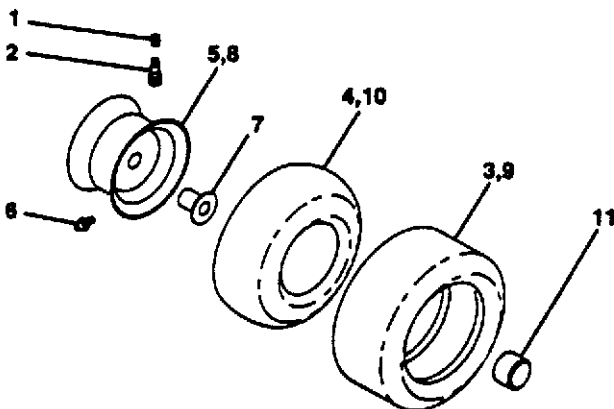
KEY NO.	PART NO.	DESCRIPTION
1	532140820	Decal Instruction Dash Eng/fr
2	532121549	Decal Caution Battery Fr/ger
3	532143608	Decal Hood LH
4	532143609	Decal Hood RH
5	532143628	Decal Ins Hd LH
7	532143627	Decal Ins Hd RH
8	532131582	Decal Fender Logo
9	532133795	Decal Caution Fender Eng/fr
10	532101892	Decal Clutch/brake Eng/fr
11	532137259	Decal Warning Multi-Language
12	532133671	Pad Footrest Ribbed

KEY NO.	PART NO.	DESCRIPTION
15	532136832	Decal V-Belt Schematic
17	532129057	Decal HP Engine
--	532138311	Decal Handle Lft Height Adjust
--	532146033	Manual Owner's (English)
--	532146034	Manual Owner's (French)

Available accessories not included with tractor:

- LBD48 42" Snow Blade
- LSB42 40" Snow Thrower
- LC05 33lb. Wheel Wts. (Pair)
- CH12 Tire Chains (18 x 8.5 x 8)
- MP42 Mulcher Plate Kit 42"

WHEELS & TIRES



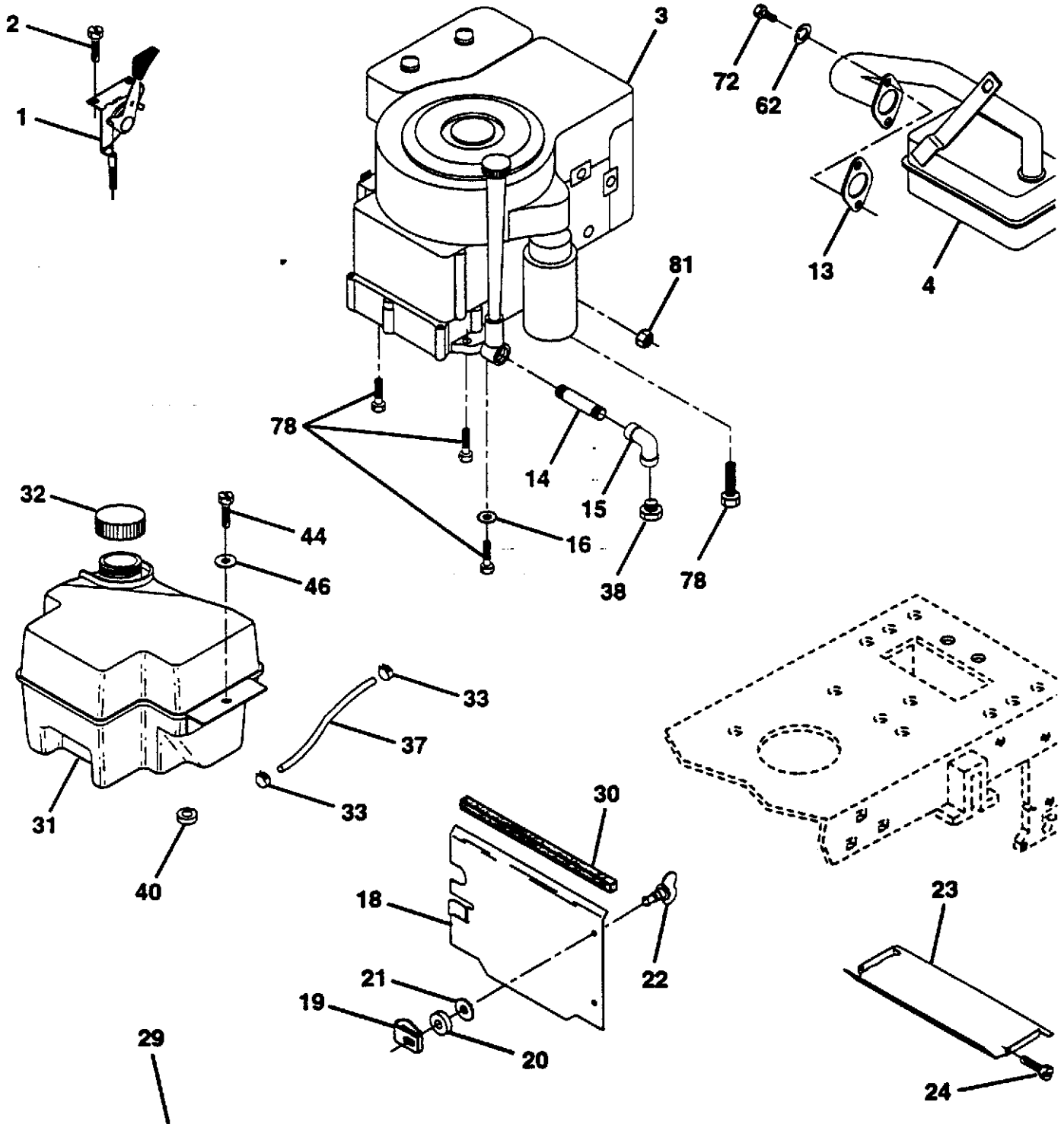
KEY NO.	PART NO.	DESCRIPTION
1	532059192	Cap Valve Tire
2	532065139	Stem Valve
3	532106222	Tire F Ts 15 X 6 0 - 6 Service
4	532059904	Tube Front (Service Item Only)
5	532141446	Rim Asm 6"front White Service
6	532124957	Fitting Grease (Front Wheel Only)
7	532124959	Bearing Flange (Front Wheel Only)
8	532141447	Rim Asm 8"rear White Service
9	532124635	Tire R Ts 18x8 5-8 C Service
10	532124926	Tube Rear (Service Item Only)
11	532104757	Cap Axle Blk 1 50 X 1 00

NOTE: All component dimensions given in U.S. inches
1 inch = 25.4 mm

REPAIR PARTS

TRACTOR - MODEL NO. LT125 (HC12542B) PRODUCT NO. 954 00 27-11

ENGINE



OPTIONAL EQUIPMENT
Spark Arrester

TRACTOR - MODEL NO. LT125 (HC12542B) PRODUCT NO. 954 00 27-11

ENGINE

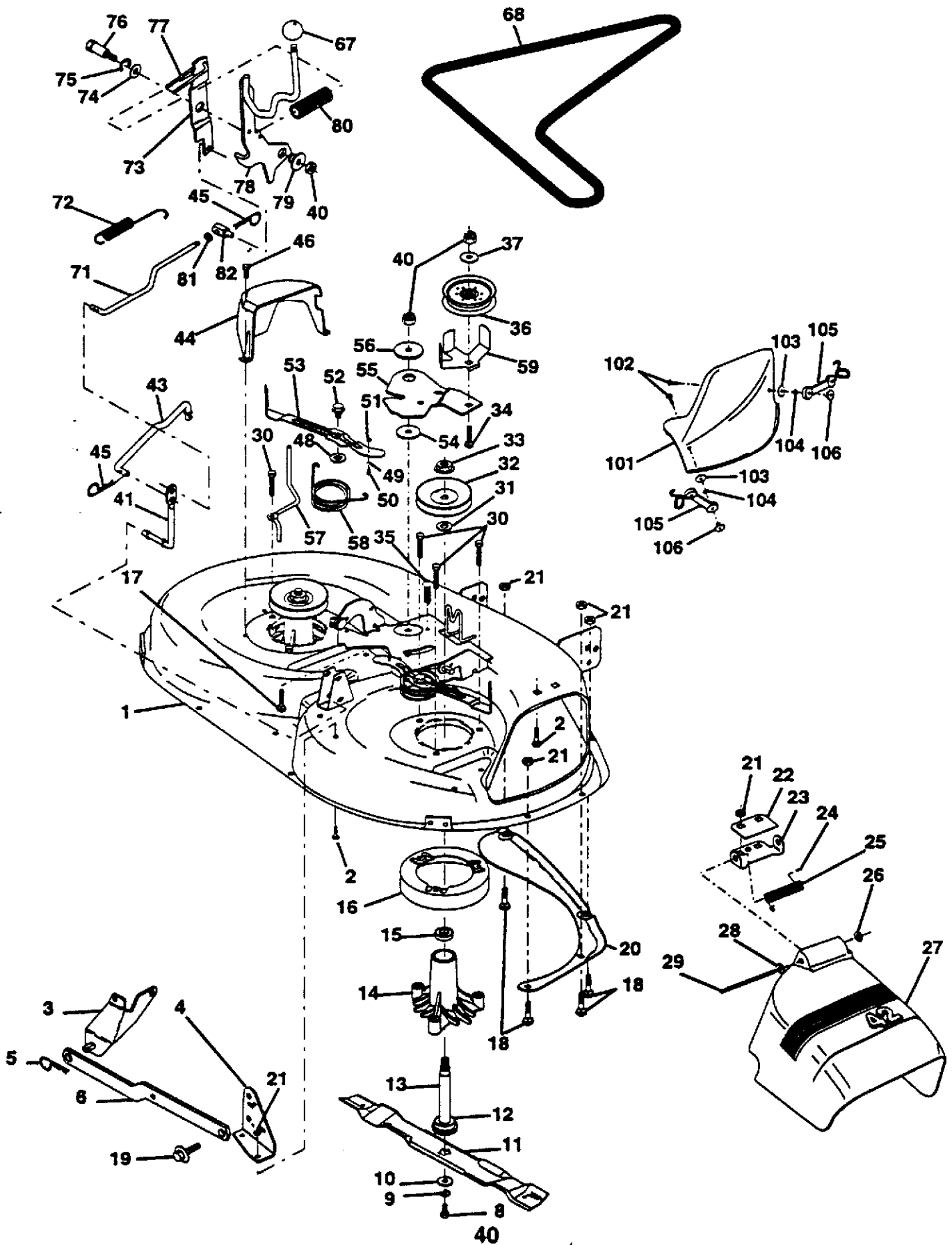
KEY NO.	PART NO.	DESCRIPTION
1	532140310	Control Th/ch 23 5 LH Flag
2	817720410	Screw Hex Thd Cut 1/4-20x5/8 T
3	-----	Engine B&S 12.5 ICQ IVT Dual Model No. 286707
4	532137348	Muffler LT B&S 12/12.5/13HP
13	532125593	Gasket Eng 1 313 Id Tin Plated
14	813280324	Nipple Pipe 3/8 Npt X 3"
15	813200300	Elbow Sfd 90 Degree 3/8-18 Npt
16	811050600	Washer Lock Ext Tooth 3/8
18	532136718	Shield Heat Lt
19	532105839	Receptacle 1/4 turn
20	532105838	Retainer 1/4 turn
21	819091016	Washer 9/32 x 5/8 x 16 Ga.
22	532123650	Stud 1/4 turn
23	532128953	Shield Heat Browning LT/YT
24	817021008	Screw Tap Hex #10-24unc X 1/2
29	532137180	Kit Spark Arrestor (Flat Scm)
30	532127057	Pinch Weld Hood Black
31	532140280	Tank Fuel Front 2 00
32	532140527	Cap Asm Fuel W/sym Vented
33	532123487	Clamp Hose Black
37	532137040	Line Fuel 20"
38	-----	Plug Oil Drain (Order From Engine Manufacturer)
40	532124028	Bushing Snap Nyl Blk Fuel Line
44	817490412	Screw Hexwsh Thdrol 1/4-20x3/4
46	819091416	Washer 9/32 X 7/8 X 16 Ga
62	810040500	Washer Lock Hvy Hlcl Spr 5/16
72	871070512	Screw Hexhd Cap 5/16-18x 3/4
78	817490620	Screw Thdrol 3/8-16x1-1/4 TYTT
81	873510400	Nut Keps Hex 1/4-20 Unc

NOTE: All component dimensions given in U.S. inches
1 inch = 25.4 mm

For Husqvarna Parts Call 606-678-9623 or 606-561-4983
REPAIR PARTS

TRACTOR - MODEL NO. LT125 (HC12542B) PRODUCT NO. 954 00 27-11

MOWER DECK



For Husqvarna Parts Call 606-678-9623 or 606-561-4983

REPAIR PARTS

TRACTOR - MODEL NO. LT125 (HC12542B) PRODUCT NO. 954 00 27-11

MOWER DECK

KEY NO.	PART NO.	DESCRIPTION	KEY NO.	PART NO.	DESCRIPTION
1	532144393	Deck Asm MWR 42"weldment	45	532124788	Spring Retainer 1" Zinc/cad
2	872140506	Bolt Rdhd Sqnk 5/16-18unc X3/4	46	532137729	Screw Hex Thd Cut 1/4-20x5/8 T
3	532138017	Bracket Asm Fr Sway Bar 38/42	48	532133944	Washer Hardened Smaller
4	532138440	Bracket Asm Deck 42"sway Bar	49	532133940	Roller Asm Cam Follower 42"dec
5	532124670	Retainer Spring	50	532131340	Bolt Shldr 10-24 Zinc Gr 5 42"
6	532130832	Arm Suspension Rear	51	532069180	Nut Lock #10-24 Unc
7	873800500	Locknut hex W/ins 5/16-18unc P	52	532139888	Bolt Shoulder 5/16-18 Unc Blkz
8	532850857	Bolt 3/8 - 24 X 1.25 Gr 8	53	532131845	Arm Asm Pad Brake
9	810030600	Washer Lock Hvy 3/8	54	532133943	Washer Hardened
10	532140296	Washer Hard Blade Mower Vented	55	532140084	Arm Idler 42"mower LT/YT
11	532134149	Blade Mower Mulching 42"	56	532122052	Spacer Retainer Pm Mower
12	532129895	Bearing Ball #6024 (Mandrel)	57	532140090	Keeper Belt LH Front
13	532137645	Shaft Asm W/lower Bearing	58	532140086	Spring Torsion Brakes
14	532128774	Housing Mandrel Vented	59	532141043	Guard TUV Idler
15	532110485	Bearing Ball Mandrel	67	532106933	Knob Rd 1/2-13 Plstc Thds Blk
16	532140329	Stripper Mower Vented	68	532144200	V-Belt Mower 42"
17	872110610	Bolt Rdhd Sqnk 3/8-16 X 1-1/4	71	532142427	Rod Clutch Primary 38/42
18	872140505	Bolt Rdhd Sqnk 5/16-18 X 5/8	72	532131870	Spring Return
19	532132827	Bolt Shoulder	73	532127847	Arm Clutch Secondary
20	532136888	Baffle Vortex 42	74	532121748	Washer 25/32 X 1-5/8 X 16 Ga
21	873872680	Nut Crown Lock 5/16-18 Unc	75	812000029	Ring Klip #15304-75
22	532134753	Stiffener Bracket 42"deck	76	532128903	Bolt Shoulder 3/8-16 Unc 1 44
23	532131267	Bracket Deflector Mower 42"	77	532127845	Keeper Spring 4 000
24	532105304	Cap Sleeve 80x 112 Blk Mower	78	532140179	Arm Asm Clutch Primary
25	532123713	Spring Torsion Deflector 2 52	79	532127498	Bushing 747 Od X 794 Lg Brass
26	532110452	Nut Push Phos & Oil	80	532128759	Spring Clutch Mower 2 750 Zinc
27	532130968	Shield Deflector Mower 42" Blk	81	873350600	Nut Hex Jam 3/8-16
28	819111016	Washer 11/32 X 5/8 X 16 Ga	82	532142028	Trunnion Adj 94
29	532131491	Rod Hinge 42"6 75 Wlg	83	532120958	Washer Sintered
30	532138776	Screw Thdrol Hex Head Zinc Mwr	84	532144394	Keeper Belt Idler Fixed
31	532129963	Washer Spacer Mower Vented	85	872140620	Bolt Carriage 3/8-16 x 2-1/2 Gr. 5
32	532129861	Pulley Mandrel 42"	92	873680600	Nut Crownlock 3/8-16 Unc
33	532137266	Nut 9/16 Toplock Fing Oil Dip	101	532136420	Cover Mulching 42" Black
34	872110614	Bolt Rdhd 3/8-16uncx1-3/4 Gr5	102	871161010	Screw
35	532133835	Fastner Christmas Tree	103	819061216	Washer #10
36	532131494	Pulley Idler Flat 3 060	104	810071000	Washer Lock #10
37	819131316	Washer 13/32 X 13/16 X 16	105	532130758	Latch Asm Bagger
40	873800600	Nut Lock Hex W/ins 3/8-16 Unc	106	532125004	Nut Weld
41	532133551	Rod Pivot W/nibs	--	532145111	Mower deck complete (std. deck - order separately mulcher plate components key Nos. 101-106)
43	532140083	Rod Clutch Secondary W/nibs	--	532130794	Mandrel Asm Service (Includes Key Nos. 8-10, 12-15, 31 and 33)
44	532140088	Guard Mandrel LH Black			

NOTE: All component dimensions given in U.S. inches
1 inch = 25.4 mm