

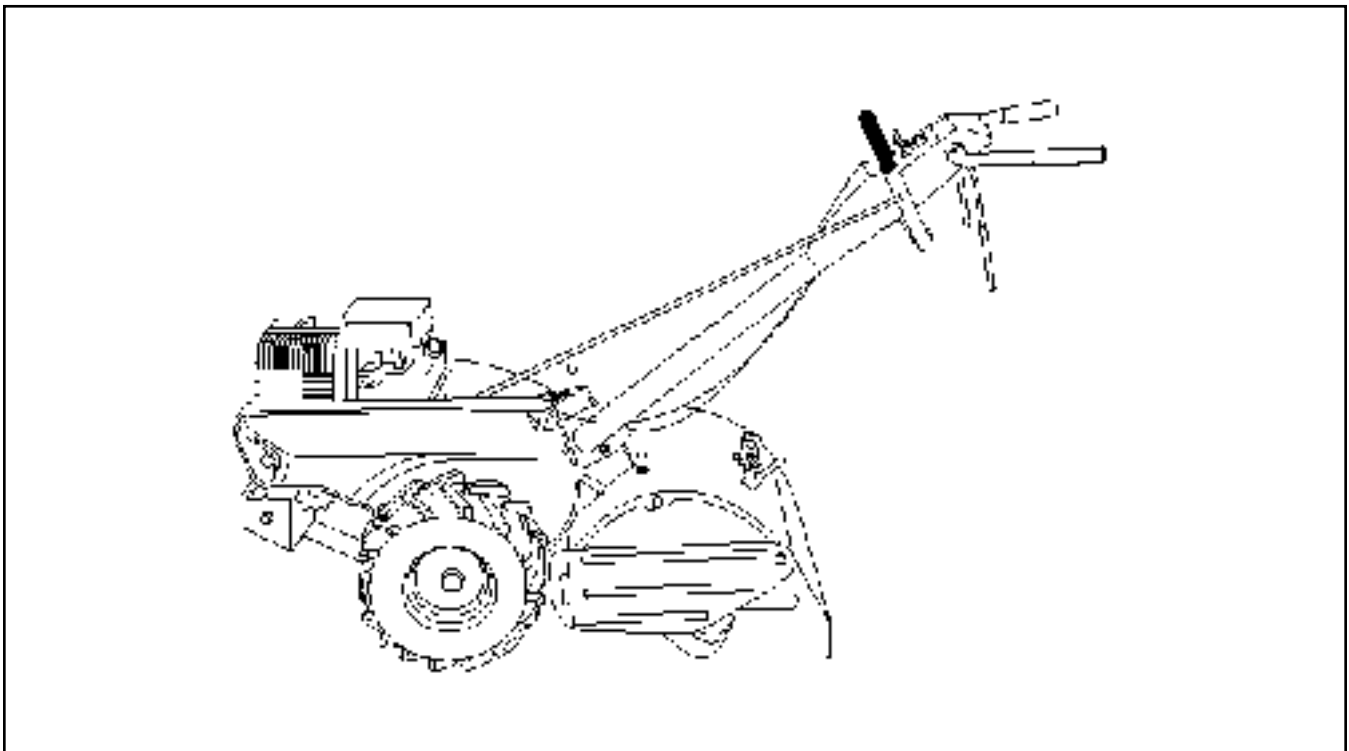


Illustrated Parts
List

1995-03

I9502001

CRT 35

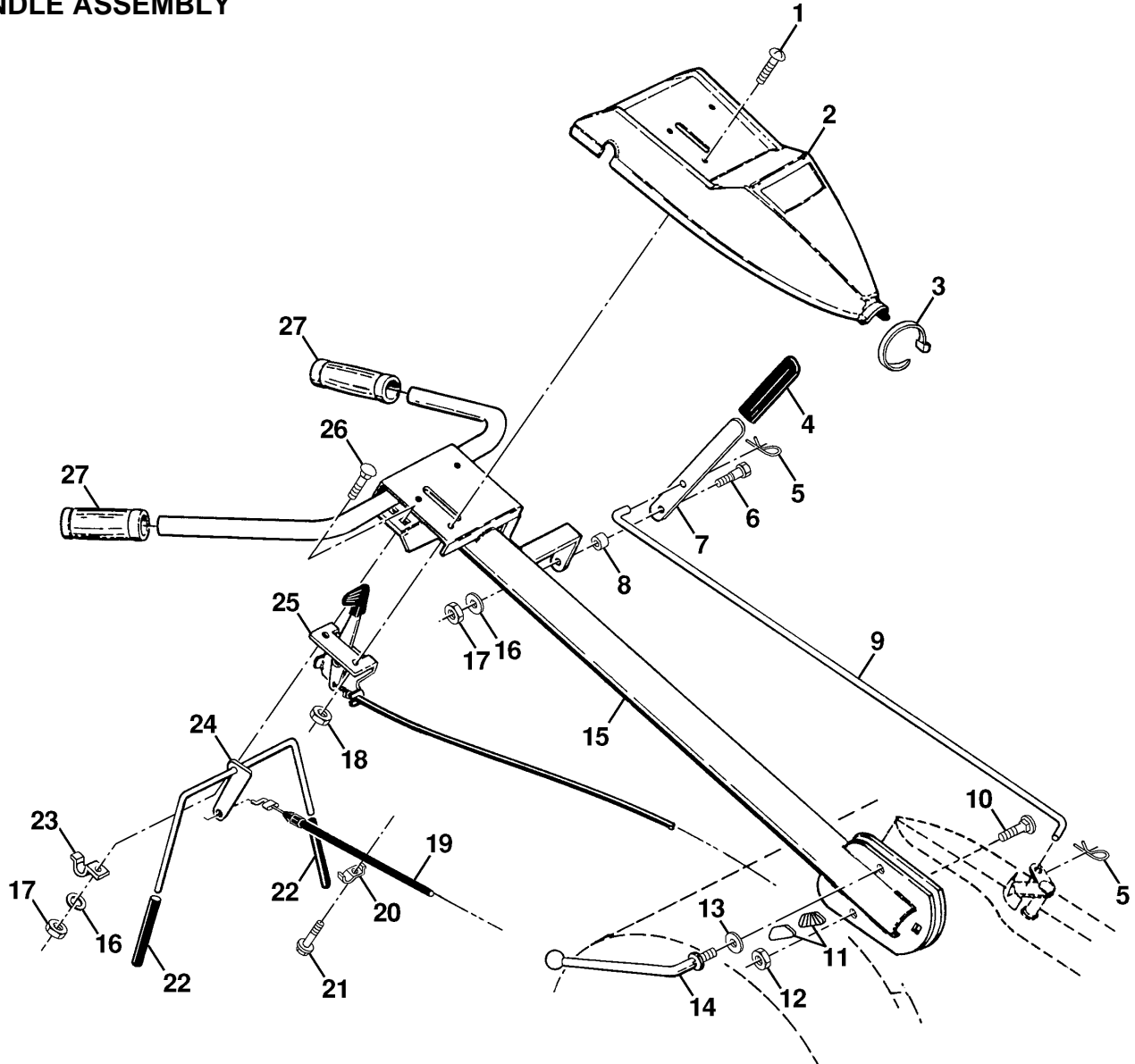


Tiller

954001252B

TILLER - - MODEL NO. CRT35 (954001252B)

HANDLE ASSEMBLY



| KEY NO. | PART NO. | DESCRIPTION | KEY NO. | PART NO. | DESCRIPTION |
|---------|-----------|---------------------------------|---------|-----------|--------------------------------------------|
| 1 | 871191008 | Screw, PHD. #10-24 | 17 | 873220400 | Nut, Hex 1/4-20 |
| 2 | 532126956 | Panel, Control | 18 | 873731000 | Nut, Keps #10-24 UNC |
| 3 | 532104164 | Tie, Cable | 19 | 532147668 | Cable, Clutch |
| 4 | 532124797 | Grip, Handle | 20 | 532009484 | Clip |
| 5 | 532124788 | Clip, Hairpin | 21 | 532086777 | Screw, Hex Washer Hd. Slotted #10-24 x 1/2 |
| 6 | 532081328 | Bolt, Shoulder | 22 | 532102604 | Grip, Bar, Control |
| 7 | 532109335 | Handle, Shift | 23 | 532102744 | Clamp, Bar, Control |
| 8 | 532109313 | Grommet, Rubber | 24 | 532105216 | Bar Assembly, Control |
| 9 | 532109337 | Rod, Shift | 25 | 532127012 | Control, Throttle |
| 10 | 872110608 | Bolt, Carriage 3/8-16 x 1 Gr. 5 | 26 | 872140404 | Bolt, Carriage 1/4-20 UNC x 1/2 |
| 11 | 532109229 | Lock, Handle | 27 | 532140528 | Grip, Handle |
| 12 | 873930600 | Nut, Centerlock 3/8-16 | | | |
| 13 | 819131611 | Washer 13/32 x 1 x 11 Ga. | | | |
| 14 | 532109228 | Lever, Lock, Handle | | | |
| 15 | 532125011 | Handle | | | |
| 16 | 810040400 | Washer, Lock 1/4 | | | |

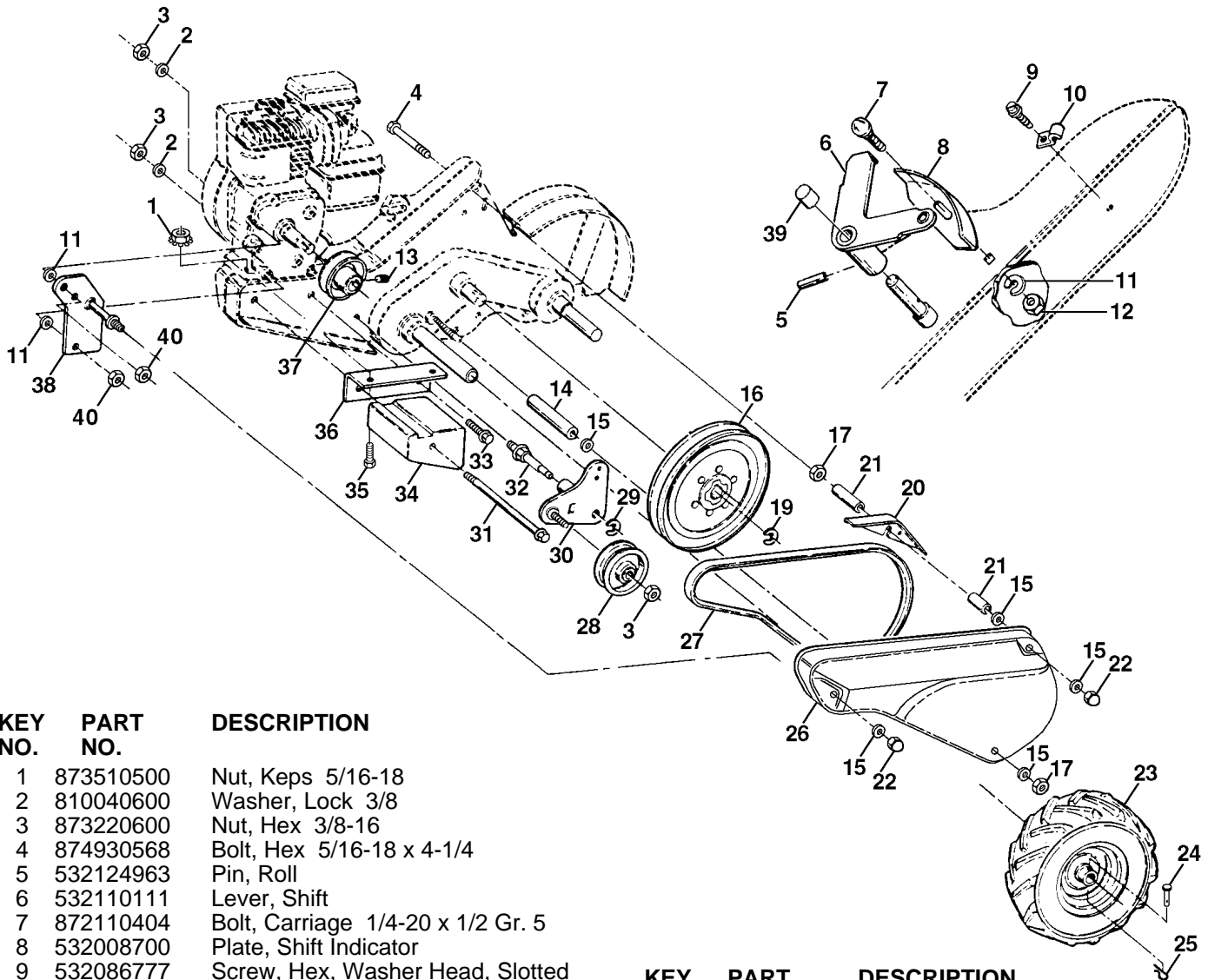
NOTE: All component dimensions given in U.S. inches.
 1 inch = 25.4 mm

For Husqvarna Parts Call 606-678-9623 or 606-561-4983

REPAIR PARTS

TILLER - - MODEL NO. CRT35 (954001252B)

MAINFRAME, LEFT SIDE



| KEY NO. | PART NO. | DESCRIPTION |
|---------|-----------|-----------------------------------------------|
| 1 | 873510500 | Nut, Keps 5/16-18 |
| 2 | 810040600 | Washer, Lock 3/8 |
| 3 | 873220600 | Nut, Hex 3/8-16 |
| 4 | 874930568 | Bolt, Hex 5/16-18 x 4-1/4 |
| 5 | 532124963 | Pin, Roll |
| 6 | 532110111 | Lever, Shift |
| 7 | 872110404 | Bolt, Carriage 1/4-20 x 1/2 Gr. 5 |
| 8 | 532008700 | Plate, Shift Indicator |
| 9 | 532086777 | Screw, Hex, Washer Head, Slotted #10-24 x 1/2 |
| 10 | 532009484 | Clip |
| 11 | 810040400 | Washer, Lock 1/4 |
| 12 | 873220400 | Nut, Hex 1/4-20 |
| 13 | 823230506 | Screw, Set, Hex 5/16-18 x 3/8 |
| 14 | 532120938 | Spacer, Split 0.327 x 0.42 x 2.68 |
| 15 | 819111116 | Washer 11/32 x 11/16 x 16 Ga. |
| 16 | 532145102 | Sheave, Transmission |
| 17 | 873220500 | Nut, Hex 5/16-18 |
| 19 | 812000028 | Ring, Retainer |
| 20 | 532110653 | Guard, Pinch Point |
| 21 | 532145216 | Spacer, Split 0.327 x 0.42 x 1.688 |
| 22 | 532104214 | Nut, Cap 5/16-18 |
| 23 | 532102190 | Tire |
| | 532124258 | Rim |
| | 532124718 | Tire Valve |
| 24 | 532126875 | Rivet, Drilled |
| 25 | 532124788 | Clip, Hairpin |
| 26 | 532125339 | Guard, Belt |

| KEY NO. | PART NO. | DESCRIPTION |
|---------|-----------|-------------------------------|
| 27 | 532132672 | Belt, V |
| 28 | 532104679 | Pulley, Idler |
| 29 | 812000032 | Ring, Klip |
| 30 | 532105611 | Bracket, Idler |
| 31 | 532102384 | Bolt, Hex 5/16-16 x 12 |
| 32 | 532102141 | Shaft, Idler Arm |
| 33 | 874760616 | Bolt, Hex 3/8-16 x 1 |
| 34 | 532102383 | Counterweight, L. H. |
| 35 | 874760524 | Bolt, Hex 5/16-18 x 1-1/2 |
| 36 | 532102331 | Bracket, Reinforcement, L. H. |
| 37 | 532130816 | Sheave, Engine |
| 38 | 532131558 | Bracket, Guard Belt |
| 39 | 532140062 | Cap, Plunger |
| 40 | 873800400 | Nut, Lock w/insert 1/4-20 |

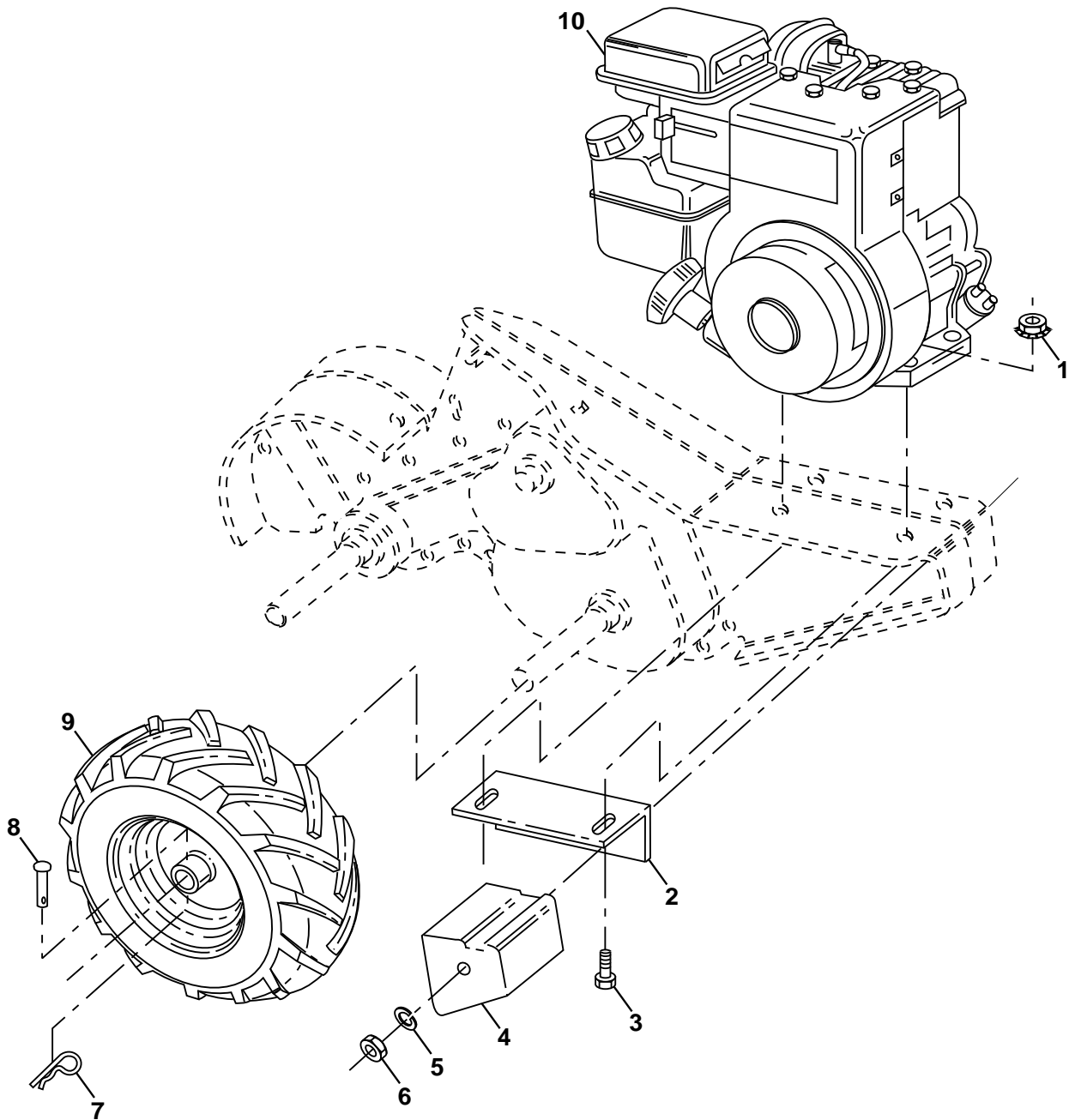
NOTE: All component dimensions given in U.S. inches.
1 inch = 25.4 mm

For Husqvarna Parts Call 606-678-9623 or 606-561-4983

REPAIR PARTS

TILLER - - MODEL NO. CRT35 (954001252B)

MAINFRAME, RIGHT SIDE



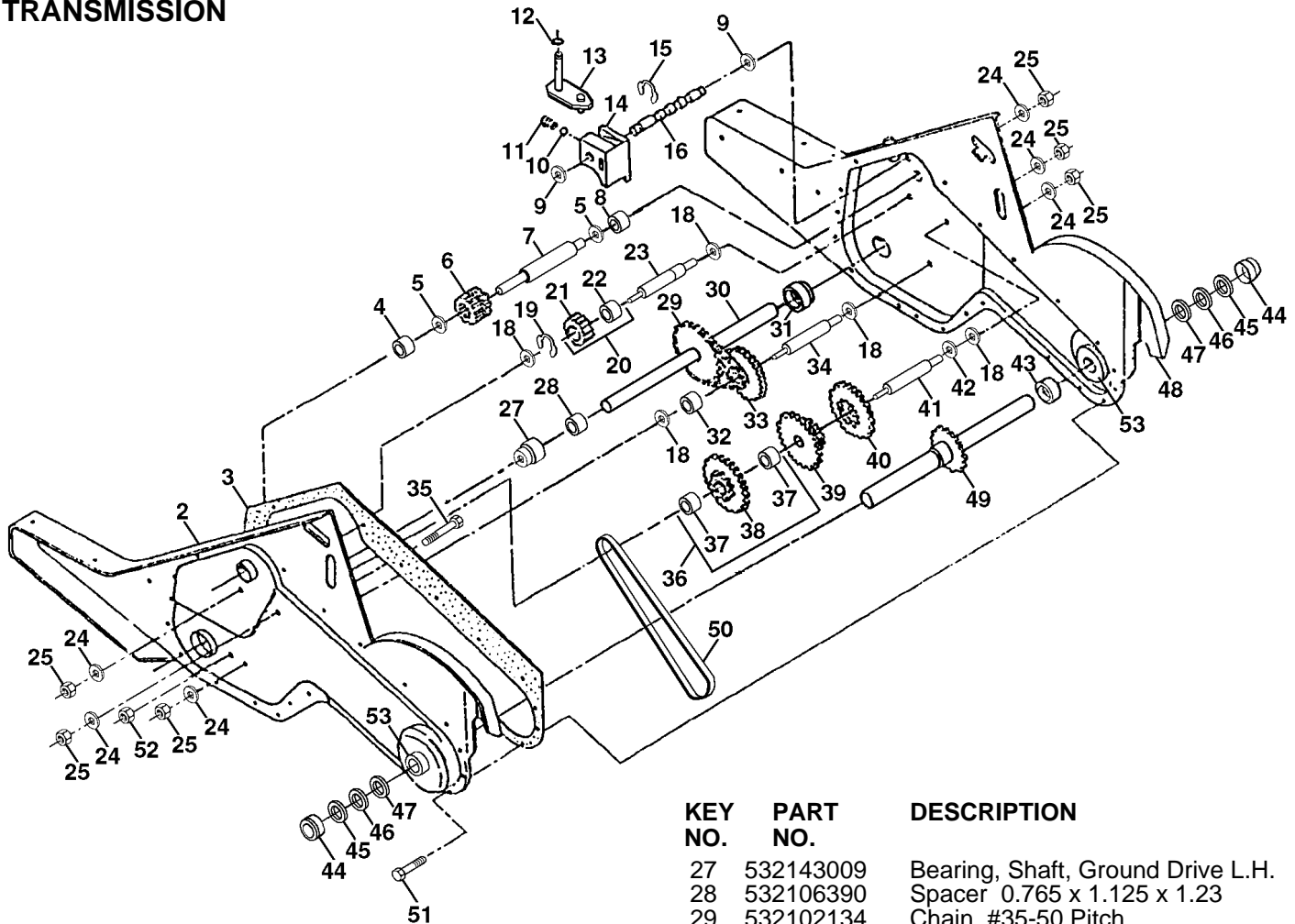
| KEY NO. | PART NO. | DESCRIPTION |
|---------|-----------|---------------------------|
| 1 | 873510500 | Nut, Keps 5/16-18 |
| 2 | 532102332 | Bracket, Reinforcement |
| 3 | 874760524 | Bolt, Hex 5/16-18 x 1-1/2 |
| 4 | 532102173 | Counter Weight, R.H. |
| 5 | 810040600 | Washer, Lock 3/8 |
| 6 | 873220600 | Nut, Hex 3/8-16 |
| 7 | 532124788 | Clip, Hairpin |
| 8 | 532126875 | Rivet, Drilled |

| KEY NO. | PART NO. | DESCRIPTION |
|---------|-----------|-------------------------------------------|
| 9 | 532102190 | Tire |
| | 532124258 | Rim |
| | 532124718 | Tire Valve |
| 10 | ----- | Engine, Briggs & Stratton Model No. 91202 |

NOTE: All component dimensions given in U.S.inches.
1 inch = 25.4 mm

TILLER - - MODEL NO. CRT35 (954001252B)

TRANSMISSION



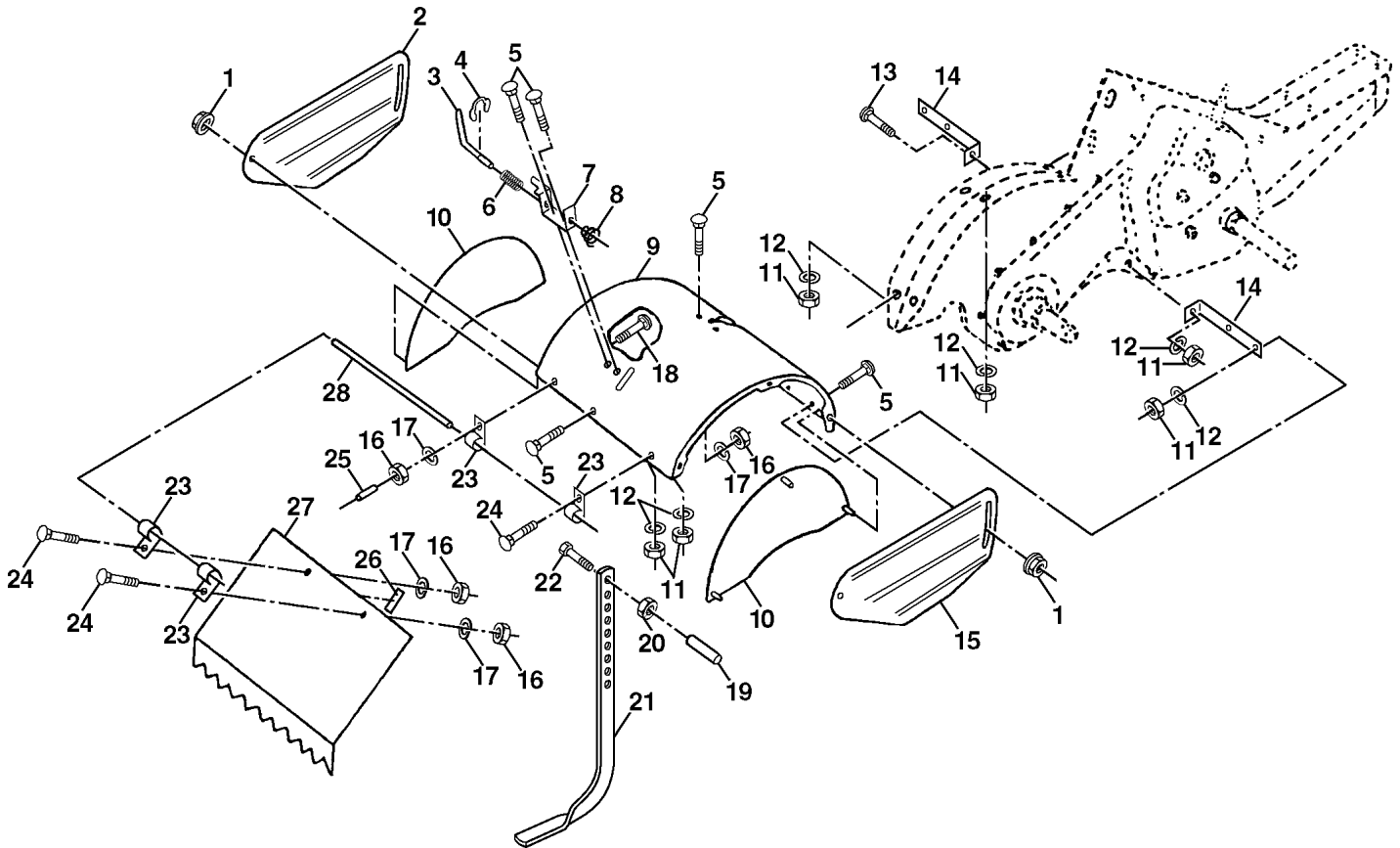
| KEY NO. | PART NO. | DESCRIPTION |
|---------|-----------|-------------------------------------------------------------|
| 1 | 532145840 | Transmission Assembly (Includes Key Nos. 2-53) |
| 2 | 532139544 | Gearcase, L.H. w/Bearing (Includes Key No. 4) |
| 3 | 532106211 | Gasket, Gearcase |
| 4 | 532005020 | Bearing, Needle |
| 5 | 532001370 | Washer, Thrust 5/8 x 1.10 x 1/32 |
| 6 | 532137335 | Pinion, Input |
| 7 | 532145101 | Shaft, Input |
| 8 | 532124792 | Bearing, Needle |
| 9 | 532102136 | Washer, Seal |
| 10 | 532124697 | Ball, Steel |
| 11 | 532100371 | Spring, Shift, Fork |
| 12 | 532106160 | O-Ring |
| 13 | 532142145 | Bracket Asm. Shift |
| 14 | 532008353 | Fork, Shift |
| 15 | 812000039 | Ring, Klip |
| 16 | 532140525 | Shaft, Shift |
| 18 | 532004358 | Washer |
| 19 | 812000040 | Ring, Klip |
| 20 | 532102114 | Gear, Assembly, Reverse Idler (Includes Key Nos. 21 and 22) |
| 21 | 532102115 | Gear, Reverse Idler |
| 22 | 532006803 | Bearing, Needle |
| 23 | 532102111 | Shaft, Reverse Idler |
| 24 | 810040700 | Washer, Lock 7/16 |
| 25 | 873610700 | Nut, Hex 7/16-20 |

| KEY NO. | PART NO. | DESCRIPTION |
|---------|-----------|-----------------------------------------------------------|
| 27 | 532143009 | Bearing, Shaft, Ground Drive L.H. |
| 28 | 532106390 | Spacer 0.765 x 1.125 x 1.23 |
| 29 | 532102134 | Chain #35-50 Pitch |
| 30 | 532109204 | Ground Shaft Assembly |
| 31 | 532143008 | Bearing, Shaft, Ground Drive R.H. |
| 32 | 532106388 | Spacer 0.70 x 1.00 x 1.150 |
| 33 | 532102121 | Sprocket and Gear Assembly |
| 34 | 532102112 | Shaft, Reduction (2nd) |
| 35 | 532102101 | Screw, Whiz, Lock 5/16-18 x 3-1/2 |
| 36 | 532137300 | Sprocket Assembly w/Bearing (Includes Key Nos. 37 and 38) |
| 37 | 532124791 | Bearing, Needle |
| 38 | 532137301 | Sprocket, Tine |
| 39 | 532105345 | Gear, Cluster, Red 1st & 2nd |
| 40 | 532105346 | Gear, Reverse |
| 41 | 532008358 | Shaft, Reduction (1st) |
| 42 | 532004220 | Washer, Thrust |
| 43 | 532106146 | Spacer 1.01 x 1.75 x 0.760 |
| 44 | 532009672 | Cup, Formed |
| 45 | 532102144 | Ring, Spiral |
| 46 | 532140576 | Seal, Ring, Rubber |
| 47 | 532007393 | Seal, Oil |
| 48 | 532139546 | Gearcase, R.H. w/Bearing (Includes Key No. 8) |
| 49 | 532132688 | Shaft, Tine |
| 50 | 532106147 | Chain, Roller #50-50 Pitch |
| 51 | 817580408 | Screw 1/4-20 x 1/2 |
| 52 | 873220500 | Nut, Hex 5/16-18 |
| 53 | 532122204 | Bearing Kit, Tine Shaft |
| -- | 532006066 | Grease, Plastilube #1 |

NOTE: All component dimensions given in U.S. inches.
 1 inch = 25.4 mm

TILLER - - MODEL NO. CRT35 (954001252B)

TINE SHIELD



| KEY NO. | PART NO. | DESCRIPTION | KEY NO. | PART NO. | DESCRIPTION |
|---------|-----------|-----------------------------------|---------|-----------|-------------------------------------|
| 1 | 898000129 | Nut, Flange 5/16-18 | 17 | 810040400 | Washer, Lock 1/4 |
| 2 | 532125012 | Shield, Side, Outer L. H. | 18 | 872040410 | Bolt, Carriage 1/4-20 x 1-1/4 Gr. 5 |
| 3 | 532008393 | Pin, Stake, Depth | 19 | 532102701 | Grip |
| 4 | 812000036 | Ring, Klip | 20 | 873220600 | Nut, Hex 3/8-16 |
| 5 | 872140506 | Bolt, Carriage 5/16-18 x 3/4 Gr 5 | 21 | 532144437 | Stake, Depth |
| 6 | 532008394 | Spring | 22 | 874930632 | Bolt, Hex 3/8-16 x 2 |
| 7 | 532008392 | Bracket, Latch | 23 | 532004440 | Hinge |
| 8 | 532109230 | Spring, Depth Stake | 24 | 872140404 | Bolt, Carriage 1/4-20 x 1/2 Gr. 5 |
| 9 | 532138863 | Shield, Tine | 25 | 532124717 | Cap, Vinyl |
| 10 | 532125013 | Shield, Side | 26 | 532109227 | Pad, Idler |
| 11 | 873220500 | Nut, Hex 5/16-18 | 27 | 532125451 | Shield, Leveling |
| 12 | 810040500 | Washer, Lock 5/16 | 28 | 532120588 | Pin, Hinge |
| 13 | 872110510 | Bolt, Carriage 5/16-18 x 1-1/4 | | | |
| 14 | 532124343 | Bracket, Shield Tine | | | |
| 15 | 532125015 | Shield, Side, Outer R.H. | | | |
| 16 | 873220400 | Nut, Hex 1/4-20 | | | |

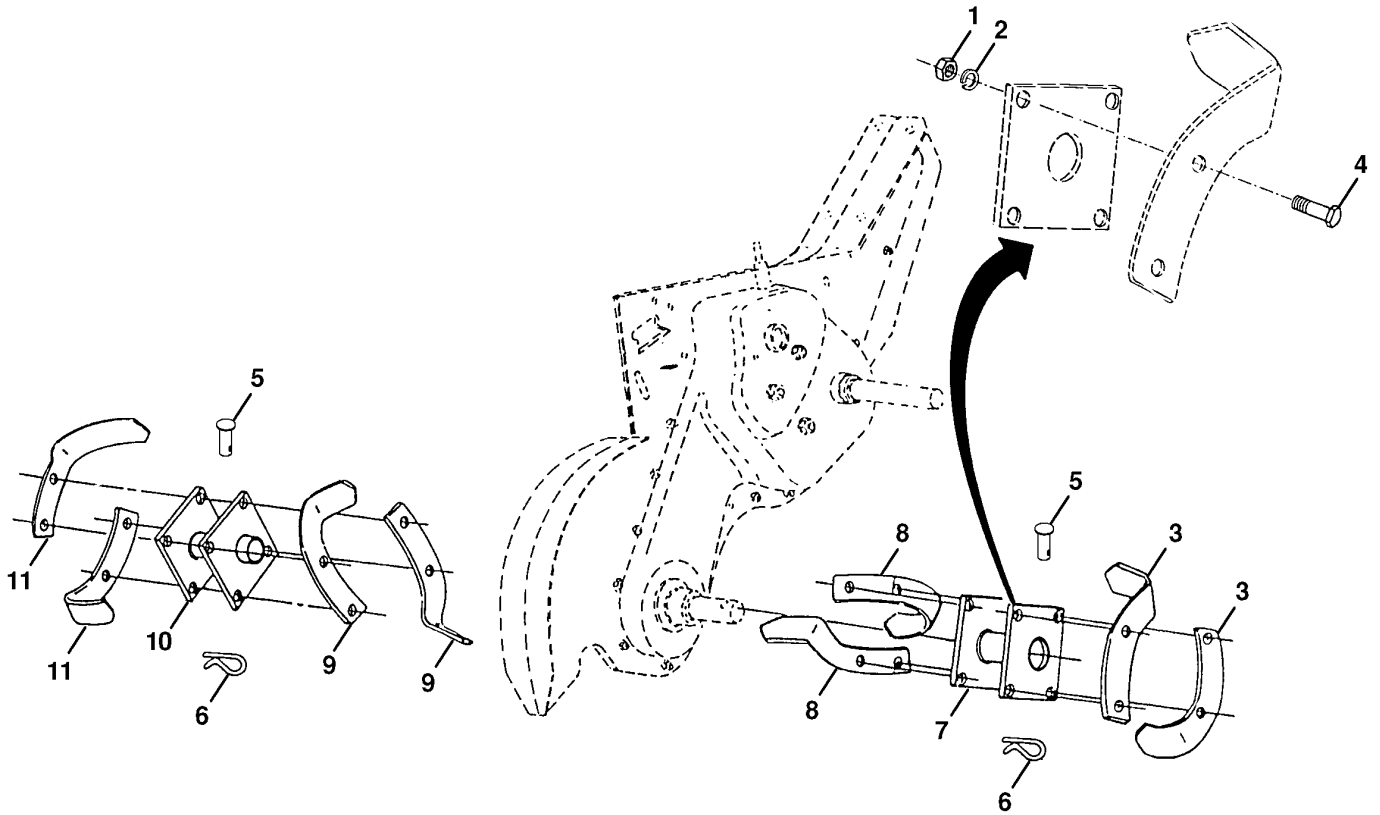
NOTE: All component dimensions given in U.S. inches.
 1 inch = 25.4 mm

For Husqvarna Parts Call 606-678-9623 or 606-561-4983

REPAIR PARTS

TILLER - - MODEL NO. CRT35 (954001252B)

TINES



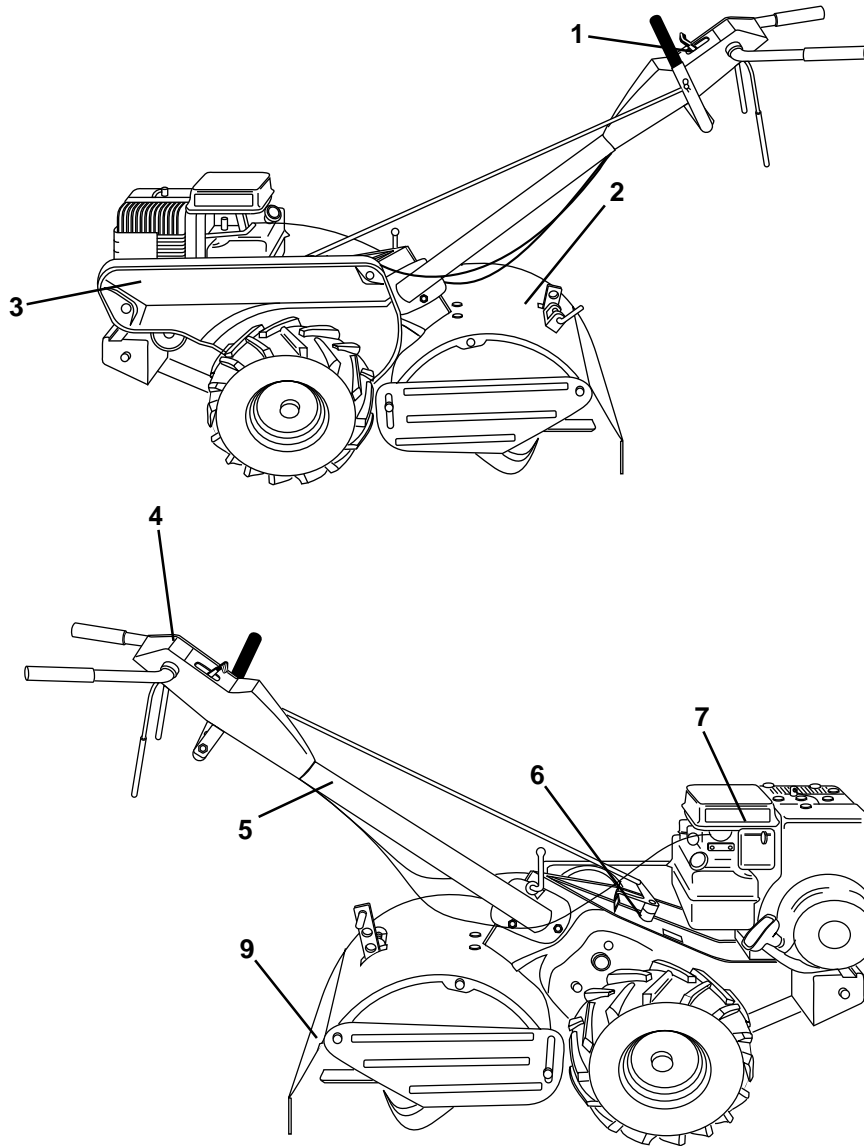
| KEY NO. | PART NO. | DESCRIPTION |
|---------|-----------|----------------------|
| 1 | 873610600 | Nut, Hex 3/8-24 |
| 2 | 810040600 | Washer, Lock 3/8 |
| 3 | 532004460 | Tine, Outer, R.H. |
| 4 | 874610616 | Bolt, Hex 3/8-24 x 1 |
| 5 | 532132673 | Pin, Shear |
| 6 | 532124660 | Clip, Hairpin |

| KEY NO. | PART NO. | DESCRIPTION |
|---------|-----------|-------------------------------|
| 7 | 532132722 | Assembly, Hub and Plate, R.H. |
| 8 | 532006555 | Tine, Inner, R.H. |
| 9 | 532006554 | Tine, Inner, L.H. |
| 10 | 532132721 | Assembly, Hub and Plate, L.H. |
| 11 | 532004459 | Tine, Outer, L.H. |

NOTE: All component dimensions given in U.S. inches.
1 inch = 25.4 mm

TILLER - - MODEL NO. CRT35 (954001252B)

DECALS



| NO. DE REF. | NO. DE PIECE | DESCRIPTION |
|-------------------|--------------------|--------------------------------|
| 1 | 532137806 | Decal, Logo |
| 2 | 532124263 | Decal, Logo |
| 3 | 532137663 | Decal, Logo |
| 4 | 532136942 | Decal, Instruction, Tilling |
| 5 | 532110614 | Decal, Hand Placement |
| 6 | 532104323 | Decal, Shift Indicator |
| 7 | 532110612 | Decal, Caution |
| 9 | 532120076 | Decal, Warning, Rotating Tines |
| -- | 532149508 | Manual Owner's (English) |
| -- | 532149509 | Manual Owner's (French) |